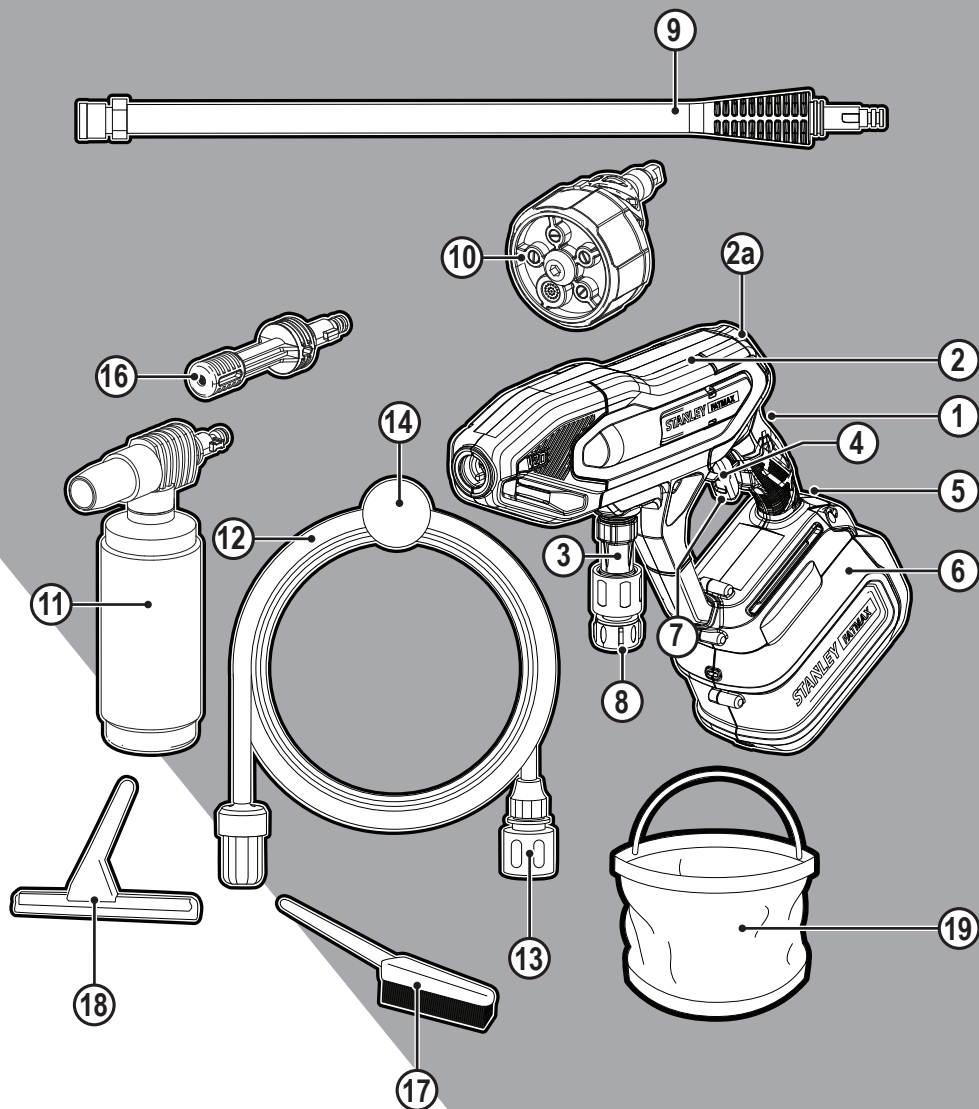


STANLEY®

FATMAX®

V20

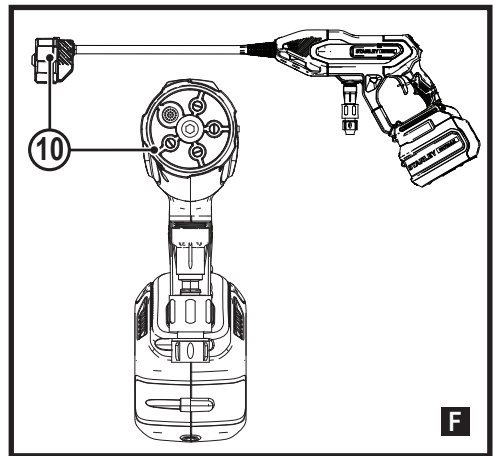
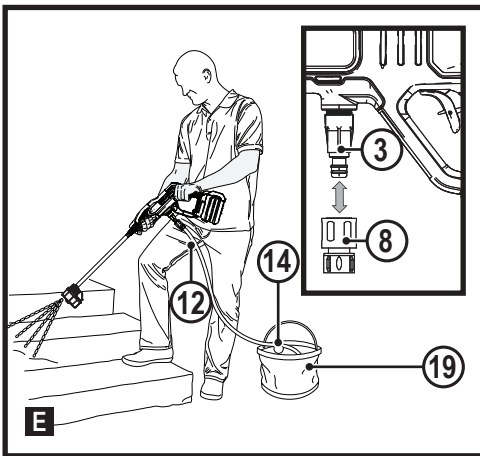
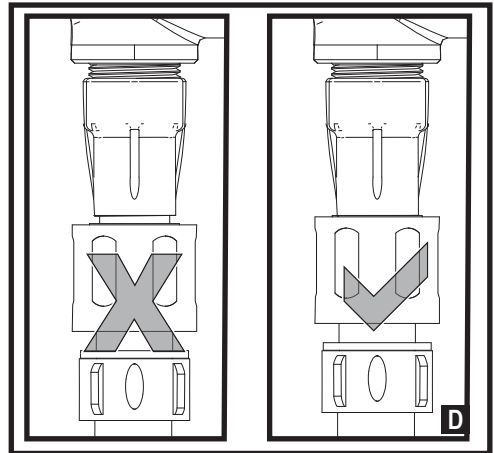
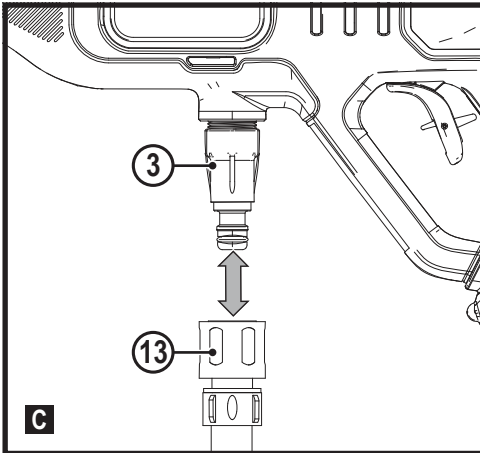
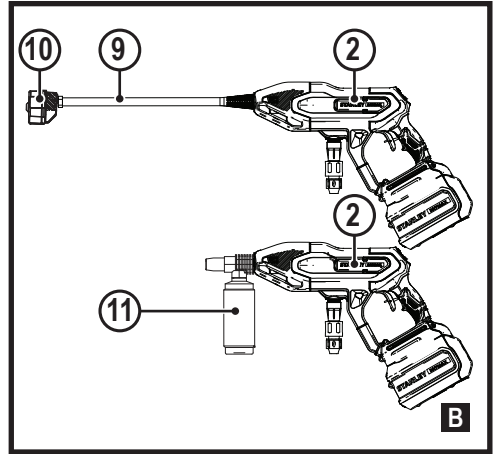
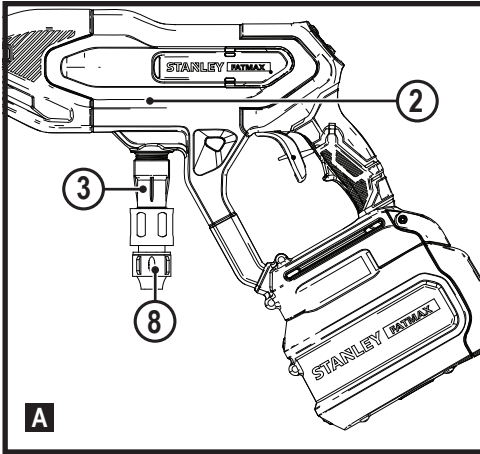
LITHIUM ION

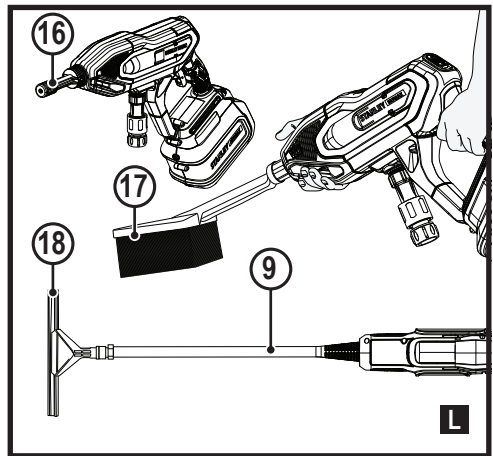
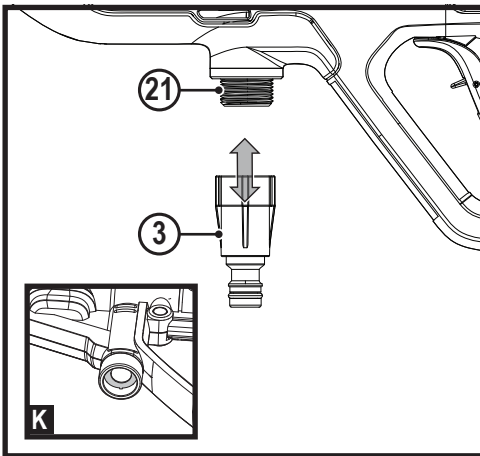
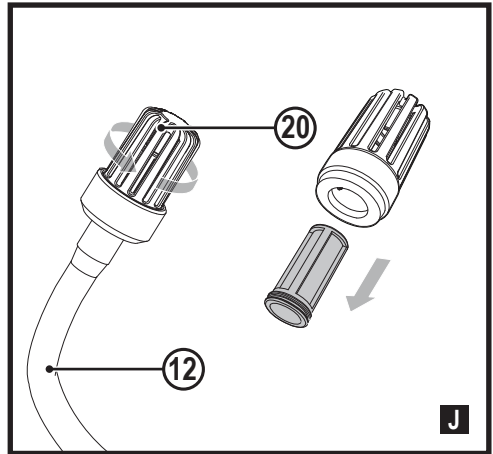
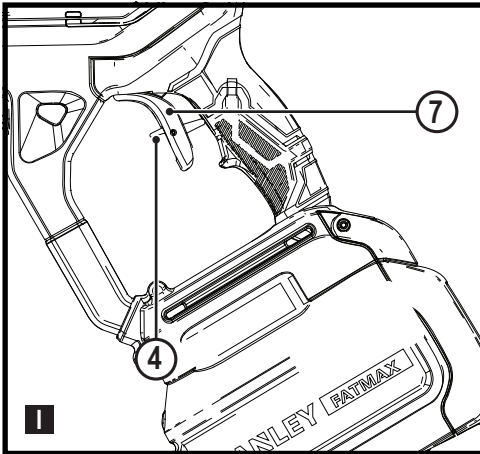
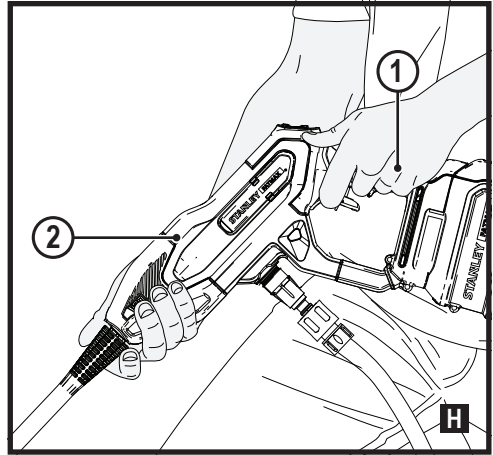
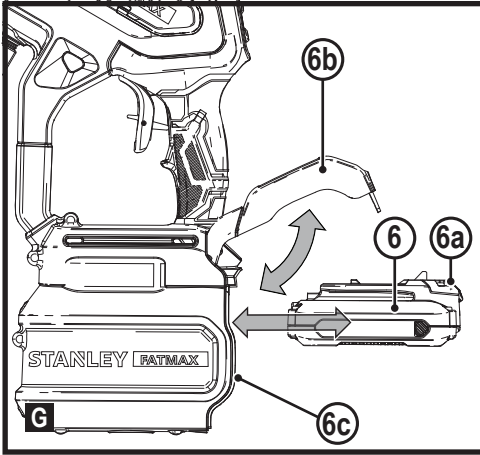


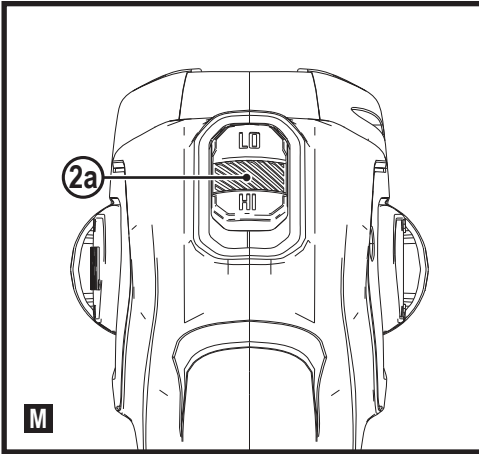
English (**original instructions**) 5

Русский (*перевод с оригинала инструкции*) 15

Українська (*переклад з оригінальної інструкції*) 30







Water flowing through a system separator is considered not drinkable.

- ◆ Read all of this manual carefully before operating the appliance.
- ◆ The intended use is described in this manual. The use of any accessory or attachment or the performance of any operation with this appliance other than those recommended in this instruction manual may present a risk of personal injury.
- ◆ Retain this manual for future reference.

Intended use

Your STANLEY FATMAX SFMPC93 Pressure Cleaner has been designed for cleaning boats, cars, decks, driveways, grills, house siding, motorcycles, patios, and outdoor furniture. These appliances are intended for consumer use only.

Safety instructions

Warning! When using mains-powered/cordless appliances, basic safety precautions, including the following, should always be followed to reduce the risk of fire, electric shock, personal injury and material damage.



Never direct the water jet at people, animals, the machine or electric

components.

Warning! High pressure jets can be dangerous if subject to misuse.



According to the applicable regulations, the appliance must never be used on the drinking water network without a system separator. Use a separator as per IEC 61770 Type BA.

Using your appliance

Always take care when using the appliance.

- ◆ The liquid or steam must not be directed towards equipment containing electrical components, such as the interior of ovens.
- ◆ The appliance is not to be used if it has been dropped, if there are visible signs of damage or if it is leaking.
- ◆ Always use safety glasses or goggles.
- ◆ Never allow children, persons with reduced physical, sensory or mental capabilities or lack of experience and knowledge or people unfamiliar with these instructions to use the machine, local regulations may restrict the age of the operator. Never operate the machine while people, especially children, or pets are nearby.
- ◆ Do not allow children or animals to come near the work area or to touch the appliance or power supply cord.

- ◆ Close supervision is necessary when the appliance is used near children.
- ◆ This appliance is not intended for use by young or infirm persons without supervision.
- ◆ This appliance is not to be used as a toy.
- ◆ Only use the appliance in daylight or good artificial light.
- ◆ Use in a dry location only. Do not allow the appliance to become wet.
- ◆ Avoid using the appliance in bad weather conditions, especially when there is a risk of lightning.
- ◆ Do not immerse the appliance in water.
- ◆ Do not open the body casing. There are not user-serviceable parts inside.
- ◆ Do not operate the appliance in explosive atmospheres, such as in the presence of flammable liquids, gases or dust.
- ◆ The appliance is only to be used with the power supply unit provided with the appliance.
- ◆ Injuries caused when changing any parts, blades or accessories.
- ◆ Injuries caused by prolonged use of a tool. When using any tool for prolonged periods ensure you take regular breaks.
- ◆ Impairment of hearing.
- ◆ Health hazards caused by breathing dust developed when using your tool (example:- working with wood, especially oak, beech and MDF.)

After use

- ◆ When not in use, the appliance should be stored in a dry, well ventilated place out of reach of children.
- ◆ Children should not have access to stored appliances.
- ◆ When the appliance is stored or transported in a vehicle it should be placed in the boot or restrained to prevent movement following sudden changes in speed or direction.

Inspection and repairs

- ◆ Before use, check the appliance for damaged or defective parts. Check for breakage of parts and any other conditions that may affect its operation.
- ◆ Do not use the appliance if any part is damaged or defective.
- ◆ Have any damaged or defective parts repaired or replaced by an authorised repair agent.
- ◆ Never attempt to remove or replace any parts other than those specified in this manual.

Residual risks.

Additional residual risks may arise when using the tool which may not be included in the enclosed safety warnings.

These risks can arise from misuse, prolonged use etc.

Even with the application of the relevant safety regulations and the implementation of safety devices, certain residual risks can not be avoided.

These include:

- ◆ Injuries caused by touching any rotating/moving parts.

Additional safety instructions for pressure cleaners

The intended use is described in this manual. The use of any accessory or attachment or performance of any operation with this appliance other than those recommended in this instruction manual can present a risk of personal injury and/or damage to property.

- ◆ To protect your feet and legs while operating the appliance, always wear heavy duty footwear and long trousers.
- ◆ Always switch off your product, allow the fan to stop and remove the battery when:
 - ◆ You leave your product unattended.
 - ◆ Clearing a blockage.
 - ◆ Checking, adjusting, cleaning or working on your product.
 - ◆ If the appliance starts to vibrate abnormally.
 - ◆ Do not place the inlet or outlet of the pressure cleaner near eyes or ears when operating. Never point in the direction of bystanders.
 - ◆ Do not use in the rain or leave outdoors while it is raining.
 - ◆ Do not cross gravel paths or roads whilst your product is switched on. Walk, never run.
 - ◆ Do not place your unit down on gravel while it is switched on.
 - ◆ Always be sure of your footing, particularly on slopes. Do not overreach and keep your balance at all times.

- ◆ Do not place any objects into the openings. Never use if the openings are blocked - keep free of hair, lint, dust and anything that may reduce the airflow.

Warning! Always use your product in the manner outlined in this manual.

Your product is designed to be used in an upright mode and if it is used in any other way it may result in injury. Never run your product whilst lying on it's side or upside down.

- ◆ The operator or user is responsible for accidents or hazards occurring to other people or their property.
- ◆ Do not use solvents or cleaning fluids to clean your product. Use a blunt scraper to remove grass and dirt.
- ◆ Check the collection bag frequently for wear or deterioration.
- ◆ Replacement fans are available from a STANLEY FATMAX service agent. Use on STANLEY FATMAX recommended spare parts and accessories.
- ◆ Keep all nuts bolts and screws tight to make sure that the appliance is in a safe working condition.

Safety of others

- ◆ This appliance is not intended for use by persons (including children) with reduced physical, sensory or mental capabilities, or lack of experience and knowledge, unless they have been given supervision or instruction concerning use of the appliance by a person responsible for their safety.

- ◆ Children should be supervised to ensure that they do not play with the appliance.

Additional safety instructions for batteries and chargers

Batteries

- ◆ Never attempt to open for any reason.
- ◆ Do not expose the battery to water.
- ◆ Do not store in locations where the temperature may exceed 40 °C.
- ◆ Charge only at ambient temperatures between 10 °C and 40 °C.
- ◆ Charge only using the charger provided with the tool.
- ◆ When disposing of batteries, follow the instructions given in the section "Protecting the environment".

Chargers

- ◆ Use your STANLEY FATMAX charger only to charge the battery in the tool with which it was supplied. Other batteries could burst, causing personal injury and damage.
- ◆ Never attempt to charge non-rechargeable batteries.
- ◆ Have defective cords replaced immediately.
- ◆ Do not expose the charger to water.
- ◆ Do not open the charger.
- ◆ Do not probe the charger.



The charger is intended for indoor use only.



Read the instruction manual before use.

Electrical safety



Your charger is double insulated; therefore no earth wire is required. Always check that the mains voltage corresponds to the voltage on the rating plate. Never attempt to replace the charger unit with a regular mains plug.

- ◆ If the supply cord is damaged, it must be replaced by the manufacturer or an authorised STANLEY FATMAX Service Centre in order to avoid a hazard.

Labels on appliance

The following warning symbols are found on the appliance along with the date code:



Read the manual prior to operation.



Wear safety glasses or goggles when operating this appliance.



Wear suitable ear protectors when operating this appliance.



Always remove the battery from the appliance before performing any cleaning or maintenance.



Do not expose the appliance to rain or high humidity.



Directive 2000/14/EC guaranteed sound power.

Features

This appliance includes some or all of the following features.

1. Main handle
2. Pressure Cleaner unit
3. Water intake
4. Trigger Lock
5. Battery pack release button
6. Battery pack (included with SFMCPD93D1)
7. On/Off trigger
8. Quick connect filter (included)
9. Pressure Cleaner Quick Connect wand (included STZQDW1)

10. 5in1 Nozzle (included STZ5N1)
11. Soap bottle (included STZSBSK3: Cleaning KIT)
12. Suction hose (included STZIHK2)
13. Quick connect hose connector (included STZIHK2)
14. Float ball (included STZIHK2)
15. Garden hose adapter (included)
16. Short Wand (accessory STZSW1)
17. Brush (included STZSBSK3: Cleaning KIT)
18. Squeegee (accessory STZSBSK3: Cleaning KIT)
19. Bucket (included STZB1)

Charging a battery

STANLEY FATMAX chargers are designed to charge STANLEY FATMAX battery packs.

- ◆ Plug the charger into an appropriate outlet.
- ◆ Insert and fully seat battery pack. Green charging light will continuously blink while charging.
- ◆ Charging is complete when the green charging light remains continuously ON. Battery pack can be left in charger or removed.
- ◆ Recharge discharged batteries as soon as possible after use or battery life may be greatly diminished.
For longest battery life, do not discharge batteries fully. It is recommended that the batteries be recharged after each use.

Charger diagnostics

This charger is designed to detect certain problems that can arise with the battery packs or the power source. Problems are indicated by one LED flashing in different patterns.

Bad battery

The charger can detect a weak or damaged battery. The LED flashes in the pattern indicated on the label. If you see this bad battery blink pattern, do not continue to charge the battery. Return it to a service center or a collection site for recycling.

Hot/cold pack delay

When the charger detects a battery that is excessively hot or excessively cold, it automatically starts a Hot/Cold Pack Delay, suspending charging until the battery has normalized. After this happens, the charger automatically switches to the Pack Charging mode. This feature ensures maximum battery life. The light flashes in the pattern indicated on the label.

Leaving the battery in the charger

The charger and battery pack can be left connected with the LED glowing indefinitely. The charger will keep the battery pack fresh and fully charged.

This charger features an automatic tune-up mode which equals or balances the individual cells in the battery pack to allow it to function at peak capacity.

Battery packs should be tuned up weekly or whenever the battery no longer delivers the same amount of work. To use the automatic tune-up mode, place the battery pack in the charger and leave it for at least 8 hours.

Important charging notes

- ◆ Longest life and best performance can be obtained if the battery pack is charged when the air temperature is between 18 ° – 24 °C. DO NOT charge the battery pack in an air temperature below +4.5 °C, or above +40 °C. This is important and will prevent serious damage to the battery pack.
- ◆ The charger and battery pack may become warm to the touch while charging. This is a normal condition, and does not indicate a problem.
To facilitate the cooling of the battery pack after use, avoid placing the charger or battery pack in a warm environment such as in a metal shed or an uninsulated trailer.
- ◆ If the battery pack does not charge properly:
 - ◆ Check operation of receptacle by plugging in a lamp or other appliance;
 - ◆ Check to see if receptacle is connected to a light switch which turns power off when you turn out the lights;
 - ◆ Move the charger and battery pack to a location where the surrounding air temperature is approximately 18 ° – 24 °C;
 - ◆ If charging problems persist, take the tool, battery pack and charger to your local service center.
 - ◆ The battery pack should be recharged when it fails to produce sufficient power on jobs which were easily done previously. DO NOT CONTINUE to use under these conditions. Follow the charging procedure. You may also charge a partially used pack whenever you desire with no adverse effect on the battery pack.
- ◆ Foreign materials of a conductive nature such as, but not limited to, grinding dust, metal chips, steel wool, aluminum foil, or any buildup of metallic particles should be kept away from charger cavities. Unplug the charger before attempting to clean.
- ◆ Do not freeze or immerse the charger in water or any other liquid.

To install battery pack (fig. G)

Note: For best results, make sure your battery pack (6) is fully charged.

- ◆ Lift and hold the battery port cover (6b) up to expose the battery port (6c).
- ◆ Align the battery pack with the rails inside the tool's battery port (6c) and slide it into the battery port until the battery pack is firmly seated in the tool and ensure that it does not disengage.

- ◆ Close the battery port cover (6b). Ensure the cover is fully latched into position before starting the tool.

To remove battery pack (fig. G)

- ◆ Lift and hold the battery port cover (6b) up to expose the battery pack (6).
- ◆ Press the battery release button (6a) on the battery pack (6) and firmly pull the battery pack out of tool.
- ◆ Insert the battery into the charger as described in the charger section of this manual.

Assembly

Warning! To reduce the risk of serious personal injury, turn unit off and remove the battery pack before making any adjustments or removing/installing attachments or accessories. An accidental start-up can cause injury.

Attaching quick connect filter (Fig. A)

This pressure cleaner must be used with the quick connect adapters. The garden or suction hose can only be attached when the quick connect filter (8) is installed.

- ◆ To connect the quick connect filter (8) to the pressure cleaner (2), place the end of the quick connect filter onto the water intake (3). Tighten the quick connect filter by hand.

Note: Avoid cross threading when installing the hose. Cross threading will cause leaks.

To attach the spray wands, soap bottle or other attachment (Fig. B)

The spray wand, soap bottle and other attachments (sold separately) connect to the pressure cleaner. To connect the spray wands (9) (16) and soap bottle (11) to the pressure cleaner (2):

- ◆ Insert the end of the attachment into the opening on the pressure cleaner (2). Push in and turn the attachment clockwise until its secured into working position.
- ◆ To remove the attachment, push in and turn the attachment counterclockwise and pull from the pressure cleaner (2).

Note: Other accessories are available for use with this pressure cleaner, refer to the Accessories section.

To attach the garden or suction hose (Fig. C, D)

Connecting the garden hose or suction hose will depend on the job to be performed.

To attach garden hose (Fig. C)

This pressure cleaner must be used with the quick connect adapters.

- ◆ To connect the quick connect hose adapter (13) to a garden hose, thread the quick connect hose adapter onto the end of the garden hose. Tighten the garden hose by hand.

Note: Avoid cross threading when installing the hose. Cross threading will cause leaks.

Note: Before connecting the garden hose to the pressure cleaner, run water through the garden hose for thirty seconds to clear any debris from the mouth of the garden pressure hose.

- ◆ To connect the quick connect hose adapter (16) to the quick connect filter (3) on the pressure cleaner (2), push the quick connect hose adapter firmly onto the quick connect filter.

Note: Before use, gently tug on the garden hose to ensure the connection is secured. Make sure the quick connect hose adapter is flush with the quick connect filter as shown in Figure D.

- ◆ Always disconnect the garden hose after usage. To disconnect, pull back the collar on the quick connect hose adapter and remove from the quick connect filter.

To attach the suction hose (Fig. C, E)

Use the suction hose to pull water from a bucket or other fresh water source.

Note: Do not use to suction soap, chemicals, dirty or corrosive liquids, such as window cleaner, plant food, fertilizers or bleach. Do not use salt water.

- ◆ To connect the quick connect hose adapter (13) on the end of the suction hose to the quick connect filter (3) on the pressure cleaner (2), push the quick connect hose adapter firmly onto the quick connect filter.

Note: Before use, gently tug on the garden hose to ensure the connection is secured. Make sure the quick connect hose adapter on the end of the suction hose is flush with the quick connect filter as shown in the Figure E inset.

- ◆ Place other end of suction hose with filter on it into container of fresh water or a fresh water source. Adjust the float on the suction hose so the filter stays covered in the liquid.
- ◆ Select the correct nozzle to be used. See How to Use the Multi-Spray Nozzle paragraph.
- ◆ After the job being performed is complete, place the suction hose into container of clean water and draw the clean water through the system to rinse.

How to attach 5in1 nozzle to spray wand

Warning! Risk of fluid injection. Do not direct discharge stream toward persons, unprotected skin, eyes or any pets or animals. Serious injury will occur.

Warning! Flying objects could cause risk of serious injury. DO NOT attempt to change nozzles while pressure cleaner is running. Turn pressure cleaner off before changing nozzles.

- ◆ To connect the nozzle (10) to the spray wand (9), pull the quick connect collar toward the spray wand and insert the nozzle.
- ◆ Release the quick connect collar to lock the nozzle in place.
- ◆ To ensure nozzle is locked into place, give the nozzle a firm tug after the quick connect collar has locked into place.

How to use spray wand (Fig. F)

A variable 5 in 1 spray nozzle (10) is supplied with this pressure cleaner.

- ◆ To adjust the pressure of the variable spray nozzle (10), twist the tip clockwise or counterclockwise for the desired flow.
 - ◆ A narrow spray is good for cleaning grills, driveways, sidewalks and brick work.
 - ◆ A wide spray is good for cleaning decking, vinyl, painted surfaces, auto/rv and stucco.

Note: The high pressure spray from your pressure cleaner is capable of causing damage to surfaces such as wood, glass, automobile paint, auto striping and trim, and delicate objects such as flowers and shrubs. Before spraying, check the item to be cleaned to assure yourself that it is strong enough to resist damage from the force of the spray.

Proper hand position (Fig. H)

Warning! To reduce the risk of serious personal injury, ALWAYS use proper hand position as shown.

Warning! To reduce the risk of serious personal injury, ALWAYS hold securely in anticipation of a sudden reaction. Proper hand position requires one hand on the main handle (1) and the other hand on the pressure cleaner's (2) body as shown.

Pressure cleaning

Preparing surface for cleaning

- ◆ Remove objects from the area which could create a hazard.
- ◆ Ensure that all doors and windows are closed tight. Protect all plants and trees in the adjacent area with a drop cloth ensuring that they will not be harmed by any overspray.
- ◆ Pre-rinse cleaning area with fresh water.
- ◆ Use only detergents formulated for pressure washers.
- ◆ Always test detergent in an inconspicuous area before use.

Preparing pressure cleaner unit for use

Warning! Risk of fluid injection and laceration. When using the high-pressure setting, DO NOT allow the high-pressure spray to come in contact with unprotected skin, eyes, or with any pets or animals. Serious injury will occur.

Warning! Before operation:

- ◆ Connect the water supply to the pressure cleaner. For instructions on connecting the water supply to the pressure cleaner, please refer to Attaching Garden or Suction Hose under Assembly and Adjustments.
- ◆ Connect the pressure spray wand, soap bottle, or other attachment.

For instructions on connecting the pressure spray wand, please refer to To Attach the Spray Wand, Soap Bottle or other Attachment under Assembly and Adjustments.

Preparing pressure cleaner

Important: Disengage the trigger lock-off (4), squeeze the trigger (7) and hold the trigger for 30 seconds to purge the system of air. If air is still found in the water stream, continue to run water through the spray handle.

- ◆ Disengage the trigger lock-off (4).
- ◆ Squeeze the trigger (7).

Cleaning a surface

Warning! Risk of injury from spray. Always engage the trigger lock when gun is not in use. Failure to do so could cause accidental spraying.

- ◆ To start the pressure cleaner, disengage the trigger lock-off (4) and squeeze the trigger (7).

Note: The best angle for spraying water against a cleaning surface is 45°. Spraying head on tends to cause dirt particles to embed in the surface. When working on vertical surfaces, it is best to apply detergent starting at the bottom and working upwards which will prevent the detergent from sliding down and causing streaks.

- ◆ To stop the pressure cleaner, release the trigger.

Note: Excessive pump pressure may be the result of a clogged nozzle or brass coupling.

Always turn off the pressure cleaner and remove the battery before attempting to unclog a nozzle or brass coupler.

Warning! Never draw from water that contains chemicals. Only draw from fresh water sources.

Shutdown

- ◆ To stop the pressure cleaner, release the trigger and remove the battery.
- ◆ Turn off water at the faucet.
- ◆ Discharge residual pressure by squeezing the trigger (7) until no more water comes out of the spray wand (9).
- ◆ Disconnect the garden hose from the water intake (3) and drain hose.

- ◆ Remove garden hose from pressure cleaner by pulling back the collar on the quick connect hose adapter and removing it from the quick connect filter.

Maintenance

Warning! To reduce the risk of serious personal injury, turn unit off and remove the battery pack before making any adjustments or removing/installing attachments or accessories. An accidental start-up can cause injury.

Cleaning

Warning! Blow dirt and dust out of all air vents with clean, dry air at least once a week.

To minimize the risk of eye injury, always wear eye protection when performing this procedure.

Warning! Never use solvents or other harsh chemicals for cleaning the non-metallic parts of the tool. These chemicals may weaken the plastic materials used in these parts. Use a cloth dampened only with water and mild soap. Never let any liquid get inside the tool; never immerse any part of the tool into a liquid.

Nozzle

If the nozzle becomes clogged with foreign materials, such as dirt, excessive pressure may develop.

If the nozzle becomes partially clogged or restricted, the pump pressure will pulsate. Clean the nozzle immediately.

- ◆ Shut off the pressure cleaner (2) and turn off the water supply.
- ◆ Pull trigger (7) on main handle (1) to relieve any water pressure.
- ◆ Remove the nozzle from the spray wand (9) by pulling the quick connect collar (10) toward the spray wand.
- ◆ Unclog any debris from the nozzle.
- ◆ Run water from a faucet or garden hose through the nozzle.

Soap bottle

- ◆ To clean the soap bottle, shut off the pressure cleaner and turn off the water supply.
- ◆ Pull trigger on gun handle to relieve any water pressure.
- ◆ Decouple the soap bottle (11) from the pressure cleaner and unscrew the soap bottle nozzle.
- ◆ To clean the soap bottle (11), empty any remaining detergent back into its container. Use water from a garden hose to thoroughly rinse out the bottle. Empty the bottle and allow it to dry.
- ◆ Reinstall soap bottle nozzle to the soap bottle.

Suction hose

- ◆ To clean the suction hose (12), shut off the pressure cleaner.
- ◆ Pull trigger switch to relieve any water pressure.

- ◆ Decouple the suction hose (12) from the pressure cleaner.
- ◆ To clean the suction hose, use water from a garden hose to thoroughly rinse out the suction hose and allow it to dry.

Suction hose filter (Fig. J)

- ◆ Turn the filter (20) on the end of the suction hose (12) counterclockwise and remove. Remove the strainer from inside of the filter. Rinse all of the parts with clean water and reassemble.

Quick connect filter (Fig. K)

- ◆ Pull back the collar on the quick connect hose adapter and remove the garden or suction hose from the quick connect filter (8).
- ◆ Remove the quick connect filter from the pressure cleaner.
- ◆ Inside the quick connect filter (8) is a screen filter (22). Remove the screen filter and rinse with clean water and reassemble.

Speed Selector (Fig. M)

This power cleaner gives you the choice to operate at a lower pressure for more delicate jobs, or accelerate the power cleaner speed for high-performance cleaning.

To accelerate, pull the speed selector (2a) back toward the main handle (1) into the "HI" position. This mode is best for applications that need higher PSI.

For lower pressure, push the speed selector forward toward the spray wand (8) into the "LO" position. This mode is best for larger projects that require more time to complete.

Note: When in "HI" mode, runtime will be decreased as compared to when pressure cleaner is in "LO" mode.

Storage

- ◆ Always completely empty water from the suction hose, pressure cleaner, spray wand, nozzles, and soap bottle.
- ◆ Store in a dry, covered location above freezing temperature. STORE IN DOORS.

Accessories

Warning! Since accessories, other than those offered by STANLEY FATMAX, have not been tested with this product, use of such accessories with this tool could be hazardous. To reduce the risk of injury, only STANLEY FATMAX recommended accessories should be used with this product. Recommended accessories for use with your tool are available at extra cost from your local dealer or authorized service center. If you need assistance in locating any accessory, please contact www.blackanddecker.co.uk.

STZHK2: SFM Inlet Hose, hose adaptor KIT

STZBSK3: SFM Cleaning KIT (Brush, Squeegee, Soap Bottle)

STZSW1: SFM Short Wand

STZ5N1: SFM 5in1 nozzle
 STZB1: SFM Bucket
 STZQDW: SFM Quick Detach Wand

EC declaration of conformity

MACHINERY DIRECTIVE
 OUTDOOR NOISE DIRECTIVE



SFMCPC93 Pressure Cleaner

Protecting the environment



Separate collection. Products and batteries marked with this symbol must not be disposed of with normal household waste.

Products and batteries contain materials that can be recovered or recycled reducing the demand for raw materials. Please recycle electrical products and batteries according to local provisions.

Technical data

		SFMCPC93
Pressure	(BAR)	24
Water flow	(l/h)	120
Battery	DC	18V
Inlet Hose		6m
Pressure of Inlet Water	(BAR)	1.4 - 6.9
Inlet water		Cold tap0
Soap Consumption Rate		10% MAX

Charger		SFMCB12
Input Voltage	V _{ac}	230
Output Voltage	V _{dc}	18
Current	A	2

Battery		SFMCB202	SFMCB204	SFMCB206
Voltage	V _{dc}	18	18	18
Capacity	Ah	2.0	4.0	6.0
Type		Li-Ion	Li-Ion	Li-Ion

Emission sound pressure level L_{PA}: 76,0 dB(A)

Uncertainty K= 3 dB(A)

Measured sound power level L_{WA}: 86,0 dB(A)

Uncertainty K= 2,9 dB(A);

Stanley Fatmax declares that these products described under "technical data" are in compliance with:

2000/14/EC, Annex V

LWA (measured sound power level) 86 dB(A),

uncertainty (K) = 2,9 dB (A),

LWA (guaranteed sound power) 96 dB(A).

The undersigned is responsible for compilation of the technical file and makes this declaration on behalf of Stanley Fatmax.

Patrick Diepenbach

Patrick Diepenbach
 General Manager, Benelux
 Stanley,
 Egide Walschaertsstraat 14-18
 2800 Mechelen, Belgium
 15.06.2021

**Declaration of conformity
The Supply of Machinery (Safety)
Regulations 2008**



SFMCPC93 Pressure Cleaner

Stanley Fatmax declares that these products described under "technical data" are in compliance with:

2000/14/EC, Annex V

LWA (measured sound power level) 86 dB(A),
uncertainty (K) = 2,9 dB (A),

LWA (guaranteed sound power) 96 dB(A).

The undersigned is responsible for compilation of the technical file and makes this declaration on behalf of StanleyFatmax.

A handwritten signature in black ink, appearing to read 'Karl Evans', with a long horizontal flourish extending to the right.

Karl Evans
Vice President Professional Power Tools EANZ GTS
Stanley UK,
270 Bath Road, Slough
Berkshire SL1 4DX
England
15.06.2021

Guarantee

Stanley Fat Max is confident of the quality of its products and offers consumers a 12 month guarantee from the date of purchase. This guarantee is in addition to and in no way prejudices your statutory rights.

The guarantee is valid within the territories of the Member States of the European Union and the European Free Trade Area.

To claim on the guarantee, the claim must be in accordance with Stanley Fat Max Terms and Conditions and you will need to submit proof of purchase to the seller or an authorised repair agent. Terms and conditions of the Stanley Fat Max 1 year guarantee and the location of your nearest authorised repair agent can be obtained on the Internet at www.2helpU.com, or by contacting your local Stanley Fat Max office at the address indicated in this manual.

Please visit our website www.stanley.eu/3 to register your new Stanley Fat Max product and receive updates on new products and special offers.

Назначение

Данный очиститель высокого давления STANLEY FATMAX SFMCPC93 предназначена для чистки лодок, автомобилей, палуб, подъездных дорог, решеток, обшивки зданий, мотоциклов, террас и уличной мебели. Данный инструмент предназначен только для бытового использования.

Правила техники безопасности

Внимание! При использовании электрических/аккумуляторных инструментов соблюдение правил по технике безопасности и следование данным инструкциям позволит снизить вероятность возникновения пожара, поражения электрическим током, получения травм и повреждения личного имущества.



Запрещается направлять водяную струю на людей, животных, инструмент и электрические компоненты.

Внимание! Струи под высоким давлением могут представлять опасность при неправильном использовании.



Согласно соответствующему законодательству, инструмент запрещается использовать вместе с системами подачи питьевой воды без устройства предотвращения противотока. Используйте устройство предотвращения противотока согласно IEC 61770, тип VA.

Вода, поступающая через устройство предотвращения противотока, считается непригодной для питья.

- ◆ Прежде чем приступить к работе с устройством, внимательно прочтите настоящее руководство.
- ◆ В данном руководстве по эксплуатации описывается назначение инструмента. Использование каких-либо принадлежностей или насадок, а также выполнение каких-либо операций, отличных от рекомендованных в данном руководстве, может привести к травмам.
- ◆ Сохраните данное руководство для справки в будущем.

Использование инструмента

Сохраняйте бдительность при использовании инструмента.

- ◆ Не направляйте жидкость или пар на инструменты, содержащие электрические компоненты, например, внутрь духовки.
- ◆ Не используйте инструмент, если его роняли, или на нем присутствуют видимые признаки повреждений или протечек.
- ◆ При работе всегда надевайте защитные очки.
- ◆ Не разрешайте пользоваться этим инструментом детям, людям с ограниченными физическими и психическими возможностями или тем, у кого нет опыта работы с такого рода инструментами. Действующее законодательство может ограничивать возраст оператора. Не используйте инструмент, если рядом присутствуют посторонние, особенно дети, или домашние животные.

- ◆ Не позволяйте детям или животным находиться поблизости от места выполнения работ или прикасаться к кабелю питания.
- ◆ При работе рядом с детьми необходимо особое внимание.
- ◆ Данный инструмент не предназначен для использования несовершеннолетними или лицами с ограниченными возможностями, если они не находятся под присмотром.
- ◆ Инструмент не предназначен для игры.
- ◆ Используйте инструмент только днем или при хорошем искусственном освещении.
- ◆ Используйте только в сухом месте. Не допускайте попадания влаги в инструмент.
- ◆ Избегайте работы с инструментом в плохих погодных условиях, особенно при риске удара молнии.
- ◆ Не погружайте инструмент в воду.
- ◆ Запрещается вскрывать корпус. Внутри устройства нет деталей, обслуживаемых пользователем.
- ◆ Не используйте инструмент во взрывоопасной среде, например, при наличии горючих жидкостей, газов или пыли.
- ◆ Инструмент предназначен для использования только с источником питания, поставляемым вместе с инструментом.

Остаточные риски.

При работе с инструментом возможно возникновение дополнительных

остаточных рисков, которые не вошли в описанные здесь правила техники безопасности.

Эти риски могут возникнуть при неправильном или продолжительном использовании изделия и т. п. Несмотря на соблюдение соответствующих инструкций по технике безопасности и использование предохранительных устройств, некоторые остаточные риски невозможно полностью исключить.

К ним относятся:

- ◆ Травмы в результате касания вращающихся/движущихся частей.
- ◆ Травмы, которые могут произойти в результате смены деталей, пыльных полотен или дополнительных принадлежностей.
- ◆ Травмы, связанные с продолжительным использованием инструмента. При использовании любого инструмента в течение продолжительного периода времени не забывайте делать перерывы.
- ◆ Ухудшение слуха.
- ◆ Ущерб здоровью в результате вдыхания пыли в процессе работы инструментом (например, при обработке древесины, в особенности, дуба, бука и МДФ.)

После использования

- ◆ Если инструмент не используется, его следует хранить в сухом, хорошо проветриваемом помещении, недоступном для детей.

- ♦ Дети не должны иметь доступа к помещенным на хранение инструментам.
- ♦ Если устройство хранится или перевозится в транспортном средстве, его следует поместить в багажник или закрепить во избежание перемещения в результате резкого изменения скорости или направления движения.

Осмотр и ремонт

- ♦ Перед началом использования, проверьте инструмент на предмет поврежденных или неисправных деталей. Проверьте наличие поломок и прочих условий, способных повлиять на его работу.
- ♦ Не используйте устройство, если какая-либо его деталь повреждена или неисправна.
- ♦ Поврежденные или неисправные детали должен исправить или заменить уполномоченный специалист по ремонту.
- ♦ Не пытайтесь снимать или заменять какие-либо компоненты, отличные от указанных в данном руководстве.

Дополнительные указания по технике безопасности при эксплуатации очистителей высокого давления

В данном руководстве по эксплуатации описывается назначение инструмента. Применение любых принадлежностей и насадок с данным инструментом, а также выполнение любых операций помимо тех, которые рекомендованы

данным руководством, может привести к травмам и/или материальному ущербу.

- ♦ Всегда носите рабочую обувь и длинные брюки для защиты ног при работе с инструментом.
- ♦ Всегда выключайте инструмент, позволяйте вентилятору остановиться и извлекайте аккумуляторную батарею, если:
- ♦ Инструмент остается без присмотра.
 - ♦ Необходимо устранить засорение.
 - ♦ Проводится проверка, регулировка, чистка или обслуживание инструмента.
 - ♦ Инструмент ненормально вибрирует.
- ♦ Не подводите входное или выходное отверстие рабочего очистителя высокого давления близко к глазам или ушам. Не направляйте инструмент в сторону окружающих.
- ♦ Не используйте и не оставляйте на открытом воздухе во время дождя.
- ♦ Не пересекайте гравийные тропки или дорожки, если инструмент включен. Перемещайтесь только шагом и никогда не бегите с прибором.
- ♦ Не опускайте включенный инструмент на гравий.
- ♦ Всегда сохраняйте устойчивое положение, особенно на склонах. Не пытайтесь дотянуться до удаленных поверхностей и всегда сохраняйте равновесие.
- ♦ Не вставляйте никакие предметы в отверстия инструмента. Не исполь-

зуйте инструмент, если отверстия забиты — держите их свободными от волос, пуха, пыли и любых предметов, которые могут уменьшить поток воздуха.

Внимание! Всегда используйте инструмент так, как описано в данном руководстве по эксплуатации. Изделие предназначено для использования в вертикальном положении, в противном случае возможно получение травм. Не запускайте инструмент, если он лежит на боку или вверх ногами.

- ◆ Оператор или пользователь несет ответственность за несчастные случаи или опасности, которые создаются в отношении других лиц или их собственности.
- ◆ Не используйте растворители или чистящие жидкости для чистки изделия. Используйте тупой скребок для удаления травы и грязи.
- ◆ Регулярно проверяйте мусоросборник на предмет износа или повреждений.
- ◆ Запасные вентиляторы можно приобрести у сервисных агентов STANLEY FATMAX. Используйте с рекомендованными STANLEY FATMAX запасными частями и дополнительными принадлежностями.
- ◆ Поддерживайте все гайки и винты в затянутом состоянии, чтобы обеспечить безопасную работу инструмента.

Безопасность окружающих

- ◆ Данный инструмент не предназначен для использования лицами (включая детей) с ограниченными физическими, сенсорными или умственными способностями, а также лицами без достаточного опыта и знаний, если только они не делают этого под руководством лица имеющего соответствующий опыт и отвечающего за их безопасность.
- ◆ Не позволяйте детям играть с данным инструментом.

Дополнительные правила техники безопасности при работе с аккумуляторными батареями и зарядными устройствами

Аккумуляторные батареи

- ◆ Никогда не пытайтесь разбирать аккумуляторные батареи.
- ◆ Не подвергайте аккумуляторные батареи воздействию воды.
- ◆ Не оставляйте батареи в местах, где температура превышает 40 °С.
- ◆ Заряжайте батареи только при температуре от 10 °С до 40 °С.
- ◆ Заряжайте аккумуляторные батареи только с зарядным устройством, которое прилагается к инструменту.
- ◆ При утилизации батарей следуйте инструкциям, указанным в разделе «Защита окружающей среды».

Зарядные устройства

- ◆ Используйте зарядное устройство STANLEY FATMAX только для

зарядки аккумуляторной батареи того инструмента, с которым оно поставлялось. Использование аккумуляторных батарей другого типа может привести к взрыву, травмам и повреждениям.

- ♦ Не пытайтесь заряжать одноразовые батареи.
- ♦ Немедленно заменяйте поврежденный кабель питания.
- ♦ Не подвергайте зарядное устройство воздействию воды.
- ♦ Не вскрывайте зарядное устройство.
- ♦ Не разбирайте зарядное устройство.



Зарядное устройство можно использовать только в помещении.



Перед началом работы прочтите руководство по эксплуатации.

Электробезопасность



Ваше зарядное устройство имеет двойную изоляцию, поэтому не требует заземления. Необходимо обязательно убедиться в том, что напряжение источника питания соответствует указанному на паспортной табличке устройства. Никогда не пытайтесь заменить зарядное устройство подключением к обычной сетевой розетке.

- ♦ Во избежание несчастного случая, замена поврежденного кабеля

питания должна производиться только на заводе-изготовителе или в авторизованном сервисном центре STANLEY FATMAX.

Маркировка инструмента

Помимо кода даты, на инструменте имеются следующие предупреждающие символы:



Прочтите руководство по эксплуатации перед работой с инструментом.

При работе с инструментом, надевайте защитные очки или маску.

При работе с инструментом, надевайте защитные наушники.

Всегда извлекайте аккумуляторную батарею из инструмента перед чистой или техническим обслуживанием.



Не подвергайте инструмент воздействию дождя или высокой влажности.



Гарантированная акустическая мощность в соответствии с Директивой 2000/14/ЕС.

Составные части

Данный инструмент может содержать все или некоторые из перечисленных ниже составных частей.

1. Основная рукоятка
2. Блок очистителя высокого давления
3. Водозабор
4. Блокировка пускового выключателя
5. Отпирающая кнопка батареи
6. Аккумуляторная батарея (входит в комплект поставки SFMCPC93D1)
7. Курковый пусковой выключатель
8. Быстросъемный фильтр (входит в комплект поставки)
9. Быстросъемная штанга-пульверизатор (входит в комплект поставки STZQDW1)
10. Насадка 5-в-1 (входит в комплект поставки STZ5N1)
11. Пенообразователь (входит в комплект поставки STZSBSK3: Комплект для мойки)
12. Всасывающий шланг (входит в комплект поставки STZINK2)
13. Быстросъемный соединитель для шланга (входит в комплект поставки STZINK2)
14. Шаровой поплавок (входит в комплект поставки STZINK2)

15. Переходник для садового шланга (входит в комплект поставки)
16. Короткая штанга-пульверизатор (дополнительная принадлежность STZSW1)
17. Щетка (дополнительная принадлежность STZSBSK3: Комплект для мойки)
18. Резиновая щетка (дополнительная принадлежность STZSBSK3: Комплект для мойки)
19. Ведро (дополнительная принадлежность STZB1)

Зарядка аккумуляторной батареи

Зарядные устройства STANLEY FATMAX предназначены для зарядки аккумуляторных батарей STANLEY FATMAX.

- ◆ Вставьте вилку зарядного устройства в соответствующую розетку.
- ◆ Вставьте аккумуляторную батарею до упора. Во время зарядки будет мигать зеленый светодиодный индикатор.
- ◆ По завершении зарядки зеленый индикатор перейдет в режим непрерывного свечения. Аккумуляторную батарею можно оставить в зарядном устройстве или извлечь.
- ◆ Заряжайте разряженные аккумуляторные батареи сразу же после использования, в противном случае вы значительно сократите срок службы аккумуляторных батарей.
Для продления срока службы аккумуляторных батарей, не разряжайте аккумуляторные батареи полностью. Рекомендуется заряжать аккумуляторные батареи после каждого использования.

Диагностика зарядного устройства

Это зарядное устройство может диагностировать некоторые проблемы аккумуляторных батарей или источника питания. При обнаружении проблем начинает мигать светодиодный индикатор.

Неисправная аккумуляторная батарея

Зарядное устройство может указать на неисправность аккумуляторной батареи. Светодиодный индикатор начнет мигать, как указано на маркировке. Если вы увидите, что индикатор мигает как указано на маркировке, прекратите зарядку аккумуляторной батареи. Отнесите неисправную аккумуляторную батарею в сервисный центр или в специализированный центр для утилизации.

Температурная задержка

При слишком низкой или слишком высокой температуре аккумуляторной батареи зарядное устройство автоматически переходит в режим температурной задержки. При этом зарядка не начинается, пока температура аккумуляторной батареи не нормализуется. После того, как аккумуляторная батарея приобретет нормальную темпе-

ратуру, автоматически включается режим зарядки. Данная функция обеспечивает максимальный срок эксплуатации аккумуляторной батареи. Индикатор начнет мигать, как указано на маркировке.

Хранение аккумуляторной батареи в зарядном устройстве

Аккумуляторную батарею можно оставлять в зарядном устройстве на неопределенное время, когда горит светодиод. Зарядное устройство будет поддерживать полную зарядку аккумуляторной батареи. Данное зарядное устройство имеет режим автоматической настройки, который выравнивает или уравнивает отдельные элементы в аккумуляторной батарее, чтобы она могла работать на максимальной мощности. Аккумуляторные батареи следует настраивать еженедельно или каждый раз, когда аккумуляторная батарея больше не выполняет ту же работу. Чтобы использовать режим автоматической настройки, установите аккумуляторную батарею в зарядное устройство и оставьте не менее чем на 8 часов.

Важные замечания по зарядке

- ◆ Для достижения максимального срока службы и наилучшей производительности аккумуляторную батарею следует заряжать при температуре окружающей среды от 18 до 24 °C. ЗАПРЕЩАЕТСЯ заряжать аккумуляторную батарею при температуре воздуха ниже +4,5 °C или выше +40 °C. Это очень важно и позволит избежать серьезных повреждений аккумуляторной батареи.
- ◆ При зарядке зарядное устройство и аккумуляторные батареи могут нагреваться. Это нормальное явление, которое не является неисправностью. Чтобы остудить аккумуляторные батареи после использования, не оставляйте зарядное устройство и аккумуляторные батареи в теплом месте, например, железном ангаре или не изолированном трейлере.
- ◆ Если батарея не заряжается должным образом:
 - ◆ Проверьте рабочее состояние штепсельной розетки, подключив к ней лампу или любой другой прибор;
 - ◆ Проверьте, не подключена ли розетка к устройству, которое выключает питание, когда вы выключаете свет;
 - ◆ Переместите зарядное устройство и аккумуляторную батарею в место, где температура окружающей среды составляет приблизительно 18–24 °C;
 - ◆ Если проблемы с зарядкой сохраняются, отнесите инструмент и аккумуляторные батареи в местный сервисный центр.
 - ◆ Данную аккумуляторную батарею необходимо перезаряжать, когда она перестает обеспечивать

питание, необходимое для выполнения работ, которые ранее выполнялись без каких-либо проблем. ПРЕКРАТИТЕ ИСПОЛЬЗОВАНИЕ аккумуляторных батарей в этих случаях.

Соблюдайте правила зарядки аккумуляторной батареи. Частично разряженную аккумуляторную батарею можно зарядить в любое время без какого-либо ущерба для нее.

- ◆ Не допускайте попадания в полости зарядного устройства таких токопроводящих материалов, как шлифовальная пыль, металлическая стружка, стальные волокна, алюминиевая фольга или другие металлические частицы и т. п. Всегда отключайте зарядное устройство от сети перед тем, как приступить к чистке.
- ◆ Не замораживайте зарядное устройство и не погружайте его в воду или другие жидкости.

Установка батареи (Рис. G)

Примечание: Для достижения наилучших результатов перед использованием убедитесь, что аккумуляторная батарея (6) полностью заряжена.

- ◆ Поднимите и удерживайте крышку батарейного отсека (6b), чтобы получить доступ к батарейному отсеку (6c).
- ◆ Совместите аккумуляторную батарею с направляющими внутри батарейного отсека (6c) и вдвиньте ее в отсек таким образом, чтобы она зафиксировалась в инструменте и не выпадала.
- ◆ Закройте крышку батарейного отсека (6b). Перед запуском инструмента убедитесь, что крышка плотно закрыта.

Извлечение батареи (Рис. G)

- ◆ Поднимите и удерживайте крышку батарейного отсека (6b), чтобы получить доступ к аккумуляторной батарее (6).
- ◆ Нажмите на опирающую кнопку (6a) на батарее (6) и крепко потяните аккумуляторную батарею и извлеките ее из инструмента.
- ◆ Вставьте аккумуляторную батарею в зарядное устройство, как указано в разделе данного руководства, посвященном зарядному устройству.

Сборка

Внимание! Чтобы снизить риск получения серьезной травмы, необходимо выключить инструмент и извлечь батарею, прежде чем выполнять какую-либо регулировку или удалять/устанавливать какие-либо дополнительные насадки или дополнительные принадлежности. Случайный запуск может привести к травме.

Крепление быстросъемного фильтра (Рис. А)

Данный очиститель высокого давления следует применять с быстросъемными переходниками. Садовый или всасывающий шланг можно прикрепить только при установленном быстросъемном фильтре (8).

- ◆ Чтобы подсоединить быстросъемный фильтр (8) к очистителю высокого давления (2), установите быстросъемный фильтр концом на водозабор (3). Затяните быстросъемный фильтр вручную.

Примечание: Избегайте свинчивания не по резьбе при установке шланга. Свинчивание не по резьбе приведет к возникновению протечек.

Для крепления штанг-пульверизаторов, пенообразователя или других дополнительных принадлежностей (Рис. В)

Штанга-пульверизатор, пенообразователь и прочие дополнительные принадлежности (продаются отдельно) подсоединяются к очистителю высокого давления. Подсоединение штанг-пульверизаторов (9) (16) и пенообразователя (11) к очистителю высокого давления (2):

- ◆ Вставьте конец дополнительной принадлежности в отверстие на очистителе высокого давления (2). Вставьте дополнительную принадлежность и поворачивайте ее по часовой стрелки до тех пор, пока она не будет закреплена в рабочем положении.
- ◆ Чтобы снять дополнительную принадлежность, нажмите на дополнительную принадлежность, поверните ее против часовой стрелки и извлеките из очистителя высокого давления (2).

Примечание: Для очистителя высокого давления доступны и другие дополнительные принадлежности, см. раздел «Дополнительные принадлежности».

Крепление садового или всасывающего шланга (Рис. С, D)

Выбор садового или всасывающего шланга зависит от вида выполняемых работ.

Крепление садового шланга (Рис. С)

Данный очиститель высокого давления следует применять с быстросъемными переходниками.

- ◆ Чтобы подсоединить быстросъемный переходник шланга (13) к садовому шлангу, наведите быстросъемный переходник шланга на конец садового шланга. Вручную затяните садовый шланг.

Примечание: Избегайте свинчивания не по резьбе при установке шланга. Свинчивание не по резьбе приведет к возникновению протечек.

Примечание: Перед подсоединением садового шланга к очистителю высокого давления, дайте воде протечь сквозь садовый шланг в течение тридцати секунд, чтобы смыть с конца садового шланга любую грязь, которая могла там оказаться.

- ◆ Чтобы подсоединить быстросъемный переходник шланга (16) к быстросъемному фильтру (3) на очистителе высокого давления (2), плотно наденьте быстросъемный переходник шланга на быстросъемный фильтр.

Примечание: Перед использованием, аккуратно потяните за садовый шланг, чтобы убедиться в надежности соединения. Убедитесь, что быстросъемный переходник шланга плотно прилегает к быстросъемному фильтру, как показано на Рис. D.

- ◆ Всегда отсоединяйте садовый шланг после использования. Чтобы отсоединить, потяните за муфту на быстросъемном переходнике шланга и снимите его с быстросъемного фильтра.

Крепление всасывающего шланга (Рис. С, Е)

Всасывающий шланг используется для забора пресной воды из ведра или другой емкости.

Примечание: Запрещается использовать шланг для всасывания мыла, химических веществ, грязных или едких жидкостей наподобие жидкостей для мытья окон, подкормки, удобрений или отбеливателя. Запрещается использование с морской водой.

- ◆ Чтобы подсоединить быстросъемный переходник шланга (13) на конце всасывающего шланга к быстросъемному фильтру (3) на очистителе высокого давления (2), плотно наденьте быстросъемный переходник шланга на быстросъемный фильтр.

Примечание: Перед использованием, аккуратно потяните за садовый шланг, чтобы убедиться в надежности соединения. Убедитесь, что быстросъемный переходник на конце всасывающего шланга плотно прилегает к быстросъемному фильтру, как показано на вставке на Рис. Е.

- ◆ Поместите конец всасывающего шланга в емкость с пресной водой или в другой ее источник. Отрегулируйте поплавков на всасывающем шланге так, чтобы фильтр был полностью погружен в жидкость.
- ◆ Выберите насадку правильного типа. См. раздел «Как использовать мультираспылительную насадку».
- ◆ По завершении работы, поместите всасывающий шланг в емкость с чистой водой и пропустите чистую воду сквозь систему, чтобы промыть ее.

Крепление насадки 5-в-1 на штангу-пульверизатор

Внимание! Риск впрыска жидкости под кожу. Запрещается направлять струю на людей, незащищенную кожу или глаза, а также на животных. Это приведет к тяжелым травмам.

Внимание! Летящие предметы создают риск тяжелых травм. ЗАПРЕЩАЕТСЯ пытаться менять насадки во время работы очистителя высокого давления. Перед заменой

насадок выключайте очиститель высокого давления.

- ◆ Чтобы подсоединить насадку (10) к штанге-пульверизатору (9), потяните за быстрозажимную муфту по направлению к штанге-пульверизатору и вставьте насадку.
- ◆ Отпустите быстрозажимную муфту, чтобы зафиксировать насадку на месте.
- ◆ Чтобы убедиться, что насадка зафиксирована на месте, крепко потяните за насадку после фиксации быстрозажимной муфты.

Использование штанги-пульверизатора (Рис. F)

В комплекте с данным очистителем высокого давления поставляется регулируемая насадка-пульверизатор 5-в-1 (10).

- ◆ Чтобы отрегулировать давление регулируемой насадки-пульверизатора (10), поверните ее конец по или против часовой стрелки, устанавливая нужное распыление.
 - ✦ Узкое распыление хорошо подходит для очистки решеток, дорожек, тротуаров и кирпичной кладки.
 - ◆ Широкое распыление хорошо подходит для очистки палубного настила, винила, окрашенных поверхностей, автомобилей/фургонов и штукатурного гипса.

Примечание: Струя воды под высоким давлением из очистителя высокого давления может повредить такие поверхности, как дерево, стекло, автомобильную краску и отделку, хрупкие предметы наподобие цветов и кустов. Перед распылением проверьте очищаемый предмет и убедитесь, что он способен выдержать струю под высоким давлением без повреждений.

Правильное положение рук во время работы (Рис. H)

Внимание! Во избежание риска получения серьезных травм ВСЕГДА используйте правильное положение рук, как показано на рисунке.

Внимание! Во избежание риска получения серьезных травм ВСЕГДА крепко держите инструмент, предупреждая внезапную резкую отдачу.

При правильном расположении рук одна рука находится на основной рукоятке (1), а другая на корпусе очистителя высокого давления (2), как показано.

Мойка под высоким давлением

Подготовка поверхностей к мойке

- ◆ Уберите все предметы, которые могут представлять опасность во время мойки.
- ◆ Убедитесь, что все двери и окна плотно закрыты. Укройте все растения и деревья поблизости защитной пленкой, чтобы не повредить их струей.

- ◆ Сполосните поверхность пресной водой.
- ◆ Используйте только моющие средства, предназначенные для использования с очистителями высокого давления.
- ◆ Всегда перед использованием тестируйте моющее средство на незаметном участке.

Подготовка очистителя высокого давления к использованию

Внимание! Риск впрыска жидкости под кожу и порезов. При использовании высокого давления, НЕ ДОПУСКАЙТЕ контакта струи под высоким давлением с незащищенной кожей или глазами, а также с животными. Это приведет к тяжелым травмам.

Внимание! Перед работой:

- ◆ Подключите очиститель высокого давления к водоснабжению. Инструкции по подключению очистителя высокого давления к водоснабжению, см. в подразделе «Крепление садового или всасывающего шланга» в разделе «Сборка или регулировка».
- ◆ Подсоедините шлангу-пульверизатор, пенообразователь или какую-либо другую дополнительную принадлежность. Инструкции по подсоединению шланги-пульверизатора см. в подразделе «Крепление шланги-пульверизатора, пенообразователя или других принадлежностей» в разделе «Сборка и регулировка».

Подготовка очистителя высокого давления

Важно: Снимите блокировку пусковой выключателя (4), нажмите курковый пусковой выключатель (7) и удерживайте нажатым в течение 30 секунд, чтобы удалить воздух из системы. Если в водяной струе по-прежнему присутствует воздух, продолжайте пропускать воду через рукоятку пульверизатора.

- ◆ Снимите блокировку пусковой выключателя (4).
- ◆ Нажмите на курковый пусковой выключатель (7).

Мырка поверхностей

Внимание! Риск получения травм от струи. Всегда активируйте блокировку пускового выключателя, если инструмент не используется. Несоблюдение этого требования может привести к случайному срабатыванию.

- ◆ Чтобы запустить очиститель высокого давления, снимите блокировку пускового выключателя (4) и нажмите на курковый пусковой выключатель (7).

Примечание: Оптимальный угол струи воды к омываемой поверхности составляет 45°. Направление струи под прямым углом приводит к вдаиванию частиц грязи в поверхности. При работе с вертикальными поверхностями, моющее средство лучше наносить снизу вверх, что не даст мощному средству стекать вниз и оставлять разводы.

- ◆ Чтобы выключить очиститель высокого давления, отпустите курковый пусковой выключатель.

Примечание: Избыточное давление в насосе может возникнуть из-за засорения насадки или латунной муфты. Всегда выключайте очиститель высокого давления и извлекайте аккумуляторную батарею перед тем, как пытаться устранить засор в насадке или латунной муфте. **Внимание!** Запрещается набирать воду, содержащую химические вещества. Набирайте только чистую пресную воду.

Выключение

- ◆ Чтобы выключить очиститель высокого давления, отпустите курковый пусковой выключатель и извлеките аккумуляторную батарею.
- ◆ Закройте водопроводный кран.
- ◆ Сбросьте остаточное давление, нажимая на курковый пусковой выключатель (7) до тех пор, пока из шланги-пульверизатора не перестанет вытекать вода (9).
- ◆ Отсоедините садовый шланг от водозабора (3) и сливного шланга.
- ◆ Снимите садовый шланг, потянув за муфту на быстросъемном переходнике шланга и снимите его с быстросъемного фильтра.

Техническое обслуживание

Внимание! Чтобы снизить риск получения серьезной травмы, необходимо выключить инструмент и извлечь батарею, прежде чем выполнять какую-либо регулировку или удалять/устанавливать какие-либо дополнительные насадки или дополнительные принадлежности. Случайный запуск может привести к травме.

Чистка

Внимание! Выдувайте грязь и пыль из всех вентиляционных отверстий сухим, чистым воздухом хотя бы раз в неделю.

Чтобы свести к минимуму риск травмирования глаз, всегда надевайте при этом защитные очки.

Внимание! Никогда не пользуйтесь растворителями или другими сильнодействующими химическими веществами для чистки неметаллических частей инструмента. Эти химикаты могут повредить структуру материала, используемого для производства таких деталей. Используйте ткань, смоченную в мягком мыльном растворе. Не допускайте попадания жидкости внутрь инструмента; никогда не погружайте никакие детали инструмента в жидкость.

Насадка

Если насадка засорится посторонними веществами, например, грязью, это может привести к возникновению избыточного давления.

Если насадка частично засорена или закрыта, то давле-

ние насоса будет пульсировать. Немедленно прочистите насадку.

- ◆ Выключите очиститель высокого давления (2) и перекройте подачу воды.
- ◆ Нажмите на курковый пусковой выключатель (7) на основной рукоятке (1), чтобы сбросить остаточное давление воды.
- ◆ Извлеките насадку из штанги-пульверизатора (9), потянув за быстрозажимную муфту (10) в направлении штанги-пульверизатора.
- ◆ Извлеките мусор из насадки.
- ◆ Пропустите воду из водопроводного крана или садового шланга через насадку.

Пенообразователь

- ◆ Для очистки пенообразователя выключите очиститель высокого давления и перекройте подачу воды.
- ◆ Нажмите на курковый пусковой выключатель на основной рукоятке, чтобы сбросить остаточное давление воды.
- ◆ Отсоедините пенообразователь (11) от очистителя высокого давления и выкрутите насадку пенообразователя.
- ◆ Чтобы очистить пенообразователь (11), вылейте оставшееся моющее средство обратно в емкость. Тщательно промойте пенообразователь водой из садового шланга. Ополосните пенообразователь и дайте ему высохнуть.
- ◆ Наверните насадку обратно на пенообразователь.

Всасывающий шланг

- ◆ Чтобы очистить всасывающий шланг (12), выключите очиститель высокого давления.
- ◆ Нажмите на курковый пусковой выключатель, чтобы сбросить остаточное давление воды.
- ◆ Отсоедините всасывающий шланг (12) от очистителя высокого давления.
- ◆ Чтобы очистить всасывающий шланг, тщательно промойте его садовым шлангом и дайте ему высохнуть.

Фильтр всасывающего шланга (Рис. J)

- ◆ Поверните фильтр (20) на конце всасывающего шланга (12) против часовой стрелки и снимите его. Извлеките сетку из фильтра. Промойте все детали чистой водой и соберите их.

Быстросъемный фильтр (Рис. К)

- ◆ Потяните за муфту на быстросъемном переходнике шланга и снимите садовый или всасывающий шланг с быстросъемного фильтра (8).
- ◆ Извлеките из очистителя высокого давления быстросъемный фильтр.

- ◆ В быстросъемном фильтре (8) имеется сетчатый фильтр (22). Извлеките сетчатый фильтр, промойте его чистой водой и соберите заново.

Переключатель скорости (Рис. М)

Этот мощный очиститель позволяет работать при более низком давлении для более деликатных работ или увеличить скорость очистителя для более эффективной очистки.

Для ускорения переведите переключатель скорости (2a) назад к основной рукоятке (1) в положение «H!». Этот режим лучше всего подходит для работ, при которых требуется более высокое значение PSI.

Для более низкого давления переведите переключатель скорости по направлению к штанге-пульверизатору (8) в положение «L!». Данный режим прекрасно подходит для больших участков, обработка которых требует много времени.

Примечание: В режиме «H!» рабочий цикл очистителя будет короче по сравнению с режимом «L!».

Хранение

- ◆ Всегда полностью сливайте воду из всасывающего шланга, очистителя высокого давления, штанги-пульверизатора, насадок и пенообразователя.
- ◆ Храните в сухом, закрытом месте с температурой выше точки замерзания. **ХРАНИТЕ В ПОМЕЩЕНИИ.**

Дополнительные принадлежности

Внимание! В связи с тем, что дополнительные принадлежности других производителей помимо STANLEY FATMAX не проходили проверку на совместимость с данным изделием, их использование может представлять опасность. Во избежание травм, с данным инструментом следует использовать только дополнительные принадлежности, рекомендованные STANLEY FATMAX. Дополнительные принадлежности, рекомендованные к использованию с данным инструментом, можно приобрести за отдельную плату у вашего дилера или в ближайшем авторизованном сервисном центре. Если вам нужна помощь в поиске какой-либо принадлежности, посетите наш веб-сайт по адресу www.blackanddecker.co.uk.

STZINK2: Впускной шланг SFM, комплект переходника шланга

STZSBSK3: Комплект для мойки SFM (щетка, резиновый скребок, пенообразователь)

STZSW1: Короткая штанга-пульверизатор SFM

STZ5N1: Насадка 5-в-1 SFM

STZB1: Ведро SFM

STZQDW: Быстросъемная штанга-пульверизатор SFM

Защита окружающей среды



Раздельная утилизация. Изделия и аккумуляторные батареи с данным символом на маркировке запрещается утилизировать с обычными бытовыми отходами.

Изделия и аккумуляторные батареи содержат материалы, которые могут быть извлечены или переработаны, снижая потребность в исходном сырье. Пожалуйста, утилизируйте электрические изделия и аккумуляторные батареи в соответствии с местными нормами.

Технические характеристики

SFMCP93		
Давление	(бар)	24
Расход воды	(л/ч)	120
Аккумуляторная батарея	Пост. тока	18 В
Впускной шланг		6 м
Давление воды на входе	(бар)	1,4 - 6,9
Вода на входе		Холодная водопроводная
Скорость потребления мыла		10% МАКС.

SFMCB12		
Зарядное устройство		
Входное напряжение	$V_{\text{вход. тока}}$	230
Выходное напряжение	$V_{\text{выход. тока}}$	18
Ток	A	2

Аккумуляторная батарея		SFMCB202	SFMCB204	SFMCB206
Напряжение	$V_{\text{выход. тока}}$	18	18	18
Емкость	Ач	2,0	4,0	6,0
Тип		Ионно-литиевая	Ионно-литиевая	Ионно-литиевая

Уровень звукового давления L_{PA} : 76,0 дБ(А)

Погрешность $K = 3$ дБ(А)

Измеренная акустическая мощность L_{WA} : 86,0 дБ(А)

Погрешность $K = 2,9$ дБ(А);

Заявление о соответствии нормам ЕС

ДИРЕКТИВА ПО МЕХАНИЧЕСКОМУ ОБОРУДОВАНИЮ
ДИРЕКТИВА ПО ШУМАМ, ПРОИЗВОДИМЫМ ВНЕ
ПОМЕЩЕНИЯ



SFMCP93 Очиститель высокого давления

Stanley Fatmax заявляет, что продукция, описанная в разделе «Технические характеристики» соответствует: 2000/14/ЕС, Приложение V

LWA (измеренная акустическая мощность) 86 дБ(А), погрешность (K) = 2,9 дБ(А),

LWA (гарантированная акустическая мощность) 96 дБ(А). Нижеподписавшийся несет ответственность за составление технической документации и составил данную декларацию по поручению компании Stanley Fatmax.

Patrick Diepenbach

Патрик Дипенбах (Patrick Diepenbach)
Генеральный директор, Benelux
Stanley,
Egide Walschaertsstraat 14-18
2800 Mechelen, Belgium
15.06.2021

Декларация о соответствии Правила (безопасности) поставки техники

2008 г.
**UK
CA**

SFMCP93 Очиститель высокого давления

Stanley Fatmax заявляет, что продукция, описанная в разделе «Технические характеристики» соответствует: 2000/14/ЕС, Приложение V

LWA (измеренная акустическая мощность) 86 дБ(А), погрешность (K) = 2,9 дБ(А),

LWA (гарантированная акустическая мощность) 96 дБ(А). Нижеподписавшийся несет ответственность за составление технической документации и составил данную декларацию по поручению компании StanleyFatmax.

Karl Evans

Карл Иванс (Karl Evans)
Вице-президент подразделения профессиональных
электроинструментов EANZ GTS
Stanley UK,
270 Bath Road, Slough
Berkshire SL1 4DX
England
15.06.2021

Гарантия

Компания Stanley Fat Max уверена в качестве своей продукции и предлагает клиентам гарантию на 12 месяцев с момента покупки. Данная гарантия является дополнительной и ни в коей мере не направлена на ущемление ваших юридических прав.

Гарантия действует на территории стран-участниц Европейского союза и в Европейской зоне свободной торговли.

Чтобы подать заявку по гарантии, заявка должна соответствовать положениям и условиям Stanley Fat Max; кроме того, Вам потребуется предъявить продавцу или авторизованному специалисту по ремонту подтверждение покупки. Положения и условия 1-летней гарантии Stanley Fat Max и местонахождение ближайшего авторизованного специалиста по ремонту можно узнать через Интернет по адресу www.2helpU.com, или связавшись с местным представительством Stanley Fat Max по адресу, указанному в данном руководстве.

Посетите наш веб-сайт www.stanley.eu/3, чтобы зарегистрировать свое новое изделие Stanley Fat Max и получать информацию о новинках и специальных предложениях.



Приложение к руководству по эксплуатации электрооборудования для определения месяца производства по номеру текущей календарной недели года

Электрооборудование торговых марок "Dewalt", "Stanley", "Stanley FatMAX", "BLACK+DECKER".

Директивы 2014/30/EU ЕВРОПЕЙСКОГО ПАРЛАМЕНТА И СОВЕТА от 26 февраля 2014 г. "О гармонизации законодательств Государств-членов ЕС в области электромагнитной совместимости", 2006/42/ЕС ЕВРОПЕЙСКОГО ПАРЛАМЕНТА И СОВЕТА от 17 мая 2006 г. "О машинах и оборудовании"; 2014/35/EU ЕВРОПЕЙСКОГО ПАРЛАМЕНТА И СОВЕТА от 26 февраля 2014 г. "О гармонизации законодательств государств-членов в области размещения на рынке электрооборудования, предназначенного для использования в определенных пределах напряжения". Серийный выпуск.

ТОВАР СЕРТИФИЦИРОВАН

Орган по сертификации "РОСТЕСТ- Москва", Адрес: 119049, г. Москва, улица Житная, д. 14, стр. 1; 117418, Москва, Нахимовский просп., 31 (фактический), Телефон: (499) 1292311, (495) 6682893, Факс: (495) 6682893, E-mail: office@rostest.ru

Изготовитель: Изготовитель: Блэк энд Деккер Холдингс ГмбХ, Германия, 65510, Идштайн, ул. Блэк энд Деккер, 40, тел. +496126212790.

Уполномоченное изготовителем юр.лицо:

ООО "Стэнли Блэк энд Деккер", 117485, город Москва, улица Обручева, дом 30/1, строение 2
Телефон: + 7 (495) 258-3981, факс: + 7 (495) 258-3984, E-mail: inbosh@dewalt.com
Сведения о импортере указаны в сопроводительной документации и/или на упаковке

Хранение.

Необходимо хранить в сухом месте, вдали от источников повышенных температур и воздействия солнечных лучей. При хранении необходимо избегать резкого перепада температур. Хранение без упаковки не допускается

Срок службы.

Срок службы изделия составляет 5 лет. Не рекомендуется к эксплуатации по истечении 5 лет хранения с даты изготовления без предварительной проверки.

Дата изготовления (код даты) указана на корпусе инструмента.

Код даты, который также включает год изготовления, оштампован на поверхности корпуса изделия.

Пример:

2014 46 XX, где 2014 –год изготовления, 46-неделя изготовления.

Определить месяц изготовления по указанной неделе изготовления можно согласно приведенной ниже таблице.

Транспортировка.

Категорически не допускается падение и любые механические воздействия на упаковку при транспортировке. При разгрузке/погрузке не допускается использование любого вида техники, работающей по принципу зажима упаковки.

Перечень критических отказов, возможные ошибочные действия персонала.

Не допускается эксплуатация изделия:

- При появлении дыма из корпуса изделия
- При поврежденном и/или оголенном сетевом кабеле
- при повреждении корпуса изделия, защитного кожуха, рукоятки
- при попадании жидкости в корпус
- при возникновении сильной вибрации
- при возникновении сильного искрения внутри корпуса

Критерии предельных состояний.

- При поврежденном и/или оголенном сетевом кабеле
- при повреждении корпуса изделия

Месяц	Январь	Февраль	Март	Апрель	Май	Июнь	Июль	Август	Сентябрь	Октябрь	Ноябрь	Декабрь	Год производства
Неделя	1	5	9	14	18	23	27	31	36	40	44	49	2018
	2	6	10	15	19	24	28	32	37	41	45	50	
	3	7	11	16	20	25	29	33	38	42	46	51	
	4	8	12	17	21	26	30	34	39	43	47	52	
Неделя			13		22			35				48	2019
	1	6	10	14	18	23	27	31	36	40	45	49	
	2	7	11	15	19	24	28	32	37	41	46	50	
	3	8	12	16	20	25	29	33	38	42	47	51	
	4	9	13	17	21	26	30	34	39	43	48	52	
Неделя					22			35		44			2020
	1	6	10	14	19	23	27	32	36	40	45	49	
	2	7	11	15	20	24	28	33	37	41	46	50	
	3	8	12	16	21	25	29	34	38	42	47	51	
	4	9	13	17	22	26	30	35	39	43	48	52	
Неделя				18			31			44			2021
	2	6	10	14	19	23	27	32	36	41	45	49	
	3	7	11	15	20	24	28	33	37	42	46	50	
	4	8	12	16	21	25	29	34	38	43	47	51	
	5	9	13	17	22	26	30	35	39	44	48	52	
Неделя					18				40			1	2022
	2	6	10	15	19	23	28	32	36	41	45	49	
	3	7	11	16	20	24	29	33	37	42	46	50	
	4	8	12	17	21	25	30	34	38	43	47	51	
	5	9	13	18	22	26	31	35	39	44	48	52	
		14				27			40			1	

STANLEY

FATMAX

ГАРАНТИЙНЫЙ ТАЛОН

3 ГОДА ГАРАНТИИ

1. Поздравляем Вас с покупкой высококачественного изделия STANLEY FATMAX и выражаем признательность за Ваш выбор.
2. При покупке изделия требуйте проверки его комплектности и исправности в Вашем присутствии, инструкцию по эксплуатации и заполненный Гарантийный талон на русском языке. В гарантийном талоне должны быть внесены: модель, дата продажи, серийный номер, дата производства инструмента; название, печать и подпись торговой организации. При отсутствии у Вас правильно заполненного Гарантийного талона, а также несоответствия указанных в нем данных, мы будем вынуждены отклонить Ваши претензии по качеству данного изделия.
3. Во избежание недоразумений, убедительно просим Вас перед началом работы с изделием внимательно ознакомиться с инструкцией по его эксплуатации. Правовой основой настоящих гарантийных условий является действующее Законодательство. Гарантийный срок на данное изделие составляет 36 месяцев и исчисляется со дня продажи. В случае устранения недостатков изделия, гарантийный срок продлевается на период его нахождения в ремонте. Срок службы изделия составляет 5 лет со дня продажи.
4. В случае возникновения каких-либо проблем в процессе эксплуатации изделия рекомендуем Вам обращаться только в уполномоченные сервисные центры STANLEY FATMAX, адреса и телефоны которых Вы сможете найти на сайте www.2helpU.com или узнать в магазине. Наши сервисные станции - это не только квалифицированный ремонт, но и широкий ассортимент запчастей и принадлежностей.
5. Производитель рекомендует проводить периодическую проверку и техническое обслуживание изделия в уполномоченных сервисных центрах.
6. Наши гарантийные обязательства распространяются только на неисправности, выявленные в течение гарантийного срока и вызванные дефектами производства и / или материалов.
7. Гарантийные условия не распространяются на неисправности изделия, возникшие в результате:
 - 7.1. Несоблюдения пользователем предписаний инструкции по эксплуатации изделия, применения изделия по назначению, неправильного хранения, использования принадлежностей, расходных материалов и запчастей, не предусмотренных производителем.
 - 7.2. Механического повреждения (сколы, трещины и разрушения) внутренних и внешних деталей изделия, основных и вспомогательных рукояток, сетевого электрического кабеля, вызванного внешним ударным или любым иным воздействием.
 - 7.3. Попадания в вентиляционные отверстия и проникновение внутрь изделия посторонних предметов, материалов или веществ, не являющихся отходами, сопровождающими применение изделия по назначению, такими как: стружка, опилки, песок, и пр.
 - 7.4. Воздействия на изделие неблагоприятных атмосферных и иных внешних факторов, таких как дождь, снег, повышенная влажность, нагрев, агрессивные среды, несоответствие параметров питающей электросети, указанных на инструменте.
 - 7.5. Стихийного бедствия. Повреждение или утрата изделия, связанное с непредвиденными бедствиями, стихийными явлениями, в том числе вследствие действия непреодолимой силы (пожар, молния, потоп и другие природные явления), а также вследствие перепадов напряжения в электросети и других причин, которые находятся вне контроля производителя.
8. Гарантийные условия не распространяются:
 - 8.1. На инструменты, подвергавшиеся вскрытию, ремонту или модификации вне уполномоченного сервисного центра.
 - 8.2. На детали и узлы, имеющие следы естественного износа, такие как: приводные ремни и колеса, угольные щетки, смазка, подшипники, зубчатое зацепление редукторов, резиновые уплотнения, сальники, направляющие ролики, муфты сцепления, бойки, толкатели, стволы, и т.п.
 - 8.3. На сменные и расходные части: цанги, зажимные гайки и фланцы, фильтры, ножи, шлифовальные подошвы, цепи, звездочки, пильные шины, защитные кожухи, пилки, абразивы, пильные и абразивные диски, фрезы, сверла, буры и т.п.
 - 8.4. На неисправности, возникшие в результате перегрузки инструмента (как механической, так и электрической), повлекшей выход из строя одновременно двух и более деталей и узлов, таких как ротора и статора, обеих обмоток статора, ведомой и ведущей шестерни редуктора или других узлов и деталей. К безусловным признакам перегрузки изделия относятся, помимо прочего: появление цветов побежалости, деформация или оплавление деталей и узлов изделия, потемнение или обугливание изоляции проводов электродвигателя под воздействием высокой температуры.

Товар получен в исправном состоянии, без видимых повреждений, в полной комплектации, проверен в моем присутствии, претензий по качеству товара не имею. С условиями гарантийного обслуживания ознакомлен и согласен.

Ф. И. О. и подпись покупателя _____

Уважаемые клиенты, наша сеть авторизованных сервисных центров постоянно расширяется. Актуальную информацию об обслуживании в интересующем вас городе вы можете узнать на сайте

www.2helpU.com

Информация об инструменте

Наименование инструмента	
Модель	
Наименование продавца	
Дата продажи	

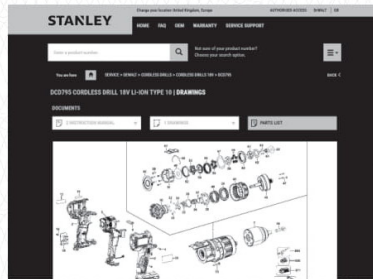
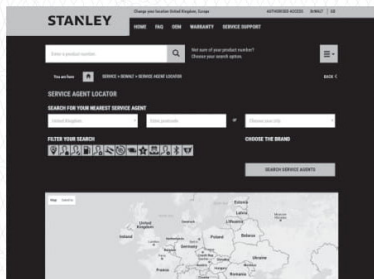
М.П.
Продавца

Серийный номер / Дата производства

Инструмент	
Зарядное устройство	
Аккумулятор 1	
Аккумулятор 2	

На сайте www.2helpU.com доступны следующие функции:

- Список авторизованных сервисных центров
- Удобный поиск ближайшего сервисного центра
- Руководство по эксплуатации
- Технические характеристики
- Список деталей и запасных частей
- Схема сборки инструмента



Также данную информацию вы можете
получить, позвонив по телефону:
8(800) 1000 876

ОТМЕТКА О ПРОВЕДЕНИИ СЕРВИСНОГО ОБСЛУЖИВАНИЯ

№1	№2	№3	№4
№ заказа	№ заказа	№ заказа	№ заказа
Дата поступления	Дата поступления	Дата поступления	Дата поступления
Дата ремонта	Дата ремонта	Дата ремонта	Дата ремонта
Печать и подпись сервисного центра	Печать и подпись сервисного центра	Печать и подпись сервисного центра	Печать и подпись сервисного центра

Сфера застосування

Ваш очищувач високого тиску SFMCPC93 виробництва компанії STANLEY FATMAX призначений для чищення човнів, автомобілів, палуб, проїздів, решіток, сайдингу будинку, мотоциклів, внутрішніх двориків та вуличних меблів. Ці пристрої призначені лише для побутового використання.

Інструкції з техніки безпеки

Увага! При використанні пристроїв з живленням від електричної мережі/ бездротових пристроїв необхідно дотримуватись основних заходів безпеки, включаючи наступні, щоб знизити ризик виникнення пожежі, ураження електричним струмом, травм та матеріальних ушкоджень.



Ніколи не спрямовуйте струмінь води на людей, тварин, машину або електричні компоненти.

Увага! Струмені високого тиску можуть бути небезпечні при неправильному використанні.



Відповідно до чинних норм забороняється використовувати прилад в мережі питної води без системного сепаратора. Використовуйте сепаратор згідно з ІЕС 61770, тип ВА.

Вода, що тече крізь системний сепаратор, вважається непридатною для пиття.

- ◆ Перед роботою з пристроєм уважно прочитайте цей посібник.
- ◆ У цьому посібнику описано використання за призначенням. Використання будь-якого приладдя насадок

чи додаткового обладнання або виконання операцій з приладом, не описаних у цьому посібнику, може призвести до тілесних ушкоджень.

- ◆ Зберігайте цей посібник для отримання інформації у подальшому.

Використання пристрою

Будьте уважні під час використання пристрою.

- ◆ Рідину або пару не можна спрямовувати на обладнання, що містить електричні компоненти, наприклад всередину духовки.
- ◆ Не можна використовувати пристрій, якщо він падав, має видимі ознаки пошкодження або протікає.
- ◆ Завжди використовуйте захисні окуляри.
- ◆ У жодному разі дітям, особам зі зниженими фізичними, сенсорними або розумовими можливостями або особам, яким бракує досвіду чи знань, а також людям, які не ознайомлені з даними інструкціями, використовувати пристрій; місцеві законодавчі акти можуть обмежувати вік оператора. У жодному разі не використовуйте пристрій, коли поряд знаходяться інші люди, особливо діти, або домашні тварини.
- ◆ Не дозволяйте дітям або тваринам підходити до робочої зони та торкатися пристроїв або електричних шнурів.
- ◆ Необхідний ретельний нагляд у випадках, коли пристрій використовується біля дітей.

- ◆ Цей пристрій не призначений для використання молодими та хворими людьми без нагляду.
- ◆ Цей інструмент не можна використовувати в якості іграшки.
- ◆ Використовуйте цей пристрій лише вдень або за умови гарного штучного освітлення.
- ◆ Використовуйте лише у сухому місці. Не дозволяйте, щоб пристрій був вологим.
- ◆ Уникайте використання пристрою у погану погоду, особливо коли є ризик удару блискавки.
- ◆ Не занурюйте пристрій у воду.
- ◆ Не відкривайте корпус. Всередині відсутні деталі, які користувач може обслуговувати самостійно.
- ◆ Не використовуйте цей пристрій у вибухонебезпечних умовах, наприклад, в присутності легкозаймистих рідин, газів або пилу.
- ◆ Цей пристрій можна використовувати лише з джерелом живлення, що надається в комплекті.

Залишкові ризики.

Під час використання інструмента можуть виникнути додаткові залишкові ризики, які не внесені до попереджень щодо техніки безпеки в цьому посібнику.

Ці ризики можуть виникнути як результат неправильного використання, тривалого використання тощо.

Незважаючи на виконання всіх відповідних правил техніки безпеки та використання захисних пристроїв,

неможливо уникнути деяких залишкових ризиків.

Сюди належать:

- ◆ Травми через контакт з деталями, що рухаються/обертаються.
- ◆ Травми під час заміни деталей, пильних полотен або аксесуарів.
- ◆ Травми через занадто тривале використання інструмента. Під час використання будь-якого інструмента протягом тривалого періоду часу не забувайте робити регулярні перерви.
- ◆ Порушення слуху.
- ◆ Небезпека для здоров'я через вдихання пилу, що утворюється під час використання інструмента (наприклад, при роботі з деревом, особливо з дубом, буком та ДВП)

Після використання

- ◆ Коли пристрій не використовується, його необхідно зберігати у сухому, добре провітрюваному та недоступному для дітей місці.
- ◆ Дітям забороняється мати доступ до пристрою в місці зберігання.
- ◆ Якщо пристрій зберігається або транспортується в автомобілі, його необхідно помістити в багажник або зафіксувати, щоб уникнути рухів через раптові зміни швидкості або напрямку.

Перевірка та ремонт

- ◆ Перед використанням перевірте пристрій на наявність пошкоджених деталей. Перевірте на наявність по-

шкоджених деталей та інших умов, що можуть вплинути на роботу.

- ◆ Не використовуйте пристрій, якщо виявлено пошкодження або дефекти якоїсь деталі.
- ◆ Пошкоджені або дефектні деталі необхідно відремонтувати або замінити, звернувшись до авторизованого центру з ремонту.
- ◆ Ніколи не намагайтеся знімати або замінювати деталі, за винятком тих, що вказані в цьому посібнику.

Додаткові інструкції з техніки безпеки для очищувачів високого тиску

У цьому посібнику описано використання за призначенням. Використання аксесуарів або приладдя, виконання будь-яких дій з пристроєм, що суперечать рекомендаціям цього керівництва, може призвести до ризику травмування людини та/або пошкодження майна.

- ◆ Для захисту ніг під час роботи з пристроєм завжди вдягайте міцні черевики та довгі штани.
- ◆ Вимкніть пристрій, дочекайтесь, доки вентилятор зупиниться, та витягніть батарею, коли:
 - ◆ залишаєте пристрій без нагляду;
 - ◆ прочищаєте засмічення;
 - ◆ перевіряєте, налаштовуєте, очищуєте пристрій або виконуєте з ним інші дії;
 - ◆ пристрій починає занадто сильно вібрувати.
- ◆ Не розташовуйте вхідний або ви-

хідний отвір очищувача високого тиску біля очей або вух під час використання пристрою. Ніколи не спрямовуйте у напрямку людей, що знаходяться неподалік.

- ◆ Не використовуйте пристрій під дощем та не залишайте його на вулиці, коли йде дощ.
- ◆ Не переходьте посипані гравієм доріжки з увімкненим пристроєм. З пристроєм потрібно ходити, а не бігати.
- ◆ Не кладіть увімкнений пристрій на гравій.
- ◆ Завжди слідкуйте за стійким положенням ніг, особливо на схилах. Не намагайтесь дотягнутись до віддалених місць та постійно зберігайте рівновагу.
- ◆ Не кладіть інші предмети на отвори пристрою. Не використовуйте пристрій із заблокованими отворами – слідкуйте, щоб волосся, пух, пил та все інше не потрапляло в отвори, тому що це може перешкоджати потоку повітря.

Увага! Використовуйте пристрій у спосіб, вказаний у цьому посібнику. Ваш пристрій розроблений так, щоб використовувати його у вертикальному положенні, всі інші варіанти використання можуть призвести до травми. Не використовуйте пристрій, коли його перевернуто набік або угору.

- ◆ Оператор або користувач несе відповідальність за нещасні випадки та небезпеку щодо інших людей або

- їхнього майна.
- ◆ Не використовуйте розчинники та мийні рідини для очищення пристрою. Використовуйте плоский тупоносий шабер для видалення трави та бруду.
- ◆ Регулярно перевіряйте мішок для збирання на ознаки зносу та пошкодження.
- ◆ Замінні вентилятори доступні через офіційні сервісні центри STANLEY FATMAX. Використовуйте рекомендовані компанією STANLEY FATMAX запасні деталі та аксесуари.
- ◆ Слідкуйте, щоб всі болти та гвинти були добре затягнені, аби гарантувати безпечні умови роботи пристрою.

Безпека оточення

- ◆ Цей пристрій не призначений для використання особами (включаючи дітей) із зниженими фізичними, сенсорними або розумовими можливостями або особами, яким бракує досвіду або знань за винятком випадків, коли такі особи працюють під наглядом або отримали інструкції щодо використання пристрою від особи, яка несе відповідальність за їх безпеку.
- ◆ Уважно слідкуйте за тим, щоб діти не гралися з пристроєм.

Додаткові інструкції з техніки безпеки для батарей та зарядних пристроїв

Акумуляторні батареї

- ◆ Ніколи не намагайтесь відкрити батарею.
- ◆ Не занурюйте батарею у воду.
- ◆ Не зберігайте у місцях, де температура може перевищувати 40 °С.
- ◆ Заряджайте лише за температури навколишнього середовища між 10 °С та 40 °С.
- ◆ Заряджайте лише за допомогою зарядного пристрою, що надається з інструментом.
- ◆ При утилізації батарей дотримуйтесь інструкцій, наведених у розділі «Захист навколишнього середовища».

Зарядні пристрої

- ◆ Використовуйте зарядний пристрій STANLEY FATMAX для зарядки батарей лише того інструменту, з яким він був у комплекті. Інші акумуляторні батареї можуть вибухнути, спричинивши травми та пошкодження.
- ◆ Ніколи не намагайтесь заряджати батареї, що не підлягають зарядці.
- ◆ Негайно замінюйте пошкоджений дріт живлення.
- ◆ Уникайте контакту зарядного пристрою з водою.
- ◆ Не відкривайте корпус зарядного пристрою.
- ◆ Не розбирайте зарядний пристрій.



Зарядний пристрій призначений лише для використання в приміщенні.



Прочитайте інструкції цього посібника перед використанням.

Електрична безпека



Зарядний пристрій має подвійну ізоляцію, тому заземлення непотрібне. Завжди перевіряйте відповідність джерела живлення напрузі, що вказана на табличці з паспортними даними. Ніколи не намагайтесь замінити зарядний пристрій звичайним мережним штепселем.

- ◆ Якщо силовий кабель пошкоджений, його необхідно замінити у виробника або в офіційному сервісному центрі STANLEY FATMAX для уникнення небезпеки.

Маркування на пристрої

Наведені нижче попереджувальні символи нанесені на пристрій разом в кодом дати:



Прочитайте цей посібник перед використанням.

Використовуйте захисні окуляри при роботі з інструментом.

При використанні пристрою використовуйте засоби захисту органів слуху.

Завжди виймайте батарею з пристрою перед проведенням будь-яких робіт з очищення та технічного обслуговування.



Не залишайте інструмент під дощем та в умовах підвищеної вологості.



У Директиві 2000/14/ЕС вказана гарантована звукова потужність.

Компоненти

Цей пристрій має всі або деякі з нижче перерахованих компонентів.

1. Основна ручка
2. Блок очищувача високого тиску
3. Водозабірник
4. Тригерна кнопка блокування
5. Кнопка деблокування акумулятора
6. Акумуляторна батарея (входить в комплект SFMCPC93D1)
7. Вимикач Увімк./Вимк.
8. Швидкоз'ємний фільтр (входить в комплект)
9. Швидкоз'ємна трубка очищувача високого тиску (входить в комплект STZQDW1)
10. Форсунка 5-в-1 (входить в комплект STZ5N1)
11. Пляшка з милом (входить в STZSBSK3: комплект для очищення)
12. Всмоктувальний шланг (входить в комплект STZINK2)
13. Швидкоз'ємний з'єднувач для шланга (входить в комплект STZINK2)
14. Шар-поплавець (входить в комплект STZINK2)
15. Перехідник садового шланга (входить в комплект)
16. Коротка трубка (приладдя STZSW1)
17. Щітка (входить в STZSBSK3: комплект для очищення)
18. Гумовий скребок (входить в STZSBSK3: комплект для очищення)
19. Відро (входить в комплект STZB1)

Зарядження акумуляторної батареї

Зарядні пристрої STANLEY FATMAX призначені для зарядження акумуляторних батарей STANLEY FATMAX.

- ◆ Вставте штепсель зарядного пристрою в електричну розетку.
- ◆ Вставте і повністю прилаштуйте акумулятор у гніздо. Зелений індикатор зарядки постійно блиматиме під час зарядження.
- ◆ Коли зарядження завершиться, зелений індикатор зарядки горітиме постійно. Батарею можна залишити в зарядному пристрої або вийняти.
- ◆ Заряджайте батареї, які розрядилися, якомога швидше після використання, інакше термін служби батареї може значно скоротитися.
Для подовження терміну служби батарей не розряджайте їх повністю. Рекомендується заряджати батареї після кожного використання.

Діагностика зарядного пристрою

Зарядний пристрій призначений для виявлення певних проблем, які можуть виникати з акумулятором або джерелом живлення. Проблеми відображаються різними сигналами світлодіода.

Несправна батарея

Зарядний пристрій може визначити розряджену або пошкоджену батарею. Світлодіод буде горіти, як вказано на піктограмі. Якщо ви побачите такий варіант світлодіодного сигналу, припиніть зарядку батареї. Поверніть її у сервісний центр або місце збирання батарей для переробки.

Затримка через занадто гарячий/холодний акумулятор

Якщо зарядний пристрій визначас, що акумулятор є занадто гарячим або занадто холодним, він автоматично вмикає режим температурної затримки, припиняючи процес зарядки, доки акумулятор не досягне нормальної температури. Після цього зарядний пристрій автоматично переходить до режиму зарядки батареї. Ця функція забезпечує максимальний термін служби батареї. Світлодіод горить, як вказано на піктограмі.

Залишення акумуляторної батареї в зарядному пристрої

Акумуляторні батареї можна залишити в зарядному пристрої на необмежений час з індикатором, який працює. Зарядний пристрій буде підтримувати акумуляторну батарею у повністю зарядженому стані. Цей зарядний пристрій оснащено режимом автоматичного налаштування, який вирівнює або балансує окремі акумуляторні елементи, дозволяючи їм працювати з максимальною потужністю. Акумулятор необхідно налаштувати раз на тиждень або коли потужність акумулятора знижується. Для використання режиму автоматичного налаштування помістіть акумулятор у зарядний пристрій та залишіть його там протягом щонайменше 8 годин.

Важливі примітки щодо зарядки

- ◆ Найбільшу тривалість роботи та найкращу потужність акумулятор досягає при зарядці за температури навколишнього середовища 18 °C – 24 °C. НЕ заряджайте акумулятор, якщо температура повітря становить нижче +4,5 °C або вище +40 °C. Це дуже важливо, та дозволяє уникнути серйозного пошкодження акумулятора.
- ◆ Під час зарядки зарядний пристрій та акумулятор можуть бути теплими на дотик. Це є нормою, і не є показником проблеми. Щоб швидше охолодити батарею після використання, не поміщайте зарядний пристрій та батарею у тепле місце, наприклад у металевий гараж або неізольований контейнер.
- ◆ Якщо акумулятор не заряджається належним чином:
 - ◆ перевірте роботу батарейного відсіку, встановивши батарею у лампу або інший пристрій;
 - ◆ перевірте, чи розетка підключена до вимикача освітлення, який вмикає живлення, коли ви вмикаєте лампи;

- ◆ помістіть зарядний пристрій та акумулятор у місце, де температура повітря становитиме приблизно 18 °C – 24 °C;
- ◆ якщо проблема не вирішується, віднесіть інструмент, акумулятор та зарядний пристрій у місцевий сервісний центр.
- ◆ Акумулятор необхідно заряджати, коли він припиняє надавати достатньо потужності для завдань, які легко виконувались раніше. ПРИПИНІТЬ ВИКОРИСТАННЯ за цих умов. Дотримуйтесь процедури зарядки. Ви можете заряджати частково розряджену батарею, коли забажаєте, без шкоди для неї.
- ◆ Сторонні предмети, що проводять струм, наприклад, шліфувальний пил, металева стружка, металева мочалка, алюмінієва фольга або будь-які металеві деталі необхідно зберігати подалі від зарядного пристрою. Відключіть зарядний пристрій від мережі живлення перед його очищенням.
- ◆ Не заморозуйте та не занурюйте зарядний пристрій у воду або будь-яку іншу рідину.

Встановлення акумуляторної батареї (рис. G)

Примітка. Для забезпечення найкращих результатів, перед використанням слід переконавшись, що акумулятор (6) повністю заряджений.

- ◆ Підніміть кришку батарейного відсіку (6b), щоб відкрити батарейний відсік (6c).
- ◆ Вирівняйте акумулятор по напрямних у батарейному відсіку інструменту (6c) та просуньте його в батарейний відсік до щільного закріплення в інструменті. Переконайтесь, що він не від'єднаний.
- ◆ Закрийте кришку батарейного відсіку (6b). Перед запуском інструменту переконайтеся, що кришка повністю зафіксована на місці.

Виймання акумуляторної батареї (рис. G)

- ◆ Підніміть кришку батарейного відсіку (6b), щоб відкрити акумулятор (6).
- ◆ Натисніть кнопку деблокування акумулятора (6a) на акумуляторі (6) та витягніть акумулятор з інструменту.
- ◆ Вставте акумулятор у зарядний пристрій, як описано у розділі щодо зарядного пристрою цього керівництва.

Монтаж

Увага! Щоб знизити ризик серйозних травм, вимкніть пристрій та вийміть акумулятор перед виконанням будь-яких налаштувань або зніманням/установленням додаткового обладнання чи приладдя. Випадковий запуск може призвести до тілесних ушкоджень.

Приєднання швидкороз'ємного фільтра (рис. А)

Цей очищувач високого тиску необхідно використовувати з швидкороз'ємними перехідниками. Садовий або всмоктувальний шланг можна приєднувати лише при встановленому швидкороз'ємному фільтрі (8).

- ◆ Щоб під'єднати швидкороз'ємний фільтр (8) до очищувача високого тиску (2), помістіть кінець швидкороз'ємного фільтра на водозабірник (3). Затягніть швидкороз'ємний фільтр рукою.

Примітка. Під час установки шланга не допускайте заїдання різьблення. Заїдання різьблення призведе до витоків.

Під'єднання розпилювальних трубок, пляшки з милом та інших насадок (рис. В)

Розпилювальна трубка, пляшка з милом та інші насадки (що продаються окремо) під'єднуються до очищувача високого тиску. Щоб під'єднати розпилювальні трубки (9) (16) і пляшку з милом (11) до очищувача високого тиску (2):

- ◆ Вставте кінець насадки в отвір на очищувачі високого тиску (2). Втисніть і поверніть насадку за годинниковою стрілкою, поки вона не зафіксується в робочому положенні.
- ◆ Щоб зняти насадку, натисніть на насадку і поверніть її проти годинникової стрілки, потім зніміть з очищувача високого тиску (2).

Примітка. Інше приладдя доступне для використання з цим очищувачем високого тиску, див. розділ «Приладдя».

Підключення садового або всмоктувального шланга (рис. С, D)

Підключення садового або всмоктувального шланга залежатиме від виконуваної роботи.

Підключення садового шланга (рис. С)

Цей очищувач високого тиску необхідно використовувати з швидкороз'ємними перехідниками.

- ◆ Щоб під'єднати швидкороз'ємний перехідник шланга (13) до садового шланга, нагвинтіть швидкороз'ємний перехідник шланга на кінець садового шланга. Затягніть садовий шланг рукою.

Примітка. Під час установки шланга не допускайте заїдання різьблення. Заїдання різьблення призведе до витоків.

Примітка. Перед тим як під'єднати садовий шланг до очищувача високого тиску, пропустіть воду через садовий шланг протягом тридцяти секунд, щоб видалити сміття з вихідного отвору садового шланга високого тиску.

- ◆ Щоб під'єднати швидкороз'ємний перехідник шланга (16) до швидкороз'ємного фільтра (3) на очищувачі високого тиску (2), надягніть швидкороз'ємний перехідник шланга на швидкороз'ємний фільтр.

Примітка. Перед використанням обережно потягніть за

садовий шланг, щоб переконатися в надійності з'єднання. Переконайтеся, що швидкороз'ємний перехідник шланга знаходиться врівень з швидкороз'ємним фільтром, як показано на рисунку D.

- ◆ Завжди від'єднуйте садовий шланг після використання. Щоб від'єднати, потягніть муфту на швидкороз'ємному перехіднику шланга назад і зніміть її з швидкороз'ємного фільтра.

Підключення всмоктувального шланга (рис. С, Е)

Використовуйте всмоктувальний шланг, щоб набрати воду з відра або іншого джерела прісної води.

Примітка. Не використовуйте для всмоктування мило, хімікати, брудні або їдкі рідини, такі як засіб для миття вікон, підживку для рослин, добрива або відбілювач. Не використовуйте солону воду.

- ◆ Щоб під'єднати швидкороз'ємний перехідник шланга (13) на кінець всмоктувального шланга до швидкороз'ємного фільтра (3) на очищувачі високого тиску (2), надягніть швидкороз'ємний перехідник шланга на швидкороз'ємний фільтр.

Примітка. Перед використанням обережно потягніть за садовий шланг, щоб переконатися в надійності з'єднання. Переконайтеся, що швидкороз'ємний перехідник шланга на кінець всмоктувального шланга знаходиться врівень з швидкороз'ємним фільтром, як показано на рисунку Е.

- ◆ Помістіть інший кінець всмоктувального шланга з фільтром в ємність з прісною водою або джерело прісної води. Налаштуйте поплавець на всмоктувальному шлангу так, щоб фільтр залишався покритим рідиною.
- ◆ Виберіть відповідну форсунку для використання. Див. розділ «Як використовувати мультирозпилювальну форсунку».
- ◆ Після завершення роботи помістіть всмоктувальний шланг в ємність з чистою водою і пропустіть чисту воду через систему для промивання.

Як приєднати форсунку 5-в-1 до розпилювальної трубки

Увага! Ризик впорскування рідини. Не спрямовуйте струмінь розряду на людей, незахищену шкіру, очі або домашніх чи хижих тварин. Відбудеться серйозна травма.

Увага! Предмети, що розлітаються, можуть стати причиною серйозних травм. НЕ НАМАГАЙТЕСЯ міняти форсунки під час роботи очищувача високого тиску. Перед заміною форсунки вимкніть очищувач високого тиску.

- ◆ Щоб під'єднати форсунку (10) до розпилювальної трубки (9), потягніть швидкороз'ємну муфту до розпилювальної трубки і вставте форсунку.
- ◆ Розблокуйте швидкороз'ємну муфту, щоб зафіксувати форсунку на місці.

- ◆ Щоб забезпечити фіксацію форсунки на місці, сильно потягніть за неї після того, як швидкоз'ємна муфта зафіксується на місці.

Як використовувати розпилювальну трубку (рис. F)

Регульована форсунка 5-в-1 (10) поставляється з цим очищувачем високого тиску.

- ◆ Щоб відрегулювати тиск регульованої форсунки (10), поверніть наконечник за годинниковою стрілкою або проти годинникової стрілки для досягнення бажаної витрати.
- ◆ Для очищення решіток, проїздів, тротуарів і цегляної кладки добре підходить вузький розпилювач.
- ◆ Широкий розпилювач добре підходить для очищення настилів, вінілових покриттів, пофарбованих поверхонь, автомобілів/автофургонів і штукатурки.

Примітка. Розпилювання під високим тиском за допомогою вашого очищувача високого тиску здатне викликати пошкодження таких поверхонь, як деревина, скло, автомобільна фарба, автомобільне смугування і оббивка, а також тендітних предметів, як-от квіти і куці. Перед розпиленням перевірте предмет, що очищається, аби переконатися, що він досить міцний, щоб протистояти пошкодженням від прикладеної сили розпилення.

Вірне положення рук (рис. H)

Увага! Щоб знизити ризик серйозних травм, ЗАВЖДИ правильно розташуйте руки, як показано на рисунку.

Увага! Для зменшення ризику серйозних травм ЗАВЖДИ міцно тримайте інструмент на випадок можливої віддачі. При правильному положенні рук необхідно одну руку тримати на основній ручці (1), а іншу – на корпусі очищувача високого тиску (2), як показано.

Очищення під тиском

Підготовка поверхні до очищення

- ◆ Приберіть з робочої зони предмети, які можуть викликати небезпеку.
- ◆ Переконайтеся, що всі двері і вікна щільно закриті. Захистіть всі рослини і дерева на прилеглий території дрانتям, щоб вони не постраждали від надмірного розпилення.
- ◆ Попередньо промийте ділянку, що очищається, прісною водою.
- ◆ Використовуйте тільки миючі засоби, призначені для мийок високого тиску.
- ◆ Завжди перевіряйте миючий засіб на непомітному місці перед використанням.

Підготовка блоку очищувача високого тиску до роботи

Увага! Ризик впорскування рідини і розриву. При використанні налаштування високого тиску НЕ допускайте контакту розпилювача високого тиску з незахищеною шкірою, очима або будь-якими домашніми тваринами чи хижакими. Відбудеться серйозна травма.

Увага! Перед експлуатацією:

- ◆ Підключіть подачу води до очищувача високого тиску. Інструкції по підключенню подачі води до очищувача високого тиску див. в темі «Підключення садового або всмоктувального шланга» в розділі «Збирання і регулювання».
- ◆ Підключіть розпилювальну трубку високого тиску, пляшку з милом та інше приладдя. Інструкції по підключенню розпилювальної трубки високого тиску див. в темі «Підключення розпилювальної трубки, пляшки з милом або іншого приладдя» в розділі «Збирання і регулювання».

Підготовка очищувача високого тиску

Важливо! Відпустіть тригерну кнопку блокування (4), натисніть вимикач (7) і утримуйте його протягом 30 секунд, щоб видалити повітря з системи. Якщо в струмені води все ще є повітря, продовжуйте пропускати воду через ручку розпилювача.

- ◆ Відпустіть тригерну кнопку блокування (4).
- ◆ Натисніть вимикач (7).

Очищення поверхні

Увага! Ризик отримання травми через розпилювач. Завжди активуйте тригерну кнопку блокування, коли пістолет не використовується. Недотримання цієї вимоги може викликати випадкове розпилення.

- ◆ Щоб увімкнути очищувач високого тиску, відпустіть тригерну кнопку блокування (4) і натисніть вимикач (7).

Примітка. Найкращий кут розпилення води на поверхню, що очищається, становить 45°. Розпилювальна голівка зазвичай призводить до потрапляння частинок бруду на поверхню. При роботі з вертикальними поверхнями найкраще наносити миючий засіб, починаючи знизу і рухаючись вгору, щоб запобігти підтіканню миючого засобу вниз і появі розводів.

- ◆ Щоб вимкнути очищувач високого тиску, відпустіть вимикач.

Примітка. Надмірний тиск насоса може бути результатом засмічення форсунки або латунної муфти.

Завжди вимикайте очищувач високого тиску і виймайте акумулятор, перш ніж намагатися очистити форсунку або латунну муфту від засмічення.

Увага! Ніколи не використовуйте воду, що містить хімічні речовини. Використовуйте тільки джерела прісної води.

Останов

- ◆ Щоб вимкнути очищувач високого тиску, відпустіть вимикач і вийміть акумулятор.
- ◆ Вимкніть воду з-під крана.
- ◆ Скинть залишковий тиск, натиснувши вимикач (7), поки вода не перестане виходити з розпилювальної трубки (9).
- ◆ Від'єднайте садовий шланг від водозабірника (3) і зливного шланга.
- ◆ Зніміть садовий шланг з очищувача високого тиску, потягнувши муфту на швидкоз'ємному перехіднику шланга назад і знявши її з швидкоз'ємного фільтра.

Технічне обслуговування

Увага! Щоб знизити ризик серйозних травм, вимкніть пристрій та вийміть акумулятор перед виконанням будь-яких налаштувань або зніманням/установленням додаткового обладнання чи приладдя. Випадковий запуск може призвести до тілесних ушкоджень.

Очищення

Увага! Видавайте бруд і пил з усіх вентиляційних отворів чистим сухим повітрям не рідше одного разу в тиждень. Щоб мінімізувати ризик отримання травм очей, при виконанні цієї операції завжди використовуйте засоби захисту очей.

Увага! Ніколи не використовуйте розчинники та інші агресивні хімічні засоби для очищення неметалевих деталей інструмента. Такі хімічні речовини можуть нанести шкоду пластмасовим матеріалам, що використовуються для цих деталей. Використовуйте вологу тканину, змочену лише водою з м'яким милом. Не дозволяйте рідині потрапляти всередину інструмента та ніколи не занурюйте деталі інструмента в рідину.

Форсунка

Якщо форсунка забивається сторонніми матеріалами, наприклад брудом, може виникнути надмірний тиск.

Якщо форсунка частково забивається або звужується, тиск насоса буде коливатися. негайно очистіть форсунку.

- ◆ Вимкніть очищувач високого тиску (2) і відключіть подачу води.
- ◆ Натисніть вимикач (7) на основній ручці (1), щоб скинути тиск води.
- ◆ Зніміть форсунку з розпилювальної трубки (9), потягнувши швидкоз'ємну муфту (10) до розпилювальної трубки.
- ◆ Очистіть форсунку від сміття.
- ◆ Пропустіть воду з-під крана або садового шланга крізь форсунку.

Пляшка з милом

- ◆ Щоб очистити пляшку з милом, вимкніть очищувач

високого тиску і відключіть подачу води.

- ◆ Натисніть вимикач на ручці пістолета, щоб скинути тиск води.
- ◆ Від'єднайте пляшку з милом (11) від очищувача високого тиску і відкрутіть форсунку пляшки з милом.
- ◆ Щоб очистити пляшку з милом (11), злийте залишки мючючого засобу назад в ємність. Використовуйте воду із садового шланга, щоб ретельно промити пляшку.
- ◆ Спустоште пляшку і дайте їй висохнути.
- ◆ Встановіть на місце форсунку пляшки з милом на пляшку з милом.

Всмоктувальний шланг

- ◆ Щоб прочистити всмоктувальний шланг (12), вимкніть очищувач високого тиску.
- ◆ Натисніть тригерний вимикач, щоб скинути тиск води.
- ◆ Від'єднайте всмоктувальний шланг (12) від очищувача високого тиску.
- ◆ Щоб прочистити всмоктувальний шланг, використовуйте воду із садового шланга, ретельно промийте всмоктувальний шланг і дайте йому висохнути.

Фільтр всмоктувального шланга (рис. J)

- ◆ Поверніть фільтр (20) на кінці всмоктувального шланга (12) проти годинникової стрілки і зніміть. Вийміть сітчастий фільтр з корпусу фільтра. Промийте всі деталі чистою водою і встановіть на місце.

Швидкоз'ємний фільтр (рис. K)

- ◆ Потягніть муфту на швидкоз'ємному перехіднику шланга назад і від'єднайте садовий або всмоктувальний шланг від швидкоз'ємного фільтра (8).
- ◆ Зніміть швидкоз'ємний фільтр з очищувача високого тиску.
- ◆ В швидкоз'ємному фільтрі (8) є сітчастий фільтр (22). Вийміть сітчастий фільтр, промийте його чистою водою і встановіть на місце.

Перемикач швидкостей (рис. M)

Цей потужний очищувач дозволяє працювати при нижчому тиску для делікатніших робіт або збільшувати швидкість очищувача для високоефективного очищення.

Щоб збільшити швидкість, змістіть перемикач швидкостей (2a) назад до основної ручки (1) у положення «НІ». Цей режим найкраще підходить для застосувань, які потребують більшого тиску.

Для зниження тиску змістіть перемикач швидкостей вперед до розпилювальної трубки (8) у положення «ЛО». Цей режим краще підходить для більших проектів, виконання яких вимагає більше часу.

Примітка. При роботі в режимі «НІ» час роботи очищувача високого тиску буде скорочено в порівнянні з часом роботи у режимі «ЛО».

Зберігання

- Завжди повністю зливайте воду з всмоктувального шланга, очищувача високого тиску, розпилювальної трубки, форсунок і пляшки з милом.
- Зберігати в сухому закритому місці при температурі вище точки замерзання. **ЗБЕРІГАТИ В ПРИМІЩЕННІ.**

Приладдя

Увага! Через те, що інші аксесуари, що не рекомендовані компанією STANLEY FATMAX, не були перевірені з цим продуктом, використання таких аксесуарів з цим інструментом може бути небезпечним. Щоб зменшити ризик отримання травм, з цим виробом слід використовувати тільки аксесуари, рекомендовані компанією STANLEY FATMAX.

Рекомендовані насадки, які можна використовувати з вашим інструментом, доступні за додаткову плату у місцевому дилера або в офіційному сервісному центрі. Якщо вам потрібна допомога в пошуку будь-якого приладдя, зв'яжіться з www.blackanddecker.co.uk.

STZINK2: SFM впускний шланг, комплект перехідників для шланга

STZSBSK3: SFM комплект для очищення (щітка, гумовий скребок, пляшка з милом)

STZSW1: SFM коротка трубка

STZ5N1: SFM форсунка 5-в-1

STZB1: SFM відро

STZQDW: SFM швидкоз'ємна трубка

Захист навколишнього середовища



Роздільний збір. Пристрої та батареї, позначені цим символом, не можна викидати зі звичайним побутовим сміттям.

Пристрої та акумулятори містять матеріали, які можна відновити та переробити, що зменшить потребу у сировині. Будь ласка, видавайте електричні інструменти та батареї на переробку відповідно до місцевих постанов.

Технічні характеристики

		SFMCPC93
Тиск	(бар)	24
Витрата води	(лі/год)	120
Акумуляторна батарея	пост. струму	18 В
Впускний шланг		6 м
Тиск води на вході	(бар)	1,4-6,9
Вхідна вода		Кран холодної води
Норма споживання мила		10% МАКС.

Зарядний пристрій		SFMCB12
Вхідна напруга	В _{вх. струму}	230
Вихідна напруга	В _{вх. струму}	18
Струм	A	2

Акумуляторна батарея		SFMCB202	SFMCB204	SFMCB206
Напруга	В _{вх. струму}	18	18	18
Ємність	Ам-пер-го-дин	2,0	4,0	6,0
Тип		Літій-іонна	Літій-іонна	Літій-іонна

Рівень тиску звукового випромінювання $L_{РА}$: 76,0 дБ(A)
Похибка K= 3 дБ(A)

Вимірний рівень звукової потужності L_{WA} : 86,0 дБ(A)
Похибка K= 2,9 дБ(A);

Декларація про відповідність нормам ЄС

**ДИРЕКТИВА ДЛЯ МЕХАНІЧНОГО ОБЛАДНАННЯ
ДИРЕКТИВА ПРО ШУМИ, ЩО ВИНИКАЮТЬ ПОЗА
ПРИМІЩЕННЯМИ**



SFMCPC93 Очищувач високого тиску

Компанія Stanley Fatmax заявляє, що ця продукція, що описана у розділі «Технічні дані», відповідає вимогам стандартів:

2000/14/ЕС, додаток V

LWA (вимірний рівень звукової потужності) 86 дБ(A),
Похибка (K) = 2,9 дБ(A),

LWA (гарантована акустична потужність) 96 дБ(A).

Особа, що підписалася нижче, несе відповідальність за упорядкування файлу технічних характеристик і робить цю заяву від компанії Stanley Fatmax.

Patrick Diepenbach

Патрік Діпенбах (Patrick Diepenbach)
Керуючий директором, Бенелюкс
Stanley,
Egide Walschaertsstraat 14-18
2800 Mechelen, Бельгія
15.06.2021

**Декларація про відповідність
Регламент з (безпеки) постачання
механічного обладнання, 2008 р.**

**UK
CA**

SFMCP93 Очищувач високого тиску

Компанія Stanley Fatmax заявляє, що ця продукція, що описана у розділі «Технічні дані», відповідає вимогам стандартів:

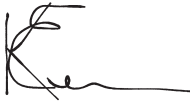
2000/14/EC, додаток V

LWA (вимірний рівень звукової потужності) 86 дБ(A),

Похибка (K) = 2,9 дБ(A),

LWA (гарантована акустична потужність) 96 дБ(A).

Особа, що підписалася нижче, несе відповідальність за упорядкування файлу технічних характеристик і робить цю заяву від компанії StanleyFatmax.



Карл Еванс (Karl Evans)

Вице-президент, відділ професійних електроінструментів
EANZ GTS
Stanley UK,
270 Bath Road, Slough
Berkshire SL1 4DX
Велика Британія
15.06.2021

Гарантія

Компанія Stanley Fat Max впевнена в якості своєї продукції та пропонує споживачам гарантію тривалістю 12 місяці з дати покупки. Ця гарантія доповнює і жодним чином не обмежує ваші законні права.

Ця гарантія є чинною на території країн-членів Європейського Союзу та в європейській зоні вільної торгівлі.

Позив за гарантією повинен відповідати умовам компанії Stanley Fat Max, при цьому вам необхідно буде надати доказ покупки продавцю або спеціалісту офіційного сервісного центру. Умови 1-річної гарантії компанії Stanley Fat Max та місцезнаходження найближчого сервісного центру можна дізнатися в інтернеті на сайті www.2helpU.com або звернутися до місцевого представництва компанії Stanley Fat Max за адресою, вказаною у цьому керівництві.

Будь ласка, відвідайте наш сайт www.stanley.eu/3, щоб зареєструвати свій новий продукт Stanley Fat Max та отримувати інформацію про нові продукти та спеціальні пропозиції.



Виробник:

"Stanley Black & Decker Deutschland GmbH" Black-&-Decker Str.40, D-65510 Idstein, Німеччина

STANLEY
FATMAX

ГАРАНТІЙНИЙ ТАЛОН

3 РОКИ
ГАРАНТІЇ

- Вітаємо Вас з покупкою високоякісного виробу Stanley FATMAX і висловлюємо вдячність за Ваш вибір.
- При покупці виробу вимагайте перевірки його комплектності і справності у Вашій присутності, інструкцію з експлуатації та заповнений гарантійний талон українською мовою. В гарантійному талоні повинні бути внесені: модель, дата продажу, серійний номер, дата виробництва інструменту, назва, печатка і підпис торгової організації. За відсутності у Вас правильно заповненого гарантійного талону, а також при невідповідності зазначених у ньому даних ми будемо змушені відхилити Ваші претензії щодо якості даного виробу.
- Щоб уникнути непорозуміння, переконливо просимо Вас перед початком роботи з виробом уважно ознайомитися з інструкцією з його експлуатації. Правовою основою справжніх гарантійних умов є чинне Законодавство. Гарантійний термін на даний виріб складає 36 місяці і обчислюється з дня продажу. У разі усунення недоліків виробу, гарантійний строк продовжується на період його перебування в ремонті. Термін служби виробу становить 5 років з дня продажу.
- У разі виникнення будь-яких проблем у процесі експлуатації виробу рекомендуємо Вам звертатися тільки в уповноважені сервісні центри Stanley FATMAX, адреси та телефони яких Ви зможете знайти в гарантійному талоні, на сайті www.2helpU.com або дізнатися в магазині. Наші сервісні станції - це не тільки кваліфікований ремонт, але і широкий асортимент запчастин і аксесуарів.
- Виробник рекомендує проводити періодичну перевірку і технічне обслуговування виробу в уповноважених сервісних центрах.
- Наші гарантійні зобов'язання поширюються тільки на несправності, виявлені протягом гарантійного терміну і викликані дефектами виробництва та \ або матеріалів.
- Гарантійні умови не поширюються на несправності виробу, що виникли в результаті:
 - Недотримання користувачем приписів інструкції з експлуатації виробу, застосування виробу не за призначенням, неправильного зберігання, використання приладдя, витратних матеріалів і запчастин, що не передбачені виробником.
 - Механічного пошкодження (відколю, тріщини і руйнування) внутрішніх і зовнішніх деталей виробу, основних і допоміжних рукояток, мережевого кабелю, що викликані зовнішнім ударним або будь-яким іншим впливом
 - Потраплення у вентиляційні отвори та проникнення всередину виробу сторонніх предметів, матеріалів або речовин, що не є відходами, які супроводжують застосування виробу за призначенням, такими як: стружка, тирса, пісок, та ін.
 - Впливу на виріб несприятливих атмосферних і інших зовнішніх факторів, таких як дощ, сніг, підвищена вологість, нагрівання, агресивні середовища, невідповідність параметрів електромережі, що зазначені на інструменті.
 - Стихійного лиха. Пошкодження або втрати виробу, що пов'язані з непередбаченими лихами, стихійними явищами, у тому числі внаслідок дії непереборної сили (пожежа, блискавка, потоп і інші природні явища), а також внаслідок перепадів напруги в електромережі та іншими причинами, які знаходяться поза контролем виробника.
- Гарантійні умови не поширюються:
 - На інструменти, що піддавались розкриттю, ремонту або модифікації поза уповноваженим сервісним центром.
 - На деталі, вузли та матеріали, що мають сліди природного зносу, такі як: приводні реміні і колеса, вугільні щітки, мастило, підшипники, зубчасті зчеплення редукторів, гумові ущільнення, сальники, направляючі ролики, муфти, вимикачі, бойки, штовхачі, стволи тощо.
 - На змінні частини: патрони, цанги, затискні гайки і фланці, фільтри, ножі, шліфувальні підшови, ланцюги, зірочки, пильні шини, захисні кошуки, пилки, абразиви, пильні і абразивні диски, фрези, свердла, бури тощо
 - На несправності, що виникли в результаті перевантаження інструменту (як механічного, так і електричного), що спричинили вихід з ладу одночасно двох і більше деталей і вузлів, таких як: ротора і статора, обох обмоток статора, веденої і ведучої шестерні редуктора або інших вузлів і деталей. До безумовних ознак перевантаження виробу відносяться, крім інших: поява кольорів мільниці, деформація або оплавлення деталей і вузлів виробу, потемніння або обуглювання ізоляції проводів електроприводу під впливом високої температури.

Товар отриманий в справному стані, без видимих ушкоджень, в повній комплектації, перевірений у моїй присутності, претензій щодо якості товару не маю. З умовами гарантійного обслуговування ознайомлений і згоден.

П. І. Б. та підпис власника _____

Шановні клієнти, наша мережа авторизованих сервісних центрів постійно розширюється. Актуальну інформацію про обслуговування в місті, що цікавить вас, ви можете дізнатися на сайті

www.2helpU.com

Редакція ВК/12-12-2018

Інформація про інструмент

Найменування інструменту	
Модель	
Найменування продавця	
Дата продажу	

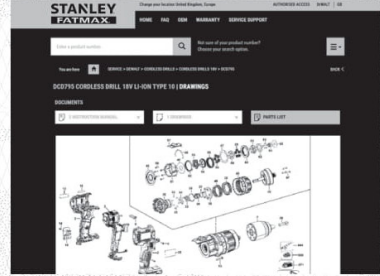
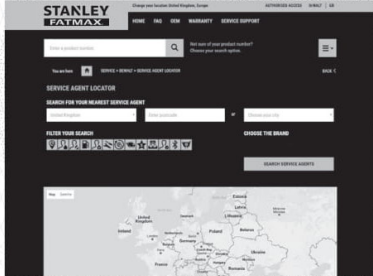
М.П.
Продавця

Серійний номер/Дата виробництва

Інструмент	
Зарядний пристрій	
Акумулятор 1	
Акумулятор 2	

На сайті www.2helpU.com доступні наступні функції:

- Список авторизованих сервісних центрів
- Зручний пошук найближчого сервісного центру
- Керівництво з експлуатації
- Технічні характеристики
- Список деталей і запасних частин
- Схема складання інструменту



Також дану інформацію ви можете отримати, зателефонувавши за номером:
0 (800) 211 521 в Україні

ВІДІТКА ПРО ПРОВЕДЕННЯ СЕРВІСНОГО ОБСЛУГОВУВАННЯ

№1	№2	№3	№4
№ замовлення	№ замовлення	№ замовлення	№ замовлення
Дата прийому	Дата прийому	Дата прийому	Дата прийому
Дата ремонту	Дата ремонту	Дата ремонту	Дата ремонту
Печатка і підпис сервісного центру	Печатка і підпис сервісного центру	Печатка і підпис сервісного центру	Печатка і підпис сервісного центру

