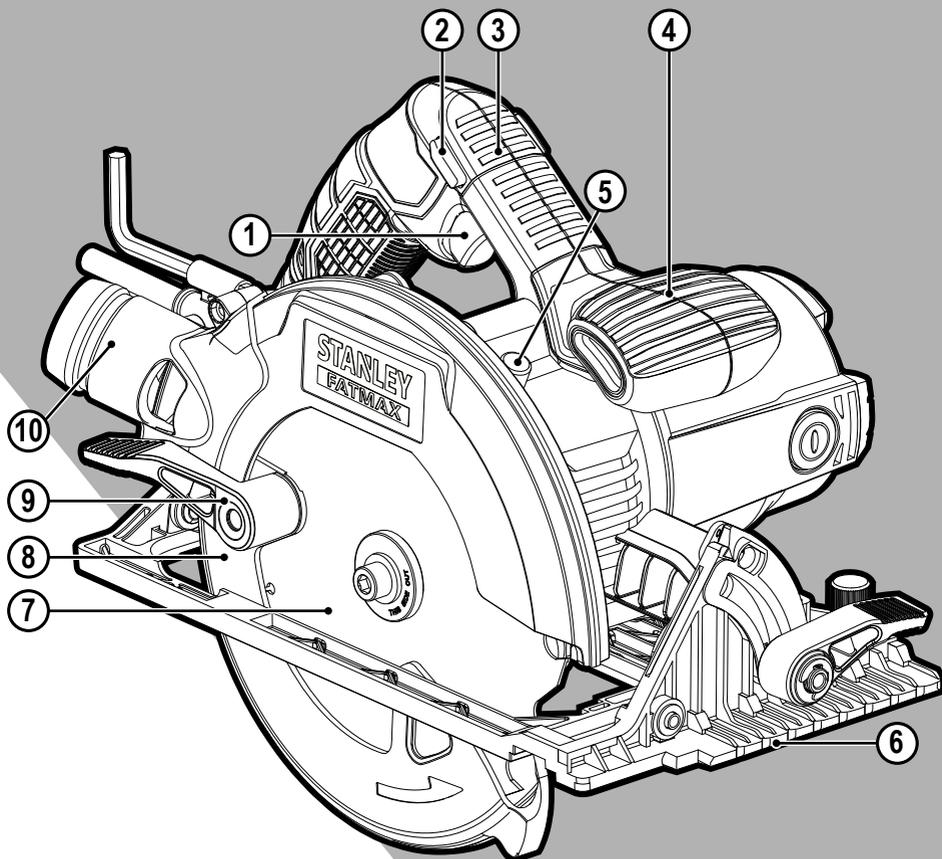


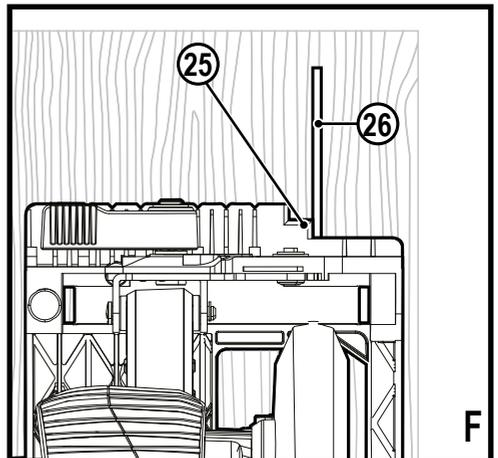
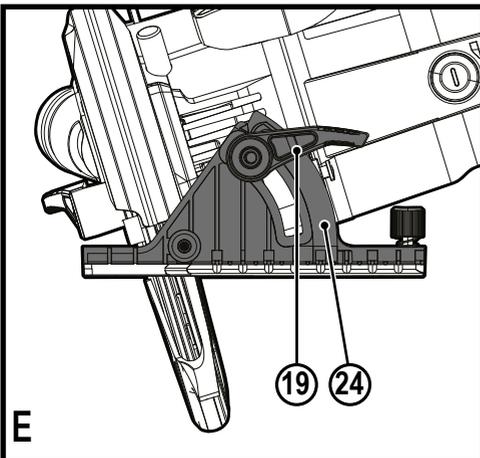
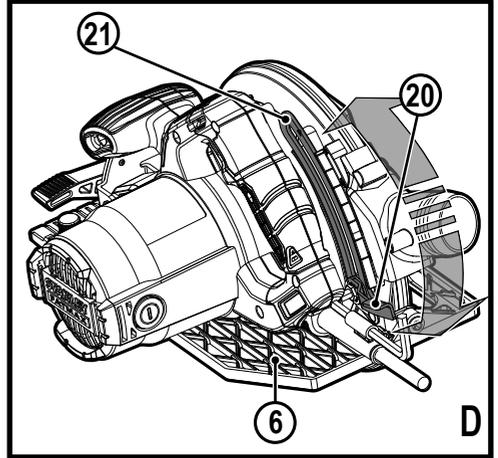
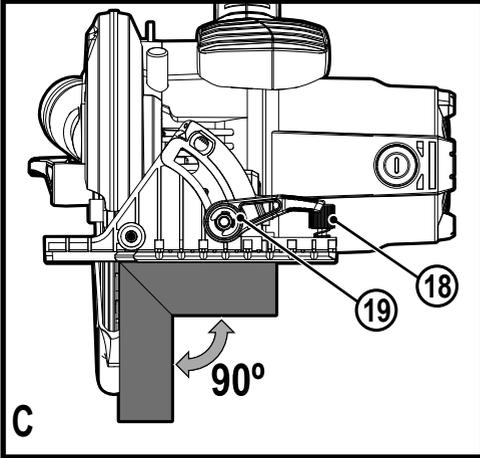
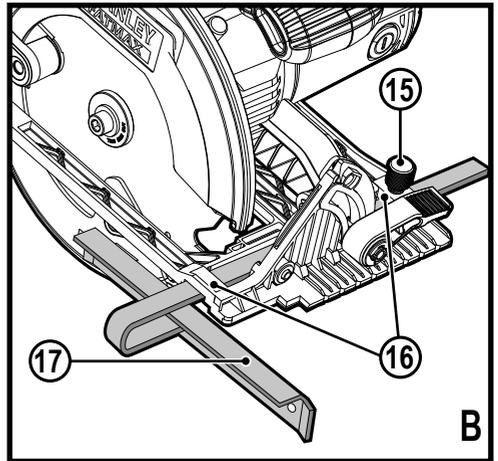
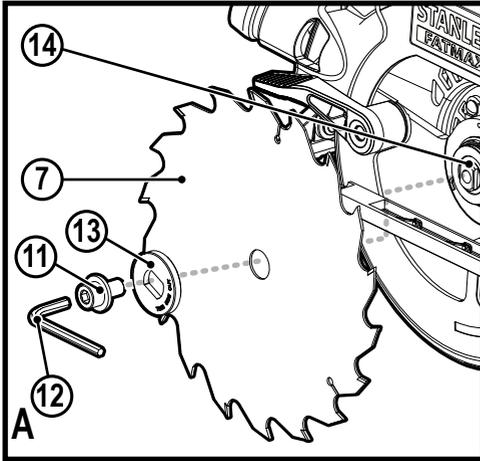
STANLEY®

FATMAX®



www.stanley.eu

KFFMES301



Intended use

Your Stanley Fat Max KFFMES301 circular saw has been designed for sawing wood and wood products. This tool is intended for professional and private, non professional users.

Safety instructions

General power tool safety warnings



Warning! Read all safety warnings and all instructions. Failure to follow the warnings and instructions listed below may result in electric shock, fire and/or serious injury.

Save all warnings and instructions for future reference. The term "power tool" in all of the warnings listed below refers to your mains operated (corded) power tool or battery operated (cordless) power tool.

1. **Work area safety**
 - a. **Keep work area clean and well lit.** Cluttered or dark areas invite accidents.
 - b. **Do not operate power tools in explosive atmospheres, such as in the presence of flammable liquids, gases or dust.** Power tools create sparks which may ignite the dust or fumes.
 - c. **Keep children and bystanders away while operating a power tool.** Distractions can cause you to lose control.
2. **Electrical safety**
 - a. **Power tool plugs must match the outlet. Never modify the plug in any way. Do not use any adapter plugs with earthed (grounded) power tools.** Unmodified plugs and matching outlets will reduce risk of electric shock.
 - b. **Avoid body contact with earthed or grounded surfaces such as pipes, radiators, ranges and refrigerators.** There is an increased risk of electric shock if your body is earthed or grounded.
 - c. **Do not expose power tools to rain or wet conditions.** Water entering a power tool will increase the risk of electric shock.
 - d. **Do not abuse the cord. Never use the cord for carrying, pulling or unplugging the power tool. Keep cord away from heat, oil, sharp edges or moving parts.** Damaged or entangled cords increase the risk of electric shock.
 - e. **When operating a power tool outdoors, use an extension cord suitable for outdoor use.** Use of a cord suitable for outdoor use reduces the risk of electric shock.
 - f. **If operating a power tool in a damp location is unavoidable, use a residual current device (RCD) protected supply.** Use of an RCD reduces the risk of electric shock.
3. **Personal safety**
 - a. **Stay alert, watch what you are doing and use common sense when operating a power tool. Do not use a power tool while you are tired or under the influence of drugs, alcohol or medication.** A moment of inattention while operating power tools may result in serious personal injury.
 - b. **Use personal protective equipment. Always wear eye protection.** Protective equipment such as dust mask, non-skid safety shoes, hard hat, or hearing protection used for appropriate conditions will reduce personal injuries.
 - c. **Prevent unintentional starting. Ensure the switch is in the off-position before connecting to power source and/or battery pack, picking up or carrying the tool.** Carrying power tools with your finger on the switch or energising power tools that have the switch on invites accidents.
 - d. **Remove any adjusting key or wrench before turning the power tool on.** A wrench or a key left attached to a rotating part of the power tool may result in personal injury.
 - e. **Do not overreach. Keep proper footing and balance at all times.** This enables better control of the power tool in unexpected situations.
 - f. **Dress properly. Do not wear loose clothing or jewellery. Keep your hair, clothing and gloves away from moving parts.** Loose clothes, jewellery or long hair can be caught in moving parts.
 - g. **If devices are provided for the connection of dust extraction and collection facilities, ensure these are connected and properly used.** Use of dust collection can reduce dust-related hazards.
4. **Power tool use and care**
 - a. **Do not force the power tool. Use the correct power tool for your application.** The correct power tool will do the job better and safer at the rate for which it was designed.
 - b. **Do not use the power tool if the switch does not turn it on and off.** Any power tool that cannot be controlled with the switch is dangerous and must be repaired.
 - c. **Disconnect the plug from the power source and/or the battery pack from the power tool before making any adjustments, changing accessories, or storing power tools.** Such preventive safety measures reduce the risk of starting the power tool accidentally.
 - d. **Store idle power tools out of the reach of children and do not allow persons unfamiliar with the power tool or these instructions to operate the power tool.** Power tools are dangerous in the hands of untrained users.
 - e. **Maintain power tools.**

Check for misalignment or binding of moving parts, breakage of parts and any other condition that may affect the power tools operation. If damaged, have the power tool repaired before use. Many accidents are caused by poorly maintained power tools.

- f. **Keep cutting tools sharp and clean.** Properly maintained cutting tools with sharp cutting edges are less likely to bind and are easier to control.
 - g. **Use the power tool, accessories and tool bits etc. in accordance with these instructions, taking into account the working conditions and the work to be performed.** Use of the power tool for operations different from those intended could result in a hazardous situation.
5. **Service**
- a. **Have your power tool serviced by a qualified repair person using only identical replacement parts.** This will ensure that the safety of the power tool is maintained.

Additional power tool safety warnings



Warning! Safety instructions for all saws

Cutting procedures

- a. **Keep hands away from cutting area and the blade. Keep your second hand on auxiliary handle, or motor housing.** If both hands are holding the saw, they cannot be cut by the blade.
 - b. **Do not reach underneath the workpiece.** The guard cannot protect you from the blade below the workpiece.
 - c. **Adjust the cutting depth to the thickness of the workpiece.** Less than a full tooth of the blade teeth should be visible below the workpiece.
 - d. **Never hold piece being cut in your hands or across your leg.** Secure the workpiece to a stable platform. It is important to support the work properly to minimize body exposure, blade binding, or loss of control.
 - e. **Hold the power tool by insulated gripping surfaces only, when performing an operation where the cutting tool may contact hidden wiring or its own cord.** Contact with a "live" wire will also make exposed metal parts of the power tool "live" and could give the operator an electric shock.
 - f. **When ripping, always use a rip fence or straight edge guide.** This improves the accuracy of cut and reduces the chance of blade binding.
 - g. **Always use blades with correct size and shape (diamond versus round) of arbour holes.** Blades that do not match the mounting hardware of the saw will run eccentrically, causing loss of control.
 - h. **Never use damaged or incorrect blade washers or bolt.**
- The blade washers and bolt were specially designed for your saw, for optimum performance and safety of operation.
- ### Further safety instructions for all saws
- ### Kickback causes and related warnings
- ◆ kickback is a sudden reaction to a pinched, bound or misaligned saw blade, causing an uncontrolled saw to lift up and out of the workpiece toward the operator;
 - ◆ when the blade is pinched or bound tightly by the kerf closing down, the blade stalls and the motor reaction drives the unit rapidly back toward the operator;
 - ◆ if the blade becomes twisted or misaligned in the cut, the teeth at the back edge of the blade can dig into the top surface of the wood causing the blade to climb out of the kerf and jump back toward the operator.
- Kickback is the result of saw misuse and/or incorrect operating procedures or conditions and can be avoided by taking proper precautions as given below.
- a. **Maintain a firm grip with both hands on the saw and position your arms to resist kickback forces. Position your body to either side of the blade, but not in line with the blade.** Kickback could cause the saw to jump backwards, but kickback forces can be controlled by the operator, if proper precautions are taken.
 - b. **When blade is binding, or when interrupting a cut for any reason, release the trigger and hold the saw motionless in the material until the blade comes to a complete stop. Never attempt to remove the saw from the work or pull the saw backward while the blade is in motion or kickback may occur.** Investigate and take corrective actions to eliminate the cause of blade binding.
 - c. **When restarting a saw in the workpiece, centre the saw blade in the kerf and check that saw teeth are not engaged into the material.** If saw blade is binding, it may walk up or kickback from the workpiece as the saw is restarted.
 - d. **Support large panels to minimise the risk of blade pinching and kickback.** Large panels tend to sag under their own weight. Supports must be placed under the panel on both sides, near the line of cut and near the edge of the panel.
 - e. **Do not use dull or damaged blades.** Unsharpened or improperly set blades produce narrow kerf causing excessive friction, blade binding and kickback.
 - f. **Blade depth and bevel adjusting locking levers must be tight and secure before making cut.** If blade adjustment shifts while cutting, it may cause binding and kickback.
- a. **Use extra caution when sawing into existing walls or other blind areas.** The protruding blade may cut objects that can cause kickback.

Lower guard function

- a. **Check lower guard for proper closing before each use. Do not operate the saw if lower guard does not move freely and close instantly. Never clamp or tie the lower guard into the open position.** If saw is accidentally dropped, lower guard may be bent. Raise the lower guard with the retracting handle and make sure it moves freely and does not touch the blade or any other part, in all angles and depths of cut.
- b. **Check the operation of the lower guard spring. If the guard and the spring are not operating properly, they must be serviced before use.** Lower guard may operate sluggishly due to damaged parts, gummy deposits, or a build-up of debris.
- c. **Lower guard may be retracted manually only for special cuts such as "plunge cuts" and "compound cuts".** Raise lower guard by retracting handle and as soon as blade enters the material, the lower guard must be released. For all other sawing, the lower guard should operate automatically.
- d. **Always observe that the lower guard is covering the blade before placing saw down on bench or floor.** An unprotected, coasting blade will cause the saw to walk backwards, cutting whatever is in its path. Be aware of the time it takes for the blade to stop after switch is released.

Residual risks

Additional residual risks may arise when using the tool which may not be included in the enclosed safety warnings. These risks can arise from misuse, prolonged use etc.

Even with the application of the relevant safety regulations and the implementation of safety devices, certain residual risks can not be avoided. These include:

- ◆ Injuries caused by touching any rotating/moving parts.
- ◆ Injuries caused when changing any parts, blades or accessories.
- ◆ Injuries caused by prolonged use of a tool. When using any tool for prolonged periods ensure you take regular breaks.
- ◆ Impairment of hearing.
- ◆ Health hazards caused by breathing dust developed when using your tool (example:- working with wood, especially oak, beech and MDF.)

Saw blades

- ◆ Do not use blades of larger or smaller diameter than recommended. For the proper blade rating refer to the technical data. Use only the blades specified in this manual, complying with EN 847-1.
- ◆ **Warning!** Never use abrasive wheels.

Safety of others

- ◆ This appliance is not intended for use by persons (including children) with reduced physical, sensory or mental capabilities, or lack of experience and knowledge, unless they have been given supervision or instruction concerning use of the appliance by a person responsible for their safety.
- ◆ Children should be supervised to ensure that they do not play with the appliance.

Vibration

The declared vibration emission values stated in the technical data and the declaration of conformity have been measured in accordance with a standard test method provided by EN 60745 and may be used for comparing one tool with another. The declared vibration emission value may also be used in a preliminary assessment of exposure.

Warning! The vibration emission value during actual use of the power tool can differ from the declared value depending on the ways in which the tool is used. The vibration level may increase above the level stated.

When assessing vibration exposure to determine safety measures required by 2002/44/EC to protect persons regularly using power tools in employment, an estimation of vibration exposure should consider, the actual conditions of use and the way the tool is used, including taking account of all parts of the operating cycle such as the times when the tool is switched off and when it is running idle in addition to the trigger time.

Labels on tool

The following symbols, along with the date code, are shown on the tool:



Warning! To reduce the risk of injury, the user must read the instruction manual.

Electrical safety



This tool is double insulated; therefore no earth wire is required. Always check that the power supply corresponds to the voltage on the rating plate.

- ◆ If the supply cord is damaged, it must be replaced by the manufacturer or an authorised Stanley Fat Max Service Centre in order to avoid a hazard.

Features

This tool includes some or all of the following features.

1. On/off switch
2. Lock-off button
3. Main handle
4. Secondary handle
5. Spindle lock button

6. Shoe
7. Saw blade
8. Saw blade guard
9. Guard handle
10. Saw dust outlet

Assembly

Warning! Before attempting any of the following operations, make sure that the tool is switched off and unplugged and that the saw blade has stopped.

Removing and fitting a saw blade (fig. A)

Removing

- ◆ Keep the spindle lock button (5) depressed and rotate the blade until the spindle lock engages.
- ◆ Loosen and remove the blade retaining screw (11) by turning it counterclockwise using the spanner (12) supplied.
- ◆ Remove the outer washer (13).
- ◆ Remove the saw blade (7).

Fitting

- ◆ Place the saw blade onto the inner flange (14), making sure that the arrow on the blade points in the same direction as the arrow on the tool.
- ◆ Fit the outer washer (13) on the spindle, with the raised part pointing away from the saw blade.
- ◆ Insert the blade retaining screw (11) into the hole.
- ◆ Keep the spindle lock button (5) depressed.
- ◆ Securely tighten the blade retaining screw by turning it clockwise using the spanner (12) supplied.

Fitting and removing the parallel fence (fig. B)

- ◆ The parallel fence is used to saw in a straight line parallel to the edge of the workpiece.

Fitting

- ◆ Loosen the locking knob (16).
- ◆ Insert the parallel fence (17) through the openings (18).
- ◆ Slide the parallel fence into the desired position.
- ◆ Tighten the locking knob.

Removing

- ◆ Loosen the locking knob.
- ◆ Pull the parallel fence off the tool.

Use

Warning! Let the tool work at its own pace. Do not overload. This tool can be used in the right hand or the left hand.

Adjusting the sawing angle (fig. C)

- ◆ Use a square to check that the angle between the saw blade and the shoe is 90°.

If the angle does not measure 90° adjust as follows:

- ◆ Loosen the locking knob (19) to unlock the saw shoe.
- ◆ Loosen the locknut (20) on the adjusting screw (21).
- ◆ Screw the adjusting screw in or out to achieve a 90° angle.
- ◆ Retighten the locknut.
- ◆ Tighten the locking knob to lock the saw shoe in place.

Adjusting the depth of cut (fig. D)

The depth of cut should be set according to the thickness of the workpiece. It should exceed the thickness by approx. 2 mm.

- ◆ Loosen the knob (20) to unlock the saw shoe.
- ◆ Move the saw shoe (6) into the desired position. The corresponding depth of cut can be read from the scale (21).
- ◆ Tighten the knob to lock the saw shoe in place.

Adjusting the bevel angle (fig. E)

This tool can be set to bevel angles between 0° and 45°.

- ◆ Loosen the locking knob (19) to unlock the saw shoe.
- ◆ Move the saw shoe (6) into the desired position. The corresponding bevel angle can be read from the scale (24).
- ◆ Tighten the locking knob to lock the saw shoe in place.

Switching on and off

- ◆ To switch the tool on, move the lock-off button (2) into the unlock position and squeeze the on/off switch (1). ◆ To switch the tool off, release the on/off switch.

Sawing

Always hold the tool with both hands.

- ◆ Let the blade run freely for a few seconds before starting the cut.
- ◆ Apply only a gentle pressure to the tool while performing the cut.
- ◆ Work with the shoe pressed against the workpiece.

Note: Take care not to allow the blade tips to overheat.

Using the sight guide (fig. F)

The tool is equipped with a sight guide for straight cutting (25).

- ◆ Adjust the sight guide as described below.
- ◆ Align the left edge of the guides (25) with the cutting line (26).

Dust extraction

An adaptor is required to connect a vacuum cleaner or dust extractor to the tool.

- ◆ Insert the dust extraction adaptor into the saw dust outlet (10).
- ◆ Connect the vacuum cleaner hose to the adaptor.

Hints for optimum use

- ◆ Always use the appropriate type of saw blade for the workpiece material and type of cut.
- ◆ Always hold the tool with both hands.
- ◆ Let the blade run freely for a few seconds before starting the cut.
- ◆ Apply only a gentle pressure to the tool while performing the cut.
- ◆ Work with the shoe pressed against the workpiece.
- ◆ As some splintering along the line of cut on the top side of the workpiece cannot be avoided, cut on the side where splintering is acceptable.
- ◆ Where splintering is to be minimised, e.g. when cutting laminates, clamp a piece of plywood onto the top of the workpiece.
- ◆ Support large panels to minimize the risk of blade pinching and kickback. Large panels tend to sag under their own weight.
- ◆ Supports must be placed under the panel on both sides, near the line of cut and near the edge of the panel being cut.
- ◆ Never hold piece being cut in your hands or across your leg.
- ◆ Secure the workpiece to a stable platform using clamps. It is important to support the work properly to minimize body exposure, blade binding, or loss of control.

Maintenance

Your Stanley FatMax corded/cordless appliance/tool has been designed to operate over a long period of time with a minimum of maintenance. Continuous satisfactory operation depends upon proper tool care and regular cleaning.

Warning! Before performing any maintenance on corded/cordless power tools:

- ◆ Switch off and unplug the appliance/tool.
- ◆ Or switch off and remove the battery from the appliance/tool if the appliance/tool has a separate battery pack.
- ◆ Or run the battery down completely if it is integral and then switch off.
- ◆ Unplug the charger before cleaning it. Your charger does not require any maintenance apart from regular cleaning.
- ◆ Regularly clean the ventilation slots in your appliance/tool/charger using a soft brush or dry cloth.
- ◆ Regularly clean the motor housing using a damp cloth. Do not use any abrasive or solvent-based cleaner.
- ◆ Regularly open the chuck and tap it to remove any dust from the interior (when fitted).

Mains plug replacement (U.K. & Ireland only)

If a new mains plug needs to be fitted:

- ◆ Safely dispose of the old plug.

- ◆ Connect the brown lead to the live terminal in the new plug.
- ◆ Connect the blue lead to the neutral terminal.

Warning! No connection is to be made to the earth terminal. Follow the fitting instructions supplied with good quality plugs. Recommended fuse: 13 A.

Protecting the environment

Separate collection. Products and batteries marked with this symbol must not be disposed of with normal household waste.

Products and batteries contain materials that can be recovered or recycled, reducing demand for raw materials. Please recycle electrical products and batteries according to local provisions. Further information is available at www.2helpU.com

Technical data

KFFMES301 (Type 1)		
Input voltage	V _{Ac}	230
Power input	W	1650
No-load speed	Min ⁻¹	5500
Max. depth of cut	mm	66
Blade diameter	mm	190
Blade bore	mm	16
Blade tip width	mm	1.8
Weight	kg	3.9 (4.31 with blade)

Level of sound pressure according to EN 60745:

Sound pressure (L_{pa}) 89,0 dB(A), uncertainty (K) 3 dB(A)

Sound power (L_{wa}) 100 dB(A), uncertainty (K) 3 dB(A)

Vibration total values (triax vector sum) according to EN 60745:

Vibration emission value (a_{h,v}) 2.6 m/s², uncertainty (K) 1.5 m/s² (cutting wood)

**EC declaration of conformity
MACHINERY DIRECTIVE**

KFFMES301 - Circular saw

Stanley Europe declares that these products described under "technical data" are in compliance with:
EN60745-1:2009+A11:2010, EN60745-2-5:2010

These products also comply with Directive
2006/42/EC, 2014/30/EU and 2011/65/EU.

For more information, please contact Stanley Fat Max at the following address or refer to the back of the manual.

The undersigned is responsible for compilation of the technical file and makes this declaration on behalf of Stanley Fat Max.



R. Laverick
Engineering Director
Stanley Fat Max Europe, 210 Bath Road, Slough,
Berkshire, SL1 3YD
United Kingdom
07/02/2018

Garantie

Stanley Europe is confident of the quality of its products and offers consumers a 12 month guarantee from the date of purchase. This guarantee is in addition to and in no way prejudices your statutory rights. The guarantee is valid within the territories of the Member States of the European Union and the European Free Trade Area.

To claim on the guarantee, the claim must be in accordance with Stanley Europe Terms and Conditions and you will need to submit proof of purchase to the seller or an authorised repair agent.

Terms and conditions of the Stanley Europe 1 year guarantee and the location of your nearest authorised repair agent can be obtained on the Internet at www.2helpU.com, or by contacting your local Stanley Fat Max office at the address indicated in this manual.

Please visit our website www.stanley.eu/3 to register your new Stanley Fat Max product and receive updates on new products and special offers.

Verwendungszweck

Ihre Stanley Fat Max KFFMES301 Kreissäge wurde zum Sägen von Holz und Holzprodukten entwickelt. Dieses Gerät ist zum gewerblichen und privaten Einsatz vorgesehen.

Sicherheitshinweise

Allgemeine Sicherheitswarnungen für das Gerät



Warnung! Lesen Sie alle Sicherheitshinweise und alle Anweisungen. Die Nichteinhaltung der folgenden Warnungen und Anweisungen kann einen elektrischen Schlag, Brand und/oder schwere Verletzungen verursachen.

Bewahren Sie alle Sicherheitswarnungen und Anweisungen gut auf. Der nachfolgend verwendete Begriff "Gerät" bezieht sich auf netzbetriebene Geräte (mit Netzkabel) und auf akkubetriebene Geräte (ohne Netzkabel).

1. Sicherheit im Arbeitsbereich

- a. **Halten Sie Ihren Arbeitsbereich sauber und gut ausgeleuchtet.** Unaufgeräumte oder dunkle Bereiche begünstigen Unfälle.
- b. **Betreiben Sie das Gerät nicht in Umgebungen, in denen Explosionsgefahr z. B. aufgrund von brennbaren Flüssigkeiten, Gasen oder Staub besteht.** Geräte erzeugen Funken, die den Staub oder die Dämpfe entzünden können.
- c. **Halten Sie Kinder und andere Personen während der Benutzung eines Geräts fern.** Bei Ablenkung können Sie die Kontrolle verlieren.

2. Elektrische Sicherheit

- a. **Der Netzstecker des Geräts muss in die Steckdose passen.** Ändern Sie niemals den Stecker in irgendeiner Form. **Verwenden Sie keinerlei Adapterstecker an geerdeten Elektrogeräten.** Unveränderte Stecker und passende Steckdosen mindern die Gefahr eines elektrischen Schlages.
- b. **Vermeiden Sie Körperkontakt mit geerdeten Oberflächen von Rohren, Heizungen, Herden und Kühlschränken.** Es besteht eine erhöhte Gefahr für einen elektrischen Schlag, wenn Ihr Körper geerdet ist.
- c. **Halten Sie Geräte von Regen und Nässe fern.** Das Eindringen von Wasser in ein Gerät erhöht das Risiko eines elektrischen Schlags.
- d. **Verwenden Sie das Kabel ordnungsgemäß. Verwenden Sie es niemals zum Tragen. Trennen Sie das Gerät nicht durch Ziehen am Kabel vom Netz. Halten Sie das Kabel fern von Hitze, Öl, scharfen Kanten oder beweglichen Teilen.**

Beschädigte oder verhedderte Kabel erhöhen die Gefahr eines elektrischen Schlags.

- e. **Verwenden Sie nur für den Außenbereich zugelassene Verlängerungskabel, wenn Sie mit dem Gerät im Freien arbeiten.** Die Verwendung eines für den Außenbereich geeigneten Verlängerungskabels verringert das Risiko eines elektrischen Schlags.
- f. **Wenn das Gerät in einer feuchten Umgebung verwendet werden muss, schließen Sie es unbedingt an eine Steckdose mit Fehlerstromschutzschalter (FI-Schalter) an.** Ein Fehlerstromschutzschalter verringert das Risiko eines elektrischen Schlags.

3. Sicherheit von Personen

- a. **Seien Sie aufmerksam, achten Sie darauf, was Sie tun, und gehen Sie sachgerecht mit einem Gerät um. Benutzen Sie kein Gerät, wenn Sie müde sind oder unter dem Einfluss von Drogen, Alkohol oder Medikamenten stehen.** Ein Moment der Unachtsamkeit beim Betrieb eines Geräts kann zu schweren Verletzungen führen.
- b. **Verwenden Sie eine geeignete Schutzausrüstung. Tragen Sie immer einen Augenschutz.** Das Tragen persönlicher Schutzausrüstung, wie Staubmaske, rutschfeste Sicherheitsschuhe, Schutzhelm oder Gehörschutz, je nach Art und Einsatz des Geräts, verringert das Risiko von Verletzungen.
- c. **Vermeiden Sie eine unbeabsichtigte Inbetriebnahme. Vergewissern Sie sich, dass das Gerät ausgeschaltet ist, bevor Sie es an eine Steckdose oder einen Akku anschließen, es hochheben oder tragen.** Wenn Sie beim Tragen des Geräts den Finger am Schalter haben oder das Gerät eingeschaltet an die Stromversorgung anschließen, kann dies zu Unfällen führen.
- d. **Entfernen Sie Einstell- oder Schraubenschlüssel, bevor Sie das Gerät einschalten.** Werkzeuge oder Schlüssel, die an rotierenden Teilen des Elektrogerätes angebracht sind, können zu Verletzungen führen.
- e. **Beugen Sie sich nicht zu weit nach vorne. Sorgen Sie für einen sicheren Stand und halten Sie jederzeit das Gleichgewicht.** Dadurch können Sie das Gerät in unerwarteten Situationen besser kontrollieren.
- f. **Tragen Sie geeignete Kleidung. Tragen Sie keine weite Kleidung und keinen Schmuck. Halten Sie Ihre Haare, Kleidung und Handschuhe von beweglichen Teilen fern.** Lose sitzende Kleidung, Schmuck oder lange Haare können sich in den beweglichen Teilen verfangen.
- g. **Falls Vorrichtungen zum Absaugen oder Auffangen von Staub vorhanden sind, vergewissern Sie sich, dass diese angeschlossen sind und richtig verwendet werden.** Das Verwenden einer Staubauffangvorrichtung verringert Gefährdungen durch Staub.

4. Gebrauch und Pflege von Geräten

- a. **Überlasten Sie das Gerät nicht. Verwenden Sie das für Ihre Arbeit passende Gerät.** Das richtige Gerät wird die Aufgabe besser und sicherer erledigen, wenn es bestimmungsgemäß verwendet wird.
- b. **Verwenden Sie das Gerät nicht, wenn der Ein-/Ausschalter nicht funktioniert.** Ein Gerät, das sich nicht mehr ein- oder ausschalten lässt, ist gefährlich und muss repariert werden.
- c. **Ziehen Sie den Stecker aus der Steckdose, oder trennen Sie das Gerät vom Akku, bevor Sie Einstellungen vornehmen, Zubehörteile wechseln oder das Gerät lagern.** Diese Vorbeugemaßnahmen mindern die Gefahr, dass das Elektrogerät unbeabsichtigt startet.
- d. **Bewahren Sie unbenutzte Geräte außerhalb der Reichweite von Kindern auf. Lassen Sie Geräte nicht von Personen benutzen, die damit nicht vertraut sind oder diese Anweisungen nicht gelesen haben.** Geräte sind in den Händen nicht geschulter Personen gefährlich.
- e. **Halten Sie das Gerät in einem einwandfreien Zustand. Kontrollieren Sie, ob bewegliche Teile falsch ausgerichtet sind oder klemmen und ob Teile gebrochen oder so beschädigt sind, dass die Funktion des Geräts beeinträchtigt ist. Bei Beschädigungen lassen Sie das Gerät reparieren, bevor Sie es verwenden.** Viele Unfälle entstehen wegen mangelnder Wartung der Geräte.
- f. **Halten Sie Schneidgeräte scharf und sauber.** Richtig gewartete Schneidwerkzeuge mit scharfen Klingen blockieren seltener und sind leichter unter Kontrolle zu halten.
- g. **Verwenden Sie Geräte, Zubehör, Einsätze usw. entsprechend diesen Anweisungen und berücksichtigen Sie dabei die Arbeitsbedingungen und die auszuführende Arbeit.** Der Gebrauch von Geräten für andere als die vorgesehenen Zwecke kann zu gefährlichen Situationen führen.

5. Service

- a. **Lassen Sie das Gerät nur von qualifiziertem Fachpersonal und nur mit Originalersatzteilen reparieren.** Damit wird sichergestellt, dass die Sicherheit des Geräts erhalten bleibt.

Zusätzliche Sicherheitswarnungen für das Gerät



Warnung! Sicherheitshinweise für Sägen

Vorgehen beim Sägen

- a. **Halten Sie Ihre Hände vom Sägebereich und dem Sägeblatt fern.**

Halten Sie die andere Hand am Zusatzgriff oder dem Motorgehäuse. Wenn Sie die Säge mit beiden Händen halten, kann das Sägeblatt keine Verletzungen an den Händen verursachen.

- b. **Greifen Sie niemals unter das Werkstück.** Die Schutzvorrichtungen können Sie nicht vor dem Teil des Sägeblatts schützen, der sich unterhalb des Werkstücks befindet.
- c. **Stellen Sie die Schnitttiefe auf die Dicke des Werkstücks ein.** Unterhalb des Werkstücks sollte weniger als ein ganzer Sägezahn sichtbar sein.
- d. **Halten Sie das zu schneidende Werkstück niemals mit den Händen oder über den Beinen.** Sichern Sie das Werkstück auf einer stabilen Plattform. Es ist wichtig, das Werkstück richtig abzustützen, damit Ihr Körper geschützt wird, die Trennscheibe nicht festklemmt und Sie die Kontrolle behalten.
- e. **Halten Sie das Gerät nur an den isolierten Griffflächen, wenn Sie Arbeiten ausführen, bei denen der Fräseinsatz ein verdecktes Kabel oder das Gerätekaabel berühren könnte.** Der Kontakt mit stromführenden Leitungen setzt auch offen liegende Metallteile am Gerät unter Strom und kann zu Stromschlägen führen.
- f. **Verwenden Sie beim Längsschneiden stets einen Parallelanschlag oder eine gerade Schnittführung.** Auf diese Weise wird die Genauigkeit des Schnitts verbessert, und die Gefahr, dass sich das Sägeblatt verklemmt, wird reduziert.
- g. **Verwenden Sie stets Sägeblätter der richtigen Größe und Form (Diamant kontra rund) der Wellenbohrungen.** Trennscheiben, die nicht zu den Befestigungsteilen der Säge passen, laufen exzentrisch, was zu einem Kontrollverlust führt.
- h. **Verwenden Sie niemals beschädigte oder falsche Unterlegscheiben oder einen beschädigten oder falschen Bolzen für das Sägeblatt.** Die Unterlegscheiben und der Bolzen für die Trennscheibe wurden speziell für Ihre Säge konstruiert, so dass eine optimale Leistung und Betriebssicherheit erzielt wird.

Weitere Sicherheitsanweisungen für alle Sägen

Rückschlagursachen und damit verbundene Sicherheitshinweise

- ◆ ein Rückschlag ist die plötzliche Reaktion auf ein eingeklemmtes, hängendes oder falsch ausgerichtetes Sägeblatt. Dies führt dazu, dass sich die Säge unkontrolliert nach oben und aus dem Werkstück in Richtung Benutzer herausbewegt;
- ◆ falls das Sägeblatt eingeklemmt wird oder durch den Schlitz hängen bleibt, so wird das Sägeblatt festgebremst, und durch die Reaktion des Motors wird die Einheit rasch zum Benutzer zurückschnellt;

- ◆ falls das Sägeblatt verdreht oder im Schnitt falsch ausgerichtet wird, so können sich die Zähne an der Hinterkante des Sägeblatts in die Oberfläche des Holzes graben, wodurch das Sägeblatt aus dem Schlitz "herausklettert" und in Richtung Benutzer zurückschnellt.

Ein Rückschlag ist das Resultat eines Missbrauchs und/oder einer falschen Bedienung der Säge oder falscher Bedingungen und kann durch die entsprechenden unten angegebenen Vorsichtsmaßnahmen vermieden werden.

- a. **Halten Sie die Säge mit beiden Händen fest, und positionieren Sie Ihre Arme so, dass Sie Rückschlägen entgegenwirken können. Positionieren Sie Ihren Körper auf einer der beiden Seiten des Sägeblatts, jedoch nicht in einer Reihe mit dem Sägeblatt.** Ein Rückschlag kann dazu führen, dass die Säge zurückschnellt; die Rückschlagkräfte können jedoch vom Bediener unter Kontrolle gehalten werden, wenn entsprechende Vorsichtsmaßnahmen getroffen werden.
- b. **Wenn das Sägeblatt klemmt oder Sie die Schneidarbeit aus sonstigen Gründen unterbrechen wollen, schalten Sie die Säge aus, und halten Sie sie bewegungslos im Material, bis das Sägeblatt vollständig zum Stillstand kommt. Versuchen Sie niemals, das Sägeblatt aus dem Werkstück zu entfernen oder nach hinten zu ziehen, während das Sägeblatt in Bewegung ist, da dies zu einem Rückschlag führen kann.** Untersuchen Sie den Fall und treffen Sie Abhilfemaßnahmen, um die Ursache des Hängens des Sägeblatts zu beseitigen.
- c. **Wird eine Säge im Werkstück wieder in Betrieb genommen, zentrieren Sie das Sägeblatt im Schlitz und vergewissern Sie sich, dass die Sägeblattzähne nicht in das Material eingreifen.** Wenn das Sägeblatt klemmt, kann es beim erneuten Einschalten nach oben gehoben werden, oder es kann zu einem Rückschlag vom Werkstück kommen.
- d. **Stützen Sie große Platten ab, damit das Sägeblatt nicht eingeklemmt wird und kein Rückschlag entsteht.** Große Platten neigen zum Durchbiegen unter ihrem eigenen Gewicht. Unter der Platte in der Nähe der Schnittlinie und in der Nähe der Plattenkante müssen auf beiden Seiten Stützen platziert werden.
- e. **Verwenden Sie niemals stumpfe oder beschädigte Sägeblätter.** Ungeschärfte oder falsch geschränkte Sägeblätter erzeugen einen schmalen Sägeschlitz. Die Folge sind übermäßige Reibung, Verklemmen des Sägeblatts und Rückschlag.
- f. **Die Sicherungshebel für die Sägeblatttiefe und -neigung müssen fest und gesichert sein, bevor der Schnitt durchgeführt wird.** Wenn sich die Sägeblatteinstellung beim Schneiden ändert, kann dies zu Klemmen und Rückschlag führen.

- a. **Seien Sie besonders vorsichtig bei Schnitten in bestehende Wände oder andere nicht einsehbare Bereiche.** Das hervorstehende Sägeblatt kann Gegenstände durchtrennen und zu Rückschlägen führen.

Funktion der unteren Schutzvorrichtung

- a. Überprüfen Sie vor jedem Gebrauch, dass die untere Schutzvorrichtung einwandfrei schließt. **Betreiben Sie die Säge nicht, falls sich die untere Schutzvorrichtung nicht ungehindert bewegt und nicht sofort schließen lässt. Spannen oder binden Sie die untere Schutzvorrichtung niemals in der geöffneten Stellung fest.** Wird die Säge versehentlich fallengelassen, so kann sich die untere Schutzvorrichtung verbiegen. Heben Sie die untere Schutzvorrichtung am Einzugshebel an und vergewissern Sie sich, dass sie sich ungehindert bewegt und nicht das Sägeblatt oder andere Teile berührt. Dies gilt für alle Winkel und Schnitttiefen.
- b. Überprüfen Sie die Funktionsfähigkeit der Feder für die untere Schutzvorrichtung. **Falls Schutzvorrichtung und Feder nicht einwandfrei funktionieren, so müssen diese Teile vor dem Gebrauch instandgesetzt werden.** Möglicherweise arbeitet die untere Schutzvorrichtung aufgrund beschädigter Teile, Harzablagerungen oder einer Ansammlung von Spänen schwergängig.
- c. **Die untere Schutzvorrichtung sollte nur bei speziellen Schnitten wie Eintauch- und Verbundschnitten von Hand zurückgezogen werden.** Heben Sie die untere Schutzvorrichtung an, indem Sie den Einzugshebel einfahren, und sobald das Sägeblatt in den Werkstoff tritt, muss die untere Schutzvorrichtung freigegeben werden. Bei allen anderen Sägearbeiten muss die untere Schutzvorrichtung automatisch arbeiten.
- d. **Achten Sie stets darauf, dass die untere Schutzvorrichtung das Sägeblatt abdeckt, bevor die Säge auf der Werkbank oder dem Boden abgesetzt wird.** Ein ungeschützt auslaufendes Sägeblatt löst eine Rückwärtsbewegung der Säge aus und zerschneidet alles, was sich im Weg befindet. Seien Sie sich darüber im Klaren, dass es einige Zeit dauert, bis das Sägeblatt zum Stillstand kommt, nachdem der Schalter losgelassen wurde.

Restrisiken

Beim Gebrauch dieses Geräts verbleiben zusätzliche Restrisiken, die möglicherweise nicht in den Sicherheitswarnungen genannt werden. Diese Risiken bestehen beispielsweise bei Missbrauch oder längerem Gebrauch.

Auch bei der Einhaltung der entsprechenden Sicherheitsvorschriften und der Verwendung aller Sicherheitsgeräte bestehen weiterhin bestimmte Restrisiken. Diese sind:

- ◆ Verletzungen, die durch das Berühren von sich drehenden/bewegenden Teilen verursacht werden.

- ◆ Verletzungen, die durch das Austauschen von Teilen, Messern oder Zubehör verursacht werden.
- ◆ Verletzungen, die durch längeren Gebrauch eines Geräts verursacht werden. Legen Sie bei längerem Gebrauch regelmäßige Pausen ein.
- ◆ Beeinträchtigung des Gehörs.
- ◆ Gesundheitsrisiken durch das Einatmen von Staub beim Verwenden des Geräts (beispielsweise bei Holzarbeiten, insbesondere Eiche, Buche und MDF.)

Sägeblätter

- ◆ Verwenden Sie keine Blätter mit einem kleineren oder größeren Durchmesser als empfohlen. Angaben über die richtigen Sägeblätter sind den Technischen Daten zu entnehmen. Verwenden Sie nur die in diesem Handbuch spezifizierten Sägeblätter im Einklang mit EN 847-1.
- ◆ **Warnung!** Verwenden Sie auf keinen Fall Trennscheiben.

Sicherheit anderer Personen

- ◆ Dieses Gerät darf nicht von Personen (einschließlich Kindern) mit eingeschränkten physischen, sensorischen oder mentalen Fähigkeiten oder ohne ausreichende Erfahrung oder Kenntnisse verwendet werden, außer wenn diese Personen von einer Person, die für ihre Sicherheit verantwortlich ist, bei der Verwendung des Geräts beaufsichtigt oder mit ihm vertraut gemacht werden.
- ◆ Kinder müssen beaufsichtigt werden, um sicherzustellen, dass sie nicht mit dem Gerät spielen.

Vibration

Die in den Abschnitten "Technische Daten" und "EU-Konformitätserklärung" angegebenen Werte für die Vibrationsemission wurden mit einer Standard-Prüfmethode nach EN 60745 ermittelt und können zum Vergleich verschiedener Geräte herangezogen werden. Außerdem kann mit Hilfe dieses Werts die Belastung bei Verwendung des Geräts schon im Voraus eingeschätzt werden.

Warnung! Die bei Verwendung des Geräts auftretende Vibrationsemission hängt von der Art des Gerätegebrauchs ab und kann dementsprechend von dem angegebenen Wert abweichen. Gegebenenfalls kann die Vibration über dem angegebenen Wert liegen.

Für die Ermittlung der Vibrationsbelastung müssen die tatsächlichen Einsatzbedingungen und Verwendungen des Geräts während des gesamten Arbeitsgangs berücksichtigt werden, einschließlich der Zeiten, wenn das Gerät nicht verwendet oder im Leerlauf betrieben wird. Diese Werte werden benötigt, um die gemäß 2002/44/EG erforderlichen Sicherheitsmaßnahmen zum Schutz von Personen festlegen zu können.

Etiketten am Werkzeug

Folgende Symbole sowie der Datumcode befinden sich auf dem Werkzeug:



Warnung! Lesen Sie vor Gebrauch die Anleitung. Andernfalls besteht Verletzungsgefahr.

Elektrische Sicherheit



Dieses Gerät ist schutzisoliert, daher ist keine Erdleitung erforderlich. Überprüfen Sie immer, dass die Stromversorgung der Spannung auf dem Typenschild entspricht.

- ◆ Ist das Netzkabel beschädigt, muss es durch den Hersteller oder eine Stanley Fat Max Vertragswerkstatt ausgetauscht werden, um eine mögliche Gefährdung zu vermeiden.

Merkmale

Dieses Gerät verfügt über einige oder alle der folgenden Merkmale:

1. Ein-/Aus-Schalter
2. Schalterarretierung
3. Haupthandgriff
4. Zusatzgriff
5. Spindelarretierung
6. Schuh
7. Sägeblatt
8. Sägeblattschutz
9. Hebel der Schutzvorrichtung
10. Staubabsaugöffnung

Montage

Warnung! Vergewissern Sie sich vor Ausführung der folgenden Schritte, dass das Gerät ausgeschaltet und vom Stromnetz getrennt ist, und dass das Sägeblatt zum Stillstand gekommen ist.

Entfernen und Anbringen eines Sägeblatts (Abb. A)

Entfernen

- ◆ Halten Sie die Spindelarretierung (5) gedrückt und drehen Sie das Sägeblatt, bis die Spindelarretierung einrastet.
- ◆ Lösen und entfernen Sie die Sägeblattschraube (11) durch Drehen des mitgelieferten Schraubenschlüssels (12) gegen den Uhrzeigersinn.
- ◆ Nehmen Sie die äußere Unterlegscheibe (13) ab.
- ◆ Entfernen Sie das Sägeblatt (7).

Anbringen

- ◆ Bringen Sie das Sägeblatt auf dem inneren Flansch (14) so an, dass der Pfeil auf dem Sägeblatt so wie der Pfeil auf dem Gerät ausgerichtet ist.

- ◆ Bringen Sie die äußere Unterlegscheibe (13) auf der Spindel an, sodass die erhöhte Seite nach außen, also vom Sägeblatt weg weist.
- ◆ Setzen Sie die Sägeblattschraube (11) in die Öffnung ein.
- ◆ Halten Sie die Spindelarretierung (5) gedrückt.
- ◆ Ziehen Sie die Sägeblattschraube durch Drehen des mitgelieferten Schraubenschlüssels (12) im Uhrzeigersinn fest.

Anbringen und Entfernen des Parallelanschlags (Abb. B)

- ◆ Der Parallelanschlag wird zum Schneiden in einer geraden Linie parallel zur Kante des Werkstücks verwendet.

Anbringen

- ◆ Lockern Sie den Feststellknopf (16).
- ◆ Führen Sie den Parallelanschlag (17) durch die Öffnungen ein (18).
- ◆ Schieben Sie den Parallelanschlag in die gewünschte Position.
- ◆ Ziehen Sie den Feststellknopf fest.

Entfernen

- ◆ Lösen Sie die Verriegelung.
- ◆ Ziehen Sie den Parallelanschlag aus dem Gerät.

Verwendung

Warnung! Beschleunigen Sie den Arbeitsvorgang nicht mit Gewalt. Vermeiden Sie eine Überlastung.

Dieses Gerät kann in der rechten oder linken Hand verwendet werden.

Einstellen des Schnittwinkels (Abb. C)

- ◆ Überprüfen Sie mit einem Anschlagwinkel, ob der Winkel zwischen dem Sägeblatt und dem Sägeschuh 90° beträgt. Wenn der Winkel nicht 90° beträgt, stellen Sie ihn wie nachfolgend beschrieben ein:
- ◆ Lockern Sie die Verriegelung (19), um den Sägeschuh freizugeben.
- ◆ Lösen Sie die Sicherungsmutter (20) an der Einstellschraube (21).
- ◆ Drehen Sie die Einstellschraube hinein oder heraus, um einen Winkel von 90° zu erzielen.
- ◆ Ziehen Sie die Sicherungsmutter wieder fest.
- ◆ Schrauben Sie die Verriegelung fest, um den Sägeschuh in der geänderten Position zu sichern.

Einstellen der Schnitttiefe (Abb. D)

Die Schnitttiefe sollte an die Dicke des Werkstücks angepasst werden. Die Dicke des Werkstücks sollte um etwa 2 mm überschritten werden.

- ◆ Lockern Sie die Verriegelung (20), um den Sägeschuh freizugeben.

- ◆ Bringen Sie den Sägeschuh (6) in die gewünschte Position. Die entsprechende Schnitttiefe kann auf der Skala (21) abgelesen werden.
- ◆ Ziehen Sie den Hebel fest, um den Sägeschuh in der geänderten Position zu sichern.

Einstellen des Schrägwinkels (Abb. E)

Dieses Werkzeug kann für Gehrungsschnitte mit einem Winkel von 0° bis 45° eingestellt werden.

- ◆ Lockern Sie die Verriegelung (19), um den Sägeschuh freizugeben.
- ◆ Bringen Sie den Sägeschuh (6) in die gewünschte Position. Der entsprechende Schrägwinkel kann auf der Skala (24) abgelesen werden.
- ◆ Schrauben Sie die Verriegelung fest, um den Sägeschuh in der geänderten Position zu sichern.

Ein- und Ausschalten

- ◆ Entriegeln Sie zum Einschalten des Geräts die Einschaltsperre (2), und drücken Sie anschließend den Ein-/Aus-schalter (1).
- ◆ Lassen Sie zum Ausschalten des Gerätes den Ein-/Aus-schalter los.

Sägen

Halten Sie das Gerät immer mit beiden Händen.

- ◆ Lassen Sie das Sägeblatt einige Sekunden frei drehen, bevor Sie mit der Arbeit beginnen.
- ◆ Üben Sie während des Sägens nur einen geringen Druck auf das Gerät aus.
- ◆ Drücken Sie den Sägeblattschuh gegen das Werkstück.

Hinweis: Achten Sie darauf, dass sich die Zähne des Sägeblatts nicht übermäßig erhitzen.

Verwenden der Schnittführung (Abb. F)

Das Gerät ist mit einer Schnittführung für gerade Schnitte (25) ausgestattet.

- ◆ Stellen Sie die Schnittführung wie nachfolgend beschrieben ein.
- ◆ Richten Sie den linken Rand der Führung (25) auf die Schnittlinie (26) aus.

Staubabsaugung

Zum Anschließen eines Staubsaugers oder einer Absaugvorrichtung ist ein Staubsaugeradapter erforderlich.

- ◆ Setzen Sie den Staubsaugeradapter in die Staubabsaugöffnung (10) ein.
- ◆ Schließen Sie den Schlauch des Staubsaugers am Adapter an.

Hinweise für optimale Arbeitsergebnisse

- ◆ Verwenden Sie immer ein für das jeweilige Werkstück und die Art des Schnittes geeignetes Sägeblatt.

- ◆ Halten Sie das Gerät immer mit beiden Händen.
- ◆ Lassen Sie das Sägeblatt einige Sekunden frei drehen, bevor Sie mit der Arbeit beginnen.
- ◆ Üben Sie während des Sägens nur einen geringen Druck auf das Gerät aus.
- ◆ Drücken Sie den Sägeblattschuh gegen das Werkstück.
- ◆ Da Absplinterungen an der Schnittlinie auf der Oberseite des Werkstücks nicht zu vermeiden sind, schneiden Sie auf der Seite, auf der Absplinterungen akzeptabel sind.
- ◆ Um beispielsweise beim Schneiden von Laminat ein Splintern zu vermeiden, klemmen Sie eine Sperrholzplatte auf die Oberseite des Werkstücks.
- ◆ Stützen Sie große Platten ab, um ein mögliches Verklammern oder Rückschlagen des Sägeblatts zu vermeiden. Große Platten neigen zum Durchbiegen unter ihrem eigenen Gewicht.
- ◆ Die Platte muss auf beiden Seiten von unten abgestützt werden, d. h. nahe an der Schnittlinie und nahe am Rand der zu schneidenden Platte.
- ◆ Halten Sie das zu schneidende Werkstück niemals mit den Händen oder über den Beinen.
- ◆ Fixieren Sie das Werkstück mithilfe von Klemmen auf einer stabilen Unterlage. Es ist wichtig, das Werkstück richtig abzustützen, damit Ihr Körper geschützt wird, die Trennscheibe nicht festklemmt und Sie die Kontrolle behalten.

Wartung

Ihr Stanley FatMax Gerät (mit und ohne Netzkabel) wurde im Hinblick auf eine lange Lebensdauer und einen möglichst geringen Wartungsaufwand entwickelt. Ein kontinuierlicher, zufriedenstellender Betrieb hängt von der richtigen Pflege des Gerätes und seiner regelmäßigen Reinigung ab.

Warnung! Vor dem Ausführen jeglicher Wartungsarbeiten an Geräten mit und ohne Netzkabel:

- ◆ Schalten Sie das Gerät aus, und ziehen Sie den Netzstecker.
- ◆ Wenn das Gerät über einen separaten Batteriepack oder Akku verfügt, schalten Sie das Gerät ab, und entnehmen Sie die Batterien aus dem Gerät.
- ◆ Wenn der Akku integriert ist, entladen Sie diesen vor dem Abschalten vollständig.
- ◆ Ziehen Sie das Ladegerät aus der Netzsteckdose, bevor Sie es reinigen. Das Ladegerät benötigt keine Wartung, es sollte jedoch regelmäßig gereinigt werden.
- ◆ Reinigen Sie regelmäßig die Lüftungsschlitze des Geräts und des Ladegeräts mit einer weichen Bürste oder einem trockenen Tuch.
- ◆ Reinigen Sie das Motorgehäuse regelmäßig mit einem feuchten Tuch. Verwenden Sie keine scheuernden Reinigungsmittel oder Reinigungsmittel auf Lösungsmittelbasis.

- ◆ Öffnen Sie regelmäßig das Spannfutter, und entfernen Sie durch Klopfen ggf. Staub aus dem Inneren des Geräts.

Weitere Informationen erhalten Sie von Stanley Fat Max unter der folgenden Adresse. Diese befindet sich auch auf der Rückseite dieser Anleitung.

Umweltschutz



Getrennte Entsorgung. Produkte und Batterien, die mit diesem Symbol gekennzeichnet sind, dürfen nicht im normalen Hausmüll entsorgt werden.

Produkte und Akkus enthalten Materialien, die wiederverwertet werden können, um den Bedarf an Rohstoffen zu verringern. Bitte recyceln Sie elektrische Produkte und Akkus gemäß den örtlichen Bestimmungen. Weitere Informationen finden Sie auf www.2helpU.com

Der Unterzeichnete ist verantwortlich für die Zusammenstellung des technischen Dossiers und gibt diese Erklärung im Namen von Stanley Fat Max.

R. Laverick
Engineering Director
Stanley Fat Max Europe, 210 Bath Road, Slough,
Berkshire, SL1 3YD
Vereinigtes Königreich
07.02.2018

Technische Daten

KFFMES301 (Typ 1)		
Eingangsspannung	V_{Ac}	230
Leistungsaufnahme	W	1650
Leerlaufdrehzahl	Min ⁻¹	5500
Maximale Schnittiefe	mm	66
Sägeblattdurchmesser	mm	190
Sägeblattbohrung	mm	16
Breite der Sägezähne	mm	1,8
Gewicht	kg	3,9 (4,31 mit Sägeblatt)

Garantie

Stanley Europe vertraut auf die Qualität der eigenen Geräte und bietet dem Käufer eine außergewöhnliche Garantie von 12 Monaten ab Kaufdatum. Diese Garantie versteht sich unbeschadet der gesetzlichen Gewährleistungsansprüche und schränkt diese keinesfalls ein. Diese Garantie gilt innerhalb der Staatsgebiete der Mitgliedstaaten der Europäischen Union und der Europäischen Freihandelszone.

Zur Inanspruchnahme dieser Garantie muss sie den allgemeinen Geschäftsbedingungen von Stanley Europe entsprechen und dem Verkäufer bzw. der Vertragswerkstatt ist ein Kaufnachweis vorzulegen.

Die Bedingungen für die 1-jährige Garantie von Stanley Europe und den Standort Ihrer nächstgelegenen Vertragswerkstatt finden Sie im Internet unter www.2helpU.com oder indem Sie sich an die lokale Stanley Fat Max-Niederlassung wenden, deren Adresse Sie in dieser Anleitung finden.

Ihr neues Stanley Fat Max Produkt können Sie auf unserer Website unter www.stanley.eu/3 registrieren. Dort erhalten Sie auch Informationen über neue Produkte und Sonderangebote.

EU-Konformitätserklärung MASCHINENRICHTLINIE



KFFMES301 - Kreissäge

Stanley Europe erklärt, dass diese unter „Technische Daten“ beschriebenen Geräte übereinstimmen mit:
EN60745-1:2009+A11:2010, EN60745-2-5:2010

Diese Produkte entsprechen außerdem der Richtlinie
2006/42/EG, 2014/30/EU und 2011/65/EU.

Utilisation prévue

Votre scie circulaire Stanley Fat Max a été spécialement conçue pour scier le bois et les produits en bois. Cet outil a été conçu pour les professionnels et les particuliers.

Consignes de sécurité

Consignes de sécurité générales concernant les outils électriques



Avvertissement ! Lisez tous les avertissements et toutes les consignes de sécurité. Le non-respect des avertissements et des instructions listés ci-dessous peut entraîner des chocs électriques, des incendies et/ou de graves blessures.

Conservez tous les avertissements et toutes les instructions afin de pouvoir vous y référer dans le futur. Le terme "outil électrique" mentionné dans tous les avertissements listés ci-dessous fait référence à vos outils électriques branchés sur secteur (avec câble) ou fonctionnant sur pile ou batterie (sans fil).

1. Sécurité de la zone de travail

- a. **Maintenez la zone de travail propre et bien éclairée.** Les zones sombres ou encombrées sont propices aux accidents.
- b. **N'utilisez pas d'outils électriques dans un environnement présentant des risques d'explosion ou en présence de liquides, gaz ou poussières inflammables.** Les outils électriques créent des étincelles qui peuvent enflammer les poussières et les fumées.
- c. **Maintenez les enfants et les autres personnes éloignés lorsque les outils électriques sont en marche.** Toute distraction peut vous faire perdre le contrôle de l'outil.

2. Sécurité électrique

- a. **La prise des outils électriques doit correspondre à la prise de courant murale. Ne modifiez jamais la prise d'aucune sorte. N'utilisez aucun adaptateur avec des outils électriques reliés à la terre.** L'utilisation de prises d'origine et de prises murales appropriées permet de réduire le risque de choc électrique.
- b. **Évitez tout contact physique avec des surfaces reliées à la terre comme des tuyaux, des radiateurs, des fours et des réfrigérateurs par exemple.** Le risque de choc électrique augmente lorsque votre corps est relié à la terre.
- c. **N'exposez pas les outils électriques à la pluie, ni à l'humidité.** Le risque de choc électrique augmente si de l'eau pénètre dans un outil électrique.

- d. **Ne tirez pas sur le cordon d'alimentation. N'utilisez jamais le cordon pour transporter, tirer ou débrancher l'outil électrique. Maintenez le cordon éloigné de la chaleur, des substances grasses, des bords tranchants ou des pièces mobiles.** Les cordons endommagés ou emmêlés augmentent le risque de choc électrique.
- e. **Si vous utilisez un outil électrique à l'extérieur, utilisez une rallonge homologuée pour les travaux extérieurs.** L'utilisation d'une rallonge électrique homologuée pour les travaux en extérieur réduit le risque de choc électrique.
- f. **Si l'utilisation d'un outil électrique dans un endroit humide est inévitable, utilisez une alimentation électrique protégée par un disjoncteur différentiel.** L'utilisation d'un disjoncteur différentiel réduit le risque de choc électrique.

3. Sécurité des personnes

- a. **Restez vigilant, surveillez ce que vous faites et faites preuve de bon sens lorsque vous utilisez un outil électrique. N'utilisez pas d'outils électriques si vous êtes fatigué ou sous l'influence de drogue, d'alcool ou de médicaments.** Tout moment d'inattention pendant l'utilisation d'un outil électrique peut engendrer de graves blessures.
- b. **Portez des équipements de protection individuelle. Portez toujours une protection oculaire.** Les équipements de protection comme les masques à poussière, les chaussures de sécurité antidérapantes, les casques ou les protections auditives utilisés à bon escient réduisent le risque de blessures.
- c. **Empêchez tout démarrage par inadvertance. Assurez-vous que l'outil est en position OFF (Arrêt) avant de raccorder l'outil à l'alimentation électrique et/ou au bloc-batterie ou avant de ramasser ou de transporter l'outil.** Le fait de transporter les outils électriques le doigt sur l'interrupteur ou d'alimenter les outils électriques dont l'interrupteur est déjà en position de marche augmente les accidents.
- d. **Retirez toutes les clés ou pinces de réglage avant de mettre l'outil en marche.** Une clé ou une pince restée fixée sur une pièce rotative de l'outil électrique peut engendrer des blessures.
- e. **Ne présumez pas de vos forces. Gardez les pieds bien ancrés au sol et conservez votre équilibre en permanence.** Cela permet de mieux maîtriser l'outil électrique en cas de situations imprévues.
- f. **Portez des vêtements appropriés. Ne portez aucun vêtement ample ou bijou. Gardez vos cheveux, vos vêtements et vos gants éloignés des pièces mobiles.** Les vêtements amples, les bijoux ou les cheveux longs peuvent être happés par les pièces mobiles.

- g. **Si des dispositifs pour l'extraction des poussières ou des installations pour la récupération sont présents, assurez-vous qu'ils sont correctement raccordés et utilisés.** L'utilisation de dispositifs récupérateurs de poussières réduit les risques liés aux poussières.
4. **Utilisation et entretien des outils électriques**
- a. **Ne forcez pas sur l'outil électrique. Utilisez le bon outil adapté pour votre intervention.** Un outil adapté fonctionne mieux, de façon plus sûre et à la cadence pour laquelle il a été conçu.
- b. **N'utilisez pas l'outil électrique si son interrupteur Marche/Arrêt est défectueux.** Tout outil électrique qui ne peut plus être commandé par son interrupteur est dangereux et doit être réparé.
- c. **Débranchez la prise du secteur et/ou le bloc-batterie de l'outil électrique avant d'effectuer tout réglage, de changer un accessoire ou de ranger l'outil électrique.** Ces mesures de sécurité préventives réduisent le risque de démarrage accidentel de l'outil électrique.
- d. **Rangez les outils électriques non utilisés hors de portée des enfants et ne laissez aucune personne ne connaissant pas ces outils ou leurs instructions d'utilisation les faire fonctionner.** Les outils électriques peuvent être dangereux entre des mains inexpérimentées.
- e. **Entretenez vos outils électriques. Vérifiez que les pièces mobiles sont alignées correctement et qu'elles ne sont pas coincées. Vérifiez qu'il n'y a pas de pièces cassées ou toute autre condition qui pourrait nuire au bon fonctionnement de l'outil. En cas de dommage, faites réparer l'outil électrique avant utilisation.** De nombreux accidents sont provoqués par des outils électriques mal entretenus.
- f. **Maintenez les organes de coupe affûtés et propres.** Des organes de coupe bien entretenus et affûtés sont moins susceptibles de rester coincés et sont plus faciles à contrôler.
- g. **Utilisez les outils électriques, les accessoires et les embouts d'outil conformément à ces instructions, en tenant compte des conditions de travail, ainsi que du travail à effectuer.** L'utilisation d'un outil électrique à des fins autres que celles pour lesquelles il a été prévu engendre des situations dangereuses.
5. **Réparation**
- a. **Faites réparer votre outil électrique par une personne qualifiée, n'utilisant que des pièces de rechange d'origine.** Cela permet de garantir la sûreté de l'outil électrique.

Consignes de sécurité supplémentaires concernant les outils électriques



Avertissement ! Consignes de sécurité concernant toutes les scies

Procédures de coupe

- a. **Gardez vos mains à distance de la zone de sciage et de la lame. Tenez la poignée supplémentaire ou le carter du moteur de l'autre main.** Si vous tenez la scie à deux mains, vous ne vous couperez pas avec la lame.
- b. **Ne passez pas les mains sous la pièce à scier.** Le protège-lame ne vous protégera pas de la lame à ce niveau là.
- c. **Régalez la profondeur de coupe selon l'épaisseur de la pièce.** Moins d'une dent entière de la lame doit apparaître sous la pièce à scier.
- d. **Ne tenez jamais la pièce à scier dans vos mains ou entre vos jambes.** Fixez la pièce à scier sur un support stable. Il est important que la pièce soit correctement soutenue afin de minimiser les risques de blessures, de coincement de la lame ou de perte de contrôle.
- e. **Ne tenez l'outil que par ses surfaces de préhension isolées lorsque vous réalisez une opération pendant laquelle l'accessoire de coupe peut entrer en contact avec des fils cachés ou son propre cordon électrique.** Tout contact avec un fil sous tension peut mettre les parties métalliques exposées de l'outil sous tension et provoquer un choc électrique à l'utilisateur.
- f. **Lors des coupes longitudinales, utilisez toujours une garde longitudinale ou une règle-guide.** Ceci afin d'obtenir une coupe parfaite et d'empêcher au maximum la lame de se coincer.
- g. **Utilisez toujours des lames de taille et de forme adaptées à l'alésage (par ex. losange ou rond).** Les lames inadaptées aux éléments de fixation sur la scie tournent de façon excentrique et provoquent des pertes de contrôle.
- h. **N'utilisez jamais de rondelles ou de boulons endommagés ou inadaptés à la lame.** Les rondelles et boulons de lame ont été spécialement conçus pour votre scie, pour des performances et une sécurité de fonctionnement optimales.

Consignes de sécurité supplémentaires pour toutes les scies

Causes des rebonds et avertissements associés

- ◆ Le rebond est une réaction soudaine d'une lame de scie restée pincée, coincée ou désalignée qui provoque le soulèvement incontrôlable de la scie hors de la pièce à scier et dans la direction de l'utilisateur ;

- ◆ Si la lame reste pincée ou coincée dans le trait de scie, elle se bloque et la force du moteur ramène l'outil rapidement vers l'utilisateur ;
- ◆ Si la lame de scie se tord ou se désaligne dans la coupe, les dents du bord arrière peuvent creuser la surface du bois et provoquer la sortie de la lame hors du trait de coupe et son rebond vers l'arrière, vers l'utilisateur.

Les rebonds proviennent d'une utilisation incorrecte de la scie ou de mauvaises conditions ou procédures d'exécution et ils peuvent être évités en prenant les précautions adéquates énoncées ci-dessous.

- a. **Tenez fermement la scie à deux mains et placez vos bras de manière à pouvoir résister à la force d'un rebond. Positionnez toujours votre corps d'un côté ou de l'autre de la lame de scie mais jamais dans l'alignement de la lame.** En cas de rebond, la scie risque d'être propulsée vers l'arrière, mais les forces de rebond peuvent être contrôlées par l'utilisateur à condition de prendre les précautions appropriées.
- b. **Si la lame se coince ou si la coupe est interrompue pour une raison quelconque, relâchez la gâchette et maintenez la scie immobile dans la matière jusqu'à ce que la lame soit complètement arrêtée. N'essayez jamais de sortir la scie de la pièce ou de la tirer en arrière tant que la lame de scie n'est pas immobile ou qu'un rebond reste possible.** Effectuez des contrôles et prenez les mesures correctives adéquates afin de supprimer la cause du coincement de la lame.
- c. **Au moment de redémarrer une scie coincée dans une pièce, centrez la lame de scie dans le trait de scie et vérifiez que ses dents ne sont pas engagées dans la matière.** Si la lame se coince, il peut se relever ou rebondir de la pièce à scier au moment du redémarrage de la scie.
- d. **Soutenez les grands panneaux afin de minimiser le risque de pincement et de rebond de la lame.** Les grands panneaux ont tendance à s'affaisser sous leur propre poids. Les panneaux doivent être soutenus des deux côtés par des supports, près de la ligne de coupe et près des bords des panneaux.
- e. **N'utilisez pas de lame émoussée ou endommagée.** Les lames émoussées ou mal installées réduisent le trait de scie entraînant un frottement excessif, la torsion de la lame et un rebond.
- f. **Les leviers de blocage des réglages de profondeur de coupe et de biseau doivent être bien serrés et verrouillés avant le sciage.** Si le réglage saute pendant la coupe, la lame peut se coincer et produire un effet de retour.
- a. **Prenez toutes les précautions nécessaires lorsque vous sciez dans un mur existant ou dans des zones à visibilité nulle.** La partie saillante de la lame peut couper des objets susceptibles de provoquer un rebond.

Fonctionnement du protège-lame inférieur

- a. **Vérifiez que le protège-lame inférieur se ferme correctement avant chaque utilisation. N'utilisez pas la scie si le protège-lame inférieur ne bouge pas librement et ne se ferme pas instantanément. Ne fixez et n'attachez jamais le protège-lame inférieur pour le garder en position ouverte.** En cas de chute accidentelle, le protège-lame peut se déformer. Soulevez le protège-lame à l'aide de la poignée rétractable, assurez-vous qu'il peut bouger librement et qu'il ne touche ni la lame de scie ni d'autres pièces de la machine, quel que soit l'angle ou la profondeur de coupe.
- b. **Vérifiez le fonctionnement du ressort du protège-lame inférieur. Si le protège-lame et le ressort ne fonctionnent pas correctement, ils doivent être réparés avant utilisation.** Des pièces endommagées, restes de colle ou accumulations de débris peuvent ralentir le fonctionnement du protège-lame inférieur.
- c. **Le protège-lame inférieur peut être rétracté manuellement pour effectuer des coupes spéciales uniquement, de type "coupes plongeantes" et "coupes combinées".** Soulevez le protège-lame inférieur en rétractant la poignée et relâchez-le dès que la lame de scie pénètre dans la matière. Pour toutes les autres opérations de sciage, le protège-lame inférieur doit fonctionner automatiquement.
- d. **Assurez-vous toujours que le protège-lame inférieur recouvre la lame avant de poser la scie sur un établi ou au sol.** Une lame sans protection et encore en mouvement ramène la scie en arrière, sciant tout sur son passage. Tenez compte du temps nécessaire à la lame pour s'arrêter une fois l'interrupteur relâché.

Risques résiduels

Certains risques résiduels autres que ceux mentionnés dans les avertissements sur la sécurité peuvent survenir en utilisant l'appareil. Ces risques peuvent être provoqués par une utilisation incorrecte, prolongée, etc.

Malgré l'application des normes de sécurité pertinentes et la présence de dispositifs de sécurité, certains risques résiduels ne peuvent pas être évités. Ils comprennent :

- ◆ Les blessures provoquées par le contact avec des pièces rotatives/mobiles.
- ◆ Les blessures provoquées pendant le remplacement de pièces, de lames ou d'accessoires.
- ◆ Les blessures dues à l'utilisation prolongée d'un outil. Lorsque l'outil est utilisé pendant de longues périodes, assurez-vous de faire des pauses régulières.
- ◆ La diminution de l'acuité auditive.
- ◆ Les risques pour la santé provoqués par l'inhalation des poussières générées pendant l'utilisation de votre outil (exemple : travail avec du bois, surtout le chêne, le hêtre et les panneaux en MDF).

Lames de scie

- ◆ N'utilisez pas de lames de diamètres plus grands ou plus petits que ceux recommandés. Référez-vous aux données techniques pour connaître les caractéristiques appropriées des lames. N'utilisez que les lames mentionnées dans ce manuel, conformes à la norme EN 847-1.
- ◆ **Avertissement !** N'utilisez jamais de disques abrasifs.

Sécurité des personnes

- ◆ Cet appareil n'est pas conçu pour être utilisé par des personnes (y compris des enfants) aux capacités physiques, sensorielles ou intellectuelles réduites ou sans expérience ni connaissances, à moins qu'elles ne soient surveillées ou qu'elles aient été formées sur la façon sûre d'utiliser l'appareil, par une personne responsable de leur sécurité.
- ◆ Ne laissez jamais les enfants sans surveillance afin d'éviter qu'ils ne jouent avec l'appareil.

Vibrations

La valeur des émissions de vibrations déclarée dans la section Caractéristiques techniques et la déclaration de conformité a été mesurée selon une méthode de test standard fournie par la norme EN 60745 et peut être utilisée pour comparer un outil à un autre. La valeur des émissions de vibrations déclarée peut aussi être utilisée pour une évaluation préliminaire à l'exposition.

Avertissement ! En fonction de la manière dont l'outil est utilisé, la valeur des émissions de vibrations réelles pendant l'utilisation de l'outil peut différer de la valeur déclarée. Le niveau des vibrations peut dépasser le niveau déclaré.

Quand l'exposition aux vibrations est évaluée afin de déterminer les mesures de sécurité requises par la norme 2002/44/CE pour protéger les personnes utilisant régulièrement des outils électriques, cette estimation doit tenir compte des conditions réelles d'utilisation et de la façon dont l'outil est utilisé. Il faut également tenir compte de toutes les composantes du cycle de fonctionnement comme la durée pendant laquelle l'outil est arrêté et quand il fonctionne au ralenti, ainsi que la durée du déclenchement.

Étiquettes sur l'outil

Les pictogrammes suivants ainsi que le code date sont apposés sur l'outil :



Avertissement ! Afin de réduire le risque de blessures, l'utilisateur doit lire le manuel d'utilisation.

Sécurité électrique



Cet outil est doublement isolé et ne nécessite donc aucun fil de liaison à la terre. Assurez-vous toujours que l'alimentation électrique correspond à la tension mentionnée sur la plaque signalétique.

- ◆ Si le câble d'alimentation est endommagé, il doit être remplacé par le fabricant ou par un centre d'assistance agréé Stanley Fat Max afin d'éviter les risques éventuels.

Caractéristiques

Cet outil dispose de tout ou partie des caractéristiques suivantes.

1. Interrupteur Marche/Arrêt
2. Bouton de déverrouillage
3. Poignée principale
4. Poignée secondaire
5. Bouton de verrouillage de l'axe
6. Semelle
7. Lame de scie
8. Protège-lame
9. Poignée du protège-lame
10. Trou d'évacuation des poussières

Assemblage

Avertissement ! Avant d'exécuter ce qui suit, assurez-vous que l'outil est éteint et débranché et que la lame n'est pas en mouvement.

Installation et retrait d'une lame (fig. A)

Retrait

- ◆ Maintenez le bouton de verrouillage de l'axe (5) enfoncé et tournez la lame jusqu'à ce que l'axe soit verrouillé.
- ◆ Desserrez et retirez la vis de retenue de la lame (11) en la tournant dans le sens inverse des aiguilles d'une montre à l'aide de la clé (12) fournie.
- ◆ Retirez la rondelle extérieure (13).
- ◆ Retirez la lame de scie (7).

Installation

- ◆ Placez la lame de scie sur la bride intérieure (14) en veillant à orienter la flèche apposée sur la lame dans la même direction que la flèche apposée sur l'outil.
- ◆ Installez la rondelle extérieure (13) sur l'axe, en orientant la partie relevée vers l'extérieur de la lame.
- ◆ Insérez la vis de retenue de la lame (11) dans le trou.
- ◆ Maintenez le bouton de verrouillage de l'axe (5) enfoncé.
- ◆ Serrez fermement la vis de retenue de la lame en la tournant dans le sens des aiguilles d'une montre à l'aide de la clé (12) fournie.

Installation et retrait de la garde parallèle (fig. B)

- ◆ La garde parallèle est utilisée pour scier en ligne droite parallèlement au bord de la pièce à scier.

Installation

- ◆ Desserrez le bouton de verrouillage (16).
- ◆ Insérez la garde parallèle (17) à travers les trous (18).
- ◆ Glissez la garde parallèle à la position voulue.
- ◆ Serrez le bouton de verrouillage.

Retrait

- ◆ Desserrez le bouton de verrouillage.
- ◆ Tirez la garde parallèle hors de l'outil.

Utilisation

Avertissement ! Laissez l'outil fonctionner à son propre rythme. Ne le poussez pas au-delà de sa limite. Cet outil est adapté pour gaucher et droitier.

Réglage de l'angle de coupe (fig. C)

- ◆ Utilisez une équerre pour vérifier si l'angle entre la lame et la semelle est de 90°. Si l'angle ne mesure pas 90°, ajustez-le comme suit :
- ◆ Desserrez le bouton de verrouillage (19) pour déverrouiller la semelle de la scie.
- ◆ Desserrez l'écrou de blocage (20) sur la vis de réglage (21).
- ◆ Serrez ou desserrez la vis de réglage pour atteindre un angle de 90°.
- ◆ Resserrez l'écrou de blocage.
- ◆ Serrez le bouton de verrouillage pour bloquer la semelle de scie en place.

Réglage de la profondeur de coupe (fig. D)

La profondeur de coupe doit être réglée en fonction de l'épaisseur de la pièce à scier. Elle doit être d'environ de 2 mm de plus que l'épaisseur.

- ◆ Desserrez le bouton (20) pour déverrouiller la semelle.
- ◆ Déplacez la semelle de scie (6) dans la position souhaitée. La profondeur de coupe correspondante peut être lue sur l'échelle de graduation (21).
- ◆ Serrez le bouton pour verrouiller la semelle en place.

Réglage de l'angle du biseau (fig. E)

Cet outil peut être réglé pour couper des angles en biais entre 0° et 45°.

- ◆ Desserrez le bouton de verrouillage (19) pour déverrouiller la semelle de la scie.
- ◆ Déplacez la semelle de scie (6) dans la position souhaitée. L'angle en biseau correspondant peut être lu sur l'échelle de graduation (24).
- ◆ Serrez le bouton de verrouillage pour bloquer la semelle de scie en place.

Allumage et extinction

- ◆ Pour mettre l'outil en marche, déplacez le bouton de déverrouillage (2) sur la position de déverrouillage et enfoncez l'interrupteur Marche/Arrêt (1).
- ◆ Pour éteindre l'outil, relâchez l'interrupteur Marche/Arrêt.

Scier

Tenez toujours l'outil avec les deux mains.

- ◆ Laissez la lame tourner librement pendant quelques secondes avant de commencer la découpe.
- ◆ N'appliquez qu'une légère pression sur l'outil pendant la découpe.
- ◆ Travaillez avec la semelle appuyée contre la pièce à scier.

Remarque : Prenez soin de ne pas laisser les pointes de la lame surchauffer.

Utilisation du guide de coupe visuel (fig. F)

L'outil est équipé d'un guide de coupe visuel pour les coupes droites (25).

- ◆ Ajustez le guide visuel comme décrit ci-dessous.
- ◆ Alignez le bord gauche des guides (25) sur la ligne de coupe (26).

Aspiration des poussières

Pour raccorder un aspirateur ou le récupérateur de poussière à l'outil, vous avez besoin d'un adaptateur.

- ◆ Insérez l'adaptateur du récupérateur de poussière dans le raccord d'évacuation des poussières de la scie (10).
- ◆ Raccordez le tuyau de l'aspirateur à l'adaptateur.

Conseils pour une utilisation optimale

- ◆ Utilisez toujours le type de lame approprié à la matière de la pièce à scier et au type de coupe.
- ◆ Tenez toujours l'outil à deux mains.
- ◆ Laissez la lame tourner librement pendant quelques secondes avant de commencer la découpe.
- ◆ N'appliquez qu'une légère pression sur l'outil pendant la découpe.
- ◆ Travaillez avec la semelle appuyée contre la pièce à scier.
- ◆ Les éclats de bois le long de la ligne de coupe sur le dessus de la pièce à scier étant inévitables, coupez du côté où les éclats sont plus acceptables.
- ◆ Pour les limiter les éclats de bois, pendant la découpe de stratifiés par exemple, fixez un morceau de contreplaqué sur le dessus de la pièce à scier.
- ◆ Soutenez les grands panneaux afin de minimiser le risque de pincement et de rebond de la lame. Les grands panneaux ont tendance à s'affaisser sous leur propre poids.
- ◆ Les supports doivent être placés sous le panneau, des deux côtés, près de la ligne de coupe et des bords du panneau à scier.
- ◆ Ne tenez jamais la pièce à scier dans vos mains ou entre vos jambes.

- ◆ Fixez la pièce à couper sur un support stable à l'aide de pinces. Il est important que la pièce soit correctement soutenue afin de minimiser les risques de blessures, de coincement de la lame ou de perte de contrôle.

Maintenance

Votre appareil/outil sans fil/avec fil Stanley Fat Max a été conçu pour fonctionner pendant longtemps avec un minimum d'entretien. Le fonctionnement continu et satisfaisant de l'outil dépend de son bon entretien et de son nettoyage régulier.

Avertissement ! Avant toute intervention de maintenance sur des outils électriques avec ou sans fil :

- ◆ Arrêtez et débranchez l'appareil/outil.
- ◆ Ou, éteignez l'appareil/l'outil et retirez en la batterie s'il dispose d'un bloc-batterie séparé.
- ◆ Ou déchargez complètement la batterie si elle est intégrée au système, puis éteignez l'appareil.
- ◆ Débranchez le chargeur avant de le nettoyer. Votre chargeur ne nécessite aucun entretien particulier, à l'exception d'un nettoyage régulier.
- ◆ Nettoyez régulièrement les orifices de ventilation de votre appareil/outil/chargeur à l'aide d'une brosse souple ou d'un chiffon sec.
- ◆ Nettoyez régulièrement le bloc-moteur à l'aide d'un chiffon humide.
N'utilisez pas de détergents abrasifs ou à base de solvants.
- ◆ Ouvrez régulièrement le mandrin et retirez la poussière à l'intérieur en le tapotant (si installé).

Protection de l'environnement



Tri sélectif. Les produits et batteries marqués de ce symbole ne doivent pas être jetés avec les déchets ménagers.

Les produits et batteries contiennent des matières qui peuvent être récupérées et recyclées afin de réduire la demande en matières premières.

Veuillez recycler les produits électriques et les batteries conformément aux dispositions locales en vigueur. Pour plus d'informations, consultez le site www.2helpU.com

Données techniques

KFFMES301 (Type 1)		
Tension d'entrée	V_{CA}	230
Puissance absorbée	W	1650
Vitesse à vide	Min^{-1}	5500
Profondeur maximum de coupe	mm	66

KFFMES301 (Type 1)		
Diamètre de lame	mm	190
Alésage	mm	16
Largeur de l'extrémité de la lame	mm	1,8
Poids	kg	3,9 (4,31 avec lame)

Niveau de pression sonore selon la norme EN 60745 :

Pression sonore (L_{pA}) 89,0 dB(A), incertitude (K) 3 dB(A)

Puissance sonore (L_{WA}) 100 dB(A), incertitude (K) 3 dB(A)

Valeurs totales des vibrations (somme vectorielle triaxiale) selon la norme EN 60745 :

Valeur d'émission de vibrations (a_{w}) 2,6 m/s^2 , incertitude (K) 1,5 m/s^2 (sciage du bois)

Déclaration de conformité CE DIRECTIVES MACHINES



KFFMES301 - Scie circulaire

Stanley Europe déclare que les produits décrits dans les «Données techniques» sont conformes aux normes : EN60745-1:2009+A11:2010, EN60745-2-5:2010

Ces produits sont conformes aux directives 2006/42/CE, 2014/30/UE et 2011/65/UE.

Pour plus de détails, veuillez contacter Stanley Fat Max à l'adresse suivante ou reportez-vous au dos du manuel.

Le soussigné est responsable de la compilation du fichier technique et fait cette déclaration au nom de Stanley Fat Max.

R. Laverick
Responsable technique
Stanley Fat Max Europe, 210 Bath Road, Slough,
Berkshire, SL1 3YD
Royaume-Uni
07/02/2018

Garantie

Stanley Fat Max est sûr de la qualité de ses produits et offre une garantie de 12 mois à ses clients, à partir de la date d'achat. Cette garantie s'ajoute à vos droits légaux auxquels elle ne porte aucunement préjudice. Cette garantie est valable au sein des territoires des États membres de l'Union Européenne et au sein de la Zone européenne de libre-échange.

Pour prétendre à la garantie, la réclamation doit être en conformité avec les conditions générales de Stanley Europe et vous devez fournir une preuve d'achat au vendeur ou au réparateur agréé.

Les conditions générales de la garantie de 1 an de Stanley Europe ainsi que l'adresse du réparateur agréé le plus proche sont disponibles sur le site Internet www.2helpU.com ou en contactant votre agence Stanley Fat Max locale à l'adresse indiquée dans ce manuel.

Veuillez consulter notre site Internet www.stanley.eu/3 pour enregistrer votre nouveau produit Stanley Fat Max et pour être tenu informé des nouveaux produits et offres spéciales.

Uso previsto

La sega circolare Stanley Fat Max KFFMES301 è stata progettata per segare legno e oggetti in legno. Questo elettrotensile è stato progettato per uso professionale e privato e per utenti non professionisti.

Istruzioni di Sicurezza**Avvisi di sicurezza generici per gli elettrotensili**

Avvertenza! Leggere tutti gli avvisi di sicurezza e le istruzioni. La mancata osservanza dei presenti avvisi e istruzioni potrebbe causare scosse elettriche, incendi e/o infortuni gravi.

Conservare tutti gli avvertimenti e le istruzioni per consultazioni future. Il termine "elettrotensile" che ricorre in tutti gli avvisi seguenti si riferisce ad utensili elettrici con o senza filo.

1. Sicurezza nella zona di lavoro

- Mantenere pulita e bene illuminata l'area di lavoro.** Gli ambienti disordinati o scarsamente illuminati favoriscono gli incidenti.
- Evitare di usare gli elettrotensili in ambienti esposti a rischio di esplosione, ad esempio in presenza di liquidi, gas o polveri infiammabili.** Gli apparati elettrici creano scintille che possono incendiare le polveri o i fumi.
- Tenere lontani bambini e astanti mentre si usa un elettrotensile.**

Le distrazioni possono provocare la perdita di controllo.

2. Sicurezza elettrica

- Le spine elettriche degli elettrotensili devono essere adatte alla presa. Non modificare la spina in alcun modo. Non collegare un adattatore alla spina di un apparato elettrico dotato di scarico a terra.** Per ridurre il rischio di scossa elettrica evitare di modificare le spine e utilizzare sempre le prese appropriate.
- Evitare il contatto fisico con superfici collegate a terra, tipo tubi, radiatori, forni e frigoriferi.** Se il proprio corpo è collegato con la terra, il rischio di scossa elettrica aumenta.
- Custodire gli elettrotensili al riparo dalla pioggia o dall'umidità.** Se l'acqua entra nell'apparato elettrico aumenta il rischio di scossa elettrica.
- Non utilizzare il cavo in modo improprio. Non utilizzare mai il cavo per spostare, tirare o scollegare l'apparato elettrico. Tenere il cavo elettrico lontano da fonti di calore, olio, bordi taglienti o parti in movimento.** Se il cavo è danneggiato o impigliato, il rischio di scossa elettrica aumenta.
- Se l'elettrotensile viene adoperato all'aperto, usare esclusivamente prolunghie omologate per l'impiego all'esterno.** L'uso di un cavo elettrico adatto ad ambienti esterni riduce il rischio di scossa elettrica.
- Se non è possibile evitare di lavorare in una zona umida, usare un'alimentazione elettrica protetta da un dispositivo a corrente residua (RCD).** L'uso di un interruttore differenziale riduce il rischio di scossa elettrica.

3. Sicurezza delle persone

- È importante concentrarsi su ciò che si sta facendo e maneggiare con giudizio l'elettrotensile. **Non utilizzare l'apparato elettrico quando si è stanchi o sotto l'effetto di droghe, alcool o medicinali.** Un solo attimo di distrazione durante l'uso di tali apparati potrebbe provocare gravi lesioni personali.
- Usare l'equipaggiamento di protezione personale. Utilizzare sempre protezioni oculari.** L'uso di abbigliamento di protezione quali mascherine antipolvere, scarpe antinfortunistiche antiscivolo, caschi di sicurezza o protezioni uditive, in condizioni opportune consente di ridurre le lesioni personali.
- Impedire l'avviamento involontario. Accertarsi che l'interruttore di accensione sia regolato su spento prima di collegare l'elettrotensile all'alimentazione elettrica e/o al battery pack, di prenderlo in mano o di trasportarlo.** Il trasporto di apparati elettrici tenendo il dito sull'interruttore o quando sono collegati alla rete elettrica con l'interruttore nella posizione di acceso provoca incidenti.

- d. **Prima di accendere un elettrotensile, togliere eventuali utensili o chiavi di regolazione.** Un utensile di regolazione o una chiave fissati su una parte rotante dell'apparato elettrico possono provocare lesioni personali.
- e. **Non sbilanciarsi. Mantenere sempre un appoggio ed equilibrio adeguati.** Ciò consente un migliore controllo dell'apparato nelle situazioni impreviste.
- f. **Vestirsi adeguatamente. Non indossare abiti lenti o gioielli. Tenere i capelli, i vestiti e i guanti lontano dalle parti mobili.** Abiti larghi, gioielli o capelli lunghi possono impigliarsi nelle parti in movimento.
- g. **Se gli elettrotensili sono provvisti di attacchi per il collegamento di dispositivi di aspirazione o di raccolta della polvere, assicurarsi che questi siano installati e utilizzati correttamente.** La raccolta delle polveri può ridurre i pericoli legati a queste ultime.
4. **Uso e cura degli elettrotensili**
- a. **Non sovraccaricare l'elettrotensile. Utilizzare un apparato adatto al lavoro da eseguire.** L'apparato lavora meglio e con maggior sicurezza se utilizzato secondo quanto è stato previsto.
- b. **Non utilizzare elettrotensili con interruttori difettosi.** Qualsiasi apparato elettrico che non possa essere controllato tramite l'interruttore è pericoloso e deve essere riparato.
- c. **Scollegare la spina dalla presa di corrente e/o il battery pack dall'elettrotensile prima di regolarlo, sostituirne gli accessori o di ripararlo.** Queste misure di sicurezza preventive riducono il rischio di azionare l'apparato accidentalmente.
- d. **Quando non vengono usati, gli elettrotensili devono essere custoditi fuori dalla portata dei bambini. Non consentire l'uso dell'elettrotensile a persone inesperte o che non abbiano letto le presenti istruzioni.** Gli apparati elettrici sono pericolosi in mano a persone inesperte.
- e. **Sottoporre gli elettrotensili a regolare manutenzione.** Verificare che le parti mobili siano bene allineate e non inceppate, che non vi siano componenti rotti e che non sussistano altre condizioni che possono compromettere il funzionamento dell'elettrotensile. **Se danneggiato, far riparare l'apparato elettrico prima dell'uso.** Molti incidenti sono provocati da apparati elettrici su cui non è stata effettuata la corretta manutenzione.
- f. **Mantenere affilati e puliti gli strumenti da taglio.** La manutenzione corretta degli utensili da taglio con bordi affilati riduce le probabilità di inceppamento e ne facilita il controllo.
- g. **Utilizzare l'elettrotensile, gli accessori e le punte in conformità alle presenti istruzioni, tenendo conto delle condizioni di lavoro e del lavoro da completare.**

L'utilizzo dell'apparato elettrico per impieghi diversi da quelli previsti può provocare situazioni di pericolo.

5. Assistenza

- a. **Fare riparare l'elettrotensile esclusivamente da personale specializzato e solo usando pezzi di ricambio originali.** In questo modo viene garantita la sicurezza dell'apparato elettrico.

Altri avvisi di sicurezza per gli elettrotensili



Avvertenza! Istruzioni di sicurezza per tutte le seghe

Procedure di taglio

- a. **Tenere le mani lontane dalla zona di taglio e dalla lama. Tenere la seconda mano sulla leva ausiliaria, o sull'alloggiamento del motore.** Impugnando la segatrice con entrambe le mani, si evitano tagli alle stesse.
- b. **Non sporgersi sotto il pezzo da lavorare.** La protezione non può proteggere dalla lama sotto al pezzo.
- c. **Regolare la profondità di taglio allo spessore del pezzo da lavorare.** Sotto al pezzo dovrebbe essere visibile meno di un dente completo della lama.
- d. **Non tenere mai il pezzo da tagliare in mano o appoggiato sulla coscia.** Assicurare il pezzo in lavorazione su una base di sostegno stabile. Per ridurre al minimo il pericolo di un contatto con il corpo, la possibilità di un blocco della lama da taglio oppure la perdita del controllo, è importante fissare bene il pezzo in lavorazione.
- e. **Tenere l'elettrotensile solo afferrando l'impugnatura isolata se vi è la possibilità che la sega possa venire a contatto di cavi nascosti o del proprio cavo.** Il contatto con un cavo "sotto tensione" mette "sotto tensione" anche le parti metalliche esposte dell'utensile e potrebbe esporre l'operatore a scosse elettriche.
- f. **Quando si sega secondo la fibra, usare una guida pezzo o una riga.** In questo modo si migliora la precisione del taglio e si riduce la possibilità di inceppamento della lama.
- g. **Usare sempre lame delle dimensioni e forme corrette (diamante piuttosto che rotondo) dei fori di sostegno.** Lame per segatrici non adatte ai relativi pezzi di montaggio, avranno una rotazione eccentrica causando la perdita di controllo dell'apparato elettrico.
- h. **Mai usare rondelle di bulloni danneggiati o di lame non corrette.** Le rondelle e le viti per lama da taglio sono appositamente previste per la vostra segatrice e sono state realizzate per raggiungere prestazioni ottimali e la massima sicurezza di utilizzo.

Ulteriori istruzioni di sicurezza valide per tutte le segatrici

Cause dei contraccolpi e avvisi in merito

- ◆ un rimbalzo è la reazione improvvisa provocata da una lama da taglio rimasta agganciata, che si blocca oppure che non è stata regolata correttamente comportando un movimento incontrollato della sega che sbalza dal pezzo in lavorazione e si sposta in direzione dell'operatore;
- ◆ quando la lama viene pinzata o impigliata saldamente dalla chiusura della tavola, la lama si ferma e la reazione del motore spinge l'unità rapidamente indietro verso l'operatore;
- ◆ se la lama rimane avvolta o non allineata nel taglio, i denti all'estremità posteriore della lama possono scavare nella superficie superiore del legno facendo uscire la lama dal banco e facendola saltare verso l'operatore.

Il rimbalzo è il risultato di un uso sbagliato della sega e/o di metodi o condizioni di lavoro scorretti e può essere evitato prendendo le appropriate precauzioni come descritto di seguito.

- a. **Afferrare saldamente la sega con entrambe le mani e posizionare le braccia in modo da poter far fronte ai contraccolpi. Posizionare il corpo su ambo i lati della lama, ma non in linea con la lama.** In caso di un rimbalzo, la sega circolare può balzare all'indietro; comunque, prendendo delle misure adatte l'operatore può essere in grado di controllare il rimbalzo.
- b. **Quando la lama si inceppa, oppure quando per una qualsiasi ragione si interrompe l'operazione di taglio, rilasciare la levetta e tenere la sega immobile nel pezzo fino a quando la lama di arresta del tutto. Mai tentare di rimuovere la sega dal lavoro o tirare la sega indietro mentre la lama è in movimento o si potrebbe verificare il rimbalzo.** Esaminare e prendere azioni correttive per eliminare le cause che inceppano la lama.
- c. **Volendo avviare nuovamente una segatrice che ancora si trova nel pezzo in lavorazione, centrare la lama nella fessura del taglio ed accertarsi che la dentatura della segatrice non sia rimasta agganciata nel pezzo in lavorazione.** Se la lama della sega si inceppa, potrebbe fuoriuscire dal pezzo o causare un contraccolpo quando la sega viene riavviata.
- d. **Supportare i pannelli grandi per minimizzare il rischio che la lama rimanga pinzata e provochi il rimbalzo.** I pannelli più grandi tendono a incurvarsi sotto il loro peso. Sotto tali pannelli, è necessario inserire da entrambi i lati dei supporti idonei, sia lungo la linea di taglio che lungo i bordi.
- e. **Non usare lame spuntate o danneggiate.** Lame spuntate o posizionate male producono un taglio stretto causando un attrito eccessivo, l'inceppamento della lama e dei contraccolpi.

- f. **La profondità della lama e la regolazione delle leve di blocco dello smusso devono essere strette e sicure prima di eseguire il taglio.** Se la regolazione della lama cambia durante il taglio, si possono causare inceppamenti e contraccolpi.
- a. **Prestare ancora più attenzione quando si eseguono tagli all'interno di pareti o di altre aree cieche.** La lama da taglio che inizia il taglio su oggetti nascosti può bloccarsi e provocare un rimbalzo.

Funzione della protezione inferiore

- a. **Verificare che la protezione inferiore si chiuda correttamente prima di ciascun utilizzo. Non adoperare la sega se la protezione inferiore non si muove liberamente e si chiude istantaneamente. Mai bloccare oppure legare la calotta di protezione inferiore in posizione aperta.** Se la segatrice dovesse accidentalmente cadere a terra è possibile che la calotta di protezione inferiore subisca una deformazione. Operando con la leva di ritorno, aprire la calotta di protezione ed accertarsi che possa muoversi liberamente in ogni angolazione e profondità di taglio senza toccare né la lama né nessun altro pezzo.
- b. **Controllare il funzionamento della molla della protezione inferiore. Se la protezione e la molla non funzionano bene, devono essere riparati prima dell'uso.** Componenti danneggiati, depositi di sporcizia appiccicosi oppure accumuli di trucioli comportano una riduzione della funzionalità della calotta inferiore di protezione.
- c. **La protezione inferiore può essere ritratta manualmente solo per tagli speciali come quelli "a tufo" e quelli "compositi".** Sollevare la protezione inferiore mediante la leva di ritorno e rilasciarla non appena la lama da taglio sarà penetrata nel pezzo in lavorazione. Nel caso di ogni altra operazione di taglio, la calotta inferiore di protezione deve funzionare automaticamente.
- d. **Osservare sempre che la protezione inferiore copra la lama prima di appoggiare la sega sul banco o pavimento.** Una lama non protetta o che gira a vuoto fa spostare all'indietro la sega, tagliando tutto ciò che trova lungo il percorso. Tenere quindi sempre in considerazione la fase di arresto della segatrice.

Rischi residui

L'utilizzo dell'apparecchio può comportare altri rischi non contemplati negli avvisi di sicurezza qui riportati. Tali rischi possono sorgere a seguito di un uso prolungato o improprio, ecc.

Pur osservando le norme di sicurezza e utilizzando dispositivi di protezione adeguati, certi rischi non possono essere evitati. Sono inclusi:

- ◆ Lesioni causate o subite a seguito del contatto con parti rotanti/in movimento.
- ◆ Lesioni causate o subite durante la sostituzione di parti, lame o accessori.
- ◆ Lesioni causate dall'impiego prolungato di un utensile. Quando si usa qualsiasi apparecchio per lunghi periodi, accertarsi di fare regolarmente delle pause.
- ◆ Menomazioni uditive.
- ◆ Rischi per la salute causati dall'aspirazione di polvere generata dall'utilizzo dell'elettrotensile (ad esempio quando si lavora con il legno, in modo particolare quello di quercia o l'MDF).

Lame della sega

- ◆ Non utilizzare lame di diametro maggiore o minore di quello consigliato. Fare riferimento ai dati tecnici per le corrette capacità di taglio. Utilizzare soltanto le lame specificate in questo manuale, conformi alla norma EN 847-1.
- ◆ **Avvertenza!** Non usare mai dischi abrasivi.

Sicurezza altrui

- ◆ Questo elettrotensile non è destinato all'uso da parte di persone (compresi i bambini) con capacità fisiche, sensoriali o mentali ridotte, o prive di esperienza e conoscenze, salvo che non siano sottoposte a sorveglianza o ricevano istruzioni riguardo all'uso dell'apparecchio da parte di una persona responsabile della loro sicurezza.
- ◆ Controllare che i bambini non giochino con l'elettrodomestico.

Vibrazioni

I valori dichiarati delle emissioni di vibrazioni al paragrafo Dati tecnici e nella Dichiarazione di conformità del presente manuale sono stati misurati in base al metodo di test standard previsto dalla normativa EN 60745 e possono essere usati come parametri di confronto tra due utensili.

Il valore delle emissioni di vibrazioni dichiarato può anche essere usato come valutazione preliminare dell'esposizione.

Avvertenza! Il valore delle emissioni di vibrazioni durante l'impiego effettivo dell'elettrotensile può variare da quello dichiarato a seconda delle modalità d'uso. Il livello delle vibrazioni può aumentare oltre quello dichiarato.

Quando si valuta l'esposizione alle vibrazioni per determinare le misure di sicurezza richieste dalla normativa 2002/44/CE destinata alla protezione delle persone che usano regolarmente gli elettrotensili nello svolgimento delle proprie mansioni, è necessario prendere in considerazione le condizioni effettive di utilizzo e il modo in cui l'utensile è usato, oltre a tenere in conto tutte le componenti del ciclo operativo, vale a dire i periodi in cui l'elettrotensile è spento, quelli in cui è acceso ma a riposo e quelli in cui è effettivamente utilizzato.

Etichette sull'apparato

Sull'elettrotensile compaiono i seguenti pittogrammi:



Avvertenza! Per ridurre il rischio di infortuni, l'utente deve leggere il manuale d'uso.

Sicurezza elettrica



Il doppio isolamento di cui è provvisto l'elettrotensile rende superfluo il filo di terra. La fornitura del voltaggio e della corrente deve essere conforme alle specifiche indicate sulla targua.

- ◆ In caso di danneggiamento del filo di alimentazione, è necessario farlo riparare dal fabbricante o presso un centro assistenza Stanley Fat Max autorizzato in modo da evitare eventuali pericoli.

Caratteristiche

Questo elettrodomestico presenta alcune o tutte le seguenti caratteristiche.

1. Interruttore acceso/spento
2. Pulsante di blocco interruttore
3. Impugnatura principale
4. Impugnatura secondaria
5. Pulsante di blocco dell'alberino
6. Piastra d'appoggio
7. Lama
8. Protezione lama
9. Leva di bloccaggio riparo
10. Apertura uscita polvere di segatura

Assemblaggio

Avvertenza! Prima di tentare una delle seguenti operazioni, verificare che l'elettrotensile sia spento e scollegato dalla presa elettrica e che la lama sia ferma.

Montaggio e smontaggio di una lama della sega (fig. A)

Rimozione

- ◆ Mantenere premuto il pulsante di blocco del mandrino (5) e ruotare la lama a quando il blocco del mandrino si innesta.
- ◆ Allentare e sfilare la vite di ritenuta della lama (11) ruotandola in senso antiorario per mezzo della chiave (12) fornita.
- ◆ Sfilare la rondella esterna (13).
- ◆ Rimuovere la lama della sega (7).

Montaggio

- ◆ Posizionare la lama della sega sulla flangia interna (14), accertandosi che la freccia sulla lama sia rivolta nella medesima direzione di quella sull'elettrotensile.

- ◆ Infilare la rondella esterna (13) sul mandrino, con la parte rialzata rivolta dalla parte opposta a quella della lama della sega.
- ◆ Inserire la vite di ritenuta della lama (11) nel foro.
- ◆ Tenere premuto il pulsante di blocco del mandrino (5).
- ◆ Serrare saldamente la vite di ritenuta della lama ruotandola in senso orario con la chiave (12) fornita.

Montaggio e smontaggio della guida pezzo parallela (fig. B)

- ◆ La guida pezzo parallela viene usata per segare in linea retta parallelamente al bordo del pezzo.

Montaggio

- ◆ Allentare la manopola di bloccaggio (16).
- ◆ Inserire la guida pezzo parallela (17) dalle aperture (18).
- ◆ Far scorrere la guida pezzo parallela nella posizione richiesta.
- ◆ Serrare la manopola di bloccaggio.

Rimozione

- ◆ Allentare il pomello di bloccaggio.
- ◆ Estrarre la guida pezzo parallela dall'elettrotensile.

Utilizzo

Avvertenza! Lasciare che l'elettrotensile funzioni al suo ritmo. Non sovraccaricarlo.

Questo elettrotensile può essere usato con la mano destra o con quella sinistra.

Regolazione dell'angolo di segatura (fig. C)

- ◆ Usare una squadra per controllare che l'angolo tra la lama della sega e il piedino di scorrimento lama sia di 90°. Se l'angolo non misura 90° regolarlo nel modo seguente:
- ◆ Allentare il pomello di bloccaggio (19) per sbloccare il piedino scorrimento lama.
- ◆ Allentare il controdado (20) sulla vite di regolazione (21).
- ◆ Avvitare o svitare la vite di regolazione (20) per ottenere l'angolo di 90°.
- ◆ Riserrare il controdado.
- ◆ Serrare la manopola di bloccaggio per bloccare in sede il piedino scorrimento lama.

Regolazione della profondità di taglio (fig. D)

La profondità del taglio deve essere tarata in base allo spessore del pezzo. e dovrebbe superare tale spessore di 2 mm circa.

- ◆ Allentare la manopola (20) per sbloccare il piedino scorrimento lama.
- ◆ Spostare il piedino scorrimento lama (6) nella posizione desiderata. La corrispondente profondità di taglio può essere letta sulla scala (21).

- ◆ Serrare il pomello per bloccare in sede il piedino scorrimento lama.

Regolazione dell'angolo di smusso (fig. E)

Su questo elettrotensile è possibile regolare gli angoli di smusso tra 0° e 45°.

- ◆ Allentare il pomello di bloccaggio (19) per sbloccare il piedino scorrimento lama.
- ◆ Spostare il piedino scorrimento lama (6) nella posizione desiderata. Il corrispondente angolo di smusso può essere letto sulla scala (24).
- ◆ Serrare la manopola di bloccaggio per bloccare in sede il piedino scorrimento lama.

Accensione e spegnimento

- ◆ Per accendere l'elettrotensile, spostare il pulsante di sicurezza (2) sulla posizione di sbloccaggio e premere il pulsante di accensione (1).
- ◆ Per spegnere l'elettrotensile, rilasciare l'interruttore di accensione.

Taglio

Tenere sempre l'elettrotensile con entrambe le mani.

- ◆ Prima di iniziare a tagliare, lasciare che la lama ruoti liberamente per alcuni secondi.
- ◆ Esercitare solo una leggera pressione sull'elettrotensile mentre si esegue il taglio.
- ◆ Lavorare con il piedino scorrimento lama premuto contro il pezzo.

Nota: prestare attenzione a non lasciare che le punte della lama si surriscaldino.

Utilizzo della guida a vista (fig. F)

L'elettrotensile è dotato di guida a vista per il taglio diritto (25).

- ◆ Lavorare con il piedino scorrimento lama premuto contro il pezzo.
- ◆ Allineare il bordo sinistro delle guide (25) rispetto alla linea di taglio (26).

Aspirazione polveri

Per collegare un aspirapolvere di qualsiasi tipo all'elettrotensile, è necessario usare un adattatore di estrazione della polvere.

- ◆ Inserire l'adattatore di estrazione della polvere nell'apertura di uscita della polvere (10).
- ◆ Collegare il tubo dell'aspirapolvere all'adattatore.

Consigli per un utilizzo ottimale

- ◆ Usare sempre il corretto tipo di lama per il materiale da tagliare.
- ◆ Tenere sempre l'elettrotensile con entrambe le mani.

- ◆ Prima di iniziare a tagliare, lasciare che la lama ruoti liberamente per alcuni secondi.
- ◆ Esercitare solo una leggera pressione sull'elettrotensile mentre si esegue il taglio.
- ◆ Lavorare con il piedino scorrimento lama premuto contro il pezzo.
- ◆ Dato che non è possibile evitare un certo grado di scheggiatura lungo la linea di taglio sul lato superiore del pezzo, tagliare dal lato dove tale scheggiatura è accettabile.
- ◆ Se è necessario limitare tale scheggiatura, ad esempio quando si tagliano dei laminati, attaccare con dei morsetti una striscia di compensato sulla parte superiore del pezzo.
- ◆ Sorreggere i pannelli più grandi per limitare il rischio che la lama si incastri o causi dei contraccolpi. I pannelli più grandi tendono a incurvarsi sotto il loro peso.
- ◆ Infilare dei supporti sotto entrambi i lati del pannello, vicino alla linea di taglio o al bordo del pannello che si sta tagliando.
- ◆ Non tenere mai il pezzo da tagliare in mano o appoggiato sulla coscia.
- ◆ Fissare il pezzo su di una piattaforma stabile usando dei morsetti. Per ridurre al minimo il pericolo di un contatto con il corpo, la possibilità di un blocco della lama da taglio oppure la perdita del controllo, è importante fissare bene il pezzo in lavorazione.

Manutenzione

Questo apparecchio Stanley FatMax con o senza filo è stato progettato per funzionare a lungo con una manutenzione minima. Prestazioni sempre soddisfacenti dipendono da una cura appropriata e da una pulizia regolare.

Avvertenza! Prima di eseguire interventi di manutenzione su elettrotensili con o senza filo procedere come descritto di seguito.

- ◆ Spegner e scollegare l'elettrotensile dalla presa di corrente.
- ◆ Oppure spegnere ed estrarre la batteria se l'apparecchio/elettrotensile è dotato di battery pack a parte.
- ◆ Oppure scaricare completamente la batteria, se è di tipo integrale, quindi spegnerlo.
- ◆ Scollegare il caricabatterie prima di pulirlo. Il caricabatterie non richiede nessuna manutenzione salvo una regolare pulitura.
- ◆ Pulire regolarmente le prese di ventilazione dell'apparecchio/elettrotensile/alimentatore con un pennello o con un panno morbido e asciutto.
- ◆ Il vano del motore deve essere pulito regolarmente con un panno umido.
- ◆ Non usare materiali abrasivi o detergenti a base di solventi.

- ◆ Aprire regolarmente il mandrino portapunta e batterlo leggermente per eliminare la polvere dall'interno (se in dotazione).

Protezione dell'ambiente



Raccolta differenziata. I prodotti e le batterie contrassegnate con questo simbolo devono essere smaltiti con i rifiuti domestici normali.

I prodotti e le batterie contengono materiali che possono essere recuperati o riciclati riducendo la richiesta di materie prime.

Riciclare i prodotti elettrici e le batterie secondo le disposizioni locali. Ulteriori informazioni sono disponibili all'indirizzo www.2helpU.com

Dati tecnici

KFFMES301 (Tipo 1)		
Tensione in ingresso	V_{Ac}	230
Potenza assorbita	W	1650
Velocità a vuoto	Min^{-1}	5500
Profondità max. del taglio	mm	66
Diametro lama	mm	190
Alesatura lama	mm	16
Larghezza dente lama	mm	1,8
Peso	kg	3,9 4,31 con lama

Livello di pressione sonora misurato in base a EN 60745:

Pressione sonora (L_{pA}) 89,0 dB(A), incertezza (K) 3 dB(A)

Potenza acustica (L_{WA}) 100 dB(A), incertezza (K) 3 dB(A)

Valori totali vibrazioni (somma vettoriale triassiale) in base a EN 60745:

Valore emissioni vibrazioni ($a_{h,n}$) 2,6 m/s^2 , incertezza (K) 1,5 m/s^2 (taglio del legno)

Dichiarazione di conformità CE DIRETTIVA MACCHINE



KFFMES301 - sega circolare

Stanley Europe dichiara che questi prodotti descritti al paragrafo "Dati tecnici" sono conformi a:
EN60745-1:2009+A11:2010, EN60745-2-5:2010

Questi prodotti sono conformi alla Direttiva
2006/42/CE, 2014/30/UE e 2011/65/UE.

Per ulteriori informazioni contattare Stanley Fat Max al seguente indirizzo oppure consultare l'ultima di copertina del manuale.

Il firmatario è responsabile della compilazione del documento tecnico e rende questa dichiarazione per conto di Stanley Fat Max.



R. Laverick
Engineering Director
Stanley Fat Max Europe, 210 Bath Road, Slough,
Berkshire, SL1 3YD
Regno Unito
07/02/2018

Garanzia

Stanley Europe è sicura della qualità dei propri prodotti e offre ai consumatori una garanzia di 12 mesi dalla data di acquisto. Il presente certificato di garanzia è complementare ai diritti legali e non li pregiudica in alcun modo. La garanzia è valida sui territori degli stati membri dell'Unione Europea o dell'EFTA (Associazione europea di libero scambio).

Per attivare la garanzia, il reclamo deve essere effettuato in accordo con i Termini e Condizioni Stanley Europe e sarà necessario presentare la prova di acquisto al venditore o all'agente di riparazione autorizzato.

I Termini e condizioni della garanzia Stanley Europe di 1 anno e la sede dell'agente di riparazione autorizzato più vicino sono consultabili su Internet all'indirizzo www.2helpU.com, o contattando l'ufficio Stanley Fat Max di zona all'indirizzo indicato in questo manuale.

Visitare il nostro sito www.stanley.eu/3 per registrare il nuovo prodotto Stanley Fat Max e ricevere gli aggiornamenti sui nuovi prodotti e le offerte speciali.

Bedoeld gebruik

Uw Stanley Fat Max-zaag KFFMES301 is ontworpen voor het zagen van hout en houtproducten. Dit gereedschap is bedoeld voor professionele gebruikers en voor privé-gebruik.

Veiligheidsinstructies

Algemene veiligheidswaarschuwingen voor elektrisch gereedschap



Waarschuwing! Lees alle veiligheidswaarschuwingen en alle instructies. Wanneer de volgende waarschuwingen en voorschriften niet in acht worden genomen, kan dit een elektrische schok, brand of ernstig letsel tot gevolg hebben.

Bewaar alle waarschuwingen en instructies als referentiemateriaal. De hierna gebruikte term 'elektrisch gereedschap' in alle waarschuwingen die hieronder worden vermeld, heeft betrekking op elektrisch gereedschap voor gebruik op netspanning (met netsnoer) of met een accu (snoerloos).

1. Veilige werkomgeving

- a. **Houd uw werkomgeving schoon en goed verlicht.** Op rommelige of donkere plekken zullen sneller ongelukken gebeuren.
- b. **Werk niet met elektrisch gereedschap in een omgeving met explosiegevaar, zoals in de nabijheid van brandbare vloeistoffen, gassen of stof.** Elektrisch gereedschap veroorzaakt vonken die het stof of de dampen kunnen doen ontbranden.
- c. **Houd kinderen en omstanders op afstand, wanneer u met elektrisch gereedschap werkt.** Als u wordt afgeleid, kunt u de controle over het gereedschap verliezen.

2. Elektrische veiligheid

- a. **De netstekker van het gereedschap moet in het stopcontact passen. Pas de stekker nooit op enige manier aan. Gebruik geen adapterstekkers in combinatie met geaard elektrisch gereedschap.** Niet-aangepaste stekkers en passende contactdozen verminderen het risico van een elektrische schok.
- b. **Vermijd aanraking van het lichaam met geaarde oppervlakken, bijvoorbeeld buizen, verwarmingen, fornuizen en koelkasten.** Er bestaat een verhoogd risico van een elektrische schok als uw lichaam contact heeft met aarde.
- c. **Stel het gereedschap niet bloot aan regen en vocht.** Als er water in een elektrisch gereedschap dringt, verhoogt dit het risico van een elektrische schok.
- d. **Behandel het snoer voorzichtig.**

Gebruik het snoer nooit om het elektrische gereedschap te dragen of naar u toe te trekken, of de stekker uit het stopcontact te halen. Houd het snoer uit de buurt van warmte, olie, scherpe randen, of bewegende onderdelen. Beschadigde snoeren of snoeren die in de war zijn geraakt, verhogen het risico van een elektrische schok.

- e. **Gebruik, wanneer u buitenshuis met elektrisch gereedschap werkt, alleen verlengsnoeren die zijn goedgekeurd voor gebruik buitenshuis.** Het gebruik van een verlengsnoer dat geschikt is voor buitenshuis, vermindert het risico van een elektrische schok.
- f. **Als u met elektrisch gereedschap werkt op een vochtige locatie, gebruik dan een aardlekschakelaar (RCD).** Het gebruik van een aardlekschakelaar vermindert het risico van een elektrische schok.

3. Persoonlijke veiligheid

- a. **Blijf alert, let goed op wat u doet en ga met verstand te werk bij het gebruik van elektrische gereedschap. Gebruik het gereedschap niet als u vermoeid bent of onder de invloed van drugs, alcohol of medicatie bent.** Een moment van onoplettendheid tijdens het werken met elektrisch gereedschap kan leiden tot ernstig persoonlijk letsel.
- b. **Draag persoonlijke beschermende uitrusting. Draag altijd oogbescherming.** Beschermende uitrusting, zoals een stofmasker, antislip veiligheidsschoenen, een helm, of gehoorbescherming, gebruikt in de juiste omstandigheden, zal het risico op persoonlijk letsel verminderen.
- c. **Voorkom per ongeluk inschakelen. Controleer dat de schakelaar in de uit-stand staat voordat u het gereedschap aansluit op het stopcontact en/of de accu plaatst en voordat u het gereedschap optilt of gaat dragen.** Het dragen van elektrisch gereedschap met uw vinger op de schakelaar of het aanzetten van elektrisch gereedschap waarvan de schakelaar aan staat, kan leiden tot ongelukken.
- d. **Verwijder instelgereedschap of steeksleutels voordat u het gereedschap inschakelt.** Een steeksleutel of een inbussleutel in een draaiend deel van het gereedschap kan tot verwondingen leiden.
- e. **Reik niet buiten uw macht. Blijf altijd stevig en in balans op de grond staan.** Dit geeft u betere controle over het elektrisch gereedschap in onverwachte situaties.
- f. **Draag geschikte kleding. Draag geen loszittende kleding of sieraden. Houd uw haar, kleding en handschoenen uit de buurt van bewegende onderdelen.** Loszittende kleding, sieraden of lang haar kunnen door bewegende delen worden gegrepen.

- g. **Als voorzieningen voor stofafzuiging of stofopvang kunnen worden gemonteerd, controleer dan dat deze zijn aangesloten en op de juiste wijze worden gebruikt.** Het gebruik van stofafzuiging kan aan stof gerelateerde gevaren verminderen.

4. Gebruik en onderhoud van elektrisch gereedschap

- a. **Overbelast het elektrisch gereedschap niet. Gebruik het juiste elektrisch gereedschap voor uw toepassing.** Met het juiste elektrisch gereedschap kunt u de werkzaamheden waarvoor het gereedschap is ontworpen, beter en veiliger uitvoeren.
- b. **Gebruik het elektrisch gereedschap niet als de schakelaar niet goed werkt.** Ieder gereedschap dat niet met de schakelaar kan worden bediend, is gevaarlijk en moet worden gerepareerd.
- c. **Trek de stekker uit het stopcontact en/of de accu uit het elektrisch gereedschap voordat u het gereedschap instelt, toebehoren wisselt of het gereedschap opbergt.** Dergelijke preventieve veiligheidsmaatregelen verminderen het risico dat het elektrisch gereedschap per ongeluk wordt gestart.
- d. **Bewaar elektrisch gereedschap dat niet wordt gebruikt, buiten bereik van kinderen. Laat niet personen die er niet vertrouwd mee zijn en deze aanwijzingen niet hebben gelezen, met het gereedschap werken.** Elektrisch gereedschap is gevaarlijk in handen van ongetrainde gebruikers.
- e. **Onderhoud het gereedschap goed. Controleer of bewegende delen van het gereedschap wel goed functioneren en niet klemmen, en of er niet onderdelen zodanig zijn gebroken of beschadigd dat de werking van het gereedschap nadelig wordt beïnvloed. Laat het gereedschap voor gebruik repareren als het beschadigd is.** Veel ongelukken worden veroorzaakt door slecht onderhouden elektrisch gereedschap.
- f. **Houd zaaggereedschap scherp en schoon.** Goed onderhouden zaaggereedschap met scherpe snijvlakken loopt minder snel vast en is gemakkelijker onder controle te houden.
- g. **Gebruik elektrisch gereedschap, toebehoren, zaagjes en boortjes, enz., volgens deze aanwijzingen. Let daarbij op de arbeidsomstandigheden en de uit te voeren werkzaamheden.** Gebruik van het elektrisch gereedschap voor werkzaamheden die anders zijn dan bedoeld, kan leiden tot een gevaarlijke situatie.

5. Service

- a. **Laat het gereedschap alleen repareren door gekwalificeerd en vakkundig personeel en alleen met originele vervangingsonderdelen.** De veiligheid van het gereedschap blijft dan gewaarborgd.

Aanvullende veiligheidswaarschuwingen voor elektrisch gereedschap



Waarschuwing! Veiligheidsinstructies voor alle zagen

Zaagprocedures

- Houd uw handen verwijderd van het zaaggebied en het zaagblad. Houd uw tweede hand op de hulphandgreep, of op het motorhuis.** Als beide handen de zaag vasthouden, kunnen zij niet in aanraking komen met het zaagblad.
- Reik niet onder het werkstuk.** Onder het werkstuk kan de kap u niet beschermen tegen het zaagblad.
- Pas de zaagdiepte aan aan de dikte van het werkstuk.** Minder dan een volledige tand van de bladtanden dient zichtbaar te zijn onder het werkstuk.
- Houd nooit het stuk dat u wilt zagen in uw handen of over uw benen.** Zet het werkstuk vast op een stabiele ondergrond. Het is belangrijk dat het werkstuk goed ondersteund zodat blootstelling van het lichaam, vastlopen van het zaagblad of het verlies van controle tot een minimum worden beperkt.
- Houd het gereedschap alleen vast bij de geïsoleerde greepoppervlakken wanneer u een handeling uitvoert waarbij het zaaggereedschap met onzichtbare bedrading of met het eigen snoer in aanraking kan komen.**
Als een onder spanning staand snoer wordt geraakt, komen ook onbedekte metalen onderdelen van het gereedschap onder spanning, en kunt u een elektrische schok krijgen.
- Wanneer u overlangs gaat zagen, moet u altijd een langsgelieder of een richtlijniaal gebruiken.** De nauwkeurigheid van het zagen neemt toe en is er minder kans dat het zaagblad vastloopt.
- Gebruik altijd zaagbladen van de juiste omvang en vorm (ruitvormig tegenover rond) van het asgat.**
Zaagbladen die niet passen bij de montagevoorziening van de zaag, zullen excentrisch lopen, waardoor verlies van controle ontstaat.
- Gebruik nooit beschadigde of onjuiste zaagbladringen of een onjuiste zaagbladbout.** De zaagbladringen en -bout zijn speciaal voor uw zaag ontworpen, voor optimale prestaties en veiligheid in gebruik.

Verdere veiligheidsinstructies voor alle zagen

Oorzaken van terugslag en gerelateerde waarschuwingen

- terugslag is een plotselinge reactie op een bekneld, vastgelopen of verkeerd uitgelijnd zaagblad, waarbij een zaag oncontroleerbaar omhoog komt uit het werkstuk in de richting van de gebruiker;

- wanneer het zaagblad bekneld raakt of vastloopt doordat de zaagsnede zich sluit, loopt het zaagblad vast en wordt de machine door de reactie van de motor snel in de richting van de gebruiker geduwd;
- als het zaagblad krom wordt of verkeerd uitgelijnd raakt in de zaagsnede, kunnen de tanden aan de achterzijde van het zaagblad zich in het bovenoppervlak van het hout vreten, waardoor het zaagblad uit de zaagsnede omhoog klimt naar de gebruiker toe.

Terugslag is het gevolg van een verkeerd gebruik en/of onjuiste gebruiksomstandigheden van de zaag en kan worden voorkomen door geschikte voorzorgsmaatregelen te nemen, zoals hieronder wordt vermeld.

- Blijf de zaag stevig met beide handen vasthouden en plaats uw armen zo dat u een eventuele terugslag kunt tegenhouden. Plaats uw lichaam aan één van beide zijden van het zaagblad, maar niet in lijn met het zaagblad.** Door terugslag kan de zaag naar achteren springen, maar de krachten van de terugslag kunnen door de gebruiker worden gecontroleerd, als de juiste voorzorgsmaatregelen worden genomen.
- Laat, wanneer het zaagblad vast komt te zitten, of wanneer u het zagen om welke reden dan ook wilt onderbreken, de schakelaar los en houd de zaag stil in het materiaal tot het zaagblad volledig tot stilstand is gekomen.**
Probeer nooit de zaag uit het werkstuk te trekken of de zaag naar achteren te trekken terwijl het zaagblad loopt of wanneer terugslag zich kan voordoen. Zoek naar de oorzaak van het vastlopen en neem de geschikte maatregelen om die oorzaak te verhelpen.
- Centreer, wanneer u een zaag opnieuw start in het werkstuk, het zaagblad in de zaagsnede en controleer dat de zaagtanden niet in het materiaal vastzitten.** Als het zaagblad vast zit, kan het uit het werkstuk omhoog lopen of terugslaan uit het werkstuk wanneer de zaag opnieuw wordt gestart.
- Ondersteun grote panelen zodat het risico van het bekneld raken van het zaagblad en van terugslag tot een minimum wordt beperkt.** Grote panelen zakken vaak door onder hun eigen gewicht. Er moet aan beide zijden ondersteuning onder het paneel worden geplaatst, dicht bij de zaagsnede en dicht bij de rand van het paneel.
- Gebruik geen botte of beschadigde bladen.** Bij niet-geslepen of onjuist geplaatste zaagbladen krijgt u een nauwe zaagsnede, ontstaat te veel wrijving, komt het zaagblad vast te zitten en treedt terugslag op.
- Vergrendelingen van de zaagbladdiepte en afschuinhoek moeten stevig zijn vastgezet voordat er wordt gezaagd.** Als het zaagblad tijdens het zagen verschuift, kan het vast komen te zitten en treedt terugslag op.

- a. **Wees vooral voorzichtig wanneer u in bestaande muren of andere verborgen gedeeltes zaagt.** Het vooruitstekende zaagblad kan voorwerpen zagen die terugslag kunnen veroorzaken.

Functioneren van onderste beschermkap

- a. **Controleer voor ieder gebruik dat de onderste zaagbladbeschermkap goed sluit. Gebruik de zaag niet als de onderste beschermkap niet vrij beweegt en zich niet ogenblikkelijk sluit. Klem of bind de onderste beschermkap nooit vast in een geopende stand.** Als de zaag komt te vallen, kan de onderste beschermkap verbogen raken. Breng de onderste beschermkap met de terugtrekkende handgreep omhoog en controleer dat de kap vrij kan bewegen en onder geen enkele hoek en bij geen enkele zaagdiepte het zaagblad of een ander onderdeel raakt.
- b. **Controleer het veermechanisme voor de onderste beschermkap. Als de beschermkap en de veer niet goed werken, moeten zij vóór gebruik worden nagezien.** Mogelijk werkt de onderste beschermkap traag als gevolg van beschadigde onderdelen, ingedikte resten van smeermiddelen of opeenhoping van vuil.
- c. **U mag de onderste beschermkap alleen handmatig omhooghouden bij speciale bewerkingen, zoals "invalzaagsneden" en "samengestelde zaagsneden".** Breng de onderste beschermkap omhoog door de handgreep terug te halen en laat de kap los zodra het zaagblad in het materiaal dringt. Voor alle andere zaagwerkzaamheden moet de onderste beschermkap automatisch functioneren.
- d. **Let er altijd goed op dat, voordat u de zaag op een werkbank of op de vloer zet, de onderste beschermkap het zaagblad bedekt.** Als het zaagblad niet wordt afgeschermd en nog draait, 'loopt' de zaag naar achteren en wordt letsel of schade veroorzaakt. Houd rekening met de tijd die het zaagblad nodig heeft om tot stilstand te komen nadat u de schakelaar hebt losgelaten.

Overige risico's

Er kunnen zich bij het gebruik van dit gereedschap nog meer risico's voordoen, die mogelijk niet in de bijgesloten veiligheidswaarschuwingen worden beschreven. Deze risico's kunnen zich voordoen door onoordeelkundig gebruik, langdurig gebruik, enz.

Zelfs wanneer de veiligheidsvoorschriften in acht worden genomen en de veiligheidsvoorzieningen worden gebruikt, kunnen bepaalde risico's niet worden uitgesloten. Dit zijn onder meer:

- ◆ Verwondingen die worden veroorzaakt door het aanraken van draaiende of bewegende onderdelen.
- ◆ Verwondingen die worden veroorzaakt bij het vervangen van onderdelen, messen of accessoires.
- ◆ Verwondingen die worden veroorzaakt door langdurig gebruik van gereedschap. Wanneer u langere periodes met de machine werkt, kunt u het beste regelmatig een pauze nemen.
- ◆ Gehoorbeschadiging.
- ◆ Gezondheidsrisico's door het inademen van stof dat vrijkomt tijdens het gebruik van uw gereedschap (bijvoorbeeld: het werken met hout, met name eiken, beuken en MDF.)

Zaagbladen

- ◆ Gebruik geen zaagbladen met een grotere of kleinere diameter dan wordt aanbevolen. Raadpleeg de technische gegevens voor de juiste afmetingen van het zaagblad. Gebruik alleen de zaagbladen die worden opgegeven in deze handleiding, en die voldoen aan EN 847-1.
- ◆ **Waarschuwing!** Gebruik nooit slijpschijven.

Veiligheid van anderen

- ◆ Het is niet de bedoeling dat deze machine wordt gebruikt door personen (waaronder kinderen) met verminderde fysieke, zintuiglijke of psychische vermogens, of met een gebrek aan ervaring en kennis, tenzij onder toezicht van of met aanwijzingen over het gebruik van de machine door een persoon die verantwoordelijk is voor hun veiligheid.
- ◆ Houd toezicht op kinderen zodat zij niet met het apparaat kunnen spelen.

Trillingen

De aangegeven waarden voor trillingsemisatie in de technische gegevens en de conformiteitsverklaring, zijn gemeten conform een standaardtestmethode die door EN 60745 wordt verstrekt. Hiermee kan het ene gereedschap met het andere worden vergeleken. De aangegeven waarde voor trillingsemisatie kan ook worden gebruikt bij een voorlopige bepaling van blootstelling.

Waarschuwing! De waarde voor trillingsemisatie tijdens het werkelijke gebruik van het gereedschap kan verschillen van de aangegeven waarde afhankelijk van de manieren waarop het gereedschap wordt gebruikt. Het trillingsniveau kan toenemen tot boven het aangegeven niveau.

Bij beoordeling van de blootstelling aan trillingen met het doel vast te stellen welke veiligheidsmaatregelen 2002/44/EG vereist ter bescherming van personen die tijdens hun werk regelmatig elektrisch gereedschap gebruiken, moet bij een inschatting van de blootstelling aan trillingen rekening worden gehouden met de werkelijke gebruiksomstandigheden en de manier waarop het gereedschap wordt gebruikt. Daarbij moet ook rekening worden gehouden met alle onderdelen van de bedrijfscyclus, zoals wanneer het gereedschap wordt uitgeschakeld en wanneer het gereedschap stationair loopt en ook de aanlooptijd.

Etiketten op het gereedschap

De volgende symbolen worden met de datumcode op het gereedschap weergegeven:



Waarschuwing! De gebruiker moet de instructiehandleiding lezen zodat het risico van letsel wordt beperkt.

Elektrische veiligheid



Deze machine is dubbel geïsoleerd, daarom is een aardeaansluiting niet noodzakelijk. Controleer altijd of de stroomvoorziening overeenkomt met de voltage op het typeplaatje.

- ◆ Als het netsnoer is beschadigd, moet dit, om ongelukken te voorkomen, worden vervangen door de fabrikant of een Stanley Fat Max-servicecentrum

Functies

Dit gereedschap is voorzien van enkele of alle van de volgende functies.

1. Aan/Uit-schakelaar
2. Vergrendelknop Uit-stand
3. Hoofdhandgreep
4. Steungreep
5. Knop asvergrendeling
6. Schoen
7. Zaagblad
8. Beschermpak voor zaagblad
9. Handgreep beschermpak
10. Opening voor stofafzuiging

Montage

Waarschuwing! Vóór het uitvoeren van de volgende werkzaamheden moet het gereedschap zijn uitgeschakeld, de stekker uit het stopcontact zijn getrokken, en het zaagblad tot stilstand zijn gekomen.

Een zaagblad bevestigen en verwijderen (fig. A)

Verwijderen

- ◆ Houd de vergrendelknop voor de as (5) ingedrukt en draai het blad tot de asvergrendeling ingrijpt.
- ◆ Draai de bevestigingsschroef (11) van het zaagblad linksom los met de bijgeleverde steeksleutel (12) en verwijder de schroef.
- ◆ Verwijder de buitenste ring (13).
- ◆ Neem het zaagblad uit (7).

Monteren

- ◆ Plaats het zaagblad op de binnenste rand (14) en let erop dat de pijl op het zaagblad en de pijl op het gereedschap in dezelfde richting wijzen.

- ◆ Plaats de buitenste ring (13) op de as. Het opstaande gedeelte van de ring moet van het zaagblad af wijzen.
- ◆ Plaats de bevestigingsschroef van het zaagblad (11) in het gat.
- ◆ Houd de asvergrendelknop (5) ingedrukt.
- ◆ Draai de bevestigingsschroef van het zaagblad rechtsom stevig vast met de bijgeleverde steeksleutel (12).

De parallelle geleider bevestigen en verwijderen (afb. B)

- ◆ Met de langseleider kunt u in een rechte lijn zagen, parallel aan de rand van het werkstuk.

Monteren

- ◆ Draai de vergrendelknop (16) los.
- ◆ Plaats de langseleider (17) in de openingen (18).
- ◆ Schuif de langseleider in de gewenste stand.
- ◆ Zet de vergrendelknop vast.

Verwijderen

- ◆ Draai de vergrendelknop los.
- ◆ Trek de langseleider los van het gereedschap.

Gebruik van het gereedschap

Waarschuwing! Laat het gereedschap op zijn eigen snelheid werken. Overbelast het gereedschap niet.

Dit gereedschap kan linkshandig en rechtshandig worden gebruikt.

De zaaghoek instellen (afb. D)

- ◆ Controleer met een winkelhaak dat de hoek tussen het zaagblad en de zool 90° is. Als de hoek niet gelijk is aan 90°, pas de hoek dan aan door als volgt te werk te gaan:
- ◆ Draai de vergrendelknop (19) los en ontgrendel de zool.
- ◆ Draai de borgmoer (20) op de afstelschroef (21) los.
- ◆ Schroef de stelschroef omhoog of omlaag tot de hoek 90° is.
- ◆ Draai de borgmoer weer vast.
- ◆ Draai de vergrendelknop vast en vergrendel zo de zool op zijn plaats.

De zaagdiepte instellen (afb. D)

De zaagdiepte moet worden ingesteld naar de dikte van het werkstuk. De zaagdiepte moet ongeveer 2 mm meer zijn dan de dikte van het werkstuk.

- ◆ Ontgrendel de zool door de knop (20) los te draaien.
- ◆ Verplaats de zaagzool (6) naar de gewenste positie. De bijbehorende zaagdiepte kan op de schaalverdeling (21) worden afgelezen.
- ◆ Vergrendel de zool door de knop vast te zetten.

De afschuinhoek afstellen (afb. E)

Dit gereedschap kan zo worden ingesteld dat hoeken tussen 0° en 45° kunnen worden gezaagd.

- ◆ Draai de vergrendelknop (19) los en ontgrendel de zool.
- ◆ Verplaats de zaagzool (6) naar de gewenste positie. De bijbehorende verstekhoek kan worden afgelezen op de schaal (24).
- ◆ Draai de vergrendelknop vast en vergrendel zo de zool op zijn plaats.

In- en uitschakelen

- ◆ U schakelt het gereedschap in door de knop voor vergrendeling in de uit-stand (2) in de ontgrendelde stand te duwen en de aan/uit-schakelaar (1) in te knijpen.
- ◆ U schakelt het gereedschap weer uit door de aan/uit-schakelaar los te laten.

Zagen

Houd het gereedschap altijd met beide handen vast.

- ◆ Laat het blad een paar seconden draaien en begin dan pas met zagen.
- ◆ Oefen tijdens het zagen slechts geringe druk op het gereedschap uit.
- ◆ Druk de zool tijdens het zagen altijd tegen het werkstuk.

Opmerking: Let erop dat de punten van het zaagblad niet oververhit raken.

De zichtgeleider gebruiken (afb. F)

Het gereedschap is voorzien van een zichtgeleider (25) voor zagen in een rechte lijn.

- ◆ U kunt de zichtgeleider instellen op de hierna beschreven wijze.
- ◆ Lijn de linkerrand van de zichtgeleider (25) uit met de zaaglijn (26).

Stofafzuiging

Als u een stofzuiger wilt aansluiten op het gereedschap, hebt u een adapter nodig.

- ◆ Plaats de adapter voor de stofafzuiging op de opening voor stofafzuiging (10).
- ◆ Sluit de slang van de stofzuiger aan op de adapter.

Tips voor optimaal gebruik

- ◆ Gebruik altijd een type zaagblad dat geschikt is voor het materiaal van het werkstuk en voor het type zaagsnede.
- ◆ Houd het gereedschap altijd met beide handen vast.
- ◆ Laat het blad een paar seconden draaien en begin dan pas met zagen.
- ◆ Oefen tijdens het zagen slechts geringe druk op het gereedschap uit.
- ◆ Druk de zool tijdens het zagen altijd tegen het werkstuk.

- ◆ Aangezien splintervorming bij de zaagsnede aan de bovenzijde van het werkstuk onvermijdelijk is, kunt u het beste zagen aan de kant waar splintervorming acceptabel is.
- ◆ Wanneer u splintervorming zoveel mogelijk wilt beperken, bijvoorbeeld bij het zagen van laminaat, kunt u een stuk multiplex boven op het werkstuk klemmen.
- ◆ Ondersteun grote panelen zodat het risico op vastlopen of terugslaan te zoveel mogelijk wordt beperkt. Grote panelen zakken vaak door onder hun eigen gewicht.
- ◆ Er moeten steunen aan beide kanten onder het paneel worden geplaatst: naast de zaaglijn en aan de rand van het paneel waarin u zaagt.
- ◆ Houd nooit het stuk dat u wilt zagen in uw handen of op uw been.
- ◆ Zet het werkstuk met klemmen vast op een stabiele ondergrond. Het is belangrijk dat het werkstuk goed wordt ondersteund zodat blootstelling van het lichaam, vastlopen van het zaagblad of het verlies van controle tot een minimum worden beperkt.

Onderhoud

Uw Stanley FatMax-gereedschap/-apparaat (met snoer/snoerloos) is ontworpen om gedurende lange tijd te werken met een minimum aan onderhoud.

Het continu naar tevredenheid functioneren hangt af van de juiste zorg voor het gereedschap en regelmatige reiniging.

Waarschuwing! Ga altijd als volgt te werk voor u onderhoud aan het gereedschap (met snoer/snoerloos) uitvoert:

- ◆ Schakel de machine/het apparaat uit en trek de stekker uit het stopcontact.
- ◆ Of schakel de machine/het gereedschap uit en neem de accu uit, als de machine/het gereedschap een aparte accu heeft.
- ◆ Of maak de accu helemaal leeg, als de accu is ingebouwd en schakel de machine uit.
- ◆ Neem de lader uit het stopcontact voordat u deze schoonmaakt. Behalve regelmatige reiniging vraagt de lader geen onderhoud.
- ◆ Reinig regelmatig de ventilatieopeningen van het gereedschap/apparaat/lader met een zachte borstel of droge doek.
- ◆ Reinig de behuizing van de motor regelmatig met een vochtige doek.
- ◆ Gebruik niet een schurend schoonmaakmiddel of een schoonmaakmiddel op basis van een oplosmiddel.
- ◆ Open regelmatig de spanknop en tik erop zodat eventueel stof uit het binnenste valt (indien van toepassing).

Het milieu beschermen



Gescheiden afvalinzameling. Producten en accu's waarop dit symbool is aangebracht, mogen niet bij het normale huishoudafval worden weggegooid.

Producten en accu's bevatten materialen die kunnen worden teruggewonnen of gerecycled, wat de vraag naar grondstoffen doet afnemen.

Recycle elektrische producten en accu's volgens de ter plaatse geldende bepalingen. Nadere informatie is beschikbaar op www.2helpU.com

Technische gegevens

		KFFMES301 (Type 1)
Ingangsspanning	V_{Ac}	230
Vermogen	W	1650
Snelheid onbelast	Min. ⁻¹	5500
Max. zaagdiepte	mm	66
Zaagbladdiameter	mm	190
Zaagbladboring	mm	16
Tipbreedte zaagblad	mm	1,8
Gewicht	kg	3,9 (4,31 met zaagblad)

Geluidsdruk niveau, volgens EN 60745:

Geluidsdruk (L_{pA}) 89,0 dB(A), meetonzekerheid (K) 3 dB(A)

Geluidsvermogen (L_{WA}) 100 dB(A), meetonzekerheid (K) 3 dB(A)

Totale trillingswaarden (som triaxvector) volgens EN 60745:

Waarde trillingsemissie ($a_{h,w}$) 2,6 m/s^2 , meetonzekerheid (K) 1,5 m/s^2 (hout zagen)

EG conformiteitsverklaring

RICHTLIJN VOOR MACHINES



KFFMES301 - Cirkelzaag

Stanley Europe verklaart dat deze producten, die worden beschreven onder "Technische gegevens", voldoen aan: EN60745-1:2009+A11:2010, EN60745-2-5:2010

Deze producten voldoen tevens aan richtlijn 2006/42/EG, 2014/30/EU en 2011/65/EU.

Neem voor meer informatie contact op met Stanley Fat Max op het volgende adres of raadpleeg de achterzijde van de handleiding.

De ondergetekende is verantwoordelijk voor de samenstelling van het technische bestand en legt deze verklaring af namens Stanley Fat Max.

R. Laverick
Engineering Director
Stanley Fat Max Europe, 210 Bath Road, Slough,
Berkshire, SL1 3YD
Verenigd Koninkrijk
07-02-2018

Garantie

Stanley Europe heeft vertrouwen in zijn producten en biedt consumenten een garantie van 12 maanden vanaf de datum van aankoop. Deze garantie vormt een aanvulling op uw wettelijke rechten en beperken deze niet. De garantie is geldig op het grondgebied van de Lidstaten van de Europese Unie en de Europese Vrijhandelszone.

Voor een garantie-aanspraak moet uw aanspraak in overeenstemming zijn met de Voorwaarden en Condities van Stanley Europa en moet u een bewijs van aankoop overleggen aan de verkoper of aan een geautoriseerde reparatiemonteur.

Voorwaarden en condities van de 1-jarige garantie van Stanley Europa en het adres van de vestiging van het geautoriseerde reparatiecentrum bij u in de buurt, kunt u vinden op internet op www.2helpU.com, of door contact op te nemen met het Stanley Fat Max-kantoor ter plaatse, op het adres dat in deze handleiding wordt vermeld.

Bezoek onze website www.stanley.eu/3, waar u uw nieuwe Black & Decker-product kunt registreren en informatie kunt vinden over nieuwe producten en speciale aanbiedingen.

Uso previsto

La sierra circular Fat Max KFFMES301 de Stanley ha sido diseñada para serrar madera y productos de madera. Esta herramienta ha sido concebida para usuarios profesionales y para usuarios no profesionales privados.

Instrucciones de seguridad

Advertencias de seguridad generales para herramientas eléctricas



Advertencia. Lea todas las advertencias de seguridad y todas las instrucciones. En caso de no atenerse a las siguientes advertencias e instrucciones de seguridad, podría producirse una descarga eléctrica, incendio o lesión grave.

Guarde todas las advertencias e instrucciones para futuras consultas. El término "herramienta eléctrica" empleado en las advertencias a continuación hace referencia a la herramienta eléctrica con alimentación de red (con cable) o alimentada por batería (sin cable).

1. Seguridad del área de trabajo

- a. **Mantenga limpia y bien iluminada el área de trabajo.** Las áreas en desorden u oscuras pueden provocar accidentes.
- b. **No utilice herramientas eléctricas en entornos con peligro de explosión, como aquellos en los que haya líquidos, gases o material en polvo inflamables.** Las herramientas eléctricas originan chispas que pueden inflamar el polvo o los gases.
- c. **Mantenga alejados a los niños y a otras personas del área de trabajo al emplear la herramienta eléctrica.** Las distracciones pueden ocasionar que pierda el control.

2. Seguridad eléctrica

- a. **El enchufe de la herramienta eléctrica debe corresponder a la toma de corriente utilizada. No modifique nunca el enchufe de ninguna forma. No utilice ningún enchufe adaptador con las herramientas eléctricas conectadas a tierra.** Los enchufes no modificados y las tomas de corriente correspondientes reducirán el riesgo de descarga eléctrica.
- b. **Evite que su cuerpo toque partes conectadas a tierra como tuberías, radiadores, cocinas y refrigeradores.** Existe un mayor riesgo de descarga eléctrica si su propio cuerpo está conectado a tierra.
- c. **No exponga las herramientas eléctricas a la lluvia y evite que penetren líquidos en su interior.** Si entra agua a una herramienta eléctrica aumentará el riesgo de descarga eléctrica.

- d. **Cuide el cable de alimentación. No use nunca el cable para transportar, tirar de la herramienta eléctrica o desenchufarla. Mantenga el cable alejado del calor, aceite, bordes afilados y piezas en movimiento.** Los cables dañados o enredados aumentan el riesgo de descarga eléctrica.
- e. **Al trabajar con la herramienta eléctrica en la intemperie utilice solamente cables de prolongación homologados para su uso en exteriores.** La utilización de un cable adecuado para el uso en exteriores reduce el riesgo de descarga eléctrica.
- f. **Si la utilización de una herramienta eléctrica en un lugar húmedo es inevitable, utilice una fuente protegida con un dispositivo de corriente residual (RCD).** El uso de un dispositivo de corriente residual reduce el riesgo de descarga eléctrica.

3. Seguridad personal

- a. **Esté atento a lo que hace y emplee la herramienta eléctrica con prudencia. No maneje una herramienta eléctrica cuando esté cansado o bajo los efectos de drogas, medicamentos o alcohol.** Un momento de falta de atención cuando se manejan las herramientas eléctricas puede ocasionar lesiones personales graves.
- b. **Utilice un equipo de protección personal. Utilice siempre protección ocular.** El uso del equipo protector como mascarillas antipolvo, calzado antideslizante, casco o protección auditiva para condiciones apropiadas reducirá las lesiones personales.
- c. **Evite que la herramienta se ponga en marcha accidentalmente. Asegúrese de que el interruptor se encuentre en la posición de apagado antes de conectar la herramienta a la fuente de alimentación o a la batería, o de coger o transportar la herramienta.** Transportar herramientas eléctricas con el dedo puesto en el interruptor o herramientas eléctricas activadoras que tengan el interruptor encendido puede provocar accidentes.
- d. **Retire las herramientas de ajuste o llaves fijas antes de conectar la herramienta eléctrica.** Dejar una llave inglesa u otra llave puesta en una pieza en movimiento de la herramienta eléctrica puede ocasionar lesiones personales.
- e. **Sea precavido. Mantenga un equilibrio adecuado y la estabilidad constantemente.** Esto permite un mejor control de la herramienta eléctrica en situaciones inesperadas.
- f. **Lleve puesta una vestimenta de trabajo adecuada. No se ponga ropa suelta o joyas. Mantenga el cabello, la ropa y los guantes alejados de las piezas en movimiento.** La ropa suelta, las joyas y el pelo largo pueden quedar atrapados en las piezas en movimiento.

- g. **Siempre que sea posible utilizar unos equipos de aspiración o captación de polvo, asegúrese de que estén montados y se utilicen correctamente.** El uso de equipo de recogida de polvo puede reducir los riesgos relacionados con el polvo.

4. Uso y cuidado de herramientas eléctricas

- a. **No sobrecargue la herramienta eléctrica. Use la herramienta eléctrica correcta para su trabajo.** La herramienta eléctrica correcta funcionará mejor y con mayor seguridad si se utiliza de acuerdo con sus características técnicas.
- b. **No utilice herramientas eléctricas con un interruptor defectuoso.** Toda herramienta eléctrica que no pueda controlarse con el interruptor es peligrosa y debe ser reparada.
- c. **Desconecte el enchufe de la herramienta eléctrica de la fuente de alimentación y la batería antes de realizar cualquier ajuste, cambiar accesorios o guardar la herramienta.** Dichas medidas de seguridad preventivas reducen el riesgo de poner en marcha accidentalmente la herramienta eléctrica.
- d. **Guarde las herramientas eléctricas fuera del alcance de los niños y de las personas que no estén familiarizadas con su uso.** Las herramientas eléctricas son peligrosas en manos de personas no capacitadas.
- e. **Realice el mantenimiento de sus herramientas eléctricas. Controle si funcionan correctamente, sin atascarse, las partes móviles de la herramienta eléctrica, y si existen partes rotas o deterioradas que pudieran afectar al funcionamiento de la herramienta. Si la herramienta eléctrica está dañada, llévela para que sea reparada antes de utilizarla.** Se ocasionan muchos accidentes por el mal mantenimiento de las herramientas eléctricas.
- f. **Mantenga las herramientas de corte limpias y afiladas.** Hay menos probabilidad de que las herramientas de cortar con bordes afilados se bloqueen, y son más fáciles de controlar.
- g. **Utilice la herramienta eléctrica, los accesorios, los útiles de la herramienta, etc. de acuerdo con estas instrucciones, y tenga en cuenta las condiciones de trabajo y la tarea que se va a realizar.** El uso de la herramienta eléctrica para operaciones que no sean las previstas puede ocasionar una situación peligrosa.

5. Reparaciones

- a. **Esta herramienta eléctrica puede ser reparada solo por personal técnico autorizado que emplee exclusivamente piezas de repuesto originales.** Así se asegurará que se mantenga la seguridad de la herramienta eléctrica.

Advertencias de seguridad adicionales para herramientas eléctricas



Advertencia. Instrucciones de seguridad para todas las sierras

Procedimientos de corte

- a. **Mantenga las manos alejadas de la zona de corte y de la cuchilla. Mantenga una de las manos en el mango auxiliar o en la carcasa del motor.** Si mantiene las dos manos sobre la sierra, evitará cortarse con la hoja.
- b. **No toque desde debajo de la pieza de trabajo.** El protector no podrá protegerlo del disco por debajo de la pieza de trabajo.
- c. **Ajuste la profundidad de corte al grosor de la pieza de trabajo.** Deberá verse menos de un diente completo del disco por debajo de la pieza de trabajo.
- d. **Nunca sostenga la pieza que está cortando en sus manos ni sobre una pierna.** Asegure la pieza de trabajo en una plataforma estable. Es importante apoyar el trabajo adecuadamente para reducir al mínimo la exposición corporal, el cimbreo de la hoja o la pérdida de control.
- e. **Sujete la herramienta eléctrica únicamente por la superficie protegida cuando realice una operación en la que la herramienta de corte pueda entrar en contacto con cableado oculto o con su propio cable.** El contacto con un cable conectado también electrificará las partes metálicas de la herramienta eléctrica y podría provocar una descarga eléctrica al usuario.
- f. **Cuando corte en dirección de la veta, utilice siempre una guía de corte u otra guía de bordes rectos.** De esta manera, mejorará la precisión del corte y reducirá la posibilidad de que el disco se bloquee.
- g. **Utilice siempre hojas con la forma (diamante frente a redonda) y el tamaño de agujeros del eje correctos.** Las hojas que no coincidan con los elementos de montaje de la sierra funcionarán de forma excéntrica, lo que causará una pérdida de control.
- h. **No utilice nunca arandelas o pernos de hoja dañados o incorrectos.** El perno y las arandelas de la hoja se han diseñado específicamente para que esta hoja de forma tenga un funcionamiento seguro y un rendimiento óptimo.

Instrucciones de seguridad adicionales para todas las sierras

Causas del retroceso y advertencias relacionadas

- ◆ Una inversión de giro o rebote es una reacción repentina provocada por una hoja de sierra comprimida, apesada o mal alineada, que hace que una sierra se levante de forma incontrolada y se aleje de la pieza de trabajo hacia el usuario.

- ◆ Cuando la hoja está comprimida o apesada ceñidamente por la entalladura al cerrarse, se atasca y la reacción del motor empuja la unidad rápidamente hacia atrás en dirección al operario.
- ◆ Si la hoja se retuerce o está mal alineada en el corte, los dientes del borde posterior de la hoja pueden clavarse en la zona superior de la madera, lo que hará que la hoja remonte la entalladura y salte hacia atrás en dirección al usuario.

El rebote es el resultado del mal uso de la sierra o de procedimientos o condiciones de operación incorrectos y puede ser evitado si se toman las precauciones debidas, enumeradas a continuación.

- a. **Mantenga asida firmemente la sierra con ambas manos y ponga los brazos de tal manera que puedan resistir la fuerza de un retroceso. Coloque el cuerpo a ambos lados de la hoja, pero nunca en línea con ella.** La inversión de giro puede provocar que la sierra salte hacia atrás. No obstante, el usuario puede controlar las fuerzas de inversión de giro si toma las precauciones adecuadas.
- b. **Cuando el disco se bloquee o cuando, por algún motivo, interrumpa un corte, suelte el gatillo y no mueva la sierra del material que está cortando hasta que el disco se haya detenido por completo. Nunca intente quitar la sierra del trabajo o tirar de ella hacia atrás mientras esté en movimiento, ya que de lo contrario podría producirse una inversión de giro.** Investigue y tome medidas correctivas para eliminar la causa del trabado de la hoja.
- c. **Cuando vuelva a poner en marcha la sierra sobre la pieza de trabajo, centre la sierra en la entalladura y compruebe que los dientes no estén enganchados con el material.** Si la hoja de la sierra está bloqueada, puede que se levante o retroceda al volver a arrancar la sierra.
- d. **Sujete los paneles grandes para reducir al mínimo el riesgo de que el disco se comprima e invierta el giro.** Los paneles grandes tienen tendencia a combarse por su propio peso. Es necesario colocar apoyos debajo del panel a ambos lados, cerca de la línea del corte y cerca del borde del panel.
- e. **No utilice hojas desafiladas ni dañadas.** Las hojas sin afilar o que están mal colocadas abren una muesca estrecha que produce una fricción excesiva, el bloqueo de la hoja y el retroceso de esta.
- f. **Las palancas de bloqueo del ajuste de bisel y de profundidad de la hoja deben estar bien apretadas y seguras antes de realizar el corte.** Si el ajuste del disco varía durante el proceso de corte, puede producirse un bloqueo y un retroceso.

- a. **Tenga extremo cuidado cuando corte en paredes existentes u otras zonas ciegas.** La hoja que sobresale puede cortar objetos que pueden provocar una inversión de giro.

Función de protección inferior

- a. **Compruebe que el protector de la cuchilla inferior se cierre adecuadamente antes de cada uso. No opere la sierra si el protector inferior no se mueve libremente y se cierra instantáneamente. No fije ni agarre nunca el protector inferior en la posición abierta.** Si la sierra cae accidentalmente, el protector inferior se puede doblar. Eleve el protector inferior con la empuñadura de retroceso y compruebe que se mueva libremente y no toca la cuchilla ni ninguna otra pieza, en todos los ángulos y profundidades de corte.
- b. **Compruebe el funcionamiento del muelle del protector inferior. Si el protector y el muelle no funcionan correctamente, deben repararse antes de utilizar la herramienta.** El protector inferior puede funcionar con lentitud debido a piezas dañadas, depósitos pegajosos o acumulación de suciedad.
- c. **El protector inferior puede retraerse manualmente en casos especiales como los “cortes directos” o los “cortes compuestos”.** Suba el protector inferior con la empuñadura de retroceso en cuanto la cuchilla se introduzca en el material, y el protector inferior deberá liberarse. Para las demás operaciones de la sierra, el protector inferior deberá funcionar automáticamente.
- d. **Compruebe siempre que el protector inferior cubra la hoja antes de colocar la sierra sobre un banco o en el suelo.** Una hoja deslizante y sin protección puede hacer que la sierra retroceda y corte todo lo que encuentre en su camino. Tenga en cuenta el tiempo que la hoja tarda en detenerse después de desactivar el interruptor.

Riesgos residuales

El uso de esta herramienta puede producir riesgos residuales adicionales no incluidos en las advertencias de seguridad adjuntas. Estos riesgos se pueden generar por un uso incorrecto, demasiado prolongado, etc.

El cumplimiento de las normas de seguridad correspondientes y el uso de dispositivos de seguridad no evitan ciertos riesgos residuales. Dichos riesgos incluyen:

- ◆ Lesiones producidas por el contacto con piezas móviles o giratorias.
- ◆ Lesiones causadas al cambiar piezas, hojas o accesorios.
- ◆ Lesiones causadas por el uso prolongado de una herramienta. Si utiliza una herramienta durante periodos de tiempo demasiado prolongados, asegúrese de realizar pausas con frecuencia.
- ◆ Deterioro auditivo.

- ◆ Riesgos para la salud causados por la respiración del polvo generado por el uso de la herramienta (por ejemplo, al trabajar con madera, especialmente roble, haya, tablero semiduro de fibras y cuarzo en polvo de hormigón).



Advertencia. Para reducir el riesgo de lesiones, el usuario debe leer el manual de instrucciones.

Seguridad eléctrica



Esta herramienta lleva un doble aislamiento, por lo que no requiere una toma a tierra. Compruebe siempre que el voltaje suministrado corresponda al indicado en la placa de características.

- ◆ Si se daña el cable de alimentación, debe ser sustituido por el fabricante o en un centro de asistencia técnica autorizado de Stanley Fat Max para evitar cualquier situación de riesgo.

Características

Esta herramienta incluye parte o la totalidad de estas características.

1. Interruptor de encendido/apagado
2. Botón de desbloqueo
3. Mango principal
4. Empuñadura secundaria
5. Botón de bloqueo del eje
6. Pie
7. Cuchilla de la sierra
8. Protector del disco de la sierra
9. Asa del protector
10. Salida de polvo de la sierra

Ensamblaje

Advertencia. Antes de llevar a cabo cualquiera de las siguientes operaciones, asegúrese de que la herramienta está desconectada, desenchufada y que la hoja se ha detenido.

Extracción y colocación del disco de la sierra (Fig. A)

Extracción

- ◆ Mantenga pulsado el botón de bloqueo del eje (5) y gire la hoja hasta que engrane con el bloqueo del eje.
- ◆ Con la llave de tuercas (12) suministrada, afloje y retire el tornillo (11) que retiene la hoja girándolo en sentido contrario a las agujas del reloj.
- ◆ Extraiga la arandela exterior (13).
- ◆ Extraiga la hoja de la sierra (7).

Colocación

- ◆ Coloque el disco de la sierra en la brida interior (14) y asegúrese de que la flecha del disco apunte en la misma dirección que la flecha de la herramienta.
- ◆ Coloque la arandela exterior (13) en el eje, con la parte levantada en dirección contraria a la hoja de sierra.
- ◆ Inserte el tornillo de fijación de la hoja (11) en el orificio.

Hojas de la sierra

- ◆ No utilice cuchillas de un diámetro mayor o menor del recomendado. Para conocer la capacidad de corte exacta, consulte las especificaciones técnicas. Utilice solo las hojas especificadas en este manual, que cumplen lo dispuesto en la norma EN 847-1.
- ◆ **Advertencia.** No utilice nunca discos abrasivos.

Seguridad de otras personas

- ◆ Este aparato no está destinado al uso por parte de personas (incluyendo los niños) con capacidades físicas, sensoriales o mentales reducidas, o que carezcan de experiencia o del conocimiento necesario, a menos que estén supervisadas o reciban las instrucciones relativas al uso del aparato por una persona encargada de su seguridad.
- ◆ Los niños deben vigilarse en todo momento para garantizar que el aparato no se tome como elemento de juego.

Vibración

Los valores de emisión de vibraciones declarados en el apartado de características técnicas y en la declaración de conformidad se han calculado según un método de prueba estándar proporcionado por la norma EN 60745 y podrán utilizarse para comparar una herramienta con otra. El valor de emisión de vibraciones especificado también puede utilizarse en una evaluación preliminar de la exposición.

Advertencia. El valor de emisión de vibraciones durante el funcionamiento real de la herramienta eléctrica puede diferir del valor declarado en función de cómo se utilice dicha herramienta. El nivel de las vibraciones puede aumentar por encima del nivel declarado.

Al evaluar la exposición a las vibraciones con el fin de determinar las medidas de seguridad que exige la directiva 2002/44/CE para proteger a las personas que utilizan periódicamente herramientas eléctricas en el entorno laboral, deberá tenerse en cuenta una estimación de la exposición a las vibraciones, las condiciones de uso reales y el modo de empleo de la herramienta, así como los pasos del ciclo operativo como, por ejemplo, el número de veces que la herramienta se apaga, el tiempo que está parada y el tiempo de activación.

Etiquetas en la herramienta

Los siguientes pictogramas están colocados, junto al código, en la herramienta:

- ◆ Mantenga pulsado el botón de bloqueo del eje (5).
- ◆ Con la llave de tuercas (12) suministrada, apriete fuertemente el tornillo que retiene la hoja girándolo en el sentido de las agujas del reloj.

Montaje y desmontaje de la guía paralela (Fig. B)

- ◆ La guía paralela se utiliza para serrar en línea recta paralela al borde de la pieza de trabajo.

Colocación

- ◆ Afloje la tuerca de bloqueo (16).
- ◆ Inserte la guía paralela (17) a través de los orificios (18).
- ◆ Deslice la guía paralela hasta la posición deseada.
- ◆ Apriete la tuerca de bloqueo.

Extracción

- ◆ Afloje el mando de bloqueo.
- ◆ Tire de la guía paralela para separarla de la herramienta.

Uso

Advertencia. Deje que la herramienta funcione a su ritmo. No la sobrecargue.

Esta herramienta se puede utilizar tanto con la mano derecha como con la izquierda.

Ajuste del ángulo de serrado (Fig. C)

- ◆ Utilice un cuadrado para comprobar que el ángulo entre el disco de la sierra y la base de esta sea de 90°. Si el ángulo no mide 90° ajústelo tal como le indicamos a continuación:
- ◆ Afloje la tuerca de bloqueo (19) para desbloquear la base de la sierra.
- ◆ Afloje la tuerca de bloqueo (20) del tornillo de ajuste (21).
- ◆ Apriete o afloje el tornillo de ajuste para conseguir un ángulo de 90°.
- ◆ Vuelva a apretar la tuerca de bloqueo.
- ◆ Apriete la tuerca de bloqueo para bloquear la base de la sierra en su posición.

Ajuste de la profundidad del corte (Fig. D)

La profundidad del corte debe establecerse en función del grosor de la pieza de trabajo. Debe sobrepasar el grosor en unos 2 mm.

- ◆ Afloje la tuerca de bloqueo (20) para desbloquear la base de la sierra.
- ◆ Ponga la base de la sierra (6) en la posición deseada. La profundidad del corte correspondiente se puede leer en la escala (21).
- ◆ Apriete la tuerca de bloqueo para bloquear la base de la sierra.

Ajuste del ángulo de ingletes (Fig. E)

Los ángulos de bisel de esta herramienta se pueden ajustar en valores comprendidos entre 0° y 45°.

- ◆ Afloje la tuerca de bloqueo (19) para desbloquear la base de la sierra.
- ◆ Ponga la base de la sierra (6) en la posición deseada. El ángulo en bisel correspondiente se puede leer en la escala (24).
- ◆ Apriete la tuerca de bloqueo para bloquear la base de la sierra en su posición.

Encendido y apagado

- ◆ Para encender la herramienta, coloque el botón de bloqueo (2) en posición de desbloqueo y pulse el interruptor de encendido/apagado (1).
- ◆ Para apagar la herramienta, suelte el botón de encendido/apagado.

Serrado

Sostenga siempre la herramienta con las dos manos.

- ◆ Deje que la hoja gire libremente durante unos segundos antes de empezar a cortar.
- ◆ Aplique solamente un poco de presión a la herramienta mientras realiza el corte.
- ◆ Trabaje con la base presionada contra la pieza de trabajo.

Nota: Tenga cuidado de que las puntas de las hojas no se sobrecalienten.

Uso de la guía visual (Fig. F)

La herramienta está equipada con una guía visual para cortes rectos (25).

- ◆ Ajuste la guía visual tal como se describe a continuación.
- ◆ Alinee el borde izquierdo de las guías (25) con la línea de corte (26).

Extracción de polvo

Se necesita un adaptador para conectar una aspiradora o un extractor de polvo a la herramienta.

- ◆ Inserte el adaptador de extracción de polvo en la salida de polvo de la sierra (10).
- ◆ Conecte la manguera de la aspiradora al adaptador.

Consejos por un uso óptimo

- ◆ Utilice siempre el tipo de hoja de sierra apropiada para cada tipo de material de trabajo y corte.
- ◆ Sostenga siempre la herramienta con las dos manos.
- ◆ Deje que la hoja gire libremente durante unos segundos antes de empezar a cortar.
- ◆ Aplique solamente un poco de presión a la herramienta mientras realiza el corte.
- ◆ Trabaje con la base presionada contra la pieza de trabajo.

- ◆ Dado que es inevitable que se produzca alguna astilla a lo largo de la línea de corte de la pieza de trabajo, realice el corte en la parte de la pieza en que la aparición de astillas no suponga un problema.
- ◆ Cuando la aparición de astillas deba reducirse a un mínimo, como en el caso de los laminados, ponga una pieza de contrachapado en la parte superior de la pieza de trabajo.
- ◆ Apoye los paneles grandes en una superficie, a fin de minimizar el riesgo de que la hoja quede atrapada o salga despedida hacia atrás. Los paneles grandes tienen tendencia a combarse por su propio peso.
- ◆ Es preciso poner soportes a ambos lados del panel, cerca de la línea de corte y del borde del panel que se está cortando.
- ◆ Nunca sostenga la pieza que está cortando en sus manos ni sobre una pierna.
- ◆ Fije la pieza de trabajo a una plataforma estable con la ayuda de enganches. Es importante apoyar el trabajo adecuadamente para reducir al mínimo la exposición corporal, el cimbreo de la hoja o la pérdida de control.

Los productos y las baterías que contienen materiales que se puedan recuperar o reciclar reducen la demanda de materias primas.

Recicle los productos eléctricos y las baterías de conformidad con la normativa local. Puede obtener más información en www.2helpU.com

Datos técnicos

		KFFMES301 (Tipo 1)
Voltaje de entrada	V_{Ca}	230
Potencia de entrada	W	1650
Velocidad en vacío	Min. ⁻¹	5500
Profundidad máxima de corte	mm	66
Diámetro de la cuchilla	mm	190
Diámetro del agujero	mm	16
Ancho de la punta del disco	mm	1.8
Peso	kg	3.9 (4.31 con hoja)

Nivel de presión acústica de acuerdo con la norma EN 60745:

Presión acústica (L_{pA}) 89,0 dB(A), Incertidumbre (K) 3 dB(A)

Potencia acústica (L_{WA}) 100 dB(A), Incertidumbre (K) 3 dB(A)

Valores totales de vibración (suma vectorial triaxial) de acuerdo con la directiva EN 60745:

Valor de emisión de vibraciones ($a_{h,w}$) 2,6 m/s², incertidumbre (K) 1,5 m/s² (corte de madera)

Mantenimiento

Este aparato o herramienta con o sin cable de Stanley Fat-Max ha sido diseñado para funcionar durante un largo período de tiempo con un mantenimiento mínimo. El funcionamiento satisfactorio y continuo depende del buen cuidado de la herramienta y de una limpieza frecuente.

Advertencia. Antes de realizar el mantenimiento de herramientas eléctricas con o sin cables:

- ◆ Apague y desenchufe el aparato o herramienta.
- ◆ O apague y extraiga la batería del aparato o herramienta si este cuenta con una batería independiente.
- ◆ O, en caso de batería integrada, agótelala por completo y, a continuación, apague la herramienta.
- ◆ Desenchufe el cargador antes de limpiarlo. El cargador no requiere ningún mantenimiento especial excepto la limpieza periódica.
- ◆ Limpie periódicamente las ranuras de ventilación de la herramienta, aparato o cargador con un cepillo suave o un paño seco.
- ◆ Limpie periódicamente la carcasa del motor con un paño húmedo.
No utilice limpiadores abrasivos o a base de disolventes.
- ◆ Abra regularmente el mandril y golpéelo suavemente para eliminar los restos de polvo que haya en su interior (si se encuentra colocado).

Declaración de conformidad CE

DIRECTIVA DE MÁQUINAS



KFFMES301 - Sierra circular

Stanley Europe declara que los productos descritos en la "ficha técnica" cumplen con las siguientes directrices: EN60745-1:2009+A11:2010, EN60745-2-5:2010

Estos productos también cumplen con las Directivas 2006/42/CE, 2014/30/UE y 2011/65/UE.

Si desea obtener más información, póngase en contacto con Stanley Fat Max a través de la siguiente dirección o consulte el dorso del manual.

Protección del medioambiente



Recogida selectiva. Los productos y las baterías marcadas con este símbolo no se deben eliminar con los residuos domésticos normales.

El que suscribe es responsable de la compilación del archivo técnico y realiza esta declaración en nombre de Stanley Fat Max.



R. Laverick
 Director de ingeniería
 Stanley Fat Max Europe, 210 Bath Road, Slough,
 Berkshire, SL1 3YD
 Reino Unido
 07/02/2018

Garantía

Stanley Europe confía en la calidad de sus productos y ofrece a los consumidores una garantía de 12 meses a partir de la fecha de compra. Esta garantía es adicional a sus derechos legales y no los menoscaba en modo alguno. La garantía es válida dentro de los territorios de los Estados Miembros de la Unión Europea y del Área de Libre Comercio Europea.

Para reclamar la garantía, la reclamación deberá presentar de conformidad con las condiciones de Stanley Europe y deberá adjuntar un justificante de compra al vendedor o al agente técnico autorizado.

Las condiciones de la garantía de 1 años de Stanley Europe y la ubicación de su agente técnico autorizado más cercano se pueden obtener en Internet en www.2helpU.com o poniéndose en contacto con su oficina local de Stanley Fat Max en la dirección que se indica en este manual.

Visite nuestro sitio web www.stanley.eu/3 para registrar su nuevo producto Fat Max y recibir noticias sobre nuevos productos y ofertas especiales.

Utilização pretendida

A sua serra circular Stanley Fat Max KFFMES301 foi concebida para serrar madeira e produtos de madeira. Esta ferramenta destina-se a utilização profissional bem como a utilizadores privados não profissionais.

Instruções de segurança

Avisos de segurança gerais para ferramentas eléctricas



Atenção! Leia todos os avisos de segurança e todas as instruções. O não cumprimento dos seguintes avisos e instruções pode resultar em choque eléctrico, incêndio e/ou graves lesões.

Guarde todos os avisos e instruções para futura referência. A expressão "ferramenta eléctrica" utilizada a seguir refere-se a ferramentas eléctricas com ligação à corrente eléctrica (com cabo) ou com bateria (sem fios).

1. **Segurança na área de trabalho**
 - a. **Mantenha a área de trabalho limpa e bem iluminada.**
 As áreas desorganizadas ou escuras são propensas a acidentes.
 - b. **Não trabalhe com ferramentas eléctricas em áreas com risco de explosão, nas quais se encontrem líquidos, gases ou poeiras inflamáveis.**
 As ferramentas eléctricas criam faíscas que poderão inflamar estas poeiras ou vapores.
 - c. **Mantenha crianças e outras pessoas afastadas durante a utilização da ferramenta eléctrica.** As distrações podem levar à perda do controlo da ferramenta.
2. **Segurança eléctrica**
 - a. **As fichas da ferramenta eléctrica devem caber na tomada. Nunca modifique a ficha de forma alguma. Não utilize fichas adaptadoras com ferramentas eléctricas ligadas à terra.** As fichas não modificadas e as tomadas compatíveis reduzem o risco de choque eléctrico.
 - b. **Evite que o corpo entre em contacto com superfícies ligadas à terra, como tubos, radiadores, fogões e frigoríficos.** Se o seu corpo estiver "ligado" à terra, o risco de choque eléctrico é maior.
 - c. **As ferramentas eléctricas não podem ser expostas a chuva nem humidade.** A entrada de água numa ferramenta eléctrica aumenta o risco de choque eléctrico.
 - d. **Manuseie o cabo com cuidado. Nunca o utilize para transportar, puxar ou desligar a ferramenta eléctrica. Mantenha o cabo afastado de fontes de calor, substâncias oleosas, extremidades aguçadas ou peças móveis.**

Os cabos danificados ou emaranhados aumentam o risco de choque eléctrico.

- e. **Quando trabalhar com uma ferramenta eléctrica ao ar livre, utilize um cabo de extensão apropriado para esse fim.** A utilização de um cabo adequado para uso ao ar livre reduz o risco de choque eléctrico.
 - f. **Se for inevitável trabalhar com uma ferramenta eléctrica num local húmido, utilize um dispositivo de corrente residual (RCD).** A utilização de um DCR reduz o risco de choque eléctrico.
3. **Segurança pessoal**
 - a. **Mantenha-se alerta, tenha atenção ao que está a fazer e seja cuidadoso quando trabalhar com a ferramenta eléctrica.** Não utilize uma ferramenta eléctrica quando estiver cansado ou sob o efeito de drogas, álcool ou medicamentos. Um momento de distração durante a utilização de ferramentas eléctricas poderá resultar em ferimentos graves.
 - b. **Utilize equipamento de protecção pessoal. Use sempre uma protecção ocular.** O equipamento de protecção, como, por exemplo, uma máscara contra o pó, sapatos de segurança antiderrapantes, um capacete de segurança ou uma protecção auditiva, usado nas condições apropriadas, reduz o risco de ferimentos.
 - c. **Evite arranques involuntários. Certifique-se de que o botão está desligado antes de ligar a ferramenta à corrente eléctrica e/ou à bateria, e antes de pegar ou transportar a ferramenta.** Se mantiver o dedo sobre o interruptor ao transportar ferramentas eléctricas ou se as ligar à fonte de alimentação com o interruptor ligado, poderá dar origem a acidentes.
 - d. **Retire eventuais chaves de ajuste ou chaves de fendas antes de ligar a ferramenta eléctrica.** Uma chave de fenda ou de ajuste que se encontre numa peça em rotação da ferramenta eléctrica poderá causar lesões.
 - e. **Não tente chegar a pontos fora do alcance. Mantenha sempre os pés bem apoiados e um equilíbrio apropriado.** Desta forma, será mais fácil controlar a ferramenta eléctrica em situações inesperadas.
 - f. **Use vestuário adequado. Não use roupa larga nem jóias. Mantenha o cabelo, a roupa e as luvas afastados das peças móveis.** As roupas largas, as jóias ou o cabelo comprido podem ficar presos nestas peças.
 - g. **Se for prevista a montagem de dispositivos de extracção e recolha de poeiras, assegure-se de que estão ligados e que são utilizados de forma correcta.** A utilização de dispositivos de extracção de partículas pode reduzir os riscos relacionados com as mesmas.
 4. **Utilização e manutenção da ferramenta eléctrica**
 - a. **Não sobrecarregue a ferramenta eléctrica.**

Utilize a ferramenta eléctrica correcta para o seu trabalho. A ferramenta eléctrica adequada irá efectuar o trabalho de um modo mais eficiente e seguro se for utilizada de acordo com a capacidade para a qual foi concebida.

- b. **Não utilize a ferramenta eléctrica se o interruptor não puder ser ligado nem desligado.** Qualquer ferramenta eléctrica que não possa ser controlada através do interruptor de alimentação é perigosa e tem de ser reparada.
 - c. **Desligue a ficha da tomada e/ou a bateria da ferramenta eléctrica antes de proceder a ajustes, substituir acessórios ou guardar ferramentas eléctricas.** Estas medidas de segurança preventivas reduzem o risco de ligar a ferramenta eléctrica acidentalmente.
 - d. **Mantenha as ferramentas eléctricas que não estiverem a ser utilizadas fora do alcance das crianças. Não permita que a ferramenta eléctrica seja utilizada por pessoas não familiarizadas com a mesma ou que não tenham lido estas instruções.** As ferramentas eléctricas são perigosas nas mãos de pessoas que não possuam as qualificações necessárias para as manusear.
 - e. **Proceda à manutenção das ferramentas eléctricas. Verifique se as partes móveis estão desalinhadas ou bloqueadas, se existem peças partidas ou qualquer outra situação que possa afectar o funcionamento das ferramentas eléctricas. Se a ferramenta eléctrica estiver danificada, esta não deve ser utilizada até que seja reparada.** Muitos acidentes têm como principal causa ferramentas eléctricas com uma manutenção insuficiente.
 - f. **Mantenha as ferramentas de corte afiadas e limpas.** As ferramentas de corte sujeitas a uma manutenção adequada, com arestas de corte afiadas, emperram com menos frequência e controlam-se com maior facilidade.
 - g. **Utilize a ferramenta eléctrica, acessórios e peças de ferramenta de acordo com estas instruções, considerando as condições de trabalho e a tarefa a ser executada.** A utilização da ferramenta eléctrica para fins diferentes dos previstos poderá resultar em situações perigosas.
5. **Assistência**
 - a. **A sua ferramenta eléctrica só deve ser reparada por pessoal qualificado e só devem ser colocadas peças sobressalentes originais.** Desta forma, é garantida a segurança da ferramenta eléctrica.

Avisos de segurança adicionais para ferramentas eléctricas



Atenção! Instruções de segurança para todas as serras

Procedimentos de corte

- a. **Mantenha as mãos afastadas da área de corte e da lâmina. Mantenha a outra mão na pega auxiliar ou na carcaça do motor.** Se segurar ambas as mãos com a serra, não há o risco de se cortar com a lâmina.
- b. **Não tente tocar por baixo da peça a trabalhar.** A protecção não pode protegê-lo da lâmina sob a peça.
- c. **Ajuste a profundidade de corte à espessura da peça.** Sob a peça, deverá ser visível menos de um dente completo da lâmina.
- d. **Nunca segure a peça a ser cortada com as suas mãos ou sobre a sua perna.** Fixe a peça numa plataforma estável. É importante fixar a peça a trabalhar correctamente, de modo a minimizar a exposição do corpo, bloqueio da lâmina ou perda de controlo.
- e. **Segure a ferramenta eléctrica apenas pelas áreas isoladas quando executar uma operação onde a ferramenta de corte possa entrar em contacto com cablagem oculta ou o seu próprio cabo.** O contacto com um cabo "electrificado" irá igualmente expor peças metálicas do sistema "electrificado" da ferramenta e poderá provocar um choque eléctrico ao utilizador.
- f. **Ao efectuar cortes rectilíneos, utilize sempre um batente de corte ou uma guia de régua.** Aperfeiçoará a precisão de corte e reduzirá a possibilidade de bloqueio da lâmina.
- g. **Utilize sempre lâminas com tamanho e forma correctos (diamante, por oposição a redondo) dos orifícios do mandril.** As lâminas que não correspondam ao equipamento de montagem da serra irão funcionar excéntricamente, resultando na perda de controlo.
- h. **Nunca utilize anilhas ou parafusos danificados ou incorrectos.** As anilhas e o parafuso da lâmina foram concebidos especialmente para a sua serra, para garantir um desempenho e segurança do trabalho de excelente qualidade.

Informações de segurança adicionais para todas as serras

Origem dos contra-golpes e avisos relacionados

- ◆ O efeito de recuo é uma reacção súbita a uma lâmina de serra comprimida, presa ou desalinhada, fazendo com que uma serra descontrolada se levante e se solte da peça na direcção do operador;

- ◆ se a lâmina ficar comprimida ou presa na zona de corte, a lâmina bloqueia e a reacção do motor direcciona a unidade rapidamente na direcção do utilizador;
- ◆ Se a lâmina ficar dobrada ou desalinhada na área de corte, os dentes na extremidade posterior da lâmina possam ficar presos na superfície superior da madeira, fazendo com que a lâmina se liberte da zona de corte e se direcione para o utilizador.

O efeito de coice é o resultado de uma utilização abusiva da serra e/ou de condições ou procedimentos de utilização incorrectos e pode ser evitado tomando as precauções indicadas abaixo.

- a. **Segure firmemente a serra com ambas as mãos e posicione os seus braços de forma a resistir às forças de um contra-golpe. Posicione o corpo para um dos lados da lâmina, mas não alinhado com a lâmina.** O coice pode fazer com que a serra salte para trás, mas o impacto do coice pode ser controlado pelo utilizador, caso seja tomadas precauções adequadas.
- b. **Quando a lâmina se encontrar bloqueada ou quando de uma interrupção do corte, por qualquer motivo, liberte o gatilho e segure a serra imóvel no material até que a lâmina pare completamente. Nunca tente remover a lâmina da área de corte nem puxe a serra para trás enquanto a lâmina estiver em movimento, caso contrário pode ocorrer o efeito de recuo.** Investigue e tome acções correctivas para eliminar a causa do bloqueio da lâmina.
- c. **Quando continuar a iniciar uma serra na peça, centre a lâmina da serra na zona de corte e verifique se os dentes da serra não estão em contacto com o material.** Se a lâmina da serra se encontrar bloqueada, poderá elevar-se da peça ou ocorrer um contra-golpe quando a serra for reiniciada.
- d. **Coloque painéis grandes para minimizar o risco de bloqueio e recuo da lâmina.** Painéis grandes tendem a ceder com o seu próprio peso. Devem ser colocados apoios debaixo do painel em ambos os lados, perto da linha de corte e da extremidade do painel.
- e. **Não utilize lâminas embotadas ou danificadas.** Lâminas não afiadas ou instaladas incorrectamente criam um corte estreito, provocando fricção excessiva, bloqueio da lâmina e contra-golpe.
- f. **As alavancas de profundidade e de bloqueio de ajuste do bisel devem estar apertadas e fixas antes de fazer o corte.** Se o ajuste da lâmina for alterado durante o corte, poderá provocar o respectivo bloqueio e um contra-golpe.
- a. **Tenha especial cuidado quando serrar em paredes ou noutras áreas em que não seja possível visualizar quaisquer itens ocultos dentro das mesmas.** A lâmina saliente pode cortar objectos que possam causar efeito de recuo.

Função da protecção inferior

- Verifique se o resguardo fecha bem antes de cada utilização. Não utilize a serra se o resguardo inferior não se movimentar livremente e fechar de imediato. Nunca fixe nem ate o resguardo inferior na posição aberta.** Se deixar cair a lâmina acidentalmente, o resguardo inferior pode ficar dobrado. Levante o resguardo inferior com a pega retráctil e certifique-se de que desloca livremente e não toca na lâmina nem em qualquer outra parte, em todos os ângulos e profundidades de corte.
- Verifique o funcionamento da mola da protecção inferior. Se o resguardo e a mola não funcionarem devidamente, devem ser reparados antes de utilizar a serra.** O resguardo inferior pode funcionar com alguma lentidão devido a peças danificadas, depósitos pegajosos ou acumulação de resíduos.
- A protecção inferior poderá ser retraída manualmente apenas no caso de cortes especiais como “cortes por incisão” ou “cortes compostos”.** Levante o resguardo inferior, recolhendo a pega e assim que a lâmina entrar no material, o resguardo inferior deve ser libertado. No que respeita a outras operações de serragem, o resguardo inferior deve funcionar automaticamente.
- Certifique-se sempre de que o resguardo inferior tapa a lâmina antes de colocar a serra na bancada ou no chão.**
Uma lâmina não protegida e movida pela inércia irá fazer com que a serra se mova para trás, cortando tudo o que se encontrar no caminho. Verifique o tempo que a lâmina demora a parar de rodar depois de libertar o comando.

Riscos residuais

Podem surgir riscos residuais adicionais durante a utilização da ferramenta, que poderão não constar nos avisos de segurança incluídos. Estes riscos podem resultar de má utilização, uso prolongado, etc.

Mesmo com o cumprimento dos regulamentos de segurança relevantes e a implementação de dispositivos de segurança, alguns riscos residuais não podem ser evitados. Estes incluem:

- ◆ Ferimentos causados pelo contacto com peças em rotação/movimento.
- ◆ Ferimentos causados durante a troca de peças, lâminas ou acessórios.
- ◆ Ferimentos causados pela utilização prolongada de uma ferramenta. Quando utilizar uma ferramenta durante períodos prolongados, certifique-se de que faz pausas regularmente.
- ◆ Danos auditivos.
- ◆ Problemas de saúde causados pela inalação de poeiras resultantes da utilização da ferramenta (exemplo: trabalhos em madeira, especialmente carvalho, faia e MDF.)

Lâminas de serra

- ◆ Não utilize lâminas com um diâmetro superior ou inferior ao recomendado. Consulte os dados técnicos para obter a classificação da lâmina. Utilize apenas as lâminas especificadas neste manual e em conformidade com a norma 847-1.
- ◆ **Atenção!** Nunca utilize discos abrasivos.

Segurança de terceiros

- ◆ Este aparelho não deve ser utilizado por pessoas (incluindo crianças) com capacidades físicas, sensoriais ou mentais reduzidas ou com falta de experiência e conhecimentos, a menos que sejam acompanhadas ou tenham recebido formação ou instruções sobre a utilização deste equipamento por uma pessoa responsável pela respectiva segurança.
- ◆ As crianças deverão ser vigiadas para que não mexam no aparelho.

Vibração

Os valores de emissão de vibração declarados na secção de dados técnicos e na declaração de conformidade foram medidos de acordo com o método de teste padrão fornecido pela norma EN 60745 e podem ser utilizados para comparar ferramentas. O valor de emissão de vibração declarado pode ainda ser utilizado numa avaliação preliminar de exposição. **Atenção!** O valor de emissão de vibração durante a utilização real da ferramenta eléctrica pode ser diferente do valor declarado, dependendo da forma como a ferramenta é utilizada. O nível de vibração pode aumentar acima do nível indicado. Quando avaliar a exposição da vibração para determinar as medidas de segurança exigidas pela Directiva 2002/44/CE para proteger pessoas que utilizem regularmente ferramentas eléctricas na sua actividade profissional, deve ser considerada uma estimativa de exposição de vibração, as condições reais de utilização e o modo de utilização da ferramenta, incluindo ainda todas as partes do ciclo de funcionamento, como os períodos de inactividade e espera da ferramenta, para além do tempo de funcionamento.

Etiquetas colocadas na ferramenta

Os seguintes símbolos, assim como o código de data, estão indicados na ferramenta:



Atenção! Para reduzir o risco de ferimentos, o utilizador deve ler o manual de instruções.

Segurança eléctrica



Esta ferramenta tem isolamento duplo. Por esse motivo, não precisa de ligação à terra. Verifique sempre se a tensão da tomada de electricidade corresponde à voltagem indicada na placa com os requisitos de alimentação da ferramenta.

- ◆ Se o cabo de alimentação estiver danificado, terá de ser substituído pelo fabricante ou por um centro de assistência autorizado Stanley Fat Max para evitar acidentes.

Componentes

Esta ferramenta inclui algumas ou todas as características seguintes.

1. Interruptor de ligar/desligar
2. Botão de desbloqueio
3. Pega principal
4. Cabo secundário
5. Botão de bloqueio do veio
6. Base de apoio
7. Lâmina da serra
8. Protecção da lâmina da serra
9. Pega do resguardo
10. Saída de poeiras da serra

Montagem

Atenção! Antes de tentar executar qualquer uma das operações que se seguem, certifique-se de que a ferramenta está desligada e a lâmina de serra está parada.

Remover e montar uma lâmina de serra (fig. A)

Remover

- ◆ Mantenha o botão de bloqueio do eixo (5) pressionado e rode a lâmina da serra até que o bloqueio do eixo encaixe.
- ◆ Desaperte e retire o parafuso de retenção da lâmina (11) rodando-o no sentido contrário ao dos ponteiros do relógio utilizando a chave-inglesa (12) fornecida.
- ◆ Remova a anilha exterior (13).
- ◆ Retire a lâmina da serra (7).

Montagem

- ◆ Coloque a lâmina da serra na flange interior (14), certificando-se de que a seta na lâmina se encontra na mesma direcção da seta na ferramenta.
- ◆ Coloque a anilha exterior (13) no eixo, com a peça elevada a apontar para fora da lâmina da serra.
- ◆ Introduza o parafuso de retenção da lâmina (11) no orifício.
- ◆ Mantenha pressionado o interruptor de bloqueio do eixo (5).
- ◆ Aperte firmemente o parafuso de retenção da lâmina da serra, rodando-o no sentido dos ponteiros do relógio utilizando a chave inglesa (12) fornecida.

Montagem e remoção do batente paralelo (Fig. B)

- ◆ O batente paralelo é utilizado para serrar numa linha recta paralela à extremidade da peça.

Montagem

- ◆ Afrouxe o botão de bloqueio (16).
- ◆ Introduza o batente paralelo (17) através das aberturas (18).
- ◆ Faça deslizar o batente paralelo para a posição pretendida.
- ◆ Aperte o botão de bloqueio.

Remover

- ◆ Desaperte o interruptor de bloqueio.
- ◆ Puxe o batente paralelo da ferramenta.

Utilização

Atenção! Não altere o ritmo de funcionamento da ferramenta. Não sobrecarregue.

Esta ferramenta pode ser utilizada com a mão direita ou com a mão esquerda.

Ajustar o ângulo de corte (Fig. C)

- ◆ Utilize um esquadro para verificar se o ângulo entre a lâmina da serra e a base da mesma é de 90°. Se o ângulo não for de 90°, ajuste-o da seguinte forma:
- ◆ Desaperte o interruptor de bloqueio (19) para desbloquear a base da serra.
- ◆ Desaperte a contraporca (20) no parafuso de ajuste (21).
- ◆ Aperte o parafuso de ajuste para dentro ou para fora até obter um ângulo de 90°.
- ◆ Volte a apertar a contraporca.
- ◆ Aperte o interruptor de bloqueio para bloquear a base da serra na respectiva posição.

Ajustar a profundidade de corte (Fig. D)

A profundidade de corte deverá ser definida de acordo com a espessura da peça. Deverá ser superior à espessura aproximadamente 2 mm.

- ◆ Desaperte o interruptor de bloqueio (20) para desbloquear a base da serra.
- ◆ Mova a base da serra (6) para a posição pretendida. A profundidade de corte correspondente pode ser lida a partir da escala (21).
- ◆ Aperte o interruptor para bloquear a base da serra na respectiva posição.

Ajuste o ângulo do bisel (Fig. E)

Os ângulos do bisel desta ferramenta podem ser definidos entre 0° e 45°.

- ◆ Desaperte o interruptor de bloqueio (19) para desbloquear a base da serra.
- ◆ Mova a base da serra (6) para a posição pretendida. O ângulo do bisel correspondente pode ser lido a partir da escala (24).
- ◆ Aperte o interruptor de bloqueio para bloquear a base da serra na respectiva posição.

Ligar e desligar

- ◆ Para ligar a ferramenta, mova o botão de bloqueio (2) para a posição de desbloqueio e pressione o interruptor para ligar/desligar (1).
- ◆ Para desligar a ferramenta, solte o interruptor ligar/desligar.

Serrar

Segure sempre a ferramenta com ambas as mãos.

- ◆ Deixe a lâmina a trabalhar livremente durante alguns segundos antes de começar a cortar.
- ◆ Exerça um ligeira pressão na ferramenta enquanto corta.
- ◆ Trabalhe com o base pressionada contra a peça.

Nota: Tenha cuidado para não permitir que as pontas da lâmina sobreaqueçam.

Utilizar a guia visual (Fig. F)

A ferramenta está equipada com uma guia visual para o corte recto (25).

- ◆ Ajuste a guia visual, conforme descrito abaixo.
- ◆ Alinhe a extremidade esquerda das guias (25) com a linha de corte (26).

Extracção de serradura

É necessário um adaptador para ligar um aspirador ou extractor de poeiras à ferramenta.

- ◆ Introduza o adaptador de extracção de poeiras na saída de poeiras da serra (10).
- ◆ Ligue o tubo do aspirador ao adaptador.

Sugestões para uma utilização óptima

- ◆ Utilize sempre o tipo apropriado de lâmina de serra para o material e tipo de corte.
- ◆ Segure sempre a ferramenta com ambas as mãos.
- ◆ Deixe a lâmina a trabalhar livremente durante alguns segundos antes de começar a cortar.
- ◆ Exerça um ligeira pressão na ferramenta enquanto corta.
- ◆ Trabalhe com o base pressionada contra a peça.
- ◆ Uma vez que não é possível evitar que a madeira lasque ao longo da linha de corte na parte superior da peça, corte apenas no lado em que tal é aceitável.
- ◆ Quando pretender minimizar a criação de lascas, por exemplo, para serrar laminados, fixe um fragmento de contraplacado na parte superior da peça.
- ◆ Apoie painéis grandes para minimizar o risco de prisão da lâmina e de contra-golpe. Painéis grandes tendem a ceder com o seu próprio peso.
- ◆ Os apoios devem ser colocados sob ambos os lados do painel, junto à linha de corte e à extremidade do painel a cortar.
- ◆ Nunca segure a peça a ser cortada com as suas mãos ou sobre a sua perna.

- ◆ Fixe a peça numa plataforma estável com grampos. É importante fixar a peça a trabalhar correctamente, de modo a minimizar a exposição do corpo, bloqueio da lâmina ou perda de controlo.

Manutenção

O seu aparelho/ferramenta Stanley FatMax com/sem fios foi concebido para funcionar durante um longo período de tempo com uma manutenção mínima. Uma utilização continuamente satisfatória depende de uma manutenção apropriada da ferramenta e de uma limpeza regular.

Atenção! Antes de proceder a qualquer acção de manutenção em ferramentas eléctricas com cabo/sem fios:

- ◆ Desligue o aparelho/ferramenta e retire a respectiva ficha da tomada.
- ◆ Ou desligue e remova a pilha do aparelho/ferramenta caso o aparelho/ferramenta tenha uma bateria individual.
- ◆ Ou deixe a bateria descarregar completamente se estiver incorporada e, em seguida, desligue-a.
- ◆ Desligue o carregador antes de o limpar.
O seu carregador não necessita de manutenção para além da limpeza regular.
- ◆ Limpe regularmente as aberturas de ventilação do aparelho/ferramenta/carregador com uma escova macia ou um pano seco.
- ◆ Limpe regularmente o compartimento do motor com um pano húmido.
Não utilize produtos de limpeza abrasivos ou à base de solventes.
- ◆ Abra o mandril regularmente e bata no mesmo para remover qualquer vestígio de pó do seu interior (quando colocado).

Protecção do ambiente

Faça uma recolha de lixo selectiva. Os produtos e as baterias assinaladas com este símbolo não devem ser eliminados juntamente com o lixo doméstico normal.

Os produtos e baterias contêm materiais que podem ser recuperados ou reciclados, reduzindo a necessidade de matérias-primas.

Recicle os produtos eléctricos e as baterias de acordo com as disposições locais. Estão disponíveis mais informações em www.2helpU.com

Dados técnicos

KFFMES301 (Tipo 1)		
Tensão de entrada	V_{Ca}	230
Alimentação	W	1650
Velocidade sem carga	Min. ⁻¹	5500
Profundidade máx. de corte	mm	66
Diâmetro da lâmina	mm	190
Diâmetro interno da lâmina	mm	16
Largura da ponta da lâmina	mm	1,8
Peso	kg	3,9 (4,31 com lâmina)

Nível de pressão acústica de acordo com a norma EN 60745:		
Pressão acústica (L_{pA})	89,0 dB(A), variabilidade (K) 3 dB(A)	
Potência acústica (L_{WA})	100 dB(A), incerteza (K) 3 dB(A)	

Valores totais de vibração (soma vectores triax) de acordo com a EN 60745:		
Valor de emissão de vibrações (a_{rw})	2,6 m/s ² , incerteza (K) 1,5 m/s ² (corte de madeira)	

Declaração de conformidade CE
DIRECTIVA "MÁQUINAS"



KFFMES301 - Serra circular

A Stanley Europe declara que os produtos descritos em "dados técnicos" estão em conformidade com as seguintes normas:

EN60745-1:2009+A11:2010, EN60745-2-5:2010

Estes produtos estão também em conformidade com a Directiva 2006/42/CE, 2014/30/UE e 2011/65/UE.

Para obter mais informações, contacte a Stanley Fat Max na morada indicada ou consulte o verso do manual.

O abaixo assinado é responsável pela compilação do ficheiro técnico e faz esta declaração em nome da Stanley Fat Max.

R. Laverick
Director de Engenharia
Stanley Fat Max Europe, 210 Bath Road, Slough,
Berkshire, SL1 3YD
Reino Unido
07/02/2018

Garantia

A Stanley Europe confia na qualidade dos seus produtos e oferece aos clientes uma garantia de 12 meses a partir da data de compra. Esta garantia é um complemento dos seus direitos estabelecidos por lei, não os prejudicando de forma alguma. A garantia é válida nos Estados-membros da União Europeia e nos países-membros da Zona Europeia de Comércio Livre. Para accionar a garantia, esta deve estar em conformidade com os termos e condições da Stanley Europe e terá de apresentar comprovativos de compra ao vendedor ou a um agente de reparação autorizado.

Os termos e condições da garantia de 1 ano da Stanley Europe e a localização do agente de reparação autorizado mais próximo podem ser obtidos na Internet em www.2helpU.com ou contactando uma filial da Stanley Fat Max, cuja morada está indicada neste manual.

Visite o nosso Website www.stanley.eu/3 para registar o novo produto Stanley Fat Max e manter-se actualizado relativamente a novos produtos e ofertas especiais.

(Översättning av originalanvisningarna)

Avsedd användning

Din Stanley Fat Max KFFMES301 cirkelsåg har designats för sågning av trä och träprodukter. Verktyget är avsett för yrkesanvändare och privatkonsumenter.

Säkerhetsinstruktioner

Allmänna säkerhetsanvisningar för elverktyg



Varning! Läs alla säkerhetsvarningar och instruktioner. Fel som uppstår till följd av att varningarna och instruktionerna som listas nedan inte följts kan orsaka elstötar, brand och/eller allvarliga kroppsskador.

Spara alla säkerhetsföreskrifter och anvisningar för framtida bruk. Begreppet "Elverktyg" i alla varningar som listas nedan avser nätdrivna elverktyg (med nätsladd) och batteridrivna elverktyg (sladdlösa).

1. Säkerhet på arbetsplatsen

- a. **Se till att arbetsplatsen är obelamrad och väl upplyst.** Belamrade och mörka områden inbjuder till olyckor.
- b. **Använd inte elverktyget i explosionsfarlig omgivning, t.ex. i närheten av brännbara vätskor, gaser eller damm.** Elverktyg skapar gnistor som kan antända damm eller ångor.

- c. **Håll barn och andra personer på avstånd när ett elverktyg används.** Distractioner kan göra att du förlorar kontrollen.
2. **Elsäkerhet**
- a. **Elverktygets stickkontakt måste passa i eluttaget. Modifiera aldrig kontakten på något sätt. Använd inga adapterkontakter tillsammans med jordade elverktyg.** Icke modifierade kontakter och passande uttag minskar risken för elektrisk stöt.
- b. **Undvik kroppskontakt med jordade ytor såsom rör, radiatorer, spis och kylskåp.** Det finns en ökad risk för elektrisk stöt om din kropp är jordansluten eller jordad.
- c. **Skydda elverktyget mot regn och väta.** Vatten som kommer in i ett elverktyg ökar risken för elektrisk stöt.
- d. **Misshandla inte sladden. Använd aldrig sladden för att bära, dra eller koppla bort elverktyget från uttaget. Håll sladden borta från värme, olja, skarpa kanter eller rörliga delar.** Skadade eller tilltrasslade sladdar ökar risken för elektrisk stöt.
- e. **Använd endast förlängningssladdar som är godkända för utomhusbruk när du arbetar med elverktyg utomhus.** Användning av en sladd som är lämplig för utomhusbruk minskar risken för elektriska stötar.
- f. **Om du måste använda ett elverktyg på en fuktig plats ska du använda jordfelsbrytare.** Användning av jordfelsbrytare minskar risken för elektriska stötar.
3. **Personlig säkerhet**
- a. **Var uppmärksam, se på vad du gör och använd elverktyget med förnuft. Använd inte ett elverktyg när du är trött eller påverkad av droger, alkohol eller mediciner.** Ett ögonblicks ouppmärksamhet när du arbetar med elektriska verktyg kan leda till allvarliga personskador.
- b. **Använd personlig skyddsutrustning. Använd alltid skyddsglasögon.** Skyddsutrustning såsom dammfilterskydd, halksäkra säkerhetsskor, skyddshjälm eller hörselskydd som används för lämpliga förhållanden minskar personskador.
- c. **Förhindra oavsiktlig start. Kontrollera att strömbrytaren står i avstängt läge innan du ansluter verktyget till elnätet eller sätter i batteriet, samt innan du tar upp eller bär verktyget.** Att bära elektriska verktyg med fingret på strömbrytaren eller att koppla strömmen till elektriska verktyg när strömbrytaren är på leder till olyckor.
- d. **Ta bort alla inställningsnycklar innan elverktyget slås på.** Ett verktyg eller en nyckel som har lämnats kvar på en roterande del av det elektriska verktyget kan orsaka kropps-skador.
- e. **Sträck dig inte för långt. Ha ordentligt fotfäste och balans hela tiden.** Detta möjliggör bättre kontroll av elverktyget i oväntade situationer.
- f. **Bär lämpliga kläder. Bär inte lösa kläder eller smycken. Håll hår, beklädnad och handskar borta från delar i rörelse.** Lösa kläder, smycken eller långt hår kan fastna i rörliga delar.
- g. **Om elverktyget har dammuppsugnings- och uppsamlingsutrustning kontrollerar du att den är monterad och används på korrekt sätt. Användning av dammuppsamling kan minska dammrelaterade risker.**
4. **Användning och skötsel av elverktyg**
- a. **Överbelasta inte elverktyget. Använd rätt elverktyg för ditt arbete.** Det korrekta elverktyget gör arbetet bättre och säkrare vid den hastighet för vilket det konstruerades.
- b. **Använd inte elverktyget om det inte kan startas och stängas av med strömbrytaren.** Ett elverktyg som inte kan kontrolleras med strömbrytaren är farligt och måste repareras.
- c. **Dra stickproppen ur vägguttaget och/eller ta ut batteriet ur elverktyget innan inställningar görs, tillbehörsdelar byts ut eller elverktyget ställs undan.** Sådana förebyggande säkerhetsåtgärder minskar risken att oavsiktligt starta elverktyget.
- d. **Förvara elverktyg utom räckhåll för barn och låt inte personer som inte är vana vid elverktyget eller som inte läst denna bruksanvisning använda det.** Elverktyg är farliga i händerna på ovana användare.
- e. **Underhåll elverktyg. Kontrollera att rörliga komponenter fungerar felfritt och inte kärvar, att komponenter inte gått sönder eller skadats och inget annat föreligger som kan påverka elverktygets funktion. Om det är skadat, se till att elverktyget blir reparerat före användning.** Många olyckor orsakas av dåligt underhållna elektriska verktyg.
- f. **Håll kapverktyg skarpa och rena.** Korrekt underhållna kapverktyg med vassa skär är mindre troliga att de fastnar och är lättare att kontrollera.
- g. **Använd elverktyg, tillbehör, bits m.m. enligt dessa anvisningar och beakta arbetsvillkoren och det arbete som ska utföras.** Användning av elverktyget för andra uppgifter än vad som avsetts kan resultera i farliga situationer.
5. **Service**
- a. **Låt en kvalificerad reparatör som bara använder originaldelar utföra service på elverktyget.** Detta säkerställer att elverktygets säkerhet bibehålls.
- Ytterligare säkerhetsanvisningar för elverktyg**
-  **Varning!** Säkerhetsinstruktioner för alla sågar

Sågningsprocedurer

- Håll händerna borta från sågområdet och klingan. Håll andra handen på stödhandtaget eller motorhuset.** Om båda händerna hålls på sågen kan de inte skadas av sågklingan.
- Sträck dig inte under arbetsstycket.** Skyddet kan inte skydda handen mot sågbladet under arbetsstycket.
- Ställ in sågdjupet efter arbetsstyckets tjocklek.** Den synliga delen av en sågbladstand under arbetsstycket måste vara mindre än en hel tand.
- Håll aldrig arbetsstycket som skall sågas i händerna eller över benen.** Fäst arbetsstycket på ett stabilt underlag. Det är viktigt att arbetsstycket hålls fast ordentligt för att undvika kontakt med kroppen, inklämning av sågskivan eller förlorad kontroll över sågen.
- Håll alltid verktyget i de isolerade greppytorna vid arbete där det riskerar att komma i kontakt med dolda elledningar eller med sin egen nätsladd.** Vid kontakt med en strömförande ledning kommer verktygets metalldelar också att bli strömförande och du kan få en elektrisk stöt.
- Använd alltid ett anhåll eller ett skydd med raka kanter när du klyvsågar.** Detta möjliggör mer noggrann sågning och minskar risken för att sågbladet fastnar.
- Använd alltid sågklingor med rätt storlek och lämpligt infästningshål (t.ex. i stjärnform eller rund).** Skivor som inte passar till sågens monteringskomponenter roterar excentriskt och leder till att kontrollen förloras över sågen.
- Använd aldrig skadade eller felaktiga klingbrickor eller bultar.** Skivbrickorna och bultarna har konstruerats speciellt för denna såg för optimal effekt och driftsäkerhet.

Ytterligare säkerhetsinstruktioner för alla sågar

Rekylorsaker och tillhörande varningar

- rekyl är en plötslig reaktion hos en sågklinga som hakat upp sig, klämts fast eller är fel inriktad och som leder till att sågen okontrollerat lyfts upp ur arbetsstycket och kastas mot användaren;
 - om sågklingan hakar upp sig eller kläms fast i sågspåret som går ihop, kommer klingan att blockera varefter motorkraften kastar sågen i riktning mot användaren;
 - om klingan blir vridet eller felriktat i sågskåran kan tänderna i bakkanten av klingan gräva sig in i övre ytan av trä och göra att klingan klättrar ut ur sågskåran och hoppar bakåt mot operatören.
- Rekyl är resultatet av felanvändning av verktyget och/eller felaktiga arbetsprocedurer eller arbetsförhållanden, och kan undvikas genom att vidta ordentliga försiktighetsåtgärder så som beskrivs här nedan.

- Håll sågen ordentligt med båda händerna och placera armarna så att du håller emot de krafter som kastar sågen bakåt. Placera kroppen på någon sida av klingan men inte i linje med klingan.** Vid en rekyl kan cirkelsågen hoppa bakåt men användaren kan behärska rekylkraften om lämpliga åtgärder vidtagits.
- Om klingan fastnar, eller om sågningen upphör av någon anledning, ska du släppa strömbrytaren och hålla sågen still i arbetsstycket tills bladet helt slutar att snurra. Försök aldrig att ta bort sågen från arbetsstycket eller att dra sågen bakåt medan klingan är i rörelse eftersom det kan bli en rekyl.** Lokalisera orsaken för inklämd sågklinga och avhjälj felet.
- Vill du återstarta en såg som sitter i arbetsstycket centrera sågklingan i sågspåret och kontrollera att sågklingans tänder inte hakat upp sig i arbetsstycket.** Om klingan fastnar kan den klättra uppåt eller kastas ut från arbetsstycket när sågen startas igen.
- Stöd stora arbetsstycken för att minimera risken för kärvning och rekylor.** Stora arbetsstycken böjs ofta av sin egen vikt. Skivorna måste därför stödas på båda sidorna både i närheten av sågspåret och vid skivans kanter.
- Använd inte slöa eller skadade klingor.** Slöa eller felaktigt monterade klingor genererar smala sågspår, vilket leder till att friktionen ökar, bladet fastnar eller att sågen kastas bakåt.
- Före sågning påbörjas dra stadigt fast inställningsanordningarna för sågdjup och snittvinkel.** Om klinginställningarna ändras medan du sågar kan klingan fastna eller sågen kastas bakåt.
- Var extra försiktig vid sågning in i befintliga väggar eller andra dolda områden.** Den inträngande sågklingan kan såga föremål som kan orsaka rekylor.

Undre skyddets funktion

- Kontrollera att det nedre skyddet stänger ordentligt innan varje användning. Använd inte sågen om det undre klingskyddet inte är fritt rörligt och inte stängs omedelbart. Kläm aldrig fast eller bind det undre klingskyddet i öppet läge.** Om sågen av misstag tappas kan det undre klingskyddet deformeras. Öppna klingskyddet med återdragningsspaken och kontrollera att det är fritt rörligt och att det vid alla snittvinklar och snittdjup varken berör sågklingan eller andra delar.
- Kontrollera funktionen hos nedre skyddets fjäder. Om skyddet och fjädern inte fungerar rätt, måste de repareras före användning.** Skadade delar, klibbiga avlagringar eller anhopning av spån kan hindra det undre klingskyddets rörelse.
- Det undre skyddet får endast öppnas manuellt vid särskilda typer av sågning, t.ex. "instickssägning" och "kombinerad sågning".** Öppna det undre

klingskyddet med återdragningsspaken och släpp den så fort sågklingan gått in i arbetsstycket. Vid all annan sågning måste det undre klingskyddet fungera automatiskt.

- d. Se till att sågklingan skyddas av det undre klingskyddet när sågen läggs bort på arbetsbänk eller golv.** Om sågen är avstängd och klingan fortfarande snurrar och är oskyddad kommer sågen att vandra bakåt och skära in i allt som kommer i dess väg. Var medveten om den tid det tar för klingan att stanna efter att avtryckaren släppts.

Övriga risker

Ytterligare risker som inte finns med i de bifogade säkerhetsanvisningarna kan uppstå när verktyget används. Dessa risker kan uppstå vid felaktig eller långvarig användning, etc. Även om alla relevanta säkerhetsanvisningar följs och säkerhetsanordningar används kan vissa ytterligare risker inte undvikas. Dessa omfattar:

- ◆ Skador orsakade av att roterande/rörliga delar vidrörs.
- ◆ Skador som uppstår vid byte av delar, klinga eller tillbehör.
- ◆ Skador som orsakas av långvarig användning av ett verktyg. Se till att regelbundet ta vilopauser när du använder ett verktyg under en längre period.
- ◆ Hörselnedsättning.
- ◆ Hälsorisker orsakade av inandning av damm när redskapet används (exempel: arbete med trä, särskilt ek, bok och MDF.)

Sågklingor

- ◆ Använd inte klingor med större eller mindre diameter än rekommenderat. För korrekt klingklassificering se tekniska data. Använd endast klingor som specificeras i denna manual som uppfyller EN 847-1.
- ◆ **Varning!** Använd aldrig slipskivor.

Säkerhet för andra

- ◆ Denna apparat är inte avsedd att användas av personer (inklusive barn) med reducerad fysisk, sensorisk eller mental förmåga eller med begränsad erfarenhet eller kunskap såvida inte de är under uppsikt eller fått instruktioner om användning av apparaten av en person som är ansvarig för deras säkerhet.
- ◆ Barn ska hållas under uppsikt så att de inte leker med verktyget.

Vibrationer

De vibrationsvärden som anges i avsnitten Tekniska data och deklARATIONEN om överensstämmelse har uppmätts i enlighet med en standardtestmetod föreskriven i EN 60745 och kan användas för jämförelse med andra verktyg. Det angivna vibrationsvärdet kan även användas för en preliminär bedömning av exponeringen.

Varning! Vibrationsvärdet under faktisk användning av elverktyget kan skilja sig från det uppgivna värdet beroende på hur verktyget används. Vibrationsnivån kan överstiga den uppgivna nivån.

Vid uppskattningar av exponering för vibrationer i syfte att bedöma vilka säkerhetsåtgärder som är nödvändiga enligt 2002/44/EG för att skydda personer som regelbundet använder elverktyg i arbetet ska man utgå från de faktiska omständigheter under vilka elverktyget används och sättet på vilket det används.

Bedömningen ska även ta hänsyn till alla moment i arbetscykeln, t.ex. när verktyget är avstängt och när det går på tomgång såväl som när det faktiskt används.

Etiketter på verktyget

Följande symboler tillsammans med datumkoden visas på verktyget:



Varning! Läs bruksanvisningen före användning för att minska risken för personskador.

Elsäkerhet



Eftersom detta verktyg är dubbelisolerat behövs ingen jordledare. Kontrollera alltid att spänningen på nätet motsvarar den spänning som finns angiven på märkplåten.

- ◆ Om nätsladden är skadad måste den bytas ut av tillverkaren eller en auktoriserad Stanley Fat Max servicecenter för att undvika faror.

Funktioner

Det här verktyget har några eller samtliga av följande funktioner.

1. Strömbrytare
2. Låsknapp
3. Huvudhandtag
4. Extrahandtag
5. Spindellåsknapp
6. Sågfot
7. Sågklinga
8. Klingskydd
9. Skyddshandtag
10. Spånutkast

Montering

Varning! Innan du gör något av nedanstående ska du kontrollera att verktyget är avstängt, att sågbladet är orörligt och att sladden inte sitter i.

Montera och ta bort en sågklinga (bild A)

Demontering

- ◆ Håll spindellåsknappen (5) intryckt och rotera bladet tills spindellåset aktiveras.
- ◆ Lossa på och ta bort skruven som håller fast sågklingan (11) genom att vrida den moturs med hjälp av skruvnyckeln (12) som medföljer.
- ◆ Ta bort den yttre brickan (13).
- ◆ Ta bort sågklingan (7).

Fastsättning

- ◆ Sätt sågklingan på den inre flänsen (14) och se till så att pilen på klingan pekar i samma riktning som pilen på verktyget.
- ◆ Trä på den yttre brickan (13) på spindeln med den upphöjda delen vänd bort från sågklingan.
- ◆ Sätt skruven (11) som håller fast klingan i hålet.
- ◆ Håll spindellåsknappen (5) intryckt.
- ◆ Dra åt skruven som håller fast klingan ordentligt genom att vrida den medurs med hjälp av skruvnyckeln (12) som medföljer.

Montera och ta bort parallellanslaget (bild B)

- ◆ Parallellanslaget används för att säga i en rak linje parallellt med arbetsstyckets kant.

Fastsättning

- ◆ Lossa låsratten (16).
- ◆ Stick in parallellanslaget (17) genom öppningarna (18).
- ◆ Skjut parallellanslaget till önskad position.
- ◆ Dra åt låsratten.

Demontering

- ◆ Lossa på låsratten.
- ◆ Dra bort parallellanslaget från verktyget.

Användning

Varning! Låt verktyget arbeta i sin egen takt. Överbelasta inte. Verktyget kan hållas med antingen höger eller vänster hand.

Justera sågvinkeln (bild C)

- ◆ Använd en vinkelhake för att kontrollera att vinkeln mellan sågbladet och sågplattan är 90°. Om vinkeln inte är 90° justerar du den på följande sätt:
- ◆ Lossa på låsratten (19) för att lossa på sågplattan.
- ◆ Lossa på låsmuttern (20) på justeringsskruven (21).
- ◆ Skruva justeringsskruven (20) inåt eller utåt tills vinkeln är 90°.
- ◆ Dra åt låsmuttern igen.
- ◆ Dra åt låsratten för att låsa sågplattan på plats.

Ställa in sågdjupet (bild D)

Sågdjupet ska anpassas efter tjockleken på arbetsstycket. Sågdjupet ska vara cirka 2 mm större än tjockleken.

- ◆ Lossa ratten (20) för att låsa upp sågplattan.
- ◆ Flytta sågplattan (6) till önskat läge. Motsvarande sågdjup kan avläsas på skalan (21).
- ◆ Dra åt ratten för att låsa sågplattan på plats.

Inställning av geringsvinkeln (bild E)

Det här verktyget kan ställas in på fäsvinklar mellan 0° och 45°.

- ◆ Lossa på låsratten (19) för att lossa på sågplattan.
- ◆ Flytta sågplattan (6) till önskat läge. Motsvarande fäsvinkel kan avläsas på skalan (24).
- ◆ Dra åt låsratten för att låsa sågplattan på plats.

Slå på och stänga av

- ◆ Starta verktyget genom att trycka låsknappen (2) till öläst läge och trycka på strömbrytaren (1).
- ◆ Stäng av verktyget genom att släppa upp strömbrytaren.

Sågning

Håll alltid i verktyget med båda händerna.

- ◆ Låt sågklingan köras några sekunder innan du börjar säga.
- ◆ Tryck bara försiktigt på sågen medan du sågar.
- ◆ Arbeta med skon tryckt mot arbetsstycket.

Notera: Se till att klingspetsarna inte överhettas.

Använda sågmarkeringsdelen (bild F)

Verktyget har sågmarkeringar för rätvinklig sågning (25).

- ◆ Justera sågmarkeringsdelen enligt anvisningarna nedan.
- ◆ Justera sågmarkeringsdelen så att vänstra sidan av markering (25) är i linje med skärinjen (26).

Dammugning

För att ansluta en dammsugare till verktyget krävs en adapter.

- ◆ Sätt in adaptern för dammugning i spånutkastet (10).
- ◆ Anslut dammsugarslangen till adaptern.

Tips för optimal användning

- ◆ Använd alltid särskilda sågklingor som är anpassade för det material du ska säga i och för hur du ska säga.
- ◆ Håll alltid i verktyget med båda händerna.
- ◆ Låt sågklingan köras några sekunder innan du börjar säga.
- ◆ Tryck bara försiktigt på sågen medan du sågar.
- ◆ Arbeta med skon tryckt mot arbetsstycket.
- ◆ Eftersom det inte helt går att undvika flisbildning i skärinjen på arbetsstyckets ovansida ska du säga på den sida där det är mest acceptabelt med flisbildning.

- ◆ När man vill minimera flisbildningen, t.ex. när man sågar i laminat, kan man klämma fast ett stycke plywood ovanpå arbetsstycket.
- ◆ Stora arbetsstycken bör ha stöd för att minimera risken för att bladet kläms fast och att sågen kastas bakåt. Stora arbetsstycken böjs ofta av sin egen vikt.
- ◆ Placera stöd under arbetsstycket på båda sidorna, ett nära sågspåret och ett vid kanten på sågstycket.
- ◆ Håll aldrig arbetsstycket i händerna eller över benen vid sågning.
- ◆ Fäst arbetsstycket på ett stabilt underlag med tvingar. Det är viktigt att arbetsstycket hålls fast ordentligt för att undvika kontakt med kroppen, inklämning av sågskivan eller förlorad kontroll över sågen.

Underhåll

Det här Stanley FatMax-verktyget (med eller utan sladd) är konstruerat för att fungera under lång tid med minsta möjliga underhåll. Kontinuerlig tillfredsställande drift beror på ordentlig verktygsvård och regelbunden rengöring.

Varning! Innan något underhåll utförs på sladdanslutna/sladdlösa elverktyg:

- ◆ Stäng av apparaten/verktyget och dra ur nätkontakten.
- ◆ Du kan också ta ut batteriet ur apparaten/verktyget om apparaten/verktyget har ett separat batteri.
- ◆ Om batteriet är inbyggt låter du det laddas ur helt innan avstängningen.
- ◆ Dra ur sladden till laddaren innan du rengör den. Laddaren behöver inget annat underhåll än regelbunden rengöring.
- ◆ Rengör regelbundet redskapets/verktygets/laddarens luftintag med en mjuk borste eller torr trasa.
- ◆ Rengör motorhöljet regelbundet med en fuktig trasa. Använd aldrig rengöringsmedel med lösnings- eller slipmedel.
- ◆ Öppna chocken (där sådan finns) med jämna mellanrum och knacka på den för att avlägsna damm som sitter på insidan.

Skydda miljön



Separat insamling. Produkter och batterier som är markerade med denna symbol får inte kastas in de vanliga hushållssoporna.

Produkterna och batterierna innehåller material som kan återvinnas eller återanvändas, vilket sänker behovet av råmaterial.

Återvinn elektriska produkter och batterier enligt lokala bestämmelser. Närmare information finns tillgänglig på www.2helpU.com

Tekniska data

		KFFMES301 (Typ 1)
Ingångsspänning	V_{ac}	230
Ineffekt	W	1650
Varvtal obelastad	Min^{-1}	5500
Maximalt sågdjup	mm	66
Klingdiameter	mm	190
Håldiameter	mm	16
Tandtjocklek	mm	1.8
Vikt	kg	3,9 (4,31 med klinga)

Ljudtrycksnivå enligt EN 60745:

Ljudtryck (L_{pA}) 89,0 dB(A), osäkerhet (K) 3 dB(A)

Ljudtryck (L_{WA}) 100 dB(A), osäkerhet (K) 3 dB(A)

Totala vibrationsvärden (vektorsumman av tre axlar) enligt EN 60745:

Vibrationsutstrålningsvärde ($a_{h\nu}$) 2,6 m/s^2 , osäkerhet (K) 1,5 m/s^2 (sågning av trä)

EG-deklaration Försäkran om överensstämmelse MASKINDIREKTIVET



KFFMES301 - Cirkelsåg

Stanley Europe garanterar att produkterna som beskrivs under "tekniska data" uppfyller:
EN60745-1:2009+A11:2010, EN60745-2-5:2010

Dessa produkter överensstämmer även med direktiven 2006/42/EG, 2014/30/EU och 2011/65/EU.

För ytterligare information, kontakta Stanley Europe på följande adress eller se slutet av bruksanvisningen.

Undertecknad är ansvarig för sammanställning av den tekniska filen och gör denna förklaring på Stanley Fat Max vägnar.

R. Laverick
Engineering Director
Stanley Fat Max Europe, 210 Bath Road, Slough,
Berkshire, SL1 3YD
Storbritannien
2018-02-07

Garanti

Stanley Europe är övertygad om kvaliteten hos denna produkt och erbjuder kunder 12 månaders garanti från inköpsdatumet. Garantin gäller utöver konsumentens rättigheter enligt lag och påverkar inte dessa. Garantin är giltig i de områden som tillhör medlemsstaterna i Europeiska unionen och det europeiska frihandelsområdet.

För yrkande under garantin måste yrkandet vara in enlighet med Stanley europe villkor och du kommer att behöva skicka in bevis på köpet till försäljaren eller en auktoriserad reparatör.

Villkoren för Stanley Europe ettåriga garanti och var du hittar din närmaste auktoriserade reparatör kan erhållas på internet på www.2helpU.com, eller genom att kontakta ditt lokala Stanley Fat Max kontor på adressen som anges i denna manual.

Besök vår webbplats www.stanley.eu/3 för att registrera din nya Stanley Fat Max produkt samt för att få information om nya produkter och specialerbjudanden.

Tiltenkt bruk

Stanley Fat Max KFFMES301 sirkelsag er konstruert for saging av tre og treprodukter. Dette verktøyet er tiltenkt både fagarbeidere og private brukere.

Sikkerhetsinstruksjoner

Generelle sikkerhetsadvarsler for elektroverktøy



Advarsel! Les alle sikkerhetsadvarsler og alle instruksjoner. Hvis advarslene og anvisningene nedenfor ikke overholdes, kan det medføre elektrisk støt, brann og/eller alvorlige personskader.

Ta vare på alle advarsler og instruksjoner for fremtidig bruk. Uttrykket "elektroverktøy" i alle advarslene nedenfor gjelder for strømdrevne elektroverktøy (med ledning) og batteridrevne elektroverktøy (uten ledning).

1. Sikkerhet i arbeidsområdet

- Hold arbeidsområdet rent og godt opplyst.** Rotete eller mørke områder er en invitasjon til ulykker.
- Ikke arbeid med elektroverktøy i eksplosjonsfarlige omgivelser, for eksempel der det befinner seg brennbare væsker, gass eller støv.** Elektrisk verktøy skaper gnister som kan antenne støv eller gasser.
- Hold barn og andre personer unna når du bruker et elektroverktøy.** Distraksjoner kan føre til at du mister kontrollen.

2. Elektrisk sikkerhet

- Støpselet til elektroverktøy må passe til stikkkontakten. Aldri modifier støpselet på noen måte. Ikke bruk adapterstøpsler til jordede elektriske verktøy.** Umodifiserte støpsler og stikkontakter som passer vil redusere risikoen for elektrisk sjokk.
- Unngå kroppskontakt med jordede overflater som rør, radiatorer, komfyrer og kjøleskap.** Det er økt risiko for elektrisk støt dersom kroppen din er jordnet.
- Ikke utsett elektroverktøy for regn eller fuktighet.** Dersom det kommer vann inn i et elektrisk verktøy vil det øke risikoen for elektrisk sjokk.
- Unngå uforsvarlig behandling av ledningen. Aldri bruk ledningen til å bære, trekke eller dra ut støpselet til det elektriske verktøyet. Hold ledningen borte fra varme, olje, skarpe kanter eller bevegelige deler.** Skadede eller innviklede ledninger øker risikoen for elektrisk sjokk.
- Når du bruker et elektroverktøy utendørs, må du bruke en skjøteledning som er egnet til utendørs bruk.** Bruk av en skjøteledning beregnet for utendørs bruk reduserer risikoen for elektrisk støt.
- Hvis du ikke kan unngå å bruke elektroverktøy på et fuktig sted, må du bruke en strømforsyning som er beskyttet med jordfeilbryter.** Bruk av jordfeilbryter (RCD) reduserer risikoen for elektrisk sjokk.

3. Personikkerhet

- Vær oppmerksom, pass på hva du gjør, og vis fornuft når du arbeider med et elektroverktøy. Ikke bruk et elektrisk verktøy dersom du er trøtt eller er påvirket av medikamenter, narkotika eller alkohol.** Ett øyeblikks uoppmerksomhet under bruk av elektriske verktøy kan føre til alvorlig personskade.
- Bruk personlig verneutstyr. Bruk alltid vernebriller.** Verneutstyr slik som støvmaske, sklisiske vernesko, hjelm, eller hørselsvern brukt under passende forhold vil redusere personskader.
- Forhindre utilsiktet start. Kontroller at bryteren står i posisjon "av" før du kobler til strømkilden og/eller batteripakken, og før du tar opp eller bærer verktøyet.** Å bære elektriske verktøy med fingeren på bryteren eller å sette inn støpselet mens elektriske verktøy har bryteren på øker faren for ulykker.
- Fjern eventuelt innstillingsverktøy eller skruverktøy før du slår på elektroverktøyet.** Et skruverktøy eller en nøkkel som fortsatt er festet til en roterende del av elektroverktøyet, kan føre til personskade.
- Ikke strekk deg for langt. Ha godt fotfeste og stå støtt hele tiden.** Dette fører til at du har bedre kontroll over det elektriske verktøyet ved uventede situasjoner.
- Bruk egnede klær. Ikke ha på deg løstsittende klær eller smykker.**

Hold hår, antrekk og hansker borte fra bevegelige deler. Løstsittende klær, smykker og langt hår kan bli fanget opp av bevegelige deler.

- g. Hvis det kan monteres støvavsug- og oppsamlingsinnretninger, må du forvisse deg om at disse er tilkoblet og brukes på riktig måte. Bruk av støvoppsamlere kan redusere støvrelaterte farer.
4. **Bruk og behandling av elektroverktøy**
- a. **Ikke bruk makt på elektroverktøyet. Bruk det elektriske verktøyet som situasjonen krever.** Det riktige elektriske verktøyet vil gjøre jobben bedre og tryggere ved den hastigheten det ble konstruert for.
- b. **Ikke bruk elektroverktøyet hvis du ikke kan slå det på og av med bryteren.** Ethvert elektrisk verktøy som ikke kan kontrolleres med bryteren er farlig og må repareres.
- c. **Trekk støpselet ut av stikkkontakten og/eller koble fra batteripakken på elektroverktøyet før du utfører innstillinger, bytter tilbehør eller legger elektroverktøyet bort.** Slike preventive sikkerhetsforanstaltninger reduserer risikoen for å starte det elektriske verktøyet ved et uhell.
- d. **Elektroverktøy som ikke er i bruk, må oppbevares utilgjengelig for barn. Ikke la verktøyet bli brukt av personer som ikke er fortrolige med det, eller som ikke kjenner disse instruksjonene.** Elektriske verktøy er farlige i hendene på utrenede brukere.
- e. **Sørg for vedlikehold av elektroverktøy. Undersøk om bevegelige deler er feiljustert eller blokkert, om deler er skadet, og om det er andre forhold som kan påvirke elektroverktøets funksjon. Dersom det er skadet, få verktøyet reparert før neste bruk.** Mange ulykker forårsakes av dårlig vedlikeholdte verktøy.
- f. **Hold skjæreverktøy skarpe og rene.** Godt vedlikeholdte skjæreverktøy med skarpe skjærekanter setter seg mindre sannsynlig fast og er lettere å kontrollere.
- g. **Bruk elektroverktøy, tilbehør, bor osv. i henhold til disse instruksjonene. Ta hensyn til arbeidsforholdene og arbeidet som skal utføres.** Bruk av det elektriske verktøyet for oppgaver som er forskjellige fra de som er tiltenkt kan føre til en farlig situasjon.
5. **Service**
- a. **Elektroverktøy skal repareres av kvalifisert personell og bare med originale reservedeler.** Dette vil sikre at verktøets sikkerhet blir ivarettatt.

Ytterligere sikkerhetsadvarsler for elektroverktøy



Advarsel! Sikkerhetsinstrukser for alle sager

Skjæreprosedyrer

- a. **Hold hendene unna skjærområdet og bladet. Hold den andre hånden på hjelpehåndtaket eller motorhuset.** Med begge hender på sagen kan de ikke kuttes av bladet.
- b. **Ikke strekk hånden under arbeidsstykket.** Beskyttelsen kan ikke beskytte deg fra bladet under arbeidsstykket.
- c. **Juster kuttdybden til arbeidsstykkets tykkelse.** Mindre enn en hel tann på bladet skal være synlig under arbeidsstykket.
- d. **Hold aldri arbeidsstykket i hendene eller over benet ditt.** Fest arbeidsstykket på et stabilt grunnlag. Det er viktig at arbeidsstykket støttes ordentlig for å minimere risikoen for personskade, at bladet setter seg fast eller at du mister kontrollen.
- e. **Hold bare i de isolerte grepene på elektroverktøyet når du utfører et arbeid der skjæreverktøyet kan komme i kontakt med skjulte ledninger eller sin egen kabel.** Kontakt med en strømførende ledning vil også føre til at eksponerte metalldele på elektroverktøyet blir strømførende, og brukeren kan få elektrisk støt.
- f. **Når du sager på langs, må du alltid bruke skjæreskinne eller parallellføring.** Dette forbedrer kuttets nøyaktighet og reduserer muligheten for at bladet setter seg fast.
- g. **Bruk alltid blad med korrekt størrelse og form (diamant kontra rund) på festehullet.** Blad som ikke passer til festemekanismen på sagen vil gå eksentrisk som fører til at du mister kontrollen.
- h. **Bruk aldri skadede eller uriktige bladpakninger eller bolt.** Bladpakningene og bolt er spesialtilpasset sagen, for optimal ytelse og driftsikkerhet.

Ytterligere sikkerhetsinstruksjoner for alle sager

Årsaker til tilbakeslag og relaterte advarsler

- ◆ **Tilbakeslag er en plutselig reaksjon på et fastklemt eller feiljustert sagblad og forårsaker at en ukontrollert sag reiser seg opp og ut av arbeidsstykket mot brukeren;**
- ◆ **Når bladet er festklemt ved at snittet lukker seg, blir bladet sittende fast og motorens reaksjon fører enheten raskt tilbake mot operatøren;**
- ◆ **Dersom bladet blir vridd eller feilinnrettet i kuttet kan tenene bak på bladet grave seg inn i treverkets overflate og forårsake at bladet kommer ut av snittet og hopper tilbake mot operatøren.**

Tilbakeslag er resultatet av feil bruk av sagen og/eller feil driftsprosedyrer eller betingelser, og kan unngås ved å treffe skikkelige forholdsregler, som angitt nedenfor.

- a. **Hold et fast grep med begge hender på sagen og ha armene i en stilling som kan motstå tilbakeslagskraften.**

Posisjoner kroppen til den ene eller andre siden av bladet, ikke på linje med bladet. Tilbakeslag kan føre til at sagen hopper bakover, men tilbakeslagskraften kan kontrolleres av operatøren dersom skikkelige forhåndsregler treffes.

- b. **Dersom bladet setter seg fast eller når du avbryter saging av noen grunn, slipp bryteren og hold sagen stille i materialet inntil bladet stopper helt. Forsøk aldri å fjerne sagen fra arbeidsstykket eller å dra sagen bakover mens bladet er i bevegelse, tilbakeslag kan skje.** Undersøk og sørg for å fjerne årsakene til fastklemming av bladet.
- c. **Når du starter en sag på nytt i arbeidsstykket, plasser sagbladet sentrert i snittet og sjekk at sagtennene ikke sitter i materialet.** Dersom sagbladet kjører seg fast, kan det "vandre" opp eller slå tilbake opp fra arbeidet når sagen startes på nytt.
- d. **Støtt opp store arbeidsstykker for å redusere risikoen for tilbakeslag og at bladet setter seg fast.** Store arbeidsstykker har en tendens til å henge ned under sin egen vekt. Støtter må plasseres under arbeidsstykket på begge sider, nær skjærelinjen og nær kanten av arbeidsstykket.
- e. **Ikke bruk sløve eller skadede blader.** Uskarpe eller feilstilte blad gir et smalt sagspor som gir for høy friksjon, faskjøring av bladet eller tilbakeslag.
- f. **Spær for stilling av bladdybde og skråstilling skal være tilskrudd og festet før du sager.** Dersom bladets stilling endres ved saging, kan det føre til fastkjøring eller tilbakeslag.
- a. **Utvis ekstra forsiktighet når det sages i eksisterende vegger eller andre blinde områder.** Det utstikkende bladet kan kutte objekter som kan forårsake tilbakeslag.

Nedre beskyttelse

- a. **Kontroller at nedre beskyttelsen lukker riktig før hvert bruk. Ikke bruk sagen dersom den nedre beskyttelsen ikke beveger seg fritt og lukker seg øyeblikkelig. Den nedre beskyttelsen må aldri klemmes eller festes i åpen stilling.** Dersom sagen slippes ved en feiltagelse kan den nedre beskyttelsen bøyes. Løft den nedre beskyttelsen med det innskyvbare håndtaket og påse at den beveger seg fritt og ikke rører bladet eller noen annen del, i alle kuttvinkler og dybder.
- b. **Kontroller funksjon av fjæren til nedre beskyttelsen. Dersom beskyttelsen og fjæren ikke fungerer riktig må de på service før bruk.** Nedre beskyttelse kan fungere tregt på grunn av skadede deler, gummibelegg eller oppbygging av avfall.
- c. **Den nedre beskyttelsen skal trekkes tilbake manuelt bare ved spesielle kutt som "dykkekutt" og "sammensatt kutt".**

Løft nedre beskyttelsen med det innskyvbare håndtak, og så fort bladet går inn i materialet må den nedre beskyttelsen slippes. For all annen saging skal den nedre beskyttelsen fungere automatisk.

- d. **Påse alltid at den nedre beskyttelsen dekker bladet før du setter fra deg sagen på benken eller gulvet.** Et ubeskyttet, frirullende blad får sagen til å bevege seg bakover, og den kutter alt som måtte være i veien. Vær oppmerksom på tiden det tar bladet å stoppe etter at bryteren slippes.

Andre risikoer.

Når verktøyet brukes, kan det oppstå ytterligere risikoer som kanskje ikke er beskrevet i de medfølgende sikkerhetsadvarselene. Disse risikoene kan bli forårsaket av feil bruk, langvarig bruk osv.

Selv om de relevante sikkerhetsbestemmelsene blir fulgt, og sikkerhetstiltakene blir gjennomført, kan visse gjenværende risikoer ikke unngås. Disse inkluderer:

- ◆ Personskader som forårsakes av berøring av en roterende/bevegelig del.
- ◆ Personskader som oppstår ved skifte av deler, blader eller tilbehør.
- ◆ Personskader som skyldes for lang tids bruk av verktøyet. Når du bruker et verktøy i lange perioder, må du sørge for å ta regelmessige pauser.
- ◆ Hørselskader.
- ◆ Helseferar forårsaket av innånding av støv som utvikler seg når du bruker verktøyet (eksempel: arbeid med tre, spesielt eik, bøk og MDF.)

Sagblader

- ◆ Ikke bruk blader med større eller mindre diameter enn anbefalt. For opplysninger om riktig skjærekapasitet, se tekniske data. Bruk kun sagbladespesifisert i denne manualen, som er i samsvar med EN 847-1.
- ◆ **Advarsel!** Slipeskiver må aldri brukes.

Andre personers sikkerhet

- ◆ Dette apparatet er ikke ment for bruk av personer (inkludert barn) med redusert fysiske, sensoriske eller mentale evner, eller mangel på erfaring og kunnskap, med mindre de får tilsyn eller har blitt opplært i bruk av apparatet av en person ansvarlig for deres sikkerhet.
- ◆ Barn må holdes under oppsyn, sørg for at de ikke leker med apparatet.

Vibrasjon

Vibrasjonsemisjonsverdien som er angitt under tekniske data og samsvarserklæring, er blitt målt i henhold til en standard testmetode som er angitt i EN 60745, og kan brukes til å sammenligne et verktøy med et annet.

Den oppgitte vibrasjonsemissionsverdien kan også brukes til en foreløpig vurdering av eksponering.

Advarsel! Vibrasjonsemissionsverdien under faktisk bruk av elektroverktøyet kan avvike fra den oppgitte verdien avhengig av måten verktøyet blir brukt på. Vibrasjonsnivået kan øke over nivået som er oppgitt.

Når det vurderes vibrasjonseksponering for å avgjøre hvilke sikkerhetstiltak som kreves ifølge 2002/44/EF, for å beskytte personer som bruker elektroverktøy regelmessig til arbeidsformål, skal det, når vibrasjonseksponeringen anslås, tas hensyn til de faktiske bruksforholdene og måten verktøyet blir brukt på. Dette inkluderer å ta hensyn til alle deler av brukssyklusen, for eksempel når verktøyet er avslått, når det går på tomgang og når utløseren er trykket inn.

Etiketter på verktøyet

De følgende symbolene sammen med datokode vises på verktøyet:



Advarsel! Brukeren må lese håndboken for å redusere risikoen for personskade.

Elektrisk sikkerhet



Dette verktøyet er dobbeltisolert. Jording er derfor ikke nødvendig. Kontroller alltid at strømforsyningen samsvarer med spenningen på merkeskiltet.

- ◆ Hvis strømledningen blir skadet, må den skiftes av produsenten eller et autorisert Stanley Fat Max-servicesenter så man unngår fare.

Funksjoner

Dette verktøyet har noen av eller alle følgende egenskaper.

1. På-/av-bryter
2. Låseknapp
3. Hovedhåndtak
4. Hjelpeshåndtak
5. Spindellåseknapp
6. Sko
7. Sagblad
8. Sagbladbeskyttelse
9. Beskyttelseshåndtak
10. Sagflisuttak

Montering

Advarsel! Før du utfører noen av fremgangsmåtene nedenfor, må du kontrollere at verktøyet er slått av, kontakten plugges ut og sagbladet har stoppet.

Demontering og montering av sagblad (figur A)

Demontering

- ◆ Hold inne låseknappen for spindelen (5), og vri sagbladet til spindellåsen griper.
- ◆ Løsne og ta ut festeskruen for bladet (11) ved å dreie den mot klokken med skrunøkkelen (12) som følger med.
- ◆ Fjern den ytre skiven (13).
- ◆ Ta ut sagbladet (7).

Montering

- ◆ Plasser sagbladet på den indre flensen (14), og pass på at pilen på bladet peker i samme retning som pilen på verktøyet.
- ◆ Sett den ytre skiven (13) på spindelen med det hevede punktet bort fra sagbladet.
- ◆ Sett festeskruen for bladet (11) inn i hullet.
- ◆ Hold inne spindellåseknappen (5).
- ◆ Stram festeskruen for bladet godt ved å dreie den med klokken med skrunøkkelen (12) som følger med.

Montering og demontering av parallellguiden (fig. B)

- ◆ Parallellguiden brukes til å sage i en rett linje parallelt med kanten av arbeidsstykket.

Montering

- ◆ Løsne låseknotten (16).
- ◆ Sett inn parallellguiden (17) gjennom åpningene (18).
- ◆ Skyv parallellguiden til den ønskede stillingen.
- ◆ Stram låseknotten.

Demontering

- ◆ Løsne låseknotten.
- ◆ Trekk parallellguiden av verktøyet.

Bruk

Advarsel! La verktøyet arbeide i sin egen hastighet. Må ikke overbelastes.

Dette verktøyet kan brukes med høyre eller venstre hånd.

Justere sagesvinkelen (fig. C)

- ◆ Bruk en vinkelhake til å sjekke at vinkelen mellom sagbladet og sagfoten er 90°. Hvis vinkelen ikke er 90°, justerer du slik:
- ◆ Skru opp låseknotten (19) for å løsne sagfoten.
- ◆ Løsne låsemutteren (20) på justeringsskruen (21).
- ◆ Skru justeringsskruen (20) inn eller ut så du oppnår en vinkel på 90°
- ◆ Stram låsemutteren igjen.
- ◆ Stram låseknotten for å feste sagfoten.

Justere skjæredybden (figur D)

Skjæredybden skal stilles inn i samsvar med tykkelsen på arbeidsstykket. Den skal være ca. 2 mm større enn tykkelsen.

- ◆ Skru opp låseknotten (20) for å løsne sagfoten.
- ◆ Flytt sagfoten (6) til ønsket posisjon. Du kan lese av den tilsvarende skjæredybden på skalaen (21).
- ◆ Stram låseknotten for å feste sagfoten.

Justere gjæringsvinkelen (fig. E)

Dette verktøyet kan stilles inn med sagevinkler mellom 0° og 45°.

- ◆ Skru opp låseknotten (19) for å løsne sagfoten.
- ◆ Flytt sagfoten (6) til ønsket posisjon. Du kan lese av den tilsvarende sagevinkelen på skalaen (24).
- ◆ Stram låseknotten for å feste sagfoten.

Slå på og av

- ◆ Når du skal slå på verktøyet, setter du låseknappen (2) i åpen stilling og trykker på av/på-knappen (1).
- ◆ Slipp på/av-knappen for å slå verktøyet av.

Saging

Hold alltid verktøyet med begge hender.

- ◆ La bladet løpe fritt i noen sekunder før du begynner å sage.
- ◆ Bruk bare et lett press på verktøyet når du sager.
- ◆ Arbeid med sagfoten trykt mot arbeidsstykket.

Merk: Pass på at bladspissene ikke overopphetes.

Bruke siktguiden (fig. F)

Verktøyet er utstyrt med en siktguide for rett saging (25).

- ◆ Juster siktguiden som beskrevet nedenfor.
- ◆ Juster venstre kant av guiden (25) med skjærelinjen (26).

Støvsug

Du trenger en adapter for å koble en støvsuger eller et støvavtrekk til verktøyet.

- ◆ Sett inn støvuttagsadapteren i sagstøvuttaket (10).
- ◆ Koble støvsugerslangen til adapteren.

Råd for optimal bruk

- ◆ Bruk alltid sagblader som egner seg for materialet i arbeidsstykket og den typen saging som skal utføres.
- ◆ Hold alltid verktøyet med begge hender.
- ◆ La bladet løpe fritt i noen sekunder før du begynner å sage.
- ◆ Bruk bare et lett press på verktøyet når du sager.
- ◆ Arbeid med sagfoten trykt mot arbeidsstykket.
- ◆ Da det er umulig å unngå noe oppflising langs skjærelinjen på oversiden av arbeidsstykket, sager du på den siden der oppflisingen kan aksepteres.

- ◆ Når oppflisingen skal være minimal, for eksempel ved saging av laminater, fester du et stykke finer oppå arbeidsstykket.
- ◆ Støtt opp store plater for å gjøre risikoen for klemming av bladet og tilbakeslag minst mulig. Store arbeidsstykker har en tendens til å henge ned under sin egen vekt.
- ◆ Du må plassere støtter under platen på begge sider av skjærelinjen og i nærheten av kanten av platen som skal sages.
- ◆ Hold aldri arbeidsstykket i hendene eller over benet ditt.
- ◆ Fest arbeidsstykket til et stabilt underlag med klemmer. Det er viktig at arbeidsstykket støttes ordentlig for å minimere risikoen for personskaade, at bladet setter seg fast eller at du mister kontroll.

Vedlikehold

Din Stanley Fat Max apparatet/verktøyet (batteridrevet eller med kabel) er konstruert for å være i drift over lengre tid med et minimum av vedlikehold. For at den skal fungere tilfredsstillende over tid, er det viktig å sørge for riktig stell av verktøyet og regelmessig renhold.

Advarsel! Før du utfører vedlikehold på elektriskdrevet/batteridrevet elektroverktøy:

- ◆ Slå av apparatet/verktøyet og trekk ut støpselet.
- ◆ Eller slå av apparatet/verktøyet og fjern batteriet fra dette hvis apparatet/verktøyet har separat batteripakke.
- ◆ Eller la batteriet gå helt tomt hvis det er innebygd, og slå deretter av.
- ◆ Fjern laderen fra stikkkontakten før du rengjør den. Laderen krever ikke annet vedlikehold enn regelmessig rengjøring.
- ◆ Rengjør ventilasjonsåpningene i apparatet/verktøyet/laderen jevnlig med en myk børste eller tørr klut.
- ◆ Rengjør motorhuset regelmessig med en fuktig klut. Ikke bruk slipende eller løsemiddelbaserte rengjøringsmidler.
- ◆ Åpne chucken regelmessig, og bank på den for å fjerne eventuelt støv fra innsiden (hvis det er aktuelt).

Miljøvern

Separat avfallshåndtering. Produkter og batterier merket med dette symbolet skal ikke kastes i vanlig husholdningsavfall.

Produkter og batterier inneholder materialer som kan gjenbrukes eller gjenvinnes for å redusere behovet for nye råmaterialer.

Vennligst lever elektrisk utstyr og batterier til gjenbruk i henhold til lokale regler. Mer informasjon finner du på www.2helpU.com

Tekniske data

		KFFMES301 (Type 1)
Inngangsspenning	V _{Ac}	230
Inngangseffekt	W	1650
Ubelastet hastighet	Min ⁻¹	5500
Maks. skjæredybde	mm	66
Bladdiameter	mm	190
Bladåpning	mm	16
Bredde bladspiss	mm	1,8
Vekt	kg	3,9 (4,31 med blad)

Lydtrykknivå i henhold til EN 60745:

Lydtrykk (L_{pa}) 89,0 dB(A), usikkerhet (K) 3 dB(A)Lydeffekt (L_{wa}) 100 dB(A), usikkerhet (K) 3 dB(A)

Totale vibrasjonsverdier (vektorsum fra tre retninger) bestemt i samsvar med EN 60745:

Vibrasjonsemissjonsverdi (a_{hw}) 2,6 m/s², usikkerhet (K) 1,5 m/s² (saging i treverk)EU-samsvarerklæring
MASKINERIDIREKTIV

KFFMES301 - Sirkelsag

Stanley Europe erklærer at disse produktene som er beskrevet under "Tekniske data", er i samsvar med: EN60745-1:2009+A11:2010, EN60745-2-5:2010

Disse produktene er også i samsvar med direktiv 2006/42/EF, 2014/30/EU og 2011/65/EU.

Hvis du ønsker mer informasjon, kontakt Stanley Fat Max på følgende adresse, eller se på baksiden av bruksanvisningen.

Undertegnede er ansvarlig for sammenstillingen av den tekniske filen og fremsetter denne erklæringen på vegne av Stanley Fat Max.

R. Laverick
Engineering Director
Stanley Fat Max Europe, 210 Bath Road, Slough,
Berkshire, SL1 3YD
Storbritannia
07.02.2018

Garanti

Stanley Europe er trygg på kvaliteten av produktene sine og tilbyr en 12 måneders garanti fra kjøpsdata. Denne garantierklæringen kommer i tillegg til dine lovbestemte rettigheter og er ikke i konflikt med disse. Garantien er gyldig innen områdene tilhørende medlemslandene i den Europeiske Union (EU) og det Europeiske Frihandelsområdet (EFTA).

For å ta garantien i bruk må kravet være i samsvar med kjøpsbetingelsene fra Stanley Europe og du må vise kjøpskvittering til forhandleren eller til et autorisert serviceverksted.

Betingelsene for års garanti og adressen til din nærmeste autoriserte serviceverksted kan du finne på internett under www.2helpU.com, eller ved å kontakte ditt lokale local Stanley Fat Max kontor, adressen er angitt i denne bruksanvisningen.

Besøk våre nettsider på www.stanley.eu/3 for å registrere ditt nye Stanley Fat Max-produkt og for å få informasjon om nye produkter og spesialtilbud.

(Oversættelse af de oprindelige instruktioner)

Tilsluttet brug

Din Stanley FatMax-KFFMES301-rundsav er designet til at save i træ og træprodukter. Dette værktøj er beregnet til erhvervsmæssige brugere og private ikke-erhvervsmæssige brugere.

Sikkerhedsinstruktioner

Generelle sikkerhedsadvarsler vedrørende elværktøj



Advarsel! Læs alle sikkerhedsadvarsler og alle instruktioner. Hvis nedenstående advarsler og instruktioner ikke følges, er der risiko for elektrisk stød, brand og alvorlige kvæstelser.

Gem alle advarsler og instruktioner til senere brug. Begrebet "elværktøj", der benyttes i nedenstående advarsler, henviser til netdrevne (med netledning) eller batteridrevne maskiner (uden netledning).

1. Sikkerhed i arbejdsområdet

- Hold arbejdsområdet rent og ordentligt oplyst.** Rodede eller mørke områder giver anledning til ulykker.
- Brug ikke elværktøj i eksplosive omgivelser, f.eks. hvor der er brændbare væsker, gasser eller støv.** Elværktøj danner gnister, der kan antænde støv eller dampe.

- c. **Hold børn og andre personer i nærheden på afstand, når der arbejdes med elværktøj.** Distractioner kan medføre, at du mister kontrollen.
2. **Elektricitet og sikkerhed**
- a. **Elværktøjets stik skal passe til kontakten. Stikket må aldrig modificeres på nogen måde. Undlad at bruge adapterstik sammen med jordforbundet elektrisk værktøj.** Umodificerede stik og dertil passende stikkontakter reducerer risikoen for elektrisk stød.
- b. **Undgå kropskontakt med jordforbundne overflader som f.eks. rør, radiatorer, komfurer og køleskabe.** Der er øget risiko for elektrisk stød, hvis din krop er jordforbundet.
- c. **Udsæt ikke elværktøj for regn, og brug det ikke, hvor omgivelserne er våde.** Hvis der trænger vand ind i et elektrisk værktøj, øges risikoen for elektrisk stød.
- d. **Pas på, at ledningen ikke beskadiges. Brug aldrig ledningen til at bære, trække værktøjet eller trække det ud af stikkontakten. Hold ledningen borte fra varme, olie, skarpe kanter og bevægelige dele.** Beskadigede eller sammenfiltrede ledninger øger risikoen for elektrisk stød.
- e. **Hvis elværktøj benyttes i det fri, skal der benyttes en forlængerledning, som er godkendt til udendørs brug.** Brug af en ledning, der er egnet til udendørs brug, reducerer risikoen for elektrisk stød.
- f. **Brug en strømkilde med fejlstrømsrelæ, hvis det er nødvendigt at anvende elværktøj på fugtige steder.** Ved at benytte en fejlstrømsafbryder reduceres risikoen for elektrisk stød.
3. **Personsikkerhed**
- a. **Vær opmærksom på, hold øje med, hvad du laver, og brug elværktøjet fornuftigt. Betjen ikke værktøjet, hvis du er træt, påvirket af narkotika, alkohol eller medicin.** Et øjeblikks uopmærksomhed under anvendelse af et elektrisk værktøj kan forårsage alvorlige kvæstelser.
- b. **Brug personligt beskyttelsesudstyr. Bær altid beskyttelsesbriller.** Sikkerhedsudstyr, såsom støvmaske, skridsikre sikkerhedssko, sikkerhedshjelm eller høreværn, brugt når omstændighederne foreskriver det, reducerer omfanget af personskader.
- c. **Træf forholdsregler, så utilsigtet start ikke er mulig. Kontrollér, at afbryderkontakten står på slukket, inden værktøjet tilsluttes strømkilden og/eller batteriet, samles op eller bæres.** Når elektrisk værktøj bæres med fingeren på kontakten eller tilsluttes, når kontakten er tændt, giver det anledning til ulykker.
- d. **Fjern indstillingsværktøj eller skruenøgle, inden elværktøjet startes.** En skruenøgle eller anden nøgle, der bliver siddende på en roterende del af elektrisk værktøj, kan give anledning til personskade.
- e. **Stræk dig ikke for langt. Hold hele tiden en god fodstilling og balance.** Dette udgør at du har bedre kontrol over det elektriske værktøj, når uventede situationer opstår.
- f. **Brug egnet arbejdstøj. Bær ikke løst tøj eller smykker. Hold dit hår, tøj og handsker væk fra bevægelige dele.** Løstsiddende tøj, smykker eller langt hår kan blive fanget i bevægelige dele.
- g. **Hvis der kan monteres støvudsugnings- og opsamlingsudstyr, skal dette tilsluttes og benyttes korrekt.** Anvendelse af støvopsamlingsudstyr kan begrænse farer forårsaget af støv.
4. **Brug og vedligeholdelse af elværktøj**
- a. **Overbelast ikke elværktøjet. Brug det værktøj, der er bedst egnet til det arbejde, der skal udføres.** Værktøjet vil klare opgaven bedre og mere sikkert med den ydelse, som det er beregnet til.
- b. **Brug ikke elværktøjet, hvis afbryderkontakten er defekt.** Alt elektrisk værktøj, der ikke kan kontrolleres med kontakten, er farligt og skal repareres.
- c. **Træk stikket ud af stikkontakten og/eller batteriet inden indstilling, tilbehørsudskiftning eller opbevaring af elværktøjet.** Sådanne forebyggende sikkerhedsforanstaltninger mindsker risikoen for, at værktøjet startes utilsigtet.
- d. **Opbevar ubenyttet elværktøj uden for børns rækkevidde. Lad aldrig personer, der ikke er fortrolige med elværktøjet, eller som ikke har læst denne vejledning, benytte maskinen.** El-værktøj er farligt i hænderne på personer, som ikke er instrueret i brugen deraf.
- e. **Elværktøj skal vedligeholdes. Kontroller, om bevægelige dele er skæve og ikke sidder fast, og om delene er brækket eller beskadiget, så elværktøjets funktion påvirkes. Hvis det elektriske værktøj er beskadiget, skal det repareres før brug.** Mange ulykker er forårsaget af dårligt vedligeholdt værktøj.
- f. **Hold skæreværktøj skarpt og rent.** Ordentligt vedligeholdt skæreværktøj med skarpe skærekanter har mindre tilbøjelighed til at binde og er lettere at styre.
- g. **Brug elværktøjet, tilbehøret, indsatsværktøj osv. i overensstemmelse med disse instruktioner under hensyntagen til arbejdsforholdene og arbejdet, der skal udføres med værktøjet.** Brug af elektrisk værktøj til andre opgaver end dem, det er beregnet til, kan resultere i en farlig situation.

5. Service

- a. **Lad kun kvalificerede fagfolk reparere elværktøjet, og benyt kun originale reservedele.** Derved sikres det, at værktøjets driftssikkerhed opretholdes.

Yderligere sikkerhedsadvarsler for elværktøj



Advarsel! Sikkerhedsinstruktioner gældende for alle save

Skæreprocedurer

- Hold hænderne væk fra skæreområdet og klingens. Hold din anden hånd på ekstrahåndtaget eller på motorhuset.** Hvis begge hænder holder på saven, kan de ikke blive skåret af klingens.
- Ræk ikke ind under arbejdsemnet.** Skjoldet yder ingen beskyttelse mod den del af klingens, der er under materialet.
- Justér skæredybden til tykkelsen på arbejdsemnet.** Mindre end én hel tand på klingens må være synlig under materialet.
- Hold aldrig det emne, du saver i, i hånden eller over dine ben.** Arbejdsemnet skal fikseres på et stabilt underlag. Det er vigtigt at understøtte arbejdsemnet ordentligt for at minimere, at klingens binder eller tab af kontrol og personskade.
- Hold kun i el-værktøjets isolerede gribeblader, hvis der er risiko for, at det kommer i kontakt med skjulte ledninger eller dets egen ledning.** Ved kontakt med en strømførende ledning bliver elværktøjets blottagte metaldele også strømførende, så brugeren får stød.
- Brug et langsnitlæng eller en styreskinne, når der saves på langs.** Det øger nøjagtigheden og mindsker risikoen for, at klingens sætter sig fast.
- Brug altid klinger med den korrekte størrelse og form (diamant kontra rund) spændehuller.** Klinger, som ikke passer til det monterede hardware på saven, vil køre excentrisk og medføre tab af kontrol.
- Brug aldrig beskadigede eller ukorrekte klingspændeskiver eller bolte.** Klingspændeskiverne og boltene er blevet specielt designet til din sav til optimal ydeevne og driftssikkerhed.

Yderligere sikkerhedsinstruktioner for alle save

Årsager til tilbageslag og relaterede advarsler

- ◆ tilbageslag er en omgående reaktion på en savklinge, der er blokeret, binder eller sidder skævt, og medfører en ukontrolleret sav, som kører ud og ind af arbejdsemnet imod operatøren;
- ◆ når klingens er blokeret eller binder stramt, når skæringen lukker sammen, standser klingens, og motorreaktionen driver hurtigt;

- ◆ vis klingens bliver forvredet eller skævvredet i savsnittet, kan tænderne på det bagerste hjørne af klingens grave ind i træets overflade og medføre, at klingens arbejder sig op af snittet og springer tilbage imod operatøren.

Et tilbageslag opstår som følge af forkert brug eller ved misbrug af saven. Det kan undgås ved at følge nedenstående forholdsregler.

- Hold godt fast i saven med begge hænder, og anbring armene, så de kan holde saven i tilfælde af et tilbageslag. Anbring din krop på den ene side af klingens, men ikke på linje med klingens.** Tilbageslag kan få saven til at springe baglæns, men tilbageslagskræfterne kan styres af operatøren, hvis der tages korrekte forhåndsregler.
- Slip startknappen, og hold saven stille i materialet, indtil klingens er helt stoppet, hvis klingens sætter sig fast, eller der opstår nogen form for uregelmæssighed under arbejdet. Forsøg aldrig at fjerne saven fra arbejdet eller at trække saven tilbage, mens klingens er i bevægelse, da der ellers kan forekomme et tilbageslag.** Find ud af, hvorfor hjulet har sat sig fast, og træf passende forholdsregler, så det ikke kan ske igen.
- Når en sav genstartes i et arbejdsemne, centrér savklingens i snittet og kontrollér, at savtænderne ikke sidder fast i materialet.** Hvis savklingens sætter sig fast, kan den arbejde sig op, eller der kan opstå et tilbageslag fra materialet, når saven startes igen.
- Understøt lange paneler for at minimere risikoen for, at klingens sidder fast og for tilbageslag.** Større plader har en tendens til at bøje pga. deres vægt. Der skal placeres understøtninger under panelet på begge sider, tæt ved skærelinjen og tæt ved panelets hjørner.
- Brug ikke sløve eller beskadigede klinger.** Uskarpe klinger eller klinger, der ikke er sat rigtigt fast, giver en smal skærerille, som medfører friktion og bevirker, at klingens kan sætte sig fast, og at der kan opstå tilbageslag.
- Klangedybde og smigskårne regulerende låseudløser skal være strammet og sikret, før der foretages et snit.** Hvis klingens forskubber sig under arbejdet, kan den sætte sig fast, eller der kan opstå et tilbageslag.
- Vær især forsigtig ved savning i eksisterende vægge eller andre uoverskuelige områder.** Klingens, der skal dykke ned, kan skære genstande, som kan medføre tilbageslag.

Funktion af nederste skjold

- Kontrollér at den nederste klings beskyttelsesskærm er ordentligt lukket før hver anvendelse. Arbejd ikke med saven, hvis den nederste beskyttelsesskærm ikke kan bevæges frit og øjeblikkeligt kan omslutte klingens. Spænd eller bind aldrig den laveste beskyttelsesskærm i åben position.**

Hvis saven tabes ved et uheld, kan den nederste beskyttelsesskærm være bøjet. Hæv den nederste beskyttelsesskærm med tilbagetrækningshåndtaget og sørg for, at den kan bevæges frit og ikke rører ved klingens eller andre dele, i alle hjørner og dybder af snittet.

- b. Kontrollér, at den nederste beskyttelsesskærms fjeder fungerer. Hvis beskyttelsesskærmen og fjederen ikke virker korrekt, skal de serviceres før brug.** Den nederste beskyttelsesskærm kan virke træg på grund af ødelagte dele, klæbrige efterladenskaber eller opbygning af efterladenskaber.
- c. Det nederste skjold må kun trækkes ud manuelt i forbindelse med særlige snit, f.eks. "indsnit" og "kombinerede snit".** Hæv den nederste beskyttelsesskærm med tilbagetrækningshåndtaget, og lige så snart klingens skærer ind i materialet, skal den nederste beskyttelsesskærm udløses. Ved al anden savning bør den nederste beskyttelsesskærm køre automatisk.
- d. Kontrollér altid, at den laveste beskyttelsesskærm dækker klingens, før saven anbringes på bænken eller gulvet.** En ubeskyttet, roterende klinge kan selv uden motorkraft få saven til at køre baglæns og skære i de genstande, den kommer i kontakt med. Vær opmærksom på den tid, det tager for klingens at stoppe, efter der er slukket for kontakten.

Restrisici

Der kan opstå yderligere restrisici under brugen af værktøjet, som muligvis ikke behandles i de vedlagte sikkerhedsadvarsler. Disse risici kan opstå pga. forkert anvendelse, langvarig brug etc.

Selv ved overholdelse af relevante sikkerhedsforskrifter og anvendelse af sikkerhedsudstyr kan visse restrisici ikke undgås. Disse omfatter:

- ◆ Tilskadekomst forårsaget af berøring af roterende/bevægelige dele.
- ◆ Tilskadekomst forårsaget af udskiftning af dele, klinger eller tilbehør.
- ◆ Tilskadekomst forårsaget af langvarig brug af et værktøj. Husk at holde pause jævnligt ved brug af et værktøj i længere tid.
- ◆ Hørenedsættelse.
- ◆ Sundhedsrisici forårsaget af indånding af støv, der genereres ved brug af værktøjet (eksempel: arbejde med træ, især, eg, bøg og MDF.)

Savklinger

- ◆ Anvend ikke klinger med længere eller mindre diameter end anbefalet. For korrekt vurdering af klinger, se de tekniske data. Brug kun de klinger, der er angivet i denne manual, der opfylder EN 847-1.
- ◆ **Advarsel!** Benyt aldrig slibeskiver.

Andres sikkerhed

- ◆ Dette udstyr er ikke beregnet til anvendelse af personer (inklusive børn) med nedsatte fysiske, sensoriske eller mentale handicaps eller med mangel på erfaringer eller viden, medmindre de er under overvågning eller har fået instruktioner i brugen af udstyret af en person, der er ansvarlig for deres sikkerhed.
- ◆ Børn skal holdes under opsyn, så det sikres, at de ikke leger med værktøjet.

Vibration

De angivne værdier for udsendelse af vibration anført under de tekniske data og overensstemmelseserklæringen er målt i henhold til standardtestmetoden i EN 60745 og kan bruges til at sammenligne ét værktøj med et andet. Den angivne vibrationsmissionsværdi kan også bruges som en foreløbig vurdering af eksponeringen.

Advarsel! Værdien for vibrationsmission ved faktisk brug af elværktøjet kan afvige fra den angivne værdi afhængigt af måden, værktøjet anvendes på. Vibrationsniveauet kan overstige det angivne niveau.

I vurderingen af eksponeringen for vibration med henblik på fastsættelse af sikkerhedsforanstaltninger som krævet i 2002/44/EF til beskyttelse af personer, der jævnligt anvender elværktøj i deres arbejde, skal der tages hensyn til de faktiske betingelser under brugen, og måden værktøjet bruges på, herunder alle arbejdsscyklussens elementer, f.eks. perioder, hvor værktøjet er slukket, og hvor det kører i tomgang, tillige med startperioderne.

Mærkatere på værktøjet

Følgende symboler vises på værktøjet sammen med datokoder:



Advarsel! Brugeren skal læse brugervejledningen for at reducere risikoen for tilskadekomst.

Electricitet og sikkerhed



Dette værktøj er dobbelt isoleret, derfor er en jordledning ikke nødvendig. Kontrollér altid, at strømforsyningen svarer til spændingen på mærkepladen.

- ◆ Hvis netledningen beskadiges, skal den udskiftes af producenten eller et autoriseret Stanley FatMax-værksted, så farlige situationer undgås.

Funktioner

Dette værktøj er i besiddelse af nogle eller alle af de følgende funktioner.

1. Tænd/sluk-kontakt
2. Låseknop
3. Hovedhåndtag
4. Sekundært håndtag
5. Spindellåseknop
6. Sko
7. Savklinge
8. Beskyttelsesskærm til savklinge
9. Håndtag
10. Udtag til savsmuld

Samling

Advarsel! Sørg for at værktøjet er afbrudt, stikket taget ud og at savklingen er standset inden nogle af de følgende funktioner foretages.

På- og afmontering af en savklinge (fig. A)

Afmontering

- ◆ Hold spindellåseknappen (5) nedtrykket, og drej klingen, indtil spindellåsen aktiveres.
- ◆ Løsn og afmonter klingens holdeskruer (11) ved at dreje den mod uret med den medfølgende nøgle (12).
- ◆ Fjern den yderste spændeskive (13).
- ◆ Fjern savklingen (7).

Montering

- ◆ Anbring savklingen på den indvendige flange (14), idet det kontrolleres, at pilen på klingens peger i samme retning som pilen på værktøjet.
- ◆ Sæt den udvendige skive (13) på spindlen, så forhøjningen peger væk fra savklingen.
- ◆ Sæt klingens holdeskruer (11) ind i hullet.
- ◆ Hold spindellåseknappen (5) nedtrykket.
- ◆ Fastgør klingens holdeskruer ved at dreje den med uret med den medfølgende nøgle (12).

På- og afmontering af parallelanslaget (fig. B)

- ◆ Parallelanslaget bruges, når der skal saves en lige linje parallelt med materialets kant.

Montering

- ◆ Løsn spærreknappen (16).
- ◆ Før parallelanslaget (17) gennem åbningerne (18).
- ◆ Skub parallelanslaget i den ønskede position.
- ◆ Spænd spærreknappen fast.

Afmontering

- ◆ Løsn låseknappen.
- ◆ Træk parallelanslaget af værktøjet.

Anvendelse

Advarsel! Lad værktøjet arbejde i dets eget tempo. Det må ikke overbelastes.

Dette værktøj kan anvendes både med venstre eller højre hånd.

Justering af savvinklen (fig. C)

- ◆ Kontroller vha. en vinkellineal, at vinklen mellem savklingen og skoen er 90°. Juster som følger, hvis vinklen ikke er 90°:
- ◆ Løsn låseknappen (19) for at frigøre savskoen.
- ◆ Løsn låsemøtrikken (20) på justeringskruen (21).
- ◆ Skru justeringskruen ind eller ud for at opnå en vinkel på 90°.
- ◆ Tilspænd låsemøtrikken igen.
- ◆ Spænd spærreknappen fast for at holde savskoen på plads.

Justering af skæredybden (fig. D)

Skæredybden skal indstilles i overensstemmelse med materialets tykkelse. Den skal være ca. 2 mm tykkere.

- ◆ Løsn knappen (20) for at frigøre savskoen.
- ◆ Anbring savskoen (6) i den ønskede position. Den tilsvarende skæredybde kan aflæses på linealen (21).
- ◆ Spænd knappen fast for at holde savskoen på plads.

Justering af geringsvinklen (fig. E)

Dette værktøj kan indstilles til en skrå vinkel på mellem 0° og 45°.

- ◆ Løsn låseknappen (19) for at frigøre savskoen.
- ◆ Anbring savskoen (6) i den ønskede position. Den tilsvarende fæsvinkel kan aflæses på linealen (24).
- ◆ Spænd spærreknappen fast for at holde savskoen på plads.

Sådan tændes og slukkes værktøjet

- ◆ Sæt låseknappen (2) på oplåst position, og tryk på tænd/sluk-kontakten (1) for at tænde værktøjet.
- ◆ Sluk for værktøjet ved at slippe tænd/sluk-kontakten.

Savning

Hold altid værktøjet med begge hænder.

- ◆ Lad klingens løbe frit et par sekunder, inden du begynder at save.
- ◆ Tryk kun let med værktøjet, mens du skærer.
- ◆ Arbejd med skoen trykket mod materialet.

Bemærk: Vær omhyggelig med at sikre, at klingens spids ikke overophedes.

Brug af sigteanordningen (fig. F)

Dette værktøj er forsynet med en sigteanordning til brug, når der skal skæres lige (25).

- ◆ Juster sigteanordningen som beskrevet nedenfor.
- ◆ Anbring sigteanordningens venstre kant (25) ud for skærelinjen (26).

Støvopsamling

Der kræves en adapter for at slutte en støvsuger eller støvudsukker til værktøjet.

- ◆ Sæt støvudtagsadapteren i savens støvudtag (10).
- ◆ Sæt støvsugerslangen i adapteren.

Gode råd til optimal brug

- ◆ Brug altid den rigtige type savklinge til materialet og formålet.
- ◆ Hold altid værktøjet med begge hænder.
- ◆ Lad klingen løbe frit et par sekunder, inden du begynder at save.
- ◆ Tryk kun let med værktøjet, mens du skærer.
- ◆ Arbejd med skoen trykket mod materialet.
- ◆ Sav fra den side, hvor der må forekomme splinter, da det er umuligt at undgå, at oversiden af materialet splintrer langs skærelinjen.
- ◆ Anbring et stykke krydsfiner oven på materialet for at minimere splintringen, f.eks. når der saves i laminat.
- ◆ Understøt større plader for at minimere risikoen for, at klingen klemmes fast, og der opstår et tilbageslag. Større plader har en tendens til at bøje pga. deres vægt.
- ◆ Understøtningen skal anbringes under pladen på begge sider i nærheden af skærestedet og i nærheden af kanten på pladen, der skæres.
- ◆ Hold aldrig det emne, du saver i, i hånden eller over dine ben.
- ◆ Fastgør materialet til en stabil platform med klemmer. Det er vigtigt at understøtte arbejdsområdet ordentligt for at minimere, at klingen binder eller tab af kontrol og personskade.

Vedligehold

Dit Stanley FatMax-værktøj med eller uden ledning er beregnet til brug gennem lang tid med et minimum af vedligeholdelse. Vedvarende tilfredsstillende funktion er afhængig af, om værktøjet plejes korrekt og rengøres regelmæssigt.

Advarsel! Før udførelse af nogen form for vedligeholdelse på elværktøj med/uden ledning:

- ◆ Sluk, og tag apparatets/værktøjets stik ud af stikkontakten.
- ◆ Eller sluk, og fjern batteriet fra apparatet/værktøjet, hvis det har en separat batteripakke.
- ◆ Eller aflad batteriet helt, hvis det er indbygget, og sluk derefter.
- ◆ Træk opladeren ud af stikkontakten, før den rengøres. Laderen kræver ingen vedligeholdelse, men skal rengøres jævnligt.

- ◆ Rengør jævnligt apparatets/værktøjets/laderens ventilationshuller med en blød børste eller en tør klud.
- ◆ Rengør med jævne mellemrum motorhuset med en fugtig klud.
Der må ikke bruges skuremidler eller opløsningsmidler.
- ◆ Åbn jævnligt patronen og bank på den for at fjerne indvendigt støv (hvis monteret).

Miljøbeskyttelse



Særskilt bortskaffelse. Produkter og batterier mærket med dette symbol må ikke bortskaffes sammen med normalt husholdningsaffald.

Produkter og batterier indeholder materialer, der kan genindvindes eller genanvendes, hvilket reducerer efterspørgslen efter råvarer.

Genbrug venligst elektriske produkter og batterier i henhold til lokale bestemmelser. Yderligere informationer findes på www.2helpU.com

Tekniske data

		KFFMES301 (type 1)
Indgangsspænding	V_{Ac}	230
Effektindgang	W	1650
Tomgangshastighed	Min^{-1}	5500
Maks. skæredybde	mm	66
Klangediameter	mm	190
Klinge hul	mm	16
Klingens spidsbredde	mm	1.8
Vægt	kg	3,9 (4,31 med klinge)

Lydtrykniveau i henhold til EN 60745:

Lydtryk (L_{pA}) 89,0 dB(A), usikkerhed (K) 3 dB(A)

Lydeffekt (L_{WA}) 100 dB(A), usikkerhed (K) 3 dB(A)

Samlede værdier for vibration (triaksial vektorsum) i henhold til EN 60745:

Værdi for vibrationsemission ($a_{h,v}$) 2,6 m/s^2 , usikkerhedsfaktor(K) 1,5 m/s^2 (skæring i træ)

EF-overensstemmelseserklæring MASKINDIREKTIV



KFFMES301 - Rundsav

Stanley Europe erklærer, at produkterne beskrevet under "Tekniske data" er i overensstemmelse med: EN60745-1:2009+A11:2010, EN60745-2-5:2010

Disse produkter er endvidere i overensstemmelse med direktiv 2006/42/EC, 2014/30/EU og 2011/65/EU.

Kontakt Stanley Fat Max på nedenstående adresse, eller se vejledningens bagside for at få flere oplysninger.

Undertegnede er ansvarlig for kompilering af den tekniske fil og udsteder denne erklæring på vegne af Stanley Fat Max.



R. Laverick
Engineering Director
Stanley Fat Max Europe, 210 Bath Road, Slough,
Berkshire, SL1 3YD
Storbritannien
07/02/2018

Garanti

Stanley Europe er sikker på kvaliteten af sine produkter og giver forbrugere en garanti på 12 måneder fra købsdatoen. Garantien er et tillæg til forbrugers lovæssige rettigheder og påvirker ikke disse. Garantien er gyldig inden for medlemsstaterne af Den Europæiske Union og Det Europæiske Frihandelsområde. Når du gør krav på garantien, skal kravet være i overensstemmelse med Stanley Europes vilkår og betingelser, og du skal indsende dokumentation for købet til sælgeren eller til en autoriseret reparatør.

Vilkår og betingelser for Stanley Europes 1 års garanti og placeringen af dit nærmeste autoriserede serviceværksted kan fås på internettet på www.2helpU.com, eller ved at kontakte dit nærmeste Stanley FatMax-kontor på den adresse, der er angivet i denne vejledning.

Besøg venligst vores websted www.stanley.eu/3 for at registrere dit nye Stanley FatMax-produkt og modtage opdateringer om nye produkter og specielle tilbud.

Käyttötarkoitus

Stanley Fat Max KFFMES301 -pyörösaha on suunniteltu puun ja puutuotteiden sahaamiseen. Työkalu on tarkoitettu sekä ammatti- että yksityiskäyttöön.

Turvallisuusohjeet

Sähkötyökalujen yleiset turvavaroitukset



Varoitus! Lue kaikki turvallisuusvaroitukset ja ohjeet. Alla olevien varoitusten ja ohjeiden noudattamisen laiminlyönti saattaa johtaa sähköiskuun, tulipaloon ja/tai vakavaan loukkaantumiseen.

Säästä kaikki varoitukset ja ohjeet tulevaa käyttöä varten. Ohjeissa käytetty käsite "sähkötyökalu" tarkoittaa verkkokäyttöisiä sähkötyökaluja (verkkojohdolla varustettuja) ja akkukäyttöisiä sähkötyökaluja (ilman verkkojohtoa).

1. Työalueen turvallisuus

- Pidä työalue puhtaana ja varmista sen hyvä valaistus.** Onnettomuuksia sattuu herkemmin epäsiistissä tai huonosti valaistussa ympäristössä.
- Älä käytä sähkötyökalua räjähdysalttiissa ympäristössä, jossa on syttyvää nestettä, kaasua tai pölyä. Sähkötyökalujen aiheuttamat kipinät voivat sytyttää pölyn tai kaasut.
- Pidä lapset ja sivulliset loitolla sähkötyökalua käyttäessäsi.** Keskittymiskyvyn herpaantuminen voi aiheuttaa hallinnan menettämisen.

2. Sähköturvallisuus

- Sähkötyökalun pistokkeen on sovittava pistorasiaan.** Älä koskaan tee pistokkeeseen mitään muutoksia. Älä yhdistä maadoitettua sähkötyökalua jatkojohtoon. Sähköiskun vaara vähenee, jos pistokkeisiin ei tehdä muutoksia ja ne yhdistetään vain niille tarkoitettuihin pistorasioihin.
- Vältä koskettamasta maadoitettuja pintoja, kuten putkia, lämpöpattereita, liesiä tai jääkaappeja.** Voit saada sähköiskun, jos kehosi on maadoitettu.
- Älä altista sähkötyökalua sateelle tai kosteudelle. Sähkötyökaluun menevä vesi lisää sähköiskun vaaraa.
- Älä käsittele virtajohtoa kovakouraisesti. Älä kannata työkaluja sähköjohdosta tai vedä pistoketta pistorasiasta sähköjohdon avulla. **Pidä sähköjohto kaukana kuumuudesta, öljystä, terävistä reunoista tai liikkuvista osista.** Vaurioituneet tai soikeutuneet johdot lisäävät sähköiskun vaaraa.
- Käyttäessäsi sähkötyökalua ulkona käytä ainoastaan ulkokäyttöön soveltuvaa jatkojohtoa.** Ulkokäyttöön tarkoitettu sähköjohdon käyttäminen vähentää sähköiskun vaaraa.

- f. **Jos sähkötyökälu on välttämättä käytettävä kosteassa paikassa, käytä vikavirtasuojalla (RCD) suojattua virtalähdettä.** Tämä vähentää sähköiskun vaaraa.
3. **Henkilöturvallisuus**
- a. **Ole valpas, keskity työhön ja noudata tervettä järkeä sähkötyökäluun käytössä.** Älä käytä tätä työkalua ollessasi väsynyt tai alkoholin, huumeiden tai lääkkeiden vaikutuksen alaisena. Keskittymisen herpaantuminen hetkeksikin sähkötyökäluä käytettäessä voi aiheuttaa vakavan henkilövahingon.
- b. **Käytä henkilökohtaisia suojavarusteita. Käytä aina suojalaseja.** Hengityssuojaimen, liukumattomien turvajalkineiden, kypärän ja kuulosuojaimen käyttäminen vähentää henkilövahinkojen vaaraa.
- c. **Vältä tahatonta käynnistämistä. Varmista, että kytkin on OFF-asennossa, ennen kuin liität laitteen virtalähteeseen ja/tai akkuun, nostat laitteen tai kannat sitä.** Sähkötyökäluun kantaminen sormi virtakytkimellä lisää onnettomuusvaaraa.
- d. **Irrota mahdollinen säätö- tai kiintoavain ennen kuin käynnistät sähkötyökäluun.** Sähkötyökäluun pyöriivään osaan kiinni jäänyt avain voi johtaa loukkaantumiseen.
- e. **Älä kurkota. Huolehdi siitä, että sinulla on koko ajan tukeva jalansija ja hyvä tasapaino.** Näin voit hallita sähkötyökäluä paremmin odottamattomissa tilanteissa.
- f. **Käytä tarkoituksen soveltuvia vaatteita.** Älä käytä löysiä vaatteita tai koruja. **Pidä hiukset, vaatteet ja kädet loitolla liikkuvista osista.** Löysät vaatteet, korut tai pitkät hiukset voivat tarttua liikkuviin osiin.
- g. **Jos työkalun voi liittää polynimuriin, tarkista, että liitos on tehty asianmukaisesti ja että laitteita käytetään oikealla tavalla.** Pölyn ottaminen talteen voi vähentää pölyn aiheuttamia vaaroja.
4. **Sähkötyökälujen käyttö ja hoito**
- a. **Älä ylikuormita sähkötyökäluä. Valitse käyttötarkoituksen kannalta oikea sähkötyökälu.** Sähkötyökälu toimii paremmin ja turvallisemmin, kun sitä käytetään sille suunniteltuun käyttötarkoitukseen.
- b. **Älä käytä sähkötyökäluä, jota ei voida käynnistää ja pysäyttää virtakytkimestä.** Jos sähkötyökäluä ei voi hallita kytkimen avulla, se on vaarallinen ja se on korjattava.
- c. **Irrota pistotulppa pistorasiasta ja/tai akku laitteesta ennen kuin suoritat säätöjä, vaihdat tarvikkeita tai siirrat sähkötyökäluun varastoitavaksi.** Näin voit vähentää vahingossa käynnistymisen aiheuttaman henkilövahingon vaaraa.
- d. **Säilytä sähkötyökäluet poissa lasten ulottuvilta, kun niitä ei käytetä.** Älä anna sähkötyökäluä sellaisen henkilön käyttöön, joka ei tunne sitä tai joka ei ole tutustunut tähän käyttöohjeeseen.

Sähkötyökäluet ovat vaarallisia kouluttamattomien käyttäjien käsissä.

- e. **Hoida sähkötyökäluasi huolella. Tarkista, että liikkuvat osat toimivat moitteettomasti ja etteivät ne ole puristuksessa.** Tarkista myös, ettei työkalussa ei ole murtuneita tai vahingoittuneita osia, jotka saattaisivat vaikuttaa haitallisesti sen toimintaan. Jos havaitset vaurioita, korjauta sähkötyökälu ennen niiden käyttämistä. Huonosti kunnossapidetyt sähkötyökäluet aiheuttavat onnettomuuksia.
- f. **Pidä leikkausterät terävinä ja puhtaina.** Kunnossa pidettyjen leikkaavien teräviä reunoja sisältävien työkalut todennäköisyys jumiutua vähenee, ja niitä on helpompi hallita.
- g. **Käytä sähkötyökäluja, tarvikkeita, vaihtoteriä yms. näiden ohjeiden mukaisesti. Ota tällöin huomioon työolosuhteet ja suoritettava toimenpide.** Jos sähkötyökäluä käytetään näiden ohjeiden vastaisesti, voi syntyä vaaratilanne.

5. Huolto

- a. **Korjauta sähkötyökälu koulutetulla ja ammattitaitoisella henkilöllä ja hyväksy korjauksiin vain alkuperäisiä varaosia.** Tämä varmistaa sähkötyökäluun turvallisuuden.

Sähkötyökälujen lisäturvavaroitukset



Varoitus! Turvaohjeet kaikille sahoille

Leikkausmenettelyt

- a. **Pidä kädet poissa leikkausalueelta ja terästä. Tartu toisella kädellä apukahvasta tai moottorikotelosta.** Jos tartut sahaan molemmin käsin, ne eivät pääse koskettamaan terää.
- b. **Älä kurota työkappaleen alle.** Suojus ei voi suojata sinua terältä työkappaleen alapuolella.
- c. **Säää leikkaussyvyys työkappaleen paksuuden mukaan.** Työkappaleen alapuolella tulee näkyä alle puolet terän hampaasta.
- d. **Älä koskaan kannattele leikattavaa kappaletta käsin tai pidä sitä jalkojen päällä.** Kiinnitä työkappale tukevalle alustalle. On tärkeää tukea työkappale oikein, jotta voitaisiin minimoida kehon vaarantuminen, terän juuttuminen kiinni tai hallinnan menettäminen.
- e. **Pitele sähkötyökäluä vain sen eristävästä tartuntakohtasta, kun teet työtä, jossa terä voi osua piilossa olevaan sähköjohtoon tai työkalun omaan virtajohtoon.** Kosketus jännitteisen johtimen kanssa voi tehdä myös työkalun paljaista metalliosista jännitteisiä ja aiheuttaa sähköiskun käyttäjälle.
- f. **Käytä halkaisusahauksessa aina halkaisusahausvastetta tai suoraa reunaohjainta.**

Tämä parantaa leikkauksen tarkkuutta ja vähentää terän jumutumisen vaaraa.

- g. **Käytä aina oikean kokoisia teriä, joissa on oikean muotoinen keskus (vinoneliö tai pyöreä).** Jos terä ei vastaa sahan asennuskiinnikkeitä, terä pyörii epäkeskeisesti aiheuttaen hallinnan menetyksen.
- h. Älä koskaan käytä vahingoittunutta tai vääranlaista terän aluslevyä tai pulttia. Terän aluslevyt ja pultit on suunniteltu tälle sahalle parasta suorituskykyä ja turvallista käyttöä silmällä pitäen.

Lisäturvallisuusohjeet kaikille sahoille

Takapotkun syyt ja siihen liittyvät varoitukset

- ◆ Takaisinisku on äkinäinen reaktio, kun sahanterä tarttuu kiinni tai on kohdistettu väärin, jolloin saha nousee hallitsemattomasti ylös työkappaleesta käyttäjää kohti.
- ◆ Kun sahanterä juuttuu tiukasti kiinni uurokseen, terä pysähtyy ja moottorin reaktio heittää sahan nopeasti takaisin käyttäjää kohti.
- ◆ Jos terä vääntyy tai kohdistuu väärin, terän takaosan hampaat voivat kaivautua puun yläpintaan ja aiheuttaa terän nousemisen ylös uuroksesta ja sahan hyppäämisen takaisin käyttäjää kohti.

Takaisku aiheutuu työkalun vääranlaisesta käytöstä ja/tai väärinistä työmenetelmistä tai työolosuhteista, jotka voidaan välttää seuraavilla varotoimenpiteillä.

- a. **Ota tukeva ote sahasta molemmin käsin ja pidä käsivarsi sellaisessa asennossa, että voit torjua takapotkuvoimat. Pidä vartalo jommallakummalla puolella terää, ei linjassa terän kanssa.** Takaisku voi saada sahan hyppäämään takaisin, mutta käyttäjä voi hallita takaiskun voimaa ottamalla huomioon oikeat varoitimet.
- b. **Vos terä on jumutumassa tai jos sahaaminen keskeytetään mistä tahansa syystä, päästä irti liipaisimesta äläkä liikuta sahaa työkappaleessa, kunnes terä on kokonaan pysähtynyt.** Älä koskaan yritä irrottaa sahaa työstettävästä materiaalista tai vetää sitä taaksepäin terän liikuessa, koska tällöin voi syntyä takaisku. Tutki terän juuttumisen syy ja suorita korjaustoimenpiteet.
- c. **Kun käynnistät sahan uudelleen työkappaleessa, keskitä terä uurttoon ja varmista, etteivät hampaat ole kiinni materiaalissa.** Jos sahanterä on puristuksessa, se saattaa työntyä ylös työkappaleesta tai aiheuttaa takapotkun sahan käynnistytksen yhteydessä.
- d. **Tue isot levyt terän juuttumisen ja takaiskun vaaran vähentämiseksi.** Suuret paneelit taipuvat usein notkolle omasta painostaan. Aseta tuki levyn alle molemmin puolin lähelle leikkauslinjaa ja lähelle levyn reunaa.

- e. Älä käytä tylsiä tai vioitteineita teriä. Teroittamattoman tai väärin asetetun terän sahaama leikkausura jää kapeaksi, ja siitä syntyvä ylimääräinen kitka saattaa aiheuttaa terän juuttumisen tai takapotkun.
- f. **Teräsyyvyyden ja -viistouden säädön lukitusvipujen tulee olla tiukasti kiinni ennen leikkaamiseen ryhtymistä.** Jos terän säädöt liikkuvat sahaamisen aikana, voi tapahtua jumutumisia tai takapotkuja.
- a. **Noudata erityistä varovaisuutta sahatessasi valmiiseen seinään tai muuhun tuntemattomaan paikkaan.** Esiin tunkeutuva terä voi kohdata vastuksen, joka aiheuttaa takaiskun.

Alasuojuksen toiminta

- a. **Tarkista alempi teräsuojus oikeaoppisen sulkeutumisen varmistamiseksi ennen jokaista käyttökertaa.** Älä käytä sahaa, jos alasuojus ei liiku vapaasti ja sulkeudu terän ympärille välittömästi. Älä purista tai sido alasuojusta avoimeen asentoon. Jos saha putoaa vahingossa, alasuojus voi taipua. Nosta alasuojus taakse vedettävällä kahvalla ja varmista, että suojus liikkuu vapaasti koskettamatta terää tai mitään muuta osaa missään kulmassa tai leikkaussyvytydessä.
- b. **Tarkista alasuojuksen jousen toiminta. Jos suojus ja sen jousi eivät toimi oikein, ne täytyy huoltaa ennen seuraavaa käyttöä.** Alasuojus voi toimia veltosti, koska sen osat ovat vaurioituneet, siinä on tahmeita jäämiä tai siihen on kertynyt likaa.
- c. **Alasuojusta tulee vetää käsin vain, jos ollaan tekemässä sukellusahauksia tai yhdistettyjä sahouksia.** Nosta alasuojusta taakse vedettävällä kahvalla ja heti kun terä uppoo materiaaliin, alasuojus täytyy vapauttaa. Kaikessa muussa sahouksessa alasuojuksen tulisi toimia automaattisesti.
- d. **Tarkista aina, että alasuojus peittää terän, ennen kuin asetat sahan työpöydälle tai lattialle.** Suojaamaton jälkikäyvä sahanterä kuljettaa sahaa taaksepäin ja sahaa kaiken, mikä osuu sen tielle. Ota huomioon aika, joka kuluu terän pysähtymiseen liipaisimen vapauttamisen jälkeen.

Muut riskit

Myös muut kuin turvavaroituksissa mainitut riskit ovat mahdollisia työkalua käytettäessä. Nämä riskit voivat liittyä muun muassa virheelliseen tai pitkäaikaiseen käyttöön.

Tiettyjä jäännösriskejä ei voi välttää, vaikka noudatat kaikkia turvamääräyksiä ja käytät turvalaitteita. Näitä ovat:

- ◆ Pyörivien tai liikkuvien osien koskettamisen aiheuttamat vahingot.
- ◆ Osia, teriä tai lisävarusteita vaihdettaessa aiheutuneet vahingot.
- ◆ Työkalun pitkäaikaisen käytön aiheuttamat vahingot.

Varmista, että pidät säännöllisesti taukoja työkalun pitkäaikaisen käytön aikana.

- ◆ Kuulon heikkeneminen.
- ◆ Työkalua käytettäessä (esimerkiksi puuta, erityisesti tammea, pyökkiä ja MDF-levyjä, käsiteltäessä) syntyneen pölyn sisäänhengityksen aiheuttamat terveysriskit).

Sahanterät

- ◆ Älä käytä teriä, joiden halkaisija on suosituksia suurempi tai pienempi. Katso terän sopivat tyyppi- ja mitat teknisistä tiedoista. Käytä vain ohjekirjassa ilmoitettuja teriä EN 847-1 -standardin mukaisesti.
- ◆ **Varoitus!** Älä koskaan käytä hiomalaikkoja.

Muiden henkilöiden turvallisuus

- ◆ Tämä laite ei ole tarkoitettu henkilöiden (mukaan lukien lapset) käytettäväksi, joiden fyysiset, sensoriset tai henkiset kyvyt tai kokemus ja tietämys ovat rajalliset. Heidän turvallisuudestaan tulee huolehtia heistä vastuussa oleva henkilö tai paikalla tulee olla henkilö, joka neuvoo miten laitetta tulee käyttää.
- ◆ Lapsia tulee valvoa ja varmistaa, että he eivät leiki laitteella.

Tärinä

Teknisissä tiedoissa ja vaatimustenmukaisuusvakuutuksessa ilmoitettu tärinäpäästöarvo on mitattu EN 60745 -standardin testausmenetelmän mukaisesti, ja arvoa voi käyttää työkalujen keskinäiseen vertailuun. Ilmoitettua tärinäpäästöarvoa voi käyttää myös altistumisen alustavaan arviointiin.

Varoitus! Sähkötyökalun käytön aikana mitattu todellinen tärinäpäästöarvo voi poiketa ilmoitetusta tärinäpäästöarvosta työkalun käyttötavan mukaan. Tärinäarvo voi olla ilmoitettua tasoa suurempi.

Kun tärinälle altistumista arvioidaan sen määrittämiseksi, mitä direktiivin 2002/44/EY mukaisia turvatoimenpiteitä vaaditaan sähkötyökaluja säännöllisesti käyttävien henkilöiden suojelemiseksi, tärinälle altistumisen arvioinnissa on otettava huomioon todelliset käyttöolosuhteet ja työkalun käyttötavat. Todellisen käytön lisäksi on kiinnitettävä huomiota myös siihen, milloin työkalu on sammutettuna tai se käy tyhjäkäynnillä.

Työkalun tarrat

Työkalussa on seuraavat symbolit sekä päivämääräkoodi:



Varoitus! Käyttäjän on luettava käyttöohje vahinkojen välttämiseksi.

Sähköturvallisuus



Tämä työkalu on kaksoiseristetty, joten erillistä maadoitusta ei tarvita. Tarkista aina, että verkkovirran jännite vastaa tyyppikilpeen merkittyä jännitettä.

- ◆ Jos virtajohto vahingoittuu, sen vaihtaminen on turvallisuusystävällisesti jätettävä valmistajan tai valtuutetun Stanley Fat Max -huoltoilijeen tehtäväksi.

Yleiskuvas

Tässä työkalussa on joitakin tai kaikki seuraavista ominaisuuksista.

1. Virtakytkin
2. Lukituksen vapautuspainike
3. Pääkahva
4. Lisäkahva
5. Karan lukituspainike
6. Kenkä
7. Sahanterä
8. Sahanterän suoja
9. Suojuksen lukitusvipu
10. Pölynpoistoaukko

Asennus

Varoitus! Ennen kuin yrität suorittaa mitään seuraavista toimenpiteistä, varmista, että työkalun virta on katkaistu, sähköpistoke on irrotettu sähköverkosta ja sahanterä on pysähtynyt.

Sahanterän poisto ja kiinnitys (kuva A)

Irrottaminen

- ◆ Pidä karan lukituspainiketta (5) painettuna ja kierrä terää, kunnes karalukko lukkiutuu.
- ◆ Löysää ja irrota terän kiinnitysruuvi (11) kiertämällä sitä vastapäivään koneen mukana toimitetulla avaimella (12).
- ◆ Poista ulompi aluslaatta (13).
- ◆ Irrota sahanterä (7).

Kiinnittäminen

- ◆ Aseta sahanterä sisemmän laipan (14) päälle ja tarkista, että terässä oleva nuoli osoittaa samaan suuntaan kuin koneessa oleva nuoli.
- ◆ Kiinnitä ulompi aluslaatta (13) karaan siten, että korotettu puoli osoittaa pois päin sahanterästä.
- ◆ Aseta terän kiinnitysruuvi (11) reikään.
- ◆ Pidä karan lukituspainike (5) painettuna.
- ◆ Kiristä terän kiinnitysruuvi kunnolla kiertämällä sitä myötäpäivään koneen mukana toimitetulla avaimella (12).

Sivuohjaimen kiinnitys ja poisto (kuva B)

- ◆ Sivuo hjainta käytetään, kun halutaan sahata suoraan työstökappaleen reunan suuntaisesti.

Kiinnittäminen

- ◆ Löysää lukitusnuppia (16).
- ◆ Työnnä sivuo hjain (17) aukkojen (18) läpi.
- ◆ Työnnä sivuo hjain haluamaasi kohtaan.
- ◆ Kiristä lukitusnuppi.

Irrottaminen

- ◆ Löysää lukitusnuppia.
- ◆ Irrota sivuo hjain työkalusta.

Käyttö

Varoitus! Anna työkalun käydä omaan tahtiinsa. Älä ylikuormita sitä.

Tätä konetta voidaan käyttää oikealla tai vasemmalla kädellä.

Sahauskulman säätäminen (kuva C)

- ◆ Tarkista kolmioviivainta käyttämällä, että sahanterän ja sahausjalan välinen kulma on 90°. Ellei kulma ole 90°, säädä sitä seuraavasti:
- ◆ Avaa sahausjalan lukitus löysäämällä lukitusnuppia (19).
- ◆ Löysää säätöruuvien (21) päällä olevia lukkomutteriä (20).
- ◆ Ruuvaa säätöruuvia sisään tai ulos 90° kulman aikaansaamiseksi.
- ◆ Kiristä lukkomutteri.
- ◆ Lukitse sahausjalka paikalleen kiristämällä lukitusnuppia.

Sahaussyvyyden säätö (kuva D)

Sahaussyvyys säädetään työstökappaleen paksuuden mukaisesti. Syvyyden tulee olla noin 2 mm enemmän kuin kappaleen paksuus.

- ◆ Avaa sahausjalan lukitus löysäämällä nuppia (20).
- ◆ Siirrä sahausjalka (6) haluamaasi asentoon. Lue leikkussyvyys asteikolta (21).
- ◆ Lukitse sahausjalka paikalleen kiristämällä nuppia.

Vinosahauskulman säätäminen (kuva E)

Tämän koneen vinosahauskulma voidaan säätää välille 0°–45°.

- ◆ Avaa sahausjalan lukitus löysäämällä lukitusnuppia (19).
- ◆ Siirrä sahausjalka (6) haluamaasi asentoon. Lue vinosahauskulma asteikolta (24).
- ◆ Lukitse sahausjalka paikalleen kiristämällä lukitusnuppia.

Käynnistäminen ja pysäyttäminen

- ◆ Käynnistä kone painamalla lukituspainike (2) avausasentoon ja paina virrankatkaisijaa (1).
- ◆ Sammuta laite vapauttamalla virtakytkin.

Sahaus

Pitele työkalua aina kahdella kädellä.

- ◆ Anna terän liikkua vapaasti muutaman sekunnin ajan, ennen kuin aloitat sahaamisen.
- ◆ Paina työkalua vain kevyesti, kun sahaat.
- ◆ Paina sahausjalkaa työkalua vasten.

Huomautus: Varo, että terän kärjet eivät pääse ylikuumentumaan.

Näköohjaimen käyttäminen (kuva F)

Kone on varustettu näköohjaimella suoraan sahausta (25) varten.

- ◆ Säädä näköohjain alla kuvatulla tavalla.
- ◆ Kohdista ohjaimen (25) vasen reuna sahauslinjaan (26).

Pölynpoisto

Pölynimurin tai pölynimulaitteen yhdistämiseksi laitteeseen tarvitaan sovitin.

- ◆ Aseta pölynimulaitteen sovitin pölynpoistoaukkoon (10).
- ◆ Kytke pölynimurin letku sovittimeen.

Vinkkejä parhaimman tuloksen saavuttamiseksi

- ◆ Käytä työstettävään materiaaliin soveltuvaa sahanterää, jolla saat haluamasi sahausjälen.
- ◆ Pitele työkalua aina kahdella kädellä.
- ◆ Anna terän liikkua vapaasti muutaman sekunnin ajan, ennen kuin aloitat sahaamisen.
- ◆ Paina työkalua vain kevyesti, kun sahaat.
- ◆ Paina sahausjalkaa työkalua vasten.
- ◆ Työstökappale voi lohkeilla sahattaessa. Sahaa siksi työstökappale se puoli päällimmäisenä, joka saa lohkeilla.
- ◆ Jos lohkeilun pitää olla mahdollisimman vähäistä, esim. sahattaessa laminaattia, kiinnitä pala vaneria työstökappaleen päälle.
- ◆ Kannattele suuria paneeleita terän jumiotumisen ja takapotkun riskin minimoimiseksi. Suuret paneelit taipuvat usein notkolle omasta painostaan.
- ◆ Levyt tulee tukea molemmilta puolilta, sekä sahanterän vierestä että leikattavan levyn reunoista.
- ◆ Älä koskaan kannattele leikattavaa kappaletta käsin tai pidä sitä jalkojen päällä.
- ◆ Kiinnitä työkalu puuristimien avulla tukevaan alustaan. On tärkeää tukea työkalua oikein, jotta voitaisiin minimoida kehon vaarantuminen, terän juuttuminen kiinni tai hallinnan menettäminen.

Huolto

Verkkojohdolla varustettu tai verkkojohdoton Stanley FatMax -laite/-työkalu on suunniteltu toimimaan mahdollisimman pitkään mahdollisimman vähällä huollolla. Oikea käsittely ja säännöllinen puhdistus varmistavat laitteen ongelmattoman toiminnan.

Varoitus! Ennen verkkojohdolla varustetun tai verkkojohdottoman sähkötyökalun huoltoa toimi seuraavasti:

- ◆ Sammuta laite/työkalu ja irrota se verkkovirrasta.
- ◆ Jos laitteessa/työkalussa on erillinen akku, sammuta laite/työkalu ja irrota sen akku.
- ◆ Jos akku on ehjä, käytä akku täysin loppuun ja sammuta laite sitten.
- ◆ Irrota laturi pistorasiasta ennen laturin puhdistamista. Laturi ei tarvitse säännöllisen puhdistamisen lisäksi mitään muuta huoltoa.
- ◆ Puhdista laitteen/työkalun/laturin ilma-aukot säännöllisesti pehmeällä harjalla tai kuivalla kangasliinalla.
- ◆ Puhdista moottorikotelo säännöllisesti kostealla liinalla. Älä käytä hankaavia tai liuotinpohjaisia puhdistusaineita.
- ◆ Avaa istukka säännöllisesti ja naputtele pöly pois sen sisästä (soveltuvin osin).

Ympäristönsuojelu



Toimita tämä laite erilliskeräykseen. Tällä symbolilla merkityitä tuotteita ja akkuja ei saa hävittää tavallisen kotitalousjätteen mukana.

Tuotteissa ja akuissa on materiaaleja, jotka voidaan ottaa talteen tai kierrättää uudelleen käyttöä varten.

Kierrätä sähkölaitteet ja akut paikallisten määräyksien mukaan. Lisätietoa on saatavilla osoitteessa www.2helpU.com

Tekniset tiedot

		KFFMES301 (Tyyppi 1)
Syöttöjännite	V_{Ac}	230
Ottoteho	W	1650
Kuormittamaton nopeus	Min ⁻¹	5500
Suurin sahausvyvyys	mm	66
Terän läpimitta	mm	190
Terän reikä	mm	16
Terän hampaan leveys	mm	1,8
Paino	kg	3,9 (4,31-hampaan terä)

Äänenpainetaso, määritetty EN 60745-standardin mukaan:

Äänenpaine (L_{pa}) 89,0 dB(A), epävarmuus (K) 3 dB(A)

Äänitehotaso (L_{wa}) 100 dB(A), epävarmuus (K) 3 dB(A)

Tärinän kokonaisarvot (vektorisumma) standardin EN 60745 mukaisesti:

Tärinäpäästöarvo (a_{w}) 2,6 m/s², epävarmuus (K) 1,5 m/s² (puun leikkaus)

EY-vaatimustenmukaisuusvakuutus KONEDIREKTIIVI



KFFMES301 - Pyörösaha

Stanley Europe ilmoittaa, että tuotteet, jotka on kuvattu kohdassa Tekniset tiedot, täyttävät seuraavien direktiivien vaatimukset:

EN60745-1:2009+A11:2010, EN60745-2-5:2010

Nämä tuotteet täyttävät myös direktiivien 2006/42/EY, 2014/30/EU ja 2011/65/EU vaatimukset.

Lisätietoja saa ottamalla yhteyttä Stanley Fat Max -yhtiöön seuraavaan osoitteeseen. Tiedot ovat myös käyttöoppaan takakannessa.

Allekirjoittaja vastaa teknisistä tiedoista ja antaa tämän vakuutuksen seuraavaan yhtiön puolesta:
Stanley Fat Max.

R. Laverick
Engineering Director
Stanley Fat Max Europe, 210 Bath Road, Slough,
Berkshire, SL1 3YD
Iso-Britannia
07.02.2018

Takuu

Stanley Europe on vakuuttanut tuotteidensa korkeasta laadusta ja tarjoaa kuluttajille 12 kuukauden takuun, joka astuu voimaan ostopäivänä. Takuu on lisäys kuluttajan lailisiin oikeuksiin eikä vaikuta niihin. Tämä takuu on voimassa kaikissa EU- ja ETA-maissa. Edellytyksenä takuun saamiselle on, että vaade täyttää Stanley Europen ehdot ja että ostaja toimittaa ostotositteen jälleenmyyjälle tai valtuutetulle huoltoilikeelle.

Stanley Europen yhden vuoden takuun ehdot ja lähimmän valtuutetun korjauspalvelun yhteystiedot ovat saatavilla osoitteessa www.2helpU.com tai ottamalla yhteyttä paikalliseen Stanley Fat Maxin toimipisteeseen tässä ohjekirjassa ilmoitetuihin osoitteisiin.

Käy verkkosivuillemme osoitteessa www.stanley.eu/3 ja rekisteröi uusi Stanley Fat Max -tuotteesi saadaksesi tietoa uusista tuotteista ja erikoistarjouksista.

Προβλεπόμενη χρήση

Το δισκοπρίονό σας Stanley Fat Max KFFMES301 έχει σχεδιαστεί για το πρίονισμα ξύλου και προϊόντων ξύλου. Αυτό το εργαλείο προορίζεται για επαγγελματική και ιδιωτική, μη επαγγελματική χρήση.

Οδηγίες ασφαλείας

Γενικές προειδοποιήσεις ασφαλείας για ηλεκτρικά εργαλεία



Προειδοποίηση! Διαβάστε όλες τις προειδοποιήσεις ασφαλείας και όλες τις οδηγίες. Η μη τήρηση των παρακάτω προειδοποιήσεων και οδηγιών μπορεί να προκαλέσει ηλεκτροπληξία, πυρκαγιά και/ή σοβαρές σωματικές βλάβες.

Φυλάξτε όλες τις προειδοποιήσεις και τις οδηγίες για μελλοντική αναφορά. Ο όρος "ηλεκτρικό εργαλείο" που χρησιμοποιείται σε όλες τις παρακάτω προειδοποιήσεις, αναφέρεται είτε σε εργαλείο που λειτουργεί με ρεύμα δικτύου (ρεύματος - με καλώδιο) είτε σε εργαλείο που λειτουργεί με μπαταρία (μπαταρίας - χωρίς καλώδιο).

1. Ασφάλεια χώρου εργασίας

- α. **Διατηρείτε το χώρο εργασίας καθαρό και καλά φωτισμένο.** Οι ατακτοποιητοί ή σκοτεινοί χώροι γίνονται αιτίες ατυχημάτων.
- β. **Μη χρησιμοποιείτε ηλεκτρικά εργαλεία σε περιβάλλον όπου υπάρχει κίνδυνος έκρηξης, όπως με παρουσία εύφλεκτων υγρών, αερίων ή σκόνης.** Τα ηλεκτρικά εργαλεία παράγουν σπινθήρες που μπορεί να προκαλέσουν ανάφλεξη της σκόνης ή των αναθυμιάσεων.
- γ. **Όταν χρησιμοποιείτε ηλεκτρικό εργαλείο, κρατάτε μακριά τα παιδιά και άλλα άτομα.** Παράγοντες που αποσπούν την προσοχή μπορεί να σας κάνουν να χάσετε τον έλεγχο.

2. Ασφαλής χρήση ηλεκτρικού ρεύματος

- α. **Τα φισ των ηλεκτρικών εργαλείων πρέπει να ταιριάζουν στην πρίζα. Σε καμία περίπτωση μην τροποποιήσετε το φισ, με κανένα τρόπο. Μη χρησιμοποιείτε φισ προσαρμογής με γειωμένα ηλεκτρικά εργαλεία.** Τα φισ που δεν έχουν υποστεί τροποποιήσεις και οι κατάλληλες πρίζες μειώνουν τον κίνδυνο ηλεκτροπληξίας.
- β. **Αποφεύγετε την επαφή του σώματός σας με γειωμένες επιφάνειες, όπως σωλήνες, calorifέρ, κουζίνες και ψυγεία.** Υπάρχει αυξημένος κίνδυνος ηλεκτροπληξίας αν το σώμα σας είναι γειωμένο.
- γ. **Μην εκθέτετε τα ηλεκτρικά εργαλεία σε βροχή ή υγρασία.** Η εισχώρηση νερού σε ηλεκτρικό εργαλείο αυξάνει τον κίνδυνο ηλεκτροπληξίας.

- δ. **Μην κακομεταχειρίζεστε το καλώδιο. Μη χρησιμοποιείτε ποτέ το καλώδιο για να μεταφέρετε το ηλεκτρικό εργαλείο, να το τραβήξετε ή να το αποσυνδέσετε από την πρίζα. Κρατάτε το καλώδιο μακριά από θερμότητα, λάδια, αιχμηρά άκρα ή κινούμενα μέρη.** Τα καλώδια που έχουν υποστεί ζημιά ή είναι μπερδεμένα αυξάνουν τον κίνδυνο ηλεκτροπληξίας.
- ε. **Όταν χρησιμοποιείτε ηλεκτρικό εργαλείο σε εξωτερικούς χώρους, να χρησιμοποιείτε πάντοτε καλώδιο επέκτασης κατάλληλο για χρήση σε εξωτερικούς χώρους.** Η χρήση καλωδίου κατάλληλου για εργασία σε εξωτερικούς χώρους μειώνει τον κίνδυνο ηλεκτροπληξίας.
- στ. **Εάν είναι αναπόφευκτη η χρήση ενός ηλεκτρικού εργαλείου σε συνθήκες υγρασίας, χρησιμοποιήστε μια διάταξη προστασίας από ρεύμα διαρροής (RCD).** Η χρήση μιας διάταξης RCD μειώνει τον κίνδυνο ηλεκτροπληξίας.

3. Προσωπική ασφάλεια

- α. **Όταν χρησιμοποιείτε ηλεκτρικό εργαλείο, να είστε σε εγρήγορση, να συγκεντρώνετε στην εργασία που κάνετε και να επιστρατεύετε την κοινή λογική. Μη χρησιμοποιείτε ηλεκτρικό εργαλείο όταν είστε κουρασμένος/ή ή υπό την επήρεια ναρκωτικών, οινοπνεύματος ή φαρμακευτικής αγωγής.** Μια στιγμή απροσεχίας κατά τη χρήση ηλεκτρικών εργαλείων μπορεί να προκαλέσει σοβαρό τραυματισμό.
- β. **Να χρησιμοποιείτε ατομικό εξοπλισμό προστασίας. Πάντα φοράτε προστασία ματιών.** Ο εξοπλισμός προστασίας, όπως μάσκα κατά της σκόνης, αντιολισθητικά παπούτσια ασφαλείας, κράνος ή προστασία ακοής, όταν χρησιμοποιείται για τις κατάλληλες συνθήκες, θα μειώσει τους τραυματισμούς και τις σωματικές βλάβες.
- γ. **Αποτρέπετε την ακούσια ενεργοποίηση. Βεβαιωθείτε ότι ο διακόπτης βρίσκεται στη θέση απενεργοποίησης πριν συνδέσετε το εργαλείο στην πηγή ρεύματος και/ή τοποθετήσετε το πακέτο μπαταρίας, καθώς και πριν πάρετε στα χέρια σας ή μεταφέρετε το εργαλείο.** Η μεταφορά ηλεκτρικών εργαλείων με το δάχτυλο πάνω στο διακόπτη ή η σύνδεση στο ρεύμα ηλεκτρικών εργαλείων με το διακόπτη στη θέση ενεργοποίησης, ενέχει κινδύνους ατυχημάτων.
- δ. **Πριν θέσετε το ηλεκτρικό εργαλείο σε λειτουργία, αφαιρέστε τυχόν εργαλεία ή κλειδιά ρύθμισης.** Αν παραμείνει εργαλείο ή κλειδί ρύθμισης συνδεδεμένο σε περιστρεφόμενο εξάρτημα του ηλεκτρικού εργαλείου, αυτό μπορεί να έχει ως αποτέλεσμα τραυματισμό ατόμων.
- ε. **Μην τεντώνετε για να φθάσετε. Διατηρείτε πάντα σταθερή στήριξη στα πόδια σας και καλή ισορροπία.** Έτσι μπορείτε να έχετε καλύτερο έλεγχο του ηλεκτρικού εργαλείου σε μη αναμενόμενες καταστάσεις.

στ. Φοράτε κατάλληλη ενδυμασία εργασίας. Μη φοράτε ρούχα με χαλαρή εφαρμογή ούτε κοσμήματα. Κρατάτε τα μαλλιά, τα ρούχα και τα γάντια σας μακριά από κινούμενα μέρη. Τα χαλαρά ρούχα, τα κοσμήματα και τα μακριά μαλλιά μπορούν να πιαστούν σε κινούμενα μέρη.

ζ. Αν παρέχονται διατάξεις για τη σύνδεση συστημάτων απομάκρυνσης και συλλογής της σκόνης, βεβαιωθείτε ότι αυτές είναι συνδεδεμένες και χρησιμοποιούνται κατάλληλα. Η χρήση διατάξεων συλλογής της σκόνης μπορεί να μειώσει τους κινδύνους που προέρχονται από τη σκόνη.

4. Χρήση και φροντίδα ηλεκτρικών εργαλείων

α. Μην υπερφορτώνετε το ηλεκτρικό εργαλείο.

Χρησιμοποιείτε το σωστό ηλεκτρικό εργαλείο, ανάλογα με την εφαρμογή. Το σωστό ηλεκτρικό εργαλείο θα εκτελέσει την εργασία καλύτερα και ασφαλέστερα, με την ένταση χρήσης για την οποία σχεδιάστηκε.

β. Μη χρησιμοποιήσετε το ηλεκτρικό εργαλείο αν ο διακόπτης του δεν μπορεί να ενεργοποιηθεί και απενεργοποιηθεί. Ένα ηλεκτρικό εργαλείο του οποίου η λειτουργία δεν μπορεί να ελεγχθεί με το διακόπτη είναι επικίνδυνο και πρέπει να επισκευαστεί.

γ. Αποσυνδέστε το φις από την πηγή ρεύματος και/ή το πακέτο μπαταρίας από το ηλεκτρικό εργαλείο, πριν διεξάγετε οποιαδήποτε ρύθμιση, αλλαγή εξαρτήματος ή όταν πρόκειται να αποθηκεύσετε το ηλεκτρικό εργαλείο. Τέτοια προληπτικά μέτρα ασφαλείας μειώνουν το κίνδυνο αθέλητης εκκίνησης του ηλεκτρικού εργαλείου.

δ. Να φυλάσσετε μακριά από παιδιά τα ηλεκτρικά εργαλεία που δεν χρησιμοποιείτε. Μην αφήνετε να χρησιμοποιήσουν το ηλεκτρικό εργαλείο άτομα που δεν είναι εξοικειωμένα με αυτό ή άτομα που δεν έχουν διαβάσει αυτές τις οδηγίες χρήσης. Τα ηλεκτρικά εργαλεία είναι επικίνδυνα στα χέρια μη εκπαιδευμένων χρηστών.

ε. Να συντηρείτε τα ηλεκτρικά εργαλεία. Ελέγχετε για προβλήματα υπερθέρμανσης ή για μάγκωμα των κινούμενων εξαρτημάτων, θραύση εξαρτημάτων, καθώς και για οποιοδήποτε άλλο πρόβλημα μπορεί να επηρεάσει τη λειτουργία των ηλεκτρικών εργαλείων. Αν το ηλεκτρικό εργαλείο έχει υποστεί ζημιά, φροντίστε να επισκευαστεί πριν το χρησιμοποιήσετε. Η ανεπαρκής συντήρηση των ηλεκτρικών εργαλείων αποτελεί αιτία πολλών ατυχημάτων.

στ. Διατηρείτε τα κοπτικά εργαλεία κοφτερά και καθαρά.

Τα κοπτικά εργαλεία με κοφτερές κοπτικές αιχμές που συντηρούνται σωστά έχουν λιγότερες πιθανότητες να μαγκώσουν και ελέγχονται ευκολότερα.

ζ. Να χρησιμοποιείτε το ηλεκτρικό εργαλείο, τα αξεσουάρ και τις μύτες των εργαλείων κλπ.

σύμφωνα με τις παρούσες οδηγίες, λαμβάνοντας υπόψη σας τις συνθήκες εργασίας και την εργασία που θέλετε να εκτελέσετε. Η χρήση του ηλεκτρικού εργαλείου για εργασίες διαφορετικές από τις προβλεπόμενες θα μπορούσε να οδηγήσει σε επικίνδυνη κατάσταση.

5. Σέρβις

α. Το σέρβις του ηλεκτρικού σας εργαλείου πρέπει να το αναλαμβάνει έμπειρος τεχνικός που θα χρησιμοποιεί μόνο γνήσια ανταλλακτικά. Έτσι θα εξασφαλίσετε τη διατήρηση της ασφάλειας του ηλεκτρικού εργαλείου.

Πρόσθετες προειδοποιήσεις ασφαλείας για ηλεκτρικά εργαλεία



Προειδοποίηση! Οδηγίες ασφαλείας για όλα τα πριόνια

Διαδικασίες κοπής

α. Κρατάτε τα χέρια σας μακριά από την περιοχή κοπής και τη λεπίδα. Κρατάτε το δεύτερο χέρι σας πάνω στη βοηθητική λαβή ή στο περίβλημα του μοτέρ. Αν και τα δύο σας χέρια κρατούν το πριόνι, δεν μπορούν να κοπούν από τη λεπίδα.

β. Μην περνάτε κανένα μέρος του σώματός σας κάτω από το τεμάχιο εργασίας. Ο προφυλακτήρας δεν μπορεί να σας προστατεύσει από τη λεπίδα κάτω από το τεμάχιο εργασίας.

γ. Ρυθμίζετε το βάθος κοπής σύμφωνα με το πάχος του τεμαχίου εργασίας. Κάτω από το τεμάχιο εργασίας θα πρέπει να φαίνεται λιγότερο από ένα ολόκληρο δόντι της λεπίδας.

δ. Ποτέ μην κρατάτε το αντικείμενο που κόβετε με τα χέρια σας ή πάνω στα πόδια σας. Στερεώνετε το τεμάχιο εργασίας σε ένα σταθερό υπόβαθρο. Είναι σημαντικό να υποστηρίζετε σωστά το τεμάχιο εργασίας, για ελαχιστοποίηση της έκθεσης του σώματος, του μαγκώματος της λεπίδας ή της απώλειας ελέγχου.

ε. Κρατάτε το ηλεκτρικό εργαλείο μόνο από τις μονωμένες επιφάνειες συγκράτησης, όταν εκτελείτε κάποια εργασία κατά την οποία το εργαλείο κοπής μπορεί να έρθει σε επαφή με κρυμμένα καλώδια ή με το ίδιο του το καλώδιο. Η επαφή με ένα καλώδιο υπό τάση θα θέσει και τα μεταλλικά μέρη του ηλεκτρικού εργαλείου υπό τάση και μπορεί να προκαλέσει ηλεκτροπληξία στο χειριστή.

στ. Όταν εκτελείτε διαμήκη κοπή, πάντα χρησιμοποιείτε οδηγό κοπής ή έναν κανόνα. Με τον τρόπο αυτό η κοπή είναι ακριβέστερη και ελαττώνεται η πιθανότητα να μαγκώσει η λεπίδα.

ζ. Πάντα χρησιμοποιείτε λεπίδες με σωστό μέγεθος και σχήμα οπών άξονα (σχήματος διαμαντιού ή κύκλου).

Λεπίδες που δεν ταιριάζουν με τα υλικά σπρέωσης στο πριόνι θα κινούνται εκτός κεντραρίσματος, προκαλώντας απώλεια ελέγχου.

η. Ποτέ μη χρησιμοποιείτε ροδέλες ή μπουλόνι λεπίδας που έχουν υποστεί ζημιά ή είναι ακατάλληλα.

Οι ροδέλες και το μπουλόνι της λεπίδας έχουν σχεδιαστεί ειδικά για το πριόνι σας, για βέλτιστη απόδοση και ασφάλεια λειτουργίας.

Περαιτέρω οδηγίες ασφαλείας για όλα τα πριόνια

Απίες ανάδρασης και σχετικές προειδοποιήσεις

- ◆ Η ανάδραση είναι η απότομη αντίδραση σε λεπίδα πριονιού που έχει σφηνώσει, μαγκώσει ή ευθυγραμμιστεί λανθασμένα, με αποτέλεσμα ανύψωση του πριονιού έξω από το τεμάχιο εργασίας προς την κατεύθυνση του χειριστή.
- ◆ Όταν η λεπίδα έχει σφηνώσει ή μαγκώσει λόγω κλεισίματος της εντομής, η λεπίδα σταματά να περιστρέφεται και η αντίδραση του μοτέρ κατευθύνει τη μονάδα ταχύτητα προς τα πίσω στο χειριστή.
- ◆ Αν η λεπίδα στραβώσει ή ευθυγραμμιστεί λάθος μέσα στην εντομή, τα δόντια στο πίσω άκρο της λεπίδας μπορεί να εισχωρήσουν στην πάνω επιφάνεια του ξύλου με αποτέλεσμα η λεπίδα να βγει από την εντομή και να αναπηδήσει πίσω προς το χειριστή.

Η ανάδραση είναι το αποτέλεσμα κακής χρήσης του πριονιού και/ή λανθασμένων διαδικασιών ή συνθηκών χειρισμού και μπορεί να αποφευχθεί με τη λήψη κατάλληλων μέτρων προφύλαξης, όπως αναφέρεται πιο κάτω.

- α. Κρατήστε το εργαλείο γερά και με τα δύο χέρια σας και τοποθετήστε τους βραχιόνες σας έτσι ώστε να αντιδρούν στις δυνάμεις ανάδρασης.** Τοποθετήστε το σώμα σας σε μία από τις δύο πλευρές του πριονιού, αλλά όχι σε ευθεία με τη λεπίδα. Η ανάδραση θα μπορούσε να προκαλέσει αναπήδηση του πριονιού προς τα πίσω, αλλά οι δυνάμεις ανάδρασης μπορούν να ελεγχθούν από το χειριστή, αν ληφθούν κατάλληλα μέτρα προφύλαξης.
- β. Αν μαγκώσει η λεπίδα, ή σε περίπτωση διακοπής της κοπής για οποιονδήποτε λόγο, αφήστε τη σκανδάλη και κρατήστε το πριόνι ακίνητο μέσα στο αντικείμενο μέχρι να σταματήσει τελείως η λεπίδα. Ποτέ μην επιχειρήσετε να αφαιρέσετε το πριόνι από το τεμάχιο εργασίας ή να τραβήξετε προς τα πίσω το πριόνι ενώ κινείται η λεπίδα, αλλιώς μπορεί να προκληθεί ανάδραση.** Διερευνήστε και πάρτε διορθωτικά μέτρα για να απαλείψετε το αίτιο του μαγκώματος της λεπίδας.
- γ. Όταν ξεκινάτε πάλι τη λειτουργία ενός πριονιού μέσα στο τεμάχιο εργασίας, κεντράρετε τη λεπίδα πριονιού στην εντομή και ελέγξτε ότι τα δόντια του πριονιού δεν έχουν εισχωρήσει στο υλικό.**

Αν η λεπίδα μαγκώνει, ενδέχεται να κινηθεί προς τα πάνω ή λόγω ανάδρασης έξω από το τεμάχιο εργασίας κατά την επανεκκίνηση του πριονιού.

- δ. Υποστηρίξτε μεγάλα φύλλα υλικού για να ελαχιστοποιήσετε τον κίνδυνο να σφηνώσει η λεπίδα και να προκληθεί ανάδραση. Τα μεγάλα φύλλα υλικού έχουν την τάση να κάμπτονται από το ίδιο τους το βάρος.** Υποστηρίγματα πρέπει να τοποθετούνται κάτω από το φύλλο και στις δύο πλευρές, κοντά στη γραμμή κοπής και κοντά στην άκρη του φύλλου.
- ε. Μη χρησιμοποιείτε λεπίδες που είναι στομωμένες ή έχουν υποστεί ζημιά.** Οι ατρόχιστες ή ακατάλληλα ρυθμισμένες λεπίδες παράγουν στενή εντομή, η οποία προκαλεί υπερβολική τριβή, μάγκωμα της λεπίδας και ανάδραση.
- στ. Οι μοχλοί ασφάλισης ρύθμισης βάθους λεπίδας και φαλτσογωνιάς πρέπει να είναι σφιγμένοι και καλά στερεωμένοι πριν κάνετε μια κοπή.** Αν η ρύθμιση της λεπίδας αλλάξει κατά την κοπή, μπορεί να προκληθεί μάγκωμα και ανάδραση.
- α. Να είστε εξαιρετικά προσεκτικοί όταν δημιουργείτε εσωτερική κοπή σε υπάρχοντες τοίχους ή άλλες τυφλές περιοχές.** Η προεξέχουσα λεπίδα μπορεί να κόψει αντικείμενα που μπορούν να προκαλέσουν ανάδραση.

Λειτουργία κάτω προφυλακτήρα

- α. Ελέγχετε πριν από κάθε χρήση ότι κλείνει σωστά ο κάτω προφυλακτήρας. Μη χρησιμοποιήσετε το πριόνι αν ο κάτω προφυλακτήρας δεν κινείται ελεύθερα και δεν κλείνει άμεσα. Ποτέ μη συσφίξετε ή δέσετε τον κάτω προφυλακτήρα στην ανοικτή θέση. Αν πέσει κατά λάθος το πριόνι, μπορεί να στραβώσει ο κάτω προφυλακτήρας.** Ανυψώστε τον κάτω προφυλακτήρα με τη λαβή ανάσυρσης και βεβαιωθείτε ότι κινείται ελεύθερα και δεν έρχεται σε επαφή με τη λεπίδα ή οποιοδήποτε άλλο μέρος του εργαλείου, σε όλες τις γωνίες και όλα τα βάρη κοπής.
- β. Ελέγξτε τη λειτουργία του ελατηρίου του κάτω προφυλακτήρα. Αν ο προφυλακτήρας και το ελατήριο δεν λειτουργούν σωστά, πρέπει να επισκευαστούν πριν τη χρήση.** Ο κάτω προφυλακτήρας μπορεί να λειτουργεί βραδυκίνητα λόγω ζημιάς σε εξαρτήματα, λόγω κολλωδών αποθέσεων ή συσσωρεύσεων υπολειμμάτων.
- γ. Ο κάτω προφυλακτήρας μπορεί να αποσύρεται χειροκίνητα μόνο για ειδικές κοπές όπως “κοπές βύθισης” και “σύνθετες κοπές”.** Ανυψώστε τον κάτω προφυλακτήρα από τη λαβή ανάσυρσης και μόλις η λεπίδα εισέλθει στο υλικό, ο κάτω προφυλακτήρας πρέπει να απελευθερωθεί. Για όλες τις άλλες κοπές, ο κάτω προφυλακτήρας θα πρέπει να λειτουργεί αυτόματα.

δ. Πάντα να προσέχετε ότι ο κάτω προφυλακτήρας καλύπτει τη λεπίδα πριν αφήσετε το πριόνι πάνω σε πάγκο ή δάπεδο. Μια απροσάτευτη λεπίδα που περιστρέφεται μέχρι να σταματήσει, θα προκαλέσει οπισθοδρόμηση του πριονιού, που θα κόψει οτιδήποτε βρεθεί στην πορεία του. Να έχετε υπόψη σας το χρόνο που χρειάζεται για να σταματήσει η λεπίδα μετά την απελευθέρωση του διακόπτη.

Υπολειπόμενοι κίνδυνοι.

Κατά τη χρήση του εργαλείου μπορεί να δημιουργηθούν πρόσθετοι υπολειπόμενοι κίνδυνοι, οι οποίοι ενδέχεται να μη συμπεριλαμβάνονται στις προειδοποιήσεις ασφαλείας που εσωκλείονται. Αυτοί οι κίνδυνοι μπορεί να προκληθούν από κακή χρήση, παρατεταμένη χρήση κλπ.

Παρά την εφαρμογή των σχετικών κανονισμών ασφαλείας και τη χρήση διατάξεων ασφαλείας, ορισμένοι υπολειπόμενοι κίνδυνοι δεν είναι δυνατό να αποφευχθούν. Σ' αυτούς περιλαμβάνονται:

- ◆ Τραυματισμοί από επαφή με οποιαδήποτε περιστρεφόμενα/κινούμενα μέρη.
- ◆ Τραυματισμοί κατά την αλλαγή οπωσδήποτε εξαρτημάτων, λεπίδων ή αξεσουάρ.
- ◆ Σωματικές βλάβες από παρατεταμένη χρήση εργαλείου. Όταν χρησιμοποιείτε οποιοδήποτε εργαλείο για παρατεταμένα χρονικά διαστήματα, μην παραλείπετε με κανένα τρόπο να κάνετε τακτικά διαλείμματα.
- ◆ Βλάβη της ακοής.
- ◆ Κίνδυνοι για την υγεία λόγω εισπνοής σκόνης που αναπτύσσεται κατά τη χρήση του εργαλείου σας (παράδειγμα: εργασία με ξύλο, ειδικά βελανιδιά, οξιά και MDF.)

Λεπίδες πριονιού

- ◆ Μη χρησιμοποιείτε λεπίδες μεγαλύτερης ή μικρότερης διαμέτρου από τη συνιστώμενη. Για τη σωστή διαβάθμιση της λεπίδας ανατρέξτε στα τεχνικά χαρακτηριστικά. Χρησιμοποιείτε μόνο τις λεπίδες που προβλέπονται στο παρόν εγχειρίδιο οδηγιών, σε συμμόρφωση με το πρότυπο EN 847-1.
- ◆ Προειδοποίηση! Ποτέ μην χρησιμοποιείτε δίσκους λείανσης.

Ασφάλεια τρίτων

- ◆ Η συσκευή αυτή δεν προορίζεται για χρήση από άτομα (περιλαμβανομένων παιδιών) με μειωμένες σωματικές, αισθητηριακές ή πνευματικές ικανότητες, ή με έλλειψη εμπειρίας και γνώσης, εκτός αν σε αυτά έχει παρασχεθεί από άτομο υπεύθυνο για την ασφάλειά τους επίβλεψη ή εκπαίδευση σχετικά με τη χρήση της συσκευής.
- ◆ Τα παιδιά θα πρέπει να βρίσκονται υπό επίβλεψη ώστε να διασφαλίζεται ότι δεν παίζουν με τη συσκευή.

Κραδασμοί

Η δηλωμένη τιμή εκπομπής κραδασμών που αναφέρεται στα τεχνικά χαρακτηριστικά και στη δήλωση συμμόρφωσης έχει μετρηθεί σύμφωνα με τυποποιημένη μέθοδο δοκιμής που προβλέπεται από το πρότυπο EN 60745 και μπορεί να χρησιμοποιηθεί για τη σύγκριση ενός εργαλείου με ένα άλλο. Η δηλωμένη τιμή εκπομπής κραδασμών μπορεί να χρησιμοποιηθεί και σε έναν προκαταρκτικό προσδιορισμό της έκθεσης σε κραδασμούς.

Προειδοποίηση! Στην πράξη, η τιμή εκπομπής κραδασμών κατά την χρήση του ηλεκτρικού εργαλείου μπορεί να διαφέρει από την τιμή που δηλώθηκε, ανάλογα με τον τρόπο που χρησιμοποιείται το εργαλείο. Το επίπεδο κραδασμών μπορεί να αυξηθεί πάνω από το επίπεδο που έχει δηλωθεί.

Κατά τον προσδιορισμό της έκθεσης σε κραδασμούς για τον καθορισμό των απαιτούμενων μέτρων ασφάλειας σύμφωνα με την οδηγία 2002/44/EK για την προστασία προσώπων που χρησιμοποιούν συχνά ηλεκτρικά εργαλεία στην εργασία τους, μια προσεγγιστική εκτίμηση της έκθεσης σε κραδασμούς πρέπει να λαμβάνει υπόψη τις πραγματικές συνθήκες χρήσης και τον τρόπο χρήσης του εργαλείου, συμπεριλαμβανομένων και όλων των επιμέρους τμημάτων του κύκλου εργασίας, όπως τα χρονικά διαστήματα που το εργαλείο ήταν εκτός λειτουργίας και τα διαστήματα λειτουργίας χωρίς φορτίο, επιπλέον του χρόνου πίεσης της σκανδάλης.

Ετικέτες πάνω στο εργαλείο

Τα σύμβολα που ακολουθούν μαζί με τον κωδικό ημερομηνίας εμφανίζονται πάνω στο εργαλείο:



Προειδοποίηση! Για να μειωθεί ο κίνδυνος τραυματισμού, ο χρήστης πρέπει να διαβάσει το εγχειρίδιο οδηγιών.

Ασφαλής χρήση ηλεκτρικού ρεύματος



Αυτό το εργαλείο φέρει διπλή μόνωση και επομένως δεν χρειάζεται καλώδιο γείωσης. Ελέγχετε πάντα ότι η παροχή ρεύματος αντιστοιχεί στην τάση που αναφέρεται στην πινακίδα τεχνικών χαρακτηριστικών.

- ◆ Αν έχει υποστεί ζημιά το καλώδιο τροφοδοσίας, αυτό πρέπει να αντικατασταθεί από τον κατασκευαστή ή από εξουσιοδοτημένο κέντρο σέρβις Stanley Fat Max, ώστε να αποφευχθούν τυχόν κίνδυνοι.

Χαρακτηριστικά

Αυτό το εργαλείο διαθέτει μερικά από ή όλα τα παρακάτω χαρακτηριστικά.

1. Διακόπτης ενεργοποίησης/ απενεργοποίησης (on/off)
2. Κουμπί ασφάλισης
3. Κύρια λαβή

4. Δευτερεύουσα λαβή
5. Κουμπί ασφάλισης άξονα
6. Πέδιλο
7. Λεπίδα πριονιού
8. Προφυλακτήρα λεπίδας πριονιού
9. Λαβή προφυλακτήρα
10. Έξοδος σκόνης πριονιού

Συναρμολόγηση

Προειδοποίηση! Πριν επιχειρήσετε κάποια από αυτές τις εργασίες, βεβαιωθείτε ότι εργαλείο είναι απενεργοποιημένο και αποσυνδεδεμένο από την πρίζα και ότι η λεπίδα πριονιού έχει σταματήσει να κινείται.

Αφαίρεση και τοποθέτηση λεπίδας πριονιού (εικ. Α)

Αφαίρεση

- ◆ Κρατήστε πατημένο το κουμπί ασφάλισης άξονα (5) και περιστρέψτε τη λεπίδα μέχρι να κουμπώσει η ασφάλεια άξονα.
- ◆ Λασκάρτε και αφαιρέστε τη βίδα (11) συγκράτησης της λεπίδας περιστρέφοντάς την αριστερόστροφα με το παρεχόμενο γερμανικό κλειδί (12).
- ◆ Αφαιρέστε την εξωτερική ροδέλα (13).
- ◆ Αφαιρέστε τη λεπίδα πριονιού (7).

Τοποθέτηση

- ◆ Τοποθετήστε τη λεπίδα πριονιού πάνω στην εσωτερική φλάντζα (14), φροντίζοντας ώστε το βέλος επάνω στη λεπίδα να δείχνει στην ίδια κατεύθυνση με το βέλος επάνω στο εργαλείο.
- ◆ Τοποθετήστε την εξωτερική ροδέλα (13) επάνω στον άξονα, με το υπερυψωμένο τμήμα να δείχνει αντίθετα από τη λεπίδα πριονιού.
- ◆ Εισάγετε τη βίδα συγκράτησης της λεπίδας (11) μέσα στην οπή.
- ◆ Κρατήστε πατημένο το κουμπί ασφάλισης άξονα (5).
- ◆ Σφίξτε καλά τη βίδα συγκράτησης της λεπίδας περιστρέφοντάς την δεξιόστροφα με το παρεχόμενο γερμανικό κλειδί (12).

Τοποθέτηση και αφαίρεση του παράλληλου οδηγού (εικ. Β)

- ◆ Ο παράλληλος οδηγός χρησιμοποιείται για το πριόνισμα σε ευθεία γραμμή παράλληλα με την ακμή του τεμαχίου εργασίας.

Τοποθέτηση

- ◆ Λασκάρτε το κουμπί ασφάλισης (16).
- ◆ Εισάγετε τον παράλληλο οδηγό (17) μέσα από τα ανοίγματα (18).
- ◆ Μετακινήστε τον παράλληλο οδηγό στην επιθυμητή θέση.
- ◆ Σφίξτε το κουμπί ασφάλισης.

Αφαίρεση

- ◆ Λασκάρτε το κουμπί ασφάλισης.
- ◆ Αφαιρέστε τον παράλληλο οδηγό από το εργαλείο.

Χρήση

Προειδοποίηση! Αφήστε το εργαλείο να λειτουργήσει με το δικό του ρυθμό. Μην το υπερφορτώνετε. Το εργαλείο αυτό μπορεί να χρησιμοποιηθεί με το δεξί ή με το αριστερό χέρι.

Ρύθμιση της γωνίας πριονίσματος (εικ. C)

- ◆ Χρησιμοποιήστε μια γωνία για να βεβαιωθείτε ότι η γωνία ανάμεσα στη λεπίδα πριονιού και το πέδιλο είναι 90°.
- Εάν η γωνία δεν είναι 90° ρυθμίστε την ως εξής:
- ◆ Λασκάρτε το κουμπί ασφάλισης (19) για να απασφαλίσετε το πέδιλο του πριονιού.
- ◆ Λασκάρτε το παξιμάδι ασφαλείας (20) στη ρυθμιστική βίδα (21).
- ◆ Βιδώστε ή ξεβιδώστε τη ρυθμιστική βίδα ώστε να επιτευχθεί γωνία 90°.
- ◆ Σφίξτε ξανά το παξιμάδι ασφαλείας.
- ◆ Σφίξτε το κουμπί ασφάλισης για να ασφαλίσετε το πέδιλο του πριονιού στη θέση του.

Ρύθμιση του βάθους κοπής (εικ. D)

Το βάθος κοπής θα πρέπει να ρυθμιστεί ανάλογα με το πάχος του τεμαχίου εργασίας. Αυτό θα πρέπει να υπερβαίνει το πάχος κατά περίπου 2 mm.

- ◆ Λασκάρτε το κουμπί (20) για να απασφαλίσετε το πέδιλο του πριονιού.
- ◆ Μετακινήστε το πέδιλο (6) του πριονιού στην επιθυμητή θέση. Το αντίστοιχο βάθος κοπής μπορεί να διαβαστεί στην κλίμακα (21).
- ◆ Σφίξτε το κουμπί για να ασφαλίσετε το πέδιλο του πριονιού στη θέση του.

Ρύθμιση της φалтσογωνιάς (εικ. E)

Το εργαλείο αυτό μπορεί να ρυθμιστεί για φалтσογωνιές μεταξύ 0° και 45°.

- ◆ Λασκάρτε το κουμπί ασφάλισης (19) για να απασφαλίσετε το πέδιλο του πριονιού.
- ◆ Μετακινήστε το πέδιλο (6) του πριονιού στην επιθυμητή θέση. Μπορείτε να διαβάσετε την αντίστοιχη φалтσογωνιά στην κλίμακα (24).
- ◆ Σφίξτε το κουμπί ασφάλισης για να ασφαλίσετε το πέδιλο του πριονιού στη θέση του.

Ενεργοποίηση και απενεργοποίηση

- ◆ Για να ενεργοποιήσετε το εργαλείο, μετακινήστε το κουμπί απασφάλισης (2) στη θέση απασφάλισης και πιέστε το διακόπτη ενεργοποίησης/ απενεργοποίησης (1).
- ◆ Για να απενεργοποιήσετε το εργαλείο, αφήστε το διακόπτη ενεργοποίησης/ απενεργοποίησης.

Πρίονισμα

Πάντα να κρατάτε το εργαλείο και με τα δύο χέρια.

- ◆ Αφήνετε τη λεπίδα να κινηθεί ελεύθερα για λίγα δευτερόλεπτα, πριν αρχίσετε την κοπή.
- ◆ Κατά την εκτέλεση της κοπής, εφαρμόζετε μόνο μικρή πίεση στο εργαλείο.
- ◆ Εργαστείτε με το πέδιλο να πιέζεται πάνω στο τεμάχιο εργασίας.

Σημείωση: Μην επιτρέπετε στα άκρα της λεπίδας να υπερθερμανθούν.

Χρήση του οδηγού παρατήρησης (εικ. F)

Αυτό το εργαλείο διαθέτει οδηγό παρατήρησης για ευθεία κοπή (25).

- ◆ Ρυθμίστε τον οδηγό παρατήρησης όπως περιγράφεται παρακάτω.
- ◆ Ευθυγραμμίστε το αριστερό άκρο των οδηγών (25) με τη γραμμή κοπής (26).

Απομάκρυνση σκόνης

Απαιτείται ένας προσαρμογέας, για τη σύνδεση στο εργαλείο μιας ηλεκτρικής σκούπας ή συστήματος απομάκρυνσης σκόνης.

- ◆ Εισάγετε τον προσαρμογέα απομάκρυνσης σκόνης στην έξοδο σκόνης (10) του πριονιού.
- ◆ Συνδέστε τον εύκαμπτο σωλήνα της ηλεκτρικής σκούπας στον προσαρμογέα.

Συμβουλές για βέλτιστη χρήση

- ◆ Χρησιμοποιείτε πάντα τον κατάλληλο τύπο λεπίδας πριονιού ανάλογα με το υλικό του τεμαχίου εργασίας και τον τύπο κοπής.
- ◆ Πάντα να κρατάτε το εργαλείο και με τα δύο χέρια.
- ◆ Αφήνετε τη λεπίδα να κινηθεί ελεύθερα για λίγα δευτερόλεπτα, πριν αρχίσετε την κοπή.
- ◆ Κατά την εκτέλεση της κοπής, εφαρμόζετε μόνο μικρή πίεση στο εργαλείο.
- ◆ Εργαστείτε με το πέδιλο να πιέζεται πάνω στο τεμάχιο εργασίας.
- ◆ Επειδή δεν μπορείτε να αποφύγετε κάποιες σχίζες κατά μήκος της γραμμής κοπής στην επάνω πλευρά του τεμαχίου εργασίας, κόψτε από την πλευρά που είναι αποδεκτές οι σχίζες.
- ◆ Σε περιπτώσεις που πρέπει να ελαχιστοποιηθούν οι σχίζες, π.χ. κατά την κοπή καπλαμάδων, σφίξτε ένα κομμάτι κόντρα πλακέ επάνω στην άνω επιφάνεια του τεμαχίου εργασίας.
- ◆ Υποστηρίξτε μεγάλα φύλλα υλικού για να ελαχιστοποιήσετε τον κίνδυνο να σφηνώσει η λεπίδα και να προκληθεί ανάδραση. Τα μεγάλα φύλλα υλικού έχουν την τάση να κάμπτονται από το ίδιο τους το βάρος.

- ◆ Πρέπει να τοποθετούνται υποστηρίγματα κάτω από το φύλλο και στις δύο πλευρές, κοντά στη γραμμή κοπής και κοντά στο άκρο του φύλλου που κόβεται.
- ◆ Ποτέ μην κρατάτε το αντικείμενο που κόβετε με τα χέρια σας ή πάνω στα πόδια σας.
- ◆ Στερεώστε το τεμάχιο εργασίας σε μια σταθερή επιφάνεια χρησιμοποιώντας σφιγκτήρες. Είναι σημαντικό να υποστηρίζετε σωστά το τεμάχιο εργασίας, για ελαχιστοποίηση της έκθεσης του σώματος, του μαγκώματος της λεπίδας ή της απώλειας ελέγχου.

Συντήρηση

Αυτή η συσκευή/το εργαλείο ρεύματος/μπαταρίας της Stanley FatMax έχει σχεδιαστεί έτσι ώστε να λειτουργεί για μεγάλο χρονικό διάστημα με την ελάχιστη δυνατή συντήρηση. Η συνεχής και ικανοποιητική λειτουργία εξαρτάται από τη σωστή φροντίδα και τον τακτικό καθαρισμό του εργαλείου.

Προειδοποίηση! Πριν πραγματοποιήσετε οποιαδήποτε συντήρηση σε ηλεκτρικά εργαλεία ρεύματος/μπαταρίας:

- ◆ Απενεργοποιήστε και αποσυνδέστε τη συσκευή/το εργαλείο από την πρίζα.
- ◆ Ή απενεργοποιήστε και αφαιρέστε το πακέτο μπαταρίας από τη συσκευή/το εργαλείο, εάν η συσκευή/το εργαλείο διαθέτει αφαιρούμενο πακέτο μπαταρίας.
- ◆ Ή χρησιμοποιήστε τη συσκευή μέχρι να εξαντληθεί πλήρως η μπαταρία, αν είναι ενσωματωμένη, και στη συνέχεια απενεργοποιήστε τη συσκευή.
- ◆ Πριν τον καθαρισμό του φορτιστή αποσυνδέστε τον από την πρίζα. Ο φορτιστής σας δεν χρειάζεται καμία άλλη συντήρηση πέραν του τακτικού καθαρισμού.
- ◆ Να καθαρίζετε τακτικά τις εγκοπές εξαιρισμού της συσκευής/του εργαλείου/του φορτιστή χρησιμοποιώντας μια μαλακή βούρτσα ή ένα στεγνό πανί.
- ◆ Να καθαρίζετε τακτικά το περίβλημα του μοτέρ με ένα ελαφρά υγρό πανί. Μην χρησιμοποιείτε καθαριστικά που χαράζουν ή περιέχουν διαλύτες.
- ◆ Να ανοίγετε τακτικά το τσοκ (όταν είναι τοποθετημένο) και να το χτυπάτε ελαφρά για να αφαιρέσετε τη σκόνη από το εσωτερικό του.

Προστασία του περιβάλλοντος

Χωριστή συλλογή. Τα προϊόντα και οι μπαταρίες που επισημαίνονται με αυτό το σύμβολο δεν πρέπει να απορρίπτονται μαζί με τα κανονικά οικιακά απορρίμματα.

Τα προϊόντα και οι μπαταρίες περιέχουν υλικά που μπορούν να ανακτηθούν ή να ανακυκλωθούν ώστε να μειωθούν οι ανάγκες για πρώτες ύλες.

Παρακαλούμε να ανακυκλώνετε τα ηλεκτρικά προϊόντα και τις μπαταρίες σύμφωνα με τους τοπικούς κανονισμούς. Περισσότερες πληροφορίες διατίθενται στον ιστότοπο www.2helpU.com

Τεχνικά χαρακτηριστικά

		KFFMES301 (Τύπος 1)
Τάση εισόδου	V_{AC}	230
Κατανάλωση ισχύος	W	1650
Ταχύτητα χωρίς φορτίο	σ.α.λ.	5500
Μέγιστο βάθος κοπής	mm	66
Διάμετρος λεπίδας	mm	190
Όπή λεπίδας	mm	16
Πλάτος ακμής λεπίδας	mm	1,8
Βάρος	kg	3,9 (4,31 με λεπίδα)

Στάθμη ηχητικής πίεσης σύμφωνα με το EN 60745:	
Ηχητική πίεση (L_{pA})	89,0 dB(A), αβεβαιότητα (Κ) 3 dB(A)
Ηχητική ισχύς (L_{WA})	100 dB(A), αβεβαιότητα (Κ) 3 dB(A)
Οι συνολικές τιμές δόνησης (διαυσματικό άθροισμα τριών αξόνων) κατά EN 60745:	
Τιμή εκπομπής κραδασμών ($a_{h,eq}$)	2,6 m/s ² , αβεβαιότητα (Κ) 1,5 m/s ² (κοπή ξύλου)

Δήλωση συμμόρφωσης ΕΚ ΟΔΗΓΙΑ ΠΕΡΙ ΜΗΧΑΝΗΜΑΤΩΝ



KFFMES301 - Δισκοπρίονο

Η Stanley Europe δηλώνει ότι αυτά τα προϊόντα που περιγράφονται στα «τεχνικά χαρακτηριστικά» συμμορφώνονται με: EN60745-1:2009+A11:2010, EN60745-2-5:2010

Αυτά τα προϊόντα συμμορφώνονται επίσης με την Οδηγία 2006/42/ΕΚ, 2014/30/ΕΕ και 2011/65/ΕΕ.

Για περισσότερες πληροφορίες, παρακαλείστε να επικοινωνήσετε με την Stanley Fat Max στην παρακάτω διεύθυνση ή να ανατρέξετε στο πίσω μέρος του εγχειριδίου.

Ο κάτωθι υπογεγραμμένος είναι υπεύθυνος για την κατάρτιση του τεχνικού φακέλου και δηλώνει τα παραρτά εκ μέρους της Stanley Fat Max.

R. Laverick
Υπεύθυνος Σχεδιασμού
Stanley Fat Max Europe, 210 Bath Road, Slough,
Berkshire, SL1 3YD
United Kingdom
07/02/2018

Εγγύηση

Η Stanley Europe είναι σίγουρη για την ποιότητα των προϊόντων της και προσφέρει στους καταναλωτές εγγύηση 12 μηνών από την ημερομηνία αγοράς. Αυτή η εγγύηση συμπληρώνει και με κανένα τρόπο δεν παραβλάπτει τα νόμιμα δικαιώματά σας. Η εγγύηση ισχύει εντός της επικράτειας των χωρών μελών της Ευρωπαϊκής Ένωσης και της Ευρωπαϊκής Ζώνης Ελεύθερων Συναλλαγών.

Για να υποβάλετε αξίωση βάσει της εγγύησης, η αξίωση θα πρέπει να είναι σύμφωνη με τους Όρους και προϋποθέσεις της Stanley Europe και θα χρειαστεί να υποβάλετε απόδειξη αγοράς στον πωλητή ή σε εξουσιοδοτημένο αντιπρόσωπο επισκευών.

Μπορείτε να αποκτήσετε τους Όρους και προϋποθέσεις της εγγύησης 1 έτους της Stanley Europe και να μάθετε την τοποθεσία του πλησιέστερου εξουσιοδοτημένου αντιπροσώπου επισκευών στο Internet στο www.2helpU.com, ή επικοινωνώντας με το τοπικό σας γραφείο Stanley Fat Max στη διεύθυνση που υποδεικνύεται στο παρόν εγχειρίδιο.

Επισκεφθείτε τον ιστότοπό μας www.stanley.eu/3 για να καταχωρίσετε το καινούργιο προϊόν Stanley Fat Max που αποκτήσατε και για να λαμβάνετε ενημερώσεις σχετικά με νέα προϊόντα και ειδικές προσφορές.

Przeznaczenie

Pilarka tarczowa Stanley Fat Max KFFMES301 jest przeznaczona do piłowania drewna i produktów drewnianych. To narzędzie jest przeznaczone do użytku profesjonalnego oraz prywatnego, innego niż profesjonalny.

Zasady bezpiecznej pracy

Ogólne wskazówki dotyczące bezpiecznej pracy elektronarzędziami



Ostrzeżenie! Zapoznać się ze wszystkimi ostrzeżeniami dotyczącymi bezpiecznej pracy oraz z instrukcją obsługi. Niestosowanie się do ostrzeżeń i zaleceń zawartych w tej instrukcji obsługi może być przyczyną porażenia prądem elektrycznym, pożaru i/lub poważnego zranienia.

Zachować wszystkie instrukcje i informacje dotyczące bezpiecznej pracy, aby móc korzystać z nich w przyszłości. Pojęcie „elektonarzędzie” używane w niniejszej instrukcji, oznacza narzędzie zasilane z sieci elektrycznej (przewodem zasilającym) lub akumulatorami (beprzewodowe).

1. Bezpieczeństwo w miejscu pracy

- a. **Miejsce pracy musi być czyste i dobrze oświetlone.** Miejsca ciemne i takie, w których panuje nieporządek, stwarzają ryzyko wypadku.
- b. **Nie wolno używać elektronarzędzi w strefach zagrożenia wybuchem, w pobliżu palnych cieczy, gazów, czy pyłów.** Elektronarzędzia mogą wytworzyć iskry powodujące zapłon pyłów lub oparów.
- c. **W czasie pracy elektronarzędziami nie pozwalają na przebywanie w pobliżu dzieci i innych osób postronnych.** Chwila nieuwagi może spowodować utratę kontroli nad narzędziem.

2. Ochrona przed porażeniem prądem elektrycznym

- a. **Gniazdo musi być dostosowane do wtyczki elektronarzędzia. Nie wolno przerabiać wtyczek. Nie używać żadnych łączników lub rozdzielaczy elektrycznych z uziemionymi elektronarzędziami.** Nieprzerabiane wtyczki i odpowiednie gniazda zmniejszają ryzyko porażenia prądem elektrycznym.
- b. **Należy unikać bezpośredniej styczności z uziemionymi lub zerowanymi powierzchniami, takimi jak rurociągi, grzejniki, kuchenki i lodówki.** Ryzyko porażenia prądem elektrycznym wzrasta, jeśli Twoje ciało jest uziemione.
- c. **Nie narażać elektronarzędzi na działanie deszczu lub zwiększonej wilgotności.** Dostanie się wody do wnętrza elektronarzędzia zwiększa ryzyko porażenia prądem elektrycznym.

- d. **Nie wolno ciągnąć za przewód zasilający. Nie wolno ciągnąć, podnosić ani wyciągać wtyczki z gniazda, poprzez ciągnięcie za kabel zasilający narzędzia. Chronić kabel zasilający przed kontaktem z gorącymi elementami, olejami, ostrymi krawędziami i ruchomymi częściami.** Uszkodzenie lub zaplątanie przewodu zasilającego zwiększa ryzyko porażenia prądem elektrycznym.
- e. **W czasie pracy elektronarzędziem poza pomieszczeniami zamkniętymi należy używać przystosowanych do tego przedłużaczy.** Korzystanie z przedłużaczy przystosowanych do użycia na zewnątrz budynków zmniejsza ryzyko porażenia prądem.
- f. **Jeśli zachodzi konieczność używania narzędzia w wilgotnym otoczeniu, należy używać źródła zasilania zabezpieczonego wyłącznikiem różnicowoprądowym.** Stosowanie wyłączników różnicowoprądowych zmniejsza ryzyko porażenia prądem elektrycznym.

3. Środki ochrony osobistej

- a. **W czasie pracy elektronarzędziem zachować czujność, patrzeć uważnie i kierować się zdrowym rozsądkiem. Nie używać elektronarzędzia w stanie zmęczenia, pod wpływem narkotyków, alkoholu lub leków.** Nawet chwila nieuwagi w czasie pracy elektronarzędziem może doprowadzić do poważnych obrażeń ciała.
- b. **Używać środków ochrony osobistej. Zawsze zakładać okulary ochronne.** Używanie, w miarę potrzeb, środków ochrony osobistej, takich jak maska przeciwpyłowa, buty ochronne z antypoślizgową podeszwą, kask czy ochronniki słuchu, zmniejsza ryzyko odniesienia uszczerbku na zdrowiu.
- c. **Zapobiegać przypadkowemu włączeniu. Przed przyłączeniem do zasilania i/lub włożeniem akumulatorów oraz przed podniesieniem i przenoszeniem narzędzia, upewnić się, że wyłącznik znajduje się w pozycji „wyłączone”.** Trzymanie palca na wyłączniku podczas przenoszenia lub podłączenie włączonego narzędzia do zasilania łatwo staje się przyczyną wypadków.
- d. **Przed włączeniem elektronarzędzia usunąć wszelkie klucze lub narzędzia do regulacji.** Pozostawienie klucza lub narzędzia do regulacji połączonych z częściami wirującymi elektronarzędzia może spowodować uszkodzenie ciała.
- e. **Nie wychylać się nadmiernie. Przez cały czas zachowywać solidne oparcie nóg i równowagę.** Dzięki temu ma się lepszą kontrolę nad elektronarzędziem w nieoczekiwanych sytuacjach.

- f. **Zakładać odpowiednią odzież. Nie nosić luźnych ubrań ani biżuterii. Trzymać włosy, ubranie i rękawice z dala od ruchomych elementów.** Luźne ubranie, biżuteria lub długie włosy mogą zostać pochwycone przez ruchome części.
- g. **Jeśli sprzęt jest przystosowany do przyłączenia urządzeń odprowadzających i zbierających pył, upewnić się, czy są one przyłączone i właściwie użytkowane.** Używanie takich urządzeń zmniejsza zagrożenia związane z obecnością pyłów.

4. Obsługa i konserwacja elektronarzędzi

- a. **Nie przeciążać elektronarzędzia. Używać elektronarzędzi odpowiednich do rodzaju wykonywanej pracy.** Dzięki odpowiednim elektronarzędziom wykona się pracę lepiej i w sposób bezpieczny, w tempie, do jakiego narzędzie zostało zaprojektowane.
- b. **Nie wolno używać elektronarzędzia z zepsutym wyłącznikiem, który nie pozwala na sprawne włączanie i wyłączanie.** Narzędzie, którego nie można kontrolować za pomocą włącznika, nie może być używane i musi zostać naprawione.
- c. **Przed przystąpieniem do regulacji, wymiany akcesoriów oraz przed schowaniem elektronarzędzia, należy odłączyć wtyczkę od źródła zasilania i/lub odłączyć akumulator od urządzenia.** Takie środki zapobiegawcze zmniejszają ryzyko przypadkowego uruchomienia elektronarzędzia.
- d. **Nie używane elektronarzędzie przechowywać poza zasięgiem dzieci i nie dopuszczać osób nie znających elektronarzędzia lub tej instrukcji do posługiwania się elektronarzędziami.** Elektronarzędzia są niebezpieczne w rękach niewprawnego użytkownika.
- e. **Regularnie dokonywać konserwacji elektronarzędzi. Sprawdzić, czy ruchome części są właściwie połączone i zamocowane, czy części nie są uszkodzone oraz skontrolować wszelkie inne elementy mogące mieć wpływ na pracę elektronarzędzia.** Wszystkie uszkodzenia należy naprawić przed rozpoczęciem użytkowania. Wiele wypadków jest spowodowanych źle utrzymanymi elektronarzędziami.
- f. **Dbać o czystość narzędzi i ostrość elementów tnących.** Prawidłowo utrzymane narzędzia do cięcia o ostrych krawędziach tnących rzadziej się zakleszczają i są łatwiejsze do kontrolowania.
- g. **Elektronarzędzi, akcesoriów i końcówek itp., należy używać zgodnie z instrukcją obsługi, uwzględniając warunki i rodzaj wykonywanej pracy.** Użycie elektronarzędzi niezgodnie z przeznaczeniem może być bardzo niebezpieczne.

5. Naprawy

- a. **Powierzać naprawy elektronarzędzi wyłącznie osobom wykwalifikowanym, używającym identycznych części zamiennych.** Zagwarantuje to bezpieczeństwo elektronarzędzia.

Bezpieczne użytkowanie elektronarzędzi - wskazówki dodatkowe



Ostrzeżenie! Instrukcje bezpieczeństwa dla pilarek

Procedura piłowania

- a. **Nie zbliżaj rąk do obszaru cięcia ani tarczy piły. Drugą ręką chwycić uchwyt pomocniczy lub obudowę silnika.** Gdy pilarka jest utrzymywana obiema rękami, nie grozi niebezpieczeństwo doznania urazu rąk.
- b. **Nigdy nie wkładaj rąk pod przedmiot obrabiany.** W czasie cięcia osłona chroni tarczę tylko od góry.
- c. **Głębokość cięcia dostosuj do grubości przedmiotu obrabianego.** Z drugiej strony przedmiotu obrabianego tarcza pilarki nie powinna wystawać bardziej niż na długość zęba.
- d. **Ciętego przedmiotu nigdy nie przytrzymuj rękami ani nogami.** Przytwierdź przedmiot do stabilnej podstawy. Ważne jest prawidłowe podparcie przedmiotu, by zminimalizować ryzyko doznania urazu, zakleszczenia tarczy i utraty panowania nad sytuacją.
- e. **W przypadku prac, w czasie których może dojść do przecięcia własnego lub ukrytych przewodów, należy trzymać urządzenie wyłącznie za izolowane uchwyty.** Zetknięcie z przewodem pod napięciem może spowodować pojawienie się napięcia na odsłoniętych metalowych częściach obudowy i porażenie prądem operatora.
- f. **Przy cięciu wzdłużnym zawsze używaj prowadnicy dystansowej.** Zwiększa to dokładność cięcia i zmniejsza prawdopodobieństwo zakleszczenia tarczy.
- g. **Zawsze używaj tarczy z otworem centralnym o odpowiednim kształcie i średnicy (wielokątny lub okrągły).** Tarcza z otworem większym od średnicy wału może obracać się mimoiśrodkowo, co grozi utratą panowania nad pilarką.
- h. **Nigdy nie używaj uszkodzonych lub nieodpowiednich podkładek bądź śrub mocujących.** Są one przeznaczone do konkretnego rodzaju tarczy i tylko wtedy zapewniają maksymalne bezpieczeństwo pracy.

Dalsze instrukcje bezpieczeństwa dla pilarek

Przyczyny gwałtownego odrzutu i powiązane ostrzeżenia

- ◆ odrzut to nagła reakcja na ściśnięcie, utknięcie lub zniekształcenie, powodująca podniesienie się pilarki z elementu obrabianego w kierunku operatora;
- ◆ gdy tarcza zostanie ściśnięta lub ciasno zablokowana przez zamykający się rzaz, dochodzi do jej utknięcia, a silnik powoduje jej nagły ruch wstecz w kierunku operatora;
- ◆ jeśli tarcza zegnije się lub przesunie w trakcie cięcia, zęby tarczy na tylnym brzegu mogą wbić się w górną powierzchnię ciętego drewna, powodując wypadnięcie tarczy z rzazu i odepchnięcie w kierunku operatora.

Odrzut jest wynikiem niewłaściwego użycia i/lub nieprawidłowej obsługi pilarki bądź też złych warunków panujących w miejscu pracy i można mu przeciwdziałać, podejmując odpowiednie, wymienionej niżej środki ostrożności.

- a. **Pewnie trzymać pilarkę obiema rękami i tak balansować ramionami, by w każdej chwili móc przeciwstawić się sile odrzutu. Ustawić ciało z dowolnego boku tarczy, ale nie na linii tarczy.**
W razie zaistnienia odrzutu można wówczas opanować sytuację i nie dopuścić do utraty kontroli nad maszyną.
- b. **W razie zakleszczenia się tarczy lub zatrzymania jej z jakiegokolwiek innego powodu natychmiast wyłączyć pilarkę i trzymaj ją bez ruchu aż do całkowitego zatrzymania. Nie wolno próbować wyjmować pilarki z ciętego materiału lub przesuwac jej do tyłu, gdy tarcza obraca się lub wystąpiło zjawisko odrzutu pilarki.** Znaleźć przyczynę zakleszczenia i podjąć odpowiednie środki zaradcze.
- c. **Przy ponownym uruchamianiu piły zagłębionej w ciętym przedmiocie ustaw ją dokładnie w osi nacięcia i upewnij się, czy zęby nie zawadzają o materiał.** W przeciwnym razie przy załączaniu może wystąpić odrzut, co grozi wyskoczeniem pilarki z ciętego przedmiotu.
- d. **Podpieraj duże płyty, by nie doszło do zakleszczenia piły tarczowej i odrzutu pilarki.** Duże panele mają tendencję do wyginania się pod ciężarem własnym. Podpory muszą być umieszczone pod panelem z obu stron, w pobliżu linii cięcia i w pobliżu krawędzi elementu.
- e. **Nie używaj tępych ani uszkodzonych tarcz.** Tarcze tępe lub z niewłaściwie rozwarzonymi zębami wycinają wąski rzaz, co powoduje nadmierne tarcie i może doprowadzić do zakleszczenia tarczy i odrzutu pilarki.

- f. **Elementy zaciskowe mechanizmu regulacji głębokości cięcia i mechanizmu pochylania tarczy muszą być dobrze zabezpieczone.** Przesunięcie się ustawień tarczy podczas cięcia może doprowadzić do zakleszczenia i odrzutu pilarki.
- a. **Szczególną ostrożność zachowuj przy cięciu wgłębnym ścian lub innych obiektów o nieznannej konstrukcji.** Wystająca z drugiej strony tarcza może zawadzić o jakieś przedmioty i doprowadzić do odrzutu.

Funkcja osłony tarczy

- a. **Przed każdym użyciem sprawdź, czy osłona tarczy prawidłowo się zamyka. Nie wolno używać pilarki, jeśli osłona nie porusza się i nie zamyka się swobodnie. Nigdy nie mocować ani nie wiązać dolnej osłony w pozycji otwartej.** Przypadkowy upadek pilarki może doprowadzić do wygięcia osłony tarczy. W takiej sytuacji przed ponownym uruchomieniem pilarki sprawdzić osłonę, czy porusza się bez przeszkód i nie dotyka tarczy lub innych elementów. Dotyczy to wszystkich kątów cięcia ukosowego i głębokości cięcia.
- b. **Sprawdź działanie sprężyny powrotnej osłony tarczy. Jeśli osłona i sprężyna nie działają poprawnie, muszą zostać poddane serwisowaniu przed użyciem.** Osłona dolna może poruszać się z oporami z powodu uszkodzenia jakichś elementów, zabrudzenia żywicą lub zapchania trocinami.
- c. **Dolną osłonę tarczy można ręcznie odciągać tylko w specjalnych przypadkach, jak „cięcie wgłębne” lub „cięcie kombinowane”.** Osłonę należy odsunąć za pomocą uchwytu i zwolnić w momencie rozpoczęcia zagłębienia się tarczy w ciętym materiale. We wszystkich innych sytuacjach dolna osłona tarczy powinna działać automatycznie.
- d. **Przed odłożeniem pilarki na stole warsztatowym lub podłodze sprawdź, czy osłona całkowicie zasłania tarczę.** Nieosłonięta, jeszcze obracająca się tarcza, może doprowadzić do odrzutu pilarki i przeciąć wszystko to, co znajdzie się na jej drodze. Pamiętaj, że po zwolnieniu wyłącznika tarcza jeszcze jakiś czas się obraca.

Pozostałe zagrożenia

W czasie pracy narzędziem mogą powstać zagrożenia, które nie zostały uwzględnione w załączonej instrukcji dotyczącej bezpiecznego użytkowania. Zagrożenia te mogą wynikać z niewłaściwego użytkowania, zbyt intensywnej eksploatacji lub innych przyczyn.

Nawet w przypadku przestrzegania zasad bezpiecznej pracy i stosowania środków ochronnych, nie jest możliwe uniknięcie pewnych zagrożeń. Należą do nich:

- ◆ Zranienia wynikające z dotknięcia wirujących/ruchomych elementów.

- ◆ Zranienia w czasie wymiany części, ostrzy lub akcesoriów.
- ◆ Zranienia związane ze zbyt długotrwałym używaniem narzędzia. Pracując przez dłuższy czas jakimkolwiek narzędziem, należy robić regularne przerwy.
- ◆ Uszkodzenie narządu słuchu.
- ◆ Zagrożenie dla zdrowia spowodowane wdychaniem pyłu wytwarzanego podczas użytkowania urządzenia (np.: podczas pracy w drewnie, szczególnie dębowym, bukowym oraz MDF.)

Tarcze

- ◆ Nie wolno używać tarcz o większej lub mniejszej średnicy niż zalecana. Prawidłowe wielkości tarcz opisano w danych technicznych. Używać wyłącznie tarcz podanych w tej instrukcji i zgodnych z normą EN 847-1.
- ◆ **Ostrzeżenie!** Nigdy nie używać tarcz ściernych.

Bezpieczeństwo osób postronnych

- ◆ Opisywane urządzenie nie jest przeznaczone do użycia przez osoby o obniżonych możliwościach fizycznych, ruchowych lub umysłowych (także dzieci) lub o zbyt małej wiedzy i doświadczeniu, jeśli nie zostały one przeszkolone lub nie pozostają pod opieką osoby odpowiedzialnej za ich bezpieczeństwo.
- ◆ Należy pilnować dzieci, aby nie bawiły się urządzeniem.

Drgania

Podawana w tabeli danych technicznych oraz w deklaracji zgodności z normami wartość drgań została zmierzona zgodnie ze standardową procedurą zawartą w normie EN 60745. Informacja ta może służyć do porównywania tego narzędzia z innymi. Deklarowana wartość emitowanych drgań może również służyć do przewidywania stopnia narażenia użytkownika na wibracje.

Ostrzeżenie! Chwilowa siła drgań, występująca w czasie pracy elektronarzędziem, może odbiegać od podawanych wartości, w zależności od sposobu użytkowania urządzenia. Poziom drgań może przekroczyć podawaną wartość.

Przy określaniu ekspozycji na drgania, w celu podjęcia środków ochrony osób zawodowo użytkujących elektronarzędzia, zgodnie z dyrektywą 2002/44/WE, należy uwzględnić rzeczywiste warunki i rodzaj wykonywanej pracy. Także okresy przestoju i pracy bez obciążenia.

Symbole na urządzeniu

Na narzędziu znajdują się następujące symbole oraz kod daty:



Ostrzeżenie! Aby zminimalizować ryzyko zranienia, użytkownik musi zapoznać się z instrukcją obsługi.

ochrona przed porażeniem prądem elektrycznym



To narzędzie ma podwójną izolację, dlatego też przewód uziemiający nie jest potrzebny. Zawsze sprawdzać, czy napięcie zasilania jest zgodne z wartością podaną na tabliczce znamionowej.

- ◆ Ze względów bezpieczeństwa wymianę uszkodzonego przewodu zasilającego należy powierzyć producentowi lub autoryzowanemu centrum serwisowemu Stanley Fat Max.

Wypożyczenie

Opisywane urządzenie wyposażone jest w kilka lub wszystkie z poniższych elementów.

1. Włacznik
2. Przycisk wyłączenia blokady
3. Główny uchwyt
4. Drugi uchwyt
5. Przycisk blokady wrzeciona
6. Stopka
7. Tarcza pilarki
8. Osłona tarczy
9. Uchwyt tarczy
10. Wylot trocin

Montaż

Ostrzeżenie! Przed przystąpieniem do poniższych operacji upewnić się, że narzędzie jest wyłączone i odłączone od sieci i że brzeszczot się zatrzymał.

Zakładanie i zdejmowanie tarczy (rys. A)

Demontaż

- ◆ Trzymaj wciśnięty przycisk blokady wrzeciona (5) i obracaj tarczą, aż zatrzaśnie się blokada wrzeciona.
- ◆ Poluzuj i usuń śrubę mocującą tarczę (11), obracając ją w kierunku przeciwnym do ruchu wskazówek zegara za pomocą dołączonego klucza (12).
- ◆ Zdjąć podkładkę zewnętrzną (13).
- ◆ Wyjąć ostre piły (7).

Montaż

- ◆ Umieść tarczę piły na kołnierzu wewnętrznym (14), upewniając się, że strzałka na tarczy jest ustawiona w tym samym kierunku, co strzałka na narzędziu.
- ◆ Zamocować podkładkę zewnętrzną (13) na wrzecionie, w pozycji, w której podniesiona część skierowana jest od ostrza piły.
- ◆ Włóż śrubę mocującą tarczę (11) w otwór.
- ◆ Trzymaj wciśnięty przycisk blokady wrzeciona (5).
- ◆ Mocno dokręć śrubę mocującą tarczę, obracając ją zgodnie ze wskazówkami zegara za pomocą dołączonego klucza (12).

Montaż i demontaż przegrody równoległej (rys. B)

- ◆ Przegroda równoległa służy do cięcia w linii prostej równoległe do krawędzi przedmiotu obróbki.

Montaż

- ◆ Poluzować pokrętło zabezpieczające (16).
- ◆ Włożyć przegrodę równoległą (17) przez otwory (18).
- ◆ Wsuń przegrodę równoległą w żądane położenie.
- ◆ Dokręć pokrętło zabezpieczające.

Demontaż

- ◆ Poluzuj pokrętło zabezpieczające.
- ◆ Ściągnij przegrodę równoległą z narzędzia.

Eksploatacja

Ostrzeżenie! Uwzględnić tempo pracy urządzenia. Nie przeciążać narzędzia.

To narzędzie można trzymać w prawej ręce lub lewej ręce.

Regulacja kąta cięcia (rys. C)

- ◆ Użyj kątownika w celu sprawdzenia, czy kąt między tarczą a stopką wynosi 90°.
- ◆ Jeśli kąt nie wynosi 90°, dokonaj regulacji w następujący sposób:
 - ◆ Poluzuj pokrętło zabezpieczające (19), aby odblokować stopkę.
 - ◆ Poluzuj nakrętkę zabezpieczającą (20) na śrubie regulacyjnej (21).
 - ◆ Wkręcaj lub wykręcaj śrubę regulacyjną, aby uzyskać kąt 90°.
 - ◆ Ponownie dokręć nakrętkę zabezpieczającą.
 - ◆ Dokręć pokrętło zabezpieczające, aby zablokować stopkę.

Regulacja głębokości cięcia (rys. D)

Głębokość cięcia należy dostosować do grubości obrabianego przedmiotu. Głębokość powinna przewyższać grubość o około 2 mm.

- ◆ Poluzuj pokrętło zabezpieczające (20), aby odblokować stopkę.
- ◆ Przesuń stopkę (6) w żądane położenie. Wynikającą z ustawienia głębokości cięcia można odczytać z podziałki (21).
- ◆ Dokręć pokrętło zabezpieczające, aby zablokować stopkę.

Regulacja kąta pochyleń (rys. E)

To narzędzie można ustawić na cięcie pod kątem od 0° do 45°.

- ◆ Poluzuj pokrętło zabezpieczające (19), aby odblokować stopkę.
- ◆ Przesuń stopkę (6) w żądane położenie. Wynikającą z ustawienia kąt cięcia można odczytać z podziałki (24).
- ◆ Dokręć pokrętło zabezpieczające, aby zablokować stopkę.

Włączanie i wyłączanie

- ◆ Aby włączyć narzędzie, przestaw przycisk wyłączania blokady (2) w położenie odblokowane, a następnie naciśnij włącznik (1).
- ◆ Aby wyłączyć narzędzie, zwolnić włącznik.

Piłowanie

Zawsze trzymaj narzędzie obiema rękami.

- ◆ Przed rozpoczęciem cięcia pozwól piłę popracować kilka sekund bez obciążenia.
- ◆ Przyłóż tylko delikatny nacisk na narzędzie podczas cięcia.
- ◆ Podczas piłowania dociskaj stopkę do obrabianego przedmiotu.

Uwaga: Uważaj, aby nie doprowadzić do przegrzania zębów piły.

Korzystanie z prowadnicy przeziernej (rys. F)

To narzędzie jest wyposażone w prowadnicę przezierną do cięcia prostego (25).

- ◆ Ustaw prowadnicę przezierną zgodnie z opisem poniżej.
- ◆ Dopasuj lewą krawędź prowadnic (25) do linii cięcia (26).

Odprowadzanie trocin

Do podłączenia odkurzacza do odciągu pyłu konieczna jest końcówka połączeniowa.

- ◆ Włóż końcówkę połączeniową do odciągu pyłu do wylotu trocin (10).
- ◆ Podłącz wąż odkurzacza do końcówki.

Wskazówki praktyczne

- ◆ Zawsze używać brzeszczota o typie odpowiednim dla materiału obrabianego elementu i rodzaju cięcia.
- ◆ Zawsze trzymaj narzędzie obiema rękami.
- ◆ Przed rozpoczęciem cięcia pozwól piłę popracować kilka sekund bez obciążenia.
- ◆ Przyłóż tylko delikatny nacisk na narzędzie podczas cięcia.
- ◆ Podczas piłowania dociskaj stopkę do obrabianego przedmiotu.
- ◆ Ponieważ pewnego oddzielenia się drzazg (rozszczepiania) się wzdłuż linii cięcia na górnej stronie obrabianego przedmiotu nie można całkowicie uniknąć, należy ciąć od strony, na której oddzielenie się drzazg jest akceptowalne.
- ◆ W przypadku, gdy konieczne jest zminimalizowanie oddzielenia się drzazg, np. podczas cięcia laminatów, należy zacisnąć kawałek sklejki na górnej powierzchni obrabianego przedmiotu.
- ◆ Przy cięciu dużych paneli, należy podeprzeć je, co pozwala zminimalizować ryzyko zakleszczenia się pilarki i odrzutu. Duże panele mają tendencję do wyginania się pod ciężarem własnym.

- ◆ Podpory muszą być umieszczone pod panelem z obu stron, w pobliżu linii cięcia i w pobliżu krawędzi przecinanego panelu.
- ◆ Nigdy nie wolno ciąć elementów trzymany w rękach lub opartych na kolanach.
- ◆ Przymocuj obrabiany przedmiot do stabilnej podstawy zaciskami. Ważne jest prawidłowe podparcie przedmiotu, by zminimalizować ryzyko doznania urazu, zakleszczenia tarczy i utraty panowania nad sytuacją.

Konserwacja

Opisywane sieciowe/bezprzewodowe urządzenie/harzędzie Stanley FatMax zostało zaprojektowane tak, aby zapewnić długoletnią pracę przy minimalnej konieczności konserwacji. Aby długo cieszyć się właściwą pracą urządzenia, należy odpowiednio o nie dbać i regularnie je czyścić.

Ostrzeżenie! Przed przystąpieniem do konserwacji urządzeń zasilanych przewodem zasilającym/akumulatorami należy:

- ◆ Wylądować urządzenie i wyjąć wtyczkę z kontaktu.
- ◆ Lub wylądować urządzenie i wyjąć akumulator z urządzenia, jeśli jest to akumulator odłączany.
- ◆ Lub, jeśli akumulator jest zintegrowany, należy całkowicie rozładować akumulator i wylądować urządzenie.
- ◆ Przed czyszczeniem wyjąć wtyczkę ładowarki z gniazda zasilającego. Ładowarka nie wymaga, oprócz okresowego czyszczenia, żadnej dodatkowej konserwacji.
- ◆ Regularnie czyścić otwory wentylacyjne przy użyciu miękkiej szczotki albo suchej ściereczki.
- ◆ Regularnie czyścić obudowę silnika wilgotnym kawałkiem tkaniny.
Nie używać środków czyszczących ściernych ani zawierających rozpuszczalniki.
- ◆ Okresowo należy rozkręcić uchwyt i wytrzeć z niego gromadzący się pył.

Wymiana wtyczki sieciowej (dotyczy tylko Wielkiej Brytanii i Irlandii)

Jeśli występuje konieczność montażu nowej wtyczki:

- ◆ Odpowiednio zutilizować starą wtyczkę.
- ◆ Przyłączyć brązowy przewód do zacisku fazy w nowej wtyczce.
- ◆ Przyłączyć niebieski przewód do zacisku zerowego.

Ostrzeżenie! Nie wykonywać przyłączenia do końcówki uziemienia.

Postępować zgodnie z instrukcją instalacji dołączoną do wtyczek wysokiej jakości.

Zalecany bezpiecznik: 13 A.

Ochrona środowiska



Selektywna zbiórka odpadów. Produktów i akumulatorów oznaczonych tym symbolem nie wolno usuwać ze zwykłymi odpadami z gospodarstw domowych.

Produkty i akumulatory zawierają materiały, które można odzyskać lub poddać recyklingowi, zmniejszając zapotrzebowania na surowce.

Oddawać produkty elektryczne i akumulatory do recyklingu zgodnie z krajowymi przepisami. Więcej danych na stronie www.2helpU.com.

Dane techniczne

KFFMES301 (typ 1)		
Napięcie zasilania	$V_{\text{prądu zmiennego}}$	230
Moc elektryczna	W	1650
Obroty bez obciążenia	min^{-1}	5500
Maks. głębokość cięcia	mm	66
Średnica tarczy	mm	190
Otwór tarczy	mm	16
Szerokość zębów tarczy	mm	1.8
Masa	kg	3,9 (4,31 z tarczą)

Poziom ciśnienia akustycznego zgodnie z EN 60745:

Ciśnienie akustyczne (L_{pa}) 89.0 dB(A), niepewność (K) 3 dB(A)

Moc akustyczna (L_{wa}) 100 dB(A), niepewność (K) 3 dB(A)

Sumaryczna wielkość drgań (suma wektorów trzech osi) zgodnie z normą EN 60745:

Wartość emisji drgań (a_{rw}) 2,6 m/s^2 , niepewność (K) 1,5 m/s^2 (cięcie drewna)

Deklaracja zgodności UE DYREKTYWA MASZYNOWA



KFFMES301 - Pilarka tarczowa

Firma Stanley Europe oświadcza, że produkty opisane pod "dane techniczne" są zgodne z następującymi przepisami:
EN60745-1:2009+A11:2010, EN60745-2-5:2010

Produkty te są również zgodne z zapisami dyrektyw
2006/42/WE, 2014/30/UE i 2011/65/UE.

Aby otrzymać więcej informacji, należy skontaktować się
z firmą Stanley Fat Max pod adresem podanym poniżej lub na
końcu instrukcji.

Osoba niżej podpisana odpowiedzialna jest za zestawienie
informacji technicznych i złożenie deklaracji zgodności
w imieniu firmy Stanley Fat Max.



R. Laverick
Dyrektor ds. inżynierii
Stanley Fat Max Europe, 210 Bath Road, Slough,
Berkshire, SL1 3YD
Wielka Brytania
07/02/2018

Gwarancja

Firma Stanley Europe jest pewna jakości swoich produktów
i oferuje klientom 12 miesięcy gwarancji od daty zakupu.
Udzielona gwarancja stanowi rozszerzenie i w żaden sposób
nie ogranicza ustawowych praw użytkowników. Gwarancja
obowiązuje na terenie krajów członkowskich Unii Europejskiej
i Europejskiej Strefy Wolnego Handlu.

Aby skorzystać z gwarancji, roszczenie gwarancyjne musi
być zgodne z Warunkami Stanley Europe i konieczne jest
przedłożenie dowodu zakupu sprzedawcy lub pracownikowi
autoryzowanego serwisu.

Warunki rocznej gwarancji Stanley Europe oraz lokalizację
najbliższego autoryzowanego serwisu można uzyskać na
stronie internetowej www.2helpU.com lub kontaktując się
z lokalnym biurem Stanley Fat Max pod adresem podanym
w tej instrukcji.

Zapraszamy na naszą stronę internetową www.stanley.eu/3,
aby zarejestrować swój produkt Stanley Fat Max i otrzymywać
informacje o nowych produktach i ofertach specjalnych.

Stanley Fatmax

WARUNKI GWARANCJI

Produkty marki Stanley Fatmax reprezentują bardzo wysoką jakość, dlatego oferujemy dla nich korzystne warunki gwarancyjne. Niniejsze warunki gwarancji nie ograniczają praw klienta wynikających z polskich regulacji ustawowych, lecz są ich uzupełnieniem. Gwarancja jest ważna na terenie Rzeczypospolitej Polskiej.

Gwarantujemy sprawne działanie produktu w przypadku postępowania zgodnego z warunkami techniczno-eksploatacyjnymi opisanymi w instrukcji obsługi.

Niniejszą gwarancją nie jest objęte dodatkowe wyposażenie, jeżeli nie została do niego dołączona oddzielna karta gwarancyjna oraz elementy wyrobu podlegające naturalnemu zużyciu.

1. Niniejszą gwarancją objęte są usterki produktu spowodowane wadami produkcyjnymi i wadami materiałowymi.
2. Niniejsza gwarancja jest ważna po przedstawieniu przez Klienta w Centralnym Serwisie Gwarancyjnym Erpatech reklamowanego produktu oraz łącznie:
 - a) poprawnie wypełnionej karty gwarancyjnej;
 - b) ważnego paragonu zakupu z datą sprzedaży taką, jak w karcie gwarancyjnej lub kopii faktury.
3. Gwarancja obejmuje bezpłatną naprawę urządzenia (wraz z bezpłatną wymianą uszkodzonych części) w okresie 12 miesięcy od daty zakupu.
4. W celu przedłużenia okresu gwarancji o dodatkowe 2 lata należy w ciągu 4 tygodni od daty zakupu urządzenia dokonać rejestracji na stronie internetowej: www.stanley.eu/3.
5. Produkt reklamowany musi być:
 - a) dostarczony bezpośrednio do Centralnego Serwisu Gwarancyjnego Erpatech wraz z poprawnie wypełnioną Kartą Gwarancyjną i ważnym paragonem zakupu (lub kopią faktury) oraz szczegółowym opisem uszkodzenia, lub
 - b) przesłany do Centralnego Serwisu Gwarancyjnego za pośrednictwem punktu sprzedaży wraz z dokumentami wymienionymi powyżej.
6. Koszty wysyłki do Centralnego Serwisu Gwarancyjnego Erpatech ponosi Serwis. Wszelkie koszty związane z zapewnieniem bezpiecznego opakowania, ubezpieczeniem i innym ryzykiem ponosi Klient. W przypadku odrzucenia roszczenia gwarancyjnego, produkt jest odsyłany do miejsca nadania na koszt adresata.
7. Usterki ujawnione w okresie gwarancji będą usunięte przez Centralny Serwis Gwarancyjny Erpatech w terminie:
 - a) 14 dni roboczych od daty przyjęcia produktu przez Centralny Serwis Gwarancyjny;
 - b) termin usunięcia wady (punkt 7a) może być wydłużony o czas niezbędny do importu niezbędnych części zamiennych.
8. Klient otrzyma nowy sprzęt, jeżeli:
 - a) Centralny Serwis Gwarancyjny stwierdzi na piśmie, że usunięcie wady jest niemożliwe;
 - b) produkt nie podlega naprawie, tylko wymianie bez dokonywania naprawy.

9. O ile taki sam produkt jest nieosiągalny, może być wydany nowy produkt o nie gorszych parametrach.
10. Decyzja Centralnego Serwisu Gwarancyjnego Erpatech odnośnie zasadności zgłaszanych usterek jest decyzją ostateczną.
11. Gwarancją nie są objęte:
 - a) wadliwe działanie lub uszkodzenia spowodowane niewłaściwym użytkowaniem lub używaniem produktu niezgodnie z przeznaczeniem, instrukcją obsługi lub przepisami bezpieczeństwa.
 - b) wadliwe działanie lub uszkodzenia spowodowane przeciążaniem narzędzia, które prowadzi do uszkodzeń silnika, przekładni lub innych elementów a także stosowaniem osprzętu innego niż zalecany przez Stanley;
 - c) mechaniczne uszkodzenia produktu i wywołane nimi wady;
 - d) wadliwe działanie lub uszkodzenia na skutek działania pożaru, powodzi, czy też innych klęsk żywiołowych, nieprzewidzianych wypadków, korozji, normalnego zużycia w eksploatacji czy też innych czynników zewnętrznych;
 - e) produkty, w których naruszone zostały plomby gwarancyjne lub, które były naprawiane poza Centralnym Serwisem Gwarancyjnym lub były przerabiane w jakikolwiek sposób;
 - f) osprzęt eksploatacyjny dołączony do urządzenia oraz elementy ulegające naturalnemu zużyciu.
12. Centralny Serwis Gwarancyjny Erpatech, firmy handlowe, które sprzedały produkt, nie udzielają upoważnień ani gwarancji innych niż określone w karcie gwarancyjnej. W szczególności nie obejmują prawa klienta do domagania się zwrotu utraczonych zysków w związku z uszkodzeniem produktu.
13. Gwarancja nie wyłącza, nie ogranicza ani nie zawieszają uprawnień kupującego wynikających z niezgodności towaru z umową.

Centralny Serwis Gwarancyjny ERPATECH

ul. Bakaliowa 26, 05-080 Mościska
tel.: (22) 862-08-08, (22) 431-05-05
faks: (22) 862-08-09



ZÁRUČNÍ LIST



KARTA GWARANCYJNA



JÓTÁLLÁSI JEGY



ZÁRUČNÝ LIST



měsíců
 hónap

+

miesiące
 mesiacov

Výrobní kód	Datum prodeje	Razítko prodejny Podpis
Gyári szám	A vásárlás napja	Pecsét helye Aláírás
Numer seryjny	Data sprzedaży	Stempel Podpis
Číslo série	Dátum predaja	Pečiatka predajne Podpis

CZ
Adresy servisu
Band Servis
Klášterského 2
CZ-140 00 Praha 4
Tel.: 00420 244 403 247
Fax: 00420 241 770 167

Band Servis
K Pasekám 4440
CZ-76001 Zlín
Tel.: 00420 577 008 550,1
Fax: 00420 577 008 559
<http://www.bandservis.cz>

H
Rotel Kft. Központi
Garanciális-és Márkaszerviz
1163 Budapest
(Sashalom) Thököly út 17.
Tel.: 403-2260
Fax: 404-0014
www.rotelkft.hu

PL
Adres serwisu centralnego
ERPATECH
ul. Bakaliowa 26
05-080 Mościska
Tel.: 022-8620808
Fax: 022-8620809

SK
Adresa servisu
Band Servis
Paulínska ul. 22
SK-91701 Trnava
Tel.: 00421 335 511 063
Fax: 00421 335 512 624

CZ Dokumentace záruční opravy

PL Przebieg napraw gwarancyjnych

H A garanciális javítás dokumentálása

SK Záznamy o záručných opravách

CZ	Číslo	Datum příjmu	Datum zakázky	Číslo zakázky	Závada	Razítko Podpis
H	Sorszám	Bejelentés időpontja	Javítási időpont	Javítási munkalapszám	Hiba jelleg oka	Pecset Aláírás
	Jótállás új határideje					
PL	Nr.	Data zgłoszenia	Data naprawy	Nr. zlecenia	Przebieg naprawy	Stempel Podpis
SK	Číslo dodávky	Dátum nahlásenia	Dátum opravy	Číslo objednávky	Popis poruchy	Pečiatka Podpis

Destinația de utilizare

Fierăstrăul Stanley Fat Max KFFMES301 a fost conceput pentru tăierea lemnului și a produselor din lemn. Această unealtă este destinată utilizatorilor profesioniști și privați, neprofesioniști.

Instrucțiuni de siguranță

Avertizări generale de siguranță privind uneltele electrice



Avertisment! Citiți toate avertizările de siguranță și toate instrucțiunile. Nerespectarea avertizărilor și a instrucțiunilor enumerate în continuare poate conduce la electrocutare, incendii și/sau vătămări grave.

Păstrați toate avertizările și instrucțiunile pentru consultare ulterioară. Termenul „unealtă electrică” din toate avertizările enumerate mai jos se referă la unealta electrică (cu cablu) alimentată de la rețeaua principală de energie sau la unealta electrică (fără cablu) alimentată de la baterie.

1. Siguranța în zona de lucru

- Păstrați zona de lucru curată și bine iluminată.** Zonele dezordonate sau întunecate înlesnesc accidentele.
- Nu operați uneltele electrice în atmosfere explozive, cum ar fi în prezența lichidelor, gazelor sau pulberilor explozivi.** Uneltele electrice generează scântei ce pot aprinde pulberile sau vaporii.
- Țineți la distanță copiii și persoanele din jur în timp ce operați o unealtă electrică.** Distragerea atenției poate conduce la pierderea controlului.

2. Siguranța electrică

- Ștecherurile uneltelor electrice trebuie să se potrivească cu priza. Nu modificați niciodată ștecherul în vreun fel. Nu folosiți adaptoare pentru ștechere împreună cu uneltele electrice împământate (legate la masă).** Ștecherurile nemodificate și prizele compatibile vor reduce riscul de electrocutare.
- Evitați contactul corpului cu suprafețele împământate precum țevi, radiatoare, cuptoare și frigider.** Există un risc sporit de electrocutare în cazul în care corpul dumneavoastră este în contact cu suprafețele împământate sau legate la masă.
- Nu expuneți uneltele electrice la ploaie sau condiții de umezeală.** Apa care pătrunde într-o unealtă electrică va spori riscul de electrocutare.
- Nu manipulați necorespunzător cablul. Nu utilizați niciodată cablul pentru transportarea, tragerea sau scoaterea din priză a unelei electrice. Țineți cablul**

departe de căldură, ulei, muchii ascuțiți sau componente în mișcare. Cablurile deteriorate sau încurcate sporesc riscul electrocutării.

- Atunci când operați o unealtă de lucru în aer liber, utilizați un prelungitor pentru exterior.** Utilizarea unui cablu adecvat pentru exterior reduce riscul de electrocutare.
 - În cazul în care operarea unei unelte electrice într-un spațiu cu umiditate nu poate fi evitată, utilizați o alimentare cu dispozitiv de protecție la curent rezidual (RCD).** Utilizarea unui dispozitiv RCD reduce riscul electrocutării.
- ### 3. Siguranța corporală
- Fiți precauți, fiți atenți la utilizare și faceți uz de regulile de bun simț atunci când operați o unealtă electrică. Nu utilizați o unealtă electrică atunci când sunteți oboșiți sau când vă aflați sub influența drogurilor, alcoolului sau medicației.** Un moment de neatenție în timpul operării uneltelor electrice poate conduce la vătămări corporale grave.
 - Utilizați echipamentul de protecție corporală. Purtați întotdeauna ochelari de protecție.** Echipamentul de protecție precum măștile anti-praf, încălțăminte de siguranță antiderapantă, căștile sau dopurile pentru urechi utilizate pentru anumite condiții de lucru vor reduce vătămările corporale.
 - Preîntâmpinați pornirea accidentală. Asigurați-vă că comutatorul se află în poziția oprit înainte de conectarea la sursa de alimentare și/sau la acumulator, înainte de ridicarea sau transportarea uneltei.** Transportarea uneltelor electrice ținând degetul pe comutator sau alimentarea cu tensiune a uneltelor electrice ce au comutatorul în poziția pornit înlesnesc producerea accidentelor.
 - Îndepărtați orice cheie sau clește de reglare înainte de a porni unealta electrică.** O cheie sau un clește rămas atașat la o componentă rotativă a unelei electrice poate conduce la vătămări corporale.
 - Nu vă întindeți pentru a apuca unealta de lucru. Mențineți-vă întotdeauna stabilitatea și echilibrul.** Acest lucru permite un control mai bun al unelei electrice în situații neașteptate.
 - Îmbrăcați-vă corespunzător. Nu purtați îmbrăcăminte largă sau bijuterii. Feriți-vă părul, îmbrăcăminte și mânușile față de componentele în mișcare.** Îmbrăcăminte largă, bijuteriile sau părul lung pot fi prinse în componentele în mișcare.

g. În cazul în care dispozitivele prezintă posibilitatea conectării de accesorii pentru aspirația și colectarea prafului, asigurați-vă că aceste accesorii sunt conectate și utilizate în mod corespunzător. Utilizarea dispozitivelor de colectare a prafului poate reduce pericolele impuse de existența prafului.

4. Utilizarea și îngrijirea uneltelor electrice

a. Nu forțați unealta electrică. Utilizați unealta electrică adecvată pentru aplicația dvs. Unealta de lucru adecvată va efectua lucrarea mai bine și în mod mai sigur, în ritmul pentru care a fost concepută.

b. Nu utilizați unealta electrică în cazul în care comutatorul nu comută în poziția pornit și oprit. Orice unealtă electrică ce nu poate fi controlată cu ajutorul comutatorului este periculoasă și trebuie să fie reparată.

c. Deconectați ștecherul de la sursa de alimentare și/sau acumulatorul de la unealta electrică înaintea efectuării oricărui reglaje, modificării accesoriilor sau depozitării uneltelor electrice. Astfel de măsuri preventive de siguranță reduc riscul pornirii accidentale a uneltelor electrice.

d. Nu depozitați uneltele electrice în stare inactivă la îndemâna copiilor și nu permiteți persoanelor nefamiliarizate cu unealta de lucru sau cu aceste instrucțiuni să o utilizeze. Uneltele electrice sunt periculoase în mâinile utilizatorilor neinstruiți.

e. Efectuați întreținerea uneltelor electrice. Verificați alinierea necorespunzătoare sau blocarea componentelor în mișcare, ruperea componentelor și orice altă stare ce ar putea afecta operarea uneltelor electrice. În cazul deteriorării, prevedeți repararea unelei electrice înainte de utilizare. Multe accidente sunt cauzate de unelte electrice întreținute necorespunzător.

f. Păstrați uneltele de tăiat ascuțite și curate. Este puțin probabil ca uneltele de tăiat cu tășuri ascuțite și întreținute în mod corespunzător să se blocheze, acestea fiind mai ușor de controlat.

g. Utilizați unealta electrică, accesoriile și cuțitele unelei etc. conform acestor instrucțiuni, ținând cont de condițiile de lucru și de lucrarea ce trebuie să fie efectuată. Utilizarea unelei de lucru pentru operații diferite de cele conforme destinației de utilizare ar putea conduce la situații periculoase.

5. Service

a. Reparația unelei de lucru trebuie făcută de către o persoană calificată și folosind exclusiv piese de schimb identice. Astfel, vă asigurați că se menține siguranța în folosirea unelei.

Avertizări suplimentare de siguranță pentru unealta de lucru



Avertisment! Instrucțiuni de siguranță pentru toate fierăstraiele

Procedurile de tăiere

a. Țineți mâinile la distanță față de zona de tăiere și de lamă. Țineți cealaltă mână pe mânerul auxiliar sau pe carcasa motorului. Dacă ambele mâini țin fierăstrăul, nu există riscul să fie tăiate de lamă.

b. Nu întindeți mâinile sub piesa de prelucrat. Apărătoarea nu vă poate proteja de lamă sub piesa de prelucrat.

c. Reglați adâncimea de tăiere potrivit grosimii piesei de prelucrat. Mai puțin de un dinte întreg al dinților lamei ar trebui să fie vizibil sub piesa de prelucrat.

d. Nu țineți niciodată în mâini sau pe picior piesa pe care o tăiați. Fixați piesa de prelucrat pe o platformă stabilă. Este important să sprijiniți în mod adecvat piesa de prelucrat pentru a minimiza expunerea corpului, blocarea lamei sau pierderea controlului.

e. Țineți unealta electrică doar de suprafețele izolate pentru prindere atunci când efectuați o operație în care unealta de debitat poate atinge cabluri ascunse sau propriul cablu de alimentare. Contactul cu un cablu aflat sub tensiune va determina scurgerea curentului în componentele metalice expuse ale unelei electrice și poate cauza electrocutarea operatorului.

f. Atunci când efectuați spintecări, utilizați întotdeauna un ghidaj paralel sau o riglă de ghidare. Prin aceasta se îmbunătățește precizia tăieturii și se reduc șansele de blocare a lamei.

g. Utilizați întotdeauna lame de dimensiunea și forma corectă (diamantate față de rotunde) a orificiilor arborelui. Lamele care nu se potrivesc cu armăturile de montaj ale fierăstrăului vor funcționa excentric, determinând pierderea controlului.

h. Nu utilizați niciodată șaibe sau șuruburi deteriorate sau incorecte pentru lame. Șaibele și șurubul pentru lamă au fost special concepute pentru fierăstrăul dvs., pentru performanța și siguranța optime în timpul operării.

Instrucțiunile suplimentare de siguranță valabile pentru toate fierăstraiele

Cauzele producerii reculului și avertizările aferente acestuia

- ◆ reculul reprezintă reacția bruscă a unei lame agățate, blocate sau alinate incorect, ce determină deplasarea în sus a fierăstrăului, de pe piesa de prelucrat înspre operator;

- ◆ atunci când lama este prinsă sau blocată ferm ca urmare a închiderii tăieturii, lama se oprește și reacția motorului antrenează rapid unitatea înapoi, în direcția operatorului;
- ◆ dacă lama ajunge să se învârtă sau să fie nealinat în tăietură, dinții marginii posterioare a lamei pot săpa în suprafața superioară a lemnului, urmând ca lama să se ridice din tăietură și să sară înapoi, spre operator.

Reculul este rezultatul utilizării greșite și/sau procedurilor sau condițiilor incorecte de operare a fierăstrăului și pot fi evitate adoptând măsurile de precauție menționate în continuare.

- a. **Mențineți ambele mâini bine strânse pe fierăstrău și poziționați-le astfel încât să poată face față forțelor de recul. Poziționați-vă corpul pe oricare din lateralele lamei, însă nu în linie cu acesta.** Reculul poate cauza ricoșarea lamei înapoi, însă forțele de recul pot fi controlate de operator dacă sunt adoptate măsuri de precauție adecvate.
- b. **Atunci când lama se blochează sau atunci când interupeți o tăietură din orice motiv, eliberați comutatorul și țineți nemișcat fierăstrăul în material până când lama se oprește complet. Nu încercați niciodată să scoateți lama din material sau să trageți înapoi fierăstrăul în timp ce lama se mișcă; în caz contrar, se poate declanșa reculul.** Examinați și adoptați măsuri de corecție pentru a elimina cauza blocării lamei.
- c. **Atunci când reporniți fierăstrăul introdus în piesa de prelucrat, centrați lama acestuia în tăietură și verificați ca dinții lamei să nu fi intrat în material.** În cazul în care lama fierăstrăului se blochează, acesta poate să iasă din tăietură sau să ricoșeze din piesa de prelucrat atunci când fierăstrăul este repornit.
- d. **Sprîjiniți panourile mari pentru a minimiza riscul de agățare a lamei și de recul.** Panourile mari au tendința de a se îndoi sub propria greutate. Suporturile trebuie poziționate sub panou, pe ambele laturi, aproape de linia de tăiere și aproape de marginea panoului.
- e. **Nu folosiți lame boante sau deteriorate.** Lamele neascuțite sau incorect poziționate produc tăieturi înguste, cauzând fricțiune excesivă, blocarea lamei și recul.
- f. **Manetele de blocare pentru adâncimea lamei și reglarea înclinației trebuie să fie strânse și fixate înainte de efectuarea tăieturii.** Dacă reglajul lamei se deplasează în timpul efectuării tăieturii, ar putea determina blocarea sau reculul.
- a. **Acordați o atenție suplimentară atunci când efectuați tăieri în pereți existenți sau în alte zone fără vizibilitate.** Lama care pătrunde în material poate tăia obiecte ce pot cauza reculul.

liber și nu se închide imediat. Nu fixați sau nu legați niciodată apărătoarea inferioară în poziția deschis. În cazul scăpării accidentale a fierăstrăului, apărătoarea inferioară se poate îndoi. Ridicați apărătoarea inferioară cu mânerul de retragere și asigurați-vă că nu atinge lama sau orice altă componentă și că se mișcă liber în toate unghiurile și adâncimile de tăiere.

- b. **Verificați funcționarea arcului apărătorii inferioare. Dacă apărătoarea și arcul nu funcționează corect, acestea trebuie reparate înainte de utilizare.** Apărătoarea inferioară poate funcționa lent datorită pieselor deteriorate, depunerilor vâscoase sau acumularilor de reziduu.
- c. **Apărătoarea inferioară poate fi retrasă manual numai pentru tăieturile speciale precum „decupajele” și „tăieturile combinate”.** Ridicați apărătoarea inferioară cu mânerul de retragere și, de îndată ce lama pătrunde în material, apărătoarea inferioară trebuie eliberată. Pentru orice alte tipuri de tăiere cu fierăstrăul, apărătoarea inferioară ar trebui să funcționeze în mod automat.
- d. **Trebuie să verificați întotdeauna ca apărătoarea inferioară să acopere lama înainte de a poziționa fierăstrăul pe bancă sau podea.** O lamă neprotejată, care merge în gol va cauza ricoșarea înapoi a fierăstrăului care va tăia orice îi stă în cale. Fiți atenți la timpul necesar pentru ca lama să se oprească după eliberarea comutatorului.

Riscuri reziduale

Pot surveni riscuri reziduale suplimentare în timpul utilizării uneltei, riscuri ce este posibil să nu fie incluse în avertizările de siguranță atașate. Aceste riscuri pot fi determinate de utilizarea incorectă, utilizarea prelungită etc. Nici măcar în cazul aplicării regulamentelor de siguranță corespunzătoare și implementării dispozitivelor de siguranță, anumite riscuri reziduale nu pot fi evitate. Acestea includ:

- ◆ Vătămări cauzate de atingerea componentelor în rotire/mișcare.
- ◆ Vătămări cauzate în momentul schimbării componentelor, lamelor sau accesoriilor.
- ◆ Vătămări cauzate de utilizarea prelungită a unei unelte. La utilizarea unei unelte pe perioade prelungite, asigurați-vă că faceți pauze la intervale regulate.
- ◆ Afectarea auzului.
- ◆ Pericole asupra sănătății cauzate de inhalarea prafului rezultat în urma utilizării uneltei (exemplu:- prelucrarea lemnului, în special a stejarului, fagulii și MDF).

Funcția apărătoarei inferioare

- a. **Înainte de fiecare utilizare, verificați închiderea corespunzătoare a apărătorii inferioare. Nu operați fierăstrăul dacă apărătoarea inferioară nu se mișcă**

Lamele fierăstrăului

- ◆ Nu utilizați lame de diametru mai mare sau mai mic decât cel recomandat. Pentru dimensionarea adecvată a discurilor, consultați specificațiile tehnice. Utilizați exclusiv lamele menționate în acest manual, ce respectă standardul EN 847-1.
- ◆ **Avertisment!** Nu folosiți niciodată lame abrazive.

Siguranța persoanelor din jur

- ◆ Acest aparat nu este destinat utilizării de către persoane (inclusiv copii) cu capacități fizice, senzoriale sau mentale reduse sau de către persoane lipsite de experiență și cunoștințe, cu excepția cazurilor în care acestea au fost supravegheate și instruite cu privire la utilizarea mașinii de către o persoană responsabilă pentru siguranța lor.
- ◆ Copiii trebuie să fie supravegheați, pentru a vă asigura că nu se joacă cu aparatul.

Vibrațiile

Valorile declarate ale emisiilor de vibrații, menționate în specificația tehnică și în declarația de conformitate au fost măsurate în conformitate cu metoda standard de testare prevăzută de norma EN 60745 și pot fi utilizate pentru compararea diverselor unelte. Valoarea declarată a emisiilor de vibrații poate fi utilizată, de asemenea, în cadrul unei evaluări preliminare în privința expunerii.

Avertisment! Valoarea emisiilor de vibrații în timpul utilizării efective a unelei electrice poate diferi de valoarea declarată în funcție de modalitățile de utilizare ale unelei. Nivelul vibrațiilor poate crește peste nivelul menționat.

În cazul evaluării expunerii la vibrații în scopul de a determina măsurile de siguranță solicitate de Directiva 2002/44/CE pentru protejarea persoanelor ce folosesc periodic unelte electrice la locul de muncă, trebuie avută în vedere o estimare a expunerii la vibrații, condițiile efective de utilizare și modalitatea de utilizare a unelei, luând totodată în calcul toate componentele ciclului de operare precum perioadele în care unealta este oprită și în care funcționează în gol, pe lângă perioadele în care survine blocarea acesteia.

Etichetele prezente pe unealtă

Simbolurile următoare, împreună cu codul de dată sunt afișate pe unealtă:



Avertisment! Pentru a reduce riscul vătămării, utilizatorul trebuie să citească manualul de instrucțiuni.

Siguranța electrică



Această unealtă prezintă izolare dublă; prin urmare, nu este necesară împământarea. Verificați întotdeauna ca alimentarea cu energie să corespundă tensiunii de pe plăcuța cu specificații.

- ◆ În cazul în care cablul de alimentare este deteriorat, acesta trebuie să fie înlocuit de producător sau de către un Centru de Service Stanley Fat Max autorizat pentru a evita orice pericol.

Descriere

Această unealtă dispune de unele sau de toate caracteristicile următoare.

1. Comutator de pornire/oprire
2. Buton de blocare
3. Ax
4. Mâner secundar
5. Buton de blocare a axului
6. Talpă
7. Lamă de fierăstrău
8. Apărătoarea lamei de fierăstrău
9. Mâner apărătoare
10. Orificiu de evacuare a prafului rezultat în urma tăierii

Asamblarea

Avertisment! Înainte de a încerca efectuarea oricăreia dintre operațiile de mai jos, asigurați-vă că unealta este oprită și deconectată și că lama fierăstrăului nu se mișcă.

Demontarea și montarea unei lame de fierăstrău (fig. A)

Demontarea

- ◆ Țineți liber butonul de blocare a axului (5) și rotiți lama până când acesta se cuplează.
- ◆ Slăbiți și demontați șurubul de fixare a lamei (11) rotindu-l în sens invers acelor de ceasornic cu ajutorul cheii (12) din dotare.
- ◆ Scoateți șaiba externă (13).
- ◆ Scoateți lama de fierăstrău (7).

Montarea

- ◆ Poziționați lama de fierăstrău pe flanșa internă (14), asigurându-vă că săgeata de pe lamă indică în aceeași direcție cu săgeata de pe unealtă.
- ◆ Poziționați șaiba externă (13) pe ax, cu zona în relief orientată în direcția opusă lamei de fierăstrău.
- ◆ Introduceți șurubul de fixare a lamei (11) în orificiu.
- ◆ Țineți butonul de blocare a axului (5) liber.
- ◆ Strângeți bine șurubul de fixare a lamei rotindu-l în sensul acelor de ceasornic cu ajutorul cheii (12) din dotare.

Montarea și demontarea ghidajului paralel (fig. B)

- ◆ Ghidajul paralel este utilizat pentru efectuarea tăieturilor cu fierăstrăul în linie dreaptă, paralel cu marginea piesei de prelucrat.

Montarea

- ◆ Slăbiți butonul de blocare (16).
- ◆ Introduceți ghidajul paralel (17) prin deschizătura (18).
- ◆ Glisați ghidajul paralel în poziția dorită.
- ◆ Strângeți butonul de blocare.

Demontarea

- ◆ Slăbiți butonul de blocare.
- ◆ Trageți ghidajul paralel de pe unealtă.

Utilizarea

Avertisment! Lăsați unealta să funcționeze în ritmul propriu. Nu o suprasolicitați.

Această unealtă poate fi operată cu mâna dreaptă sau cu mâna stângă.

Reglarea unghiului de tăiere (fig. C)

- ◆ Folosiți un echer pentru a verifica dacă unghiul dintre lama de tăiere și talpă este de 90°. Dacă unghiul nu măsoară 90°, faceți următoarele modificări:
 - ◆ Slăbiți butonul de blocare (19) pentru a debloca talpa fierăstrăului.
 - ◆ Slăbiți piulița de blocare (20) de pe șurubul de reglare (21).
 - ◆ Înfiletați șurubul de reglare înăuntru sau în afară pentru a obține unghiul de 90°.
 - ◆ Strângeți la loc piulița de blocare.
 - ◆ Strângeți butonul de blocare pentru a bloca talpa fierăstrăului pe poziție.

Reglarea adâncimii de tăiere (fig. D)

Adâncimea de tăiere trebuie reglată potrivit grosimii piesei de prelucrat. Trebuie să depășească grosimea acesteia cu aprox. 2 mm.

- ◆ Slăbiți butonul (20) pentru a debloca talpa fierăstrăului.
- ◆ Deplasați ghidajul fierăstrăului (6) în poziția dorită. Adâncimea corespunzătoare a tăieturii poate fi citită pe gradație (21).
- ◆ Strângeți butonul pentru a bloca talpa fierăstrăului pe poziție.

Reglarea unghiului înclinat (fig. E)

Această unealtă poate fi setată pentru tăieturi la unghiuri înclinate între 0° și 45°.

- ◆ Slăbiți butonul de blocare (19) pentru a debloca talpa fierăstrăului.

- ◆ Deplasați ghidajul fierăstrăului (6) în poziția dorită. Înclinația unghiului corespunzătoare a tăieturii poate fi citită pe gradație (24).
- ◆ Strângeți butonul de blocare pentru a bloca talpa fierăstrăului pe poziție.

Pornirea și oprirea

- ◆ Pentru a porni unealta, deplasați butonul de deblocare (2) în poziția de deblocare și apăsați comutatorul de pornire/oprire (1).
- ◆ Pentru a opri unealta, eliberați comutatorul de pornire/oprire.

Tăierea cu fierăstrăul

Țineți întotdeauna unealta cu ambele mâini.

- ◆ Lăsați lama să se miște liber pentru câteva secunde înainte de a începe efectuarea tăieturii.
- ◆ Aplicați o presiune ușoară pe unealtă în timpul efectuării tăieturii.
- ◆ Lucrați cu talpa fierăstrăului apăsată pe piesa de prelucrat.

Notă: Fiți atenți să nu lăsați vârful lamei să se supraîncălzească.

Utilizarea ghidajului lateral (fig. F)

Unealta este dotată cu un ghidaj lateral pentru tăieturi drepte (25).

- ◆ Reglați ghidajul lateral conform instrucțiunilor de mai jos.
- ◆ Aliniați marginea din stânga a ghidajelor (25) cu linia de tăiere (26).

Extractor de praf

Este necesar un adaptor pentru conectarea unui aspirator sau a unui aparat de extragere a prafului la unealtă.

- ◆ Introduceți adaptorul de extragere a prafului în orificiul de evacuare a prafului (10).
- ◆ Conectați furtunul aspiratorului la adaptor.

Sfaturi pentru utilizarea optimă

- ◆ Utilizați întotdeauna tipul de lamă de fierăstrău adecvat pentru materialul piesei de prelucrat și pentru tipul de tăietură.
- ◆ Țineți întotdeauna unealta cu ambele mâini.
- ◆ Lăsați lama să se miște liber pentru câteva secunde înainte de a începe efectuarea tăieturii.
- ◆ Aplicați o presiune ușoară pe unealtă în timpul efectuării tăieturii.
- ◆ Lucrați cu talpa fierăstrăului apăsată pe piesa de prelucrat.
- ◆ Deoarece o oarecare așchiere de-a lungul liniei de tăiere pe partea superioară a piesei de prelucrat nu poate fi evitată, tăiați pe partea pe care așchiera este acceptabilă.

- ◆ În cazul în care este necesară reducerea la minim a așchierii, de ex. în cazul tăierii laminatelor, prindeți o bucată de placaj de partea superioară a piesei de prelucrat.
- ◆ Sprijiniți panourile mari pentru a minimiza riscul de agățare a lamei și de recul. Panourile mari au tendința de a se îndoi sub propria greutate.
- ◆ Suporturile trebuie poziționate sub panou, pe ambele laturi, aproape de linia de tăiere și aproape de marginea panoului ce trebuie tăiat.
- ◆ Nu țineți niciodată în mâini sau pe picior piesa pe care o tăiați.
- ◆ Fixați piesa de prelucrat pe o platformă stabilă folosind cleme. Este important să sprijiniți în mod adecvat piesa de prelucrat pentru a minimiza expunerea corpului, blocarea lamei sau pierderea controlului.

Întreținerea

Aparatul/unealta dvs. Stanley® FatMax®, cu/fără cablu de alimentare, a fost conceput pentru a opera o perioadă îndelungată de timp, cu un nivel minim de întreținere. Funcționarea satisfăcătoare continuă depinde de îngrijirea corespunzătoare a unelei și de curățarea periodică.

Avertisment! Înainte de efectuarea operațiilor de întreținere pe uneltele electrice cu cablu/fără cablu:

- ◆ Opriti și deconectați de la priză aparatul/unealta.
- ◆ Sau opriti aparatul și scoateți acumulatorul din aparat/unealtă dacă acesta/aceasta dispune de un acumulator separat.
- ◆ Sau descărcați complet bateria dacă este plină și apoi opriti uneltea.
- ◆ Deconectați încărcătorul înainte de curățarea acestuia. Încărcătorul nu necesită nicio operație de întreținere în afara curățării periodice.
- ◆ Curățați în mod regulat fantele de ventilare de pe aparat/unealtă/încărcător, folosind o perie moale sau o cârpă uscată.
- ◆ Curățați în mod regulat carcasa motorului folosind o cârpă umedă.
Nu utilizați nicio soluție de curățare abrazivă sau pe bază de solvenți.
- ◆ Deschideți în mod regulat mandrina (dacă este montată) și îndepărtați praful din interior.

Înlocuirea ștecherului de alimentare (numai pentru Regatul Unit și Irlanda)

Dacă trebuie instalat un ștecher de alimentare de la rețeaua electrică:

- ◆ Eliminați în siguranță ștecherul vechi.
- ◆ Conectați cablul maro la borna sub tensiune din ștecherul nou.
- ◆ Conectați conductorul albastru la borna neutră.

Avertisment! Nu trebuie efectuată nicio conexiune la borna de împământare.

Urmați instrucțiunile de montaj furnizate împreună cu ștecherule de bună calitate.

Siguranță recomandată: 13 A.

Protejarea mediului înconjurător



Colectarea selectivă. Produsele și acumulatorii marcați cu acest simbol nu trebuie să fie aruncate împreună cu gunoiul menajer.

Produsele și acumulatorii conțin materiale care pot fi recuperate sau reciclate, reducând cererea de materii prime. Vă rugăm să reciclați produsele electrice și bateriile în conformitate cu prevederile locale. Mai multe informații sunt disponibile la www.2helpU.com

Specificații tehnice

KFFMES301 (Tip 1)		
Tensiune de intrare	V _{ca}	230
Putere absorbită	W	1650
Turație în gol	Min ⁻¹	5500
Adâncimea maximă de tăiere	mm	66
Diametrul lamei	mm	190
Alezaj lamă	mm	16
Lățimea vârfului lamei	mm	1,8
Greutate	kg	3,9 (4,31 cu lamă)

Nivelul presiunii sonore conform cu EN 60745:

Presiune sonoră (L_{pa}) 89,0 dB(A), marjă (K) 3 dB(A)

Putere sonoră (L_{wa}) 100 dB(A), marjă (K) 3 dB(A)

Valorile totale ale vibrațiilor (suma vectorială a trei axe) conform cu EN 60745:

Valoarea emisilor de vibrații (a_{v,w}) 2,6 m/s², marjă (K) 1,5 m/s² (tăierea lemnelui)

Declarație de conformitate CE DIRECTIVA PENTRU UTILAJE



Fierăstrău circular - KFFMES301

Stanley Europe declară că aceste produse descrise în „Specificații tehnice” sunt conforme cu normele: EN60745-1:2009+A11:2010, EN60745-2-5:2010

Aceste produse sunt, de asemenea, conforme cu Directiva 2006/42/EC, 2014/30/EU și 2011/65/EU.

Pentru informații suplimentare, vă rugăm să contactați Stanley Fat Max la următoarea adresă sau să consultați coperta din spate a manualului.

Subsemnatul este responsabil pentru întocmirea dosarului tehnic și face această declarație în numele Stanley Fat Max.

R. Laverick
Director tehnic
Stanley Fat Max Europe, 210 Bath Road, Slough,
Berkshire, SL1 3YD
Regatul Unit al Marii Britanii
02.07.2018

Garanție

Stanley Europe are încredere în calitatea produselor sale și vă oferă clienților o garanție de 12 de luni de la data achiziției. Această garanție completează și nu prejudiciază în niciun fel drepturile dumneavoastră legale. Garanția este valabilă pe teritoriile Statelor Membre ale Uniunii Europene și în Zona Europeană de Comerț Liber.

Pentru a revendica garanția, cererea trebuie să fie în conformitate cu Termenii și condițiile Stanley Europe și clientul va trebui să prezinte dovada de cumpărare la vânzător sau la un agent de reparații autorizat.

Termenii și condițiile garanției Stanley Europe de 1 an și localizarea celui mai apropiat agent de reparații autorizat pot fi obținute de pe Internet la www.2helpU.com, sau contactând biroul Stanley Fat Max la adresa indicată în prezentul manual.

Vă rugăm să vizitați site-ul nostru www.stanley.eu/3 pentru a înregistra noul produs Stanley Fat Max și pentru a fi informat cu privire la produsele noi și ofertele speciale.

Garanție

Stanley Europe are încredere în calitatea produselor sale și oferă o garanție excelentă pentru utilizatorii profesioniști ai acestui produs. Această declarație de garanție completează și nu prejudiciază în niciun fel drepturile dvs. legale, în calitate de utilizator privat, non-profesionist. Garanția este valabilă pe teritoriile Statelor Membre ale Uniunii Europene și în Zona Europeană de Comerț Liber.

GARANȚIE TOTALĂ PE UN AN

Dacă produsul dvs. Stanley Fat Max se defectează din cauza materialelor sau a execuției defectuoase în termen de 12 luni de la data achiziției, Stanley Europe garantează înlocuirea gratuită a tuturor pieselor defecte sau înlocuirea gratuită, la latitudinea noastră, a unității cu condiția ca:

- ◆ Produsul să nu fi fost manipulat în mod incorect și să fi fost utilizat conform manualului de instrucțiuni.
- ◆ Produsul să prezinte urme de uzură și deteriorare normale;
- ◆ Reparațiile să nu fi fost efectuate de persoane neautorizate;
- ◆ Să se facă dovada achiziției.
- ◆ Produsul Stanley Fat Max să fie returnat complet, cu toate componentele sale originale.

Dacă doriți să faceți o reclamație, contactați distribuitorul local sau verificați locația celui mai apropiat agent autorizat de reparații Stanley Fat Max din catalogul Stanley Fat Max sau contactați biroul local Stanley la adresa indicată în acest manual. O listă completă a agenților autorizați de reparații Stanley Fat Max, precum și detalii complete ale serviciilor post vânzare sunt disponibile pe Internet, la adresa: www.stanley.eu/3

Stanley Black & Decker
Phoenicia Business Center
Strada Turturelelor, nr 11A, Etaj 6, Modul 15,
Sector 3 Bucuresti
Telefon: +4021.320.61.04/05

Kullanım amacı

Stanley Fat Max KFFMES301 dairesel testereniz ahşap ve ahşap ürünleri kesmek için tasarlanmıştır. Bu alet profesyonel, özel ve profesyonel dışı kullanıma yöneliktir.

Güvenlik talimatları

Genel elektrikli alet güvenlik talimatları



Uyarı! Bütün güvenlik uyarılarını ve talimatlarını mutlaka okuyun. Aşağıda listelenen uyarı ve talimatlara uyulmaması elektrik şoku, yangın ve/veya ciddi boyutta yaralanmalara neden olabilir.

Bütün uyarı ve güvenlik talimatlarını ilerde bakmak üzere muhafaza edin. Aşağıda yer alan uyarılardaki "elektrikli alet" terimi şebeke elektriğiyle (kablolu) veya akü/pille (şarjlı) çalışan elektrikli aletinizi ifade etmektedir.

1. Çalışma alanının güvenliği

- Çalışma alanınızı temiz ve aydınlık tutun.** Dağınık ve karanlık alanlar kazaya davetiye çıkarır.
- Elektrikli aletleri, yanıcı sıvılar, gazlar ve tozların bulunduğu yerler gibi yanıcı ortamlarda çalıştırmayın.** Elektrikli aletler, toz veya dumanları ateşleyebilecek kıvılcımlar çıkarır.
- Bir elektrikli aleti çalıştırırken çocuklardan ve etraftaki kişilerden uzak tutun.** Dikkatinizi dağıtıcı şeyler kontrolü kaybetmenize neden olabilir.

2. Elektrik güvenliği

- Elektrikli aletlerin fişleri prizlere uygun olmalıdır.** Fiş üzerinde kesinlikle hiçbir değişiklik yapmayın. Topraklı elektrikli aletlerde hiçbir adaptör fişi kullanmayın. Değiştirilmemiş fişler ve uygun prizler elektrik çarpması riskini azaltacaktır.
- Borular, radyatörler, mutfak ocakları ve buz dolapları gibi topraklanmış yüzeylerle vücudunuzun temas etmesini engelleyin.** Vücudunuzun topraklanması halinde yüksek bir elektrik çarpması riski vardır.
- Elektrikli aletleri yağmura maruz bırakmayın veya ıslatmayın.** Elektrikli alete su girmesi elektrik çarpması riskini arttıracaktır.
- Elektrik kablosunu uygun olmayan amaçlarla kullanmayın.** Elektrikli aleti kesinlikle kablosundan tutarak taşımayın, çekmeyin veya prizden çıkartmayın. Kabloyu sıcağın, yağdan, keskin kenarlardan veya hareketli parçalardan uzak tutun. Hasarlı veya dolaşmış kablolar elektrik çarpması riskini artırır.
- Elektrikli bir aleti açık havada çalıştırıyorsanız, açık havada kullanıma uygun bir uzatma kablosu kullanın.**

Açık havada kullanıma uygun bir kablunun kullanılması elektrik çarpması riskini azaltır.

- Elektrikli aletin nemli ortamda çalıştırılması kaçınılmazsa, bir artık akım cihazı (RCD) korumalı besleme kullanın.** RCD kullanılması elektrik şoku riskini azaltır.
- Kişisel güvenlik**
 - Elektrikli bir aleti kullanırken her zaman dikkatli olun, yaptığınız işe yoğunlaşın ve sağduyulu davranın. Elektrikli bir aleti yorgunken veya ilaç ya da alkolün etkisi altındayken kullanmayın.** Elektrikli aletleri kullanırken bir anlık dikkatsizlik ciddi kişisel yaralanmayla sonuçlanabilir.
 - Kişisel koruyucu ekipman kullanın. Daima koruyucu gözlük takın.** Koşullara uygun toz maskesi, kaymayan güvenlik ayakkabıları, baret veya kulaklık gibi koruyucu donanımların kullanılması kişisel yaralanmaları azaltacaktır.
 - İstem dışı çalıştırılmasını önleyin. Cihazı güç kaynağına ve/veya aküye bağlamadan, yerden kaldırmadan veya taşımadan önce düğmenin kapalı konumunda olduğundan emin olun.** Aleti, parmağınız tetik üzerinde bulunacak şekilde taşımak veya açık durumdaki elektrikli aletleri elektrik şebekesine bağlamak kazaya davetiye çıkarır.
 - Elektrikli aleti açmadan önce tüm ayarlama anahtarlarını çıkartın.** Elektrikli aletin hareketli bir parçasına takılı kalmış bir anahtar kişisel yaralanmaya neden olabilir.
 - Ulaşmakta zorlandığınız yerlerde kullanmayın. Daima sağlam ve dengeli basın.** Bu, beklenmedik durumlarda elektrikli aletin daha iyi kontrol edilmesine olanak tanır.
 - Uygun şekilde giyinin. Bol elbiseler giymeyin ve takı takmayın. Saçınızı, elbiselerinizi ve eldivenlerinizi hareketli parçalardan uzak tutun.** Bol elbiseler ve takılar veya uzun saç hareketli parçalara takılabilir.
 - Toz çekme ve toplama araç-gereçlerinin bağlanması için cihazlar verilmesi halinde, bunların uygun biçimde bağlanması ve kullanılması sağlansın.** Bu cihazların kullanılması tozla ilgili tehlikeleri azaltabilir.
 - Elektrikli aletlerin kullanımı ve bakımı**
 - Elektrikli aleti zorlamayın. Uygulamanız için doğru elektrikli aleti kullanın.** Doğru elektrikli alet, belirlendiği kapasite ayarında kullanıldığında daha iyi ve güvenli çalışacaktır.
 - Tetik açılmasını ve kapanmasını sağlamıyorsa elektrikli aleti kullanmayın.** Düğmeyle kontrol edilemeyen tüm elektrikli aletler tehlikelidir ve tamir edilmesi gerekmektedir.

- c. **Herhangi bir ayarlama, aksesuar değişimi veya elektrikli aletlerin saklanması öncesinde fişi güç kaynağından çekin ve/veya aküyü aletten ayırın.** Bu tür önleyici güvenlik tedbirleri elektrikli aletin istem dışı çalıştırılma riskini azaltacaktır.
- d. **Elektrikli aleti, çocukların ulaşamayacağı yerlerde saklayın ve elektrikli aleti kullanmayı veya bu talimatları bilmeyen kişilerin elektrikli aleti kullanımına izin vermeyin.** Elektrikli aletler, eğitimsiz kullanıcıların elinde tehlikelidir.
- e. **Elektrikli aletlerin bakımını yapın.** Hareketli parçalardaki hizalama hatalarını ve tutuklukları, parçalardaki kırılmalar ve elektrikli aletin çalışmasını etkileyebilecek tüm diğer koşulları kontrol edin. Hasarlı ise, elektrikli aleti kullanmadan önce tamir ettirin. Kazaların çoğu, elektrikli aletlerin bakımının yeterli şekilde yapılmamasından kaynaklanır.
- f. **Kesim aletlerini keskin ve temiz tutun.** Bakımı uygun şekilde yapılmış keskin kesim uçlu kesim aletlerinin sıkışma ihtimali daha düşüktür ve kontrol edilmesi daha kolaydır.
- g. **Elektrikli aleti, aksesuarlarını ve aletin diğer parçalarını kullanırken bu talimatlara mutlaka uyun ve çalışma ortamının koşullarını ve yapılacak işin ne olduğunu göz önünde bulundurun.** Elektrikli aletin öngörülen işlemler dışındaki işlemler için kullanılması tehlikeli durumlara neden olabilir.
5. **Servis**
- a. **Elektrikli aletinizi, sadece orijinal yedek parçaları kullanıldığı yetkili servise tamir ettirin.** Bu, elektrikli aletin güvenliğinin muhafaza edilmesini sağlayacaktır.

Elektrikli aletler için ek güvenlik talimatları



Uyarı! Tüm testereleer için güvenlik talimatları

Kesme prosedürleri

- a. **Ellerinizi kesme alanında ve bıçaktan uzak tutun.** İkinci elinizi yardımcı kol ya da motor gövdesi üzerinde tutun. Her iki el de testereyi tutarsa bıçak tarafından kesilemez.
- b. **İş parçasının altına doğru uzanmayın.** Siper iş parçasının altında sizi bıçaktan koruyamaz.
- c. **Kesme derinliğini iş parçasının kalınlığına göre ayarlayın.** İş parçasının altından en fazla bir tam diş bویy görülmelidir.
- d. **Kesilecek parçayı asla elinizle veya bacaklarınızın üzerinde tutmayın.** İş parçasını stabil bir platforma sabitleyin. Bıçak sarmasını, maruz kalan vücut kısmını, kontrol kaybını ya da yaralanmayı en aza indirmek için işi uygun şekilde desteklemek önemlidir.

- e. **Kesici aletin, gömülü elektrik kablolarına veya kendi kablosuna temas etmesine yol açabilecek durumlarda elektrikli aleti yalnızca izole edilmiş sapsarından tutun.** Elektrik akımı bulunan kablolarla teması halinde akım elektrikli aletin iletken metal parçaları üzerinden operatöre iletilerek elektrik çarpmasına yol açabilir.
- f. **Yarma sırasında her zaman bir yarma korkuluğu ya da düz kenarlı bir kılavuz kullanın.** Bu, kesme doğruluğunu artırır ve bıçak sarması şansını azaltır.
- g. **Her zaman doğru boyut ve şekilde mil deliği olan bıçaklar (elmasa karşı yuvarlak) kullanın.** Montaj donanımına uygun olmayan bıçaklar eksantrik çalışıp kontrol kaybına neden olacaktır.
- h. **Hiçbir zaman hasarlı ya da yanlış bıçak pulları ya da civataları kullanmayın.** Bıçak pulları ve civata, optimum performans ve çalışma güvenliği için testere için özel olarak tasarlanmıştır.

Testereleer için Ek Güvenlik Talimatları

Geri tepme nedenleri ve ilgili uyarılar

- ◆ Geri tepme, sıkışan, yapışan ya da hizalanmayan bir testere bıçağına karşı ani bir tepkidir ve testerenin kontrolsüz bir şekilde iş parçasının içinden fırlayarak operatöre savrulmasına neden olur;
- ◆ Bıçak sıkıştığında ya da kesiciye yapıştığında, bıçak durur ve motor tepkisi cihazı hızla operatöre doğru savurur;
- ◆ Bıçak kesdiğin içinde burkultur ya da hizası bozulursa, bıçağın arka tarafındaki dişler ahsabın üst yüzeyine saplanarak bıçağın kesikten dışarı çıkmasına ve operatöre doğru sıçramasına neden olabilir.

Geri tepme, testerenin yanlış kullanılmasından ve/veya hatalı kullanma prosedürü veya şartlarından kaynaklanır ve aşağıda verilen uygun tedbirler alınarak önlenir.

- a. **Testereyi her iki elinizde sıkı bir şekilde kavrayın ve kollarınızı geri tepmeye karşı koyacak bir konumda tutun.** Gövdenizi bıçağın kenarında tutun, bıçak ile hizalı tutmayın. Geri tepme testerenin geri sıçramasına neden olabilir, ancak geri tepme kuvvetleri, uygun güvenlik önlemleri alındığında operatör tarafından kontrol edilebilir.
- b. **Bıçak sıkıştığında ya da kesim herhangi bir nedenle kesildiğinde, tetiği bırakın ve bıçak durana kadar testereyi malzemenin içinde hareketsiz tutun.** Hiçbir zaman bıçak hareket halindeyken testereyi parçadan çıkarmaya ya da geri çekmeye çalışmayın, aksi halde geri tepme olabilir. Bıçağın sıkışma yapmasının nedenini araştırın ve gidermek için gerekli düzeltmeleri yapın.
- c. **İş parçasının içinde bir testereyi yeniden çalıştırırken, testere bıçağını kesdiğin içinde ortalayın ve testere dişlerinin malzemeye temas etmediğini kontrol edin.** Testere bıçağı sıkıştırsa, yeniden çalıştırıldığında dışarı yürüyebilir ya da iş parçasından geri tepebilir.

- d. **Bıçağın sıkışması ve geri tepmesi riskini en aza indirmek için büyük parçaları destekleyin.** Büyük parçalar kendi ağırlıklarından dolayı bel vermeye meyillidirler. İş parçasının kesim hattına yakın bir noktaya ve diskin her iki tarafına olacak şekilde parçanın altına destek yerleştirilmelidir.
- e. **Kör ya da hasarlı bıçakları kullanmayın.** Bilenmemiş ya da yanlış ayarlanmış bıçaklar dar bir çentik üretir ve aşırı sürtünmeye, bıçağın sıkışmasına ve geri tepmeye neden olur.
- f. **Kesim yapmadan önce bıçak derinliği ve açığı ayarlayarak kesim kollarını sıkı ve emniyete alınmış olmalıdır.** Bıçak ayarı kesim sırasında kayarsa, sıkışmaya ve geri tepmeye neden olabilir.
- a. **Varolan duvarlarda veya diğer kör alanlarda "delik kesimi" yaparken daha fazla özen gösterin.** Dalan bıçak geri tepmeye neden olabilecek nesnelere kesebilir.

Alt koruma işlevi

- a. **Her kullanımı öncesinde siperin doğru şekilde kullandığını kontrol edin. Alt siper serbest hareket etmiyorsa ve hemen kapanıyorsa testereyi çalıştırmayın. Alt siperi asla açık pozisyonda sıkıştırmayın veya bağlamayın.** Testere yanlışlıkla düşerse alt siper bükülebilir. Alt muhafazayı geri çekme koluyla kaldırın ve serbestçe hareket ettirdiğinden ve bıçağın veya herhangi bir parçanın, tüm açılarda ve kesme derinliklerinde temas etmediğinden emin olun.
- b. **Alt siper yayının çalışmasını kontrol edin. Siper ve yay düzgün çalışmıyorsa kullanmadan önce servise alınmalıdır.** Siper, arızalı parçalar, yapışkan tortular ya da biriken pislikler nedeniyle yavaş çalışabilir.
- c. **Alt siper yalnızca "daldırarak kesim" ve "bileşik kesim" gibi özel kesim işlemlerinde manuel olarak hareket ettirilmelidir.** Bıçak malzemeye girince alt siperi hareketli kolu kullanarak kaldırın, alt siper serbest bırakılmamalıdır. Tüm diğer kesme işlemleri için, alt siper otomatik olarak çalışmalıdır.
- d. **Testereyi tezgaha ya da zemine yerleştirmeden önce her zaman alt siperin bıçağı örtüğünü gözleyin.** Korumasız, hızlı dönen bir bıçak, testerenin geriye doğru yürütülmesine ve önüne ne çıkarsa çıkınsa kesmesine neden olacaktır. Düşme bırakıldıktan sonra bıçağın durması için gereken süreye dikkat edin.

Kalıcı riskler

Alet kullanılırken, ekteki güvenlik uyarılarında bulunmayan ek kalıcı riskler oluşabilir. Bu riskler, yanlış kullanım, uzun süreli kullanım vb. sonucu oluşabilir.

İlgili güvenlik talimatlarına uyulması ve güvenlik aletlerinin kullanılması halinde bile bazı kalıcı riskler engellenemeyebilir.

Bunlar aşağıdakileri içermektedir:

- ◆ Dönen/hareket eden parçalara dokunarak yaralanmalar.
- ◆ Parça, bıçak veya aksesuar değiştirirken oluşan yaralanmalar.
- ◆ Aletin uzun süreli kullanılmasıyla oluşan yaralanmalar. Herhangi bir alet uzun süre kullanıldığında düzenli aralar vermeye özen gösterin.
- ◆ İşitme kaybı.
- ◆ Alet kullanılırken oluşan tozun solunmasıyla ortaya çıkan sağlık sorunları (örneğin: ahşap (özellikle meşe), ağartıcı ve MDF ile çalışırken).

Testere Bıçakları

- ◆ Önerilenden büyük ya da küçük çapta bıçaklar kullanmayın. Uygun bıçak sınıfı için teknik verilere bakın. Yalnızca bu kılavuzda belirtilen, EN 847-1 ile uyumlu bıçakları kullanın.
- ◆ **Uyarı!** Asla aşındırıcı diskler kullanmayın.

Diğer kişilerin güvenliği

- ◆ Cihaz, güvenliklerinden sorumlu kişi gözetiminde cihazın kullanımı hakkında bilgi verilmeksizin, sınırlı fiziksel (çocuklar dahil), duyuşsal veya zihinsel kapasiteli veya deneyimsiz ve bilgisiz kişiler tarafından kullanılmamalıdır.
- ◆ Cihazla oynamadıklarından emin olmak için çocuklar gözetim altında tutulmalıdır.

Titreşim

Teknik veriler ve uygunluk beyanı içerisinde belirtilen titreşim emisyon değerleri EN60745 tarafından belirlenen standart bir test yöntemine uygun olarak ölçülmektedir ve diğer bir aletle karşılaştırma yaparken kullanılabilir. Beyan edilen titreşim emisyon değeri aynı zamanda maruz kalmanın önceden değerlendirilmesinde de kullanılabilir.

Uyarı! Elektrikli aletin mevcut kullanım sırasındaki titreşim emisyon değeri, aletin kullanım yöntemine bağlı olarak, beyan edilen değere göre farklılık sergileyebilir. Titreşim düzeyi belirlenen seviyenin üzerinde artış gösterebilir.

İş yerinde düzenli olarak elektrikli alet kullanan çalışanları korumak amacıyla 2002/44/EC tarafından getirilen elektrik güvenliği önlemlerini belirlemek üzere titreşime maruz kalmayı değerlendirirken, çalışma döngüsü içerisinde örneğin aletin kapalı olduğu ve aktif durumda olmasının yanı sıra boşta çalıştığı zamanlar gibi, bütün zaman dilimleri dahil olmak üzere mevcut kullanım durumu ve aletin kullanım şekli göz önünde bulundurularak değerlendirilmelidir.

Alet üzerindeki etiketler

Aşağıdaki semboller, tarih kodu ile birlikte cihazın üzerinde yer almaktadır:



Uyarı! Yaralanma riskini en aza indirmek için kullanıcı kullanım talimatlarını mutlaka okumalıdır.

Elektrik güvenliği



Bu alet çift yalıtımlıdır bu yüzden hiçbir topraklama kablosuna gerek yoktur. Her zaman güç kaynağının, aletin üretim etiketinde voltajla aynı olup olmadığını kontrol edin.

- ◆ Elektrik kablosu hasarlı ise, bir tehlike oluşmasını önlemek için üretici ya da yetkili Stanley Fat Max Servis Merkezi tarafından değiştirilmelidir.

Özellikler

Bu alet, aşağıdaki özelliklerin bir kısmını veya tümünü içermektedir.

1. Açma/kapama svici
2. Kilit açma düğmesi
3. Ana tutamak
4. İkincil tutamak
5. Mil kilidi düğmesi
6. Taban
7. Testere Bıçağı
8. Testere bıçak siperi
9. Koruma tutamağı
10. Testere tozu çıkışı

Montaj

Uyarı! Aşağıdaki işlemlerden herhangi birini yapmadan önce, aletin kapalı, fişten çıkartılmış ve testere bıçağının durmuş olduğundan emin olun.

Kıl testeresinin çıkarılması ve takılması (şek. A)

Çıkartma

- ◆ Mil kilidi düğmesini (5) basılı tutun ve mil kilidi devreye girene kadar bıçağı döndürün.
- ◆ Verilen vida anahtarını (12) kullanarak saat yönünün tersine çevirerek bıçak tespit vidasını (11) gevşetin ve çıkartın.
- ◆ Dış rondelayı (13) çıkartın.
- ◆ Testere bıçağını (7) çıkarın.

Takma

- ◆ Testere bıçağını iç flanşa (14) yerleştirin, bıçak üzerindeki okun alet üzerindeki ok ile aynı yönde olmasına dikkat edin.
- ◆ Dış rondelayı (13) mil üzerinde, yükseltilmiş parça testere bıçağından uzağa bakacak şekilde takın.
- ◆ Bıçak tespit vidasını (11) deliğe yerleştirin.
- ◆ Mil kilidi düğmesini (5) basılı tutun.
- ◆ Bıçak tespit vidasını, verilen anahtarla (12) saat yönünde döndürerek sıkın.

Paralel çit takma ve çıkarma (Şekil B)

- ◆ Paralel çit, iş parçasının kenarına paralel düz bir çizgide testere için kullanılır.

Takma

- ◆ Kilitleme kolunu (16) gevşetin.
- ◆ Paralel çiti (17) deliklerden (18) geçirin.
- ◆ Paralel çiti istenen konuma kaydırın.
- ◆ Kilit düğmesini sıkın.

Çıkartma

- ◆ Kilitleme düğmesini gevşetin.
- ◆ Paralel çiti eletten uzağa çekin.

Kullanım

Uyarı! Alet kendi hızında çalışmasına izin verin. Aşırı yüklenmeyin.

Bu alet sağ ve sol elle kullanılabilir.

Kesme açısının ayarlanması (şekil C)

- ◆ Testere bıçağı ve ayakkabı arasındaki açının 90° olduğunu kontrol etmek için bir kare kullanın.
Açı 90° ölçemezse aşağıdaki gibi ayarlayın:
- ◆ Testere pabucunu açmak için kilitleme düğmesini (19) gevşetin.
- ◆ Ayar vidasındaki (21) kilit somununu (20) gevşetin.
- ◆ 90° açısını elde etmek için ayar vidasını içeri veya dışarı vidalayın.
- ◆ Kilit somununu tekrar sıkın.
- ◆ Testere tabanını yerine kilitlemek için kilitleme topuzunu sıkın.

Kesme derinliğinin ayarlanması (şekil D)

Kesim derinliği, iş parçasının kalınlığına göre ayarlanmalıdır. Kalınlığı yaklaşık 2 mm aşmalıdır.

- ◆ Testere pabucunu açmak için düğmeyi (20) gevşetin.
- ◆ Testere tabanını (6) istenen pozisyona getirin. İlgili kesme derinliği skaladan (21) okunabilir.
- ◆ Testere tabanını yerine kilitlemek için kilitleme topuzunu sıkın.

Eğim açısının ayarlanması (şekil E)

Bu alet 0° ve 45° arasında eğim açılarına ayarlanabilir.

- ◆ Testere pabucunu açmak için kilitleme düğmesini (19) gevşetin.
- ◆ Testere tabanını (6) istenen pozisyona getirin. Karşılık gelen eğim açısı skaladan okunabilir (24).
- ◆ Testere tabanını yerine kilitlemek için kilitleme topuzunu sıkın.

Açma ve kapama

- ◆ Aleti açmak için, kilitleme düğmesini (2) kilit açma konumuna getirin ve açma/kapama anahtarını (1) sıkın.
- ◆ Aleti kapatmak için, açma/kapama düğmesini serbest bırakın.

Kesme

Aleti daima iki elinizle tutun.

- ◆ Kesmeye başlamadan önce bıçağın bir kaç saniye serbest çalışmasına izin verin.
- ◆ Kesme sırasında alete yalnızca hafif bir baskı uygulayın.
- ◆ İş parçasına karşı preslenmiş ayakkabı ile çalışın.

Not: Bıçak uçlarının aşırı ısınmasına izin vermeye dikkat edin.

Görüş kılavuzunu kullanma (Şekil F)

Alet, düz kesim için bir görüş kılavuzu ile donatılmıştır (25).

- ◆ Görme kılavuzunu aşağıda açıklandığı gibi ayarlayın.
- ◆ Kılavuzların (25) sol kenarını kesme çizgisi (26) ile hizalayın.

Toz Emme

Alete bir elektrikli süpürge veya toz çıkarıcı bağlamak için bir adaptör gereklidir.

- ◆ Toz emme adaptörünü testere toz çıkışına (10) takın.
- ◆ Elektrikli süpürge hortumunu adaptöre bağlayın.

Yararlı tavsiyeler

- ◆ Her zaman çalışacağınız iş malzemesi veya kesim türüne uygun bıçaklar kullanın.
- ◆ Aleti daima iki elinizle tutun.
- ◆ Kesmeye başlamadan önce bıçağın bir kaç saniye serbest çalışmasına izin verin.
- ◆ Kesme sırasında alete yalnızca hafif bir baskı uygulayın.
- ◆ İş parçasına karşı preslenmiş ayakkabı ile çalışın.
- ◆ İş parçasının üst tarafındaki kesim çizgisi boyunca bazı parçalanmalardan kaçınılamayacağından, parçalanmanın kabul edilebilir olduğu tarafta kesilir.
- ◆ Ör. laminatları keserken olduğu gibi kıvrımın en aza indirildiği yerlerde, bir parça kontrolü iş parçasının üstüne sıkıştırın.
- ◆ Bıçağın sıkışması ve geri tepmesi riskini en aza indirmek için büyük parçaları destekleyin. Büyük parçalar kendi ağırlıklarından dolayı bel vermeye meyillidirler.
- ◆ Destekler, her iki taraftaki panelin altına, kesim hattının yakınında ve kesilen panelin kenarına yakın yerleştirilmelidir.
- ◆ Kesilecek parçayı asla elinizle veya bacaklarınızın üzerinde tutmayın.
- ◆ İş parçasını kelepçeleri kullanarak sabit bir platformda sabitleyin. Bıçak sarmasını, maruz kalan vücut kısmını, kontrol kaybını ya da yaralanmayı en aza indirmek için işi uygun şekilde desteklemek önemlidir.

Bakım

Stanley FatMax kablolu/kablosuz cihazınız/aletiniz en az bakımla uzun bir süre çalışacak şekilde tasarlanmıştır. Aletin uzun süre boyunca verimli bir şekilde çalışması, uygun bakımın ve düzenli temizliğin yapılmasına bağlıdır.

Uyarı! Kablolu/kablosuz elektrikli aletlerin bakımını gerçekleştirmeden önce:

- ◆ Aleti kapatıp fişini çekin.
- ◆ Aynı bir akü paketi varsa, aleti kapatıp aküsünü çıkartın.
- ◆ Bütünleştirilmiş türse, aküyü tamamen boşaltıp aleti kapatın.
- ◆ Şarj cihazını temizlemeden önce fişten çekin. Şarj cihazınız, düzenli temizlik dışında herhangi bir bakım gerektirmemektedir.
- ◆ Aletinizin şarj cihazındaki havalandırma deliklerini yumuşak bir fırça veya kuru bir bezle düzenli olarak temizleyin.
- ◆ Motor muhafazasını nemli bir bezle düzenli olarak temizleyin.
- ◆ Aşındırıcı veya çözücü madde içeren temizleyiciler kullanmayın.
- ◆ Düzenli aralıklarla mandreni açın ve hafifçe vurarak iç kısmındaki tozların dökülmesini sağlayın (takıldığında).

Elektrik fişinin değiştirilmesi (Sadece İngiltere ve İrlanda)

Yeni bir şebeke fişinin takılması gerekiyorsa:

- ◆ Eski fişi güvenli bir şekilde elden çıkartın.
- ◆ Kahverengi kabloyu yeni fişteki akım taşıyan terminale bağlayın.
- ◆ Mavi kabloyu nötr terminale bağlayın.

Uyarı! Toprak terminaline bağlantı yapılmamalıdır.

İyi kalitede fişlerle birlikte verilen bağlantı talimatlarını takip edin.

Önerilen sigorta: 13 A.

Çevrenin korunması

Ayrı toplama. Bu sembole işaretlenen ürünler ve bataryalar normal evsel atıklarla birlikte atılmamalıdır.

Ürünler ve bataryalar, ham madde ihtiyacını azaltabilecek geri kazanılabilir veya geri dönüştürülebilir materyaller içerir. Lütfen elektrikli aletleri ve bataryaları yerel hükümler doğrultusunda geri dönüşüme tabi tutun. www.2helpU.com adresinde daha fazla bilgi bulunabilir.

Teknik veriler

KFFMES301 (Tip 1)		
Giriş voltajı	V_{Ac}	230
Güç girişi	W	1650
Yüksüz devir	Dak ⁻¹	5500
Maks. kesme derinliği	mm	66
Bıçak çapı	mm	190
Bıçak deliği	mm	16
Bıçak tip genişliği	mm	1,8
Ağırlık	kg	3,9 (bıçakla 4,31)

EN 60745'e göre ses basıncı düzeyi:

Ses basıncı (L_{WA}) 89,0 dB(A), belirsizlik (K) 3 dB(A)Ses gücü (L_{WA}) 100 dB(A), belirsizlik (K) 3 dB(A)

EN 60745'e uygun olarak titreşim toplam değerleri (triaks vektör toplamı):

Titreşim emisyon değeri ($a_{h,w}$) 2.6 m/s², belirsizlik (K) 1.5 m/s² (ahşap kesme)AT uygunluk beyanı
MAKİNE YONETMELİĞİ

KFFMES301 - Dairesel testere

Stanley Europe, "teknik veriler" altında tanımlanan bu ürünlerin aşağıdakilere uygun olduğunu beyan eder:
EN60745-1:2009+A11:2010, EN60745-2-5:2010

Bu ürünler aynı zamanda Yönetmelik 2006/42/EC, 2014/30/EU ve 2011/65/EU.
Daha fazla bilgi için, lütfen aşağıdaki adresten Stanley Fat Max ile irtibata geçin veya kılavuzun arkasına bakın.
Bu belge altında imzası bulunan yetkili, teknik dosyanın derlenmesinden sorumludur ve bu beyanı Stanley Fat Max adına vermiştir.

R. Laverick

Mühendislik Müdürü

Stanley Fat Max Europe, 210 Bath Road, Slough,

Berkshire, SL1 3YD

Birleşik Krallık

7.02.2018

Garanti

Stanley Europe ürün kalitesine güvenir ve tüketicilerine, satın alma tarihinden itibaren geçerli 12 aylık bir garanti sunar. Bu garanti yasal haklarınıza bir ek olup bunları hiçbir şekilde etkilemez. Garanti, Avrupa Birliği Üyesi Ülkeler ve Avrupa Serbest Ticaret Bölgesi alanlarında geçerlidir.

Garanti hakkını kazanmak için, talebin Stanley Europe Hüküm ve Koşulları ile uyumlu olması ve satın alma belgenizi satıcıya veya yetkili onarım temsilcisine göndermeniz gerekir.

Stanley Europe, 1 yıllık garanti hüküm ve koşulları ve size en yakın yetkili onarım temsilcisi merkezi, İnternet'ten, www.2helpU.com adresinden veya bu kılavuzda belirtilen adresteki yerel Stanley Fat Max ofisi ile temas kurularak edinilebilir.

Yeni Stanley Fat Max ürününüzü kaydettirmek, yeni ürünler ve özel teklifler hakkında sürekli güncel bilgi almak üzere www.stanley.eu/3 adresindeki İnternet sitemizi ziyaret edin.

Назначение

Циркулярная пила Stanley Fat Max KFFMES301 предназначена для пиления древесины и изделий из древесины. Этот инструмент предназначен как для профессионалов, так и для использования непрофессионалами.

Правила техники безопасности

Общие правила безопасности при работе с электрифицированным инструментом



Осторожно! Полностью прочтите инструкции по технике безопасности и все руководства по эксплуатации. Несоблюдение представленных ниже предупреждений и инструкций может привести к поражению электрическим током, возгоранию и/или тяжелым травмам.

Сохраните все инструкции для последующего обращения к ним. Термин «электроинструмент» во всех приведенных ниже предупреждениях относится к питаемому от электросети (проводному) или от аккумуляторных батарей (беспроводному) электроинструменту.

1. Безопасность на рабочем месте

- a. **Содержите рабочее место в чистоте и обеспечьте его хорошую освещенность.** Захламленное или плохо освещенное рабочее место может стать причиной несчастного случая.
- b. **Не используйте электрифицированный инструмент во взрывоопасной атмосфере, например, при наличии горючих жидкостей, газов или пыли.** Искры, которые появляются при работе электрифицированного инструмента, могут привести к воспламенению пыли или паров.
- c. **Не разрешайте детям и посторонним лицам находиться рядом с вами при работе с электрифицированным инструментом.** Отвлекаясь от работы, вы можете потерять контроль над инструментом.

2. Электробезопасность

- a. **Сетевые вилки электрифицированного инструмента должны соответствовать розеткам. Никогда не меняйте вилку инструмента. Не используйте переходники к вилкам для электроинструментов с заземлением.** Использование оригинальных штепсельных вилок, соответствующих типу сетевой розетки, снижает риск поражения электрическим током.

- b. **Следует избегать контакта с заземленными поверхностями, такими как трубы, радиаторы, батареи и холодильники.** Если вы будете заземлены, увеличивается риск поражения электрическим током.
 - c. **Не допускайте нахождения электрифицированных инструментов под дождем или в условиях повышенной влажности.** При попадании воды в электрифицированный инструмент риск поражения электротоком возрастает.
 - d. **Бережно обращайтесь с кабелем питания. Никогда не используйте кабель для переноски инструмента, не тяните за него, пытайтесь отключить инструмент от сети. Держите кабель подальше от источников тепла, масла, острых углов или движущихся предметов.** Поврежденный или запутанный кабель питания повышает риск поражения электротоком.
 - e. **При работе с электрифицированным инструментом вне помещения необходимо пользоваться удлинителем, рассчитанным на эксплуатацию в соответствующих условиях.** Использование кабеля питания, предназначенного для использования вне помещения, снижает риск поражения электрическим током.
 - f. **При необходимости эксплуатации электрифицированного инструмента в местах с повышенной влажностью используйте устройство защиты от токов замыкания на землю (УЗО).** Использование УЗО сокращает риск поражения электрическим током.
- ### 3. Обеспечение индивидуальной безопасности
- a. **При работе с электрифицированным инструментом сохраняйте бдительность, следите за своими действиями и пользуйтесь здравым смыслом. Не работайте с электроинструментом, если вы устали, находитесь в состоянии наркотического, алкогольного опьянения или под воздействием лекарственных препаратов.** Невнимательность при работе с электроинструментом может привести к серьезным телесным повреждениям.
 - b. **Используйте средства индивидуальной защиты. Всегда используйте защитные очки.** Средства защиты, такие как противопылевая маска, обувь с нескользящей подошвой, каска и защитные наушники, используемые при работе, уменьшают риск получения травм.
 - c. **Примите меры для предотвращения случайного включения. Перед тем как подключить электроинструмент к сети и/или аккумуляторной батарее, взять инструмент или перенести его на**

- другое место, убедитесь в том, что выключатель находится в положении Выкл. Если при переноске электроинструмента он подключен к сети, и при этом ваш палец находится на выключателе, это может стать причиной несчастных случаев.
- d. **Уберите все регулировочные или гаечные ключи перед включением электрифицированного инструмента.** Ключ, оставленный на вращающейся части электрифицированного инструмента, может привести к травме.
- e. **Не пытайтесь дотянуться до слишком удаленных поверхностей. Обувь должна быть удобной, чтобы вы всегда могли сохранять равновесие.** Это позволит лучше контролировать электрифицированный инструмент в непредвиденных ситуациях.
- f. **Надевайте подходящую одежду. Избегайте носить свободную одежду и ювелирные украшения. Следите за тем, чтобы волосы, одежда и перчатки не попадали под движущиеся детали.** Возможно наматывание свободной одежды, ювелирных изделий и длинных волос на движущиеся детали.
- g. **При наличии устройств для подключения оборудования для удаления и сбора пыли необходимо обеспечить правильность их подключения и эксплуатации.** Использование устройства для пылеудаления сокращает риски, связанные с пылью.
4. **Эксплуатация электрифицированного инструмента и уход за ним**
- a. **Избегайте чрезмерной нагрузки электрифицированного инструмента. Используйте электроинструмент в соответствии с назначением.** Правильно подобранный электроинструмент выполнит работу более эффективно и безопасно при стандартной нагрузке.
- b. **Не используйте электрифицированный инструмент, если не работает его выключатель.** Любой электроинструмент, управляемый выключением и включением которого невозможно, опасен, и его необходимо отремонтировать.
- c. **Перед выполнением любой регулировки, заменой дополнительных приспособлений или хранением электрифицированного инструмента отключите устройство от сети или извлеките батарею из устройства.** Такие превентивные меры безопасности сокращают риск случайного включения электрифицированного инструмента.
- d. **Храните электрифицированный инструмент в недоступном для детей месте и не позволяйте работать с инструментом людям, не имеющим соответствующих навыков работы с такого рода инструментами.** Электрифицированный инструмент представляет опасность в руках неопытных пользователей.
- e. **Обслуживание электрифицированных инструментов.** Проверьте движущиеся детали на несоосность или заклинивание, поломку либо какие-либо другие условия, которые могут повлиять на эксплуатацию электрифицированного инструмента. В случае обнаружения повреждений, прежде чем приступить к эксплуатации электрифицированного инструмента, его нужно отремонтировать. Большинство несчастных случаев происходит из-за электрифицированных инструментов, которые не обслуживаются должным образом.
- f. **Необходимо содержать режущий инструмент в остро заточенном и чистом состоянии.** Вероятность заклинивания инструмента, за которым следят должным образом и который хорошо заточен, значительно меньше, а работать с ним легче.
- g. **Используйте данный электрифицированный инструмент, а также дополнительные приспособления и насадки в соответствии с данными инструкциями и с учетом условий и специфики работы.** Использование электрифицированного инструмента для выполнения операций, для которых он не предназначен, может привести к созданию опасных ситуаций.
5. **Техническое обслуживание**
- a. **Обслуживание электрифицированного инструмента должно выполняться только квалифицированным техническим персоналом.** Это позволит обеспечить безопасность обслуживаемого электрифицированного инструмента.

Дополнительные правила безопасности при работе с электрифицированным инструментом



Осторожно! Инструкции по технике безопасности для всех типов пил.

Порядок распиливания

- a. **Держите руки на расстоянии от области распила и диска. Держите вторую руку на дополнительной рукоятке или на корпусе двигателя.** Если пила удерживается обеими руками, вероятность их пореза диском исключается.
- b. **Не держите руки под обрабатываемой деталью.** Ограждение не защищает руки от касания диска под обрабатываемой деталью.

c. Отрегулируйте глубину пиления в соответствии с толщиной обрабатываемой детали. Под заготовки должно быть видно менее полной высоты зубца полотна.

d. Никогда не удерживайте разрезаемую деталь в руках или прижав ее к ноге. Зафиксируйте обрабатываемую деталь на неподвижной опоре. Необходимо надлежащим образом закрепить обрабатываемую деталь для снижения риска получения травмы, заклинивания диска или потери контроля.

e. Удерживайте электроинструмент за изолированные поверхности при выполнении работ, во время которых имеется вероятность контакта инструмента со скрытой электропроводкой. Контакт с проводом под напряжением приводит к подаче напряжения на соприкасающиеся с ним металлические детали электроинструмента и к поражению оператора электрическим током.

f. Во время продольной распиловки обязательно используйте направляющую планку или направитель детали. Это повышает точность распила и снижает вероятность заклинивания диска.

g. Всегда используйте диски с посадочными отверстиями соответствующего размера и формы (ромбовидные или круглые). Диски, которые не соответствуют крепежным приспособлениям пилы, будут вращаться несимметрично относительно центра, что может привести к потере управления.

h. Ни в коем случае не используйте поврежденные или несоответствующие зажимные кольца или болты для дисков.

Зажимные кольца и болты для дисков были разработаны специально для данной пилы с целью обеспечения оптимальной производительности и безопасности во время работы.

Дальнейшие инструкции для всех пил

Причины отдачи и связанные риски:

- ◆ отдача представляет собой внезапную реакцию на защемление, застревание или смещение пильного полотна, что приводит к неконтролируемому подъему пилы из заготовки в направлении оператора;
- ◆ если полотно зажимается или застревает в пропиле, оно останавливается, а реакция электродвигателя приводит к тому, что устройство быстро смещается в направлении оператора;
- ◆ если полотно перекашивается или смещается в пропиле, зубья на его задней кромке могут

войти в верхнюю часть деревянной детали, что приведет к выходу полотна из пропила и его скачку в направлении оператора.

Отдача является результатом неправильного использования пилы и/или использования неправильных методов или режима; избежать этого явления можно путем выполнения указанных далее мер предосторожности.

- a. Прочно удерживайте пилу обеими руками таким образом, чтобы иметь возможность погасить энергию отдачи.** Ваше тело должно находиться с боку от ножовочного полотна, а не на одной прямой с ним. Отдача может привести к скачку пилы назад, но оператор может гасить его энергию, при условии соблюдения надлежащих мер.
- b. В случае заклинивания полотна или в случае прекращения распиловки по любой причине, отпустите пусковой выключатель и удерживайте пилу неподвижно в заготовке до полной остановки полотна. Никогда не пытайтесь вытащить пилу из обрабатываемой детали или потянуть пилу назад во время вращения полотна, это может привести к отдаче.** Выясните причину и примите надлежащие меры по устранению причины заклинивания диска.
- c. При перезапуске пилы в детали отцентрируйте режущий диск в пропиле и убедитесь в том, что зубья пилы не касаются материала.** Если полотно заклинило, оно может подскочить вверх или ударить назад при повторном запуске пилы.
- d. Поддерживайте большие панели для снижения риска защемления или заклинивания диска.** Большие панели провисают под собственным весом. Опору нужно поставить под обе стороны панели, около линии разреза и около края панели.
- e. Не используйте тупые или поврежденные диски.** Тупые или неправильно разведенные полотна образуют узкий пропил, что приводит к повышенному трению, заклиниванию полотна и образованию отдачи.
- f. Рычаги настройки глубины пропила и угла резки на конус перед началом работы должны быть затянуты и зафиксированы.** В случае сбоя регулировки полотна во время работы может произойти заклинивание и отдача.
- a. Соблюдайте повышенную осторожность при выполнении врезного пиления стен или в других слепых зонах.** Выступающее полотно может встретиться с предметами, которые могут привести к образованию отдачи.

Нижнее ограждение

- a. **Перед каждым использованием проверяйте, правильно ли закрыто нижнее ограждение. Не используйте пилу, если нижнее ограждение не перемещается свободно и не закрывает полотно постоянно. Никогда не зажимайте и не связывайте нижнее ограждение полотна в открытом положении.** При падении пилы нижнее ограждение может погнуться. Поднимите нижнее ограждение при помощи втягивающей рукоятки и убедитесь в том, что ограждение перемещается свободно и не соприкасается с полотном или другими деталями при любых углах и глубине распила.
- b. **Проверьте функционирование и состояние возвратной пружины нижнего ограждения. Если ограждение и пружина не работают должным образом, перед использованием пилы необходимо устранить неисправности.** Нижнее ограждение может перемещаться замедленно из-за повреждения деталей, отложения клейких веществ или скопления мусора.
- c. **Нижнее ограждение может быть втянуто вручную только при выполнении специальных разрезов, например, для врезных и комбинированных распилов.** Поднимите нижнее ограждение при помощи втягивающей рукоятки, а когда полотно соприкоснется с материалом, опустите нижнее ограждение. Для всех других типов распила нижнее ограждение должно работать в автоматическом режиме.
- d. **Всегда следите за тем, чтобы нижнее ограждение закрывало полотно, прежде чем класть пилу на верстак или на пол.** Незащищенный круг во время выбега приведет к смещению пилы назад и пиленю всех находящихся на траектории движения предметов. Помните, что после отключения выключателя требуется некоторое время для полной остановки диска.

Остаточные риски

Помимо тех рисков, что указаны в правилах техники безопасности, при использовании устройства могут возникнуть дополнительные остаточные риски. Это может произойти при неправильной эксплуатации или продолжительном использовании устройства и т. п. Несмотря на соблюдение соответствующих инструкций по технике безопасности и использование предохранительных устройств, некоторые остаточные риски невозможно полностью исключить. К ним относятся:

- ◆ Травмы в результате касания вращающихся/движущихся частей.
- ◆ Травмы, которые могут произойти в результате смены деталей, лезвий или аксессуаров.

- ◆ Травмы, связанные с продолжительным использованием инструмента. При использовании любого инструмента в течение продолжительного периода времени не забывайте делать перерывы.
- ◆ Ухудшение слуха.
- ◆ Угроза здоровью, связанная с вдыханием пыли, которая образуется при использовании этого инструмента (например, при работе с деревом, особенно дубом, березой и МДФ).

Пильные полотна

- ◆ Не используйте диски меньшего или большего диаметра по сравнению с рекомендованными. См. размеры дисков в технических характеристиках. Используйте только те диски, что указаны в данном руководстве, соответствующие стандарту EN 847-1.
- ◆ **Осторожно!** Использование абразивных кругов запрещено.

Безопасность окружающих

- ◆ Данное устройство не предназначено для использования лицами (включая детей) с ограниченными физическими, сенсорными или ментальными возможностями, а также лицами без достаточного опыта и знаний, если только они не делают этого под руководством лица имеющего соответствующий опыт и отвечающего за их безопасность.
- ◆ Не позволяйте детям играть с данным устройством.

Вибрация

Заявленные значения вибрации указанные в технических спецификациях и заявлениях о соответствии были измерены в соответствии с стандартным методом тестирования EN 60745 и могут быть использованы для сравнения инструментов. Заявленное значение эмиссии вибрации также может использоваться при предварительной оценке ее воздействия.

Осторожно! Значение эмиссии вибрации в каждом конкретном случае применения электроинструмента может отличаться от заявленного в зависимости от того, каким образом используется инструмент. Уровень вибрации может быть выше заявленного.

При оценке уровня вибрации для определения степени безопасности, предусмотренного 2002/44/ЕС для защиты людей, регулярно пользующихся электроинструментом при работе, нужно принимать во внимание уровень вибрации, реальные условия использования и способ использования инструмента, а также учитывать все этапы цикла работы (когда инструмент выключается, когда он работает на холостом ходу, а также время переключения с одного режима на другой).

Условные обозначения на инструменте

На инструмент нанесены следующие обозначения вместе с кодом даты:



Осторожно! Во избежание риска получения травм, прочитайте инструкцию по применению.

Электробезопасность



Ваше зарядное устройство имеет двойную изоляцию, поэтому заземления не требуется. Необходимо обязательно убедиться, что напряжение источника питания соответствует указанному на паспортной табличке устройства.

- ◆ Если поврежден сетевой кабель, его нужно заменить у производителя или в авторизованном сервисном центре Stanley Fat Max, чтобы избежать проблем.

Характеристики

Этот инструмент включает в себя следующие особенности или некоторые из них.

1. Выключатель
2. Кнопка блокировки
3. Основная ручка
4. Дополнительная рукоятка
5. Кнопка блокировки шпинделя
6. Подошва
7. Ножовочное полотно
8. Ограждение пильного полотна
9. Ручка ограждения
10. Отверстие для удаления древесных опилок

Сборка

Осторожно! Перед выполнением любой из следующих операций убедитесь, что электроинструмент выключен и отсоединен от электросети, и что ножовочное полотно остановилось.

Снятие и установка (рис. А)

Снятие

- ◆ Нажмите на кнопку блокировки шпинделя (5) и поворачивайте полотно, пока шпиндель не заблокируется.
- ◆ Ослабьте и выверните винт крепления полотна (11), поворачивая его против часовой стрелки с помощью укомплектованного ключа (12).
- ◆ Снимите внешнюю шайбу (13).
- ◆ Снимите пильное полотно (7).

Установка

- ◆ Установите пильное полотно на внутренний фланец (14) и убедитесь, что стрелка на полотне направлена в том же направлении, что и стрелка на инструменте.
- ◆ Установите внешнюю шайбу (13) на шпиндель таким образом, чтобы поднятая часть была направлена от пильного полотна.
- ◆ Вставьте винт крепления полотна (11) в отверстие.
- ◆ Продолжайте удерживать кнопку блокировки шпинделя (5).
- ◆ Надежно затяните винт крепления полотна, поворачивая его по часовой стрелке с помощью укомплектованного ключа (12).

Установка и снятия параллельной направляющей линейки (рис. В)

- ◆ Параллельная направляющая линейка используется для резки параллельно кромке заготовки.

Установка

- ◆ Ослабьте ручку блокировки (16).
- ◆ Вставьте параллельную направляющую (17) в отверстия (18).
- ◆ Установите параллельную направляющую в нужное положение.
- ◆ Затяните ручку блокировки.

Снятие

- ◆ Ослабьте ручку блокировки.
- ◆ Снимите параллельную направляющую с инструмента.

Использование

Осторожно! Инструмент должен работать в обычном режиме. Избегайте перегрузок.

С данным инструментом можно работать как правой, так и левой рукой.

Регулировка угла пиления (рис. С)

- ◆ Воспользуйтесь угольником и убедитесь, что угол между пильным полотном и подошвой составляет 90°.
- ◆ Если угол не равен 90°, отрегулируйте его следующим образом:
- ◆ Ослабьте ручку блокировки (19), чтобы разблокировать подошву.
- ◆ Ослабьте контргайку (20) на регулировочном винте (21).
- ◆ Для установки угла 90° поворачивайте регулировочный винт в одном или другом направлении.
- ◆ Затяните контргайку.
- ◆ Затяните ручку блокировки, чтобы зафиксировать подошву.

Регулировка глубины распила (рис. D)

Глубина распила устанавливается в зависимости от толщины заготовки. Она должна превышать толщину приблизительно на 2 мм.

- ◆ Ослабьте ручку (20), чтобы разблокировать подошву.
- ◆ Переместите подошву (6) в нужное положение. Глубина распила отображается на шкале (21).
- ◆ Затяните ручку, чтобы зафиксировать подошву.

Регулировка угла распила (рис. E)

С помощью данного инструмента выполнять пиление под углом 0° и 45°.

- ◆ Ослабьте ручку блокировки (19), чтобы разблокировать подошву.
- ◆ Переместите подошву (6) в нужное положение. Соответствующий угол пиления отображается на шкале (24).
- ◆ Затяните ручку блокировки, чтобы зафиксировать подошву.

Включение и выключение

- ◆ Для включения инструмента переместите кнопку блокировки (2) в положение разблокирования и нажмите на выключатель (1).
- ◆ Чтобы выключить инструмент, отпустите выключатель.

Распил

Всегда держите инструмент двумя руками.

- ◆ Прежде чем приступить к резке, дайте пиле поработать несколько секунд без нагрузки.
- ◆ Не применяйте чрезмерное давление к инструменту во время выполнения резки.
- ◆ По возможности, прижимайте подошву к заготовке.

Примечание. Не позволяйте кончикам полотна перегреваться.

Использование визуальной направляющей (рис. F)

Инструмент оснащен визуальной направляющей для выполнения прямолинейного пиления (25).

- ◆ Отрегулируйте визуальную направляющую согласно приведенным ниже инструкциям.
- ◆ Совместите левую кромку направляющей (25) с линией пиления (26).

Пылеуловитель

Для подсоединения пылесоса к инструменту необходимо наличие переходника.

- ◆ Вставьте переходник на отверстие для удаления древесных опилок (10).
- ◆ Подсоедините трубу пылесоса к переходнику.

Советы по оптимальному использованию

- ◆ Всегда используйте пилы соответствующего типа для разных рабочих деталей и типа распила.
- ◆ Всегда держите инструмент двумя руками.
- ◆ Прежде чем приступить к резке, дайте пиле поработать несколько секунд без нагрузки.
- ◆ Не применяйте чрезмерное давление к инструменту во время выполнения резки.
- ◆ По возможности, прижимайте подошву к заготовке.
- ◆ Поскольку полностью избежать расщепления вдоль линии пиления невозможно, выполняйте пиление с той стороны, где это допустимо.
- ◆ В местах, где расщепление необходимо свести к минимуму, например, при пилении ламинированных материалов, прижмите лист фанеры к верхней поверхности заготовки.
- ◆ Поддерживайте большие панели для снижения риска защемления или заклинивания диска. Большие панели провисают под собственным весом.
- ◆ Опору нужно поставить под обе стороны панели, около линии разреза и около края разрезаемой панели.
- ◆ Никогда не удерживайте разрезаемую деталь в руках или прижав ее к ноге.
- ◆ Зафиксируйте обрабатываемую деталь на неподвижной опоре с помощью зажимов. Необходимо надлежащим образом закрепить обрабатываемую деталь для снижения риска получения травмы, заклинивания диска или потери контроля.

Техническое обслуживание

Электроинструмент Stanley FatMax имеет длительный срок эксплуатации и требует минимальных затрат на техобслуживание. Для длительной безотказной работы необходимо обеспечить правильный уход за инструментом и его регулярную очистку.

Осторожно! Перед выполнением любых работ по обслуживанию проводных/беспроводных инструментов:

- ◆ Выключите и отключите от сети инструмент.
- ◆ Или выключите инструмент и вытащите аккумуляторную батарею, если для него есть отдельная аккумуляторная батарея.
- ◆ Или полностью выработайте заряд аккумуляторной батареи, если она встроена и затем выключите инструмент.
- ◆ Перед очисткой инструмента отсоедините его от зарядного устройства. Зарядное устройство не требует никакого обслуживания кроме регулярной очистки.
- ◆ Регулярно очищайте вентиляционные отверстия зарядного устройства с помощью мягкой щетки или сухой тканевой салфетки.

- ◆ Регулярно очищайте корпус двигателя с помощью влажной салфетки.
Не используйте абразивные чистящие средства или средства на основе растворителей.
- ◆ Регулярно открывайте патрон и сверху очищайте ее от грязи (после установки).

Замена штепсельной вилки (только для Великобритании и Ирландии)

Если нужно установить штепсельную вилку.

- ◆ Осторожно снимите старую вилку.
- ◆ Подсоедините коричневый провод к терминалу фазы в новой вилке.
- ◆ Подсоедините синий провод к нулевому терминалу.

Осторожно! Заземления не требуется.

Соблюдайте инструкции по установке вилки высокого качества.

Рекомендованный предохранитель: 13 А.

Защита окружающей среды



Отдельная утилизация. Изделия и аккумуляторные батареи с данным символом на маркировке запрещается утилизировать с обычными бытовыми отходами.

Изделия и аккумуляторные батареи содержат материалы, которые могут быть извлечены или переработаны, снижая потребность в исходном сырье.

Пожалуйста, утилизируйте электрические изделия и аккумуляторные батареи в соответствии с местными нормами. Дополнительная информация доступна по адресу www.2helpU.com

Технические характеристики

KFFMES301 (тип 1)		
Входное напряжение	В _{перем. тока}	230
Потребляемая мощность	Вт	1650
Скорость холостого хода	Мин ⁻¹	5500
Макс. глубина распила	мм	66
Диаметр диска	мм	190
Диаметр посадочного отверстия	мм	16
Ширина наконечника полотна	мм	1,8
Вес	кг	3,9 (4,31 с установленным полотном)

Уровень звукового давления согласно EN 60745:
Акустическое давление (L _{ра}) 89,0 дБ(А), погрешность (К) 3 дБ(А)
Акустическая энергия (L _{WA}) 100 дБ(А), погрешность (К) 3 дБ(А)
Общие значения вибрации (сумма триаксиального вектора), определенные в соответствии со стандартом EN 60745:
Уровень вибрации (a _{hв}) 2,6 м/с ² , погрешность (К) 1,5 м/с ² (пиление древесины)

Заявление о соответствии нормам ЕС ДИРЕКТИВА ПО МЕХАНИЧЕСКОМУ ОБОРУДОВАНИЮ



KFFMES301 - Циркулярная пила Stanley Europe заявляет, что продукция, описанная в «технических характеристиках» соответствует: EN60745-1:2009+A11:2010, EN60745-2-5:2010

Эти продукты также соответствуют Директиве 2006/42/ЕС, 2014/30/EU и 2011/65/EU.

За дополнительной информацией обращайтесь в компанию Stanley Fat Max по адресу, указанному ниже или приведенному на задней стороне обложки руководства.

Нижеподписавшийся несет ответственность за составление технической документации и составил данную декларацию по поручению компании Stanley Fat Max.

Р. Лейверик (R. Laverick)
Директор по разработке и производству
Stanley Fat Max Europe, 210 Bath Road, Slough,
Berkshire, SL1 3YD
Соединенное Королевство
07.02.2018

Гарантия

Компания Stanley Europe с уверенностью в качестве своей продукции предлагает клиентам гарантию на 12 месяцев с момента покупки. Данная гарантия является дополнительной и ни в коей мере не направлена на ущемление Ваших юридических прав. Гарантия действует на территории стран-участниц ЕС и в Европейской зоне свободной торговли.

Чтобы подать заявку по гарантии, заявка должна соответствовать положениям и условиям Stanley Europe; кроме того, Вам потребуется предъявить продавцу или авторизованному специалисту по ремонту подтверждение покупки.

Положения и условия 1-летней гарантии Stanley Europe и местонахождение ближайшего авторизованного специалиста по ремонту можно узнать через Интернет по адресу www.2helpU.com, или связавшись с местным представительством Stanley Fat Max по адресу, указанному в данном руководстве.

Посетите наш веб-сайт www.stanley.eu/3, чтобы зарегистрировать свое новое изделие Stanley Fat Max и получать информацию о новинках и специальных предложениях.

GB WARRANTY CARD

BY ГАРАНТЙЙНЫЙ ТАЛОН

RUS ГАРАНТИЙНЫЙ ТАЛОН

KZ КЕПІЛДІК ТАЛОН

UA ГАРАНТІЙНИЙ ТАЛОН

UZ ГАРАНТИЯ ЧИПТАСИ

STANLEY
FATMAX

GB months

RUS месяцев

UA місяців

36*

BY месяцаў

KZ ай

UZ ой

GB Serial No.	Date of sale	Selling stamp, Signature
RUS Серийный номер	Дата продажи	Печать и подпись торговой организации
UA Серійний номер	Дата продажу	Печатка та підпис торгівельної організації
BY Серийны нумар	Дата продажы	Пячатка і подпіс гандлёвай установы
KZ Сериялық нөмір	Сату күні	Сауда ұйымының мөрі мен қолтанбасы
UZ Серия сони	Сотилган куни	Савдо корхонанинг мухр ва имзоси

*Гарантийный срок 36 месяцев действителен после регистрации на сайте <http://www.stanleyrussia.com/mystanley> в течение 4-х недель с момента покупки. При отсутствии регистрации на сайте гарантийный срок составляет 12 месяцев.

АВТОРИЗОВАННЫЕ СЕРВИСНЫЕ ЦЕНТРЫ STANLEY

RUS

Россия, 121471, г. Москва,
ул. Гвардейская, д. 3, корп. 1
тел.: (495) 444 10 70
737 80 41

UA

Украина, 04073, г. Киев,
ул. Сырецкая, 33 ш
тел.: (044) 581 11 25

KZ

Казахстан, 480032, г. Алматы,
ул. Березовского, д. За
тел.: (3272) 44 64 46
93 34 53

BY

Беларусь, 220049, г. Минск,
ул. Волгоградская, д. 13, к. 8
тел.: (017) 280-77-81
280-76-93

GE

Грузия, 0177, г. Тбилиси,
ул. пр-т Казбеги, 26
тел.: (832) 238 52 38

Сервисная сеть STANLEY постоянно расширяется.
Информацию об обслуживании в других городах Вы можете получить по телефону
в Москве: (495) 258 39 81/2/3,
в Киеве: (044) 507 05 17

„Исправный и полностью укомплектованный товар получил(а), с гарантийными условиями ознакомлен(а)/
Справний та повністю укомплектований товар отримав(ла), с гарантійними запов'язаннями ознайомлен(а)/
Спрауны і поўнасьцю укамплектаваны тавар атрымаў(ла), з гарантыйнымі умовамі азнаёмлены(а)/
Тұзу және толық жинақталған тауар қабылдадым, кепілдік шарттарымен таныстым/
Тузатилган ва тулик комплектли махсулотни олдим, гарантия шартлари билан танишиб чиқдим“

Подпись покупателя/ Підпис покупця/ Подпис покупніка/ Сатып алушының қолтанбасы/ Харидорнинг имзоси

Наименование инструмента	
Модель	
Наименование продавца	
Дата продажи	

М.П.
Продавца

Серийный номер		Дата производства
Инструмент		
Зарядное устройство		
Аккумулятор 1		
Аккумулятор 2		

STANLEY
FATMAX

Уважаемый покупатель!

1+2 года*
ГАРАНТИИ
ГАРАНТИЯ 3 ГОДА ПРИ РЕГИСТРАЦИИ НА САЙТЕ

1. Поздравляем Вас с покупкой высококачественного изделия Stanley FATMAX и выражаем признательность за Ваш выбор.
2. При покупке изделия требуйте проверки его комплектности и исправности в Вашем присутствии, инструкцию по эксплуатации и заполненный Гарантийный талон на русском языке. В гарантийном талоне должны быть внесены: модель, дата продажи, серийный номер, дата производства инструмента; название, печать и подпись торговой организации. При отсутствии у Вас правильно заполненного Гарантийного талона, а также несоответствия указанных в нем данных мы будем вынуждены отклонить Ваши претензии по качеству данного изделия.
3. Во избежание недоразумений убедительно просим Вас перед началом работы с изделием внимательно ознакомиться с инструкцией по его эксплуатации. Правовой основой настоящих гарантийных условий является действующее Законодательство. Гарантийный срок на инструмент составляет 12 месяцев и исчисляется со дня продажи. В случае устранения недостатков изделия, гарантийный срок продлевается на период его нахождения в ремонте. Срок службы изделия составляет 5 лет со дня продажи.
4. В случае возникновения каких-либо проблем в процессе эксплуатации изделия рекомендуем Вам обращаться только в уполномоченные сервисные центры Stanley FATMAX, адреса и телефоны которых Вы сможете найти в гарантийном талоне, на сайте www.2helpU.com или узнать в магазине. Наши сервисные станции - это не только квалифицированный ремонт, но и широкий ассортимент запчастей и принадлежностей.
5. Производитель рекомендует проводить периодическую проверку и техническое обслуживание изделия в уполномоченных сервисных центрах.
6. Наши гарантийные обязательства распространяются только на неисправности, выявленные в течение гарантийного срока и вызванные дефектами производства и \ или материалов.
7. Гарантийные условия не распространяются на неисправности изделия, возникшие в результате:
 - 7.1. Несоблюдения пользователем предписаний инструкции по эксплуатации изделия, применения изделия не по назначению, неправильного хранения, использования принадлежностей, расходных материалов и запчастей, не предусмотренных производителем.
 - 7.2. Механического повреждения (сколы, трещины и разрушения) внутренних и внешних деталей изделия, основных и вспомогательных рукояток, сетевого электрического кабеля, вызванного внешним ударным или любым иным воздействием.
 - 7.3. Попадания в вентиляционные отверстия и проникновение внутрь изделия посторонних предметов, материалов или веществ, не являющихся отходами, сопровождающими применение изделия по назначению, такими как: стружка, опилки, песок, и пр.
 - 7.4. Воздействий на изделие неблагоприятных атмосферных и иных внешних факторов, таких как дождь, снег, повышенная влажность, нагрев, агрессивные среды, несоответствие параметров питающей электросети, указанных на инструменте.
 - 7.5. Стихийного бедствия. Повреждение или утрата изделия, связанное с непредвиденными бедствиями, стихийными явлениями, в том числе вследствие действия непреодолимой силы (пожар, молния, потоп и другие природные явления), а также вследствие перепадов напряжения в электросети и другими причинами, которые находятся вне контроля производителя.
8. Гарантийные условия не распространяются:
 - 8.1. На инструменты, подвергавшиеся вскрытию, ремонту или модификации вне уполномоченного сервисного центра.
 - 8.2. На детали и узлы, имеющие следы естественного износа, такие как: приводные ремни и колеса, угольные щетки, смазка, подшипники, зубчатое зацепление редукторов, резиновые уплотнения, сальники, направляющие ролики, муфты сцепления, бойки, толкатели, стволы, и т.п.
 - 8.3. На сменные и расходные части: канги, зажимные гайки и фланцы, фильтры, ножи, шлифовальные подошвы, цепи, звездочки, пильные шины, защитные кожухи, пилки, абразивы, пильные и абразивные диски, фрезы, сверла, буры и т.п.
 - 8.4. На неисправности, возникшие в результате перегрузки инструмента (как механической, так и электрической), повлекшей выход из строя одновременно двух и более деталей и узлов, таких как ротора и статора, обеих обмоток статора, ведомой и ведущей шестерни редуктора или других узлов и деталей. К безусловным признакам перегрузки изделия относятся, помимо прочего: появление цветов побежалости, деформация или оплавление деталей и узлов изделия, потемнение или обугливание изоляции проводов электродвигателя под воздействием высокой температуры.

Товар получен в исправном состоянии, без видимых повреждений, в полной комплектации, проверен в моем присутствии, претензий по качеству товара не имею. С условиями гарантийного обслуживания ознакомлен и согласен.

Ф.И.О. и подпись владельца _____

ОТМЕТКА О ПРОВЕДЕНИИ СЕРВИСНОГО ОБСЛУЖИВАНИЯ

№1	№2	№3	№4
Дата поступления	Дата поступления	Дата поступления	Дата поступления
Дата ремонта	Дата ремонта	Дата ремонта	Дата ремонта
Дата выдачи	Дата выдачи	Дата выдачи	Дата выдачи
Печать и подпись сервисного центра	Печать и подпись сервисного центра	Печать и подпись сервисного центра	Печать и подпись сервисного центра

***Зарегистрируйте Ваш новый электроинструмент STANLEY FatMax, чтобы получить 3 года гарантии:**

- Требуется регистрация продукта в течение 4-х недель со дня покупки
- Для регистрации посетите наш сайт <http://pt.stanleyrussia.com/mystanley>
- Подробную информацию см.на сайте <http://pt.stanleyrussia.com>

Уважаемые клиенты, наша сеть авторизованных сервисных центров постоянно расширяется. Актуальную информацию об обслуживании инструментов, в интересующем вас городе, вы можете узнать на сайте

www.2helpU.com

На сайте www.2helpU.com доступны следующие функции:

Информация по авторизованным сервисным центрам:

- Список авторизованных сервисных центров
- Удобный поиск ближайшего сервисного центра
- Руководство по эксплуатации
- Технические характеристики
- Список деталей и запасных частей
- Схема сборки инструмента



Также данную информацию вы можете получить позвонив по телефонам:

+7(800) 10 00 876 в России
+38(044) 507 05 17 в Украине