

---

**DEWALT**®

---

***XR LI-ION***

---

English ( <b>original instructions</b> )	4
--	---

---

Русский ( <i>перевод с оригинала инструкции</i> )	10
---	----

---

Українська ( <i>переклад з оригінальної інструкції</i> )	19
--	----

---

Fig. A

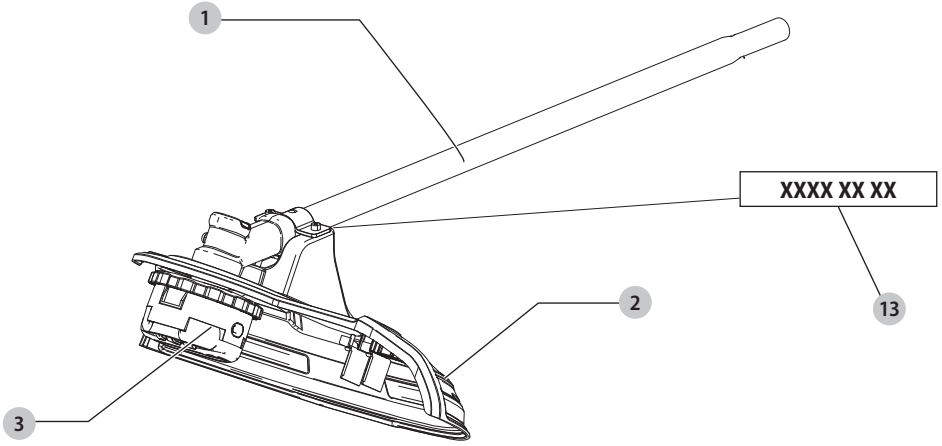


Fig. B

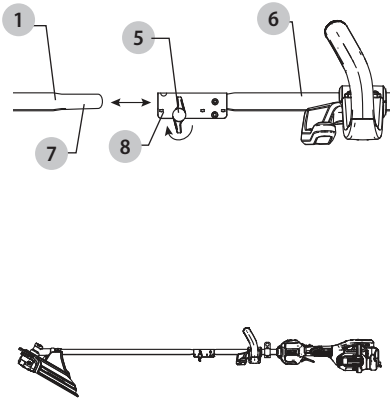


Fig. C

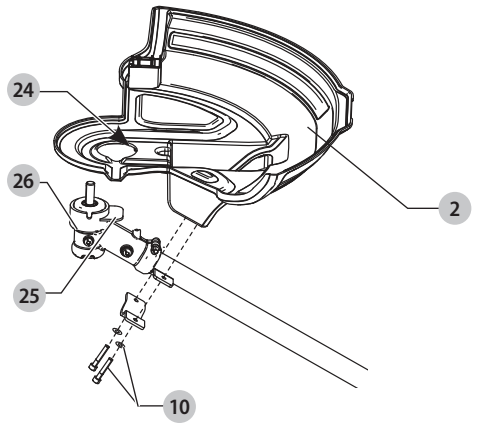


Fig. D

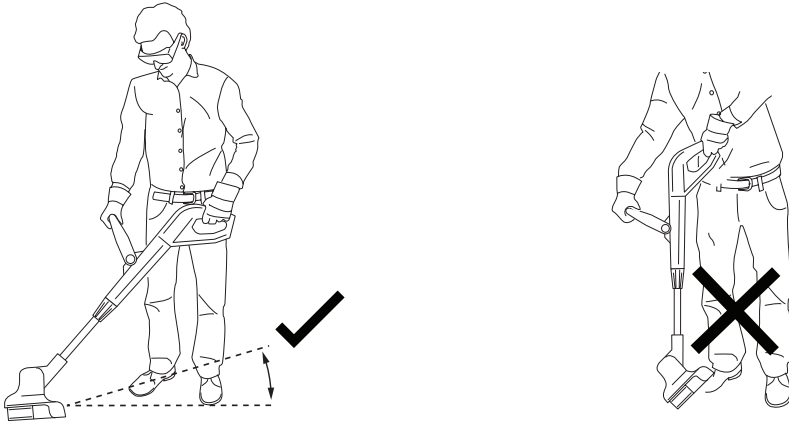


Fig. E

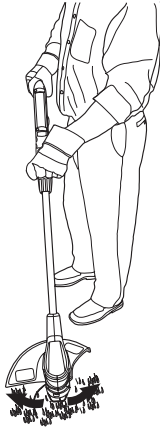


Fig. F



Fig. G

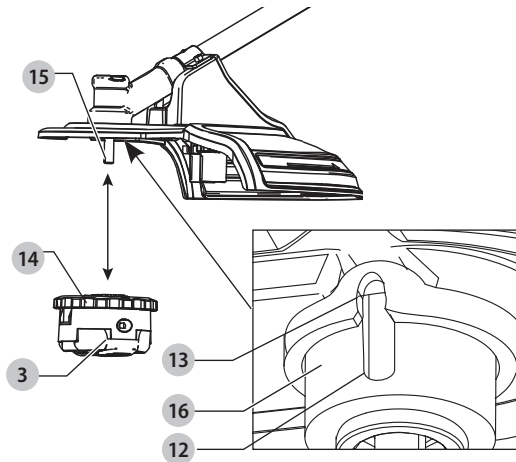


Fig. H

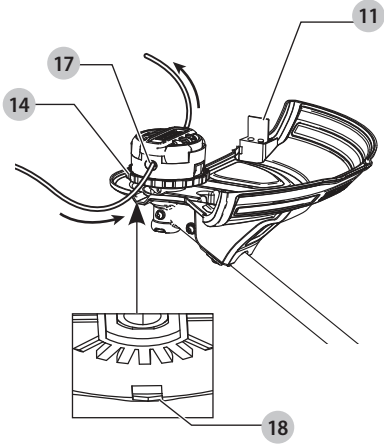


Fig. I

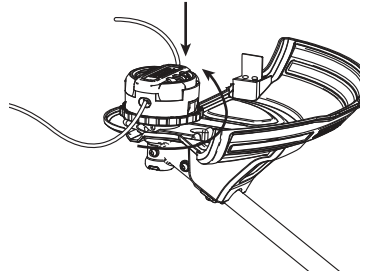
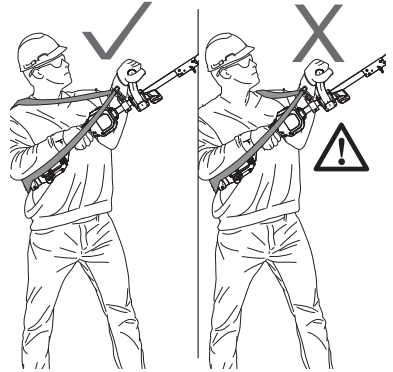
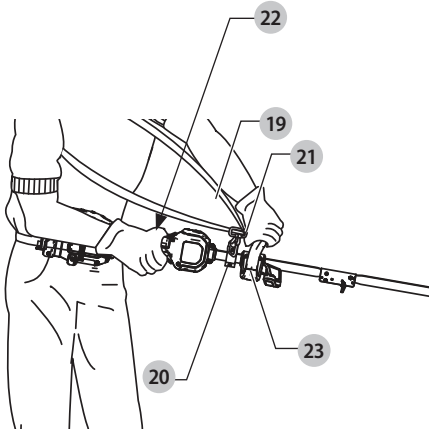


Fig. J



# STRING TRIMMER

## DCMASST1

### Congratulations!

You have chosen a DEWALT tool. Years of experience, thorough product development and innovation make DEWALT one of the most reliable partners for professional power tool users.

### Technical Data

DCMASST1		
Voltage	V <sub>DC</sub>	54
Low speed	/min	4400
High speed	/min	5400
Cutting Swath Size	mm	380
Weight	kg	2.1
Noise values and vibration values (tri-ax vector sum) according to EN50636-2-91		
L <sub>PA</sub> (emission sound pressure level)	dB(A)	82
K (uncertainty of sound pressure level)	dB(A)	2.5
L <sub>WA</sub> (sound power level)	dB(A)	92
K (uncertainty for the given sound level)	dB(A)	2.1
Vibration emission value a <sub>h</sub> =		
	m/s <sup>2</sup>	2.5
Uncertainty K =		
	m/s <sup>2</sup>	1.5

The vibration and/or noise emission level given in this information sheet has been measured in accordance with a standardised test given in EN50636-2-91 and may be used to compare one tool with another. It may be used for a preliminary assessment of exposure.



**WARNING:** The declared vibration and/or noise emission level represents the main applications of the tool. However if the tool is used for different applications, with different accessories or poorly maintained, the vibration and/or noise emission may differ. This may significantly increase the exposure level over the total working period.

An estimation of the level of exposure to vibration and/or noise should also take into account the times when the tool is switched off or when it is running but not actually doing the job. This may significantly reduce the exposure level over the total working period.

Identify additional safety measures to protect the operator from the effects of vibration and/or noise such as: maintain the tool and the accessories, keep the hands warm (relevant for vibration), organisation of work patterns.

### EC-Declaration of Conformity Machinery Directive



#### String Trimmer DCMASST1

DEWALT declares that these products described under **Technical Data** are in compliance with: 2006/42/EC, EN60335-1:2012 + A11:2014 + A13:2017 + A1:2019 + A14:2019 + A2:2019, EN50636-2-91:2014 2000/14/EC, Lawn Trimmer, L ≤ 50 cm, Annex VI DEKRA Certification B.V.

Meander 1051 / P.O. box 5185

6525 MJ ARNHEM / 6802 ED

ARNHEM, Netherlands

Notified Body ID No.: 0344

Level of acoustic power according to 2000/14/EC

(Article 12, Annex III, L ≤ 50 cm):

L<sub>PA</sub> (measured sound pressure) 82 dB(A)

uncertainty (K) = 2.5 dB(A)

L<sub>WA</sub> (guaranteed sound power) 96 dB(A)

These products also comply with Directive 2014/30/EU and 2011/65/EU. For more information, please contact DEWALT at the following address or refer to the back of the manual.

The undersigned is responsible for compilation of the technical file and makes this declaration on behalf of DEWALT.

Markus Rompel

Vice-President Engineering, PTE-Europe

DEWALT, Richard-Klinger-Straße 11,

65510, Idstein, Germany

31.12.2020



**WARNING:** To reduce the risk of injury, read the instruction manual.

### Definitions: Safety Guidelines


The definitions below describe the level of severity for each signal word. Please read the manual and pay attention to these symbols.




**DANGER:** Indicates an imminently hazardous situation which, if not avoided, **will** result in **death or serious injury**.



**WARNING:** Indicates a potentially hazardous situation which, if not avoided, **could** result in **death or serious injury**.


 **CAUTION:** Indicates a potentially hazardous situation which, if not avoided, **may** result in **minor or moderate injury**.


**NOTICE:** Indicates a practice **not related to personal injury** which, if not avoided, **may** result in **property damage**.

 Denotes risk of electric shock.

 Denotes risk of fire.

## SAFETY INSTRUCTIONS

 **WARNING:** When using mains-powered appliances, basic safety precautions, including the following, should always be followed to reduce the risk of fire, electric shock, personal injury and material damage.

 **WARNING:** When using the machine the safety rules must be followed. For your own safety and bystanders please read these instructions before operating the machine. Please keep the instructions safe for later use.

- Read all of this manual carefully before operating the appliance.
- The intended use is described in this manual. The use of any accessory or attachment or the performance of any operation with this appliance other than those recommended in this instruction manual may present a risk of personal injury.
- Retain this manual for future reference.

### IMPORTANT

**READ CAREFULLY BEFORE USE**  
**KEEP FOR FUTURE REFERENCE**

## SAFE OPERATING PRACTICES

### Training

- a) **Read the instructions carefully.** Be familiar with the controls and the correct use of the machine.
- b) **Never allow children or people unfamiliar with these instructions to use the machine.** Local regulations can restrict the age of the operator.
- c) Keep in mind that the operator or user is responsible for accidents or hazards occurring to other people or their property.

### Preparation

- a) Before use, always visually inspect the machine for damaged, missing or misplaced guards or shields.
- b) Never operate the machine while people, especially children, or pets are nearby.

### Operation

- a) Wear eye protection and stout shoes at all times while operating the machine.
- b) Avoid using the machine in bad weather conditions especially when there is a risk of lightning.
- c) Use the machine only in daylight or good artificial light.

- d) Never operate the machine with damaged guards or shields or without guards or shields in place.
- e) Switch on the motor only when the hands and feet are away from the cutting means.
- f) Always disconnect the machine from the power supply (i.e. remove the plug from the mains, remove the disabling device or removable battery)
  - whenever the machine is left unattended;
  - before clearing a blockage;
  - before checking, cleaning or working on the machine;
  - after striking a foreign object;
  - whenever the machine starts vibrating abnormally.
- g) Take care against injury to feet and hands from the cutting means.
- h) Always ensure that the ventilation openings are kept clear of debris.
- i) Remove any objects that may cause kickback, such as branches and rocks.
- j) Check for loose fasteners and damaged parts.
- k) Hold the tool using only the designated gripping surfaces: **the powerhead housing and the auxiliary handle (see Fig. D).** Do not use the pole as a gripping surface.

## Maintenance and Storage

- a) **Disconnect the machine from the power supply (i.e. remove the plug from the mains, remove the disabling device or removable battery)** before carrying out maintenance or cleaning work.
- b) Use only the manufacturer's recommended replacement parts and accessories.
- c) **Inspect and maintain the machine regularly.** Have the machine repaired only by an authorized repairer.
- d) When not in use, store the machine out of the reach of children.
- e) **Clean before storing, including the use of guards.**

## ADDITIONAL SAFETY INSTRUCTIONS FOR GRASS TRIMMERS

 **WARNING:** Cutting elements continue to rotate after the motor is switched off.

- Wear long trousers to protect your legs.
- Before using the appliance, check that your cutting path is free from sticks, stones, wire and any other obstacles.
- Only use the appliance in the upright position, with the cutting line near the ground. Never switch the appliance on in any other position.
- Move slowly when using the appliance. Be aware that freshly cut grass is damp and slippery.
- Do not work on steep slopes. Work across the face of slopes, not up and down.
- Never cross gravel paths or roads while the appliance is running.
- Never touch the cutting line while the appliance is running.

- Do not put the appliance down until the cutting line has come to a complete standstill.
- Use only the appropriate type of cutting line. Never use metal cutting line or fishing line.
- Keep hands and feet away from the cutting line and blade at all times, especially when switching on the motor.
- Before using the appliance and after any impact, check for signs of wear or damage and repair as necessary.
- Take care against injury from any device fitted for trimming the filament line length. After extending new cutter line always return the machine to its normal operating position before switching on.
- Close supervision is necessary when the appliance is used near children.
- This appliance is not intended for use by young or infirm persons without supervision.
- This appliance is not to be used as a toy.
- Use in a dry location only. Do not allow the appliance to become wet.
- Do not immerse the appliance in water.
- Do not open the body casing. There are not user-serviceable parts inside
- Do not operate the appliance in explosive atmospheres, such as in the presence of flammable liquids, gases or dust.
- When the appliance is stored or transported in a vehicle it should be placed in the boot or restrained to prevent movement following sudden changes in speed or direction.
- When not in use, the appliance should be stored in a dry, well ventilated place out of reach of children.
- Children should not have access to stored appliances.

## Safety of Others

- This appliance is not intended for use by persons (including children) with reduced physical, sensory or mental capabilities, or lack of experience and knowledge, unless they have been given supervision or instruction concerning use of the appliance by a person responsible for their safety.
- Children must be supervised to ensure that they do not play with the appliance.

## Residual Risks

To ensure you have good footing on slopes, do not overreach. Keep your balance at all times. Always walk, do not run.

Additional residual risks may arise when using the tool which may not be included in the enclosed safety warnings. These risks can arise from misuse, prolonged use etc.

Even with the application of the relevant safety regulations and the implementation of safety devices, certain residual risks can not be avoided. These include:

- Injuries caused by touching any rotating/moving parts.
- Injuries caused when changing any parts, blades or accessories.
- Injuries caused by prolonged use of a tool. When using any tool for prolonged periods ensure you take regular breaks.
- Impairment of hearing.

- Health hazards caused by breathing dust developed when using your tool (example: working with wood, especially oak, beech and MDF.)
- Risk of burns due to accessories becoming hot during operation.

## SAVE THESE INSTRUCTIONS

## Package Contents

The package contains:

- 1 String trimmer
- 1 Guard
- 2 Guard screws
- 2 Washers
- 1 Instruction manual
- Check for damage to the tool, parts or accessories which may have occurred during transport.
- Take the time to thoroughly read and understand this manual prior to operation.

## Markings on Tool

The following pictograms are shown on the tool:



Read instruction manual before use.



Wear eye protection.



Wear ear protection.



No hands



Hot surface. Do not touch.



Do not expose the tool to rain or high humidity or leave outdoors while it is raining.



Switch the tool off. Before performing any maintenance on the tool, remove the battery from the tool.



Keep bystanders away.



Directive 2000/14/EC guaranteed sound power.

## Date Code Position (Fig. B)

The date code **13**, which also includes the year of manufacture, is printed into the housing.


Example:

2020 XX XX

Year and week of Manufacture



## Description (Fig. A)

 **WARNING:** Never modify the tool. Damage or personal injury could result.

- 1 String trimmer pole
- 2 Guard
- 3 Spool housing

### Intended Use


Your string trimmer attachment has been designed to be used with your powerhead. This string trimmer has been designed for professional trimming applications.

**DO NOT** use under wet conditions or in the presence of flammable liquids or gases.

**DO NOT** let children come into contact with the tool. Supervision is required when inexperienced operators use this tool.

- **Young children and the infirm.** This appliance is not intended for use by young children or infirm persons without supervision.
- This product is not intended for use by persons (including children) suffering from diminished physical, sensory or mental abilities; lack of experience, knowledge or skills unless they are supervised by a person responsible for their safety. Children should never be left alone with this product.


## ASSEMBLY AND ADJUSTMENTS

 **WARNING:** To reduce the risk of serious personal injury, turn tool off and disconnect battery pack before making any adjustments or removing/ installing attachments or accessories. An accidental start-up can cause injury.


 **WARNING:** Use only DEWALT battery packs and chargers.

### Powerhead (Fig. B)

( sold separately)

 **WARNING:** To reduce risk of injury:

- Before any use, be sure everyone using this unit reads and understands all manufacturer's safety instructions and other information contained in manufacturer's manual.
- Never apply power without an attachment being properly mounted to the powerhead.

 **WARNING:** To reduce the risk of serious personal injury, turn unit off and remove the battery pack before making any adjustments or removing/ installing attachments or accessories, or prior to cleaning. An accidental start-up can cause injury.


Your string trimmer is designed such that the powerhead can separate from the string trimmer attachment by turning the knob 5 counterclockwise and gently pulling them apart by their poles 1, 6.

This should only be done with the power switch off and the battery pack removed. Inside the upper powerhead pole 6 is a mechanical coupling that will spin if the powerhead is turned on. This coupling can cause severe injury if contacted while the powerhead is operating.

**NOTE:** A double shoulder harness is required if the mass of the tool and battery pack exceed 7.5 kg.

## Assembling the String Trimmer Attachment to the Powerhead (Fig. A, B)

1. When installing the string trimmer attachment 1 into the upper powerhead pole 6, align the latching button 7 with the hole 8 as shown in Fig. B.
2. Turn the knob 5 clockwise to lock attachment to upper powerhead pole. When properly assembled, it should look like Fig. B. If it does not, do not use, disassemble and re-align the pole saw attachment 1 so the latching button 7 engages the hole 8.


 **WARNING:** Always check to make sure that the knobs are completely secured in place. If the knobs are not completely secured it could result in the assemblies becoming disconnected creating a hazardous condition.


## Assembling the Guard (Fig. C)

1. Slide the guard 2 into place as shown in Fig. C.
2. Secure with the guard screws and washers 10 and washers, tighten securely.

## OPERATION


### Instructions for Use


 **WARNING:** Always observe the safety instructions and applicable regulations.

 **WARNING:** To reduce the risk of serious personal injury, turn tool off and disconnect battery pack before making any adjustments or removing/ installing attachments or accessories. An accidental start-up can cause injury.

### Proper Hand Position (Fig. A, K)

 **WARNING:** To reduce the risk of serious personal injury, ALWAYS use proper hand position as shown.

 **WARNING:** To reduce the risk of serious personal injury, ALWAYS hold securely in anticipation of a sudden reaction.

 **WARNING:** Hold the tool using only the designated gripping surfaces: The powerhead handle and the auxiliary handle.


 **WARNING:** Do not use the pole as a gripping surface.

Proper hand position requires one hand on the powerhead handle 22 and one hand on the auxiliary handle 23.

### Trimming (Fig. D–F)

With the string trimmer on, angle it and swing side to side as shown in Fig. D, E.

Maintain a minimum distance of 610 mm between the guard and your feet as shown in Fig. F.

 **WARNING:** Keep the rotating string roughly parallel with the ground (tilted no more than 30 °). This trimmer is not an edger. DO NOT TILT the trimmer so that the string is

*spinning near a right angle to the ground. Flying debris can cause serious injury.*

## Bump Feed Trimmer Line Feed

Your trimmer uses 2.0 mm diameter nylon line. Cutting line will wear faster and require more feeding if the cutting is done along sidewalks or other abrasive surfaces or heavier weeds are being cut.

As you use the trimmer, the string will get shorter due to wear. Gently bump the trimmer on the ground while running at normal speed and the line will feed.

**NOTE:** Extending nylon line beyond the 380 mm swath will negatively affect performance, runtime, and the life of the trimmer due to potential of damaging motor. Doing so may void the warranty.

## Helpful Cutting Tips

- Use the tip of the string to do the cutting; do not force string head into uncut grass.
- Wire and picket fences cause extra string wear, even breakage. Stone and brick walls, curbs, and wood may wear string rapidly.
- Do not allow spool cap to drag on ground or other surfaces.
- In long growth, cut from the top down and do not exceed 380 mm high.
- Keep trimmer tilted toward the area being cut; this is the best cutting area.
- The trimmer cuts when passing the unit from the left to right. This will avoid throwing debris at the operator.
- Avoid trees and shrubs. Tree bark, wood moldings, siding, and fence posts can easily be damaged by the string.

## MAINTENANCE

Your power tool has been designed to operate over a long period of time with a minimum of maintenance. Continuous satisfactory operation depends upon proper tool care and regular cleaning.



**WARNING:** To reduce the risk of serious personal injury, turn tool off and disconnect battery pack before making any adjustments or removing/installing attachments or accessories. An accidental start-up can cause injury.

The charger and battery pack are not serviceable.

## Maintenance Treatments (Fig. H)

- Your trimmer line can dry out over time. To keep your line in top condition, store spare line in a plastic, sealable bag with a tablespoon of water.
- Plastic parts may be cleaned by using a mild soap and a damp rag.
- The line cutter **11** on the edge of the guard can dull over time. It is recommended you periodically touch-up the sharpness of the blade with a file.



## Lubrication

Your power tool requires no additional lubrication.



## Cleaning



**WARNING:** Blow dirt and dust out of the main housing with dry air as often as dirt is seen collecting in and around the air vents. Wear approved eye protection and approved dust mask when performing this procedure.



**WARNING:** Never use solvents or other harsh chemicals for cleaning the non-metallic parts of the tool. These chemicals may weaken the materials used in these parts. Use a cloth dampened only with water and mild soap. Never let any liquid get inside the tool; never immerse any part of the tool into a liquid.

## Optional Accessories



**WARNING:** Since accessories, other than those offered by DEWALT, have not been tested with this product, use of such accessories with this tool could be hazardous. To reduce the risk of injury, only DEWALT recommended accessories should be used with this product.

Consult your dealer for further information on the appropriate accessories.



**WARNING:** To reduce the risk of serious personal injury, turn appliance off and remove battery before making any adjustments or removing/installing attachments or accessories.



**WARNING:** The use of any accessory not recommended by DEWALT for use with this appliance could be hazardous.



**WARNING:** Do not use any blades, or any accessory or attachment other than those recommended by DEWALT on this trimmer. Serious injury or product damage may result.



**CAUTION:** Use only DEWALT replacement spools and line. All line must be spiral-shaped with smooth, round edges. Using any other manufacturer's line can reduce performance, damage the trimmer or cause personal injury.

Your trimmer uses 2.0 mm diameter line, however a 2.4 mm line may be used. Other sizes may degrade performance or cause damage to the trimmer. Other sizes may degrade performance or cause damage to the trimmer.

## Replacing Spool Assembly (Fig. G)

1. Rotate the spool housing **3** until the hole **12** in the spindle plate aligns with notch **13** in the motor housing. Insert a screwdriver through the notch and into the hole, to prevent the spindle from turning.

- Unscrew and remove the spool housing by turning the spool grip cover **14** clockwise.  
**NOTE:** Do not try to remove the spool housing by turning the spool housing **3**.
- Remove spindle plate **16** before installing a new spool. Remove any dirt and grass from the motor housing and spindle plate.
- Install spindle plate **16** onto the spindle **15**, so the double D shaped retaining nut on the spindle sits inside the base of the spindle plate.
- Align the spindle plate hole and notch, insert the screwdriver back into the hole and thread the new spool housing counterclockwise. Securely tighten the new spool housing onto the spindle **15**.

## Reloading the Cutting Line (Fig. H, I)



**WARNING:** To reduce the risk of serious personal injury, turn unit off and remove the battery pack before making any adjustments or removing/installing attachments or accessories, when replacing line, or prior to cleaning. An accidental start-up can cause injury.



**CAUTION:** Use only DeWALT replacement spools and line. Using any other manufacturer's line can reduce performance, damage the trimmer or cause personal injury.  
Your trimmer uses 2.0 mm diameter line that is spiral-shaped with smooth round edges. Do not use other size lines. This can degrade performance, cause damage to the unit or injury.



**CAUTION:** To avoid appliance damage, if the cutting line protrudes beyond the trimming blade, cut it off so that it just reaches the blade.

Use only DeWALT replacement line.

- Remove battery.
- Cut a max of 6 m length of of 2.0 mm trimmer line.
- Align spool housing eyelets **17** with the arrow **18** on the spool grip cover **14** as shown in Figure H.
- Thread one end of the trimmer line through an eyelet. Guide the line through to the second eyelet and continue to pull the line through until there are equal lengths of string on each side of the spool housing.
- Secure the spool cap from moving with one hand. Using your other hand, wind the string onto the spool by rotating the spool grip cover counterclockwise. Continue winding until 130 mm of string remain on each side of the spool housing as shown in Fig. I.

## Replacing Guard With Extended Coverage Guard (Fig. A, C)

An extended coverage guard is available (sold separately) for extra coverage if desired. Use DeWALT replacement guard Part Number N905733.



**WARNING:** Never operate appliance without guard firmly in place.

- Remove the spool housing as described in the **Replacing Spool Assembly** section.
- Remove the two guard screws **10** shown in Fig. C.
- Lift the guard off at an angle as shown in Fig. C.
- To attached a new guard, slide the tab **24** of the new guard under the lip **25** of the motor housing **26**, then lower the back of the guard into place as shown in Fig. A.
- Replace and securely tighten the two guard screws **10**.
- Replace the spool housing as described in the **Replacing Spool Assembly** section.

## Attaching and Adjusting the Shoulder Strap (Fig. D, E)



**WARNING:** The strap (19) should only be slung over one shoulder and not across the body. See Fig. E.

A shoulder strap is recommended for any tool with a total weight exceeding 6 kg. (Total weight includes the power head, attachment, and battery.) A shoulder strap is available at an additional cost from DeWALT, part number N502343. Attach the strap to the tool as shown in Fig. D and adjust for proper balance and support

- Attach the strap mount.
- Snap the shoulder strap latch **21** onto the strap mount **20** located on the unit, just in front of the ON/OFF trigger as shown in Fig. D. Adjust the strap so it fits over your shoulder and provides proper balance and support.

## Protecting the Environment



Separate collection. Products and batteries marked with this symbol must not be disposed of with normal household waste.

Products and batteries contain materials that can be recovered or recycled reducing the demand for raw materials. Please recycle electrical products and batteries according to local provisions. Further information is available at [www.2helpU.com](http://www.2helpU.com).

## Rechargeable Battery Pack

This long life battery pack must be recharged when it fails to produce sufficient power on jobs which were easily done before. At the end of its technical life, discard it with due care for our environment:

- Run the battery pack down completely, then remove it from the tool.
- Li-Ion cells are recyclable. Take them to your dealer or a local recycling station. The collected battery packs will be recycled or disposed of properly.

# ТРИММЕР. НАСАДКА ДЛЯ СИЛОВОГО ПРИВОДА

## DCMASST1

### Поздравляем!

Вы приобрели инструмент DeWALT. Многолетний опыт, тщательная разработка изделий и инновации делают компанию DeWALT одним из самых надёжных партнеров для пользователей профессионального электроинструмента.

### Технические характеристики

		DCMASST1
Напряжение	В пост. тока	54
Низкая скорость	об/мин.	4400
Высокая скорость	об/мин.	5400
Ширина скашивания	мм	380
Вес	кг	2,1

Значения шума и вибрации (сумма векторов в трех плоскостях) в соответствии с EN50636-2-91

$L_{PA}$ (уровень звукового давления)	дБ(А)	82
K (погрешность измерения звукового давления)	дБ(А)	2,5
$L_{WA}$ (уровень акустической мощности)	дБ(А)	92
K (погрешность измерения акустической мощности)	дБ(А)	2,1
Значения вибрационного воздействия	м/с <sup>2</sup>	2,5
$a_h =$		
Погрешность K =	м/с <sup>2</sup>	1,5

Значение шумовой эмиссии и/или эмиссии вибрации, указанное в данном справочном листке, было получено в соответствии со стандартным тестом, приведенным в EN50636-2-100, и может использоваться для сравнения инструментов. Кроме того, оно может использоваться для предварительной оценки воздействия вибрации.



**ОСТОРОЖНО!** Заявленное значение шумовой эмиссии и/или эмиссии вибрации относится к основным областям применения инструмента. Однако, если инструмент используется для различных целей, с различными дополнительными принадлежностями или при ненадлежащем уходе, то уровень шума и/или вибрации может измениться. Это может привести к значительному увеличению уровня воздействия вибрации в течение всего рабочего периода.

При расчете приблизительного значения уровня воздействия шума и/или вибрации также необходимо учитывать время, когда инструмент выключен или то время, когда он работает на холостом ходу. Это может привести к

значительному снижению уровня воздействия вибрации в течение всего рабочего периода.

Определите дополнительные меры техники безопасности для защиты оператора от воздействия шума и/или вибрации, а именно: поддержание инструмента и дополнительных принадлежностей в рабочем состоянии, создание комфортных условий работы (соответствующих вибрации), хорошая организация рабочего места.

### Декларация о соответствии нормам ЕС Директива по механическому оборудованию



#### Триммер. Насадка для силового привода DCMASST1

DeWALT заявляет, что продукция, описанная в разделе «Технические характеристики» соответствует: 2006/42/EC, EN60335-1:2012 + A11:2014 + A13:2017 + A1:2019 + A14:2019 + A2:2019, EN50636-2-91:2014

2000/14/EC, Газонокодилка, D ≤ 50 см, Приложение VI DEKRA Certification B.V.

Meander 1051 / P.O. box 5185

6525 MJ ARNHEM / 6802 ED

ARNHEM, Нидерланды

Идентификационный № уведомленного органа: 0344

Уровень акустической мощности в соответствии с директивой 2000/14/EC

(Статья 12, Приложение III, L ≤ 50 см):

$L_{PA}$  (измеренное звуковое давление) 82 дБ(А)  
погрешность (K) = 2,5 дБ(А)

$L_{WA}$  (гарантированная акустическая мощность) 96 дБ(А)

Эти продукты также соответствуют Директивам 2014/30/EU и 2011/65/EU. Для получения дополнительной информации обратитесь в компанию DeWALT по адресу, указанному ниже или приведенному на задней стороне обложки руководства. Нижеподписавший несет ответственность за составление технической документации и составил данную декларацию по поручению компании DeWALT.

Маркус Ромпел

Вице-президент по инженерным разработкам, PTE-Europe

DeWALT, Richard-Klinger-Straße 11,

65510, Idstein, Germany

31.12.2020



**ВНИМАНИЕ:** Во избежание риска получения травм ознакомьтесь с инструкцией.

## Обозначения: правила техники безопасности

Ниже описывается уровень опасности, обозначаемый каждым из предупреждений. Прочитайте руководство и обратите внимание на данные символы.



**ОПАСНО:** Обозначает опасную ситуацию, которая неизбежно приведет к **серьезной травме или смертельному исходу**, в случае несоблюдения соответствующих мер безопасности.



**ВНИМАНИЕ:** Указывает на потенциально опасную ситуацию, которая, в случае несоблюдения соответствующих мер безопасности, может привести к **серьезной травме или смертельному исходу**.



**ПРЕДУПРЕЖДЕНИЕ:** Указывает на потенциально опасную ситуацию, которая, в случае несоблюдения соответствующих мер безопасности **может** стать причиной травм **средней или легкой степени тяжести**.

**ПОЯСНЕНИЕ:** Указывает на практики, использование которых не связано с получением травмы, но если ими пренебречь, могут привести к **порче имущества**.



Указывает на риск поражения электрическим током.



Указывает на риск возгорания.

## ПРАВИЛА ТЕХНИКИ БЕЗОПАСНОСТИ



**ВНИМАНИЕ:** Для снижения риска возникновения пожара, поражения электрическим током, получения травм и материального ущерба при использовании инструмент с питанием от сети нужно обязательно соблюдать основные меры предосторожности, включая следующие.



**ВНИМАНИЕ:** При использовании инструмента обязательно соблюдайте правила техники безопасности. Для Вашей собственной безопасности и безопасности окружающих прочитайте данное руководство, прежде чем приступить к работе с инструментом. Сохраните руководство для дальнейшего использования.

- Прежде чем приступить к работе с инструментом, внимательно прочитайте настоящее руководство.
- В данном руководстве описано предусмотренное применение. Использование каких-либо принадлежностей или насадок, а также выполнение каких-либо операций, отличных от рекомендованных в данном руководстве, может привести к травмам.
- Сохраните данное руководство для справки в будущем.

### ВАЖНО

**ВНИМАТЕЛЬНО ПРОЧИТАЙТЕ ПЕРЕД  
ИСПОЛЬЗОВАНИЕМ  
СОХРАНИТЕ ДЛЯ БУДУЩЕГО ИСПОЛЬЗОВАНИЯ**

## ПРАВИЛА БЕЗОПАСНОЙ ЭКСПЛУАТАЦИИ

### Обучение

- Внимательно прочитайте инструкции.** Ознакомьтесь со средствами управления и правильным использованием инструмента.
- Не позволяйте детям или лицам, незнакомым с данными инструкциями, использовать инструмент.** Местные нормы могут налагать ограничения на возраст оператора.
- Учитывайте, что оператор или пользователь несет ответственность за несчастные случаи или опасности, создаваемые другим лицам или их собственности.

### Подготовка к эксплуатации

- Перед использованием всегда проверяйте инструмент визуально на предмет поврежденных, отсутствующих или утерянных кожухов или щитков.
- Не используйте инструмент, если рядом присутствуют посторонние, особенно дети, или домашние животные.**

### Эксплуатация

- Всегда надевайте защитные очки и обувь на толстой подошве при использовании инструмента.
- Избегайте работы с инструментом в плохих погодных условиях, особенно при риске удара молнии.
- Используйте инструмент только днем или при хорошем искусственном освещении.
- Не используйте инструмент с поврежденным кожухами и щитками или без кожухов и щитков.
- Включайте электродвигатель только когда руки и ноги находятся на безопасном расстоянии от режущих частей.
- Всегда отсоединяйте инструмент от источника питания (например, извлекайте вилку из розетки, извлекайте предохранительное устройство или съемную аккумуляторную батарею)
  - когда инструмент остается без присмотра;
  - перед тем как удалить затвор;
  - перед проверкой, чисткой или обслуживанием инструмента;
  - после удара об инородный предмет;
  - при наличии ненормальных вибраций в инструменте.
- Остерегайтесь травмирования рук и ног режущими частями.
- Всегда удостоверьтесь, что вентиляционные отверстия чисты от загрязнений.
- Удалите все предметы, которые могут вызвать обратный удар, такие как ветки и камни.
- Проверьте, нет ли ослабленных крепежных элементов и поврежденных частей.

- к) Удерживайте инструмент только за предназначенные для этого области захвата: **корпус силовой головки и дополнительную рукоятку (см. Рис. D)**. Не используйте для захвата стану инструмент.

## Обслуживание и хранение

- а) Отсоединяйте инструмент от источника питания (например, вынимайте вилку из розетки, вынимайте предохранительное устройство или съемную аккумуляторную батарею) перед выполнением технического обслуживания или чисткой.
- б) Используйте только рекомендованные производителем запасные части и дополнительные принадлежности.
- в) **Регулярно проверяйте и выполняйте обслуживание инструмента.** Ремонт инструмента должен производиться авторизованным специалистом по ремонту.
- д) Когда инструмент не используется, храните в недоступном для детей месте!
- е) Очищайте перед хранением, включая использование защитных кожухов.

- Проверяйте инструмент на предмет поврежденных перед каждым использованием и после каждого столкновения и выполняйте ремонт по необходимости.
- Будьте осторожны, чтобы не получить травм от какого-либо из инструмент для обрезки лески. После выдвигения новой режущей лески всегда возвращайте инструмент в нормальное рабочее положение перед тем, как его включить.
- При работе рядом с детьми необходимо особое внимание.
- Данный инструмент не предназначен для использования несовершеннолетними или лицами с ограниченными возможностями, если они не находятся под присмотром.
- Инструмент не предназначен для игр.
- Используйте только в сухом месте. Не допускайте попадания влаги в инструмент.
- Не погружайте инструмент в воду.
- Запрещается вскрывать корпус. Внутри инструмента нет деталей, обслуживаемых пользователем
- Не используйте инструмент во взрывоопасной среде, например, при наличии горючих жидкостей, газов или пыли.
- Если инструмент хранится или транспортируется в транспортном средстве, его нужно поместить в багажник или закрепить, во избежание перемещения в результате резкого изменения скорости или направления движения.
- Если инструмент не используется, его нужно хранить в сухом, хорошо вентилируемом помещении, недоступном для детей.
- Дети не должны иметь доступа к помещенным на хранение инструментам.

## ДОПОЛНИТЕЛЬНЫЕ МЕРЫ БЕЗОПАСНОСТИ ПРИ РАБОТЕ С ТРИММЕРАМИ



**ВНИМАНИЕ:** Режущие части продолжают вращаться после выключения электродвигателя.

- Надевайте длинные брюки, чтобы защитить ноги.
- Перед использованием инструмента убедитесь, что в области под скос нет палок, камней, проволоки и других препятствий.
- Используйте инструмент только в вертикальном положении, режущей леской к земле. Не включайте инструмент в каком-либо другом положении.
- При использовании инструмента передвигайтесь медленно. Помните, что свежескошенная трава может быть влажной и скользкой.
- Не работайте на крутых уклонах. Работайте по поверхности уклона, а не вверх и вниз.
- Не пересекайте гравийные дорожки или дороги с работающим инструментом.
- Не прикасайтесь к режущей леске включенного инструмента.
- Не ставьте инструмент на землю до тех пор, пока режущая леска не остановится полностью.
- Используйте только режущую леску соответствующего типа. Не используйте металлическую режущую леску или рыболовную леску.
- Всегда держите руки и ноги на безопасном расстоянии от режущей лески и ножа, особенно при включении электродвигателя.

## Безопасность окружающих

- Данный инструмент не предназначен для использования лицами (включая детей) с ограниченными физическими, сенсорными или ментальными возможностями, а также лицами без достаточного опыта и знаний, если только они не делают этого под руководством лица имеющего соответствующий опыт и отвечающего за их безопасность.
- Не позволяйте детям играть с данным инструментом.

## Остаточные риски

В целях сохранения равновесия на уклонах не пытайтесь дотянуться до слишком удаленных поверхностей. Всегда сохраняйте равновесие. Ходите пешком, не бегите.

При работе с данным инструментом возможно возникновение дополнительных остаточных рисков, которые не вошли в описанные здесь правила техники безопасности. Это может произойти при неправильной эксплуатации или продолжительном использовании инструмента и т. п.

Несмотря на соблюдение соответствующих инструкций по технике безопасности и использование предохранительных устройств, некоторые остаточные риски невозможно полностью исключить. К ним относятся:

- Травмы в результате касания вращающихся/движущихся частей.
- Травмы, которые могут произойти в при замене деталей, ножа или аксессуаров.
- Травмы, связанные с продолжительным использованием инструмента. При использовании любого инструмента в течение продолжительного периода времени не забывайте делать перерывы.
- Ухудшение слуха.
- Угроза здоровью, связанная с вдыханием пыли, которая образуется при использовании этого инструмента (например, при работе с деревом, особенно дубом, березой и МДФ.)
- Риск получения ожогов в результате нагревания инструмента в процессе работы.

## СОХРАНИТЕ НАСТОЯЩЕ РУКОВОДСТВО

### Комплектация поставки

В упаковку входят:

- 1 Триммер. Насадка для силового привода
- 1 Защитный кожух
- 2 Винта защитного кожуха
- 2 Шайбы
- 1 Руководство по эксплуатации

- Проверьте инструмент, детали и дополнительные принадлежности на наличие повреждений, которые могли произойти во время транспортировки.
- Перед эксплуатацией внимательно прочтите данное руководство.

### Маркировка инструмента

На инструмент нанесены следующие обозначения:



Перед началом работы прочтите руководство по эксплуатации.



Используйте защитные очки.



Используйте защитные наушники.



Не трогать руками



Горячая поверхность. Не прикасайтесь к нему.



Не подвергайте инструмент воздействию дождя или высокой влажности и не оставляйте снаружи во время дождя.



Выключите инструмент. Перед выполнением любых работ по обслуживанию инструмента, извлекайте из инструмента аккумуляторную батарею.



Держите посторонних лиц на безопасном расстоянии.



Гарантированная акустическая мощность по директиве 2000/14/ЕС.

### Место положения кода даты (Рис. В)

Код даты (13), который также включает в себя год изготовления, отштампован на поверхности корпуса инструмента.

Пример:

2020 XX XX  
Год изготовления

### Описание (Рис. А)



**ВНИМАНИЕ:** Никогда не модифицируйте инструмент. Это может привести к повреждению или травме.

- 1 Штанга триммера
- 2 Защитный кожух
- 3 Корпус катушки

### Назначение

Ваша насадка триммера предназначена для использования с вашим силовым приводом. Данная насадка предназначена для профессиональных работ по кошению.

**НЕ ИСПОЛЬЗУЙТЕ** в условиях повышенной влажности или близости от легковоспламеняющихся жидкостей или газов.

**НЕ РАЗРЕШАЙТЕ** детям прикасаться к инструменту.

Использование инструмента неопытными пользователями должно происходить под контролем опытного лица.

- **Малолетние дети и люди с ограниченными физическими возможностями.** Этот инструмент не предназначен для использования малолетними детьми или людьми с ограниченными физическими возможностями кроме как под контролем лица, отвечающего за их безопасность.
- Данный инструмент не предназначен для использования лицами (включая детей) с ограниченными физическими, психическими и умственными возможностями, не имеющими опыта, знаний или навыков работы с ним, если они не находятся под наблюдением лица, ответственного за их безопасность. Никогда не оставляйте детей без присмотра с этим инструментом.

### СБОРКА И РЕГУЛИРОВКА



**ВНИМАНИЕ:** Для снижения риска получения тяжелых травм выключайте инструмент и извлекайте аккумуляторную батарею перед

**проведением любых действий по регулировке или установке/снятию дополнительных принадлежностей или насадок.** Случайный запуск может привести к травме.



**ВНИМАНИЕ:** Use only DEWALT. Используйте только аккумуляторы и зарядные устройства.

## Силовой привод (Рис. В)

(продается отдельно)



**ВНИМАНИЕ:** Чтобы снизить риск получения травмы:

- Перед любым использованием убедитесь, что все, кто использует этот инструмент, читают и понимают все инструкции по технике безопасности и другую информацию, содержащуюся в данном руководстве.
- Никогда не включайте инструмент без установленной насадки на силовую головку.



**ВНИМАНИЕ:** Для снижения риска получения тяжелых травм выключайте инструмент и извлекайте аккумуляторную батарею перед проведением любых действий по регулировке или установке/снятию дополнительных принадлежностей или насадок, а также перед чисткой. Случайный запуск инструмента может привести к травме.

Ваша насадка триммера сконструирована таким образом, что силовой привод может отделяться от насадки триммера путем поворачивания рукоятки **5** против часовой стрелки и аккуратного отсоединения их друг от друга, потянув за штанги **1**, **6**.

Это можно делать, только когда инструмент выключен и отсоединен от аккумуляторной батареи. Внутри верхней штанги силового привода **6** находится механическая муфта, которая будет вращаться при включении силовой головки. Эта муфта при контакте может вызвать серьезные травмы, когда силовая головка работает.

**ПРИМЕЧАНИЕ:** Если масса инструмента и аккумуляторной батареи превышает 7,5 кг, требуется двойной наплечный ремень.

## Установка насадки триммера на силовой привод (Рис. А, В)

1. При установке насадки триммера **1** на верхнюю штангу силового привода **6**, совместите фиксирующую кнопку **7** с отверстием **8**, как показано на Рис. В.
2. Поверните рукоятку **5** по часовой стрелке, чтобы зафиксировать насадку на верхней штанге силового привода. При правильно установке они должны выглядеть как на Рис. В. Если это не так, не используйте инструмент, отсоедините и снова выровняйте насадку **1**, чтобы фиксирующая кнопка **7** вошла в отверстие **8**.



**ВНИМАНИЕ:** Всегда убеждайтесь, что рукоятки надежно зафиксированы на месте. Если рукоятки не закреплены полностью, это может привести

к отсоединению узлов и возникновению опасной ситуации.

## Установка защитного кожуха (Рис. С)

1. Надвиньте защитный кожух **2** на место, как показано на Рис. С.
2. Вставьте винты защитного кожуха **10** и шайбы и надежно затяните.

## ЭКСПЛУАТАЦИЯ

### Инструкции по использованию



**ВНИМАНИЕ:** Всегда следуйте указаниям действующих норм и правил безопасности.



**ВНИМАНИЕ:** Чтобы снизить риск получения серьезной травмы, необходимо выключить инструмент и отсоединить батарею, прежде чем выполнять какую-либо регулировку либо удалять/устанавливать какие-либо насадки или дополнительные принадлежности.

Случайный запуск может привести к травме.

### Правильное положение рук во время работы (Рис. А, К)



**ВНИМАНИЕ:** Для уменьшения риска получения тяжелой травмы, **ВСЕГДА** правильно удерживайте инструмент, как показано на рисунке.



**ВНИМАНИЕ:** Для уменьшения риска получения тяжелой травмы, **ВСЕГДА** надежно удерживайте инструмент, предупреждая внезапные сбои в работе.



**ВНИМАНИЕ:** Удерживайте инструмент для предназначенные для этого области захвата: Рукоятку силового привода и дополнительную рукоятку.



**ВНИМАНИЕ:** Не удерживайте инструмент за штангу.

При правильном расположении рук одна рука находится на рукоятке силового привода **22**, а другая на дополнительной рукоятке **23**.

### Кошение (Рис. D–F)

Включив триммер, наклоните его и водите им из стороны в сторону, как показано на Рис. D, E.

Сохраняйте дистанцию как минимум в 610 мм между кожухом и вашими ногами, как показано на Рис. F.



**ВНИМАНИЕ:** Удерживайте вращающуюся леску примерно параллельно земле (наклоняя ее не более, чем на 30°). Данная газонокосилка не предназначена для обработок кромок газонов. НЕ НАКЛОНЯЙТЕ газонокосилку так, чтобы леска вращалась под прямым углом к земле. Летящие предметы могут привести к серьезным травмам.



## Ударный механизм подачи лески

В вашем триммере используется нейлоновая леска диаметром 2,0 мм. Режущая леска будет быстрее изнашиваться и требовать дальнейшей подачи при скашивании травы вдоль тротуаров и других абразивных поверхностей, или при скашивании более тяжелых сорняков.

По мере использования триммера, леска будет укорачиваться из-за износа. Аккуратно ударьте катушкой триммера о землю при работе на нормальной скорости, чтобы подать леску.

**ПРИМЕЧАНИЕ:** Подача лески за пределы ширины скашивания в 380 мм негативно повлияет на производительность, срок работы и срок эксплуатации газонокосилки из-за возможности повредить электродвигатель. Это может аннулировать гарантию.

## Полезные советы по скашиванию

- Выполняйте скашивание кончиком лески, не давите головкой катушки на нескошенную траву.
- Проволочные заборы и частокотлы дополнительно изнашивают леску и могут даже порвать леску. Каменные и кирпичные стены, бордюры и дерево могут быстро износить леску.
- Не протаскивайте крышку катушки по земле или другим поверхностям.
- Косите высокую траву сверху вниз и не превышайте высоту в 380 мм.
- Держите триммер наклоненным в сторону скашиваемой области, так как это наилучшее положение для кошения.
- Триммер скашивает при передвижении инструмента слева направо. Это помогает предотвратить полет частиц в сторону оператора.
- Избегайте деревьев и кустов. Древесная кора, деревянные пояски, обшивка стен и столбы заборов легко повреждаются леской.

## ТЕХНИЧЕСКОЕ ОБСЛУЖИВАНИЕ

Электроинструмент имеет длительный срок эксплуатации и требует минимальных затрат на техобслуживание. Для длительной безотказной работы необходимо обеспечить правильный уход за инструментом и его регулярную очистку.

**⚠ ВНИМАНИЕ:** Чтобы снизить риск получения серьезной травмы, необходимо выключить инструмент и отсоединить батарею, прежде чем выполнять какую-либо регулировку либо удалять/устанавливать какие-либо насадки или дополнительные принадлежности.

Случайный запуск может привести к травме.

Зарядное устройство и аккумуляторные батареи не ремонтопригодны.

## Приемы технического обслуживания (Рис. Н)

- Леска триммера со временем может иссохнуть. Чтобы поддерживать леску в хорошем состоянии, держите запасную леску в полиэтиленовом, герметичном пакете со столовой ложкой воды.
- Пластмассовые части можно чистить мягким мыльным раствором и влажной тканью.
- Нож для обрезки лески **11** на краю кожуха может со временем затупиться. Рекомендуется периодически затачивать нож напильником.



## Смазка

Ваш электроинструмент не требует дополнительной смазки.



## Чистка

**⚠ ВНИМАНИЕ:** Выдувайте грязь и пыль из корпуса сухим сжатым воздухом по мере видимого скопления грязи внутри и вокруг вентиляционных отверстий. Выполняйте очистку, надев средство защиты глаз и респиратор утвержденного типа.

**⚠ ВНИМАНИЕ:** Никогда не используйте растворители или другие агрессивные химические средства для очистки неметаллических деталей инструмента. Эти химикаты могут ухудшить свойства материалов, примененных в данных деталях. Используйте ткань, смоченную в воде с мягким мылом. Не допускайте попадания какой-либо жидкости внутрь инструмента; ни в коем случае не погружайте какую-либо часть инструмента в жидкость.

## Дополнительные принадлежности

**⚠ ВНИМАНИЕ:** Поскольку принадлежности, отличные от тех, которые предлагает DEWALT, не проходили тесты на данном изделии, то использование этих принадлежностей может привести к опасной ситуации. Во избежание риска получения травмы, с данным продуктом должны использоваться только рекомендованные DEWALT дополнительные принадлежности.

По вопросу приобретения дополнительных принадлежностей обращайтесь к Вашему дилеру.

**⚠ ВНИМАНИЕ:** Чтобы снизить риск получения серьезной травмы, необходимо выключить инструмент и извлечь батарею, прежде чем выполнять какую-либо регулировку либо удалять/устанавливать какие-либо дополнительные приспособления.

**ВНИМАНИЕ:** Использование любых принадлежностей, не рекомендованных DEWALT для использования с этим инструментом, может быть опасным.

**ВНИМАНИЕ:** Не используйте лезвия или какие-либо другие дополнительные принадлежности или насадки, за исключением рекомендованных DEWALT с данной газонокосилкой. Это может повлечь за собой серьезные травмы и повреждения изделия.

**ПРЕДУПРЕЖДЕНИЕ:** Используйте только запасные катушки и леску DEWALT. Леска должна быть спиральной с гладкими округлыми краями. Использование лески от каких-либо других производителей может снизить рабочие характеристики, повредить газонокосилку или повлечь за собой травмы.

Ваша газонокосилка использует леску диаметром 2,0 мм, однако также можно использовать леску диаметром 2,4 мм. Лески других размеров могут привести к снижению производительности и повреждениям газонокосилки. Лески других размеров могут привести к снижению производительности и повреждениям газонокосилки.

### Замена узла катушки (Рис. G)

1. Поворачивайте корпус катушки **3** до тех пор, пока отверстие **12** в пластине шпинделя не совпадет с меткой **13** на корпусе двигателя. Вставьте отвертку сквозь метку в отверстие, чтобы не дать шпинделю вращаться.
2. Выверните и снимите корпус катушки, поворачивая крышку катушки **14** по часовой стрелке.  
**ПРИМЕЧАНИЕ:** Не пытайтесь снять корпус катушки, поворачивая корпус катушки **3**.
3. Снимите пластину шпинделя **16** перед установкой новой катушки. Удалите всю грязь и траву с катушки и ее корпуса.
4. Установите пластину шпинделя **16** на шпindel **15**, чтобы контргайка на шпинделе находилась на основании пластины шпинделя.
5. Совместите отверстие в пластине шпинделя и метку, вставьте отвертку обратно в отверстие и вверните новую катушку в направлении против часовой стрелки. Плотно затяните новую катушку на шпинделе **15**.

### Загрузка новой режущей лески (Рис. H, I)

**ВНИМАНИЕ:** Для снижения риска получения тяжелых травм **выключайте инструмент и извлекайте аккумуляторную батарею перед проведением любых действий по регулировке или установке/снятию дополнительных принадлежностей или насадок, замене лески или перед чисткой.** Случайный запуск инструмента может привести к травме.

**ПРЕДУПРЕЖДЕНИЕ:** Используйте только сменные катушки и леску DEWALT. replacement spools and line. Использование лески от каких-либо

других производителей может снизить рабочие характеристики, повредить газонокосилку или повлечь за собой травмы. Ваша газонокосилка использует спиральную леску диаметром 2,0 мм гладкими скрученными краями. Не используйте лески других размеров. Это может снизить эффективность, повредить инструмент или привести к травмам.

**ПРЕДУПРЕЖДЕНИЕ:** Если леска выступает за нож для обрезки лески, то во избежание повреждений инструмента обрежьте ее так, чтобы она только доходила до ножа.

Рекомендуем использовать сменную леску DEWALT DT20650, DT20651

1. Извлеките аккумуляторную батарею.
2. Отрежьте максимум 6 м режущей лески 2,0 мм.
3. Совместите отверстия в корпусе катушки **17** со стрелкой **18** на крышке катушки **14**, как показано на Рисунке H.
4. Проденьте один конец лески сквозь отверстие. Доведите леску до второго отверстия и протягивайте ее сквозь него до тех пор, пока длина лески с обеих сторон корпуса катушки не выровняется.
5. Удерживайте крышку катушки на месте одной рукой. Намотайте леску на катушку второй рукой, поворачивая крышку катушки против часовой стрелки. Продолжайте наматывать до тех пор, пока с каждой стороны корпуса катушки не останется по 130 мм лески, как показано на Рис. I.

### Замена защитного кожуха на расширенный защитный кожух (Рис. C, L)

При желании для дополнительной защиты имеется расширенный защитный кожух (продается отдельно). Используйте сменный защитный кожух DEWALT, № детали N905733.

**ВНИМАНИЕ:** Не используйте инструмент без надлежащим образом установленного защитного кожуха.

1. Снимите корпус катушки, как указано в разделе «Замена узла катушки».
2. Выверните два винта защитного кожуха **32**, как показано на Рис. L.
3. Поднимите защитный кожух под углом, как показано на Рис. L.
4. Чтобы установить новый защитный кожух, вдвиньте петлю **33** нового защитного кожуха под выступ **34** корпуса электродвигателя **5**, затем опустите заднюю часть защитного кожуха на место, как показано на Рис. L.
5. Установите на место и надежно затяните два винта защитного кожуха **32**.
6. Установите на место корпус катушки, как указано в разделе «Замена узла катушки».

## Крепление и регулировка наплечного ремня (Рис. D, E)



**ВНИМАНИЕ:** Наплечный ремень (19) должен быть накинута только на одно плечо, но не поперек тела. См. Рис. E.

Наплечный ремень рекомендуется для использования с инструментами, вес которых превышает 6 кг. (Общий вес, включая силовую головку, насадку и батарею.) Наплечный ремень можно приобрести за дополнительную плату в сервисном центре DEWALT, номер детали N502343.

Прикрепите наплечный ремень на инструмент, как показано на Рис. D и отрегулируйте для лучшего баланса и поддержки

1. Прикрепите крепление для ремня.
2. Защелкните защелку наплечного ремня **21** на креплении для ремня **20** как показано на Рис. D. Отрегулируйте ремень, чтобы он удобно сидел на плече и обеспечивал надлежащий баланс и поддержку.

## Защита окружающей среды



Отдельная утилизация. Изделия и аккумуляторные батареи с данным символом на маркировке запрещается утилизировать с обычными бытовыми отходами.

Изделия и аккумуляторные батареи содержат материалы, которые могут быть извлечены или переработаны, снижая потребность в исходном сырье. Пожалуйста, утилизируйте электрические изделия и аккумуляторные батареи в соответствии с местными нормами. Дополнительная информация доступна по адресу [www.2helpU.com](http://www.2helpU.com).

## Аккумуляторная батарея

Данную аккумуляторную батарею с длительным сроком эксплуатации необходимо перезаряжать, когда она перестает обеспечивать питание, необходимое для выполнения определенных работ. По окончании срока эксплуатации ее следует утилизировать, соблюдая при этом необходимые меры по защите окружающей среды:

- полностью разрядите батарею до конца и извлеките ее из инструмента.
- литий-ионные аккумуляторные батареи подлежат вторичной переработке. Сдайте их нашему дилеру или в местный центр вторичной переработки. В этих пунктах батареи будут подвергнуты повторной переработке или правильной утилизации.



## Приложение к руководству по эксплуатации электрооборудования для определения месяца производства по номеру текущей календарной недели года

Электрооборудование торговых марок "Dewalt", "Stanley", "Stanley FatMAX", "BLACK+DECKER".  
Директивы 2014/30/EU ЕВРОПЕЙСКОГО ПАРЛАМЕНТА И СОВЕТА от 26 февраля 2014 г. "О гармонизации законодательств Государств-членов ЕС в области электромагнитной совместимости", 2006/42/ЕС ЕВРОПЕЙСКОГО ПАРЛАМЕНТА И СОВЕТА от 17 мая 2006 г. "О машинах и оборудовании"; 2014/35/EU ЕВРОПЕЙСКОГО ПАРЛАМЕНТА И СОВЕТА от 26 февраля 2014 г. "О гармонизации законодательства государств-членов в области размещения на рынке электрооборудования, предназначенного для использования в определенных пределах напряжения". Серийный выпуск.

### ТОВАР СЕРТИФИЦИРОВАН

Орган по сертификации "РОСТЕСТ- Москва",  
Адрес: 119049, г. Москва, улица Житная, д. 14, стр. 1; 117418, Москва, Нахимовский просп., 31 (фактический),  
Телефон: (499) 1292311, (495) 6682893, Факс: (495) 6682893,  
E-mail: [office@roostest.ru](mailto:office@roostest.ru)  
Изготовитель: Изготовитель: Блэк энд Деккер Холдингс ГмБХ, Германия, 65510, Идштайн, ул. Блэк энд Деккер, 40, тел. +496126212790.

### Уполномоченное изготовителем юр.лицо:

ООО "Стэнли Блэк энд Деккер", 117485, город Москва, улица Обручева, дом 30/1, строение 2  
Телефон: + 7 (495) 258-3981, факс: + 7 (495) 258-3984,  
E-mail: [inbox@dewalt.com](mailto:inbox@dewalt.com)

Сведения о импортере указаны в сопроводительной документации и/или на упаковке

### Хранение.

Необходимо хранить в сухом месте, вдали от источников повышенных температур и воздействия солнечных лучей. При хранении необходимо избегать резкого перепада температур. Хранение без упаковки не допускается

### Срок службы.

Срок службы изделия составляет 5 лет. Не рекомендуется к эксплуатации по истечении 5 лет хранения с даты изготовления без предварительной проверки.

Дата изготовления (код даты) указана на корпусе инструмента/продукции.

Код даты, который также включает год изготовления, отштампован на поверхности корпуса изделия.

### Пример:

2014 46 XX, где 2014 –год изготовления, 46–неделя изготовления. Определить месяц изготовления по указанной неделе изготовления можно согласно приведенной ниже таблице.

### Транспортировка.

Категорически не допускается падение и любые механические воздействия на упаковку при транспортировке.

При разгрузке/погрузке не допускается использование любого вида техники, работающей по принципу зажима упаковки.

### Перечень критических отказов, возможные ошибочные действия персонала.

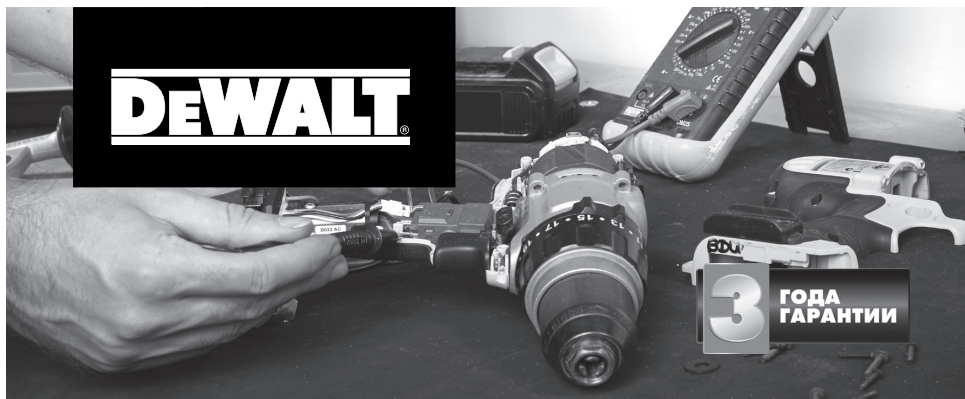
Не допускается эксплуатация изделия:

- При появлении дыма из корпуса изделия
- При поврежденном и/или оголенном сетевом кабеле
- При повреждении корпуса изделия, защитного кожуха, рукоятки
- При попадании жидкости в корпус
- При возникновении сильной вибрации
- При возникновении сильного искрения внутри корпуса

### Критерии предельных состояний.

- При поврежденном и/или оголенном сетевом кабеле
- При повреждении корпуса изделия

Месяц	Январь	Февраль	Март	Апрель	Май	Июнь	Июль	Август	Сентябрь	Октябрь	Ноябрь	Декабрь	Год производства
Неделя	1	5	9	14	18	23	27	31	36	40	44	49	2018
	2	6	10	15	19	24	28	32	37	41	45	50	
	3	7	11	16	20	25	29	33	38	42	46	51	
	4	8	12	17	21	26	30	34	39	43	47	52	
			13		22			35			48		
Неделя	1	6	10	14	18	23	27	31	36	40	45	49	2019
	2	7	11	15	19	24	28	32	37	41	46	50	
	3	8	12	16	20	25	29	33	38	42	47	51	
	4	9	13	17	21	26	30	34	39	43	48	52	
	5					22		35		44			
Неделя	1	6	10	14	19	23	27	32	36	40	45	49	2020
	2	7	11	15	20	24	28	33	37	41	46	50	
	3	8	12	16	21	25	29	34	38	42	47	51	
	4	9	13	17	22	26	30	35	39	43	48	52	
	5				18		31		44				
Неделя	2	6	10	14	19	23	27	32	36	41	45	49	2021
	3	7	11	15	20	24	28	33	37	42	46	50	
	4	8	12	16	21	25	29	34	38	43	47	51	
	5	9	13	17	22	26	30	35	39	44	48	52	
					18		31		40			1	
Неделя	2	6	10	15	19	23	28	32	36	41	45	49	2022
	3	7	11	16	20	24	29	33	37	42	46	50	
	4	8	12	17	21	25	30	34	38	43	47	51	
	5	9	13	18	22	26	31	35	39	44	48	52	
			14			27			40			1	



## ГАРАНТИЙНЫЕ УСЛОВИЯ

### Уважаемый покупатель!

1. Поздравляем Вас с покупкой высококачественного изделия DEWALT и выражаем признательность за Ваш выбор.
2. При покупке изделия требуйте проверки его комплектности и исправности в Вашем присутствии. В комплекте с инструментом должна быть инструкция по эксплуатации и гарантийные условия производителя на русском языке. Сохраняйте на весь срок гарантии Ваш документ, удостоверяющий факт покупки изделия. Убедитесь, что в чеке указаны: фискальный номер чека, модель/наименование изделия, дата продажи и название торговой организации.
3. Во избежание недоразумений убедительно просим Вас перед началом работы с изделием внимательно ознакомиться с инструкцией по его эксплуатации. Правовой основой настоящих гарантийных условий является действующее Законодательство. Гарантийный срок на данное изделие составляет 36 месяцев и исчисляется со дня продажи. В случае устранения недостатков изделия гарантийный срок продлевается на период его нахождения в ремонте. Срок службы изделия составляет 5 лет со дня продажи.
4. В случае возникновения каких-либо проблем в процессе эксплуатации изделия рекомендуем Вам обращаться только в уполномоченные сервисные центры DEWALT, адреса и телефоны которых Вы сможете найти на сайте [www.2theru.com](http://www.2theru.com) или узнать в магазине. Наши сервисные станции это не только квалифицированный ремонт, но и широкий ассортимент запчастей и принадлежностей.
5. Производитель рекомендует проводить периодическую проверку и техническое обслуживание изделия в уполномоченных сервисных центрах.
6. Наши гарантийные обязательства распространяются только на неисправности, выявленные в течение гарантийного срока и вызванные дефектами материалов или сборки изделия.
7. **Гарантийные условия не распространяются на неисправности изделия, возникшие в результате:**
  - 7.1. Несоблюдения пользователем предписаний инструкции по эксплуатации изделия, применения изделия не по назначению, неправильном хранении, использовании принадлежностей, расходных материалов и запчастей, не предусмотренных производителем.
  - 7.2. Механического повреждения (сколы, трещины и разрушения) внутренних и внешних деталей изделия, основных и вспомогательных рукояток, сетевого электрического кабеля, вызванного внешним ударным или любым иным воздействием.
  - 7.3. Попадания в вентиляционные отверстия и проникновение внутрь изделия посторонних предметов, материалов или веществ, не являющихся отходами, сопровождающими применение изделия по назначению, такими как: стружка, опилки, песок, и пр.
  - 7.4. Воздействия на изделие неблагоприятных атмосферных и иных внешних факторов, таких как дождь, снег, повышенная влажность, нагрев, агрессивные среды, несоответствие параметров питающей электросети, указанных на инструменте.
  - 7.5. Стихийного бедствия. Повреждение или утрата изделия, связанное с непредвиденными бедствиями, стихийными явлениями, в том числе вследствие действия непреодолимой силы (пожар, молния, потоп и другие природные явления), а также вследствие перепадов напряжения в электросети и другими причинами, которые находятся вне контроля производителя.



## ОБЯЗАТЕЛЬНО СОХРАНИЙТЕ КАССОВЫЙ ЧЕК

8. **Гарантийные условия не распространяются:**
  - 8.1. На инструменты, подвергавшиеся вскрытию, ремонту или модификации вне уполномоченного сервисного центра.
  - 8.2. На детали и узлы, имеющие следы естественного износа, такие как: приводные ремни и колеса, угольные щетки, смазка, подшипники, зубчатое зацепление редукторов, резиновые уплотнения, сальники, направляющие ролики, муфты сцепления, бойки, толкатели, стволы, и т.п.
  - 8.3. На сменные и расходные части: цанги, зажимные гайки и фланцы, фильтры, ножи, шлифовальные подошвы, цепи, звездочки, пыльные шины, защитные коврики, пилки, абразивы, пыльные и абразивные диски, фрезы, сверла, буры и т.п.
  - 8.4. На неисправности, возникшие в результате перегрузки инструмента (как механической, так и электрической), повлекшей выход из строя одновременно двух и более деталей и узлов, таких как ротора и статора, обеих обмоток статора, ведомой и ведущей шестерни редуктора или других узлов и деталей. К безусловным признакам перегрузки изделия относятся, помимо прочих: появление цветов побежалости, деформация или оплавление детали и узлов изделия, потемнение или обугливание изоляции проводов электродвигателя под воздействием высокой температуры.



Горячая линия

**8-800-1000-876**

Актуальную информацию об обслуживании  
в интересующем вас городе вы можете узнать на сайте

**[service.dewalt.ru](http://service.dewalt.ru)**

- Список авторизованных сервисных центров
- Поиск ближайшего сервисного центра
- Руководство по эксплуатации
- Технические характеристики
- Список деталей и запасных частей
- Схема сборки инструмента

# ГАРАНТИЙНОЕ ОБСЛУЖИВАНИЕ

С БЕСПЛАТНОЙ ДОСТАВКОЙ

Теперь вы можете сдать инструмент в сервис, даже если его нет в вашем городе.

Скачать/распечатать инструкцию с сайта

[service.dewalt.ru](http://service.dewalt.ru)



Отметки о проведении сервисного обслуживания

№1	№2	№3	№4
№ заказа	№ заказа	№ заказа	№ заказа
Дата поступления	Дата поступления	Дата поступления	Дата поступления
Дата ремонта	Дата ремонта	Дата ремонта	Дата ремонта
Печать и подпись сервисного центра	Печать и подпись сервисного центра	Печать и подпись сервисного центра	Печать и подпись сервисного центра



## ПОДАРОК ЗА ОТЗЫВ\*

- 1 Зарегистрируйся на [my.dewalt.ru](http://my.dewalt.ru)
- 2 Напиши отзыв о покупке
- 3 Получи подарок\*\*



\*Акция проводится на территории Российской Федерации. Подробные условия акции указаны на [my.dewalt.ru](http://my.dewalt.ru)

\*\* Подарок может отличаться от изображенного, актуальный перечень см. на [my.dewalt.ru](http://my.dewalt.ru)

# ТРИМЕР DCMASST1

## Вітаємо вас!

Ви обрали інструмент виробництва компанії DEWALT. Ретельна розробка продукції, багаторічний досвід фірми у виробництві інструментів, різні вдосконалення, все це зробило інструменти DEWALT є одними із найнадійніших помічників для тих, хто використовує електричні інструменти у своїй професії.

## Технічні дані

DCMASST1		
Напруга	В пост. струму	54
Помірна швидкість	об/хв	4400
Висока швидкість	об/хв	5400
Розмір смуги скосу	мм	380
Маса	кг	2,1

Значення рівня шуму та вібрації (триаксильна векторна сума) відповідно до стандарту EN50636-2-91

$L_{PA}$ (рівень тиску звукового випромінювання)	дБ(A)	82
K (похибка рівня звукового тиску)	дБ(A)	2,5
$L_{WA}$ (рівень звукової потужності)	дБ(A)	92
K (похибка для даного рівня звукового тиску)	дБ(A)	2,1
Значення вібрації $a_{H1}$ =	м/с <sup>2</sup>	2,5
Похибка K =	м/с <sup>2</sup>	1,5

Значення вібрації та/або шуму, наведене в цьому документі, було виміряне згідно зі стандартизованим тестом, викладеним в EN50636-2-100 та може використовуватись для порівняння інструментів. Це значення вібрації можна також використовувати для попередньої оцінки впливу вібрації.



**ПОПЕРЕДЖЕННЯ:** Заявлене значення вібрації та/або шуму відповідає вимогам цільового використання інструмента. Однак якщо інструмент використовується для виконання інших завдань, або з іншими витратними матеріалами/насадками, або не обслуговується належним чином, значення вібрації та/або шуму може відхилитися. Це може значно збільшити рівень впливу протягом усього періоду роботи.

Оцінка рівня впливу вібрації та/або шуму має враховувати час, протягом якого інструмент є ввімкненим, а також час, протягом якого він є ввімкненим, але не використовується. Це може значно зменшити рівень впливу протягом усього періоду роботи.

Визначення додаткових заходів безпеки для захисту оператора від впливу вібрації та/або шуму: технічне обслуговування інструмента та приладдя, утримання рук у теплі (має значення для вібрації), організація режиму роботи.

## Декларація про відповідність ЄС Директива для механічного обладнання



### Тример DCMASST1

DEWALT заявляє, що ці продукти, описані в розділі **Технічні дані**, відповідають наступним вимогам: 2006/42/EC, EN60335-1:2012 + A11:2014 + A13:2017 + A1:2019 + A14:2019 + A2:2019, EN50636-2-91:2014

2000/14/EC, тример для газонів, L ≤ 50 см, Додаток VI DEKRA Certification B.V.

Meander 1051 / P.O. box 5185

6525 MJ ARNHEM / 6802 ED

ARNHEM, Нідерланди

Ідентифікаційний № уповноваженого органу: 0344

Рівень акустичної потужності відповідно до 2000/14/EC (Стаття 12, Додаток III, L ≤ 50 см):

$L_{PA}$  (вимірювання звуковий тиск) 82 дБ(A)  
похибка (K) = 2,5 дБ (A)

$L_{WA}$  (гарантована акустична потужність) 96 дБ(A)

Ці продукти також відповідають вимогам Директив 2014/30/EU та 2011/65/EU. Для отримання додаткової інформації, будь ласка, звертайтеся до компанії DEWALT за зазначеною нижче адресою або на зворотному боці цього посібника.

Нижчепідписаний несе відповідальність за упорядкування файлу технічних характеристик та робить цю заяву від імені компанії DEWALT.

Маркус Ромпель

Віце-президент з інженерно-технічного забезпечення, PTE-Europe

DEWALT, Richard-Klinger-Straße 11,

65510, Idstein, Німеччина

31.12.2020



**ПОПЕРЕДЖЕННЯ:** Уважно прочитайте керівництво з експлуатації для зниження ризику отримання травм.

## Позначення: інструкції з техніки безпеки

Умовні позначення, наведені нижче, описують рівень важливості кожної попереджувальної вказівки. Прочитайте

керівництво з експлуатації та зверніть увагу на символи, наведені нижче.



**НЕБЕЗПЕЧНО:** Указує на безпосередню загрозу, яка, якщо її не уникнути, призведе до смерті або серйозної травми.



**ПОПЕРЕДЖЕННЯ:** Вказує на потенційну загрозу, ігнорування якої може призвести до смерті або серйозної травми.



**УВАГА:** Вказує на потенційну загрозу, ігнорування якої може призвести до травми легкої або середньої тяжкості.

**ПРИМІТКА:** Вказує на ситуацію, не пов'язану з особою травмою, ігнорування цієї ситуації може призвести до пошкодження майна.



Вказує на ризик ураження електричним струмом.



Вказує на ризик виникнення пожежі.

## ІНСТРУКЦІЇ З ТЕХНІКИ БЕЗПЕКИ



**УВАГА!** При використанні пристроїв з живленням від електричної мережі необхідно дотримуватись основних заходів безпеки, включаючи наступні, щоб знизити ризик виникнення пожежі, ураження електричним струмом, травм та матеріальних ушкоджень.



**УВАГА!** При використанні пристрою необхідно дотримуватись правил техніки безпеки. Перед використанням пристрою уважно прочитайте цей посібник для забезпечення власної безпеки та безпеки сторонніх людей. Будь ласка, зберігайте інструкції в безпечному місці для використання в майбутньому.

- Перед роботою з пристроєм уважно прочитайте це керівництво.
- У цьому керівництві описано використання за призначенням. Використання будь-яких аксесуарів чи додаткових інструментів або виконання операцій з пристроєм, які не описано у цьому посібнику, може призвести до особистих травм.
- Зберігайте це керівництво для отримання інформації в подальшому.

### ВАЖЛИВО!

### УВАЖНО ПРОЧИТАЙТЕ ПЕРЕД ВИКОРИСТАННЯМ

### ЗБЕРІГАЙТЕ ДЛЯ ОТРИМАННЯ ІНФОРМАЦІЇ В ПОДАЛЬШОМУ

## ПРАВИЛА БЕЗПЕЧНОЇ ЕКСПЛУАТАЦІЇ

### Навчання

- а) **Уважно прочитайте інструкції.** Ознайомтесь в правилах управління та відповідного використання пристрою.
- б) **У жодному разі не дозволяйте дітям та особам, які не знають усіх інструкцій, використовувати**

**цей пристрій.** За місцевим законодавством може обмежуватись вік оператора пристрою.

- а) **Пам'ятайте, що оператор або користувач відповідає за нещасні випадки та небезпеку щодо інших людей або їхнього майна.**

## Підготовка до роботи

- а) **Перед використанням завжди візуально оглядайте пристрій на наявність пошкоджень, відсутність або невірну установку запобіжників та захисних пристроїв.**
- б) **Не використовуйте пристрій, коли інші особи, особливо діти або домашні тварини знаходяться поруч.**

## Експлуатація

- а) При роботі з інструментом завжди використовуйте засоби захисту очей та міцні черевики.
- б) Уникайте використання пристрою у погану погоду, особливо коли є ризик блискавки.
- в) Використовуйте цей пристрій лише вдень або за умови хорошого штучного освітлення.
- г) Ніколи не використовуйте інструмент із пошкодженими запобіжниками чи захисними пристроями або без них.
- е) Вмикайте двигун, коли руки та ноги знаходяться на відстані від ріжучих деталей.
- ф) Завжди відключайте пристрій від мереж живлення (тобто витягайте вилку з розетки, витягайте пристрій тимчасового відключення або акумулятор):
  - коли пристрій залишається без нагляду;
  - перед очищенням від трави та гілок;
  - перед перевіркою, очищенням або роботою з пристроєм;
  - після зіткнення із стороннім предметом;
  - коли пристрій починає занадто сильно вібрувати.
- г) Будьте обережні, щоб не завдати шкоди ріжучими деталями ногам та рукам.
- г) Стежте за тим, щоб вентиляційні отвори були чистими.
- і) Заберіть предмети, які можуть спричинити віддачу, наприклад гілки та каміння.
- і) Перевірте наявність вільних кріпильних елементів та пошкоджених деталей.
- к) Тримайте інструмент тільки за призначені для цього поверхні захвату: **корпус силової голівки і допоміжну ручку (див. рис. D).** Не використовуйте штангу як поверхню захвату.

## Технічне обслуговування та зберігання

- а) Відключайте пристрій від мереж живлення (тобто витягайте вилку з розетки, витягайте пристрій



- тимчасового відключення або акумулятор) перед технічним обслуговуванням та очищенням.
- b) Використовуйте лише ті замінні деталі та аксесуарі, які рекомендовані виробником.
- c) **Регулярно перевіряйте пристрій та виконуйте технічне обслуговування.** Надавайте пристрій для ремонту лише в авторизований сервісний центр.
- d) Коли пристрій не використовується, зберігайте його у недоступних для дітей місцях.
- e) Перед зберіганням проводьте очищення, в тому числі захисних кожухів.

## ДОДАТКОВІ ІНСТРУКЦІЇ З ТЕХНІКИ БЕЗПЕКИ ДЛЯ ТРИМЕРІВ



**УВАГА!** Ріжучі елементи продовжують обертатися після вимкнення двигуна.

- Вдягайте довгі штани, щоб захистити ноги.
- Перед використанням пристрою перевірте, що лінія вашого розрізу вільна від прутів, каміння, проводки та інших перешкод.
- Використовуйте цей пристрій лише у вертикальному положенні так, щоб ріжуча волосінь була недалеко від землі. Ніколи не вмикайте інструмент в іншому положенні.
- Під час використання пристрою рухайтесь повільно. Пам'ятайте, що скошена трава волога та слизька.
- Не працюйте, стоячи на нахилених поверхнях. Рухайтесь по схилу поперек, а не вгору або вниз.
- Ніколи не переходьте зрівняні доріжки та дороги з увімкненим пристроєм.
- Ніколи не торкайтесь ріжучої волосіні, коли інструмент увімкнений.
- Ніколи не кладіть інструмент, доки ріжучий елемент повністю не зупиниться.
- Використовуйте лише відповідний тип ріжучої волосіні. Забороняється використовувати металеву та рибачку волосінь.
- Тримайте руки та ноги подалі від ріжучої волосіні та леза, особливо при ввімкненні інструменту.
- Перед використанням пристрою та після будь-якої роботи з ним перевіряйте пристрій на ознаки зносу або пошкодження та виконуйте ремонт за необхідності.
- Будьте обережні, щоб не пошкодитись якимось пристроєм, встановленим для підрізання довжини ріжучої волосіні. Після витягування нової ріжучої волосіні завжди повертайте пристрій у нормальне робоче положення перед увімкненням його.
- Необхідний ретельний нагляд, коли пристрій використовується біля дітей.
- Цей пристрій не призначений для використання молодими та хворими людьми без нагляду.
- Цей інструмент не можна використовувати в якості іграшки.

- Використовуйте лише у сухому місці. Не дозволяйте, щоб пристрій був вологим.
- Не занурюйте пристрій у воду.
- Не відкривайте корпус. В середині відсутні деталі, які користувач може обслуговувати самостійно
- Не використовуйте цей пристрій у вибухонебезпечних умовах, наприклад, в присутності легкозаймистих рідин, газів або пилу.
- Якщо пристрій зберігається або транспортується в автомобілі, його необхідно помістити в багажник або зафіксувати, щоб уникнути рухів через раптові зміни швидкості або напрямку.
- Коли пристрій не використовується, його необхідно зберігати у сухому, добре провітрюваному та недоступному для дітей місці.
- Дітям забороняється мати доступ до пристрою в місці зберігання.

## Безпека сторонніх людей

- Цей пристрій не призначений для використання особами (включаючи дітей) із зниженими фізичними, сенсорними або розумовими можливостями або особами, яким бракує досвіду або знань за винятком випадків, коли такі особи працюють під наглядом або отримали інструкції щодо використання пристрою від особи, яка несе відповідальність за їх безпеку.
- Діти повинні знаходитись під контролем, щоб гарантувати, що вони не будуть грати з пристроєм.

## Залишкові ризики

Переконайтесь, що ви надійно стоїте на схилах, не втрачайте рівноваги. Весь час тримайте рівновагу. За всіх обставин спокійно йдіть, не біжіть.

Під час використання інструмента можуть виникнути додаткові залишкові ризики, які не внесені до попереджень щодо техніки безпеки в цьому посібнику. Ці ризики можуть виникнути як результат неправильного використання, тривалого використання, тощо.

Незважаючи на виконання всіх відповідних правил техніки безпеки та використання захисних пристроїв, неможливо уникнути деяких залишкових ризиків. Сюди належать:

- Травми через контакт з деталями, що рухаються/обертаються.
- Травми при заміні деталей, пильних полотен або аксесуарів.
- Травми через занадто тривале використання інструменту. При використанні будь-якого інструменту протягом тривалого періоду часу не забувайте робити регулярні перерви.
- Порушення слуху.
- Небезпека для здоров'я через вдихання пилу, що утворюється при використанні інструменту (наприклад, при роботі з деревом, особливо з дубом, березою та ДВП).
- Ризик опіків через нагрівання приладдя під час роботи.

## ЗБЕРІГАЙТЕ ЦІ ІНСТРУКЦІЇ

## Комплект поставки

До комплекту входить:

- 1 Триммер
  - 1 Захисний кожух
  - 2 Гвинти захисного кожуху
  - 2 Шайби
  - 1 Керівництво з експлуатації
- *Перевірте інструмент, деталі та приладдя на пошкодження, що могли виникнути під час транспортування.*
  - *Перед використанням уважно прочитайте та повністю зрозумійте це керівництво.*

## Маркування на інструменті

На інструменті є наступні піктограми:



Прочитайте інструкції цього керівництва перед використанням.



Використовуйте засоби захисту очей.



Використовуйте засоби захисту слуху.



Зона, заборонена для рук



Гаряча поверхня. Не торкайтеся його.



Не піддавайте інструмент впливу дощу та високої вологості, а також не залишайте його на вулиці під дощем.



Вимкніть інструмент. Перед виконанням будь-якого обслуговування необхідно витягнути батарею з інструменту.



Сторонні люди повинні знаходитись подалі від інструменту.



В Директиві 2000/14/ЕС вказана гарантована звукова потужність.

## Розташування коду дати (Рис. В)

Код дати **13**, що включає також рік виробництва, зазначений на корпусі.

Приклад:

2020 XX XX

Рік виробництва

## Опис (рис. А)



**УВАГА!** Забороняється модифікувати інструмент. Це може призвести до пошкодження майна або тілесних ушкоджень.

1 Штанга тримера

2 Захисний кожух

3 Корпус катушки

## Сфера застосування

Кріплення тримера призначене для використання з вашою DCMA55713N силовою голівкою. Ваш триммер розроблений для професійного підрізання.

**НЕ** використовуйте за умов підвищеної вологості або в присутності легкозаймистих рідин та газів.

**НЕ** дозволяйте дітям підходити на небезпечну відстань та торкатися інструмента. Використання інструмента недосвідченими операторами потребує нагляду.

- **Діти та хворі люди.** Цей пристрій не призначений для експлуатації дітьми та особами з обмеженими розумовими та фізичними можливостями без стороннього контролю.
- Цей пристрій не призначений для використання особами (включаючи дітей) із зниженими фізичними, сенсорними або розумовими можливостями або особами, яким бракує досвіду або знань за винятком випадків, коли такі особи працюють під наглядом особи, яка несе відповідальність за їх безпеку. Не можна залишати дітей наодинці з цим приладом.

## МОНТАЖ ТА НАЛАШТУВАННЯ



**УВАГА!** Для зниження ризику отримання серйозної травми вимкніть інструмент та від'єднайте акумулятор перед виконанням будь-яких регулювань або демонтажу/встановлення приладдя або насадок. Випадковий запуск може призвести до тілесних ушкоджень.



**УВАГА!** Використовуйте лише DeWALT акумуляторні батареї та зарядні пристрої компанії

## Силова голівка (рис. В)

(DCMA55713N продається окремо)



**УВАГА!** Щоб зменшити ризик отримання травми:

- Перед використанням даного пристрою переконатесь, що його користувач прочитав і зрозумів всі інструкції з техніки безпеки виробника, а також іншу інформацію, що міститься у цьому посібнику.
- Забороняється подавати живлення без належного кріплення до силової голівки.



**УВАГА!** Для зниження ризику отримання серйозної травми вимкніть інструмент та зніміть акумулятор перед виконанням будь-яких регулювань або демонтажу/встановлення приладдя або насадок або перед очищенням. Випадковий запуск може спричинити травми.

Ваш триммер сконструйований таким чином, що силова голівка може відділитися від кріплення тримера шляхом повороту ручки **5** проти годинникової стрілки і їх обережного розтягування в сторони за штанги **1**, **6**.

Це слід робити тільки при вимкненому живленні і витягнутому акумуляторі. Всередині верхньої штанги силової голівки **6** знаходиться механічна муфта, яка обертається при включенні силової голівки. Дотик до цієї муфти під час роботи силової голівки може привести до важких травм.

**ПРИМІТКА.** Якщо маса інструменту і акумуляторної батареї перевищує 7,5 кг, потрібен подвійний плечовий ремінь.

## Встановлення кріплення тримера на силову голівку (рис. А, В)

1. При установці кріплення тримера **1** на верхню штангу силової голівки **6** вирівняйте кнопку фіксації **7** з отвором **8**, як показано на Рис. В.
2. Поверніть ручку **5** за годинниковою стрілкою, щоб зафіксувати кріплення на верхній штанзі силової голівки. При правильній установці вона має виглядати як на рис. В. Якщо цього не сталося, не використовуйте, не розбирайте та не вирівнюйте кріплення штангового висоторізу **1**, щоб кнопка фіксації **7** зафіксувала отвір **8**.

**УВАГА!** Завжди перевіряйте, щоб ручки були повністю закріплені на місці. Якщо ручки не будуть повністю закріплені, це може привести до від'єднання вузлів, що може привести до виникнення небезпечної ситуації.

## Установка захисного кожуха (рис. С)

1. Зсуньте захисний кожух **2** на місце, як показано на рис. С.
2. Надійно затягніть кожух гвинтами та шайбами **10**.

## РЕЖИМ РОБОТИ

### Інструкції з використання

- УВАГА!** **ПОПЕРЕДЖЕННЯ:** Завжди дотримуйтесь усіх інструкцій з техніки безпеки та відповідних норм.
- УВАГА!** **ПОПЕРЕДЖЕННЯ:** Щоб знизити ризик серйозних тілесних ушкоджень, вимкніть інструмент та відключіть акумулятор перед виконанням будь-яких налаштувань або зніманням/встановленням додаткового обладнання або приладдя. Випадковий запуск може призвести до травм.

### Належне положення рук (Рис. А, К)

- УВАГА!** **ПОПЕРЕДЖЕННЯ:** Щоб знизити ризик серйозних травм, **ЗАВЖДИ** правильно розташуйте руки, як показано.
- УВАГА!** **ПОПЕРЕДЖЕННЯ:** Щоб знизити ризик серйозних травм, **ЗАВЖДИ** надійно тримайте інструмент, щоб попередити випадкову віддачу.
- УВАГА!** Тримайте інструмент тільки за призначені для цього поверхні захвату: Ручка силової голівки і допоміжна ручка.
- УВАГА!** Не використовуйте штангу як поверхню захвату.

При правильному положенні рук необхідно одну руку тримати на ручці силової голівки **22**, а іншу – на допоміжній ручці **23**.

## Підрізання (рис. D–F)

Увімкніть тример, нахиліть його та рухайте зі сторони в сторону, як показано на рис. D, E.

Зберігайте мінімальну відстань 610 мм між захисним кожухом та вашими ногами, як показано на рис. F.

**УВАГА!** Утримуйте ріжучу волосін, що рухається, майже паралельно до землі (пристрій нахиліть не більше ніж на 30°). Цей тример не призначений для підрізання кромки газону. НЕ НАХИЛЯЙТЕ тример, щоб ріжуча волосін оберталася майже під прямим кутом до землі. Сміття, що розлітається, може спричинити серйозні травми.

## Ударна подача ріжучої волосіні тримера

У тримері використовується нейлонова волосін діаметром 2,0 мм. Ріжуча волосін зноситься швидше та буде вимагати частішої заміни, якщо скошувати траву біля тротуару або іншої абразивної поверхні, або якщо скошувати твердішу траву.

При використанні тримера волосін буде ставати коротшою через знос. Злегка вдарте тримером по землі під час роботи зі звичайною швидкістю, після чого волосін буде подана.

**ПРИМІТКА.** Подача більше 380 мм нейлонової волосіні може негативно вплинути на продуктивність, час роботи та термін придатності тримера через потенційний негативний вплив на двигун. Це може анулювати гарантію.

## Рекомендації з підрізання газону

- Використовуйте кінчик волосіні для підрізання; не вставляйте всю голівку з волосінню у непідрізану траву.
- Дротяні огорожі та паркани можуть спричинити надмірний знос леси, навіть її розрив. Кам'яні та цегляні стіни, бордюри та дерево можуть спричинити швидший знос волосіні.
- Не тягніть кришку катушки по землі та іншим поверхням.
- При зрізанні високої трави починайте зрізати зверху не більше 380 мм за один прохід.
- Утримуйте тример нахиленим до ділянки, яка підрізується; це найкраще місце для підрізання.
- Тример зрізує траву від його переміщенні зліва направо. Це дозволить уникнути потрапляння сміття в оператора.
- Уникайте дерев та кущів. Волосінню можна легко пошкодити кору дерев, дерев'яні огорожі, облицювальні матеріали та забори.

## ТЕХНІЧНЕ ОБСЛУГОВУВАННЯ

Ваш електричний інструмент призначений для роботи протягом довгого часу з мінімальним обслуговуванням. Довга задовільна робота приладу залежить від належного обслуговування приладу та регулярного його очищення.

**УВАГА!** **ПОПЕРЕДЖЕННЯ:** Щоб знизити ризик серйозних тілесних ушкоджень, вимкніть інструмент

**та відключіть акумулятор перед виконанням будь-яких налаштувань або зніманням/встановленням додаткового обладнання або приладдя. Випадковий запуск може призвести до травм.**

Зарядний пристрій та акумулятор не підлягають обслуговуванню.

## Технічне обслуговування (рис. Н)

- Волосінь тримера може засохнути з часом. Щоб підтримувати волосінь у гарному стані, зберігайте заміну волосінь у пластиковому закритому мішечку та налийте туди столову ложку води.
- Пластикові деталі можна очищувати м'яким мильним розчином та вологою ганчіркою.
- Підрізний ніж волосіні **11** на краю захисного кожуху може притупитися з часом. Рекомендується періодично заточувати його напилком.



## Змащування

Ваш електричний інструмент не вимагає додаткового змащування.



## Очищення



**ПОПЕРЕДЖЕННЯ:** Коли пил та бруд стають помітними та починають накопичуватися біля вентиляційних отворів, видавайте бруд та пил зсередини основного корпусу за допомогою сухого повітря. Використовуйте рекомендовані засоби захисту органів зору та рекомендовану протипилову маску при виконанні цієї операції.



**ПОПЕРЕДЖЕННЯ:** Ніколи не використовуйте розчинники та інші агресивні хімічні засоби для очищення неметалевих деталей інструмента. Такі хімічні речовини можуть нанести шкоду матеріалам, що використовуються в цих деталях. Використовуйте вологу ганчірку, змочену лише водою з м'яким милом. Не дозволяйте рідині потрапляти всередину інструмента та ніколи не занурюйте деталі інструмента в рідину.

## Додаткові аксесуари



**ПОПЕРЕДЖЕННЯ:** Оскільки інше приладдя, що не зазначене виробником DEWALT, не перевірялося з цим пристроєм, його використання з інструментом може бути небезпечним. Необхідно використовувати лише рекомендовані DEWALT приладдя з цим пристроєм, щоб знизити ризик отримання травми.

Зверніться до свого дилера для отримання подальшої інформації щодо відповідного приладдя.



**УВАГА!** Щоб знизити ризик серйозних травм, вимкніть пристрій та відключіть акумулятор перед виконанням будь-яких налаштувань або зніманням/встановленням насадок або аксесуарів.



**УВАГА!** Використання будь-яких насадок, не рекомендованих DEWALT для використання з цим пристроєм, є небезпечним.



**УВАГА!** Не використовуйте з цим тримером леза, аксесуари та насадки, не рекомендовані компанією. Це може призвести до серйозної травми або пошкодження продукту.



**ОБЕРЕЖНО!** Використовуйте тільки змінні катушки і волосінь DEWALT. Всі волосіні повинні бути спіральною формою з гладкими, круглими краями. Використання волосіні будь-якого іншого виробника може знизити продуктивність, пошкодити тример або привести до травм.

У вашому тримері використовується волосінь діаметром 0,080 дюйма (2,0 мм), однак може бути використана волосінь діаметром 0,095 дюйма (2,4 мм). Волосіні інших розмірів можуть погіршити продуктивність або пошкодити тример. Волосіні інших розмірів можуть погіршити продуктивність або пошкодити тример.

## Заміна катушки в зборі (рис. G)

1. Повертайте корпус катушки **3** до вирівнювання отвору **12** в шпindelній пластині з виімкою **13** в корпусі двигуна. Вставте викрутку через виімку в отвір, щоб запобігти обертанню шпінделя.
2. Відкрутіть і зніміть корпус катушки, повернувши кришку ручки катушки **14** за годинниковою стрілкою.  
**ПРИМІТКА.** Не намагайтеся зняти корпус катушки, повертаючи його **3**.
3. Перед установкою нової катушки зніміть шпindelну пластину **16**. Видаліть бруд і траву з корпусу двигуна і шпindelної пластини.
4. Встановіть шпindelну пластину **16** на шпindel **15**, щоб подвійна D-образна стопорна гайка на шпindelі знаходилась всередині основи шпindelної пластини.
5. Зіставте отвір в шпindelній пластині і виімку, вставте викрутку назад в отвір і затягніть новий корпус катушки проти годинникової стрілки. Надійно затягніть новий корпус катушки на шпindelі **15**.

## Заміна ріжучої волосіні (рис. H, I)



**УВАГА!** Для зниження ризику отримання серйозної травми вимкніть інструмент та зніміть акумулятор перед виконанням будь-яких регулювань або демонтажу/встановлення приладдя або насадок, при заміні волосіні або перед очищенням. Випадковий запуск може спричинити травми.



**УВАГА!** Використовуйте тільки катушки та волосінь DEWALT. Використання волосіні будь-якого іншого виробника може знизити продуктивність,

пошкодити тример або привести до травм. У вашому тримері використовується волосінь діаметром 0,08" (2,0 мм) спіральної форми з гладкими круглими краями. Не використовуйте волосінь інших розмірів. Це може погіршити експлуатаційні характеристики, привести до порушень нормальної роботи або травм.



**ОБЕРЕЖНО!** Щоб уникнути пошкодження пристрою, якщо ріжуча волосінь виступає за лезо, обріжте її так, щоб вона тільки доходила до нього.

Використовуйте лише запасну волосінь DEWALT.

1. Витягніть акумулятор.
2. Відріжте максимум 20' (6 м) волосіні тримера 0,08" (2,0 мм).
3. Зіставте вушка корпусу котушки **17** зі стрілкою **18** на кришці котушки **14**, як показано на рис. Н.
4. Простягніть один кінець волосіні тримера через вушко. Проведіть волосінь через друге вушко і продовжуйте її протягувати до появи струни однакової довжини з кожного боку корпусу котушки.
5. Однією рукою закріпіть кришку котушки від руху. Другою рукою намотайте струну на котушку, обертаючи кришку котушки проти годинникової стрілки. Продовжуйте намотувати до тих пір, поки з кожного боку корпусу котушки не залишиться по 5" (130 мм) струни, як показано на рис. І.

## Заміна кожуха зі збільшеним покриттям (рис. С, L)

При бажанні можна придбати розширений захисний кожух (продається окремо) для додаткового покриття. Використовуйте змінні кожухи DEWALT № N905733.



**УВАГА!** У жодному разі не використовуйте пристрій без захисного кожуха.

1. Зніміть корпус котушки, як описано в розділі **Заміна котушки в зборі**.
2. Зніміть два гвинта захисного кожуху **32**, як показано на рис. L.
3. Підніміть захисний кожух під кутом, як показано на рис. L.
4. Щоб встановити новий захисний кожух, вставте виступ **33** нового захисного кожуха під кромку **34** корпусу двигуна **5**, потім опустіть задню частину захисного кожуху на місце, як показано на рис. L.
5. Встановіть та надійно затягніть два гвинти захисного кожуха **32**.
6. Замініть корпус котушки, як описано в розділі **Заміна котушки в зборі**.

## Прикріплення та регулювання плечевого ремня (Рис. D, E)



**УВАГА!** Ремінь (19) слід перекидати тільки через одне плече, а не через тіло. Див. рис. E.

Плечовий ремінь рекомендується для будь-якого інструменту з загальною вагою понад 13 фунтів (6 кг).

(Загальна вага включає в себе силову головку, кріплення і акумулятор). Плечовий ремінь можна придбати за додаткову плату в компанії DEWALT, № N502343. Прикріпіть ремінь до інструменту, як показано на рис. D та відрегулюйте для правильного балансування і підтримки.

1. Прикріпіть кріплення ремня.
2. Застебніть засувку плечевого ремня **21** на кріпленні ремня **20** як показано на рис. D. Налаштуйте ремінь таким чином, щоб він прилягав до плеча і забезпечував правильний баланс і підтримку.

## Захист навколишнього середовища



Роздільний збір. Пристрої і акумулятори позначені цим символом, не можна викидати зі звичайним побутовим сміттям.

Пристрої і акумулятори містять матеріали, які можна відновити та переробити, що зменшить потребу у сировині. Утилізуйте електротехнічну продукцію і акумулятори відповідно до місцевих положень. Більш детальну інформацію можна отримати на сайті [www.2helpU.com](http://www.2helpU.com).

## Придатність акумулятора для перезарядки

Дана модель акумулятора підлягає перезарядці у випадку зниження його потужності при виконанні завдань, що попередньо не вимагали особливих зусиль. Наприкінці терміну служби акумулятора утилізуйте його у спосіб, безпечний для навколишнього середовища.

- Повністю розрядіть акумулятор, потім витягніть його з інструменту.
- Літій-іонні акумулятори можна повторно переробляти. Відправте їх до свого дилера або на місцеву переробну станцію. Там зібрані акумулятори будуть перероблені або знищені належним чином.



Виробник:  
"Stanley Black & Decker Deutschland GmbH" Black-&-Decker Str.40, D-65510 Idstein, Німеччина

