

**DEWALT®**

**[www.DEWALT.com](http://www.DEWALT.com)**

**DWH205DH**

## ENGLISH

---

English (*original instructions*) 3

---

Русский (*перевод с оригинала инструкции*) 8

---

Українська (*переклад з оригінальної інструкції*) 14

---

Fig. A

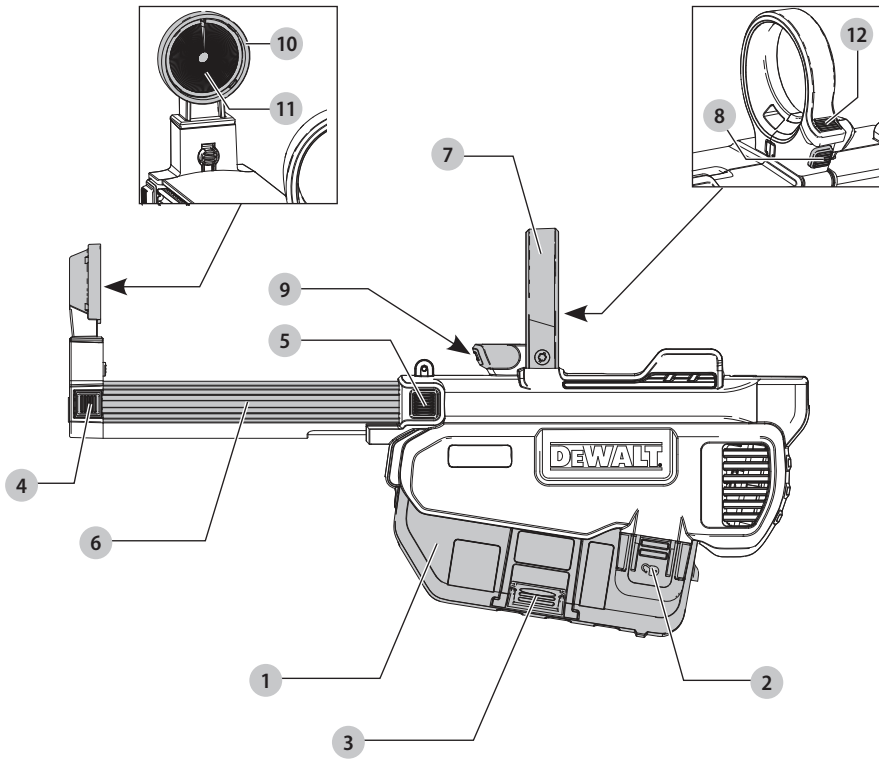


Fig. B

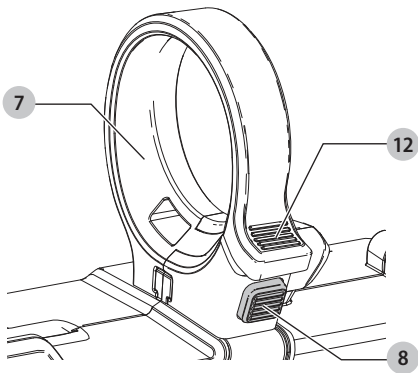


Fig. C

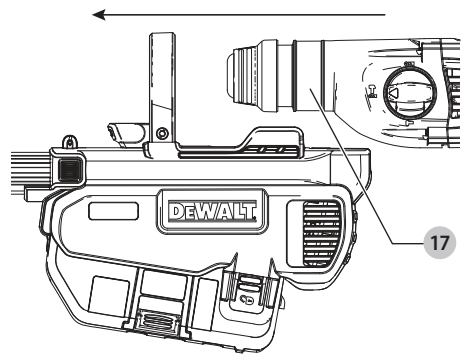


Fig. D

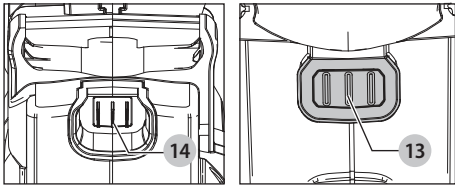


Fig. E

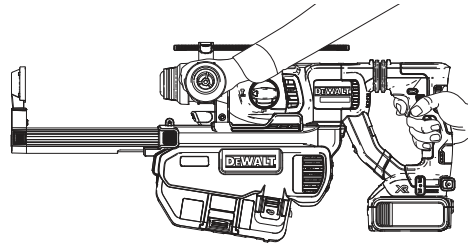


Fig. F

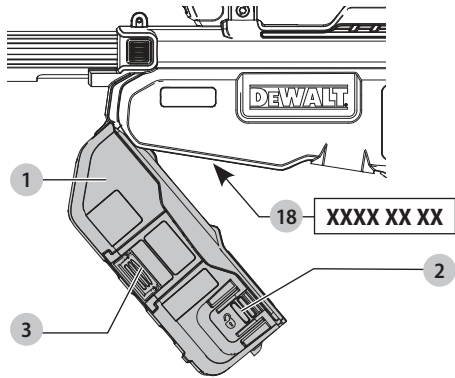


Fig. G

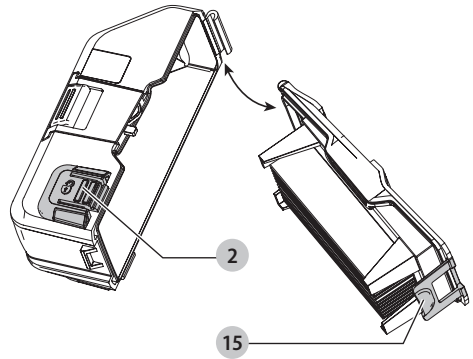
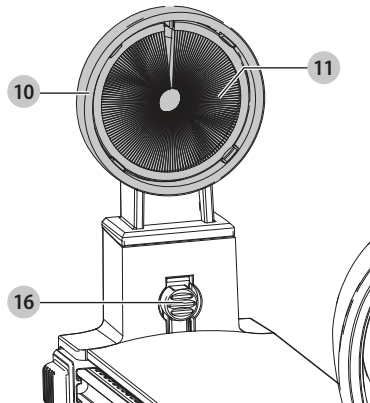


Fig. H



# DUST EXTRACTION SYSTEM

## DWH205DH

### Congratulations!

You have chosen a DeWALT tool. Years of experience, thorough product development and innovation make DeWALT one of the most reliable partners for professional power tool users.

### Technical Data

|                                    |                 | DWH205DH    |
|------------------------------------|-----------------|-------------|
| Voltage                            | V <sub>DC</sub> | 18          |
| Type                               |                 | 1           |
| Contact pressure                   | N               | 80          |
| Small head                         |                 |             |
| Maximum drill bit diameter         | mm              | 12          |
| Maximum drill bit length (overall) | mm              | 180         |
| Maximum drilling depth             | mm              | 180         |
| Standard head                      |                 |             |
| Maximum drill bit diameter         | mm              | 26          |
| Maximum drill bit length (overall) | mm              | 180         |
| Maximum drilling depth             | mm              | 180         |
| Large head                         |                 |             |
| Maximum drill bit diameter         | mm              | 38          |
| Maximum drill bit length (overall) | mm              | 180         |
| Maximum drilling depth             | mm              | 180         |
| Tool compatibility                 |                 | DCH263 only |
| Weight                             | kg              | 1.5         |

### EC-Declaration of Conformity

#### Machinery Directive



#### Dust Extraction System DWH205DH

DeWALT declares that these products described under **Technical Data** are in compliance with: 2006/42/EC, EN60745-1:2009+A11:2010, EN60745-2-6:2010. These products also comply with Directive 2014/30/EU and 2011/65/EU. For more information, please contact DeWALT at the following address or refer to the back of the manual.

The undersigned is responsible for compilation of the technical file and makes this declaration on behalf of DeWALT.

Markus Rompel  
Vice-President Engineering, PTE-Europe  
DeWALT, Richard-Klinger-Straße 11,  
D-65510, Idstein, Germany  
07.01.2019



**WARNING:** To reduce the risk of injury, read the instruction manual.

### Definitions: Safety Guidelines

The definitions below describe the level of severity for each signal word. Please read the manual and pay attention to these symbols.



**DANGER:** Indicates an imminently hazardous situation which, if not avoided, **will** result in **death or serious injury**.



**WARNING:** Indicates a potentially hazardous situation which, if not avoided, **could** result in **death or serious injury**.



**CAUTION:** Indicates a potentially hazardous situation which, if not avoided, **may** result in **minor or moderate injury**.

**NOTICE:** Indicates a practice **not related to personal injury** which, if not avoided, **may** result in **property damage**.



Denotes risk of electric shock.



Denotes risk of fire.

### Safety Instructions



**WARNING!** Always observe safety regulations applicable in your country to reduce the risk of fire, electric shock and personal injury.

Read all of this manual carefully before operating the attachment. Also refer to the manual of any power tool that will be used with this attachment.

#### SAVE THIS MANUAL FOR FUTURE REFERENCE

### General Safety Rules

- Keep work area clear.** Cluttered areas and benches invite injuries.
- Keep children away. Do not let children come into contact with the tool.** Supervision is required for those under 16 years of age.
- Use appropriate tool. The intended use is described in this instruction manual.** Do not force small tools or

attachments to do the job of a heavy-duty tool. The tool will do the job better and safer at the rate for which it was intended.



**WARNING:** The use of any accessory or attachment or performance of any operation with this tool, other than those recommended in this instruction manual may present a risk of personal injury.

## Additional Specific Safety Rules for Dust Extraction Systems

- Use dust mask to keep residual dust away from airways when drilling and when servicing the tool or accessories.
- Always use the side handle on the rotary hammer drill, even when the dust extractor is attached.
- Only use if filter is in place.
- Do not use the attachment for drilling applications in wood, steel or plastic.
- Do not use the attachment in core drilling applications.
- Do not use the attachment for chiselling applications.
- Use only power tools recommended by DEWALT with this attachment. For more information about DEWALT power tools compatible with this attachment, please contact your local dealer, refer to the addresses at the back of the manual or visit [www.dewalt.com](http://www.dewalt.com).
- Do not use the tool in damp or wet conditions.
- Do not allow to be used as a toy. Close attention is necessary when used by or near children.
- Use only as described in this manual. Use only manufacturer's recommended attachments.
- Do not put any object into openings. Do not use with any opening blocked; keep free of dust, lint, hair and anything that may reduce air flow.
- Keep hair, loose clothing, fingers and all parts of body away from openings and moving parts.
- Do not use to pick up flammable or combustible liquids, such as gasoline, or use in areas where they may be present.

## Residual Risks

The following risks are inherent to the use of the dust extraction system:

- Injuries caused by touching the rotating parts or hot parts of the tool

In spite of the application of the relevant safety regulations and the implementation of safety devices, certain residual risks cannot be avoided. These are:

- Impairment of hearing.
- Risk of squeezing fingers when changing the accessory.
- Health hazards caused by breathing dust developed when working in concrete and/or masonry.

## Package Contents

The package contains:

- 1 Dust extraction system
- 1 Small dust extraction head

- 1 Standard dust extraction head
- 1 Large dust extraction head
- 1 Instruction manual
- Check for damage to the tool, parts or accessories which may have occurred during transport.
- Take the time to thoroughly read and understand this manual prior to operation.

## Markings on Dust Extraction System

The following pictograms are shown on the tool:



Read instruction manual before use.

### Date Code Position (Fig. F)

The date code **18**, which also includes the year of manufacture, is printed into the housing.

Example:

2020 XX XX  
Year of Manufacture

### Description (Fig. A)



**WARNING:** Never modify the power tool or any part of it. Damage or personal injury could result.

- |  |                                      |
|--|--------------------------------------|
| 1 Dust collection box                    | 7 Dust extractor ring                |
| 2 Dust collection box release buttons    | 8 Dust extractor ring release button |
| 3 Filter cleaning mechanism              | 9 Worklight                          |
| 4 Depth adjustment button                | 10 Dust extraction head              |
| 5 Adjustment for drill bit length button | 11 Dust brush                        |
| 6 Telescope                              | 12 Dust extractor ring lock button   |

### Intended Use

Your dust extraction system DWH205DH has been designed for the extraction of dust in professional hammerdrilling in masonry or concrete, and with solid drill bits mounted to the power tool.

Do not use under wet conditions or in the presence of flammable liquids or gases.

This dust extraction system will fit the DEWALT DCH263 18 V cordless SDS PLUS hammer

Do not let children come into contact with the tool. Supervision is required when inexperienced operators use this tool.

- Young children and the infirm. This appliance is not intended for use by young children or infirm persons without supervision.
- This product is not intended for use by persons (including children) suffering from diminished physical, sensory or mental abilities; lack of experience, knowledge or skills unless they are supervised by a person responsible for their safety. Children should never be left alone with this product.

## Worklight (Fig. A)

**!** **CAUTION:** Do not stare into worklight. Serious eye injury could result.

There is a worklight **9** located on the top of the dust extractor. The worklight is activated when the trigger switch is depressed, and will automatically turn off 20 seconds after the trigger switch is released. If the trigger switch remains depressed, the worklight will remain on.

**NOTE:** The worklight is for lighting the immediate work surface and is not intended to be used as a flashlight.

## ASSEMBLY AND ADJUSTMENTS

**!** **WARNING:** To reduce the risk of serious personal injury, turn tool off and disconnect tool from power source before making any adjustments or removing/installing attachments or accessories. Be sure the trigger switch is in the OFF position. An accidental start-up can cause injury.

## Attaching and Removing the Dust Extraction System

### To Attach the Dust Extraction System (Fig. B–D)

**!** **WARNING:** To reduce the risk of personal injury, ALWAYS operate the tool with the side handle properly installed and securely tightened. Failure to do so may result in the side handle slipping during tool operation and subsequent loss of control. Hold tool with both hands to maximize control.

1. Remove the battery pack, drill bit, side handle and the depth adjustment rod, if attached to the rotary hammer.
2. Press the dust extractor ring release button **8** to open the dust extractor ring **7**.
3. Holding the front of the dust extractor, insert hammer into the dust extractor as shown in Figure C, ensuring that the dust extractor ring sits on the collar of the hammer **17** and the electrical connectors **13** on the hammer align with the electrical connectors on the dust extractor **14** (Fig. D). The electrical connectors must be clean.
 

**NOTE:** Do not hold the dust extractor by the dust collection box when attaching it to the hammer.
4. With the hammer fully inserted in the dust extractor, press the dust extractor ring lock button **12** to close. It will click in place when secure.
5. Install the side handle on the hammer.
6. Test to see if the dust extractor is properly installed on the rotary hammer:
  - a. Install the dust extractor.
  - b. Start your drilling operation and stop after 6 mm.
  - c. Lift the tool and check if the dust extraction is working.
  - d. If the dust extractor is operating properly continue your work.

### To Remove the Dust Extraction System (Fig. B, C)

To remove the dust extraction system:

1. Remove the side handle from the hammer.

2. Press the dust extractor ring release button **8** to open the dust extractor ring **7** and slide the hammer from the dust extractor.

The side handle must be removed to store the dust extractor properly in the kitbox.

## Attaching and Removing Small, Standard and Large Dust Extraction Heads (Fig. H)

**!** **WARNING:** Wear approved eye protection and approved dust mask when performing this procedure.

The dust brush **11** will wear during use and will need to be replaced at the same time as the filter.

- Insert the dust extraction head **10** into the end of the telescope as shown in Figure H. The head will snap into place.
- To remove a dust extraction head from the unit, press and hold the release button **16**. Pull the dust extraction head up and off.

## OPERATION

### Instructions for Use

**!** **WARNING:** Always observe the safety instructions and applicable regulations.

**!** **WARNING:** To reduce the risk of serious personal injury, turn tool off and disconnect tool from power source before making any adjustments or removing/installing attachments or accessories. An accidental start-up can cause injury.

### Proper Hand Position (Fig. E)

**!** **WARNING:** To reduce the risk of serious personal injury, ALWAYS use proper hand position as shown.

**!** **WARNING:** To reduce the risk of serious personal injury, ALWAYS hold securely in anticipation of a sudden reaction.

Proper hand position requires one hand on the main handle and one hand on the side handle of the hammer. The side handle must be installed for proper use.

### Switch

The extraction system automatically starts when the rotary hammer is turned on and stops after a few seconds when the hammer turns off.

### Filter Cleaning Mechanism

The filter cleaning mechanism is a feature that uses the motor in the rotary hammer to force air through the filter. Refer to **Emptying the Dust Collection Box** for instructions on proper use.

### Electronic Switch-Off Delay

After turning the rotary hammer off, the extraction system will run for a few seconds longer to vacuum the remaining dust particles in the internal parts and collect the dust in the dust collection box.

## Adjusting the Telescope to Match the Drill Bit Length (Fig. A)

1. Insert the appropriate drill bit.
2. Pull the telescope **6** out and hold it at the maximum length of travel.
3. Press and hold the adjustment for drill bit length button **5** on the side of the dust extractor and retract the telescope so that the dust extractor head **10** meets the end of the drill bit.
4. Release the adjustment for drill bit length button and telescope. The telescope will click and lock in position.
5. To reset the telescope press the adjustment for drill bit length button and extend the telescope out as far as it will go. Release the adjustment for drill bit length button and telescope.

## Adjusting the Drill Bit Depth (Fig. A)

1. Insert the appropriate drill bit.
2. Retract the telescope **6** so that the required length of drill bit is protruding past the dust extractor head **10** and matches the desired hole depth.
3. Press and hold the depth adjustment button **4** and slide it back along the length of the telescope as far as it will go.
4. Release the depth adjustment button and the telescope. The telescope will now not extend past the set depth.
5. To reinstate the maximum drilling depth press and hold the depth adjustment button and slide it all the way to the end of the telescope. Release the depth adjustment button.

## Emptying the Dust Collection Box (Fig. F, G)



**WARNING:** Wear approved eye protection and approved dust mask when performing this procedure.



**CAUTION:** Do not clean with water or compressed air.

The dust collection box **1** should be emptied as soon as the performance has noticeably decreased or is full.

1. Press the dust collection box release buttons **2** and pull the dust collection box away from the dust extraction system. Once the catch mechanism is clear of the dust extraction system the upper joint will also release allowing the dust collection box to be removed completely.
2. To empty the dust collection box **1** position it over a suitable container to catch the dust contained within it. Lift up the assembly release latch **15** to open the dust collection box, separating the canister from the lid. Gently tapping the dust collection box will encourage any dust trapped within the filter to also be removed. Once the filter lid and canister are empty reattach them, ensuring the assembly release latch **15** is securely fastened. Refer to Figure G.
3. To reattach the dust collection box to the dust extraction system first insert the rounded profile of the upper joint into the recess on the dust extraction system. Pivot the dust collection box down so that the release buttons click back into place. Refer to Figure F.

4. With the dust collection box properly installed, depress the filter cleaning mechanism **3** and pull the trigger on the tool. Allow the system to run for 5 seconds and release trigger. This should be done after every emptying of the dust collection box.

## MAINTENANCE

Your power tool has been designed to operate over a long period of time with a minimum of maintenance. Continuous satisfactory operation depends upon proper tool care and regular cleaning.



**WARNING:** To reduce the risk of serious personal injury, turn tool off and disconnect tool from power source before making any adjustments or removing/installing attachments or accessories. An accidental start-up can cause injury.

## Replacing the Dust Collection Box Filter Assembly (Fig. F)



**WARNING:** Wear approved eye protection and approved dust mask when performing this procedure.



**WARNING:** Replace any damaged filters immediately.

**NOTE:** The filter should be replaced after every 350 cycles of use.

1. Press the dust collection box release buttons **2** and pull the dust collection box away from the dust extraction system. Once the catch mechanism is clear of the dust extraction system the upper joint will also release allowing the dust collection box to be removed completely.
2. Discard dust collection box **1** replace with a new filter box.
3. Reattach the dust collection box to the dust extraction system. First insert the rounded profile of the upper joint into the recess on the dust extraction system. Pivot the dust collection box down so that the release buttons click back into place.



## Lubrication

Your power tool requires no additional lubrication.



## Cleaning



**WARNING:** Do not use a spray system, pressure jet washer or running water for cleaning.



**WARNING:** Wear approved eye protection and approved dust mask when performing this procedure.



**WARNING:** Do not use a brush or compressed air to clean the dust collector or filter.



**WARNING:** Never use solvents or other harsh chemicals for cleaning the non-metallic parts of the dust extractor. These chemicals may weaken the materials used in these parts. Use a cloth dampened only with water and mild



*soap. Never let any liquid get inside the dust extractor;  
never immerse any part of the dust extractor into a liquid.*

During intensive use the dust collector becomes clogged with dust. Refer to **Replacing The Dust Collector Box Filter Assembly**, under **Maintenance**.

For cleaning and maintenance in a way that avoids exposing maintenance personnel and other persons to any hazards, wear personal protective equipment. Clean the maintenance area in a way that prevents hazardous substances from escaping into the surrounding environment.

## Optional Accessories



**WARNING:** *Since accessories, other than those offered by DEWALT, have not been tested with this product, use of such accessories with this tool could be hazardous. To reduce the risk of injury, only DEWALT recommended accessories should be used with this product.*

Consult your dealer for further information on the appropriate accessories.

## Protecting the Environment



Separate collection. Products marked with this symbol must not be disposed of with normal household waste.

Products contain materials that can be recovered or recycled reducing the demand for raw materials.

Please recycle electrical products according to local provisions. Further information is available at [www.2helpU.com](http://www.2helpU.com).

# СИСТЕМА УДАЛЕНИЯ ПЫЛИ DWH205DH

## Поздравляем!

Вы приобрели инструмент DEWALT. Многолетний опыт, тщательная разработка изделий и инновации делают компанию DEWALT одним из самых надёжных партнеров для пользователей профессионального электроинструмента.

## Технические характеристики

|                                    |                        | DWH205DH      |
|------------------------------------|------------------------|---------------|
| Напряжение                         | V <sub>пост.тока</sub> | 18            |
| Тип                                |                        | 1             |
| Контактное давление                | N                      | 80            |
| <b>Малая головка</b>               |                        |               |
| Максимальный диаметр насадки       | мм                     | 12            |
| Максимальная длина насадки (общая) | мм                     | 180           |
| Максимальная глубина сверления     | мм                     | 180           |
| <b>Стандартная головка</b>         |                        |               |
| Максимальный диаметр насадки       | мм                     | 26            |
| Максимальная длина насадки (общая) | мм                     | 180           |
| Максимальная глубина сверления     | мм                     | 180           |
| <b>Большая головка</b>             |                        |               |
| Максимальный диаметр насадки       | мм                     | 38            |
| Максимальная длина насадки (общая) | мм                     | 180           |
| Максимальная глубина сверления     | мм                     | 180           |
| Совместимость с инструментами      |                        | Только DCH263 |
| Вес                                | кг                     | 1,5           |

## Декларация о соответствии нормам ЕС

### Директива по механическому оборудованию



### Система удаления пыли DWH205DH

DEWALT заявляет, что продукция, описанная в **Технические характеристики**, соответствует:

2006/42/EC, EN60745-1:2009+A11:2010, EN60745-2-6:2010.

Эти продукты также соответствуют Директиве 2014/30/EU и 2011/65/EU. За дополнительной информацией обращайтесь в компанию DEWALT по адресу, указанному ниже или приведенному на задней стороне обложки руководства.

Нижеподписавшийся несет ответственность за составление технической документации и составил данную декларацию по поручению компании DEWALT.

Маркус Ромпель  
Вице-президент отдела по разработке и производству,  
PTE-Europe  
DEWALT, Richard-Klinger-Straße 11,  
D-65510, Idstein, Германия  
07.01.2019



**ВНИМАНИЕ:** Во избежание риска получения травм ознакомьтесь с инструкцией.

## Обозначения: правила техники безопасности

Ниже описывается уровень опасности, обозначаемый каждым из предупреждений. Прочитайте руководство и обратите внимание на данные символы.



**ОПАСНО:** Обозначает опасную ситуацию, которая неизбежно приведет к **серьезной травме или смертельному исходу**, в случае несоблюдения соответствующих мер безопасности.



**ВНИМАНИЕ:** Указывает на потенциально опасную ситуацию, которая, в случае несоблюдения соответствующих мер безопасности, может привести к **серьезной травме или смертельному исходу**.



**ПРЕДУПРЕЖДЕНИЕ:** Указывает на потенциально опасную ситуацию, которая, в случае несоблюдения соответствующих мер безопасности **может** стать причиной травм **средней или легкой степени тяжести**.

**ПОЯСНЕНИЕ:** Указывает на практики, использование которых не связано с получением травмы, но если ими пренебречь, могут привести к **порче имущества**.



Указывает на риск поражения электрическим током.



Указывает на риск возгорания.

## Правила техники безопасности



**ВНИМАНИЕ!** Обязательно соблюдайте действующие национальные правила техники безопасности для сведения к минимуму опасности пожара, поражения электрическим током и прочих травм.

Прежде чем приступить к работе с этим приспособлением, внимательно прочтите настоящее руководство. Также обратитесь к руководству по эксплуатации электроинструмента, с которым используется это приспособление.

## СОХРАНИТЕ НАСТОЯЩЕЕ РУКОВОДСТВО ДЛЯ ИСПОЛЬЗОВАНИЯ В БУДУЩЕМ

### Общие правила техники безопасности

- Содержите рабочее место в чистоте.**  
Загромождение рабочей зоны и верстака может стать причиной несчастного случая.
- Не подпускайте близко детей. Не допускайте детей к инструменту.** Для детей младше 16 лет необходим надзор.
- Правильно подбирайте инструмент. Далее в руководстве приводятся виды работ, для которых предназначен данный инструмент. Маломощный инструмент или приспособления нельзя использовать для тяжелых работ.**

Правильно подобранный инструмент выполнит работу более эффективно и безопасно при стандартной нагрузке.



**ВНИМАНИЕ:** Применение любых принадлежностей и приспособлений, а также выполнение любых операций помимо тех, которые рекомендованы данным руководством, может привести к травме.

### Дополнительные специальные правила техники безопасности для систем удаления пыли

- Используйте пылезащитную маску для защиты дыхательных путей от остаточной пыли при сверлении и обслуживании инструмента или технических принадлежностей.
- Всегда пользуйтесь боковой рукояткой на перфораторе, даже при закрепленном пылеуловителе.
- Используйте только с установленным фильтром.
- Не используйте приспособление для сверления дерева, стали и пластмассы.
- Не используйте приспособление для колонкового бурения.
- Не используйте приспособление для выдалбливания.
- Используйте только рекомендованные DEWALT электроинструменты с этим приспособлением. За дополнительной информацией об электроинструментах DEWALT, совместимых с данным приспособлением, обратитесь к своему продавцу, по адресам на обратной стороне данного руководства или посетите сайт [www.dewalt.com](http://www.dewalt.com).
- Не используйте инструмент в условиях повышенной влажности.
- Не разрешайте детям играть с устройством. При работе рядом с детьми необходимо особое внимание.
- Используйте устройство так, как описано в данном руководстве. Используйте только рекомендованные производителем приспособления.
- Не вставляйте какие-либо предметы в отверстия устройства. Не пользуйтесь устройством с

закрытыми вентиляционными отверстиями, следите за тем, чтобы в них не скапливалась пыль, ворс, волосы или что-либо еще, что может помешать прохождению воздушного потока.

- Следите за тем, чтобы свободная одежда, пальцы и другие части тела не попадали в отверстия или движущиеся части устройства.
- Не используйте устройство для сбора легковоспламеняющихся или взрывоопасных жидкостей (например бензина) и не используйте его в местах, где есть такие жидкости.

### Остаточные риски

При использовании системы удаления пыли присутствуют следующие риски:

- Травмы в результате контакта с вращающимися или горячими деталями инструмента

Несмотря на соблюдение соответствующих инструкций по технике безопасности и использование предохранительных устройств, некоторые остаточные риски невозможно полностью исключить. А именно:

- Ухудшение слуха.
- Риск защемления пальцев при смене дополнительных принадлежностей.
- Угроза здоровью вследствие вдыхания пыли, которая образуется при работе с бетоном и/или кирпичной кладкой.

### Комплектация поставки

В комплектацию входит:

- Система удаления пыли
  - Малая головка пылеуловителя
  - Стандартная головка пылеуловителя
  - Большая головка пылеуловителя
  - Руководство по эксплуатации
- Проверьте инструмент, детали и дополнительные принадлежности на наличие повреждений, которые могли произойти во время транспортировки.
  - Перед началом работы необходимо внимательно прочитать настоящее руководство и принять к сведению содержащуюся в нем информацию.

### Пометки на системе удаления пыли

На инструмент нанесены следующие обозначения:



Перед началом работы прочтите руководство по эксплуатации.

### Место положения кода даты (Рис. [Fig.] F)

Код даты **18**, который также включает в себя год изготовления, отштампован на поверхности корпуса инструмента.

Пример:

2020 XX XX  
Год изготовления

## Описание (Рис. А)

**!** **ВНИМАНИЕ:** *Никогда не вносите изменения в конструкцию электроинструмента или какой-либо его части. Это может привести к повреждению или травме.*

- |  |   |
|--|---|
| 1 Пылесборник                          | 6 Телескопическое устройство                  |
| 2 Кнопки фиксатора пылесборника        | 7 Кольцо пылеуловителя                        |
| 3 Механизм очистки фильтра             | 8 Кнопка разблокирования кольца пылеуловителя |
| 4 Кнопка регулировки глубины           | 9 Подсветка                                   |
| 5 Кнопки регулировки под длину насадки | 10 Головка пылеуловителя                      |
|  | 11 Щетка                                      |
|  | 12 Кнопка фиксатора кольца пылеуловителя      |

## Назначение

Система удаления пыли DWH205DH разработана для удаления пыли во время профессионального сверления с ударом кирпичной кладки или бетона, когда на инструмент установлены твердые сверла.

Не используйте в условиях повышенной влажности или поблизости от легковоспламеняющихся жидкостей или газов.

Система удаления пыли подходит к аккумуляторному перфоратору DeWALT DCH263 SDS PLUS 18 В

Не допускайте детей к инструменту. Использование инструмента неопытными пользователями должно происходить под контролем опытного лица.

- Данный инструмент не предназначен для использования лицами (включая детей) с ограниченными физическими, психическими и умственными возможностями, не имеющими опыта, знаний или навыков работы с ним, если они не находятся под наблюдением лица, ответственного за их безопасность. Никогда не оставляйте детей без присмотра с этим инструментом.

## Рабочая подсветка (Рис. А)

**!** **ПРЕДУПРЕЖДЕНИЕ:** *Не направляйте свет в глаза. Это может привести к серьезным повреждениям глаз.*

Рабочая подсветка **9** расположена в верхней части пылеуловителя. Эта подсветка включается при нажатии на выключатель и автоматически выключается через 20 секунд после того, как пусковой выключатель будет отпущен.

Если пусковой выключатель остается нажатым, подсветка продолжит работать.

**ПРИМЕЧАНИЕ:** Подсветка предназначена для освещения рабочей поверхности и не может использоваться в качестве фонаря.

## СБОРКА И РЕГУЛИРОВКА

**!** **ВНИМАНИЕ:** *Чтобы снизить риск получения серьезной травмы, необходимо выключить инструмент и отсоединить батарею, прежде чем выполнять какую-либо регулировку либо*

*удалять/устанавливать какие-либо насадки или дополнительные принадлежности.*

*Случайный запуск может привести к травме.*

**!** **ВНИМАНИЕ:** *Используйте только зарядные устройства и аккумуляторные батареи марки DeWALT.*

## Установка и снятие системы удаления пыли

### Установка системы удаления пыли (рис. В–D)

**!** **ВНИМАНИЕ:** *Во избежание травмы, необходимо ВСЕГДА проверять надежность установки и затяжки боковой рукоятки. Невыполнение этого требования может привести к соскальзыванию боковой рукоятки во время работы инструмента и к потере управления. Чтобы обеспечить максимальный контроль над инструментом, удерживайте его обеими руками.*

1. Снимите аккумуляторную батарею, насадку, боковую рукоятку и шток регулировки глубины, если таковые закреплены на перфораторе.
2. Нажмите кнопку разблокирования кольца пылеуловителя **8**, чтобы раскрыть кольцо пылеуловителя **7**.
3. Удерживая пылеуловитель за переднюю часть, вставьте перфоратор в пылеуловитель, как показано на Рисунке С таким образом, чтобы кольцо пылеуловителя встало на муфту перфоратора **17**, а электрические разъемы **13** на перфораторе были совмещены с электрическими разъемами на пылеуловителе **14** (Рис. D). Электрические разъемы должны быть чистыми.

**ПРИМЕЧАНИЕ:** Не держите пылеуловитель за пылесборник при его креплении на перфоратор.

4. Полностью вставив перфоратор в пылеуловитель, нажмите кнопку фиксатора кольца пылеуловителя **12** для закрытия. Он должен зафиксироваться с щелчком.
5. Установите боковую рукоятку на перфоратор.
6. Проверьте надежность крепления пылеуловителя и перфоратора:
  - a. Установите пылеуловитель.
  - b. Начните сверление и остановитесь через 6 мм.
  - c. Поднимите инструмент и убедитесь, что пылеуловитель работает.
  - d. Если пылеуловитель работает надлежащим образом, продолжайте работу.

### Снятие системы удаления пыли (Рис. В, С)

Снятие системы удаления пыли:

1. Снимите боковую рукоятку с перфоратора.
2. Нажмите кнопку разблокирования кольца пылеуловителя **8**, чтобы раскрыть кольцо пылеуловителя **7**, после чего извлеките перфоратор из пылеуловителя.

Для правильного хранения пылеуловителя в инструментальном ящике, боковая рукоятка должна быть снята.

## Установка и снятие малых, стандартных и больших головок пылеуловителя (Рис. Н)

**⚠ ВНИМАНИЕ:** Надевайте защитные очки и пылезащитную маску при выполнении этих работ.

Щетка **11** во время эксплуатации будет изнашиваться и со временем потребует замены, как и фильтр.

- Вставьте головку пылеуловителя **10** в конец телескопического устройства, как показано на Рисунке Н. Головка встанет на место со щелчком.
- Чтобы извлечь головку пылеуловителя из устройства, нажмите и удерживайте кнопку разблокирования **16**. Потяните головку пылеуловителя вверх и снимите ее.

## ЭКСПЛУАТАЦИЯ

### Инструкции по использованию

**⚠ ВНИМАНИЕ:** Всегда следуйте указаниям действующих норм и правил безопасности.

**⚠ ВНИМАНИЕ:** Чтобы снизить риск получения серьезных травм, выключайте инструмент и отключайте его от сети перед тем, как выполнять какие-либо настройки или снимать/устанавливать насадки или принадлежности. Случайный запуск может привести к травме.

### Правильное положение рук во время работы (Рис. Е)

**⚠ ВНИМАНИЕ:** Для уменьшения риска получения тяжелой травмы, **ВСЕГДА** правильно удерживайте инструмент, как показано на рисунке.

**⚠ ВНИМАНИЕ:** Для уменьшения риска получения тяжелой травмы, **ВСЕГДА** надёжно удерживайте инструмент, предупреждая внезапные сбои в работе.

При правильном расположении рук одна рука находится на основной рукоятке, а другая – на боковой рукоятке перфоратора. Для правильной эксплуатации должна быть установлена боковая рукоятка.

### Выключатель

Система удаления пыли автоматически включается при включении перфоратора и останавливается через несколько секунд после остановки перфоратора.

### Механизм очистки фильтра

Механизм очистки фильтра использует электродвигатель перфоратора для принудительной прогонки воздуха через фильтр. См. раздел «Опорожнение пылесборника», включающий в себя инструкции по эксплуатации.

### Электронная задержка выключения

После выключения перфоратора, система удаления пыли проработает еще несколько секунд, чтобы всосать оставшиеся частицы пыли во внутренних частях и собрать пыль в пылесборнике.

## Регулировка телескопического устройства под длину насадки (Рис. А)

1. Вставьте соответствующую насадку.
2. Выдвиньте телескопическое устройство **6** на максимальную длину и удерживайте его там.
3. Нажмите и удерживайте кнопку регулировки под длину насадки **5** сбоку пылеуловителя и уберите телескопическое устройство так, чтобы головка пылеуловителя **10** достала до конца насадки.
4. Отпустите кнопку регулировки под длину насадки и телескопическое устройство. Телескопическое устройство будет зафиксировано на месте со щелчком.
5. Чтобы вернуть телескопическое устройство в первоначальное положение, нажмите кнопку регулировки под длину насадки и выдвиньте телескопическое устройство до упора. Отпустите кнопку регулировки под длину насадки и телескопическое устройство.

## Регулировка глубины насадки (Рис. А)

1. Вставьте соответствующую насадку.
2. Вдвиньте телескопическое устройство **6**, чтобы нужная длина насадки выступала за головку пылеуловителя **10** и совпала с нужной глубиной отверстия.
3. Нажмите и удерживайте кнопку регулировки глубины **4** и сдвиньте ее назад вдоль телескопического устройство до упора.
4. Отпустите кнопку регулировки глубины и телескопическое устройство. Телескопическое устройство теперь не будет выдвигаться за установленную глубину.
5. Чтобы заново установить максимальную глубину сверления, нажмите и удерживайте кнопку регулировки глубины и сдвиньте ее до упора к концу телескопического устройства. Разблокируйте кнопку регулировки глубины.

## Опорожнение пылесборника (Рис. F, G)

**⚠ ВНИМАНИЕ:** Надевайте защитные очки и пылезащитную маску при выполнении этих работ.

**⚠ ПРЕДУПРЕЖДЕНИЕ:** Не очищайте водой или сжатым воздухом.

Пылесборник **1** необходимо опорожнять, когда производительность пылеуловителя заметно падает или пылесборник заполнен.

1. Нажмите на кнопку фиксатора пылесборника **2** и снимите его с системы удаления пыли. Как только механизм замка выйдет из фиксаторов системы удаления пыли, верхнюю часть можно будет снять и полностью опорожнить пылесборник.
2. Чтобы опорожнить пылесборник **1**, высыпьте его содержимое в подходящий контейнер. Поднимите защелку узла **15**, чтобы открыть пылесборник, сняв крышку с емкости. Слегка постучите по пылесборнику, чтобы стряхнуть пыль с фильтра. Прочистив крышку

фильтра и емкость, скрепите их, убедившись, что защелка узла **15** надежно зафиксирована. См. Рисунок G.

- Для установки пылесборника на систему удаления пыли вставьте верхнюю часть с круглым профилем в углубление системы удаления пыли. Поверните пылесборник вниз таким образом, чтобы кнопки разблокирования защелкнулись в исходном положении. См. Рисунок F.
- Установив пылесборник на место, нажмите на механизм очистки фильтра **3**, затем нажмите на пусковой выключатель на инструменте. Позвольте инструменту проработать 5 секунд, затем отпустите пусковой выключатель. Данное действие необходимо выполнять после каждого опорожнения пылесборника.

## ТЕХНИЧЕСКОЕ ОБСЛУЖИВАНИЕ

Электроинструмент имеет длительный срок эксплуатации и требует минимальных затрат на техобслуживание. Для длительной безотказной работы необходимо обеспечить правильный уход за инструментом и его регулярную очистку.

**ВНИМАНИЕ:** Чтобы снизить риск получения серьезных травм, выключайте инструмент и отключайте его от сети перед тем, как выполнять какие-либо настройки или снимать/устанавливать насадки или принадлежности. Убедитесь, что курковый переключатель находится в положении **Выкл.** Непреднамеренный запуск инструмента может привести к получению травмы.

### Замена фильтра пылесборника в сборе

(Рис. F)

**ВНИМАНИЕ:** Надевайте защитные очки и пылезащитную маску при выполнении этих работ.

**ВНИМАНИЕ:** Немедленно заменяйте поврежденные фильтры.

**ПРИМЕЧАНИЕ:** Фильтр необходимо заменять каждые 350 циклов использования.

- Нажмите на кнопки фиксатора пылесборника **4** и снимите его с системы удаления пыли. Как только механизм замка выйдет из фиксаторов системы удаления пыли, верхнюю часть можно будет снять и полностью опорожнить пылесборник.
- Утилизируйте пылесборник **3**, замените блок фильтра на новый.
- Закрепите пылесборник на системе удаления пыли. Вставьте круглый профиль верхнего соединения в углубление на системе удаления пыли. Поверните пылесборник вниз таким образом, чтобы кнопки разблокирования защелкнулись в исходном положении.



### Смазка

Ваш электроинструмент не требует дополнительной смазки.



### Чистка

**ВНИМАНИЕ:** Не используйте для очистки систему распыления, мойку со струей под давлением или проточную воду.

**ВНИМАНИЕ:** Надевайте защитные очки и пылезащитную маску при выполнении этих работ.

**ВНИМАНИЕ:** Не используйте щетку или сжатый воздух для чистки фильтра пылесборника.

**ВНИМАНИЕ:** Никогда не используйте растворителями или другими сильноразрушающими химическими веществами для чистки неметаллических частей пылеуловителя. Эти химикаты могут повредить структуру материала, используемого для производства таких деталей. Используйте ткань, смоченную в мягком мыльном растворе. Не допускайте попадание жидкости внутрь пылеуловителя; никогда не погружайте никакие из деталей пылеуловителя в жидкость.

При интенсивном использовании пылесборник забивается пылью. См. подраздел «Замена фильтра в сборе», раздел «Техническое обслуживание».

Во время очистки и технического обслуживания пылеуловителя следует избегать опасностей для обслуживающего персонала и других лиц, используя средства индивидуальной защиты. Очистите зону обслуживания таким образом, чтобы предотвратить попадание опасных веществ в окружающую среду.

### Дополнительные принадлежности

**ВНИМАНИЕ:** Поскольку принадлежности, отличные от тех, которые предлагает DEWALT, не проходили тесты на данном изделии, то использование этих принадлежностей может привести к опасной ситуации. Во избежание риска получения травмы, с данным продуктом должны использоваться только рекомендованные DEWALT дополнительные принадлежности.

По вопросу приобретения дополнительных принадлежностей обращайтесь к Вашему дилеру.

### Защита окружающей среды



Отдельная утилизация. Изделия с данным символом на маркировке запрещается утилизировать с обычными бытовыми отходами.

Изделия содержат материалы, которые могут быть извлечены или переработаны, снижая потребность в исходном сырье. Пожалуйста, утилизируйте электрические изделия в соответствии с местными нормами. Дополнительная информация доступна по адресу [www.2helpU.com](http://www.2helpU.com) литий-ионные



**Приложение к руководству по эксплуатации электрооборудования для определения месяца производства по номеру текущей календарной недели года**

Электрооборудование торговых марок "Dewalt", "Stanley", "Stanley FatMAX", "BLACK+DECKER".

Директивы 2014/30/EU ЕВРОПЕЙСКОГО ПАРЛАМЕНТА И СОВЕТА от 26 февраля 2014 г. "О гармонизации законодательств Государств-членов ЕС в области электромагнитной совместимости", 2006/42/ЕС ЕВРОПЕЙСКОГО ПАРЛАМЕНТА И СОВЕТА от 17 мая 2006 г. "О машинах и оборудовании"; 2014/35/EU ЕВРОПЕЙСКОГО ПАРЛАМЕНТА И СОВЕТА от 26 февраля 2014 г. "О гармонизации законодательств государств-членов в области размещения на рынке электрооборудования, предназначенного для использования в определенных пределах напряжения". Серийный выпуск.

**ТОВАР СЕРТИФИЦИРОВАН**

Орган по сертификации "РОСТЕСТ- Москва", Адрес: 119049, г. Москва, улица Житная, д. 14, стр. 1; 117418, Москва, Нахимовский просп., 31 (фактический), Телефон: (499) 1292311, (495) 6682893, Факс: (495) 6682893, E-mail: office@rostest.ru  
 Изготовитель: Блэк энд Деккер Холдингс ГмБХ, Германия, 65510, Идштайн, ул. Блэк энд Деккер, 40, тел. +496126212790.

**Уполномоченное изготовителем юр.лицо:**

ООО "Стэнли Блэк энд Деккер", 117485, город Москва, улица Обручева, дом 30/1, строение 2  
 Телефон: + 7 (495) 258-3981, факс: + 7 (495) 258-3984, E-mail: info@dewalt.com  
 Сведения о импортере указаны в сопроводительной документации и/или на упаковке

**Хранение.**

Необходимо хранить в сухом месте, вдали от источников повышенных температур и воздействия солнечных лучей. При хранении необходимо избегать резкого перепада температур. Хранение без упаковки не допускается

**Срок службы.**

Срок службы изделия составляет 5 лет. Не рекомендуется к эксплуатации по истечении 5 лет хранения с даты изготовления без предварительной проверки.

Дата изготовления (код даты) указана на корпусе инструмента. Код даты, который также включает год изготовления, отштампован на поверхности корпуса изделия.

**Пример:**

2014 46 XX, где 2014 –год изготовления, 46-неделя изготовления. Определить месяц изготовления по указанной неделе изготовления можно согласно приведенной ниже таблице.

**Транспортировка.**

Категорически не допускается падение и любые механические воздействия на упаковку при транспортировке. При разгрузке/погрузке не допускается использование любого вида техники, работающей по принципу зажима упаковки.

**Перечень критических отказов, возможные ошибочные действия персонала.**

Не допускается эксплуатация изделия:

- При появлении дыма из корпуса изделия
- При поврежденном и/или оголенном сетевом кабеле
- при повреждении корпуса изделия, защитного кожуха, рукоятки
- при попадании жидкости в корпус
- при возникновении сильной вибрации
- при возникновении сильного искрения внутри корпуса

**Критерии предельных состояний.**

- При поврежденном и/или оголенном сетевом кабеле
- при повреждении корпуса изделия

| Месяц  | Январь | Февраль | Март | Апрель | Май | Июнь | Июль | Август | Сентябрь | Октябрь | Ноябрь | Декабрь | Год производства |
|--------|--------|---------|------|--------|-----|------|------|--------|----------|---------|--------|---------|------------------|
| Неделя | 1      | 5       | 9    | 14     | 18  | 23   | 27   | 31     | 36       | 40      | 44     | 49      | 2018             |
|        | 2      | 6       | 10   | 15     | 19  | 24   | 28   | 32     | 37       | 41      | 45     | 50      |                  |
|        | 3      | 7       | 11   | 16     | 20  | 25   | 29   | 33     | 38       | 42      | 46     | 51      |                  |
|        | 4      | 8       | 12   | 17     | 21  | 26   | 30   | 34     | 39       | 43      | 47     | 52      |                  |
|        |        |         | 13   |        | 22  |      |      | 35     |          |         | 48     |         |                  |
| Неделя | 1      | 6       | 10   | 14     | 18  | 23   | 27   | 31     | 36       | 40      | 45     | 49      | 2019             |
|        | 2      | 7       | 11   | 15     | 19  | 24   | 28   | 32     | 37       | 41      | 46     | 50      |                  |
|        | 3      | 8       | 12   | 16     | 20  | 25   | 29   | 33     | 38       | 42      | 47     | 51      |                  |
|        | 4      | 9       | 13   | 17     | 21  | 26   | 30   | 34     | 39       | 43      | 48     | 52      |                  |
|        | 5      |         |      |        |     | 22   |      |        | 35       |         | 44     |         |                  |
| Неделя | 1      | 6       | 10   | 14     | 19  | 23   | 27   | 32     | 36       | 40      | 45     | 49      | 2020             |
|        | 2      | 7       | 11   | 15     | 20  | 24   | 28   | 33     | 37       | 41      | 46     | 50      |                  |
|        | 3      | 8       | 12   | 16     | 21  | 25   | 29   | 34     | 38       | 42      | 47     | 51      |                  |
|        | 4      | 9       | 13   | 17     | 22  | 26   | 30   | 35     | 39       | 43      | 48     | 52      |                  |
|        | 5      |         |      |        | 18  |      | 31   |        |          | 44      |        |         |                  |
| Неделя | 2      | 6       | 10   | 14     | 19  | 23   | 27   | 32     | 36       | 41      | 45     | 49      | 2021             |
|        | 3      | 7       | 11   | 15     | 20  | 24   | 28   | 33     | 37       | 42      | 46     | 50      |                  |
|        | 4      | 8       | 12   | 16     | 21  | 25   | 29   | 34     | 38       | 43      | 47     | 51      |                  |
|        | 5      | 9       | 13   | 17     | 22  | 26   | 30   | 35     | 39       | 44      | 48     | 52      |                  |
|        |        |         |      |        | 18  |      | 31   |        | 40       |         |        | 1       |                  |
| Неделя | 2      | 6       | 10   | 15     | 19  | 23   | 28   | 32     | 36       | 41      | 45     | 49      | 2022             |
|        | 3      | 7       | 11   | 16     | 20  | 24   | 29   | 33     | 37       | 42      | 46     | 50      |                  |
|        | 4      | 8       | 12   | 17     | 21  | 25   | 30   | 34     | 38       | 43      | 47     | 51      |                  |
|        | 5      | 9       | 13   | 18     | 22  | 26   | 31   | 35     | 39       | 44      | 48     | 52      |                  |
|        |        |         |      | 14     |     | 27   |      |        | 40       |         |        | 1       |                  |

# СИСТЕМА ВИДАЛЕННЯ ПИЛУ DWH205DH

## Вітаємо вас!

Ви обрали інструмент виробництва компанії DeWALT. Ретельна розробка продукції, багаторічний досвід фірми у виробництві інструментів, різні вдосконалення, все це зробило інструменти DeWALT є одними із найнадійніших помічників для тих, хто використовує електричні інструменти у своїй професії.

## Технічні дані

|  |                           | DWH205DH    |  |
|--|---------------------------|-------------|--|
| Напруга                                | V <sub>пост. струму</sub> | 18          |  |
| Тип                                    |                           | 1           |  |
| Контактний тиск                        | N                         | 80          |  |
| Мала головка                           |                           |             |  |
| Максимальний діаметр свердла           | мм                        | 12          |  |
| Максимальна довжина свердла (загальна) | мм                        | 180         |  |
| Максимальна глибина свердління         | мм                        | 180         |  |
| Стандартна головка                     |                           |             |  |
| Максимальний діаметр свердла           | мм                        | 26          |  |
| Максимальна довжина свердла (загальна) | мм                        | 180         |  |
| Максимальна глибина свердління         | мм                        | 180         |  |
| Велика головка                         |                           |             |  |
| Максимальний діаметр свердла           | мм                        | 38          |  |
| Максимальна довжина свердла (загальна) | мм                        | 180         |  |
| Максимальна глибина свердління         | мм                        | 180         |  |
| Сумісність з інструментами             |                           | Лише DCH263 |  |
| Маса                                   | кг                        | 1,5         |  |

## Декларація про відповідність ЄС ДИРЕКТИВА ДЛЯ МЕХАНІЧНОГО ОБЛАДНАННЯ



### Система видалення пилу DWH205DH

DeWALT заявляє, що описані в розділі **Технічні дані** пристрої відповідають стандартам:

2006/42/EC, EN60745-1:2009+A11:2010, EN60745-2-6:2010.

Ці продукти також відповідають вимогам Директив 2014/30/EU та 2011/65/EU. Для отримання додаткової інформації звертайтеся до компанії DeWALT за адресою, зазначеною нижче або наприкінці цього керівництва.

Нижчепідписаний несе відповідальність за упорядкування файлу технічних характеристик та робить цю заяву від імені компанії DeWALT..

Маркус Ромпель  
Віце-президент з машинобудування, PTE-Europer  
DeWALT, Richard-Klinger-Straße 11,  
D-65510, Ідштайн, Німеччина  
07.01.2019



**ПОПЕРЕДЖЕННЯ:** Уважно прочитайте керівництво з експлуатації для зниження ризику отримання травм.

## Позначення: інструкції з техніки безпеки

Умовні позначення, наведені нижче, описують рівень важливості кожної попереджувальної вказівки. Прочитайте керівництво з експлуатації та зверніть увагу на символи, наведені нижче.



**НЕБЕЗПЕЧНО:** Указує на безпосередню загрозу, яка, якщо її не уникнути, призведе до смерті або серйозної травми.



**ПОПЕРЕДЖЕННЯ:** Вказує на потенційну загрозу, ігнорування якої може призвести до смерті або серйозної травми.



**УВАГА:** Вказує на потенційну загрозу, ігнорування якої може призвести до травми легкої або середньої тяжкості.

**ПРИМІТКА:** Вказує на ситуацію, не пов'язану з особою травмою, ігнорування цієї ситуації може призвести до пошкодження майна.



Вказує на ризик ураження електричним струмом.



Вказує на ризик виникнення пожежі.

## Інструкції з техніки безпеки



**УВАГА!** Завжди дотримуйтесь правил з техніки безпеки, що діють у вашій країні, для зниження ризику пожежі, ураження електричним струмом та отримання травм.

Перед роботою з насадкою уважно прочитайте цей посібник. Також див. посібник з експлуатації будь-якого електричного інструменту, який буде використовуватися з цією насадкою.

## ЗБЕРІГАЙТЕ ЦЕ КЕРІВНИЦТВО ДЛЯ ОТРИМАННЯ ІНФОРМАЦІЇ В ПОДАЛЬШОМУ.

### Загальні правила безпеки

- Тримайте робочу зону чистою.** Неупорядковані робочі зони та верстати збільшують ймовірність нещасного випадку.



- b) **Тримайте дітей подалі від робочої зони. Не дозволяйте дітям підходити на небезпечну відстань та торкатися інструмента.** За особами, які не досягли 16 років, потрібен нагляд.
- c) **Використовуйте відповідний інструмент. Використання за призначенням описане в цьому керівництві з використання. Малопотужний інструмент або насадки не можна використовувати для робіт, які потрібно виконувати за допомогою більш потужного інструменту.** Інструмент виконує роботу краще та безпечніше зі швидкістю, на яку він розрахований.



**ПОПЕРЕДЖЕННЯ:** Використання будь-яких аксесуарів чи додаткових інструментів, або виконання операцій, неописаних в цьому керівництві, може призвести до особистих травм.

## Додаткові спеціальні правила безпеки для систем видалення пилу

- При свердлінні і обслуговуванні інструменту або приладдя використовуйте пилозахисну маску, щоб не допустити потрапляння залишків пилу в дихальні шляхи.
- Завжди використовуйте бокову ручку роторного перфоратора, навіть при встановленому пиლოსосі.
- Використовувати тільки зі встановленим фільтром.
- Не використовуйте насадку для свердління отворів в дереві, сталі або пластику.
- Не використовуйте насадку при колонковому бурінні.
- Не використовуйте насадку для довбання.
- Використовуйте з даної насадкою тільки рекомендовані DEWALT електричні інструменти. Для отримання додаткової інформації про електричні інструменти DEWALT, сумісні з даними насадками, зв'яжіться з місцевим дилером за адресою, вказаною на зворотному боці посібника, або відвідайте сайт [www.dewalt.com](http://www.dewalt.com).
- Не використовуйте інструмент в умовах підвищеної вологості.
- Не допускайте використання в якості іграшки. Необхідно приділяти пильну увагу при використанні пристрою дітьми або поруч з ними.
- Використовуйте тільки у спосіб, описаний в цьому посібнику. Використовуйте лише рекомендовані виробником насадки.
- Не кладіть інші предмети на отвори пристрою. Не використовуйте із заблокованими отворами, стежте за тим, щоб у них не накопичувалися пил, ворс, волосся тощо, аби не перешкодити проходженню повітряного потоку.
- Слідкуйте за тим, щоб вільний одяг, пальці та інші частини тіла не потрапляли в отвори або рухомі частини приладу.
- Не використовуйте для збирання легкозаймистих або вибухонебезпечних рідин, таких як бензин, і

не використовуйте пристрій в місцях, де вони можуть знаходитись.

## Залишкові ризики

Ризики, які можуть залишитися при використанні системи видалення пилу:

- Травми через контакт з деталями, що обертаються, або гарячими деталями інструмента

Дотримання всіх правил техніки безпеки та застосування пристроїв безпеки не гарантує уникнення певних залишкових ризиків. До такого переліку належать:

- Порушення слуху.
- Ризик затиснення пальців при заміні насадок.
- Небезпека для здоров'я через вдихання пилу, що утворюється при свердлінні бетону та/або кладки.

## Комплект поставки

До комплекту входить:

- 1 Система видалення пилу
- 1 Мала головка пиლოსоса
- 1 Стандартна головка пиლოსоса
- 1 Велика головка пиლოსоса
- 1 Посібник з експлуатації
- Перевірте інструмент, деталі та приладдя на пошкодження, що могли виникнути під час транспортування.
- Перед використанням уважно прочитайте та повністю зрозумійте цей посібник.

## Маркування на системі видалення пилу

На інструменті є наступні піктограми:



Прочитайте інструкції цього керівництва перед використанням.

## Розташування коду дати (Рис. [Fig.] F)

Код дати **18**, що включає також рік виробництва, зазначений на корпусі.

Приклад:

2020 XX XX  
Рік виробництва

## Опис (рис. A)



**УВАГА!** Ніколи не модифікуйте електричні інструменти та їхні деталі. Це може призвести до пошкодження майна або тілесних ушкоджень.

- |  |  |
|--|--|
| 1 Пилозбірна коробка                       | 6 Телескоп                             |
| 2 Кнопки розблокування пилозбірної коробки | 7 Кільце пиლოსоса                      |
| 3 Механізм очищення фільтру                | 8 Кнопка розблокування кільця пиლოსоса |
| 4 Кнопка налаштування глибини              | 9 Лампа підсвічування                  |
| 5 Кнопка регулювання довжини свердла       | 10 Головка пиლოსоса                    |
|  | 11 Щітка для пилу                      |
|  | 12 Кнопка блокування кільця пиლოსоса   |

## Область застосування

Ваша система видалення пилу DWH205DH була розроблена для видалення пилу при професійному свердлінні перфоратором в цегляній кладці або бетоні, а також при використанні твердих свердел, встановлених на електричному інструменті.

Не використовуйте за умов підвищеної вологості або в присутності легкозаймистих рідин та газів.

Ця система видалення пилу підходить до бездротового перфоратора DeWALT DCH263 18 V SDS PLUS.

Не дозволяйте дітям підходити до небезпечної відстані та торкатися інструмента. Використання інструмента недосвідченими операторами потребує нагляду.

- Цей пристрій не призначений для використання особами (включаючи дітей) із зниженими фізичними, сенсорними або розумовими можливостями або особами, яким бракує досвіду або знань за винятком випадків, коли такі особи працюють під наглядом особи, яка несе відповідальність за їх безпеку. Не можна залишати дітей наодинці з цим приладом.

## Лампа підсвічування (рис. А)



**УВАГА! Уникайте прямого погляду на джерело робочого світла.** Це може призвести до серйозного пошкодження очей.

На верхній частині пирососа знаходиться лампа підсвічування 9. Робоче світло вмикається при натиску на тригерний перемикач і автоматично вимикається через 20 секунд після відпускання перемикача. Якщо тригерний перемикач натиснутий впродовж певного часу, робоче світло залишатиметься також увімкненим.

**ПРИМІТКА.** джерело робочого світла призначене для освітлення безпосередньої робочої поверхні та не використовується в якості ліхтарика.

## МОНТАЖ ТА НАЛАШТУВАННЯ



**ПОПЕРЕДЖЕННЯ:** Щоб знизити ризик серйозних тілесних ушкоджень, вимкніть інструмент та відключіть акумулятор перед виконанням будь-яких налаштувань або знімання/встановлення додаткового обладнання або приладдя. Випадковий запуск може призвести до травм.



**ПОПЕРЕДЖЕННЯ:** Використовуйте тільки DeWALT акумулятори та зарядні пристрої.

## Встановлення і зняття системи видалення пилу

### Встановлення системи видалення пилу (рис. B–D)



**ПОПЕРЕДЖЕННЯ! Щоб знизити ризик травм, ЗАВЖДИ користуйтеся інструментом з правильно встановленою і надійно затягнутою боковою ручкою.** Інакше під час роботи бокова ручка буде рухатися, що може спричинити втрату

контролю над інструментом. Для кращого контролю утримуйте інструмент обома руками.

1. Зніміть акумулятор, свердло, бокову рукоятку і шток налаштування глибини, якщо вони встановлені на роторному перфораторі.
2. Натисніть кнопку розблокування кільця пирососа 8, щоб відкрити кільце пирососа 7.
3. Тримавши передню частину пирососа, вставте перфоратор в пиросос, як показано на рис. C, переконавшись, що кільце пирососа знаходиться на муфті перфоратора 17, а електричні роз'єми 13 на перфораторі суміщені з електричними роз'ємами на пирососі 14 (рис. D). Електричні роз'єми повинні бути чистими.
 

**ПРИМІТКА:** Не тримайте пиросос за пилосбірну коробку при його встановленні на перфоратор.
4. Повністю вставивши перфоратор в пиросос, натисніть кнопку блокування кільця пирососа 12, щоб закрити його. При надійній фіксації воно клацне.
5. Встановіть на перфоратор бокову ручку.
6. Перевірте, чи пиросос правильно встановлений на роторному перфораторі:
  - a. Встановіть пиросос.
  - b. Почніть свердління і зупиніться через 6 мм.
  - c. Підніміть інструмент і перевірте, чи працює система видалення пилу.
  - d. Якщо пиросос працює належним чином, продовжуйте роботу.

### Зняття системи видалення пилу (рис. B, C)

Зняття системи видалення пилу:

1. Зніміть з перфоратора бокову ручку.
2. Натисніть кнопку розблокування кільця пирососа 8, щоб відкрити кільце пирососа 7 та витягніть перфоратор з пирососа.

Бічна ручка має бути знята, щоб пиросос правильно зберігався в комплектній коробці.

## Встановлення і зняття малих, стандартних і великих головок пирососа (рис. H)



**ПОПЕРЕДЖЕННЯ!** Використовуйте рекомендовані засоби захисту органів зору та рекомендовану протипилову маску при виконанні цієї операції.

Щітка для пилу 11 зношується під час використання і підлягає заміні одночасно з фільтром.

- Вставте головку для видалення пилу 10 в кінець телескопа, як показано на рис. H. Головка клацне на місці.
- Щоб зняти головку для видалення пилу з пристрою, натисніть і утримуйте кнопку розблокування 16. Потягніть і зніміть головку для видалення пилу.

## РЕЖИМ РОБОТИ

### Інструкції з використання

**!** **ПОПЕРЕДЖЕННЯ:** Завжди дотримуйтесь усіх інструкцій з техніки безпеки та відповідних норм.

**!** **ПОПЕРЕДЖЕННЯ:** Щоб знизити ризик серйозних травм, вимкніть інструмент та відключіть його від мережі живлення перед виконанням будь-яких налаштувань або зніманням/встановленням насадок або приладдя. Випадковий запуск може призвести до травм.

### Належне положення рук (Рис. Е)

**!** **ПОПЕРЕДЖЕННЯ:** Щоб знизити ризик серйозних травм, **ЗАВЖДИ** правильно розташуйте руки, як показано.

**!** **ПОПЕРЕДЖЕННЯ:** Щоб знизити ризик серйозних травм, **ЗАВЖДИ** надійно тримайте інструмент, щоб попередити випадкову видачу.

При правильному положенні рук необхідно одну руку тримати на основній ручці, а іншу – на боковій ручці перфоратора. Для правильного використання бокова ручка має бути встановлена.

### Перемикач

Система видалення пилу автоматично запускається при увімкненні роторного перфоратора і зупиняється через кілька секунд після його вимкнення.

### Механізм очищення фільтру

Механізм очищення фільтру – це функція, яка використовує двигун в роторному перфораторі для пропускання повітря через фільтр. В розділі **Спорожнення пилозбірної коробки** див. Інструкції з правильної експлуатації.

### Електронна затримка вимкнення

Після вимкнення роторного перфоратора система видалення пилу буде працювати на кілька секунд довше, щоб видалити залишки частинок пилу з внутрішніх деталей і зібрати пил в пилозбірну коробку.

### Налаштування телескопа відповідно до довжини свердла (рис. А)

1. Вставте відповідний свердел.
2. Витягніть телескоп **6** і тримайте його на максимальній довжині ходу.
3. Натисніть і утримуйте кнопку регулювання довжини свердла **5** на боковій стороні пилососа і витягніть телескоп так, щоб кришка пилососа **10** прилягала до кінця свердла.
4. Відпустіть кнопку регулювання довжини свердла і телескоп. Телескоп клацне і зафіксується в потрібному положенні.
5. Для скидання телескопа натисніть кнопку регулювання довжини свердла і висуňte телескоп до упору.

Відпустіть кнопку регулювання довжини свердла і телескоп.

### Налаштування глибини свердла (рис. А)

1. Вставте відповідний свердел.
2. Витягніть телескоп **6** так, щоб необхідна довжина свердла виступала над кришкою пилососа **10** і відповідала необхідній глибині свердління.
3. Натисніть і утримуйте кнопку регулювання глибини **4** і посуňte її назад до довжини телескопа до упору.
4. Відпустіть кнопку регулювання глибини та телескоп. Телескоп тепер не буде витягуватися далі заданої глибини.
5. Для відновлення максимальної глибини свердління натисніть і утримуйте кнопку регулювання глибини і посуňte її до кінця телескопа. Відпустіть кнопку регулювання глибини.

### Спорожнення пилозбірної коробки (рис. F, G)

**!** **ПОПЕРЕДЖЕННЯ!** Використовуйте рекомендовані засоби захисту органів зору та рекомендовану протипилову маску при виконанні цієї операції.

**!** **УВАГА!** Не допускається очищення водою або стисненим повітрям.

Пилозбірну коробку **1** необхідно спорожнювати, як тільки продуктивність помітно знизиться або коробка наповниться.

1. Натисніть на кнопки розблокування пилозбірної коробки **2** і витягніть пилозбірну коробку з системи видалення пилу. Після виймання механізму вловлювання з системи видалення пилу вивільняється і верхній шарнір, що дозволяє повністю видалити пилозбірну коробку.
2. Для випорожнення пилозбірної коробки **1** розмістіть її над відповідним контейнером, щоб уловлювати пил, що в ній міститься. Підніміть фіксатор вузла **15**, щоб відкрити пилозбірну коробку, відокремивши каністру від кришки. Акуратне постукування по пилозбірній коробці також сприяє видаленню пилу, що потрапив всередину фільтра. Після спорожнення кришки фільтра і каністри закріпіть їх заново, переконавшись, що фіксатор вузла **15** надійно закріпленний. Див. рис. G.
3. Щоб прикріпити пилозбірну коробку до системи видалення пилу, спочатку вставте закруглений профіль верхнього шарніру в виймку на системі видалення пилу. Поверніть пилозбірну коробку вниз так, щоб кнопка розблокування клацнула на місці. Див. рис. F.
4. З правильно встановленою пилозбірною коробкою натисніть на механізм очищення фільтру **3** і натисніть на тригер на інструменті. Дайте системі попрацювати 5 секунд і відпустіть тригер. Це слід робити після кожного випорожнення пилозбірної коробки.

## ТЕХНІЧНЕ ОБСЛУГОВУВАННЯ

Ваш електричний інструмент призначений для роботи протягом довгого часу з мінімальним обслуговуванням. Довга задовільна робота приладу залежить від належного обслуговування приладу та регулярного його очищення.

**⚠ ПОПЕРЕДЖЕННЯ:** Щоб знизити ризик серйозних травм, вимкніть інструмент та відключіть його від мережі живлення перед виконанням будь-яких налаштувань або зніманням/встановленням насадок або приладдя. Випадковий запуск може призвести до травм.

### Заміна фільтра пилозбірної коробки в зборі (Рис. F)

**⚠ УВАГА:** Використовуйте рекомендовані засоби захисту органів зору та рекомендовану протипилову маску при виконанні цієї операції.

**⚠ УВАГА:** Негайно замінійте пошкоджені фільтри.

**ПРИМІТКА.** Фільтр слід замінювати після кожні 350 циклів використання.

1. Натисніть на кнопки розблокування пилозбірної коробки 4 і витягніть пилозбірну коробку з системи видалення пилу. Після виймання механізму вловлювання з системи видалення пилу вивільняється і верхній шарнір, що дозволяє повністю видалити пилозбірну коробку.
2. Викиньте пилозбірну коробку 3 і замініть на нову
3. Знову встановіть пилозбірну коробку на систему видалення пилу. Спочатку вставте закруглений профіль верхнього шарніру в виїмку системи видалення пилу. Поверніть пилозбірну коробку вниз так, щоб кнопка розблокування клацнула на місці.



### Змащування

Ваш електричний інструмент не вимагає додаткового змащування.



### Очищення

**⚠ ПОПЕРЕДЖЕННЯ:** не використовуйте для очищення систему розпилення, мийку високого тиску або проточну воду.

**⚠ ПОПЕРЕДЖЕННЯ:** Використовуйте рекомендовані засоби захисту органів зору та рекомендовану протипилову маску при виконанні цієї операції.

**⚠ ПОПЕРЕДЖЕННЯ:** Не використовуйте щітку або стиснене повітря для очищення пилозбірника або фільтра.

**⚠ ПОПЕРЕДЖЕННЯ:** Ніколи не використовуйте розчинники та інші агресивні хімічні засоби для очищення неметалевих деталей пиლოსоса. Такі хімічні речовини можуть нанести шкоду

матеріалам, що використовуються в цих деталях. Використовуйте вологу тканину, змочену лише водою з м'яким милом. Не дозволяйте рідині потрапляти всередину пиლოსоса та ніколи не занурюйте жодні деталі пиლოსоса в рідину.

Під час інтенсивної експлуатації пилозбірник забивається пилом. Див. розділ **Заміна фільтра пилозбірної коробки в зборі** в розділі **Технічне обслуговування**.


Використовуйте засоби індивідуального захисту при очищенні та технічному обслуговуванні, щоб уникнути небезпеки. Очистіть зону технічного обслуговування, щоб уникнути попадання небезпечних речовин у навколишнє середовище.

### Додаткові аксесуари

**⚠ ПОПЕРЕДЖЕННЯ:** Оскільки інше приладдя, що не зазначене виробником DEWALT, не перевірялося з цим пристроєм, його використання з інструментом може бути небезпечним. Необхідно використовувати лише рекомендовані DEWALT приладдя з цим пристроєм, щоб знизити ризик отримання травми.

Зверніться до свого дилера для отримання подальшої інформації щодо відповідного приладдя.

### Захист навколишнього середовища

 Роздільний збір. Пристрої позначені цим символом, не можна викидати зі звичайним побутовим сміттям.  Пристрої містять матеріали, які можна відновити та переробити, що зменшить потребу у сировині. Утилізуйте електротехнічну продукцію відповідно до місцевих положень. Більш детальну інформацію можна отримати на сайті [www.2helpU.com](http://www.2helpU.com).



Виробник:  
"Stanley Black & Decker Deutschland GmbH" Black-&-Decker Str.40, D-65510 Idstein, Німеччина







