

# DEWALT®

## *XR LI-ION*



[www.DEWALT.com](http://www.DEWALT.com)

**DCV584L**



Fig. A

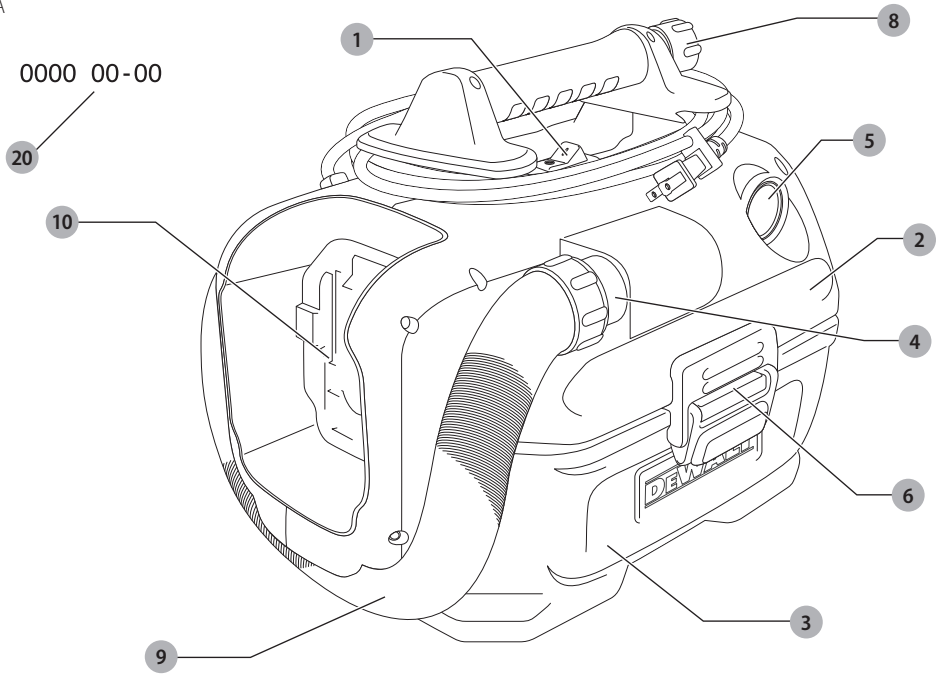


Fig. B

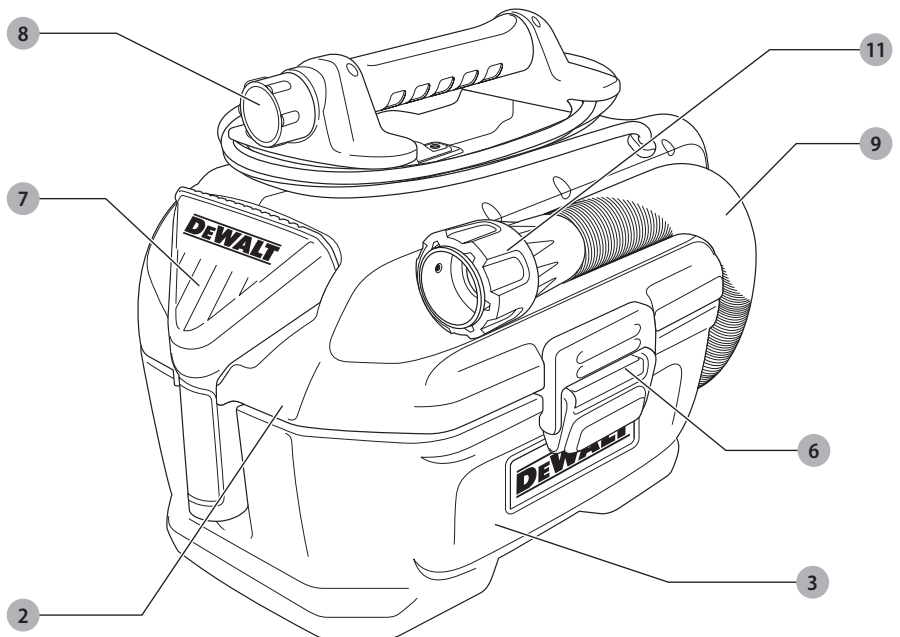


Fig. C

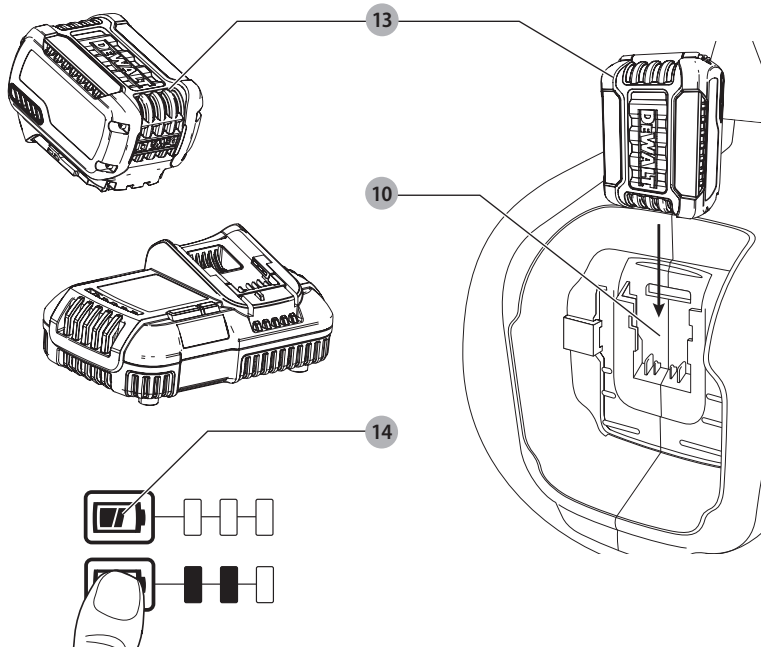


Fig. D

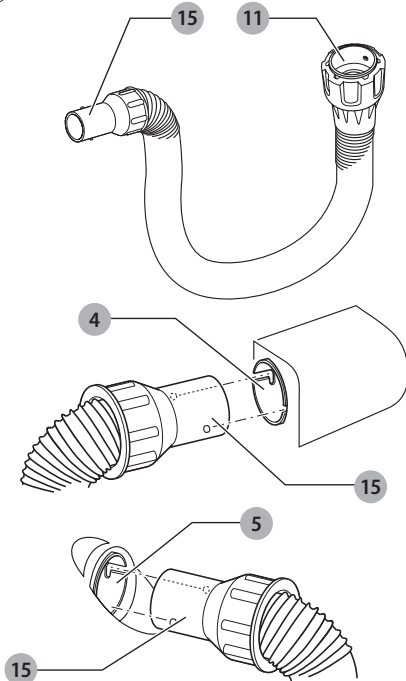


Fig. E

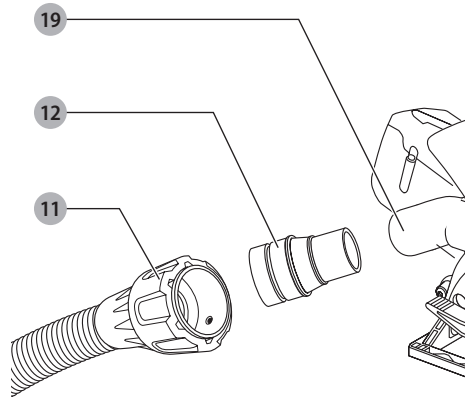


Fig. F

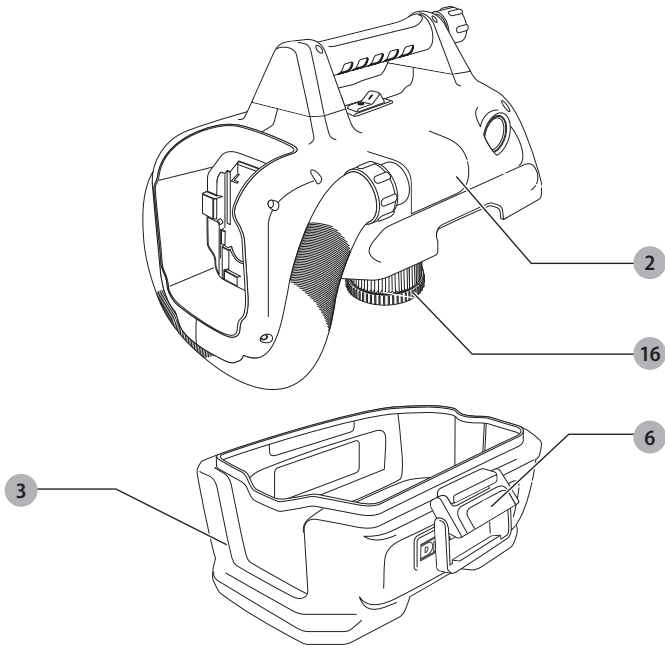
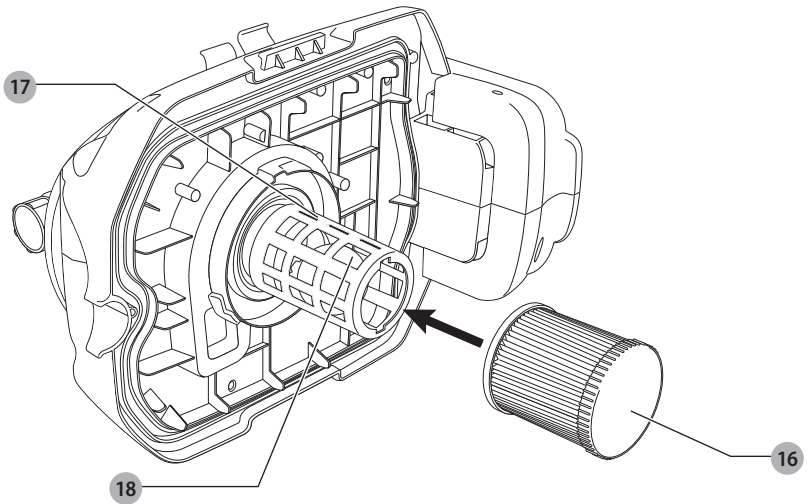


Fig. G



# CORDED/CORDLESS WET/DRY VACUUM CLEANER

## DCV584L

### Congratulations!

You have chosen a DEWALT tool. Years of experience, thorough product development and innovation make DEWALT one of the most reliable partners for professional vacuum cleaner users.

### Technical Data

		DCV584L
Type		1
Power source		AC / DC
Mains voltage	$V_{AC}$	230
UK & Ireland	$V_{AC}$	230 / 115
Battery voltage	$V_{DC}$	14.4/18
Power	W	300
Tank volume	L	7.5
Max. airflow	l/s	15.9
Negative pressure (per EN60335-2-69)	mbar	70
Protection class		IPX4
Hose nozzle diameter	mm	32
Weight (without battery pack)	kg	4.8
Noise values and vibration values (triax vector sum) according to EN60335		
$L_{PA}$ (sound pressure)	dB(A)	76
$K_{PA}$ (sound pressure uncertainty)	dB(A)	3
$L_{WA}$ (sound power)	dB(A)	87
$K_{WA}$ (sound power uncertainty)	dB(A)	3
Vibration emission value $a_{rh}$ =		
	$m/s^2$	0.6
Uncertainty $K$ =		
	$m/s^2$	1.5

The vibration emission level given in this information sheet has been measured in accordance with a standardised test given in EN60335-2-69 and may be used to compare one vacuum cleaner with another. It may be used for a preliminary assessment of exposure.



**WARNING:** The declared vibration emission level represents the main applications of the vacuum cleaner. However if the tool is used for different applications, with different accessories or poorly maintained, the vibration emission may differ. This may significantly increase the exposure level over the total working period.

An estimation of the level of exposure to vibration should also take into account the times when the tool is switched off or when it is running but not actually doing the job. This may significantly reduce the exposure level over the total working period.

Identify additional safety measures to protect the operator from the effects of vibration such as: maintain the tool and the accessories, keep the hands warm, organisation of work patterns.

Battery pack		DCB141	DCB142
Battery type		Li-Ion	Li-Ion
Voltage	$V_{DC}$	14.4	14.4
Capacity	Ah	1.5	4.0
Weight	kg	0.30	0.54

Battery pack		DCB143	DCB144	DCB145
Battery type		Li-Ion	Li-Ion	Li-Ion
Voltage	$V_{DC}$	14.4	14.4	14.4
Capacity	Ah	2.0	5.0	1.3
Weight	kg	0.30	0.52	0.30

Battery pack		DCB181	DCB182
Battery type		Li-Ion	Li-Ion
Voltage	$V_{DC}$	18	18
Capacity	Ah	1.5	4.0
Weight	kg	0.35	0.61

Battery pack		DCB183/B	DCB184/B	DCB185
Battery type		Li-Ion	Li-Ion	Li-Ion
Voltage	$V_{DC}$	18	18	18
Capacity	Ah	2.0	5.0	1.3
Weight	kg	0.40/0.45	0.62/0.67	0.35

Battery pack		DCB546
Battery type		Li-Ion
Voltage	$V_{DC}$	18/54
Capacity	Ah	6.0/2.0
Weight	kg	1.05

Charger		DCB107
Mains voltage	$V_{AC}$	230
Battery type		10.8/14.4/18 Li-Ion
Approx. charging time of battery packs	min	60 (1.3 Ah) 70 (1.5 Ah) 90 (2.0 Ah) 140 (3.0 Ah) 185 (4.0 Ah) 240 (5.0 Ah)
Weight	kg	0.29

Charger		DCB112
Mains voltage	$V_{AC}$	230
Battery type		10.8/14.4/18 Li-Ion
Approx. charging time of battery packs	min	40 (1.3 Ah) 45 (1.5 Ah) 60 (2.0 Ah) 90 (3.0 Ah) 120 (4.0 Ah) 150 (5.0 Ah)
Weight	kg	0.36

Charger		DCB113		
Mains voltage	$V_{AC}$	230		
Battery type		10.8/14.4/18 Li-Ion		
Approx. charging time of battery packs	min	30 (1.3 Ah)	35 (1.5 Ah)	50 (2.0 Ah)
		70 (3.0 Ah)	100 (4.0 Ah)	120 (5.0 Ah)
Weight	kg	0.4		

Charger		DCB115		
Mains voltage	$V_{AC}$	230		
Battery type		10.8/14.4/18 Li-Ion		
Approx. charging time of battery packs	min	22 (1.3 Ah)	30 (1.5 Ah)	40 (2.0 Ah)
		55 (3.0 Ah)	70 (4.0 Ah)	90 (5.0 Ah)
Weight	kg	0.5		

Charger		DCB118		
Mains voltage	$V_{AC}$	230		
Battery type		18/54 Li-Ion		
Approx. charging time of battery packs	min	22 (1.3 Ah)	22 (1.5 Ah)	30 (2.0 Ah)
		45 (3.0 Ah)	60 (4.0 Ah)	75 (5.0 Ah)
			60 (6.0 Ah)	
Weight	kg	0,66		

The DCB107, DCB112, DCB113 and DCB115 chargers accept 10.8V, 14.4V, 18V Li-Ion XR and XR FLEXVOLT™ battery packs (DCB123, DCB127, DCB141, DCB142, DCB143, DCB144, DCB145, DCB181, DCB182, DCB183, DCB183B, DCB184, DCB184B, DCB185 and DCB546) battery packs.

The DCB118 charger accepts 18V Li-Ion XR and XR FLEXVOLT™ battery packs (DCB181, DCB182, DCB183, DCB183B, DCB184, DCB184B, DCB185 and DCB546).

Fuses:		
Europe	230V tools	10 Amperes. mains
U.K. & Ireland	230V tools	3 Amperes. in plugs

## EC-Declaration of Conformity

### Machinery Directive



### Corded/Cordless Wet/Dry Vacuum Cleaner DCV584L

DeWALT declares that these products described under **Technical Data** are in compliance with:

2006/42/EC, EN 60335-1:2012, EN60335-2-69:2012.

These products also comply with Directive 2014/30/EU and 2011/65/EU. For more information, please contact DeWALT at the following address or refer to the back of the manual.

The undersigned is responsible for compilation of the technical file and makes this declaration on behalf of DeWALT.

Markus Rompel  
Director Engineering  
DeWALT, Richard-Klinger-Straße 11,  
D-65510, Idstein, Germany  
20.05.2016



**WARNING:** To reduce the risk of injury, read the instruction manual.

## Definitions: Safety Guidelines

The definitions below describe the level of severity for each signal word. Please read the manual and pay attention to these symbols.



**DANGER:** Indicates an imminently hazardous situation which, if not avoided, **will** result in **death or serious injury**.



**WARNING:** Indicates a potentially hazardous situation which, if not avoided, **could** result in **death or serious injury**.



**CAUTION:** Indicates a potentially hazardous situation which, if not avoided, **may** result in **minor or moderate injury**.

**NOTICE:** Indicates a practice **not related to personal injury** which, if not avoided, **may** result in **property damage**.



Denotes risk of electric shock.



Denotes risk of fire.

## General Safety Warnings



**WARNING:** Read all safety warnings and all instructions. Failure to follow the warnings and instructions may result in electric shock, fire and/or serious injury.

## SAVE ALL WARNINGS AND INSTRUCTIONS FOR FUTURE REFERENCE

### BEFORE USING THIS APPLIANCE, READ AND FOLLOW ALL INSTRUCTIONS.



**WARNING:** Operators shall be adequately instructed on the use of these appliances.



**WARNING:** To reduce the risk of electric shock. Do not expose to rain. Store indoors.

- Before use, operators shall be provided with information, instruction and training for the use of the appliance and the substances for which it is to be used, including the safe method of removal and disposal of the material collected.
- This product is not intended for use by persons (including children) suffering from diminished physical, sensory or mental abilities; lack of experience, knowledge or skills unless they are supervised by a person responsible for their safety. Children should never be left alone with this product.

- Operators should observe any safety regulations appropriate to the materials being handled.
- Do not leave the appliance when it is connected to a power source. Unplug it from outlet and remove battery pack when not in use and before servicing.
- Do not allow the appliance to be used as a toy. Pay close attention when the appliance is used by or near children.
- Use this appliance ONLY as described in the manual. Use only DEWALT recommended attachments.
- Do not use this appliance with a damaged cord or plug. If the appliance is not working correctly, or if it has been dropped, damaged, left outdoors, or dropped in water, return it to a service centre.
- Do not pull or carry this appliance by the cord, use the cord as a handle, close a door on the cord, or pull the cord around sharp edges or corners. Do not run the appliance over the cord. Keep cord away from heated surfaces.
- Do not unplug this appliance by pulling on the cord. To unplug, grasp the plug, not the cord.
- Do not handle the plug, battery pack, or appliance with wet hands.
- Do not put any objects into the openings of the appliance. Do not use the appliance with any opening blocked; keep free of dust, lint, hair and anything else that may reduce air flow.
- Keep hair, loose clothing, fingers, and all body parts away from the openings and moving parts.
- Turn off all controls before unplugging appliance or removing the battery pack.
- Use extra care when cleaning on stairs.
- Do not use the appliance to pick up flammable or combustible liquids, such as gasoline, or use in areas where flammable or combustible liquids are present.
- Static shocks are possible in dry areas or when the relative humidity of the air is low. This is only temporary and does not affect the use of the vacuum.
- To avoid spontaneous combustion, empty tank contents after each use.

## SAVE THESE INSTRUCTIONS

### Additional Safety Rules

- Do not pick up anything that is burning or smoking, such as cigarettes, matches or hot ashes.
- This tool is splashproof according to protection class IPX4. Do not submerge the tool in water.
- Do not use to vacuum combustible explosive materials, such as coal, grain or other finely divided combustible material.
- For dust extractors it is necessary to provide for an adequate air change rate L in the room if the exhaust air is returned to the room. Reference to National Regulations is necessary.
- Do not use to vacuum hazardous, toxic or carcinogenic materials, such as asbestos or pesticide.
- Never pick up explosive liquids (e.g. gasoline, diesel fuel, heating oil, paint thinner, etc.), acids or solvents.
- Do not use vacuum without filters in place.

- Some wood contains preservatives which can be toxic. Take extra care to prevent inhalation and skin contact when working with these materials. Request and follow any safety information available from your material supplier.
- Do not use vacuum as a step ladder.
- Do not place heavy objects on vacuum.

### Residual Risks

In spite of the application of the relevant safety regulations and the implementation of safety devices, certain residual risks cannot be avoided. These are:

- Risk of pinching or crushing of fingers.
- Risk of inhaling fumes when working with adhesives.
- Risk of inhaling hazardous dust.

### Electrical Safety

The electric motor has been designed for one voltage only. Always check that the battery pack voltage corresponds to the voltage on the rating plate. Also make sure that the voltage of your charger corresponds to that of your mains.



Your DEWALT charger is double insulated in accordance with EN60335; therefore no earth wire is required.



**WARNING:** 115 V units have to be operated via a fail-safe isolating transformer with an earth screen between the primary and secondary winding.

If the supply cord is damaged, it must be replaced by a specially prepared cord available through the DEWALT service organisation.

### Mains Plug Replacement (U.K. & Ireland Only)

If a new mains plug needs to be fitted:

- Safely dispose of the old plug.
- Connect the brown lead to the live terminal in the plug.
- Connect the blue lead to the neutral terminal.



**WARNING:** No connection is to be made to the earth terminal.

Follow the fitting instructions supplied with good quality plugs. Recommended fuse: 3 A.

### Using an Extension Cable

An extension cord should not be used unless absolutely necessary. Use an approved extension cable suitable for the power input of your charger (see **Technical Data**). The minimum conductor size is 1 mm<sup>2</sup>; the maximum length is 30 m.

When using a cable reel, always unwind the cable completely.

## SAVE THESE INSTRUCTIONS

### Chargers

DEWALT chargers require no adjustment and are designed to be as easy as possible to operate.



## Important Safety Instructions for All Battery Chargers

**SAVE THESE INSTRUCTIONS:** This manual contains important safety and operating instructions for compatible battery chargers (refer to **Technical Data**).

- Before using charger, read all instructions and cautionary markings on charger, battery pack, and product using battery pack.



**WARNING:** Shock hazard. Do not allow any liquid to get inside charger. Electric shock may result.



**WARNING:** We recommend the use of a residual current device with a residual current rating of 30mA or less.



**CAUTION:** Burn hazard. To reduce the risk of injury, charge only DEWALT rechargeable batteries. Other types of batteries may burst causing personal injury and damage.



**CAUTION:** Children should be supervised to ensure that they do not play with the appliance.

**NOTICE:** Under certain conditions, with the charger plugged into the power supply, the exposed charging contacts inside the charger can be shorted by foreign material. Foreign materials of a conductive nature such as, but not limited to, steel wool, aluminum foil or any buildup of metallic particles should be kept away from charger cavities. Always unplug the charger from the power supply when there is no battery pack in the cavity. Unplug charger before attempting to clean

- **DO NOT attempt to charge the battery pack with any chargers other than the ones in this manual.** The charger and battery pack are specifically designed to work together.
- **These chargers are not intended for any uses other than charging DEWALT rechargeable batteries.** Any other uses may result in risk of fire, electric shock or electrocution.
- **Do not expose charger to rain or snow.**
- **Pull by plug rather than cord when disconnecting charger.** This will reduce risk of damage to electric plug and cord.
- **Make sure that cord is located so that it will not be stepped on, tripped over, or otherwise subjected to damage or stress.**
- **Do not use an extension cord unless it is absolutely necessary.** Use of improper extension cord could result in risk of fire, electric shock, or electrocution.
- **Do not place any object on top of charger or place the charger on a soft surface that might block the ventilation slots and result in excessive internal heat.** Place the charger in a position away from any heat source. The charger is ventilated through slots in the top and the bottom of the housing.
- **Do not operate charger with damaged cord or plug—** have them replaced immediately.
- **Do not operate charger if it has received a sharp blow, been dropped, or otherwise damaged in any way.** Take it to an authorised service centre.
- **Do not disassemble charger; take it to an authorised service centre when service or repair is required.** Incorrect

reassembly may result in a risk of electric shock, electrocution or fire.

- In case of damaged power supply cord the supply cord must be replaced immediately by the manufacturer, its service agent or similar qualified person to prevent any hazard.
- **Disconnect the charger from the outlet before attempting any cleaning. This will reduce the risk of electric shock.** Removing the battery pack will not reduce this risk.
- **NEVER** attempt to connect two chargers together.
- **The charger is designed to operate on standard 230V household electrical power. Do not attempt to use it on any other voltage.** This does not apply to the vehicular charger.







### Charging a Battery (Fig. C)

1. Plug the charger into an appropriate outlet before inserting battery pack.
2. Insert the battery pack **(13)** into the charger, making sure the battery pack is fully seated in the charger. The red (charging) light will blink repeatedly indicating that the charging process has started.
3. The completion of charge will be indicated by the red light remaining ON continuously. The battery pack is fully charged and may be used at this time or left in the charger. To remove the battery pack from the charger, push the battery release button on the battery pack.

**NOTE:** To ensure maximum performance and life of lithium-ion battery packs, charge the battery pack fully before first use.

### Charger Operation

Refer to the indicators below for the charge status of the battery pack.

Charge Indicators		
	Charging	
	Fully Charged	
	Hot/Cold Pack Delay*	

\*The red light will continue to blink, but a yellow indicator light will be illuminated during this operation. Once the battery pack has reached an appropriate temperature, the yellow light will turn off and the charger will resume the charging procedure.

The compatible charger(s) will not charge a faulty battery pack. The charger will indicate faulty battery by refusing to light or by displaying problem pack or charger blink pattern.

**NOTE:** This could also mean a problem with a charger.

If the charger indicates a problem, take the charger and battery pack to be tested at an authorised service centre.

### Hot/Cold Pack Delay

When the charger detects a battery pack that is too hot or too cold, it automatically starts a Hot/Cold Pack Delay, suspending charging until the battery pack has reached an appropriate temperature. The charger then automatically switches to the

pack charging mode. This feature ensures maximum battery pack life.

A cold battery pack will charge at a slower rate than a warm battery pack. The battery pack will charge at that slower rate throughout the entire charging cycle and will not return to maximum charge rate even if the battery pack warms.

The DCB118 charger is equipped with an internal fan designed to cool the battery pack. The fan will turn on automatically when the battery pack needs to be cooled. Never operate the charger if the fan does not operate properly or if ventilation slots are blocked. Do not permit foreign objects to enter the interior of the charger.

### Electronic Protection System

XR Li-Ion tools are designed with an Electronic Protection System that will protect the battery pack against overloading, overheating or deep discharge.

The tool will automatically turn off if the Electronic Protection System engages. If this occurs, place the lithium-ion battery pack on the charger until it is fully charged.

### Wall Mounting

These chargers are designed to be wall mountable or to sit upright on a table or work surface. If wall mounting, locate the charger within reach of an electrical outlet, and away from a corner or other obstructions which may impede air flow. Use the back of the charger as a template for the location of the mounting screws on the wall. Mount the charger securely using drywall screws (purchased separately) at least 25.4 mm long with a screw head diameter of 7–9 mm, screwed into wood to an optimal depth leaving approximately 5.5 mm of the screw exposed. Align the slots on the back of the charger with the exposed screws and fully engage them in the slots.

### Charger Cleaning Instructions



**WARNING: Shock hazard. Disconnect the charger from the AC outlet before cleaning.** Dirt and grease may be removed from the exterior of the charger using a cloth or soft non-metallic brush. Do not use water or any cleaning solutions. Never let any liquid get inside the tool; never immerse any part of the tool into a liquid.

## Battery Packs

### Important Safety Instructions for All Battery Packs

When ordering replacement battery packs, be sure to include catalog number and voltage.

The battery pack is not fully charged out of the carton. Before using the battery pack and charger, read the safety instructions below. Then follow charging procedures outlined.

#### READ ALL INSTRUCTIONS

- **Do not charge or use battery in explosive atmospheres, such as in the presence of flammable liquids, gases or dust.** Inserting or removing the battery from the charger may ignite the dust or fumes.
- **Never force battery pack into charger. Do not modify battery pack in any way to fit into a non-compatible**

**charger as battery pack may rupture causing serious personal injury.**

- Charge the battery packs only in DEWALT chargers.
- **DO NOT splash or immerse in water or other liquids.**
- **Do not store or use the tool and battery pack in locations where the temperature may reach or exceed 40 °C (104 °F) (such as outside sheds or metal buildings in summer).**
- **Do not incinerate the battery pack even if it is severely damaged or is completely worn out.** The battery pack can explode in a fire. Toxic fumes and materials are created when lithium-ion battery packs are burned.
- **If battery contents come into contact with the skin, immediately wash area with mild soap and water.** If battery liquid gets into the eye, rinse water over the open eye for 15 minutes or until irritation ceases. If medical attention is needed, the battery electrolyte is composed of a mixture of liquid organic carbonates and lithium salts.
- **Contents of opened battery cells may cause respiratory irritation.** Provide fresh air. If symptoms persists, seek medical attention.



**WARNING: Burn hazard.** Battery liquid may be flammable if exposed to spark or flame.



**WARNING: Never attempt to open the battery pack for any reason.** If battery pack case is cracked or damaged, do not insert into charger. Do not crush, drop or damage battery pack. Do not use a battery pack or charger that has received a sharp blow, been dropped, run over or damaged in any way (i.e., pierced with a nail, hit with a hammer, stepped on). Electric shock or electrocution may result. Damaged battery packs should be returned to service centre for recycling.



**WARNING: Fire hazard. Do not store or carry the battery pack so that metal objects can contact exposed battery terminals.** For example, do not place the battery pack in aprons, pockets, tool boxes, product kit boxes, drawers, etc., with loose nails, screws, keys, etc.



**CAUTION: When not in use, place tool on its side on a stable surface where it will not cause a tripping or falling hazard.** Some tools with large battery packs will stand upright on the battery pack but may be easily knocked over.

### Transportation



**WARNING: Fire hazard.** Transporting batteries can possibly cause fire if the battery terminals inadvertently come in contact with conductive materials. When transporting batteries, make sure that the battery terminals are protected and well insulated from materials that could contact them and cause a short circuit.

DEWALT batteries comply with all applicable shipping regulations as prescribed by industry and legal standards which include UN Recommendations on the Transport of Dangerous Goods; International Air Transport Association (IATA) Dangerous Goods Regulations, International Maritime Dangerous Goods (IMDG) Regulations, and the European Agreement Concerning

The International Carriage of Dangerous Goods by Road (ADR). Lithium-ion cells and batteries have been tested to section 38.3 of the UN Recommendations on the Transport of Dangerous Goods Manual of Tests and Criteria.

In most instances, shipping a DEWALT battery pack will be excepted from being classified as a fully regulated Class 9 Hazardous Material. In general, only shipments containing a lithium-ion battery with an energy rating greater than 100 Watt Hours (Wh) will require being shipped as fully regulated Class 9. All lithium-ion batteries have the Watt Hour rating marked on the pack. Furthermore, due to regulation complexities, DEWALT does not recommend air shipping lithium-ion battery packs alone regardless of Watt Hour rating. Shipments of tools with batteries (combo kits) can be air shipped as excepted if the Watt Hour rating of the battery pack is no greater than 100 Whr. Regardless of whether a shipment is considered excepted or fully regulated, it is the shipper's responsibility to consult the latest regulations for packaging, labeling/markings and documentation requirements.

The information provided in this section of the manual is provided in good faith and believed to be accurate at the time the document was created. However, no warranty, expressed or implied, is given. It is the buyer's responsibility to ensure that its activities comply with the applicable regulations.

**Transporting the FLEXVOLT™ Battery**

The DEWALT FLEXVOLT™ battery has two modes: **Use** and **Transport**.

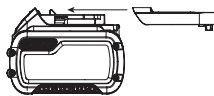
**Use Mode:** When the FLEXVOLT™ battery stands alone or is in a DEWALT 18V product, it will operate as an 18V battery. When the FLEXVOLT™ battery is in a 54V or a 108V (two 54V batteries) product, it will operate as a 54V battery.

**Transport Mode:** When the cap is attached to the FLEXVOLT™ battery, the battery is in transport mode. Keep the cap for shipping.

When in Transport mode, strings of cells are electrically disconnected within the pack resulting in 3 batteries with a lower Watt hour (Wh) rating as compared to 1 battery with a higher Watt hour rating. This increased quantity of 3 batteries with the lower Watt hour rating can exempt the pack from certain shipping regulations that are imposed upon the higher Watt hour batteries.

Transport Wh rating indicates 3 x 36 Wh, meaning 3 batteries of 36 Watt hours each. The Use Wh rating indicates 108 Watt hours (1 battery implied).

example of use and transport label marking



- For long storage, it is recommended to store a fully charged battery pack in a cool, dry place out of the charger for optimal results.

**NOTE:** Battery packs should not be stored completely depleted of charge. The battery pack will need to be recharged before use.

**Labels on Charger and Battery Pack**

In addition to the pictographs used in this manual, the labels on the charger and the battery pack may show the following pictographs:



Read instruction manual before use.



See **Technical Data** for charging time.



Do not probe with conductive objects.



Do not charge damaged battery packs.



Do not expose to water.



Have defective cords replaced immediately.



Charge only between 4 °C and 40 °C.



Only for indoor use.



Discard the battery pack with due care for the environment.



Charge DEWALT battery packs only with designated DEWALT chargers. Charging battery packs other than the designated DEWALT batteries with a DEWALT charger may make them burst or lead to other dangerous situations.



Do not incinerate the battery pack.



Use: Use without transportation cap, Wh rating indicates 108 Wh (1 battery with 108 Wh).



Transport: Transport with built-in transport cap, Wh rating indicates 3 x 36 Wh (3 batteries of 36 Wh).

**Battery Type**

The DCV584L operates on an 14.4, 18V XR or 18V/54V FLEXVOLT™ XR battery pack.

These battery packs may be used: DCB141, DCB142, DCB143, DCB144, DCB145, DCB181, DCB182, DCB183, DCB183B, DCB184,

DCB184B, DCB185, DCB546. Refer to **Technical Data** for more information.

## Package Contents

The package contains:

- 1 Vacuum cleaner
- 1 Vacuum hose
- 1 Wide nozzle
- 1 Crevice tool
- 1 Dust extraction adapter
- 1 Filter
- 1 Instruction manual
- Check for damage to the appliance, parts or accessories which may have occurred during transport.
- Take the time to thoroughly read and understand this manual prior to operation.

## Markings on Vacuum

The following pictograms are shown on the appliance:



Read instruction manual before use.



**WARNING:** This appliance contains harmful dust. The emptying and maintenance, including the removal of the dust bag, may only be executed by trained personnel wearing suitable protection equipment. Do not switch on until the complete filter system has been installed.



Class L dust extractors are suitable to extract dry, non-combustible dusts with workplace limit values of  $> 1 \text{ mg/m}^3$ .

## Date Code Position (Fig. A)

The date code **20**, which also includes the year of manufacture, is printed into the housing.

Example:

2016 XX XX  
Year of Manufacture

## Description (Fig. A, B, E)



**WARNING:** Never modify the vacuum cleaner or any part of it. Damage or personal injury could result.

- 1 On/off switch
- 2 Power head
- 3 Tank
- 4 Vacuum inlet
- 5 Blow outlet
- 6 Latch
- 7 Wide nozzle

- 8 Crevice tool
- 9 Hose
- 10 Battery port
- 11 Air-lock connector
- 12 Dust extraction adaptor (Fig. E)

## Intended Use

Your DCV582L cordless/corded industrial vacuum cleaner and dust extractor for mobile operation to take up wet substances or all types of dry, non-combustible dusts up to dust Class L with limit values for occupational exposure greater than  $1 \text{ mg/m}^3$ .

This appliance can also be operated as a blower for removing debris from the workplace and for drying damp surfaces.

Working on mains (corded) or battery (cordless) power, this appliance can be used both indoors and outdoors.

**DO NOT** use blower for removing hazardous dust.

**DO NOT** let children come into contact with this appliance. Supervision is required when inexperienced operators use this appliance.

**DO NOT** use the dust extractor for combustible dust.

**DO NOT** use the dust extractor in explosive atmospheres.

**DO NOT** use under wet conditions or in presence of flammable liquids or gases.

**NOTE:** This appliance is suited for the commercial use, e.g. in hotels, schools, hospitals, factories, shops, offices, rental companies, and on construction sites.

- **Young children and the infirm.** This appliance is not intended for use by young children or infirm persons without supervision.

## ASSEMBLY AND ADJUSTMENTS



**WARNING:** To reduce the risk of serious personal injury, turn appliance off and disconnect appliance from power source and remove battery pack before making any adjustments or removing/installing attachments or accessories. An accidental start-up can cause injury.



**WARNING:** Use only DEWALT battery packs and chargers.

## Inserting and Removing the Battery Pack from the Tool (Fig. C)

**NOTE:** For best results, make sure your battery pack is fully charged.

### To install the battery pack

1. Align the battery pack **13** with the rails inside the vacuum's battery port **10**.
2. Slide the pack into the battery port until the battery pack is firmly seated in the battery port and ensure that it does not disengage.

### To remove the battery pack

1. Press the battery release button and firmly pull the battery pack out of the port.
2. Insert battery pack into the charger as described in the charger section of this manual.

## Fuel Gauge Battery Packs (Fig. C)

Some DEWALT battery packs include a fuel gauge which consists of three green LED lights that indicate the level of charge remaining in the battery pack.

To actuate the fuel gauge, press and hold the fuel gauge button (14). A combination of the three green LED lights will illuminate designating the level of charge left. When the level of charge in the battery is below the usable limit, the fuel gauge will not illuminate and the battery will need to be recharged.

**NOTE:** The fuel gauge is only an indication of the charge left on the battery pack. It does not indicate tool functionality and is subject to variation based on product components, temperature and end-user application.

## Connecting the Hose (Fig. D)

### Vacuum Mode

1. Insert the notched connecting piece (15) into the vacuum inlet (4).
2. Turn the connecting piece clockwise to fix the hose into position.
3. Connect the appropriate accessory to the hose nozzle (11).

### Blow Mode

1. Insert the notched connecting piece (15) into the blow outlet (5).
2. Turn the connecting piece clockwise to fix the hose into position.
3. Connect the appropriate accessory to the hose nozzle (11).

## OPERATION

### Instructions for Use



**WARNING:** Always observe the safety instructions and applicable regulations.



**WARNING:** To reduce the risk of serious personal injury, turn appliance off and disconnect appliance from power source and remove battery pack before making any adjustments or removing/installing attachments or accessories. An accidental start-up can cause injury.

## Switching On and Off (Fig. A)

To switch the appliance on, set the on/off switch (1) to position I.

To switch the appliance off, set the on/off switch (1) to position O.

## Power Source

This vacuum runs either on mains power or battery power. The vacuum will switch between AC (mains) and DC (battery) power automatically.

### Mains Power

1. Fully unwind the mains cable.
  2. Connect the plug to the mains outlet before turning the appliance on.
- Always turn the vacuum off when work is finished and before unplugging.

- Tidy the mains cable when the vacuum is not in use.

## Battery Power

1. Tidy the mains cable.
2. Insert a battery pack (13).
3. Make sure the battery pack is properly seated.

**NOTE:** The mains cable power source is only designed to power the operation of the vacuum and will not charge an installed battery pack.

## Vacuuming (Fig. A, E, F)

1. Empty and clean the tank (3) before use.
2. Connect the notched connecting piece (15) to the vacuum inlet (4).
3. Select the appropriate accessory.

**NOTE:** We recommend not mixing wet and dry substances. When switching substances, empty and clean the tank first.

## Dust Collection (Fig. E)

In the vacuum mode, your DEWALT vacuum can function as a dust collector for applications producing dust or debris.

Your DEWALT vacuum is fitted with the DEWALT AirLock connection system. This system allows for a fast, secure connection between the suction hose (9) and a power tool. The AirLock connector (11) connects directly to DEWALT compatible tools or through the use of the included AirLock adapter (12).

**NOTE:** When using an adapter ensure it is firmly attached to the tool outlet before following the steps below.

1. Ensure the collar on the AirLock connector is in the unlock position. Align notches on collar and AirLock connector as shown for unlock and lock positions.
2. Push the AirLock connector onto the adapter connector point.
3. Rotate the collar to the locked position.

**NOTE:** The ball bearings inside collar lock into slot and secure the connection. The power tool is now securely connected to the dust extractor.

## Wet/Dry Filter (Fig. F)



**WARNING:** Always operate the appliance with the dust filter (16) in place.



**WARNING:** Always use the appliance in upright position. Do not tilt the appliance, in order to prevent liquids collected in the tank from entering the motor housing.



**WARNING:** If foam or liquid escapes from the machine, switch off immediately.



**CAUTION:** Clean the water level limiting device regularly and examine it for signs of damage.

## Shut-off Feature

If by mistake the appliance is used without the dust filter in place, a shut-off feature will be actuated when the liquid level in the tank has reached its maximum. A float valve will block the suction opening, after which the suction stops and the motor speed increases.

## Blowing (Fig. A)



**WARNING: Never blow hazardous dust!**

1. Empty and clean the tank **3** before use in blowing.
2. Connect the hose **9** to the blow outlet **5**.
3. Select the appropriate accessory.

## To Empty the Tank (Fig. F)

The tank must be emptied when suction power reduces significantly.

1. Release the latches **6** and remove the power head **2** from the tank **3**.
2. Empty the contents of the tank into a waste container in accordance with any current regulation for the disposal of such waste.
3. Clean the filter **16** as described below in **Cleaning**.
4. Re-install the power head onto the tank and secure the latches.

## Cleaning (Fig. F, G)



**WARNING: To reduce the risk of serious personal injury, turn appliance off and disconnect appliance from power source and remove battery pack before cleaning, making any adjustments or removing/installing attachments or accessories. An accidental start-up can cause injury.**

### Cleaning the Housing

Regularly clean the housing with a soft cloth.

### Cleaning the Tank

The tank should be cleaned after each use or when switching substances during use.

1. Empty the tank **3**.
2. Clean the tank using mild soap and a damp cloth.
3. Dry the tank carefully using a soft cloth.

### Cleaning the Wet/Dry Filter (Fig. G)

The wet/dry filter should be cleaned after each use.

If the filter is damaged or fails to operate properly, it must be replaced.

1. Remove the wet/dry filter **16** by turning it counterclockwise and taking it off the suction opening **17**.
2. Shake off excess dust by tapping the filter into a waste container.
3. Depending on its condition, rinse the outside of the filter under lukewarm running water.
4. Secure the filter again by placing it over the suction opening and turning it clockwise.



**WARNING:**

- Do not wash the inside of the filter.
- Let the filter dry thoroughly if the inside becomes wet.
- Do not use a brush to clean the filter.
- Never use compressed air or a brush to clean filters, otherwise damage to the filter membrane will occur which will allow dust to pass through the filter.

## Cleaning the Suction Opening Filter (Fig. G)

The suction opening filter needs to be cleaned if the appliance is operated without the dust filter in place.

1. Keeping the float valve **18** out of the way, remove the filter from the suction opening **17**.
2. Rinse the filter under lukewarm running water.
3. Dry the filter before putting it back in place.
4. Clean the float valve **18** using a damp cloth.

## Troubleshooting

If your vacuum seems not to operate properly, follow the instructions below. If this does not resolve the problem, please contact your repair agent.

Problem	Solution
Motor does not run	Check power cord, plugs and outlet, or battery contact, charging condition of battery
	Ensure the on/off/tool control switch is in the ON position I.
	Remove blockages in the suction nozzle, suction tube, suction hose, float valve or filters.
Suction capacity decreases	Check for proper installation of the filters.
	Clean or replace the filters.
	Empty canister, refer to Empty Tank under Operation.
Vacuum stops running	Thermal overload has been tripped:
	1. Turn the vacuum off and disconnect vacuum cleaner from power source.
	2. Empty the canister, if needed.
	3. Allow the unit to cool.
	4. Plug the power cord into an appropriate outlet or battery into battery port and turn on/off/tool control switch to the ON position I to test. If vacuum will not restart contact your seller or check the location of your nearest authorised DEWALT repair agent in the DEWALT catalogue or contact your DEWALT office at the address indicated in this manual




Problem	Solution
Dust comes out while vacuuming	Check for proper installation of the Filter and dust tank.
	Ensure filter is not damaged; replace if necessary.
	Ensure filter seals are in place and are secure.
	If furthermore dust comes out while vacuuming contact your seller or check the location of your nearest authorised DEWALT repair agent in the DEWALT catalogue or contact your DEWALT office at the address indicated in this manual.


## If Shut-off Feature Engages

1. Turn off the vacuum immediately.
2. Empty the tank as described above.
3. Clean the suction opening filter as described in **Cleaning the Suction Opening Filter**.
4. Remember to put the dust filter in place before resuming work.

## MAINTENANCE

Your DEWALT appliance has been designed to operate over a long period of time with a minimum of maintenance. Continuous satisfactory operation depends upon proper appliance care and regular cleaning.

 **WARNING:** To reduce the risk of injury, turn appliance off and disconnect appliance from power source before installing and removing accessories, before adjusting or changing set-ups or when making repairs. An accidental start-up can cause injury.

 **WARNING:** For user servicing, the machine must be dismantled, cleaned and serviced, as far as is reasonably practicable, without causing risk to the maintenance staff and others. Suitable precautions include, decontamination before dismantling, provision for local filtered exhaust ventilation where the machine is dismantled, cleaning of the maintenance area and suitable personal protection.

- The manufacturer, or an instructed person, shall perform a technical inspection at least annually, consisting of, for example, inspection of filters for damage, air tightness of the machine and proper function of the control mechanism.
- When carrying out service or repair operations, all contaminated items which cannot be satisfactorily cleaned, are to be disposed of; such items shall be disposed of in impervious bags in accordance with any current regulation for the disposal of such waste.
- For dust extractors it is necessary to provide for an adequate air change rate L in the room if the exhaust air is returned to the room.

(NOTE: Reference to National Regulations is necessary.)

The charger and battery pack are not serviceable.





## Lubrication

Your vacuum cleaner requires no additional lubrication.




## Cleaning

 **WARNING:** Cleaning with blowing with compressed air is not allowed for dust class L vacuums. Wear approved eye protection and approved dust mask when performing this procedure.

 **WARNING:** Never use solvents or other harsh chemicals for cleaning the non-metallic parts of the tool. These chemicals may weaken the materials used in these parts. Use a cloth dampened only with water and mild soap. Never let any liquid get inside the tool; never immerse any part of the tool into a liquid.

## Optional Accessories

 **WARNING:** Since accessories, other than those offered by DEWALT, have not been tested with this product, use of such accessories with this tool could be hazardous. To reduce the risk of injury, only DEWALT recommended accessories should be used with this product.

The replacement filter (DCV5801 H) is available as an accessory at additional cost.

Consult your dealer for further information on the appropriate accessories.

## Protecting the Environment



Separate collection. Products and batteries marked with this symbol must not be disposed of with normal household waste.

Products and batteries contain materials that can be recovered or recycled reducing the demand for raw materials. Please recycle electrical products and batteries according to local provisions. Further information is available at [www.2helpU.com](http://www.2helpU.com).

## Rechargeable Battery Pack

This long life battery pack must be recharged when it fails to produce sufficient power on jobs which were easily done before. At the end of its technical life, discard it with due care for our environment:

- Run the battery pack down completely, then remove it from the vacuum cleaner.
- Li-Ion cells are recyclable. Take them to your dealer or a local recycling station. The collected battery packs will be recycled or disposed of properly.

<b>Belgique et Luxembourg België en Luxemburg</b>	DeWALT - Belgium BVBA Egide Walschaertsstraat 16 2800 Mechelen	Tel: NL 32 15 47 37 63 Tel: FR 32 15 47 37 64 Fax: 32 15 47 37 99	www.dewalt.be enduser.BE@SBDinc.com
<b>Danmark</b>	DeWALT Roskildevej 22 2620 Albertslund	Tel: 70 20 15 10 Fax: 70 22 49 10	www.dewalt.dk kundeservice.dk@sbdinc.com
<b>Deutschland</b>	DeWALT Richard Klingler Str. 11 65510 Idstein	Tel: 06126-21-1 Fax: 06126-21-2770	www.dewalt.de infodwge@sbdinc.com
<b>Ελλάδα</b>	DeWALT (Ελλάδα) A.E. ΕΔΡΑ-ΓΡΑΦΕΙΑ : Στρατ.Βουνοσ 7 & Λ. Βουλιαγμένης, Πλυσιόδα 166 74, Αθήνα SERVICE : Ημερος, Τόπος 2 (Χάν Αδάμ) – 193 00 Ασπρόπυργος	Τηλ: 00302108981616 Φαξ: 00302108983570	www.dewalt.gr Greece.Service@sbdinc.com
<b>España</b>	DeWALT Iberica, S.C.A. Parc de Negocios "Mas Blau" Edificio Muntadas, c/Bergadà, 1, Of. A6 08820 El Prat de Llobregat (Barcelona)	Tel: 934 797 400 Fax: 934 797 419	www.dewalt.es respuesta.postventa@sbdinc.com
<b>France</b>	DeWALT 5, allée des Hêtres BP 30084, 69579 Limonest Cedex	Tel: 04 72 20 39 20 Fax: 04 72 20 39 00	www.dewalt.fr scufi@sbdinc.com
<b>Schweiz Suisse Svizzera</b>	DeWALT In der Luberzen 42 8902 Urdorf	Tel: 044 - 755 60 70 Fax: 044 - 730 70 67	www.dewalt.ch service@rofoag.ch
<b>Ireland</b>	DeWALT Calpe House Rock Hill Black Rock, Co. Dublin	Tel: 00353-2781800 Fax: 00353-2781811	www.dewalt.ie
<b>Italia</b>	DeWALT via Energypark 20871 Vimercate (MB), IT	Tel: 800-014353 39 039 9590200 Fax: 39 039 9590313	www.dewalt.it
<b>Nederlands</b>	DeWALT Netherlands BV Holtum Noordweg 35 6121 RE BORN, Postbus 83, 6120 AB BORN	Tel: 31 164 283 063 Fax: 31 164 283 200	www.dewalt.nl
<b>Norge</b>	DeWALT Postboks 4613, Nydalen 0405 Oslo	Tel: 45 25 13 00 Fax: 45 25 08 00	www.dewalt.no kundeservice.no@sbdinc.com
<b>Österreich</b>	DeWALT Werkzeug Vertriebsges m.b.H Oberlaerstrasse 248, A-1230 Wien	Tel: 01 - 66116 - 0 Fax: 01 - 66116 - 614	www.dewalt.at service.austria@sbdinc.com
<b>Portugal</b>	DeWALT Limited, SARL Centro de Escritórios de Sintra Avenida Almirante Gago Coutinho, 132/134, Edifício 14 2710-418 Sintra	Tel: 214 66 75 00 Fax: 214 66 75 80	www.dewalt.pt resposta.posvenda@sbdinc.com
<b>Suomi</b>	DeWALT PL 47 00521 Helsinki	Puh: 010 400 4333 Faksi: 0800 411 340	www.dewalt.fi asiakaspalvelu.fi@sbdinc.com
<b>Sverige</b>	DeWALT Box 94 431 22 Mölndal	Tel: 031 68 61 60 Fax: 031 68 60 08	www.dewalt.se kundservice.se@sbdinc.com
<b>Türkiye</b>	KALE Hırdavat ve Makina A.Ş. Defterdar Mah. Savaklar Cad. No:15 Edimekapı / Eyip / İSTANBUL 34050 TÜRKİYE	Tel: 0212 533 52 55 Faks: 0212 533 10 05	www.dewalt.com.tr
<b>United Kingdom</b>	DeWALT, 210 Bath Road; Slough, Berks SL1 3YD	Tel: 01753-567055 Fax: 01753-572112	www.dewalt.co.uk emeaservice@sbdinc.com
<b>Australia</b>	DeWALT 810 Whitehorse Road Box Hill VIC 3103 Australia	Tel: Aust 1800 338 002 Tel: NZ 0800 339 258	www.dewalt.com.au www.dewalt.co.nz
<b>Middle East Africa</b>	DeWALT P.O. Box - 17164, Jebel Ali Free Zone (South), Dubai, UAE	Tel: 971 4 812 7400 Fax: 971 4 2822765	www.dewalt.ae Service.MEA@sbdinc.com