

**DEWALT®**

www.**DEWALT**.com.cn

**DWD112**

---

English

3

---

中文

9

---

Figure 1

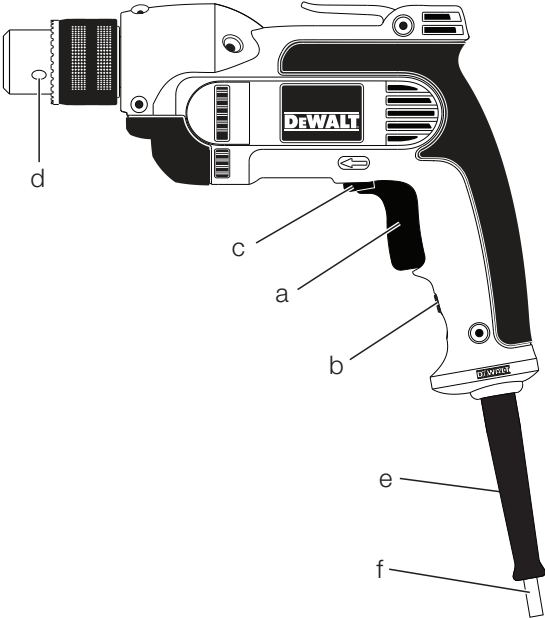


Figure 2

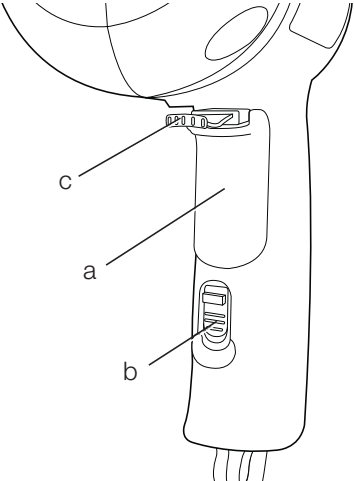


Figure 3

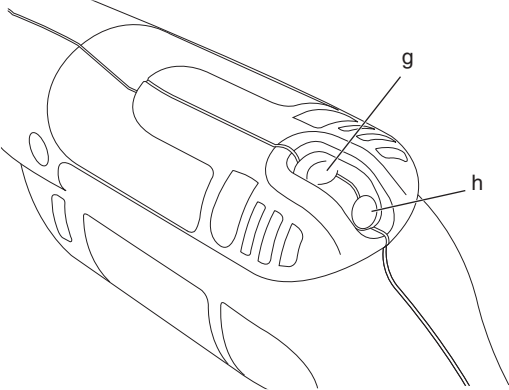


Figure 4

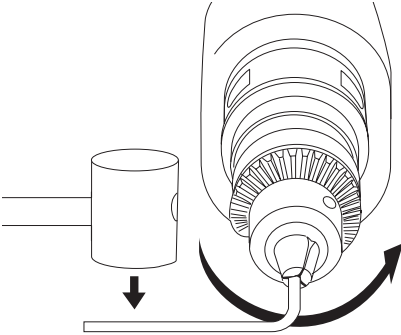
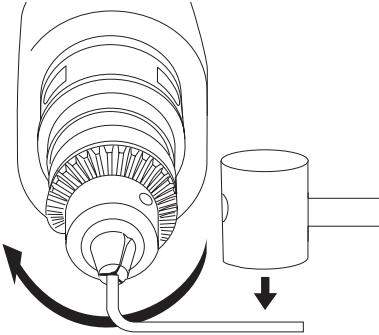


Figure 5





# VARIABLE SPEED REVERSIBLE DRILL

## DWD112

### Congratulations!

You have chosen a DEWALT tool. Years of experience, thorough product development and innovation make DEWALT one of the most reliable partners for professional power tool users.

### Technical data

		DWD112	
Voltage	V	220	
Power input	W	600	
No load speed	min <sup>-1</sup>	0-2,500	
Maximum drilling range			
	steel/wood	mm	13/25
Torque	Nm	10.9	
Chuck spindle			
thread size	UNF	1/2"x20	
Maximum chuck			
capacity	mm	13	
Weight	kg	1.9	
$L_{pA}$ (sound pressure)	dB(A)	83	
$K_{pA}$ (sound pressure uncertainty)	dB(A)	3	
$L_{WA}$ (acoustic power)	dB(A)	94	
$K_{WA}$ (acoustic power uncertainty)	dB(A)	3	

Vibration total values (triax vector sum) determined according to EN 60745:

Vibration emission value ah

Screwdriving without Impact

$a_{hD} =$	m/s <sup>2</sup>	13	13	13
Uncertainty K =	m/s <sup>2</sup>	1.5	1.5	1.5

The vibration emission level given in this information sheet has been measured in accordance with a standardised test given in EN 60745 and may be used to compare one tool with another. It may be used for a preliminary assessment of exposure.



**WARNING:** The declared vibration emission level represents the main applications of the tool. However if the tool is used for different applications, with different accessories or poorly

maintained, the vibration emission may differ. This may significantly increase the exposure level over the total working period.

An estimation of the level of exposure to vibration should also take into account the times when the tool is switched off or when it is running but not actually doing the job. This may significantly reduce the exposure level over the total working period.

Identify additional safety measures to protect the operator from the effects of vibration such as: maintain the tool and the accessories, keep the hands warm, and organisation of work patterns.

### Fuses:

China	220 V tools	10 Amperes, mains
-------	-------------	-------------------

### Definitions: Safety Guidelines

The definitions below describe the level of severity for each signal word. Please read the manual and pay attention to these symbols.



**DANGER:** Indicates an imminently hazardous situation which, if not avoided, will result in **death or serious injury**.



**WARNING:** Indicates a potentially hazardous situation which, if not avoided, **could** result in **death or serious injury**.



**CAUTION:** Indicates a potentially hazardous situation which, if not avoided, **may** result in **minor or moderate injury**.

**CAUTION:** Used without the safety alert symbol indicates a potentially hazardous situation which, if not avoided, **may** result in **property damage**.



Denotes risk of electric shock.



Denotes risk of fire.



**WARNING:** To reduce the risk of injury, read the instruction manual.

## General Power Tool Safety Warnings



**WARNING!** Read all safety warnings and instructions. Failure to follow the warnings and instructions may result in electric shock, fire and/or serious injury.

### SAVE ALL WARNINGS AND INSTRUCTIONS FOR FUTURE REFERENCE

The term "power tool" in the warnings refers to your mains-operated (corded) power tool or battery-operated (cordless) power tool.

#### 1) WORK AREA SAFETY

- a) **Keep work area clean and well lit.** Cluttered or dark areas invite accidents.
- b) **Do not operate power tools in explosive atmospheres, such as in the presence of flammable liquids, gases or dust.** Power tools create sparks which may ignite the dust or fumes.
- c) **Keep children and bystanders away while operating a power tool.** Distractions can cause you to lose control.

#### 2) ELECTRICAL SAFETY

- a) **Power tool plugs must match the outlet. Never modify the plug in any way. Do not use any adapter plugs with earthed (grounded) power tools.** Unmodified plugs and matching outlets will reduce risk of electric shock.
- b) **Avoid body contact with earthed or grounded surfaces such as pipes, radiators, ranges and refrigerators.** There is an increased risk of electric shock if your body is earthed or grounded.
- c) **Do not expose power tools to rain or wet conditions.** Water entering a power tool will increase the risk of electric shock.
- d) **Do not abuse the cord. Never use the cord for carrying, pulling or unplugging the power tool. Keep cord away from heat, oil, sharp edges or moving parts.** Damaged or entangled cords increase the risk of electric shock.
- e) **When operating a power tool outdoors, use an extension cord suitable for outdoor use.** Use of a cord suitable for outdoor use reduces the risk of electric shock.
- f) **If operating a power tool in a damp location is unavoidable, use a residual current device (RCD) protected supply.** Use of an RCD reduces the risk of electric shock.

#### 3) PERSONAL SAFETY

- a) **Stay alert, watch what you are doing and use common sense when operating a power tool. Do not use a power tool while you are tired or under the influence of drugs, alcohol or medication.** A moment of inattention while operating power tools may result in serious personal injury.
- b) **Use personal protective equipment. Always wear eye protection.** Protective equipment such as dust mask, non-skid safety shoes, hard hat, or hearing protection used for appropriate conditions will reduce personal injuries.
- c) **Prevent unintentional starting. Ensure the switch is in the off position before connecting to power source and/or battery pack, picking up or carrying the tool.** Carrying power tools with your finger on the switch or energising power tools that have the switch on invites accidents.
- d) **Remove any adjusting key or wrench before turning the power tool on.** A wrench or a key left attached to a rotating part of the power tool may result in personal injury.
- e) **Do not overreach. Keep proper footing and balance at all times.** This enables better control of the power tool in unexpected situations.
- f) **Dress properly. Do not wear loose clothing or jewellery. Keep your hair, clothing and gloves away from moving parts.** Loose clothes, jewellery or long hair can be caught in moving parts.
- g) **If devices are provided for the connection of dust extraction and collection facilities, ensure these are connected and properly used.** Use of dust collection can reduce dust-related hazards.

#### 4) POWER TOOL USE AND CARE

- a) **Do not force the power tool. Use the correct power tool for your application.** The correct power tool will do the job better and safer at the rate for which it was designed.
- b) **Do not use the power tool if the switch does not turn it on and off.** Any power tool that cannot be controlled with the switch is dangerous and must be repaired.

- c) **Disconnect the plug from the power source and/or the battery pack from the power tool before making any adjustments, changing accessories, or storing power tools.** Such preventive safety measures reduce the risk of starting the power tool accidentally.
- d) **Store idle power tools out of the reach of children and do not allow persons unfamiliar with the power tool or these instructions to operate the power tool.** Power tools are dangerous in the hands of untrained users.
- e) **Maintain power tools. Check for misalignment or binding of moving parts, breakage of parts and any other condition that may affect the power tool's operation. If damaged, have the power tool repaired before use.** Many accidents are caused by poorly maintained power tools.
- f) **Keep cutting tools sharp and clean.** Properly maintained cutting tools with sharp cutting edges are less likely to bind and are easier to control.
- g) **Use the power tool, accessories and tool bits etc., in accordance with these instructions taking into account the working conditions and the work to be performed.** Use of the power tool for operations different from those intended could result in a hazardous situation.

## 5) SERVICE

- a) **Have your power tool serviced by a qualified repair person using only identical replacement parts.** This will ensure that the safety of the power tool is maintained.

## Additional Specific Safety Rules for Drills

- **Wear ear protectors.** Exposure to noise can cause hearing loss.
- **Use auxiliary handles supplied with the tool.** Loss of control can cause personal injury.
- **Hold power tool by insulated gripping surfaces only, when performing an operation where the cutting accessory may contact hidden wiring or its own cord.** Cutting accessory contacting a "live"

wire may make exposed metal parts of the power tool "live" and shock the operator.

- **Use clamps or other practical way to secure and support the workpiece to a stable platform.** Holding the work by hand or against your body is unstable and may lead to loss of control.
- **Wear safety goggles or other eye protection.** Drilling operations cause chips to fly. Flying particles can cause permanent eye damage.
- **Bits and tools get hot during operation.** Wear gloves when touching them.
- **Keep handles dry, clean, free from oil and grease. It is recommended to use rubber gloves.** This will enable better control of the tool.

## Residual Risks

In spite of the application of the relevant safety regulations and the implementation of safety devices, certain residual risks cannot be avoided. These are:

- Impairment of hearing
- Risk of personal injury due flying particles.
- Risk of burns due to accessories becoming hot during operation.
- Risk of personal injury due to prolonged use.

## Markings on tool

The following pictograms are shown on the tool:



Read instruction manual before use.

## DATE CODE POSITION

Date Code, which also includes the year of manufacture, is printed into the housing surface.

Example:

2008 XX XX  
Year of Manufacture

## Package Contents

The package contains:

- 1 Drill
- 1 Chuck key (DWD112)
- 1 Instruction manual

- Check for damage to the tool, parts or accessories which may have occurred during transport.
- Take the time to thoroughly read and understand this manual prior to operation.

## Description (fig. 1)



**WARNING:** Never modify the power tool or any part of it. Damage or personal injury could result.

- a. Variable speed trigger switch
- b. Lock-on button
- c. Forward/reverse button
- d. Chuck
- e. Cord protector
- f. Cord set

### INTENDED USE

These heavy-duty V.S.R. drills are designed for professional drilling.

**DO NOT** use under wet conditions or in presence of flammable liquids or gases.

These heavy-duty drills are professional power tools.

**DO NOT** let children come into contact with the tool. Supervision is required when inexperienced operators use this tool.

## Electrical Safety

The electric motor has been designed for one voltage only. Always check that the power supply corresponds to the voltage on the rating plate.



Your DEWALT power tool is double insulated in accordance with EN 60745; therefore no earth wire is required.

If the supply cord is damaged, it must be replaced by a specially prepared cord available through the DEWALT service organization.



**WARNING: NEVER** use a light socket. **NEVER** connect the live (L) or neutral (N) wires to the earth pin marked E or  $\perp$ .

## Using an Extension Cable

An extension cord should not be used unless absolutely necessary. Use an approved extension cable suitable for the power input of your charger (see technical data). The minimum conductor size is 1 mm<sup>2</sup>; the maximum length is 30 m.

Also refer to the table below.

Conductor size (mm <sup>2</sup> )	Cable rating (Amperes)						
0.75	6						
1.00	10						
1.50	15						
2.50	20						
4.00	25						
Cable length (m)							
	7.5	15	25	30	45	60	
Voltage	Amperes	Cable rating (Amperes)					
220-240	0 – 2.0	6	6	6	6	6	6
	2.1 – 3.4	6	6	6	6	6	6
	3.5 – 5.0	6	6	6	6	10	15
	5.1 – 7.0	10	10	10	10	15	15
	7.1 – 12.0	15	15	15	15	20	20
	12.1 – 20.0	20	20	20	20	25	–

When using a cable reel, always unwind the cable completely.

## ASSEMBLY AND ADJUSTMENTS



**WARNING:** To reduce the risk of injury, turn unit off and disconnect machine from power source before installing and removing accessories, before adjusting or changing set-ups or when making repairs. Be sure the trigger switch is in the OFF position. An accidental start-up can cause injury.

## OPERATION

### Instructions for Use



**WARNING:** Always observe the safety instructions and applicable regulations.

### Switches (fig. 1, 2)

To start the drill, depress the trigger switch; to stop the drill, release the trigger.

A variable speed trigger switch (a) permits speed control—the farther the trigger is depressed, the higher the speed of the drill.

For continuous operation, press and hold the variable speed switch, move the lock-on button (b) up, then release the switch.

**NOTE:** Use lower speeds for starting holes without a center punch, drilling in metal or plastics, driving screws or drilling ceramics. Higher speeds are better for drilling wood and composition boards and using abrasive and polishing accessories.

The forward/reverse lever (c) is used for withdrawing bits from tight holes and removing screws. It is located above the trigger switch. To reverse the motor, release the trigger switch FIRST and then push the lever to the right. After any reversing operations, return lever to forward position.

To stop continuous operation, press the switch briefly and release it. Always switch the tool off when work is finished and before unplugging.

### Drilling



**WARNING:** To reduce the risk of personal injury, ALWAYS ensure workpiece is anchored or clamped firmly. If drilling thin material, use a wood “back-up” block to prevent damage to the material.

1. Use sharp drill bits only. For WOOD, use twist drill bits, spade bits, power auger bits, or hole saws. For METAL, use steel twist drill bits or hole saws.
2. Always apply pressure in a straight line with the bit. Use enough pressure to keep drill biting, but do not push hard enough to stall the motor or deflect the bit.
3. Hold tool firmly with both hands to control the twisting action of the drill.
4. **IF DRILL STALLS**, it is usually because it is being overloaded or improperly used. **RELEASE TRIGGER IMMEDIATELY**, remove drill bit from work, and determine cause of stalling. **DO NOT CLICK TRIGGER ON**

### AND OFF IN AN ATTEMPT TO START A STALLED DRILL — THIS CAN DAMAGE THE DRILL.

5. To minimize stalling or breaking through the material, reduce pressure on drill and ease the bit through the last fractional part of the hole.
6. Keep the motor running when pulling the bit back out of a drilled hole. This will help prevent jamming.
7. With variable speed drills there is no need to center punch the point to be drilled. Use a slow speed to start the hole and accelerate by squeezing the trigger harder when the hole is deep enough to drill without the bit skipping out.

### DRILLING IN METAL

Start drilling with slow speed and increase to full power while applying firm pressure on the tool. A smooth even flow of metal chips indicates the proper drilling rate. Use a cutting lubricant when drilling metals. The exceptions are cast iron and brass which should be drilled dry.

**NOTE:** Large [5/16" (8 mm) to 1/2" (13 mm)] holes in steel can be made easier if a pilot hole [5/32" (4 mm) to 3/16" (5 mm)] is drilled first.

### DRILLING IN WOOD

Start drilling with slow speed and increase to full power while applying firm pressure on the tool. Holes in wood can be made with the same twist drills used for metal. These bits may overheat unless pulled out frequently to clear chips from the flutes. Work that is apt to splinter should be backed up with a block of wood.

### Bubble Level (Fig. 3)

Your drill is equipped with a bubble level (g) that assists you in drilling level holes. For horizontal drilling, tilt the drill up or down as required so that the bubble floats in the center of the parallel lines drawn on the glass. When the bubble is centered between the lines, the drill is level. For vertical drilling, align the drill so that the bubble floats in the center of the bull's-eye (h). To assure accuracy, first place a level on your work piece and position it so that it is level. Then, when the drill reads level, the two will be aligned. (Any bubble level can only indicate level to the earth's surface).

**NOTE:** The fluid in the bubble level vial is mineral spirits. If the mineral spirits gets into your eyes, flush eyes with water. If irritation occurs, seek medical attention. If the vial fluid comes into contact with your skin, remove contaminated clothing and remove excess fluid. Rinse thoroughly with water followed by washing with soap and water. If irritation occurs, seek medical attention. If vial fluid is inhaled, immediately get fresh air. If difficulty breathing, seek medical attention.

## Keyed Chuck (fig. 4, 5)

The DVD112 features a keyed chuck (d). To insert a drill bit or other accessory, follow the steps listed below.

1. Open the chuck jaws by turning collar by hand and insert the shank of the bit about 3/4" (19 mm) into chuck. Tighten the chuck collar by hand.
2. Place chuck key in each of the three holes, and tighten in clockwise direction. It's important to tighten chuck with all three holes.

To release the bit, turn the chuck counterclockwise in just one hole, then loosen the chuck by hand.

### REMOVAL OF KEYED CHUCK (FIG. 4)

Tighten the chuck around the shorter end of a hex key (not supplied) of 1/4" (6 mm) or greater size. Using a soft hammer, strike the key sharply in the counterclockwise direction when viewed from the front of the tool. This will loosen the chuck so that it can be removed by hand.

### KEYED CHUCK INSTALLATION (FIG. 5)

Screw the chuck on by hand as far as it will go. Insert the shorter end of a hex key (not supplied) of 1/4" (6 mm) or greater size and strike it in the clockwise direction with a soft hammer.

## MAINTENANCE

Your DEWALT power tool has been designed to operate over a long period of time with a minimum of maintenance. Continuous satisfactory operation depends upon proper tool care and regular cleaning.



**WARNING:** To reduce the risk of injury, turn unit off and disconnect machine from power source before installing and removing accessories, before adjusting or changing set-ups or when making repairs. Be sure the trigger switch is in the OFF position. An accidental start-up can cause injury.

## Motor Brushes

DEWALT uses an advanced brush system which automatically stops the drill when the brushes wear out. This prevents serious damage to the motor. New brush assemblies are available at authorized DEWALT service centers. Always use identical replacement parts.



## Lubrication

Your power tool requires no additional lubrication.



## Cleaning



**WARNING:** Blow dirt and dust out of the main housing with dry air as often as dirt is seen collecting in and around the air vents. Wear approved eye protection and approved dust mask when performing this procedure.



**WARNING:** Never use solvents or other harsh chemicals for cleaning the non-metallic parts of the tool. These chemicals may weaken the materials used in these parts. Use a cloth dampened only with water and mild soap. Never let any liquid get inside the tool; never immerse any part of the tool into a liquid.

## Optional Accessories



**WARNING:** Since accessories, other than those offered by DEWALT, have not been tested with this product, use of such accessories with this tool could be hazardous. To reduce the risk of injury, only DEWALT, recommended accessories should be used with this product.

Consult your dealer for further information on the appropriate accessories.



**CAUTION:** To reduce the risk of injury, the following accessories should be used only in sizes up to the maximums shown in the table below.

### MAXIMUM RECOMMENDED CAPACITIES

Drill capacity	1/2" (13 mm)
R.P.M.	0-2,500
Bits, metal drilling	1/2" (13 mm)
Wood, flat boring	1" (25.4 mm)
Hole saws	1-1/8" (28.4 mm)

# DWD112 型变速正反转电钻

## 祝贺您!

您已选择了得伟工具。凭借多年的经验和在产品开发与创新方面的不断努力，得伟已经成为专业电动工具用户的最可靠伙伴之一。

## 技术参数

DWD112		
电压	伏特	220
功率输入	瓦特	600
空载速度	转/分	0-2,500
钢材/木材中最大钻孔	毫米	13/25
扭矩	牛顿/米	10.9
夹头轴螺纹尺寸	UNF	1/2"x20
夹头最大容量	毫米	13
重量	千克	1.9
<hr/>		
L <sub>PA</sub> (声压)	分贝	83
K <sub>PA</sub> (声压不确定性)	分贝	3
L <sub>WA</sub> (声功率)	分贝	94
K <sub>WA</sub> (声功率不确定性)	分贝	3

依据EN60745确定总振动值（三轴矢量和）：

无冲击拧螺丝时的振动释放值ah

a <sub>hD</sub> =	米/秒 <sup>2</sup> 秒	13	13	13
Uncertainty K =	米/秒 <sup>2</sup> 秒	1.5	1.5	1.5

本数据表中的振动释放水平依据EN60745规定的标准试验确定，可在工具之间进行比较，也可用于对振动影响的初步评估。



**警告：**所示振动释放水平适用于工具主要用途。如果用于其它用途、使用其它配件或维护不良的情况下，工具的振动水平会有所不同。整个工作期限内的振动影响程度会因此升高。

评估振动影响程度时，还须考虑工具关闭或空转的时间。这可能大大降低整个工作时间内振动影响水平。

确定其它安全措施，保护使用人员免受振动伤害，例如：维护工具和配件、给双手保暖、合理安排工作形式。

## 保险丝:

中国 220伏工具 电源10安培

## 定义：安全准则

下列定义解释了各标志术语的严重程度。请仔细阅读本手册并注意这些标志。



**危险：**表示紧急的危险情形，如不加以阻止，将导致死亡或严重伤害。



**警告：**表示潜在的危险情形，如不加以阻止，可能导致死亡或严重伤害。



**注意：**表示潜在的危险情形，如不加以阻止，可能导致轻度或中度伤害。

**注意：**（不带安全警示标志）：表示潜在的危险情形，如不加以阻止，可能导致财产损失。



表示有触电危险。



表示火灾危险



**警告：**为降低伤害风险，请仔细阅读手册内容。

## 电动工具一般安全警示



**警告！**请阅读所有安全警告与准则。如未遵守本手册中的警告与规定，可能导致触电、火灾和/或严重伤害。

### 请保存好所有警示和规定，以备将来查阅。

警示中的术语“电动工具”是指电源驱动（有线）电动工具，或者电池驱动（无线）电动工具。

#### 1. 工作场地安全

- a) **保持工作区域清洁、明亮。**混乱或昏暗的场地会引发事故。
- b) **不要在易燃液体、气体或粉尘等存在的易爆环境中操作电动工具。**电动工具产生的火花会点燃粉尘或气体。
- c) **让儿童和旁观者离开后操纵电动工具。**分心会使你放松控制。



## 2. 电气安全

- a) 电动工具的插头必须与插座相配。切勿以任何方式改装插头。需接地的电动工具不能使用任何转换插头。未经改装的插头和匹配的插座将减少触电危险。
- b) 避免人体接触接地表面，如管道、散热片、炉灶和冰箱等。如果你身体接地会增加触电危险。
- c) 不得将电动工具暴露在雨中或潮湿环境中。水进入电动工具将增加触电风险。
- d) 不得滥用电源线。绝不能使用电源线搬运、拉动电动工具或拔出其插头。让电线远离热、油、锐边或运动部件。受损或缠绕的电线会增加触电危险。
- e) 当在户外使用电动工具时，使用适合户外使用的外接电线。适合户外使用的电线将减少触电危险。
- f) 如果必须在潮湿场合使用电动工具，请使用漏电保护器（RCD）。使用RCD可降低触电风险。

## 3. 人身安全

- a) 保持警觉。当操作电动工具时，关注所从事的操作并保持清醒。请勿在疲倦、药物、酒精或治疗反应的情况下操作电动工具。在操作电动工具时，一旦精力分散，就可能造成严重的人身伤害。
- b) 使用安全装置。始终佩戴护目镜。安全装置，诸如适当条件下的防尘面具、防滑安全鞋、安全帽、或听力防护等装置能减少人身伤害。
- c) 避免意外启动。连接电源和/或电池组、拿起或搬动电动工具之前，请确保开关处于off（关断）位置。手指放在开关上搬运工具，或开关处于接通状态时插入插头均可引发危险。
- d) 在电动工具接通之前，取下所有调整键或扳手。遗留在电动工具旋转零件上的扳手或键会造成人身伤害。
- e) 手不要伸的太长。时刻注意立足点和身体平衡。这样在意外情况下才能更好地控制电动工具。
- f) 着装适当。不要穿宽松衣服或佩戴饰品。让你的头发、衣服和手套远离运动部件。宽松衣服、配饰或长发可能会卷入运动部件。
- g) 如果提供了与排屑装置、除尘设备连接用的装置，请确保他们连接完好且使用得当。使用这些装置可减少粉尘引起的危险。

## 4. 电动工具使用以及注意事项

- a) 不要勉强使用电动工具。根据用途选用适当的电动工具。合适的电动工具能够在设计功率下，更为出色、安全地运行。
- b) 工具开关不能接通或关断电源时，请勿使用工具。开关失控的电动工具是危险的，必须修理。
- c) 在进行任何调节、更换附件或存放工具之前，必须从电源上拔掉插头和/或取下电池组。这种防护性措施将降低电动工具意外启动的风险。
- d) 将闲置的电动工具存放在儿童所及范围之外，并且不要让不熟悉电动工具或对这些使用须知不了解的人操作电动工具。电动工具在未经培训的用户手中会发生危险。

- e) 保养电动工具。检查运动部件是否对正或卡住，检查零件破损情况以及是否存在影响电动工具运行的其它情况。如有损坏，必须在使用前修理电动工具。许多事故原因都是工具维护不良。
  - f) 保持刀具锋利和清洁。保养良好、切削锋利的刀具不易卡住而且更易于控制。
  - g) 按照使用说明书以及具体工具型号所要求的方式，以及作业条件和性质，使用电动工具、配件和工具刀头等。电动工具用于设计之外的目的时，可能发生危险。
- ## 5. 维修
- a) 本电动工具必须由合格的维护人员维修，并采用相同的备件。这将确保电动工具的安全性。

## 电钻附加安全细则

- 请佩戴听力保护器。噪音会损伤听力。
- 请使用随钻提供的辅助手柄。工具失控会导致人身伤害。
- 钻具可能接触隐藏的电线或工具本身的电源线时，请仅仅握住绝缘手柄表面。钻具如果接触到“带电”导线，工具金属部件表面就会“带电”并使操作人员触电。
- 使用夹具或采取其它可行的方法，将工件固定、支撑到稳定的平台上。手持或使用身体顶住工件都是不稳定的，会导致操作失控。
- 请佩戴安全护目镜或其它护目装备。钻孔会导致飞散的碎片。飞扬的颗粒会造成眼睛永久性伤害。
- 钻头和工具会在使用过程中发热。接触时请佩戴手套。
- 请保持手柄干燥、清洁，无油或油脂。建议使用橡胶手套。这样能够提高工具的操作性。

## 残余风险

尽管遵守相关安全规章并采用安全装备，一些残余风险是不可避免的，它们是：

- 听力损伤
- 飞散颗粒的人身伤害风险
- 使用时配件发热导致的灼伤风险
- 长时间使用导致的人身伤害风险

## 工具上的标识

本工具有下列图形：



使用前阅读使用手册

## 日期码的位置

包含制造年份的日期码印在工具外壳上。

例如：

2008 XX XX  
制造年份



## 套装内容

本包装含有：  
电钻1台  
夹头钥匙1支（DWD112）  
使用说明书一本

- 检查工具、部件或配件是否在运输过程中损坏。
- 使用前，请抽空彻底阅读并掌握本手册内容。

## 说明(图1)



**警告：**切勿修改本工具或其任何部件。否则，可能造成人身伤害或工具损坏。

- 调速开关
- 锁定按钮
- 正/反转拨杆
- 夹头
- 电源线护套
- 电源线

## 预期用途

本重载、可变速、正反转电钻是为专业钻孔设计的。  
**禁止**在潮湿或存在易燃液体、气体的环境中使用本工具。  
本重载电钻是专业型电动工具。  
**禁止**儿童接触本工具。无使用经验的人必须在监督下使用。

## 电气安全

电动马达仅设计为一种电压。请务必检查电源电压是否与铭牌一致。



您的得伟电动工具依据EN60745进行双重绝缘，因此无须接地线。

如果电源线损坏，必须采用得伟维修机构提供的专用线。



**警告：禁止**使用照明电源插座。  
**禁止**将火线（L）或零线（N）接到标志为 E 或  $\perp$  的接地极上。

## 延长线的使用

除非绝对必要，否则请勿使用延长线。请使用与功率输入（见技术数据）匹配的、经过认证的延长线；最小导体尺寸为1mm<sup>2</sup>，最大长度为30米。  
此外，还可参考下表：

导体尺寸 (mm <sup>2</sup> )		导线标称值 (安培)					
0.75		6					
1.00		10					
1.50		15					
2.50		20					
4.00		25					
线缆长度 (米)							
		7.5	15	25	30	45	60
电压	安培	线缆标称值 (安培)					
220-240	0-2.0	6	6	6	6	6	6
	2.1-3.4	6	6	6	6	6	6
	3.5-5.0	6	6	6	6	10	15
	5.1-7.0	10	10	10	10	15	15
	7.1-12.0	15	15	15	15	20	20
	12.1-20.0	20	20	20	20	25	-

使用电缆卷筒时，请始终保持电缆完全展开。

## 组装与调整



**警告：**为降低人身伤害的风险，在拆、装配件或调整、修理工具之前，请关闭工具并拔下工具插头。请确保触发开关处于OFF位置。意外启动容易造成人身伤害。

## 操作

### 使用说明



**警告：**请始终遵守安全守则以及适用法规的要求。

### 开关 (图1、2)

要启动电钻，按下触发开关即可；要使工具停止，松开开关即可。

调速开关（a）可以控制速度——按下越多，电钻的速度越快。

要使工具不间断运行，按下变速开关不要松开，同时，上移锁定按钮（b），然后松开开关。

**注意：**在金属、塑料上钻孔，或拧螺丝、钻陶瓷时，在没有中心孔的情况下，在开始阶段使用较低的速度钻孔。在木材或复合板上钻孔，或使用研磨抛光配件时，高速的效果较好。

正/反转拨杆（c）用于从紧密的孔中退出钻头，或用来拆卸螺丝。其位置在触发开关的上方。要使马达反转，首先松开触发开关，然后右推拨杆。反转操作完毕后，请将拨杆恢复到正转位置。

要停止连续运行状态，短暂按下并松开开关。在工作完毕、拔下工具插头之前，请务必关闭工具开关。

## 钻孔



**警告：为降低人身伤害风险**，请始终牢固锚定或夹紧工件。如果在较薄材料上钻孔，请使用“垫板”防止损坏材料。

1. 切记使用锋利的钻头。钻木材时，应使用麻花钻头、扁钻头、机械螺旋钻头或孔锯。钻**金属**时，使用钢麻花钻头或孔锯。
2. 用力方向始终与钻头成一直线。请施加足够大的压力，保证钻进所需，但不要大到马达失速或钻头倾斜。
3. 请双手紧握电钻，控制电钻的扭转效应。
4. **如果电钻失速**，常常是由于过载或使用不当。**请立即松开触发开关**，从工件上退出钻头，查找失速的原因。**切勿试图通过按下——松开触发开关来启动失速的电钻——这会损坏电钻。**
5. 为尽量减少失速故障，避免钻头在材料中折断，请降低对电钻的压力，使钻头从孔的最后部分中缓和下来。
6. 从成孔中拉出钻头时，请保持马达运转。这有助于防止卡死。
7. 使用变速电钻时，无须中心孔定位。启动时采用较低速度，当钻深足以防止跳钻时，加力挤压调速开关，使电钻加速。

### 在金属材料上钻孔

开始钻孔时，采用较低速度；对工具坚定用力时，请增至全功率。如果金属屑平滑、均匀的流出，则表明钻孔速度适当。在金属上钻孔时，请使用切削润滑油。但铸铁和黄铜材料例外，应干钻。

**注意：**在钢材上钻大孔[5/16"（8毫米）至1/2"（13毫米）]时，如果首先钻先导孔[5/32"（4毫米）至3/16"（5毫米）]，则比较容易进行。

### 在木材上钻孔

开始钻孔时，采用较低速度；当工具坚定用力时，请增至全功率。木材钻孔可以使用和钢材钻孔一样的麻花钻头。这些钻头会过热，除非你不断拔出钻头来清理钻屑。易碎裂材料应垫上木块。

### 气泡水平仪（图3）

本电钻配有气泡水平仪（9），以协助水平钻孔。水平钻孔时，请上下倾斜电钻，使气泡浮动到玻璃上平行刻度线的中心。一旦气泡处于线中心位置，电钻即保持水平。垂直钻孔时，校直电钻，使气泡浮动到“牛眼”（h）中心。为了确保精确度，首先在工件上放置水准仪并定位，使其保持水平。这样，电钻显示水平时，两者应对正。（任何气泡水平仪仅能指示对地球表面的水平度）。

**注意：**气泡水平仪管中的液体是矿油精。如果矿油精进入你的眼睛，请用水冲洗。如果产生刺激感，请即就医。如果皮肤接触管中液体，请脱下污染衣服并清理残余液体。请用水彻底清洗，然后使用肥皂和水清洗。如果吸入管中液体，请立即呼吸新鲜空气。如果发生呼吸困难，请即就医。

### 带匙夹头（图4、5）

DWD112电钻采用带匙夹头（d）。如安装钻头或其它配件，请按下列步骤进行。

1. 用手转动轴环，打开夹头钳口。然后插入钻头约3/4"（19毫米）。用手紧固夹头轴环。
2. 将夹头钥匙依次插入三个孔中，顺时针紧固。通过所有三个孔紧固夹头，这一点十分重要。

要松开钻头，仅在一个孔中逆时针旋转夹头即可，然后用手松开夹头。

### 带匙夹头的拆卸（图4）

把1/4"（6毫米）或更大尺寸六角扳手（未提供）的短端紧固到夹头内。使用软锤，在工具前视图的逆时针方向，用力击打扳手柄。这会松开夹头，可以用手取下。

### 带匙夹头的安装（图5）

用手将夹头尽可能旋入。把1/4"（6毫米）或更大尺寸六角扳手（未提供）的短端紧固到夹头内。使用软锤朝顺时针方向，用力击打扳手柄。

## 维护

您的得伟电动工具设计精良，可以长期使用，仅需极少维护。要连续获得令人满意的工作效果，需要您做合适的保养和定期的清洁。



**警告：为降低人身伤害的风险**，在拆、装配件或调整、修理工具之前，请关闭工具并拔下工具插头。请确保触发开关处于OFF位置。意外启动容易造成人身伤害。

## 马达电刷

得伟采用先进的电刷系统，当电刷磨损时，能够自动关闭工具。这可以防止严重损坏马达。在得伟授权的维修中心，可以提供新电刷组件。请务必使用相同的备件。



## 润滑

本电动工具无须另行润滑。



## 清洁



**警告：**一旦通风口及其周围积聚可见的粉尘，请立即用干燥的压缩空气吹走主机外壳内的粉尘和灰尘。进行这一步骤时，请佩戴经认可的护目装备和认可的面罩。



**警告：**切勿使用溶剂或其它刺激性化学品来清洁工具的非金属部件。这些化学品可能削弱零件中使用的材料。只能使用抹布蘸中性肥皂水进行清洁。勿使任何液体进入工具；勿使工具的任何部分浸入液体中。

## 配件的选择



**警告：**由于非得伟配件未经本产品匹配测试，本工具若使用此类配件，将存在隐患。为降低人身伤害风险，本产品仅可使用得伟推荐的配件。

请向零售商仔细合适配件的更多信息。



**注意：**为降低人身伤害风险，下列配件的使用不超过表中所示的最大尺寸：

### 最大性能建议

电钻性能	1/2" (13 毫米)
转/分钟	0-2,500
金属钻孔钻头	1/2" (13 毫米)
木材平钻	1" (25.4 毫米)
孔锯	1-1/8" (28.4 毫米)

制造商：百得美国公司

地址：美国

产地：苏州工业园区苏虹中路200号出口加工区

