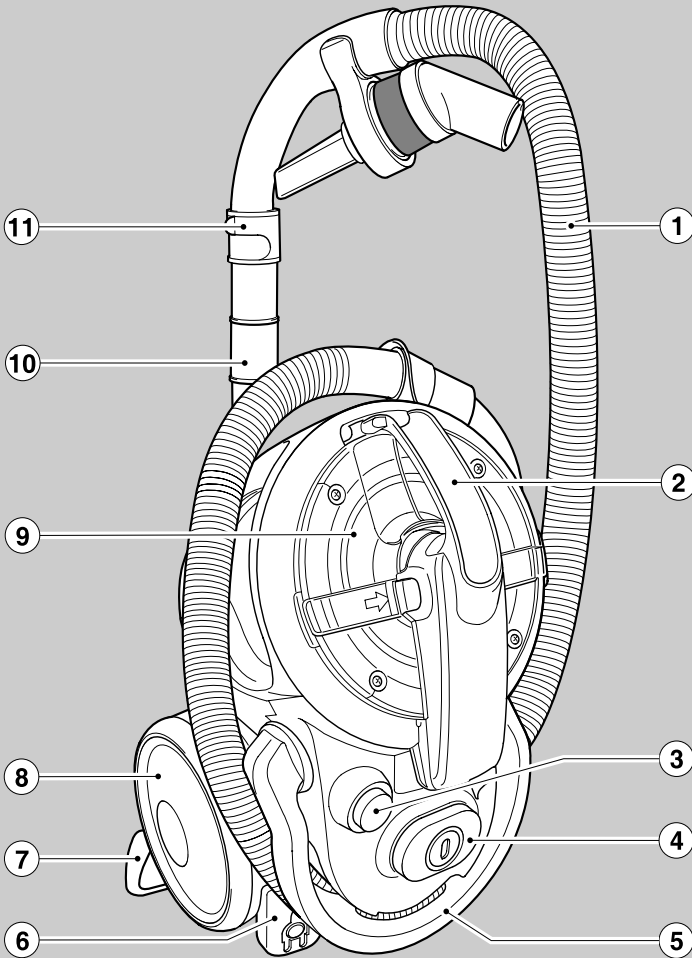


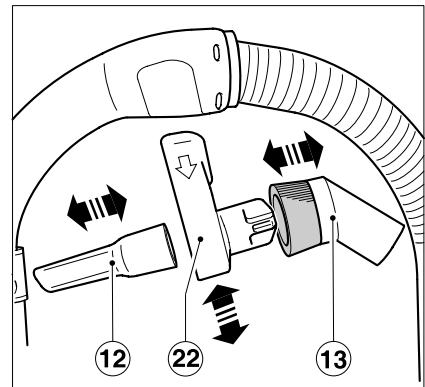
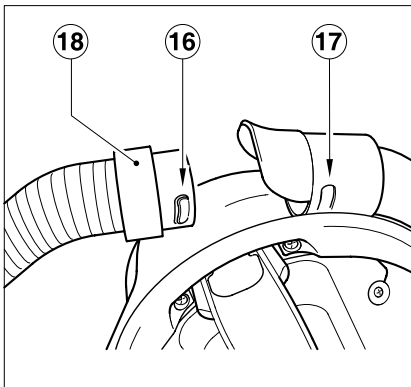
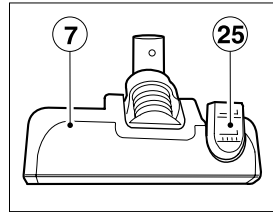
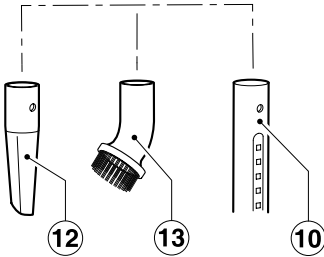
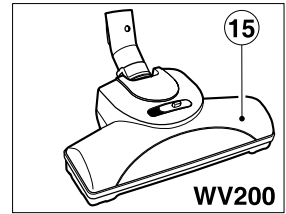
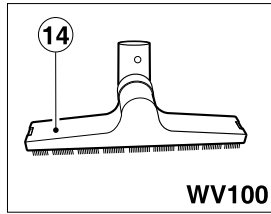
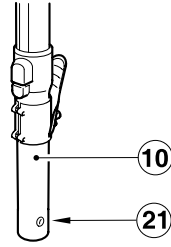
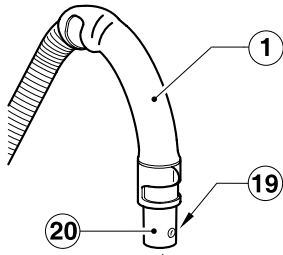


BLACK & DECKER®

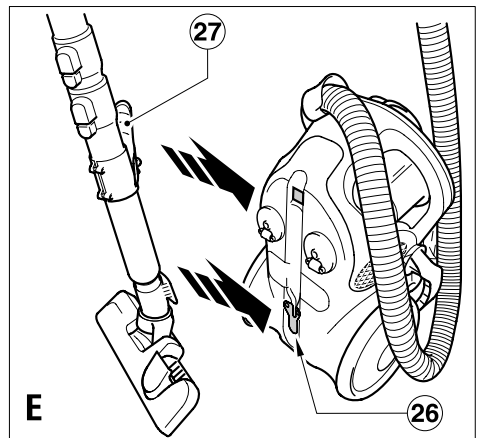
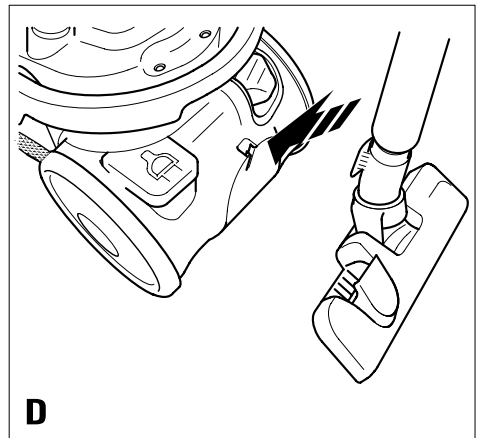
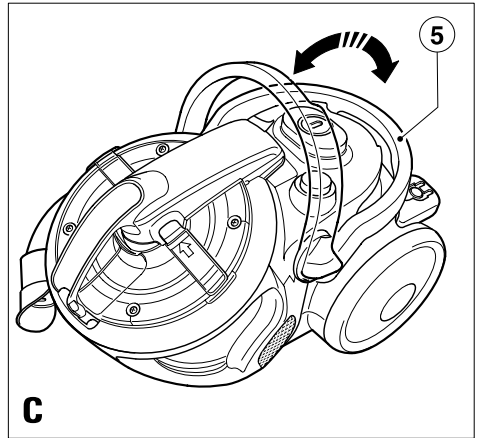
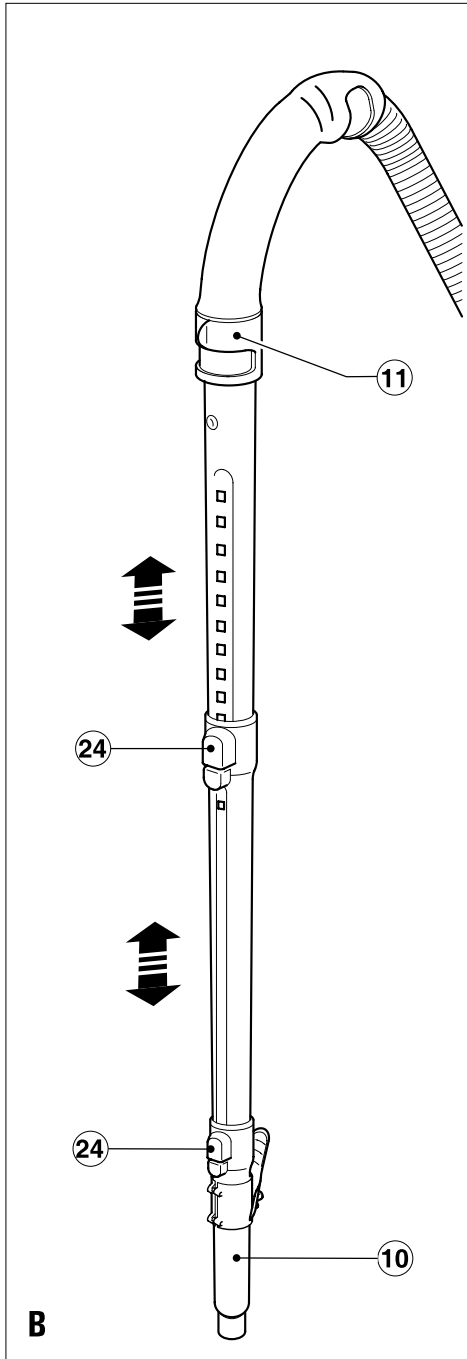
www.blackanddecker.eu

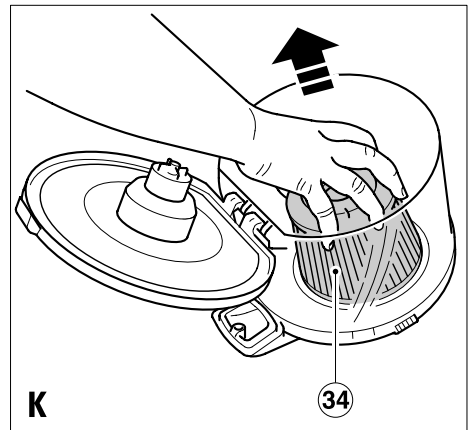
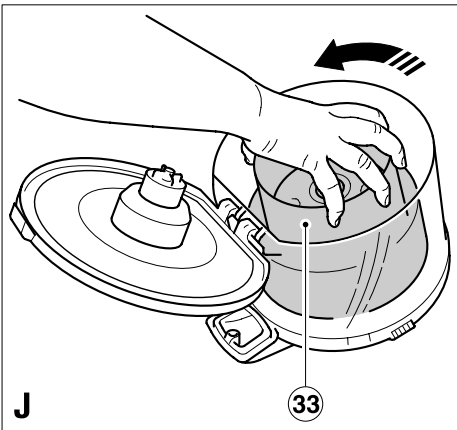
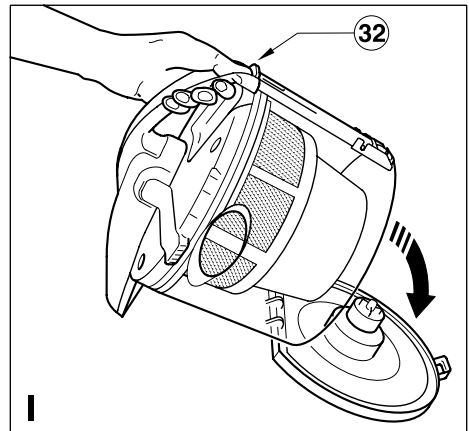
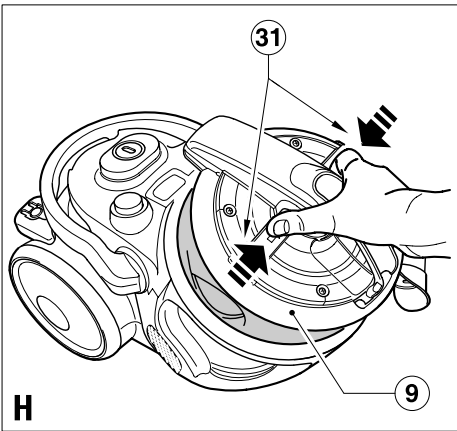
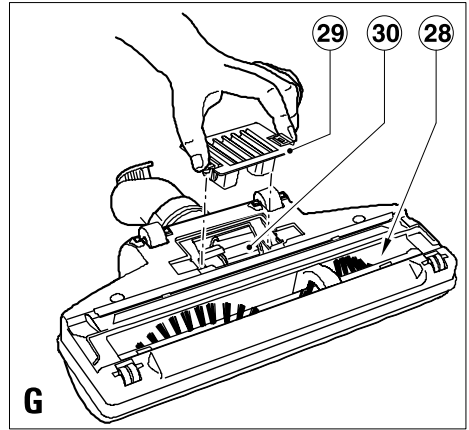
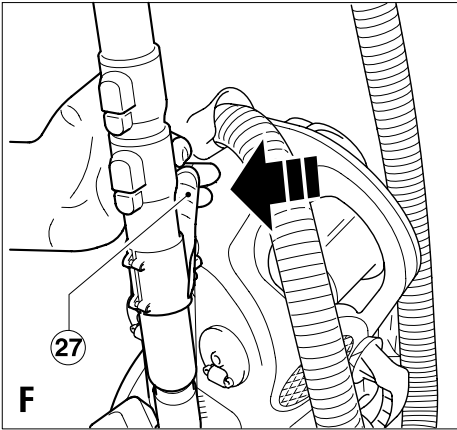


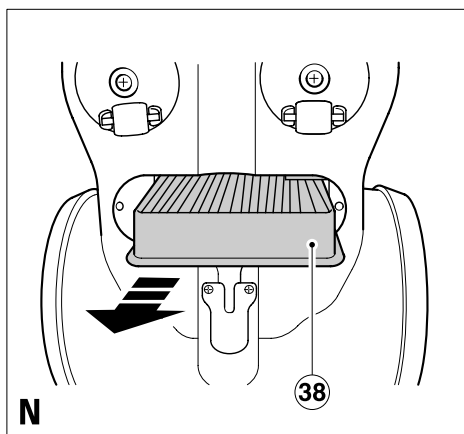
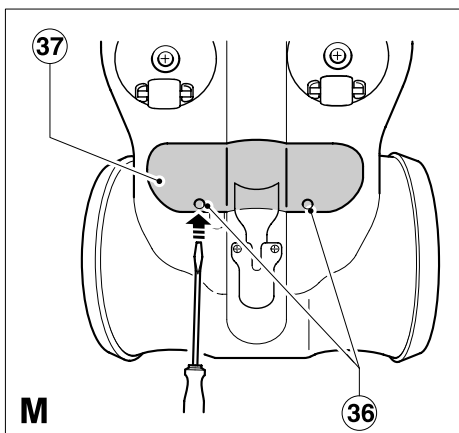
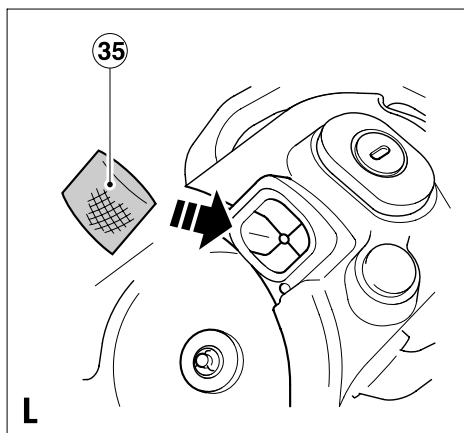
English	6
Deutsch	11
Français	17
Italiano	23
Nederlands	29
Español	35
Português	41
Svenska	47
Norsk	52
Dansk	57
Suomi	47
Ελληνικά	62
Türkçe	74



A







Intended use

Your Black & Decker vacuum cleaner has been designed to vacuum dry substances. This product is intended for household use only.

Safety instructions

Warning! When using mains-powered appliances, basic safety precautions, including the following, should always be followed to reduce the risk of fire, electric shock, personal injury and material damage.

- ◆ Read all of this manual carefully before using the appliance.
- ◆ The intended use is described in this manual. The use of any accessory or attachment or the performance of any operation with this appliance other than those recommended in this instruction manual may present a risk of personal injury.
- ◆ Retain this manual for future reference.

Using your appliance

- ◆ Make sure that the appliance is switched off before connecting to or disconnecting from the power supply.
- ◆ Always take care when using the appliance.
- ◆ Do not use the appliance outdoors.
- ◆ Never pull the power supply cord to disconnect the plug from the socket. Keep the power supply cord away from heat, oil and sharp edges.
- ◆ If the power supply cord is damaged during use, disconnect the appliance from the power supply immediately. Do not touch the power supply cord before disconnecting from the power supply.
- ◆ Disconnect the appliance from the power supply when not in use, before fitting or removing parts and before cleaning.

Safety of others

- ◆ Do not allow children or any person unfamiliar with these instructions to use the appliance.
- ◆ Do not allow children or animals to come near the work area or to touch the appliance or power supply cord. Close supervision is necessary when the appliance is used near children.

After use

- ◆ Switch off and remove the plug from the socket before leaving the appliance unattended and before changing, cleaning or inspecting any parts of the appliance.
- ◆ When not in use, the appliance should be stored in a dry place. Children should not have access to stored appliances.

Inspection and repairs

- ◆ Before use, check the appliance for damaged or defective parts. Check for breakage of parts, damage to switches and any other conditions that may affect its operation.
- ◆ Do not use the appliance if any part is damaged or defective.
- ◆ Have any damaged or defective parts repaired or replaced by an authorised repair agent.
- ◆ Before use, check the power supply cord for signs of damage, ageing and wear.
- ◆ Do not use the appliance if the power supply cord or mains plug is damaged or defective.
- ◆ If the power supply cord or mains plug is damaged or defective it must be repaired by an authorised repair agent in order to avoid a hazard. Do not cut the power supply cord and do not attempt to repair it yourself.
- ◆ Never attempt to remove or replace any parts other than those specified in this manual.

Electrical safety



This tool is double insulated; therefore no earth wire is required. Always check that the power supply corresponds to the voltage on the rating plate.

Additional safety instructions for vacuum cleaners

- ◆ Before use, always make sure that the filter is correctly seated.
- ◆ Do not carry the appliance at the container handle.
- ◆ Do not use the appliance to pick up liquids.
- ◆ Do not use the appliance to pick up any materials that could catch fire.
- ◆ Do not use the appliance near water. Do not immerse the appliance in water.
- ◆ Keep the motor draught away from your eyes and face.
- ◆ Keep children and animals at a safe distance when using this appliance.
- ◆ Always work from bottom up when using the appliance on stairs, and keep the appliance at least a stair below your working position.
- ◆ Do not use the appliance without the suction head or another suitable accessory mounted to the tube.
- ◆ Keep your hair, clothing and gloves away from moving parts. Do not reach into the rotating brush. Keep the rotating brush away from the power supply cord.
- ◆ Do not use damaged accessories.
- ◆ Use only Black & Decker accessories.

Features

This appliance includes some or all of the following features.

1. Hose
2. Container handle
3. Filter cleaning switch
4. On/off switch
5. Handle
6. Cord rewind button
7. Suction head
8. Wheels
9. Container
10. Extension tube
11. Airflow control switch

In addition, this appliance is supplied with some or all of the following accessories (fig. A):

12. Crevice tool
13. Brush tool
14. Parquet floor head (VN2010 / VN2200)
15. Turbo brush (VN2200)

The parquet floor head is not included with all models. This accessory is available from your Black & Decker dealer / service centre (cat. no. WV100).

The turbo brush is not included with all models. This accessory is available from your Black & Decker dealer / service centre (Cat. No. WV200).

Assembly

Connecting the hose (fig. A)

- ◆ Insert the hose connector (16) into the inlet (17) of the appliance.
- ◆ Line up the hose connector tabs with the slots in the inlet.
- ◆ Slide the hose further until the release buttons (18) (2 positions) click into place.
- ◆ To disconnect the hose, press the release buttons (18) (2 positions) and pull out the hose.

Mounting the extension tube (fig. A)

- ◆ Press the lock button (19) and slide the hose nozzle (20) into the tube (10) until it clicks into place.
- ◆ To remove the tube (10), press the lock button and pull the hose nozzle (20) out of the tube.

Mounting the suction head (fig. A)

The suction head (7) allows for vacuuming on carpet and hard surfaces (e.g. laminate and tiles).

- ◆ Press the lock button (21) and slide the tube (10) into the head (7) until it clicks into place.
- ◆ To remove the head (7), press the lock button (21) and pull the tube (10) out of the head (7).

VN2010/VN2200 - Mounting the parquet floor head (fig. A)

The parquet floor head (14) allows for vacuuming on wooden and polished surfaces.

- ◆ Press the lock button (21) and slide the tube (10) into the head (14) until it clicks into place.
- ◆ To remove the head (14), press the lock button (21) and pull the tube (10) out of the head.

VN2200 - Mounting the turbo brush (fig. A)

The turbo brush (15) allows for vacuuming on cut pile carpeting.

The brush is particularly useful for picking up hair, threads, etc., as well as for refreshing trodden-down carpet pile.

- ◆ Press the lock button (21) and slide the tube (10) into the head (15) until it clicks into place.
- ◆ To remove the head (15), press the lock (21) button and pull the tube (10) out of the head.

Mounting accessories (fig. A)

The crevice tool (12) allows for vacuuming in narrow and hard to-reach places. The brush tool (13) allows for vacuuming on furniture, blinds, curtains, windows and stairs. The accessories can be mounted on both the hose (1) and the tube (10).

- ◆ Press the lock button (19 or 21) and slide the accessory onto the hose nozzle (20) or the tube (10).
- ◆ To remove an accessory, press the lock button (19 or 21) and pull the accessory off.

When not in use, the accessories can be stored on the accessory holder (22). The accessory holder is stored on the hose nozzle. This is clipped into place, to remove pull way from the hose nozzle. The tools are stored as shown in fig. A.

Use

Unwinding and rewinding the cord

The cord rewind button (6) can be operated by hand or foot.

- ◆ Before use, pull a sufficient length of cord from the back of the appliance.
- ◆ After use, press the cord rewind button (6) to store the cord back into place. Manually guide the cord to ensure it does not swing back. Ensure the plug is correctly located.

Adjusting the length of the tube (fig. B)

The extension tube (10) is made up of three pieces.

- ◆ To extend the middle / lower two pieces, press the lower adjustment button (23) and slide out the tube fully until it clicks into place.
- ◆ The upper two pieces can be adjusted in 11 steps. Press the upper adjustment button knob (24) and slide the tube to the desired length. Make sure that the tube clicks into place.

Adjusting the suction head (fig. A)

- ◆ For vacuuming on carpets, switch the floor surface selector (25) into the up position.
- ◆ For vacuuming on laminates, tiles, etc., switch the floor surface selector (25) into the down position.

Switching on and off

- ◆ The on/off switch (4) can be operated by hand or foot.
- ◆ To switch the appliance on, press the on/off switch (4).
- ◆ To switch the appliance off, press the on/off switch (4) again.

Adjusting the airflow (fig. B)

- ◆ Rotate the airflow control switch (11) to adjust the airflow as desired. Max and min positions are shown.

Vacuumping

- ◆ When operating the appliance, make sure that the hose is not trapped, twisted or blocked
- ◆ In case of overheating, a cut-out will operate and the appliance will automatically stop.
- ◆ If the appliance stops operating, unplug the appliance and allow it to cool for 2-3 hours.

Hints for optimum use

- ◆ When working in confined spaces, temporarily remove the accessory holder from the tube to improve your scope.
- ◆ When vacuuming stairs, always start at the bottom and work your way up. Position the appliance on the floor and do the stairs until halfway. Then carry the appliance to a stable position which is at least one stair below your working position, and do the top half of the stairs.

VN2200 - Using the turbo brush (fig. A)

- ◆ Take care that the speed control switch is at the highest setting. Move the slider on top of the brush as necessary to optimise the suction force.
- ◆ Move the brush steadily back and forth. Do not keep the brush on the same place for a long time, as this might damage the surface.

Carrying the appliance (fig. C)

During use the appliance can be carried using the handle (5).

- ◆ Tilt the handle into position as shown.

Temporarily parking the suction head (fig. D)

- ◆ Use the park position for a temporary parking of the suction head.

Storing the appliance (fig. E & F)

Warning! Warning! When storing the appliance, switch the appliance off and unplug it.

- ◆ Make sure that the cord is fully rewound.
- ◆ Place the appliance in an upright position.

- ◆ Wrap the hose around the appliance.
- ◆ Insert the suction head hook (26) into the recess in the appliance.
- ◆ Push the tube until the locking device (27) inserts into the corresponding recess in the appliance as shown. The locking device (27) engages automatically.
- ◆ Store the appliance in a dry location. The appliance can be carried by the container handle (2).
- ◆ To take the tube from the appliance for use, press the lever on the locking device (27) on the back of the tube and pull the tube away from the unit and lift the tube and head out of the parking slots.

Maintenance

Your Black & Decker tool has been designed to operate over a long period of time with a minimum of maintenance. Continuous satisfactory operation depends upon proper tool care and regular cleaning.

Cleaning the filter

The appliance is fitted with a filter cleaning feature.

- ◆ After every use switch the appliance off but don't unplug from the mains.
- ◆ Ensure the container is securely in place.
- ◆ Press the filter cleaning switch (3) and the filter cleaning cycle will run for 10 seconds, after which it will automatically switch off. During the 10 seconds, the auto cleaning system cleans the filter.
- ◆ The plug can now be removed from the socket.

This will ensure that the next time the appliance is used the performance is at its optimum.

Note: The appliance is designed to prevent vacuuming during the filter cleaning cycle. If the vacuum is switched on during the filter cleaning cycle, the filter cleaning cycle will stop.

Warning! Before performing any maintenance or cleaning on the appliance, unplug the appliance.

- ◆ Regularly clean the ventilation slots in your appliance using a soft brush or dry cloth.
- ◆ Regularly clean the motor housing using a damp cloth. Do not use any abrasive or solvent-based cleaner.

VN2200 - Clearing the turbo brush (fig. G)

- ◆ Remove any hair or threads collected onto the brush (28). Use a pair of scissors if necessary.
- ◆ Remove the cover (29) to remove any foreign objects blocking the air turbine (30). Re-fit the cover.

Emptying the container (fig. H & I)

The container (9) must be emptied when the dirt fills to the maximum mark indicated on the bin.

- ◆ Remove the container (9) from the appliance by pressing the two release buttons (31) and lifting the container out of the appliance.
- ◆ Press the lower door latch (32) to release the dirt.
- ◆ Empty the container as necessary.
- ◆ Clean the filter as described below.
- ◆ Close the lower door and make sure that it clicks into place.
- ◆ Re-fit the container (9) into the appliance, make sure that the release buttons (31) click into place.
- ◆ Press the filter cleaning switch (3) and the filter cleaning cycle will run for 10 seconds, after which it will automatically switch off. This will ensure that the next time the appliance is used, the performance will be at it's optimum.

Cleaning

Warning! Before cleaning and maintenance, switch the appliance off and unplug it.

- ◆ From time to time wipe the appliance with a damp cloth. Do not use any abrasive or solvent-based cleaner. Do not immerse the appliance in water.

Cleaning the container filters (fig. H - K)

The container filters prevent dust and dirt from entering the motor housing. The filters are re-usable and should be cleaned periodically.

- ◆ Remove the container from the appliance (fig. H).
- ◆ Press the lower door latch (32) to release the lower door (fig. I).
- ◆ Remove the pre-filter (33) from the container (9) (fig. J) by rotating anti clockwise.
- ◆ Pull the filter (34) off the filter holder (fig. K).

Warning! Do not brush or use compressed air to clean the filter.

- ◆ Depending on its condition, rinse the outside of the filter with water. Allow the filter to dry for 24 hours before reinserting it.

Warning! Do not wash the inside of the filter.

- ◆ Replace the filter.
- ◆ Re-fit the pre-filter.
- ◆ Close the lower door.
- ◆ Re-insert the container into the appliance.

Cleaning the motor filter (fig. H & L)

The motor filter (35) prevents particles and larger objects from entering the motor housing when the container is removed.

The filter (35) is re-usable and should be cleaned regularly.

- ◆ Remove the container from the appliance (fig. H).
- ◆ Take the filter (35) out (fig. L).
- ◆ Brush any loose dust off the filter.
- ◆ Replace the filter (35).
- ◆ Re-insert the container into the appliance.

Replacing the filters

If the container filter (34) is damaged or fails to operate properly, it must be replaced. Replacement filters are available from your Black & Decker dealer (cat. no. VLF50).

Replacing the container filter

- ◆ Proceed as described above to replace the filter (34).

Replacing the outlet filter (fig. M & N)

The appliance is fitted with a lifetime filter but if it is required to be replaced, replace it as follows:

- ◆ Remove the two screws (36)
- ◆ Remove the cover (37) by using a tool to lift the cover up.
- ◆ Remove the old filter (38) by pulling it out.
- ◆ Insert the new filter as shown.
- ◆ Refit the cover with the two screws (36).

Mains plug replacement (U.K. & Ireland only)

If a new mains plug needs to be fitted:

- ◆ Safely dispose of the old plug.
- ◆ Connect the brown lead to the live terminal in the new plug.
- ◆ Connect the blue lead to the neutral terminal.

Warning! No connection is to be made to the earth terminal. Follow the fitting instructions supplied with good quality plugs. Recommended fuse: 5 A.

Protecting the environment



Should you find one day that your tool needs replacement, or if it is of no further use to you, think of the protection of the environment. Black & Decker repair agents will accept old Black & Decker tools and ensure that they are disposed of in an environmentally safe way.



Separate collection of used products and packaging allows materials to be recycled and used again. Re-use of recycled materials helps prevent environmental pollution and reduces the demand for raw materials.

Local regulations may provide for separate collection of electrical products from the household, at municipal waste sites or by the retailer when you purchase a new product.

Black & Decker provides a facility for the collection and recycling of Black & Decker products once they have reached the end of their working life. To take advantage of this service please return your product to any authorised repair agent who will collect them on our behalf.

You can check the location of your nearest authorised repair agent by contacting your local Black & Decker office at the address indicated in this manual. Alternatively, a list of authorised Black & Decker repair agents and full details of our after-sales service and contacts are available on the Internet at: www.2helpU.com.

Technical data

	VN1800	VN2000	VN2010	VN2200
Voltage	Vac 230	230	230	230
(Australia & New Zealand)	Vac 240			
Power input	W 1800	2000	2000	2200
Cable length	m 6	7	7	8
Container size	l 2.5	2.5	2.5	2.5
Weight	kg 9.1	9.6	9.6	9.7

EC declaration of conformity

VN1800/VN2000/VN2010/VN2200

Black & Decker declares that these products conform to: 89/336/EEC, 73/23/EEC, EN 55014, EN 61000, EN 60335, EN 61000-3-11

Level of sound pressure, measured according to EN 60704-1: = 73 dB(A)



Kevin Hewitt
 Director of Consumer Engineering
 Spennymoor, County Durham
 DL16 6JG,
 United Kingdom
 01-08-2006

Guarantee

Black & Decker is confident of the quality of its products and offers an outstanding guarantee. This guarantee statement is in addition to and in no way prejudices your statutory rights. The guarantee is valid within the territories of the Member States of the European Union and the European Free Trade Area.

If a Black & Decker product becomes defective due to faulty materials, workmanship or lack of conformity, within 24 months from the date of purchase, Black & Decker guarantees to replace defective parts, repair products subjected to fair wear and tear or replace such products to make sure of the minimum inconvenience to the customer unless:

- ◆ The product has been used for trade, professional or hire purposes.
- ◆ The product has been subjected to misuse or neglect.
- ◆ The product has sustained damage through foreign objects, substances or accidents.

- ◆ Repairs have been attempted by persons other than authorised repair agents or Black & Decker service staff.

To claim on the guarantee, you will need to submit proof of purchase to the seller or an authorised repair agent. You can check the location of your nearest authorised repair agent by contacting your local Black & Decker office at the address indicated in this manual. Alternatively, a list of authorised Black & Decker repair agents and full details of our after-sales service and contacts are available on the Internet at:

www.2helpU.com

Please visit our website www.blackanddecker.co.uk to register your new Black & Decker product and to be kept up to date on new products and special offers. Further information on the Black & Decker brand and our range of products is available at www.blackanddecker.co.uk.

Bestimmungsgemäße Verwendung

Ihr Black & Decker Staubsauger wurde zum Saugen trockener Substanzen entwickelt. Dieses Gerät ist nicht für den gewerblichen Einsatz vorgesehen.

Sicherheitshinweise

Achtung! Beachten Sie beim Umgang mit netzstrombetriebenen Geräten stets die grundlegenden Sicherheitshinweise, die im Folgenden beschrieben werden. Dadurch verhindern Sie Brände, Stromschläge sowie Sach- und Personenschäden.

- ◆ Lesen Sie diese Anleitung vollständig und aufmerksam durch, bevor Sie das Gerät zum ersten Mal verwenden.
- ◆ Der vorgesehene Verwendungszweck ist in dieser Anleitung beschrieben. Bei Verwendung von Zubehör oder Anbauteilen, die nicht in dieser Anleitung empfohlen sind, sowie bei der Bedienung des Geräts in Abweichung von den in dieser Anleitung beschriebenen Verfahren besteht Verletzungsgefahr.
- ◆ Heben Sie diese Anleitung auf.

Verwendung des Geräts

- ◆ Vergewissern Sie sich, dass das Gerät ausgeschaltet ist, bevor Sie es an das Stromnetz anschließen oder die Verbindung zum Stromnetz trennen.
- ◆ Verwenden Sie das Gerät stets mit Umsicht.
- ◆ Das Gerät ist nicht für die Verwendung im Freien geeignet.
- ◆ Ziehen Sie den Netzstecker nicht am Kabel aus der Netzsteckdose. Achten Sie darauf, dass das Netzkabel nicht in Kontakt mit starker Hitze, Öl oder scharfen Gegenständen kommt.
- ◆ Trennen Sie das Gerät sofort vom Stromnetz, wenn das Netzkabel während des Betriebs beschädigt wird. Berühren Sie das Kabel nicht, solange der Stecker noch in der Netzsteckdose steckt.
- ◆ Trennen Sie das Gerät bei Nichtgebrauch, vor dem Anbringen oder Abnehmen von Zubehörteilen und vor dem Reinigen vom Stromnetz.

Sicherheit anderer Personen

- ◆ Das Gerät darf nicht von Kindern und Personen genutzt werden, die die vorliegenden Anleitungen nicht gelesen haben.
- ◆ Achten Sie darauf, dass sich im Arbeitsbereich keine Kinder oder Tiere aufhalten. Verhindern Sie, dass Kinder das Gerät oder das Netzkabel berühren. Seien Sie besonders vorsichtig, wenn Sie das Gerät in der Nähe von Kindern verwenden.

Nach dem Gebrauch

- ◆ Schalten Sie das Gerät aus, und ziehen Sie den Netzstecker, wenn Sie es unbeaufsichtigt lassen, oder bevor Sie Gerätekomponenten austauschen, reinigen oder überprüfen.
- ◆ Bewahren Sie das Gerät bei Nichtgebrauch an einem trockenen Ort auf. Kinder sollten keinen Zugang zu aufbewahrten Geräten haben.

Inspektion und Reparaturen

- ◆ Prüfen Sie das Gerät vor der Verwendung auf beschädigte oder defekte Teile. Prüfen Sie, ob Teile gebrochen sind, Schalter beschädigt sind oder ob andere Bedingungen vorliegen, die die Funktion beeinträchtigen könnten.
- ◆ Betreiben Sie das Gerät nicht, wenn ein Teil beschädigt oder defekt ist.
- ◆ Lassen Sie beschädigte oder defekte Teile in einer Vertragswerkstatt reparieren oder austauschen.
- ◆ Prüfen Sie vor der Inbetriebnahme das Netzkabel auf Beschädigungen und Verschleiß.
- ◆ Nehmen Sie das Gerät nicht in Betrieb, wenn das Netzkabel oder der Netzstecker beschädigt oder defekt ist.
- ◆ Im Fall einer Beschädigung oder eines Defekts muss das Netzkabel bzw. der Netzstecker in einer autorisierten Vertragswerkstatt ausgetauscht werden, um eine mögliche Gefährdung zu vermeiden. Versuchen Sie nicht, das Netzkabel selbst zu reparieren.
- ◆ Ersetzen oder entfernen Sie keine Teile, für die in dieser Anleitung keine entsprechende Beschreibung enthalten ist.

Elektrische Sicherheit



Dieses Gerät ist schutzisoliert, daher ist keine Erdleitung erforderlich. Überprüfen Sie immer, ob die Netzspannung der auf dem Typenschild des Gerätes angegebenen Spannung entspricht.

Zusätzliche Sicherheitshinweise für Staubsauger

- ◆ Vergewissern Sie sich vor dem Gebrauch, dass der Filter ordnungsgemäß angebracht ist.
- ◆ Tragen Sie das Gerät nicht am Griff des Staubbehälters.
- ◆ Verwenden Sie das Gerät nicht zum Aufnehmen von Flüssigkeiten.
- ◆ Benutzen Sie das Gerät nicht zum Aufsaugen feuergefährlicher Materialien.
- ◆ Betreiben Sie das Gerät nicht in der Nähe von Wasser. Tauchen Sie das Gerät nicht in Wasser.
- ◆ Setzen Sie Augen und Gesicht nicht dem vom Gerät erzeugten Luftstrom aus.
- ◆ Halten Sie Kinder und Tiere während der Benutzung des Geräts fern.

- ◆ Arbeiten Sie auf Treppen immer von unten nach oben, und achten Sie darauf, dass sich das Gerät mindestens eine Stufe unter der Arbeitsposition befindet.
- ◆ Betreiben Sie das Gerät nur, wenn am Saugrohr die Bodendüse oder ein anderes geeignetes Zubehörteil montiert ist.
- ◆ Halten Sie Haare, Kleidung und Handschuhe fern von sich bewegenden Teilen. Greifen Sie nicht mit der Hand in die rotierende Bürste. Achten Sie darauf, dass das Netzkabel nicht mit der rotierenden Bürste in Berührung kommt.
- ◆ Verwenden Sie keine beschädigten Zubehörteile.
- ◆ Verwenden Sie nur Zubehör von Black & Decker.
- ◆ Schieben Sie den Saugschlauch weiter in die Saugöffnung, bis die Verriegelungen (18) (auf beiden Seiten) einrasten.
- ◆ Zum Abnehmen des Saugschlauchs drücken Sie die Verriegelungen (18) (auf beiden Seiten) nach innen und ziehen den Schlauch ab.

Anbringen des ausziehbaren Saugrohrs (Abb. A)

- ◆ Drücken Sie den Verriegelungsknopf (19), und schieben Sie das Schlauchende (20) in die Rohröffnung (10), bis es einrastet.
- ◆ Zum Abnehmen des Saugrohrs (10) drücken Sie den Verriegelungsknopf und ziehen das Schlauchende (20) aus dem Rohr.

Merkmale

Dieses Gerät verfügt über einige oder alle der folgenden Merkmale:

1. Saugschlauch
2. Staubbehältergriff
3. Filterreinigungsschalter
4. Ein-/Aus-Schalter
5. Handgriff
6. Taste für automatische Kabelaufwicklung
7. Bodendüse
8. Laufrollen
9. Staubbehälter
10. Ausziehbares Saugrohr
11. Nebenluftventil

Das Gerät wird mit einigen oder allen der folgenden Zubehörteile geliefert (Abb. A):

12. Fugendüse
13. Pinseldüse
14. Parkettdüse (VN2010/VN2200)
15. Turbobürste (VN2200)

Die Parkettdüse ist nicht bei allen Modellen im Lieferumfang enthalten. Sie erhalten dieses Zubehörteil im Black & Decker Fachhandel oder bei einer Black & Decker Vertragswerkstatt (Katalognr. WV100).

Die Turbobürste ist nicht bei allen Modellen im Lieferumfang enthalten. Sie erhalten dieses Zubehörteil im Black & Decker Fachhandel oder bei einer Black & Decker Vertragswerkstatt (Katalognr. WV200).

Montage

Anschließen des Saugschlauchs (Abb. A)

- ◆ Schieben Sie den Stutzen des Saugschlauchs (16) in die Saugöffnung des Geräts (17).
- ◆ Richten Sie die Verriegelungszapfen am Saugschlauchstutzen an den Aussparungen der Saugöffnung aus.

Anbringen der Bodendüse (Abb. A)

Die Bodendüse (7) ist für das Saugen von Teppichen und glatten Oberflächen (Parkett, Fliesen, PVC usw.) geeignet.

- ◆ Drücken Sie den Verriegelungsknopf (21), und schieben Sie das Rohr (10) in die Öffnung der Düse (7), bis es einrastet.
- ◆ Zum Abnehmen der Bodendüse (7) drücken Sie den Verriegelungsknopf (21) und ziehen das Rohr (10) aus der Düse (7).

VN2010/VN2200 – Anbringen der Parkettdüse (Abb. A)

Die Parkettdüse (14) ist besonders für die Pflege von Parkettfußböden und glatten Flächen geeignet.

- ◆ Drücken Sie den Verriegelungsknopf (21), und schieben Sie das Rohr (10) in die Öffnung der Düse (14), bis es einrastet.
- ◆ Zum Abnehmen der Düse (14) drücken Sie den Verriegelungsknopf (21) und ziehen das Rohr (10) heraus.

VN2200 – Anbringen der Turbobürste (Abb. A)

Die Turbobürste ist für das Saugen von Teppichen und Teppichböden vorgesehen.

Mit diesem Aufsatz können hartnäckige Verschmutzungen (Haare, Fasern usw.) entfernt und der Flor beanspruchter Teppichböden wieder aufgerichtet werden.

- ◆ Drücken Sie den Verriegelungsknopf (21), und schieben Sie das Rohr (10) in die Öffnung der Düse (15), bis es einrastet.
- ◆ Zum Abnehmen des Aufsatzes (15) drücken Sie den Verriegelungsknopf (21) und ziehen das Rohr (10) heraus.

Anbringen von Zubehör (Abb. A)

Die Fugendüse (12) eignet sich zum Aussaugen von Fugen, Ecken und anderen schwer erreichbaren Stellen. Mit der Pinseldüse (13) können Möbeloberflächen, Jalousien, Gardinen und andere empfindliche Gegenstände abgesaugt werden. Die Zubehörteile können sowohl am Saugschlauch (1) als auch am Saugrohr (10) angebracht werden.

- ◆ Drücken Sie den Verriegelungsknopf (19 oder 21), und schieben Sie das Zubehörteil auf das Schlauchende (20) oder das Saugrohr (10).

- ◆ Zum Abnehmen des Zubehörteils drücken Sie den Verriegelungsknopf (19 oder 21) und ziehen das Teil ab.

Bei Nichtgebrauch können die Zubehörteile an der dafür vorgesehenen Halterung (22) befestigt werden. Der Zubehörhalter ist am Ende des Saugschlauchs angebracht und kann abgezogen werden. Befestigen Sie die Zubehörteile wie in Abb. A gezeigt.

Gebrauch

Ausziehen und Aufrollen des Kabels

Die Taste für die automatische Kabelaufwicklung (6) kann mit der Hand oder mit dem Fuß betätigt werden.

- ◆ Ziehen Sie vor dem Gebrauch das Netzkabel an der Geräterückseite bis zur gewünschten Länge heraus.
- ◆ Drücken Sie nach dem Gebrauch die Taste für die automatische Kabelaufwicklung (6), um das Kabel aufzurollen. Halten Sie das Kabel dabei fest, damit es nicht zu einem „Peitscheneffekt“ kommt. Vergewissern Sie sich, dass der Kabelstecker richtig in der dafür vorgesehenen Aussparung sitzt.

Einstellen der Saugrohrlänge (Abb. B)

Das ausziehbare Saugrohr (10) besteht aus drei Teilen.

- ◆ Zum Verlängern des mittleren/unteren Teils drücken Sie die untere Verriegelungstaste (23), und ziehen Sie das Rohr vollständig heraus, bis es hörbar einrastet.
- ◆ Die beiden oberen Teile können in 11 verschiedenen Stellungen fixiert werden. Drücken Sie die obere Verriegelungstaste (24), und stellen Sie das Saugrohr auf die gewünschte Länge ein. Achten Sie darauf, dass die Verriegelung einrastet.

Einstellen der Bodendüse (Abb. A)

- ◆ Zum Saugen von Teppichen und Teppichböden bringen Sie den Kippschalter (25) in die Stellung „Oben“.
- ◆ Zum Saugen von glatten Flächen wie Parkett oder Fliesen bringen Sie den Kippschalter (25) in die Stellung „Unten“.

Ein- und Ausschalten

- ◆ Der Ein-/Aus-Schalter (4) kann mit der Hand oder mit dem Fuß betätigt werden.
- ◆ Zum Einschalten des Geräts drücken Sie den Ein-/Aus-Schalter (4).
- ◆ Durch erneutes Drücken des Ein-/Aus-Schalters (4) wird das Gerät wieder ausgeschaltet.

Einstellen des Nebenluftventils (Abb. B)

- ◆ Mit dem Nebenluftventil können Sie die Saugleistung des Geräts anpassen. Die Nebenluftzufuhr wird durch Drehen der Hülse (11) geregelt. Auf der Hülse sind Markierungen für minimale und maximale Saugleistung angebracht.

Staub saugen

- ◆ Achten Sie bei der Verwendung des Geräts darauf, dass der Saugschlauch nicht geknickt, verdreht oder verstopft ist.
- ◆ Der Staubsauger besitzt einen Schutzschalter, der das Gerät im Fall einer Überhitzung automatisch abschaltet.
- ◆ Sollte der Betrieb durch den Schutzschalter unterbrochen werden, trennen Sie das Gerät vom Stromnetz, und warten Sie 2 bis 3 Stunden, bis es sich abgekühlt hat.

Hinweise für optimale Arbeitsergebnisse

- ◆ Beim Arbeiten in beengten Platzverhältnissen empfiehlt es sich, den Zubehörhalter abzunehmen. Nischen, Ecken usw. sind dann besser erreichbar.
- ◆ Arbeiten Sie auf Treppen immer von unten nach oben. Stellen Sie das Gerät auf den Boden, und reinigen Sie zunächst die erreichbaren Stufen. Stellen Sie den Staubsauger dann auf eine Stufe unterhalb der Arbeitsposition, und reinigen Sie die Stufen darüber. Achten Sie auf einen sicheren Stand des Geräts.

VN2200 – Verwenden der Turbobürste (Abb. A)

- ◆ Stellen Sie den Geschwindigkeitsregler auf die höchste Stufe. An der Oberseite der Turbobürste befindet sich ein Schieber, mit dem die Saugleistung eingestellt werden kann.
- ◆ Bewegen Sie die Bürste stetig vor und zurück. Die Bürsteneinheit darf sich nicht längere Zeit an derselben Stelle befinden, da die bearbeitete Fläche dadurch beschädigt werden könnte.

Tragen des Geräts (Abb. C)

Während des Gebrauchs kann das Gerät am Handgriff (5) getragen werden.

- ◆ Klappen Sie den Griff in die gezeigte Stellung.

Kurzfristiges Parken der Bodendüse (Abbildung. D)

- ◆ Das Gerät verfügt über eine Halterung, in der die Bodendüse vorübergehend „geparkt“ werden kann.

Aufbewahren des Geräts (Abb. E und F)

Achtung! Schalten Sie das Gerät aus, und trennen Sie es vom Stromnetz, bevor Sie es aufbewahren.

- ◆ Achten Sie darauf, dass das Netzkabel vollständig aufgerollt ist.
- ◆ Stellen Sie das Gerät aufrecht hin.
- ◆ Wickeln Sie den Saugschlauch um das Gerät.
- ◆ Setzen Sie den Haken an der Bodendüse (26) in die dafür vorgesehene Halterung ein.
- ◆ Drücken Sie das Saugrohr wie gezeigt mit der Verriegelungslasche (27) in die Halterung am Gehäuse. Die Verriegelungslasche (27) rastet automatisch ein.

- ◆ Bewahren Sie das Gerät an einem trockenen Ort auf. Das Gerät kann am Griff des Staubbehälters (2) getragen werden.
- ◆ Um das Saugrohr aus seiner Halterung zu lösen, drücken Sie die Verriegelungslasche (27) an der Rückseite des Saugrohrs und ziehen dieses vom Gehäuse weg. Heben Sie Saugrohr und Bodendüse dann aus der Parkhalterung.

Wartung

Ihr Black & Decker Gerät wurde im Hinblick auf eine lange Lebensdauer und einen möglichst geringen Wartungsaufwand entwickelt. Ein dauerhafter, einwandfreier Betrieb setzt eine regelmäßige Pflege und Reinigung voraus.

Reinigen des Filters

Das Gerät verfügt über einen automatischen Filterreinigungsmechanismus.

- ◆ Schalten Sie das Gerät nach dem Gebrauch aus, ziehen Sie aber noch nicht den Netzstecker.
- ◆ Vergewissern Sie sich, dass der Staubbehälter ordnungsgemäß befestigt ist.
- ◆ Drücken Sie den Filterreinigungsschalter (3), um die Filterreinigung zu starten. Nach ca. 10 Sekunden ist der Reinigungsvorgang beendet, und der Mechanismus schaltet sich automatisch ab. Anschließend ist der Filter wieder sauber.
- ◆ Sie können nun den Netzstecker abziehen.

Die automatische Filterreinigung sorgt dafür, dass das Gerät immer mit optimaler Saugleistung arbeitet.

Hinweis: Während der Filterreinigung kann das Gerät nicht zum Staubsaugen verwendet werden. Sollten Sie den Staubsauger während der Filterreinigung einschalten, wird diese automatisch beendet.

Achtung! Ziehen Sie den Netzstecker des Geräts aus der Steckdose, bevor Sie mit Wartungs- oder Reinigungsarbeiten am Gerät beginnen.

- ◆ Reinigen Sie regelmäßig die Lüftungsschlitze des Geräts mit Hilfe einer weichen Bürste oder eines trockenen Tuchs.
- ◆ Reinigen Sie regelmäßig das Motorgehäuse mit Hilfe eines feuchten Tuchs. Verwenden Sie keine scheuernden Reinigungsmittel oder Reinigungsmittel auf Lösungsmittelbasis.

VN2200 – Reinigen der Turbobürste (Abb. G)

- ◆ Entfernen Sie Haare oder Faserreste, die sich an der Bürste (28) angesammelt haben.

Verwenden Sie ggf. eine Schere.

- ◆ Nehmen Sie die Abdeckung (29) ab, und entfernen Sie ggf. Fremdkörper, die den Luftstrom (30) behindern könnten. Bringen Sie die Abdeckung wieder an.

Leeren des Staubbehälters (Abb. H und I)

Wenn der Staubbehälter (9) voll ist (erkennbar an der Markierung für maximalen Füllstand), muss er geleert werden.

- ◆ Drücken Sie die Entriegelungstasten (31), und heben Sie den Staubbehälter (9) nach oben aus dem Gerät.
- ◆ Drücken Sie die Taste für die Verriegelung der Klappe (32) an der Unterseite des Behälters, damit der Schmutz herausfallen kann.
- ◆ Vergewissern Sie sich, dass der Behälter leer ist.
- ◆ Reinigen Sie den Filter, wie unten beschrieben.
- ◆ Schließen Sie die Klappe an der Unterseite des Behälters. Achten Sie darauf, dass die Verriegelung einrastet.
- ◆ Setzen Sie den Behälter (9) wieder in das Gerät ein. Die Entriegelungstasten (31) müssen hörbar einrasten.
- ◆ Drücken Sie den Filterreinigungsschalter (3), um die Filterreinigung zu starten. Nach ca. 10 Sekunden ist der Reinigungsvorgang beendet, und der Mechanismus schaltet sich automatisch ab. Die automatische Filterreinigung sorgt dafür, dass das Gerät immer mit optimaler Saugleistung arbeitet.

Reinigung

Achtung! Schalten Sie das Gerät vor der Durchführung von Reinigungs- und Wartungsarbeiten aus, und ziehen Sie den Netzstecker.

- ◆ Wischen Sie das Gerät gelegentlich mit einem feuchten Tuch ab. Verwenden Sie keine scheuernden Reinigungsmittel oder Reinigungsmittel auf Lösungsmittelbasis. Tauchen Sie das Gerät nicht in Wasser.

Reinigen der Staubbehälterfilter (Abb. H bis K)

Die Staubbehälterfilter verhindern, dass Schmutz und Staubpartikel in das Motorgehäuse gelangen. Die Filter sind wieder verwendbar und sollten regelmäßig gereinigt werden.

- ◆ Nehmen Sie den Staubbehälter aus dem Gerät (Abb. H).
- ◆ Drücken Sie die Taste für die Verriegelung der Klappe (32) an der Unterseite des Behälters, um diese zu öffnen (Abb. I).
- ◆ Lösen Sie den Vorfilter (33) durch Drehen gegen den Uhrzeigersinn, und nehmen Sie ihn aus dem Staubbehälter (9) (Abb. J).
- ◆ Ziehen Sie den Filter (34) vom Filterhalter ab (Abb. K).

Achtung! Reinigen Sie den Filter nicht mit einer Bürste oder mit Druckluft.

- ◆ Reinigen Sie die Außenseite des Filters bei Bedarf mit klarem Wasser. Lassen Sie den Filter danach 24 Stunden trocknen, bevor Sie ihn wieder einsetzen.

Achtung! Das Innere des Filters darf nicht mit Wasser in Berührung kommen.

- ◆ Setzen Sie den Filter wieder ein.

- ◆ Bringen Sie den Vorfilter wieder an.
- ◆ Schließen Sie die Klappe an der Unterseite des Behälters.
- ◆ Setzen Sie den Behälter wieder in den Staubsauger ein.

Reinigen des Motorfilters (Abb. H und L)

Der Motorfilter (35) verhindert, dass Staubpartikel und größere Objekte bei abgenommenem Staubbehälter in das Motorgehäuse gelangen.

Der Filter (35) ist wieder verwendbar und sollte regelmäßig gereinigt werden.

- ◆ Nehmen Sie den Staubbehälter aus dem Gerät (Abb. H).
- ◆ Nehmen Sie den Filter (35) heraus (Abb. L).
- ◆ Entfernen Sie mit Hilfe einer Bürste losen Staub vom Filter.
- ◆ Bringen Sie den Filter (35) wieder an.
- ◆ Setzen Sie den Behälter wieder in den Staubsauger ein.

Ersetzen der Filter

Wenn der Staubbehälterfilter (34) beschädigt ist oder nicht mehr richtig funktioniert, muss er ausgetauscht werden. Ersatzfilter erhalten Sie im Black & Decker Fachhandel (Katalognr. VLF50).

Austauschen des Staubbehälterfilters

- ◆ Führen Sie zum Austauschen des Filters (34) die obigen Schritte aus.

Austauschen des Abluffilters (Abb. M und N)

Das Gerät verfügt über einen Abluffilter, der normalerweise nicht ersetzt werden muss. Sollte trotzdem ein Austausch erforderlich sein, gehen Sie folgendermaßen vor:

- ◆ Drehen Sie die beiden Schrauben (36) heraus.
- ◆ Heben Sie die Abdeckung (37) mit einem geeigneten Werkzeug ab.
- ◆ Ziehen Sie den alten Filter (38) heraus.
- ◆ Setzen Sie den neuen Filter wie in der Abbildung gezeigt ein.
- ◆ Bringen Sie die Abdeckung wieder an, und befestigen Sie sie mit den beiden Schrauben (36).

Austauschen des Netzsteckers (nur Vereinigtes Königreich und Irland)

Gehen Sie folgendermaßen vor, wenn ein neuer Netzstecker angeschlossen werden muss:

- ◆ Entsorgen Sie den alten Stecker auf sachgerechte Weise.
- ◆ Verbinden Sie die braune Leitung mit dem spannungsführenden Anschluss des Steckers.
- ◆ Verbinden Sie die blaue Leitung mit dem neutralen Anschluss.

Achtung! Der Erdleiter wird nicht angeschlossen. Befolgen Sie die Anleitungen, die dem Stecker beiliegen. Empfohlene Sicherung: 5 A.

Umweltschutz



Sollten Sie das Gerät eines Tages durch ein neues Gerät ersetzen wollen oder keine Verwendung mehr dafür haben, denken Sie bitte an den Schutz der Umwelt. Black & Decker nimmt Ihre ausgedienten Black & Decker Geräte gern zurück und sorgt für eine umweltgerechte Entsorgung.



Durch die separate Sammlung von ausgedienten Produkten und Verpackungsmaterialien können Rohstoffe recycelt und wiederverwendet werden. Die Wiederverwendung aufbereiteter Materialien trägt zur Vermeidung der

Umweltverschmutzung bei und senkt den Rohstoffbedarf.

Die Abfallentsorgungssatzung Ihrer Gemeinde sieht möglicherweise vor, dass Elektrogeräte getrennt vom Hausmüll gesammelt, an der örtlichen Abfallentsorgungseinrichtung abgegeben oder beim Kauf eines neuen Produkts vom Fachhandel zur Entsorgung angenommen werden müssen.

Black & Decker nimmt Ihre ausgedienten Black & Decker Geräte gern zurück und sorgt für eine umweltfreundliche Entsorgung bzw. Wiederverwertung. Um diese Dienstleistung in Anspruch zu nehmen, geben Sie das Gerät bitte bei einer autorisierten Reparaturwerkstatt ab, die für uns die Einsammlung übernimmt.

Die Adresse der zuständigen Niederlassung von Black & Decker steht in dieser Anleitung. Diese teilt Ihnen gerne die nächstgelegene Vertragswerkstatt mit. Außerdem ist eine Liste der Vertragswerkstätten und aller Kundendienststellen von Black & Decker sowie der zuständigen Ansprechpartner im Internet zu finden unter: www.2helpU.com.

Technische Daten

	VN1800	VN2000	VN2010	VN2200
Spannung	V AC 230	230	230	230
(Australien und Neuseeland) V AC 240				
Leistungsaufnahme	W 1800	2000	2000	2200
Kabellänge	m 6	7	7	8
Staubbehältergröße	l 2,5	2,5	2,5	2,5
Gewicht	kg 9,1	9,6	9,6	9,7

EU-Konformitätserklärung

VN1800/VN2000/VN2010/VN2200

Black & Decker erklärt, dass diese Produkte den folgenden Normen entsprechen:

89/336/EWG, 73/23/EWG, EN 55014, EN 61000, EN 60335, EN 61000-3-11

Schalldruckpegel, gemessen nach
EN 60704-1: 73 dB(A)



Kevin Hewitt
Director of Consumer Engineering
Spennymoor, County Durham
DL16 6JG,
Vereinigtes Königreich
01-08-2006

Bitte besuchen Sie unsere Webseite www.blackanddecker.de, um Ihr neues Black & Decker Produkt zu registrieren und über neue Produkte und Sonderangebote informiert zu werden. Weitere Informationen über die Marke Black & Decker und unsere Produkte finden Sie unter www.blackanddecker.de.

Garantie

Black & Decker vertraut auf die Qualität der eigenen Geräte und bietet dem Käufer eine außergewöhnliche Garantie.

Diese Garantiezusage versteht sich unbeschadet der gesetzlichen Gewährleistungsansprüche und schränkt diese keinesfalls ein. Sie gilt in sämtlichen Mitgliedsstaaten der Europäischen Union und der Europäischen Freihandelszone EFTA.

Tritt innerhalb von 24 Monaten ab Kaufdatum an einem Gerät von Black & Decker ein auf Material- oder Verarbeitungsfehler zurückzuführender Mangel auf, garantiert Black & Decker den Austausch defekter Teile, die Reparatur von Geräten mit üblichem Verschleiß bzw. den Austausch eines mangelhaften Gerätes, ohne den Kunden dabei mehr als unbedingt nötig in Anspruch zu nehmen, allerdings vorbehaltlich folgender Ausnahmen:

- ◆ wenn das Gerät gewerblich, beruflich oder im Verleihgeschäft benutzt wurde;
- ◆ wenn das Gerät missbräuchlich verwendet oder mit mangelnder Sorgfalt behandelt wurde;
- ◆ wenn das Gerät durch irgendwelche Fremdeinwirkung beschädigt wurde;
- ◆ wenn ein unbefugter Reparaturversuch durch anderes Personal als das einer Vertragswerkstatt oder des Black & Decker Kundendienstes unternommen wurde.

Zur Inanspruchnahme dieser Garantie ist dem Verkäufer bzw. der Vertragswerkstatt ein Kaufnachweis vorzulegen. Die Adresse der zuständigen Niederlassung von Black & Decker steht in dieser Anleitung. Diese teilt Ihnen gern die nächstgelegene Vertragswerkstatt mit. Außerdem ist eine Liste der Vertragswerkstätten und aller Kundendienststellen von Black & Decker sowie der zuständigen Ansprechpartner im Internet zu finden unter:

www.2helpU.com

Utilisation

Votre aspirateur Black & Decker ne peut être utilisé que sur des surfaces sèches. Il est destiné à une utilisation exclusivement domestique.

Consignes de sécurité

Attention ! De simples précautions sont à prendre pour l'utilisation d'appareil branché à l'alimentation principale. Les conseils suivants doivent toujours être appliqués, ceci afin de réduire le risque d'incendie, les chocs électriques, les blessures et les dommages matériels.

- ◆ Lisez attentivement et entièrement le manuel avant d'utiliser l'appareil.
- ◆ Ce manuel décrit comment utiliser cet appareil. L'utilisation d'un accessoire ou d'une fixation, ou bien l'utilisation de cet appareil à d'autres fins que celles recommandées dans ce manuel d'instruction peut présenter un risque de blessures.
- ◆ Gardez ce manuel pour référence ultérieure.

Utilisation de votre appareil

- ◆ L'appareil doit toujours être arrêté (Off) avant de le brancher ou de le débrancher.
- ◆ Prenez toutes les précautions nécessaires pour utiliser l'appareil.
- ◆ N'utilisez pas l'appareil à l'extérieur.
- ◆ Ne tirez jamais sur le fil électrique pour débrancher la prise. Maintenez le fil électrique éloigné de toute source de chaleur, de zones graisseuses et de bords tranchants.
- ◆ Si le fil électrique est endommagé pendant l'utilisation, débranchez immédiatement l'appareil. Ne touchez surtout pas le fil électrique avant le débranchement.
- ◆ Débranchez l'appareil de la prise quand il n'est pas utilisé, ainsi qu'avant l'installation ou le retrait de pièces et avant le nettoyage.

Mesures de sécurité

- ◆ Ne laissez pas les enfants ou toute autre personne ne connaissant pas ces instructions, utiliser l'appareil.
- ◆ Ne laissez pas les enfants ou les animaux s'approcher de la zone de travail ou toucher l'appareil ou le fil électrique. Les enfants doivent être surveillés avec attention s'ils se trouvent près de l'appareil pendant l'utilisation.

Après l'utilisation

- ◆ Éteignez l'appareil et débranchez la prise avant de laisser l'appareil sans surveillance et avant de changer, nettoyer ou vérifier des pièces de l'appareil.
- ◆ Quand il n'est pas utilisé, l'appareil doit être rangé dans un endroit sec. Une fois rangés, les appareils ne doivent pas être accessibles aux enfants.

Vérification et réparations

- ◆ Avant l'utilisation, vérifiez si l'appareil est en bon état ou si aucune pièce ne manque. Recherchez des pièces cassées, des boutons endommagés et d'autres anomalies susceptibles de nuire au bon fonctionnement de l'appareil.
- ◆ N'utilisez pas l'appareil si une pièce est endommagée ou défectueuse.
- ◆ Faites réparer ou remplacer les pièces défectueuses ou endommagées par un réparateur agréé.
- ◆ Avant l'utilisation, vérifiez l'état du fil électrique (dommages, usures et vieillissement).
- ◆ N'utilisez pas l'appareil si le fil électrique ou la prise sont endommagés ou défectueux.
- ◆ Si le fil électrique ou la prise sont endommagés ou défectueux, il faut les faire réparer par un réparateur agréé pour éviter les risques d'accident. Ne coupez pas le fil électrique et n'essayez pas de le réparer.
- ◆ Ne tentez jamais de retirer ou de remplacer des pièces autres que celles citées dans ce manuel.

Sécurité électrique



Cet outil est doublement isolé; par conséquent, aucun câble de masse n'est nécessaire. Vérifiez si l'alimentation mentionnée sur la plaque signalétique de l'appareil correspond bien à la tension présente sur le lieu.

Consignes de sécurité supplémentaires pour les aspirateurs

- ◆ Avant l'utilisation, vérifiez toujours que le filtre est correctement installé.
- ◆ Ne soulevez pas l'appareil par la poignée du récipient à poussière.
- ◆ N'utilisez pas cet appareil pour aspirer des liquides.
- ◆ N'utilisez pas cet appareil pour aspirer des matériaux qui pourraient prendre feu.
- ◆ N'utilisez pas l'appareil près d'une source d'eau. Ne plongez pas l'appareil dans l'eau.
- ◆ N'approchez pas vos yeux et votre visage du moteur.
- ◆ Éloignez les enfants et les animaux pendant l'utilisation de l'appareil.
- ◆ Travaillez toujours de bas en haut pour aspirer dans les escaliers et gardez l'appareil à au moins une marche en dessous de celle où vous vous trouvez.
- ◆ N'utilisez pas l'appareil sans suceur ou autre accessoire à l'extrémité du tube.
- ◆ N'approchez pas les cheveux, vêtements ou gants des pièces mobiles de l'appareil. Ne touchez pas la brosse en rotation. Ne l'approchez pas du fil électrique.
- ◆ N'utilisez pas d'accessoires endommagés.
- ◆ N'utilisez que des accessoires Black & Decker.

Caractéristiques

Cet appareil comprend certains, ou tous, les éléments suivants :

1. Tuyau
2. Poignée du récipient à poussière
3. Bouton de nettoyage du filtre
4. Interrupteur marche/arrêt
5. Poignée
6. Bouton d'enroulement du fil
7. Embout suceur
8. Roues
9. Récipient à poussière
10. Tube rallonge
11. Bague de commande de débit d'air

Cet appareil peut aussi être livré avec certains, ou tous, les accessoires suivants (figure A) :

12. Suceur plat
13. Petite brosse
14. Brosse pour parquet (VN2010 / VN2200)
15. Brosse turbo (VN2200)

La brosse pour parquet n'est pas comprise sur tous les modèles. Cet accessoire est disponible auprès de votre centre de réparation / revendeur Black & Decker (cat. n° WV100).

La brosse turbo n'est pas comprise sur tous les modèles. Cet accessoire est disponible auprès de votre centre de réparation / revendeur Black & Decker (cat. n° WV200).

Assemblage

Raccordement du tuyau (figure A)

- ◆ Insérez l'extrémité du tuyau (16) dans le raccord (17) de l'appareil.
- ◆ Alignez les pattes à l'extrémité du tuyau avec les fentes dans le raccord.
- ◆ Glissez le tuyau jusqu'à ce que les boutons de dégagement (18) (2 positions) s'enclenchent.
- ◆ Pour retirer le tuyau, appuyez sur les boutons de dégagement (18) (2 positions) et tirez sur le tuyau.

Installation du tube rallonge (figure A)

- ◆ Appuyez sur le bouton de verrouillage (19) et glissez l'embout (20) dans le tube (10) pour l'enclencher.
- ◆ Pour retirer le tube (10), appuyez sur le bouton de verrouillage et tirez l'embout du tuyau (20) hors du tube.

Installation de l'embout suceur (figure A)

L'embout suceur (7) sert à aspirer les tapis et les surfaces dures (par exemple, les revêtements stratifiés et les dalles).

- ◆ Appuyez sur le bouton de verrouillage (21) et glissez le tube (10) dans l'embout suceur (7) pour l'enclencher.

- ◆ Pour retirer l'embout suceur (7), appuyez sur le bouton de verrouillage (21) et tirez sur le tube (10).

VN2010/VN2200 – Installation de la brosse pour parquet (figure A)

La brosse pour parquet (14) sert à aspirer sur les surfaces en bois lisse.

- ◆ Appuyez sur le bouton de verrouillage (21) et glissez le tube (10) dans la brosse (14) pour l'enclencher.
- ◆ Pour retirer la brosse (14), appuyez sur le bouton de verrouillage (21) et tirez sur le tube (10).

VN2200 – Installation de la brosse turbo (figure A)

La brosse turbo (15) sert à aspirer les moquettes.

Cette brosse est très utile pour aspirer les cheveux, les fils, etc., ainsi que pour « rafraîchir » une moquette.

- ◆ Appuyez sur le bouton de verrouillage (21) et glissez le tube (10) dans la brosse (15) pour l'enclencher.
- ◆ Pour retirer la brosse (15), appuyez sur le bouton de verrouillage (21) et tirez sur le tube (10).

Installation des accessoires (figure A)

Le suceur plat (12) sert à aspirer dans les endroits étroits et difficiles d'accès. La petite brosse sert à aspirer les meubles, les stores, les rideaux, les fenêtres et les escaliers. Les accessoires peuvent être installés sur le tuyau (1) et le tube (10).

- ◆ Appuyez sur le bouton de verrouillage (19 ou 21) et glissez les accessoires sur l'embout du tuyau (21) ou le tube (10).
- ◆ Pour retirer un accessoire, appuyez sur le bouton de verrouillage (19 ou 21) et tirez sur l'accessoire.

Quand ils ne sont pas utilisés, les accessoires peuvent être rangés sur le support (22). Le support des accessoires se trouve sur l'embout du tuyau. Il se fixe à ce niveau là. Pour le retirer, tirez le hors de l'embout. Les accessoires se rangent, comme indiqué figure A.

Utilisation

Enroulement et déroulement du fil

Il est possible d'appuyer sur le bouton d'enroulement du fil (6) avec le pied ou la main.

- ◆ Avant l'utilisation, tirez une longueur suffisante de fil depuis l'arrière de l'appareil.
- ◆ Après l'utilisation, appuyez sur le bouton d'enroulement du fil (6) pour enrouler le fil. Guidez le fil pour qu'il s'enroule correctement. Assurez-vous que la prise est correctement rangée.

Réglage de la longueur du tube (figure B)

Le tube rallonge (10) se compose de trois morceaux.

- ◆ Pour rallonger la partie inférieure et la partie du milieu, appuyez sur le bouton de réglage inférieur (23) et sortez complètement le tube jusqu'à l'enclenchement.
- ◆ Il existe 11 points de réglage des deux parties supérieures. Appuyez sur le bouton de réglage supérieur (24) et glissez le tube à la longueur désirée. Assurez-vous que le tube est bien enclenché.

Réglage de l'embout suceur (figure A)

- ◆ Pour aspirer les tapis, mettez le bouton (25) vers le haut.
- ◆ Pour aspirer les revêtements stratifiés et les dalles, etc., mettez le bouton (25) vers le bas.

Démarrage et arrêt

- ◆ Il est possible d'appuyer sur le bouton marche/arrêt (4) avec le pied ou la main.
- ◆ Pour mettre l'appareil en marche, appuyez sur l'interrupteur marche/arrêt (4).
- ◆ Pour arrêter l'appareil, appuyez de nouveau sur l'interrupteur marche/arrêt (4).

Réglage du débit d'air (figure B)

- ◆ Tournez la bague de commande de débit d'air (11) pour régler le débit comme désiré. La position maximum et la position minimum sont représentées.

Aspiration

- ◆ Quand l'aspirateur fonctionne, assurez-vous que le tuyau n'est pas coincé ou vrillé.
- ◆ En cas de surchauffe, un coupe-circuit arrête automatiquement l'appareil.
- ◆ Si l'appareil s'arrête automatiquement, débranchez-le et laissez-le refroidir pendant 2-3 heures.

Conseils pour une utilisation optimale

- ◆ Retirez le support des accessoires du tube pour aspirer plus facilement dans les espaces étroits.
- ◆ Aspirez toujours les escaliers de bas en haut. Laissez l'aspirateur sur le sol et aspirez jusqu'à la moitié des escaliers. Puis, portez l'appareil et placez-le sur une marche inférieure à votre position de travail et aspirez la moitié supérieure de l'escalier.

VN2200 – Utilisation de la brosse turbo (figure A)

- ◆ Le bouton de commande de variation de vitesse doit être à la vitesse la plus rapide. Déplacez le bouton sur le dessus de la brosse pour augmenter la force d'aspiration.
- ◆ Déplacez la brosse uniformément d'arrière en avant. Ne brossez pas un même endroit pendant longtemps, ceci pourrait endommager la surface.

Transport de l'appareil (figure C)

L'appareil peut être porté à l'aide de la poignée (5).

- ◆ Placez la poignée, comme indiqué.

Rangement temporaire de l'embout suceur (figure D)

- ◆ Pour avoir l'embout suceur toujours à disposition pendant l'aspiration, l'installez sur le support, comme indiqué.

Rangement de l'appareil (figure E et F)

Attention ! L'appareil doit être arrêté et débranché pour le ranger.

- ◆ Assurez-vous que le fil est complètement enroulé.
- ◆ Placez l'appareil en position verticale.
- ◆ Enroulez le tuyau autour de l'appareil.
- ◆ Insérez le crochet de l'embout suceur (26) dans le logement prévu à cet effet.
- ◆ Poussez le tube jusqu'à ce que le système de blocage (27) s'enclenche dans le logement correspondant à cet effet sur l'appareil, comme indiqué. Le système de blocage (27) s'enclenche automatiquement.
- ◆ Rangez l'appareil dans un endroit sec. Il peut être porté par la poignée (2).
- ◆ Pour prendre le tube de l'appareil, appuyez sur le levier du système de blocage (27) sur l'arrière du tube et tirez le tube de l'appareil pour le retirer des fentes de rangement.

Entretien

Votre outil Black & Decker a été conçu pour fonctionner pendant longtemps avec un minimum d'entretien. Un fonctionnement continu satisfaisant dépend d'un nettoyage régulier et d'un entretien approprié de l'outil.

Nettoyage du filtre

Un système de nettoyage de filtre est installé sur l'appareil.

- ◆ Après chaque utilisation, arrêtez l'appareil sans le débrancher.
- ◆ Assurez-vous que le récipient à poussière est correctement installé.
- ◆ Appuyez sur le bouton de nettoyage du filtre (3). Le cycle de nettoyage se met en marche pendant 10 secondes, puis s'arrête automatiquement. Le filtre est automatiquement nettoyé au cours du cycle.
- ◆ L'appareil peut alors être débranché.

L'appareil est ainsi prêt à fonctionner au maximum de sa capacité pour la prochaine utilisation.

Remarque : l'aspiration est impossible pendant le cycle de nettoyage du filtre. Si l'aspirateur est mis en marche pendant le cycle de nettoyage du filtre, le cycle s'arrête.

Attention ! Avant d'effectuer des réparations ou un nettoyage de l'appareil, débranchez-le.

- ◆ Nettoyez régulièrement les orifices de ventilation de votre appareil à l'aide d'une brosse souple ou d'un chiffon sec.
- ◆ Nettoyez régulièrement le compartiment du moteur à l'aide d'un chiffon humide. N'utilisez pas de produit abrasif ou à base de solvant.

VN2200 – Nettoyage de la brosse turbo (figure G)

- ◆ Retirez les cheveux ou les fils accrochés sur la brosse (28).

Utilisez une paire de ciseaux, le cas échéant.

- ◆ Retirez le couvercle (29) pour enlever les corps étrangers bloqués dans la turbine (30). Ré-installez le couvercle.

Évacuation de la poussière du récipient (figure H et I)

Le récipient (9) doit être vidé quand la poussière atteint le repère maximum.

- ◆ Retirez le récipient à poussière (9) de l'appareil en appuyant sur les deux boutons de dégagement (31). Soulevez-le pour le sortir de l'appareil.
- ◆ Appuyez sur le dispositif de verrouillage (32) pour évacuer la poussière.
- ◆ Videz le récipient.
- ◆ Nettoyez le filtre, comme décrit ci-dessous.
- ◆ Fermez la porte inférieure en l'enclenchant correctement.
- ◆ Ré-installez le récipient (9) dans l'appareil. Les boutons de dégagement (31) doivent être bien enclenchés.
- ◆ Appuyez sur le bouton de nettoyage du filtre (3). Le cycle de nettoyage se met en marche pendant 10 secondes, puis s'arrête automatiquement. L'appareil est ainsi prêt à fonctionner au maximum de sa capacité pour la prochaine utilisation.

Nettoyage

Attention ! Avant toute opération d'entretien et de nettoyage, éteignez et débranchez l'appareil.

- ◆ De temps en temps, passez un chiffon humide sur l'appareil. N'utilisez pas de produit abrasif ou à base de solvant. Ne plongez pas l'appareil dans l'eau.

Nettoyage des filtres du récipient à poussière (figures H - K)

Les filtres empêchent la poussière et les saletés d'entrer dans le compartiment du moteur. Les filtres sont réutilisables et doivent être nettoyés régulièrement.

- ◆ Retirez le récipient de l'appareil (figure H).
- ◆ Appuyez sur le dispositif de verrouillage (32) pour ouvrir la porte inférieure (figure I).
- ◆ Retirez le pré-filtre (33) du récipient (9) (figure J) en le tournant dans le sens inverse des aiguilles d'une montre.
- ◆ Sortez le filtre (34) de son support (figure K).

Attention ! Ne nettoyez pas le filtre avec de l'air comprimé ou une brosse.

- ◆ Selon son état, rincez l'extérieur avec de l'eau. Laissez-le sécher pendant 24 heures avant de le ré-installer.

Attention ! Ne lavez pas l'intérieur du filtre.

- ◆ Remplacez le filtre.
- ◆ Ré-installez le pré-filtre.
- ◆ Fermez la porte inférieure.
- ◆ Ré-installez le récipient dans l'appareil.

Nettoyage du filtre du moteur (figures H et L)

Le filtre du moteur (35) empêche les particules et les gros objets d'entrer dans le compartiment du moteur, pendant le retrait du récipient à poussière.

Le filtre (35) est réutilisable et doit être nettoyé régulièrement.

- ◆ Retirez le récipient de l'appareil (figure H).
- ◆ Sortez le filtre (35) (figure L).
- ◆ Brossez la poussière déposée sur le filtre.
- ◆ Remplacez le filtre (35).
- ◆ Ré-installez le récipient dans l'appareil.

Remplacement des filtres

Si le filtre du récipient à poussière (34) est endommagé ou n'est plus efficace, il doit être remplacé. Vous trouverez des filtres de rechange chez votre revendeur Black & Decker (cat. n° VLF50).

Remplacement du filtre du récipient à poussière

- ◆ Suivez la procédure ci-dessus pour remplacer le filtre (34).

Remplacement du filtre de sortie (figure M et N)

L'appareil est muni d'un filtre permanent. Si celui-ci doit malgré tout être remplacé, effectuez ce qui suit :

- ◆ Retirez les deux vis (36).
- ◆ Retirez le couvercle (37) avec un outil pour le soulever.
- ◆ Retirez le filtre usé (38) en le tirant.
- ◆ Insérez le nouveau filtre, comme indiqué.
- ◆ Revissez le couvercle.

Remplacement des prises principales (RU et Irlande uniquement)

Si une nouvelle prise doit être installée :

- ◆ Mettez au rebut la vieille prise.
- ◆ Branchez le fil brun dans la fiche de la nouvelle prise.
- ◆ Branchez le fil bleu à la borne neutre.

Attention ! Aucune connexion ne doit être faite à la borne de terre. Suivez les instructions de montage fournies avec les prises de bonne qualité. Fusibles recommandés : 5 A.

Protection de l'environnement



Si vous pensez un jour que votre outil doit être remplacé ou que vous n'en avez plus l'usage, songez à la protection de l'environnement. Les réparateurs agréés Black & Decker peuvent récupérer les anciens appareils Black & Decker et les mettre au rebut en conformité avec la protection de l'environnement.



La collecte séparée des produits et des emballages usagés permet de recycler et de réutiliser des matériaux. La réutilisation de matériaux recyclés évite la pollution de l'environnement et réduit la demande de matières premières.

Des réglementations locales peuvent stipuler la collecte séparée des produits électriques et des produits ménagers, dans des déchetteries municipales ou par le revendeur lorsque vous achetez un nouveau produit.

Black & Decker fournit un dispositif permettant de recycler les produits Black & Decker lorsqu'ils ont atteint la fin de leur cycle de vie. Pour pouvoir profiter de ce service, veuillez retourner votre produit à un réparateur agréé qui se chargera de le collecter pour nous.

Pour connaître l'adresse du réparateur agréé le plus proche de chez vous, contactez le bureau Black & Decker à l'adresse indiquée dans ce manuel. Vous pourrez aussi trouver une liste de réparateurs agréés de Black & Decker et de plus amples détails concernant notre service après-vente sur le site Internet : www.2helpU.com.

Caractéristiques techniques

		VN1800	VN2000	VN2010	VN2200
Tension	V c.a.	230	230	230	230
(Australie et Nouvelle Zélande) V c.a. 240					
Puissance absorbée	W	1800	2000	2000	2200
Longueur du câble	m	6	7	7	8
Dimension du récipient	l	2,5	2,5	2,5	2,5
Poids	kg	9,1	9,6	9,6	9,7

Déclaration de conformité CE

VN1800/VN2000/VN2010/VN2200

Black & Decker déclare que ces produits sont conformes à :
89/336/CEE, 73/23/CEE, EN 55014, EN 61000, EN 60335,
EN 61000-3-11

Niveau de pression sonore, mesuré selon la norme
EN 60704-1 : = 73 dB(A)

Kevin Hewitt
Directeur Ingénierie Client
Spennymoor, County Durham
DL16 6JG,
Royaume-Uni
01-08-2006

Garantie

Black & Decker vous assure la qualité de ses produits et vous offre une garantie très étendue. Ce certificat de garantie est un document supplémentaire et ne peut en aucun cas se substituer à vos droits légaux. La garantie est valable sur tout le territoire des États Membres de l'Union Européenne et de la Zone de Libre Échange Européenne.

Si un produit Black & Decker s'avère défectueux en raison de matériaux en mauvais état, d'une erreur humaine, ou d'un manque de conformité dans les 24 mois suivant la date d'achat, Black & Decker garantit le remplacement des pièces défectueuses, la réparation des produits usés ou cassés ou remplace ces produits à la convenance du client, sauf dans les circonstances suivantes :

- ◆ Le produit a été utilisé dans un but commercial, professionnel, ou a été loué.
- ◆ Le produit a été mal utilisé ou avec négligence.
- ◆ Le produit a subi des dommages à cause de corps étrangers, de substances ou d'accidents.
- ◆ Des réparations ont été tentées par des techniciens ne faisant pas partie du service technique de Black & Decker.

Pour avoir recours à la garantie, il est nécessaire de fournir une preuve d'achat au vendeur ou à un réparateur agréé.

Pour connaître l'adresse du réparateur agréé le plus proche de chez vous, contactez le bureau Black & Decker à l'adresse indiquée dans ce manuel. Vous pourrez aussi trouver une liste de réparateurs agréés de Black & Decker et de plus amples détails sur notre service après-vente sur le site Internet à l'adresse suivante :

www.2helpU.com

Visitez notre site Web **www.blackanddecker.co.uk** pour enregistrer votre nouveau produit Black & Decker et être informé des nouveaux produits et des offres spéciales.

Pour plus d'informations concernant la marque Black & Decker et notre gamme de produits, consultez notre site **www.blackanddecker.co.uk**.

Uso previsto

L'aspirapolvere Black & Decker è stato progettato per l'aspirazione di polvere asciutta. Questo prodotto è stato progettato solo per uso domestico.

Istruzioni di sicurezza

Attenzione! Quando si usano elettrodomestici alimentati elettricamente, osservare sempre le normali precauzioni di sicurezza per ridurre il rischio di incendio, scosse elettriche, lesioni personali e danni materiali.

- ◆ Leggere attentamente il presente manuale prima di usare l'elettrodomestico.
- ◆ L'uso previsto è descritto nel presente manuale. Se questo elettrodomestico viene usato con accessori o per usi diversi da quelli raccomandati nel presente manuale d'uso, si potrebbero verificare lesioni personali.
- ◆ Conservare il presente manuale per futura consultazione.

Utilizzo dell'elettrodomestico

- ◆ Accertarsi che l'elettrodomestico sia spento prima di collegarlo o scollegarlo dall'alimentazione elettrica.
- ◆ Prestare sempre attenzione quando si usa l'elettrodomestico.
- ◆ Non usare l'elettrodomestico all'aperto.
- ◆ Non tirare mai il filo di alimentazione per scollegare la spina dalla presa. Tenere il filo di alimentazione lontano da fonti di calore, olio e bordi taglienti.
- ◆ Se il filo di alimentazione subisce danni durante l'uso, scollegare immediatamente l'elettrodomestico dall'alimentazione elettrica. Non toccare il filo di alimentazione prima di scollegarlo dall'alimentazione elettrica.
- ◆ Scollegare l'elettrodomestico dall'alimentazione elettrica quando non è in uso e prima di inserire o staccare gli accessori e prima del lavaggio.

Sicurezza altrui

- ◆ Vietare l'uso dell'elettrodomestico a bambini e ad adulti che non abbiano letto il presente manuale.
- ◆ Vietare a bambini o ad animali di avvicinarsi all'area di lavoro o di toccare l'elettrodomestico o il filo di alimentazione. Prestare la massima attenzione quando si usa l'elettrodomestico vicino ai bambini.

Dopo l'impiego

- ◆ Prima di lasciare incustodito l'elettrodomestico e prima di cambiarne, pulirne o ispezionarne i componenti, spegnerlo ed estrarre la spina dalla presa.
- ◆ Quando non viene usato, riporre l'elettrodomestico in un luogo asciutto. Gli elettrodomestici non devono essere riposti alla portata dei bambini.

Ispezione e riparazioni

- ◆ Prima dell'impiego, controllare che l'elettrodomestico non sia danneggiato e non presenti parti difettose. Controllare che non vi siano parti rotte, che gli interruttori non siano danneggiati e che non vi siano altre condizioni che potrebbero avere ripercussioni sulle prestazioni.
- ◆ Non usare l'elettrodomestico se alcune parti sono danneggiate o difettose.
- ◆ Far riparare o sostituire le parti danneggiate o difettose da un tecnico autorizzato.
- ◆ Prima dell'uso, controllare che il filo di alimentazione non presenti segni di danni, invecchiamento e usura.
- ◆ Non usare l'elettrodomestico se il filo di alimentazione o la spina sono danneggiati o difettosi.
- ◆ Se il filo di alimentazione o la spina sono danneggiati o difettosi, devono essere riparati da un tecnico autorizzato per evitare che costituiscano un rischio. Non tagliare il filo di alimentazione e non tentare di ripararlo personalmente.
- ◆ Non tentare di smontare o sostituire qualsiasi parte ad eccezione di quelle specificate nel presente manuale.

Sicurezza elettrica



Il doppio isolamento di cui è provvisto l'elettrodomestico rende superfluo il filo di terra. Controllare sempre che l'alimentazione corrisponda alla tensione indicata sulla targhetta delle caratteristiche.

Ulteriori precauzioni di sicurezza per gli aspirapolvere

- ◆ Prima dell'impiego, controllare sempre che il filtro sia montato in modo corretto.
- ◆ Non trasportare l'elettrodomestico dal manico del contenitore.
- ◆ Non usare l'elettrodomestico per aspirare liquidi.
- ◆ Non usare l'elettrodomestico per aspirare materiali che potrebbero incendiarsi.
- ◆ Non usare l'elettrodomestico vicino all'acqua. Non immergere l'elettrodomestico in acqua.
- ◆ Tenere lo scarico del motore lontano da occhi e viso.
- ◆ Tenersi a una distanza di sicurezza da bambini e animali quando si usa questo elettrodomestico.
- ◆ Procedere sempre dal piano inferiore a quello superiore quando si usa l'elettrodomestico per pulire le scale, mantenendosi almeno un gradino al di sotto della posizione da cui si lavora.
- ◆ Non usare l'elettrodomestico senza aver montato per prima cosa sul tubo una bocchetta o un altro accessorio idoneo.

- ◆ Tenere capelli, vestiti e guanti lontani da pezzi in movimento. Non infilare le dita nel rullo in movimento. Tenere il rullo in movimento lontano dal filo di alimentazione.
- ◆ Non usare accessori danneggiati.
- ◆ Usare solo accessori Black & Decker.

Caratteristiche

Si indicano di seguito le caratteristiche di cui questo elettrodomestico è dotato:

1. Tubo flessibile
2. Manico contenitore
3. Interruttore di pulitura filtro
4. Interruttore di accensione
5. Manico
6. Pulsante di riavvolgimento filo
7. Bocchetta aspirante
8. Ruote
9. Contenitore
10. Tubo rigido di prolunga
11. Interruttore regolazione flusso aria

Questo elettrodomestico viene inoltre fornito con alcuni o con tutti gli accessori elencati di seguito (fig. A):

12. Bocchetta a lancia
13. Spazzola a pennello
14. Spazzola per pavimenti (VN2010 / VN2200)
15. Spazzola turbo (VN2200)

La spazzola per pavimenti non fa parte della dotazione di tutti i modelli. Questo accessorio può essere acquistato presso il rivenditore / centro assistenza Black & Decker (n. di catalogo WV100).

La spazzola turbo non fa parte della dotazione di tutti i modelli. Questo accessorio può essere acquistato presso il rivenditore / centro assistenza Black & Decker (n. di catalogo WV200).

Assemblaggio

Collegamento del tubo flessibile (fig. A)

- ◆ Infilare la ghiera del tubo flessibile (16) nella presa (17) dell'elettrodomestico.
- ◆ Allineare le linguette sulla ghiera del tubo flessibile alle fessure nella presa.
- ◆ Infilare ulteriormente il tubo flessibile fino a quando i pulsanti di rilascio (18) (2 posizioni) si agganciano in sede.
- ◆ Per scollegare il tubo flessibile, premere i pulsanti di rilascio (18) (2 posizioni) ed estrarre il tubo flessibile.

Montaggio del tubo rigido di prolunga (fig. A)

- ◆ Premere il pulsante di bloccaggio (19) e infilare l'estremità del tubo flessibile (20) nel tubo rigido (10) fino a quando si aggancia in sede.
- ◆ Per staccare il tubo (10), premere il pulsante di bloccaggio ed estrarre l'estremità del tubo flessibile (20) dal tubo.

Montaggio della bocchetta aspirante (fig. A)

La bocchetta aspirante (7) consente di aspirare moquette e pavimentazioni (ad esempio piastrelle e pavimenti laminati).

- ◆ Premere il pulsante di bloccaggio (21) e infilare il tubo (10) nella bocchetta (7) fino a quando si aggancia in sede.
- ◆ Per togliere la bocchetta (7), premere il pulsante di bloccaggio (21) ed estrarre il tubo (10) dalla bocchetta (7).

VN2010/VN2200 – Montaggio della spazzola per pavimentazioni in legno (fig. A)

La spazzola per pavimentazioni in legno (14) consente di pulire pavimentazioni in legno e lucidate.

- ◆ Premere il pulsante di bloccaggio (21) e infilare il tubo (10) nella bocchetta (14) fino a quando si aggancia in sede.
- ◆ Per togliere la spazzola (14), premere il pulsante di bloccaggio (21) ed estrarre il tubo (10) dalla spazzola.

VN2200 – Montaggio della spazzola turbo (fig. A)

La spazzola turbo (15) consente di pulire le moquette.

Questa spazzola è particolarmente utile per aspirare capelli, fili, ecc., oltre che a ravvivare le fibre calpestate dei tappeti.

- ◆ Premere il pulsante di bloccaggio (21) e infilare il tubo (10) nella bocchetta (15) fino a quando si aggancia in sede.
- ◆ Per togliere la spazzola (15), premere il pulsante di bloccaggio (21) ed estrarre il tubo (10) dalla spazzola.

Montaggio degli accessori (fig. A)

La bocchetta a lancia (12) consente di pulire interstizi e punti difficili da raggiungere. La spazzola a pennello (13) consente di pulire mobili, tapparelle, tende, finestre e scale. Gli accessori possono essere montati sia sul tubo flessibile (1) sia su quello rigido (10).

- ◆ Premere il pulsante di bloccaggio (19 o 21) e inserire l'accessorio sull'estremità del tubo flessibile (20) oppure sul tubo rigido (10).
- ◆ Per staccare l'accessorio, premere il pulsante di bloccaggio (19 o 21) ed estrarre l'accessorio.

Quando non sono usati, gli accessori possono essere riposti nell'apposito supporto (22). Il supporto degli accessori si trova sull'estremità del tubo flessibile, dove è agganciato in sede. Per staccarlo, tirarlo via dell'estremità del tubo flessibile. Gli utensili sono conservati come illustrato in fig. A.

Utilizzo

Srotolamento e riavvolgimento del filo

Il pulsante di riavvolgimento del filo (6) può essere azionato a mano o con il piede.

- ◆ Prima dell'impiego, tirare una quantità sufficiente di filo dal retro dell'elettrodomestico.
- ◆ Dopo l'impiego, premere il pulsante di riavvolgimento del filo (6) per riavvolgere il filo nella rispettiva sede. Guidare il filo con la mano per avere la certezza che non si srotoli di nuovo. Verificare che la spina sia posizionata correttamente.

Regolazione della lunghezza del tubo (fig. B)

Il tubo di prolunga (10) è composto da un massimo di tre pezzi.

- ◆ Per allungare il pezzo centrale o quello inferiore, premere il pulsante di regolazione inferiore (23) e sfilare completamente il tubo fino a quando si aggancia in sede.
- ◆ I due pezzi superiori possono essere regolati in 11 posizioni. Premere il pomello del pulsante di regolazione superiore (24) e sfilare il tubo fino a quando è della corretta lunghezza. Accertarsi che il tubo si agganci in sede.

Regolazione della bocchetta aspirante (fig. A)

- ◆ Per la pulitura di moquette, regolare il selettore della pavimentazione (25) in posizione rialzata.
- ◆ Per la pulitura di piastrelle o pavimentazioni laminate, ecc., regolare il selettore della pavimentazione (25) in posizione abbassata.

Accensione e spegnimento.

- ◆ L'interruttore di accensione (4) può essere azionato a mano o con il piede.
- ◆ Per accendere l'elettrodomestico, premere l'interruttore di accensione (4).
- ◆ Per spegnere l'elettrodomestico, premere di nuovo l'interruttore di accensione (4).

Regolazione del flusso d'aria (fig. B)

- ◆ Ruotare il comando del flusso dell'aria (11) per regolare il flusso come richiesto. Si illustrano le posizioni massime e minime.

Pulitura con aspirapolvere

- ◆ Quando si utilizza l'elettrodomestico, accertarsi che il tubo flessibile non sia bloccato, attorcigliato o impigliato.
- ◆ In caso di surriscaldamento, si attiva un interruttore automatico che arresta automaticamente l'elettrodomestico.
- ◆ Se l'elettrodomestico smette di funzionare, scollegarlo dalla presa e lasciare che si raffreddi per 2-3 ore.

Consigli per un ottimo utilizzo

- ◆ Quando si pulisce in spazi ristretti, togliere temporaneamente il supporto degli accessori dal tubo per migliorare il raggio di azione.
- ◆ Quando si esegue la pulitura di scale, partire sempre dal basso e procedere verso l'alto. Posizionare l'elettrodomestico sul pavimento e pulire le scale fino a metà. Dopo di che trasportare l'elettrodomestico in un punto stabile che si trovi almeno un gradino al di sotto della posizione da dove si lavora e pulire la metà superiore delle scale.

VN2200 – Utilizzo della spazzola turbo (fig. A)

- ◆ Verificare che il comando della velocità si trovi sulla regolazione massima. Spostare la leva scorrevole sulla parte superiore della spazzola come richiesto per ottimizzare la forza aspirante.
- ◆ Spostare uniformemente avanti e indietro la spazzola. Non tenere la spazzola nella medesima posizione per parecchio tempo, dato che facendolo si potrebbe danneggiare la superficie.

Trasporto dell'elettrodomestico (fig. C)

Durante l'impiego l'elettrodomestico può essere trasportato mediante il manico (5).

- ◆ Inclinare il manico nella posizione illustrata.

Riporre provvisoriamente la bocchetta aspirante (fig. D)

- ◆ Usare tale posizione per riporre provvisoriamente la bocchetta aspirante.

Come riporre l'elettrodomestico (figg. E e F)

Attenzione! Prima di riporre l'elettrodomestico, spegnerlo e scollegarlo dalla presa.

- ◆ Accertarsi che il filo si sia completamente riavvolto.
- ◆ Appoggiare l'elettrodomestico in posizione verticale.
- ◆ Avvolgere il filo attorno all'elettrodomestico.
- ◆ Infilare il gancio della bocchetta aspirante (26) nella gola nell'elettrodomestico.
- ◆ Calzare il tubo fino a quando il dispositivo di bloccaggio (27) si infila nella corrispondente gola nell'elettrodomestico come illustrato. Il dispositivo di bloccaggio (27) si innesta automaticamente.
- ◆ Conservare l'elettrodomestico in un luogo asciutto. L'elettrodomestico può essere trasportato mediante la maniglia del contenitore (2).
- ◆ Per staccare il tubo dall'elettrodomestico e usarlo, premere la leva sul dispositivo di bloccaggio (27) sul retro del tubo, staccarlo dall'apparecchio ed estrarre il tubo e la bocchetta dalle fessure di fissaggio.

Manutenzione

Questo elettrodomestico Black & Decker è stato progettato per funzionare a lungo con un minimo di manutenzione. Per ottenere prestazioni sempre soddisfacenti occorre avere cura dell'elettrodomestico e sottoporlo a manutenzione periodica.

Pulitura del filtro

Questo elettrodomestico è dotato di funzione di pulitura del filtro.

- ◆ Dopo ogni impiego, spegnere l'elettrodomestico senza scollegarlo dalla presa.
- ◆ Accertarsi che il contenitore sia saldamente fissato in sede.
- ◆ Premere il comando di pulitura del filtro (3) attivando in questo modo il ciclo di pulitura del filtro che dura 10 secondi e che si disattiva dopo questo periodo di tempo. Durante i 10 secondi di attivazione, l'impianto di pulitura automatico pulisce il filtro.
- ◆ A questo punto è possibile scollegare la spina dalla presa.

In questo modo si ha la certezza che in occasione del successivo utilizzo, si avranno delle prestazioni ottimali.

Nota: Questo elettrodomestico è stato progettato in modo tale da non permetterne l'utilizzo durante il ciclo di pulitura del filtro. Se l'aspirapolvere viene acceso durante il ciclo di pulitura del filtro, tale ciclo si interrompe.

Attenzione! Prima di eseguire la manutenzione dell'elettrodomestico oppure di pulirlo, scollegarlo dalla presa.

- ◆ Le prese di ventilazione dell'elettrodomestico devono essere pulite regolarmente con un pennello o un panno morbido e asciutto.
- ◆ Il vano del motore deve essere pulito regolarmente con un panno umido. Non usare materiali abrasivi o detergenti a base di solventi.

VN2200 – Pulitura della spazzola turbo (fig. G)

- ◆ Eliminare capelli o fili attorcigliatisi sulla spazzola (28).

Usare un paio di forbici se necessario.

- ◆ Staccare il coperchio (29) per eliminare eventuali oggetti che bloccano la turbina dell'aria (30). Rimontare il coperchio.

Svuotamento del contenitore (figg. H e I)

Il contenitore (9) deve essere svuotato quando la polvere raccolta arriva all'indice di massimo indicato sul cestello.

- ◆ Staccare il contenitore (9) dall'elettrodomestico premendo i due pulsanti di rilascio (31) ed estraendolo.
- ◆ Premere il gancio dello sportello inferiore (32) per svuotare la polvere.
- ◆ Svuotare il contenitore come richiesto.
- ◆ Pulire il filtro come descritto di seguito.

- ◆ Chiudere lo sportello inferiore e accertarsi che si agganci in sede.
- ◆ Rimontare il contenitore (9) nell'elettrodomestico accertandosi che i pulsanti di rilascio (31) si aggancino in sede.
- ◆ Premere il comando di pulitura del filtro (3) attivando in questo modo il ciclo di pulitura del filtro che dura 10 secondi e che si disattiva dopo questo periodo di tempo. In questo modo si ha la certezza che in occasione del successivo utilizzo, si avranno delle prestazioni ottimali.

Pulizia

Attenzione! Prima di eseguire la pulizia e la manutenzione, spegnere l'elettrodomestico e scollegarlo dalla presa.

- ◆ Strofinare di tanto in tanto l'elettrodomestico con un panno umido. Non usare materiali abrasivi o detergenti a base di solventi. Non immergere l'elettrodomestico in acqua.

Pulitura dei filtri del contenitore (figg. H - K)

I filtri del contenitore impediscono a polvere e impurità di penetrare nel vano motore. I filtri sono riutilizzabili e devono essere puliti periodicamente.

- ◆ Staccare il contenitore dall'elettrodomestico (fig. H).
- ◆ Premere il gancio dello sportello inferiore (32) per aprire quest'ultimo (fig. I).
- ◆ Staccare il prefiltro (33) dal contenitore (9) (fig. J) ruotandolo in senso antiorario.
- ◆ Staccare il filtro (34) dal rispettivo supporto (fig. K).

Attenzione! Non spazzolare e non usare aria compressa per pulire il filtro.

- ◆ A seconda dello stato, risciacquare la parte esterna del filtro con acqua. Lasciare che il filtro si asciughi per 24 ore prima di inserirlo di nuovo.

Attenzione! Non lavare l'interno del filtro.

- ◆ Sostituire il filtro.
- ◆ Rimontare il prefiltro.
- ◆ Chiudere lo sportello inferiore.
- ◆ Inserire di nuovo il contenitore nell'elettrodomestico.

Pulitura del filtro del motore (figg. H e L)

Il filtro del motore (35) impedisce l'ingresso di particelle e di oggetti di una certa dimensione nel vano motore quando si toglie il filtro.

Il filtro (35) è riutilizzabile e deve essere pulito regolarmente.

- ◆ Staccare il contenitore dall'elettrodomestico (fig. H).
- ◆ Estrarre il filtro (35) (fig. L).
- ◆ Spazzolare via l'eventuale polvere presente sul filtro.
- ◆ Sostituire il filtro (35).
- ◆ Inserire di nuovo il contenitore nell'elettrodomestico.

Sostituzione dei filtri

Il filtro del contenitore (34) deve essere sostituito se è danneggiato o non funziona in modo corretto. I filtri di ricambio sono reperibili presso il rivenditore Black & Decker (n. cat. VLF50):

Sostituzione del filtro del contenitore

- ◆ Procedere come descritto qui sopra per sostituire il filtro (34).

Sostituzione del filtro di uscita (figg. M e N)

L'elettrodomestico è dotato di filtro a vita ma, se fosse necessario sostituirlo, farlo nel modo descritto di seguito:

- ◆ Svitare le due viti (36)
- ◆ Staccare il coperchio (37) usando un utensile per sollevarlo.
- ◆ Estrarre il vecchio filtro (38) scalzandolo.
- ◆ Inserire il nuovo filtro come illustrato.
- ◆ Rimettere il coperchio con le due viti (36).

Sostituzione della spina (solo Regno Unito e Irlanda)

Se è necessario montare una nuova spina,

- ◆ smaltire in tutta sicurezza quella vecchia.
- ◆ Collegare il filo marrone al morsetto sotto tensione della nuova spina.
- ◆ Collegare il filo blu al morsetto neutro.

Attenzione! Non effettuare nessun collegamento sul morsetto di terra. Seguire le istruzioni fornite con le spine di buona qualità. Fusibile raccomandato: 5 A.

Protezione dell'ambiente



Nel caso in cui l'elettrodomestico non sia più necessario, è possibile restituirlo ai tecnici Black & Decker che provvederanno a smaltirlo in modo sicuro per l'ambiente.



La raccolta differenziata dei prodotti e degli imballaggi utilizzati consente il riciclaggio dei materiali e il loro continuo utilizzo. Il riutilizzo dei materiali riciclati favorisce la protezione dell'ambiente prevenendo l'inquinamento e

riduce il fabbisogno di materie prime.

Seguire la regolamentazione locale per la raccolta differenziata dei prodotti elettrici che può prevedere punti di raccolta o la consegna dell'elettrodomestico al rivenditore presso il quale viene acquistato un nuovo prodotto.

Black & Decker offre ai suoi clienti la possibilità di riciclare i prodotti Black & Decker che hanno esaurito la loro vita di servizio. Per usufruire di tale servizio, è sufficiente restituire il prodotto a qualsiasi tecnico autorizzato, incaricato della raccolta per conto dell'azienda.

Per individuare il tecnico autorizzato più vicino, rivolgersi alla sede Black & Decker locale, presso il recapito indicato nel presente manuale. In alternativa, un elenco completo di tutti i tecnici autorizzati Black & Decker e i dettagli completi sui contatti e i servizi post-vendita sono disponibili su Internet presso: www.2helpU.com.

Dati tecnici

		VN1800	VN2000	VN2010	VN2200
Tensione	V C.A.230	230	230	230	230
(Australia e Nuova Zelanda) V C.A. 240					
Potenza assorbita	W	1800	2000	2000	2200
Lunghezza cavo	m	6	7	7	8
Dimensione contenitore	l	2,5	2,5	2,5	2,5
Peso	kg	9,1	9,6	9,6	9,7

Dichiarazione CE di conformità

VN1800/VN2000/VN2010/VN2200

Black & Decker dichiara che i presenti prodotti sono conformi alle normative:

89/336/CEE, 73/23/CEE, EN 55014, EN 61000, EN 60335, EN 61000-3-11

Livello di pressione sonora misurato in base a EN 60704-1: = 73 dB (A)

Kevin Hewitt

Direttore tecnico prodotti di consumo

Spennymoor, County Durham
DL16 6JG,

Regno Unito
01-08-2006

Garanzia

Certa della qualità dei suoi prodotti, Black & Decker offre una garanzia eccezionale. Il presente certificato di garanzia è complementare ai diritti legali e non li pregiudica in alcun modo. La garanzia è valida entro il territorio degli Stati membri dell'Unione Europea e dell'EFTA (European Free Trade Area).

Se un prodotto Black & Decker risulta difettoso per qualità del materiale, della costruzione o per mancata conformità entro 24 mesi dalla data di acquisto, Black & Decker garantisce la sostituzione delle parti difettose, provvede alla riparazione dei prodotti se ragionevolmente usurati oppure alla loro sostituzione, in modo da ridurre al minimo il disagio del cliente a meno che:

- ◆ Il prodotto non sia stato destinato ad usi commerciali, professionali o al noleggio;

- ◆ Il prodotto non sia stato usato in modo improprio o scorretto;
- ◆ Il prodotto non abbia subito danni causati da oggetti o sostanze estranee oppure incidenti;
- ◆ Il prodotto non abbia subito tentativi di riparazione non effettuati da tecnici autorizzati né dall'assistenza Black & Decker.

Per attivare la garanzia è necessario esibire la prova comprovante l'acquisto al venditore o al tecnico autorizzato. Per individuare il tecnico autorizzato più vicino, rivolgersi alla sede Black & Decker locale, presso il recapito indicato nel presente manuale. Altrimenti un elenco completo di tutti i tecnici autorizzati Black & Decker e i dettagli completi sui contatti e i servizi post-vendita sono disponibili su Internet presso:

www.2helpU.com

I clienti che desiderano registrare il nuovo prodotto Black & Decker e ricevere gli aggiornamenti sui nuovi prodotti e le offerte speciali, sono invitati a visitare il sito Web (**www.blackanddecker.it**). Ulteriori informazioni sul marchio e la gamma di prodotti Black & Decker sono disponibili all'indirizzo **www.blackanddecker.it**.

Beoogd gebruik

Uw Black & Decker-stofzuiger is ontworpen voor droge stofzuigwerkzaamheden. Het product is uitsluitend bestemd voor huishoudelijk gebruik.

Veiligheidsinstructies

Waarschuwing! Bij apparaten voor gebruik op de netspanning moeten bepaalde elementaire voorzorgsmaatregelen, waaronder de navolgende, in acht worden genomen om het gevaar voor brand, elektrische schokken, persoonlijk letsel en materiële schade tot een minimum te beperken.

- ◆ Lees deze handleiding zorgvuldig door voordat u het apparaat in gebruik neemt.
- ◆ In deze handleiding wordt ingegaan op het beoogde gebruik. Het gebruik van andere accessoires of hulpstukken dan wel de uitvoering van andere handelingen dan in deze gebruikershandleiding worden aanbevolen, kan tot persoonlijk letsel leiden.
- ◆ Bewaar deze handleiding zorgvuldig zodat u deze altijd nog eens kunt raadplegen.

Gebruik van het apparaat

- ◆ Zorg ervoor dat het apparaat uitgeschakeld is voordat u het op het stopcontact aansluit of hiervan losmaakt.
- ◆ Ga bij gebruik van het apparaat altijd voorzichtig werk.
- ◆ Gebruik het apparaat niet in de buitenlucht.
- ◆ Trek de stekker nooit aan het netsnoer uit het stopcontact. Houd het netsnoer uit de buurt van warmtebronnen, olie en scherpe randen.
- ◆ Als het netsnoer tijdens het gebruik wordt beschadigd, moet u onmiddellijk de stekker uit het stopcontact nemen. Raak het netsnoer in dat geval niet aan voordat u dit van het stopcontact hebt losgekoppeld.
- ◆ Verwijder de stekker uit het stopcontact als u het apparaat niet gebruikt, voordat u onderdelen aanbrengt of verwijdert en voordat u het apparaat reinigt.

Veiligheid van anderen

- ◆ Laat het apparaat niet gebruiken door kinderen of door personen die onbekend zijn met deze instructies.
- ◆ Laat kinderen of dieren niet in de buurt van de werkomgeving komen, en evenmin het apparaat of netsnoer aanraken. Let extra goed op wanneer u het apparaat in de buurt van kinderen gebruikt.

Na gebruik

- ◆ Schakel het apparaat uit en verwijder de stekker uit het stopcontact voordat u het apparaat buiten uw toezicht achterlaat en voordat u wijzigingen, reinigingswerkzaamheden of inspecties aan het apparaat uitvoert.

- ◆ Bewaar het apparaat na gebruik op een droge plaats. Zorg dat het bewaarde apparaat niet toegankelijk is voor kinderen.

Inspectie en reparaties

- ◆ Controleer het apparaat vóór gebruik op beschadigingen en defecten. Controleer het vooral op gebroken onderdelen, schade aan de schakelaars en andere omstandigheden die de werking ervan kunnen beïnvloeden.
- ◆ Gebruik het apparaat niet in geval van een of meer beschadigde of defecte onderdelen.
- ◆ Laat beschadigde of defecte onderdelen door een van onze servicecentra repareren of vervangen.
- ◆ Controleer het netsnoer vóór gebruik op tekenen van beschadiging, veroudering en slijtage.
- ◆ Gebruik het apparaat niet als het netsnoer of de stekker defect of beschadigd is.
- ◆ Laat een netsnoer of stekker met een beschadiging of defect door een van onze servicecentra repareren om gevaren te voorkomen. Knip het netsnoer niet door en probeer het niet zelf te repareren.
- ◆ Probeer nooit andere onderdelen te verwijderen of vervangen dan in deze handleiding zijn vermeld.

Elektrische veiligheid



Dit gereedschap is dubbel geïsoleerd. Een aardaansluiting is daarom niet noodzakelijk. Controleer altijd of uw netspanning overeenkomt met de waarde op het typeplaatje.

Aanvullende veiligheidsinstructies voor stofzuigers

- ◆ Controleer vóór gebruik altijd of het filter correct is aangebracht.
- ◆ Draag het apparaat niet aan de compartimenthandgreep.
- ◆ Gebruik het apparaat nooit voor het opzuigen van vloeistoffen.
- ◆ Gebruik het apparaat nooit voor het opzuigen van materialen die vlam kunnen vatten.
- ◆ Gebruik het apparaat niet in de buurt van water. Dompel het apparaat niet onder in water.
- ◆ Houd de uitgeblazen lucht vanaf de motor uit de buurt van uw ogen en gezicht.
- ◆ Houd kinderen en huisdieren op een veilige afstand wanneer u het apparaat gebruikt.
- ◆ Werk altijd van onderaf wanneer u het apparaat op een trap gebruikt, en houd het apparaat ten minste één trede boven uw werkpositie.
- ◆ Gebruik het apparaat nooit zonder dat de zuigkop of een ander geschikt hulpstuk op de buis is gemonteerd.

- ◆ Houd haren, kleding en handschoenen uit de buurt van bewegende delen. Steek uw handen niet in de roterende borstel. Houd de roterende borstel uit de buurt van het netsnoer.
- ◆ Gebruik geen beschadigde hulpstukken.
- ◆ Gebruik uitsluitend Black & Decker-hulpstukken.

Onderdelen

Het apparaat kan de volgende onderdelen bevatten.

1. Slang
2. Compartimenthandgreep
3. Filterreinigingsschakelaar
4. Aan/uit-schakelaar
5. Handgreep
6. Snoerprolknop
7. Zuigkop
8. Wielen
9. Compartiment
10. Buisverlengstuk
11. Luchtstroomregelaar

Verder worden bij het apparaat een of meer van de volgende hulpstukken geleverd (fig. A):

12. Spleetzuiger
13. Borstelhulpstuk
14. Parketvloerkop (VN2010 / VN2200)
15. Turboborstel (VN2200)

De parketvloerkop wordt niet met alle modellen meegeleverd. Dit hulpstuk is verkrijgbaar via Black & Decker-leveranciers/servicecentra (cat. nr. WV100).

De turboborstel wordt niet met alle modellen meegeleverd. Dit hulpstuk is verkrijgbaar via Black & Decker-leveranciers/servicecentra (cat. nr. WV200).

Montage

Slang aansluiten (fig. A)

- ◆ Plaats de slangkoppeling (16) in de inlaat (17) van het apparaat.
- ◆ Breng hiervoor de lipjes op de slangkoppeling in lijn met de sleuven in de inlaat.
- ◆ Druk de slang aan totdat de ontgrendelingsknoppen (18) (2 posities) op hun plaats klikken.
- ◆ Druk de ontgrendelingsknoppen (18) (2 posities) in en trek de slang naar buiten als u de slang wilt verwijderen.

Buisverlengstuk aanbrengen (fig. A)

- ◆ Druk de vergrendelingsknop (19) in en schuif het slangmondstuk (20) in de buis (10) totdat het vastklikt.
- ◆ Druk de vergrendelingsknop in en trek het slangmondstuk (20) uit de buis (10) als u de buis wilt verwijderen.

Zuigkop aanbrengen (fig. A)

De zuigkop (7) is geschikt voor tapijt en harde oppervlakken (zoals laminaat en tegels).

- ◆ Druk de vergrendelingsknop (21) in en schuif de buis (10) in de kop (7) totdat deze vastklikt.
- ◆ Druk de vergrendelingsknop (21) in en trek de buis (10) uit de kop (7) als u de kop wilt verwijderen.

VN2010/VN2200 - Parketvloerkop aanbrengen (fig. A)

De parketvloerkop (14) dient voor het stofzuigen van houten en gepolitoerde oppervlakken.

- ◆ Druk de vergrendelingsknop (21) in en schuif de buis (10) in de kop (14) totdat deze vastklikt.
- ◆ Druk de vergrendelingsknop (21) in en trek de buis (10) uit de kop (14) als u de kop wilt verwijderen.

VN2200 - Turboborstel aanbrengen (fig. A)

De turboborstel (15) dient voor het stofzuigen van fluweelachtig tapijt.

De borstel is vooral handig voor het opnemen van onder meer haren en draadjes, en het oprispen van platgelopen tapijt.

- ◆ Druk de vergrendelingsknop (21) in en schuif de buis (10) in de kop (15) totdat deze vastklikt.
- ◆ Druk de vergrendelingsknop (21) in en trek de buis (10) uit de kop (15) als u de kop wilt verwijderen.

Hulpstukken aanbrengen (fig. A)

De spleetzuiger (12) dient voor het stofzuigen op smalle en moeilijk bereikbare plaatsen. Het borstelhulpstuk (13) dient voor het stofzuigen van meubels, jaloezieën, lamellen, gordijnen, ramen en trappen. U kunt de hulpstukken op zowel de slang (1) als de buis (10) aanbrengen.

- ◆ Druk de vergrendelingsknop (19 of 21) in en schuif het hulpstuk op het slangmondstuk (20) of de buis (10).
- ◆ Druk de vergrendelingsknop (19 of 21) in en trek het hulpstuk los als u dit wilt verwijderen.

Als u de hulpstukken niet gebruikt, kunt u deze met de hulpstukhouder (22) opbergen. De hulpstukhouder bevindt zich aan het slangmondstuk. Trek de houder van het slangmondstuk als u deze wilt gebruiken. U kunt de hulpstukken opbergen volgens fig. A.

Gebruik

Snoer afrollen en opwickelen

De snoerprolknop (6) kan met de hand of voet worden bediend.

- ◆ Trek vóór gebruik voldoende snoer uit de achterzijde van het apparaat.
- ◆ Druk na gebruik de snoerprolknop (6) in om het snoer weer op te bergen. Leid het snoer handmatig naar binnen om te voorkomen dat dit naar achter slaat. Zorg dat de stekker correct zit.

Buislengte afstellen (fig. B)

Het buisverlengstuk (10) bestaat uit drie gedeelten.

- ◆ Het middelste en onderste gedeelte kunt u uitschuiven door de onderste afstelknop (23) in te drukken en de buis volledig uit te schuiven totdat deze vastklikt.
- ◆ De bovenste twee gedeelten kunnen in 11 stappen worden afgesteld. Druk de bovenste afstelknop (24) in en schuif de buis tot de gewenste lengte uit. Zorg ervoor dat de buis vastklikt.

Zuigkop afstellen (fig. A)

- ◆ Plaats de vloeroppervlakselector (25) in de opwaartse stand voor het stofzuigen van tapijt.
- ◆ Plaats de vloeroppervlakselector (25) in de neerwaartse stand voor het stofzuigen van onder meer laminaat en tegels.

In- en uitschakelen

- ◆ De aan/uit-schakelaar (4) kan met de hand of voet worden bediend.
- ◆ Druk de aan/uit-schakelaar (4) in om het apparaat in te schakelen.
- ◆ Druk de aan/uit-schakelaar (4) nogmaals in om het apparaat uit te schakelen.

Luchtstroom afstellen (fig. B)

- ◆ Verdraai de luchtstroomregelaar (11) om de luchtstroom naar wens af te stellen. De max.- en min.-stand zijn weergegeven.

Stofzuigen

- ◆ Zorg ervoor dat de slang niet verstrikt, gedraaid of geblokkeerd raakt tijdens het gebruik.
- ◆ Als het apparaat oververhit raakt, wordt er een beveiliging geactiveerd en zal het apparaat automatisch stoppen.
- ◆ Verwijder in dat geval de stekker uit het stopcontact en laat het apparaat 2-3 uur afkoelen.

Tips voor optimaal gebruik

- ◆ Op smalle plaatsen kunt u de hulpstukhouder tijdelijk van de buis verwijderen om de reikwijdte te verbeteren.

- ◆ Begin bij het stofzuigen van trappen altijd onderaan en werk vervolgens omhoog. Plaats het apparaat op de grond en werk tot halverwege de trap. Zet het apparaat vervolgens ten minste één trede onder uw werkpositie op een stabiele plek neer en zuig vervolgens de bovenste helft van de trap.

VN2200 - Turboborstel gebruiken (fig. A)

- ◆ Zorg ervoor dat de snelheidsregelaar op de hoogste stand staat. Verstel zo nodig de schuif aan de bovenzijde van de borstel om de zuigkracht optimaal af te stellen.
- ◆ Beweeg de borstel langzaam naar achter en naar voren. Houd de borstel niet te lang op dezelfde plaats, aangezien hierdoor het oppervlak kan worden beschadigd.

Apparaat dragen (fig. C)

Tijdens het gebruik kunt u het apparaat aan de handgreep (5) dragen.

- ◆ Kantel de handgreep hiervoor in de aangegeven stand.

Zuigkop tijdelijk parkeren (fig. D)

- ◆ Gebruik de parkeerstand als u de zuigkop tijdelijk wilt parkeren.

Apparaat opbergen (fig. E & F)

Waarschuwing! Waarschuwing! Schakel het apparaat uit en verwijder de stekker uit het stopcontact wanneer u het apparaat opbergt.

- ◆ Zorg ervoor dat het snoer volledig opgerold is.
- ◆ Plaats het apparaat rechtop.
- ◆ Wind de slang om het apparaat.
- ◆ Plaats de zuigkop met de haak (26) in de uitsparing op het apparaat.
- ◆ Druk de buis aan tot het vergrendelingsmechanisme (27) in de uitsparing op het apparaat klikt. Het vergrendelingsmechanisme (27) wordt automatisch geactiveerd.
- ◆ Bewaar het apparaat op een droge locatie. Het apparaat kan aan de compartimenthandgreep (2) worden gedragen.
- ◆ Druk de hendel op het vergrendelingsmechanisme (27) aan de achterzijde van de buis in, trek de buis van het apparaat en til de buis en kop uit de parkeerleuven van het apparaat wanneer u de buis weer wilt gebruiken.

Onderhoud

Uw Black & Decker-gereedschap is ontworpen om gedurende langere periode te functioneren met een minimum aan onderhoud. U kunt het gereedschap naar volle tevredenheid blijven gebruiken als u voor correct onderhoud zorgt en het gereedschap regelmatig schoonmaakt.

Filter reinigen

Het apparaat is uitgerust met een filterreinigingsfunctie.

- ◆ Neem de stekker nog niet uit het stopcontact wanneer u het apparaat na gebruik uitschakelt.
- ◆ Controleer of het compartiment stevig vast zit.
- ◆ Druk de filterreinigingschakelaar (3) in. Hierdoor wordt gedurende 10 seconden een filterreinigingscyclus uitgevoerd, waarna de functie automatisch wordt uitgeschakeld. Tijdens deze 10 seconden wordt het filter automatisch gereinigd.
- ◆ Hierna kan de stekker uit het stopcontact worden verwijderd.

Dit garandeert dat het apparaat ook bij een volgend gebruik weer optimaal presteert.

Opmerking: Tijdens de filterreinigingscyclus kunt u niet stofzuigen. Als u de stofzuiger tijdens de filterreinigingscyclus inschakelt, stopt de reinigingscyclus.

Waarschuwing! Verwijder altijd de stekker uit het stopcontact voordat u onderhouds- of reinigingswerkzaamheden aan het apparaat uitvoert.

- ◆ Reinig regelmatig de ventilatieopeningen van het apparaat met een zachte borstel of droge doek.
- ◆ Reinig regelmatig de behuizing van de motor met een vochtige doek. Gebruik geen schuur- of oplosmiddel.

VN2200 - Turboborstel reinigen (fig. G)

- ◆ Verwijder alle haren en draadjes die zich op de borstel (28) hebben verzameld.

Gebruik zo nodig een schaar.

- ◆ Verwijder het deksel (29) en verwijder eventuele voorwerpen die de luchturbine (30) blokkeren. Plaats het deksel hierna terug.

Compartiment leegmaken (fig. H & I)

Maak het compartiment (9) leeg zodra het vuil de maximummarkering op het compartiment heeft bereikt.

- ◆ Verwijder het compartiment (9) van het apparaat door de beide ontgrendelingsknoppen (31) in te drukken en het compartiment uit het apparaat te tillen.
- ◆ Druk de onderklepvergrendeling (32) in om het vuil te verwijderen.
- ◆ Maak het compartiment zo nodig leeg.
- ◆ Reinig het filter op de hierna beschreven wijze.
- ◆ Sluit de onderklep en zorg ervoor dat deze vastklikt.
- ◆ Plaats het compartiment (9) terug in het apparaat en zorg ervoor dat de ontgrendelingsknoppen (31) op hun plaats klikken.

- ◆ Druk de filterreinigingschakelaar (3) in. Hierdoor wordt gedurende 10 seconden een filterreinigingscyclus uitgevoerd, waarna de functie automatisch wordt uitgeschakeld. Dit garandeert dat het apparaat ook bij een volgend gebruik weer optimaal presteert.

Reinigen

Waarschuwing! Schakel het apparaat uit en neem de stekker uit het stopcontact voordat u reinigings- en onderhoudswerkzaamheden uitvoert.

- ◆ Neem het apparaat van tijd tot tijd af met een vochtige doek. Gebruik geen schuur- of oplosmiddel. Dompel het apparaat niet onder in water.

Compartimentfilters reinigen (fig. H - K)

De compartimentfilters voorkomen dat er stof en vuil in de motorbehuizing kunnen binnendringen. De filters zijn herbruikbaar en moeten periodiek worden gereinigd.

- ◆ Verwijder het compartiment van het apparaat (fig. H).
- ◆ Druk de onderklepvergrendeling (32) in om de onderklep te openen (fig. I).
- ◆ Verwijder het voorfilter (33) van het compartiment (9) (fig. J) door dit linksom te draaien.
- ◆ Trek het filter (34) van de filterhouder (fig. K).

Waarschuwing! Reinig het filter nooit met borstels of perslucht.

- ◆ Spoel de buitenzijde van het filter afhankelijk van de toestand af met water. Laat het filter 24 uur drogen voordat u het terugplaatst.

Waarschuwing! Was nooit de binnenzijde van het filter.

- ◆ Plaats het filter terug.
- ◆ Plaats het voorfilter terug.
- ◆ Sluit de onderklep.
- ◆ Plaats het compartiment in het apparaat.

Motorfilter reinigen (fig. H - L)

Het motorfilter (35) voorkomt dat er deeltjes en grotere voorwerpen in de motorbehuizing kunnen binnendringen na verwijdering van het compartiment.

Het filter (35) is herbruikbaar en moet regelmatig worden gereinigd.

- ◆ Verwijder het compartiment van het apparaat (fig. H).
- ◆ Neem het filter (35) naar buiten (fig. L).
- ◆ Borstel al het losse stof van het filter.
- ◆ Plaats het filter (35) terug.
- ◆ Plaats het compartiment in het apparaat.

Filters vervangen

Als het compartimentfilter (34) beschadigd is of niet correct functioneert, moet dit worden vervangen. Vervangende filters zijn verkrijgbaar via uw Black & Decker-leverancier (cat. nr. VLF50).

Compartimentfilter vervangen

- ◆ Vervang het filter (34) op de hiervoor beschreven wijze.

Uitlaatfilter vervangen (fig. M & N)

Het uitlaatfilter gaat in principe de gehele apparaatlevensduur mee. Ga echter als volgt te werk als u dit toch moet vervangen:

- ◆ Verwijder de beide schroeven (36).
- ◆ Verwijder het deksel (37) door dit met een gereedschap op te tillen.
- ◆ Verwijder het oude filter (38) door dit naar buiten te trekken.
- ◆ Plaats het nieuwe filter op de aangegeven wijze.
- ◆ Zet het deksel opnieuw vast met de beide schroeven (36).

Netstekker vervangen (alleen V.K. & Ierland)

Als er een nieuwe netstekker moet worden aangebracht:

- ◆ Gooi de oude stekker op verantwoorde wijze weg.
- ◆ Verbind de bruine draad met de spannings-/fasepool in de nieuwe stekker.
- ◆ Verbind de blauwe draad met de nul-/neutraalpool.

Waarschuwing! De aardepool hoeft niet te worden aangesloten. Volg de bevestigingsinstructies die met hoogwaardige stekkers wordt meegeleverd. Aanbevolen zekering: 5 A.

Milieu



Mocht u op een dag constateren dat het gereedschap aan vervanging toe is of dat u het gereedschap niet meer nodig hebt, houdt u dan rekening met het milieu. Black & Decker-servicecentra zijn bereid oude Black & Decker-machines in te nemen en ervoor te zorgen dat deze op milieuvriendelijke wijze worden afgevoerd.



Gescheiden inzameling van gebruikte producten en verpakkingsmaterialen maakt het mogelijk materialen te recyclen en opnieuw te gebruiken. Hergebruik van gerecycleerde materialen zorgt voor minder milieuvervuiling en

dringt de vraag naar grondstoffen terug.

Plaatselijke verordeningen kunnen voorzien in gescheiden inzameling van huishoudelijke elektrische producten via gemeentelijke stortplaatsen of via de leverancier bij wie u een nieuw product aanschaft.

Black & Decker biedt de mogelijkheid tot het recyclen van afgedankte Black & Decker-producten. Om gebruik te maken van deze service, dient u het product naar een van onze servicecentra te sturen, die de inzameling voor ons verzorgen.

U kunt het adres van het dichtstbijzijnde servicecentrum opvragen via de adressen op de achterzijde van deze handleiding. U kunt ook een lijst van onze servicecentra en meer informatie over onze klantenservice vinden op het volgende internetadres: **www.2helpu.com**.

Technische gegevens

	VN1800	VN2000	VN2010	VN2200
Spanning	Vac 230	230	230	230
(Australië & Nieuw Zeeland)	Vac 240			
Opgenomen vermogen	W 1800	2000	2000	2200
Snoerlengte	m 6	7	7	8
Compartment grootte	l 2,5	2,5	2,5	2,5
Gewicht	kg 9,1	9,6	9,6	9,7

EG-conformiteitsverklaring

VN1800/VN2000/VN2010/VN2200

Black & Decker verklaart dat deze producten in overeenstemming zijn met:

89/336/EEG, 73/23/EEG, EN 55014, EN 61000, EN 60335, EN 61000-3-11

Geluidsdrukniveau, gemeten volgens EN 60704-1: = 73 dB(A)

Kevin Hewitt
Director of Consumer Engineering
Spennymoor, County Durham
DL16 6JG,
Verenigd Koninkrijk
1-8-2006

Garantie

Black & Decker heeft vertrouwen in zijn producten en biedt een uitstekende garantie. Deze garantiebepalingen vormen een aanvulling op uw wettelijke rechten en beperken deze niet. De garantie geldt in de lidstaten van de Europese Unie en de Europese Vrijhandelsassociatie.

Mocht uw Black & Decker product binnen 24 maanden na de datum van aankoop defect raken ten gevolge van materiaal- of constructiefouten, dan garanderen wij de kosteloze vervanging van defecte onderdelen, de reparatie van het product of de vervanging van het product, tenzij:

- ◆ Het product is gebruikt voor handelsdoeleinden, professionele toepassingen of verhuurdoeleinden;
- ◆ Het product onoordeelkundig is gebruikt;
- ◆ Het product is beschadigd door invloeden van buitenaf of door een ongeval;
- ◆ Reparaties zijn uitgevoerd door anderen dan onze servicecentra of Black & Decker-personeel.

Om een beroep te doen op de garantie, dient u een aankoopbewijs te overhandigen aan de verkoper of een van onze servicecentra. U kunt het adres van het dichtstbijzijnde servicecentrum opvragen via de adressen op de achterzijde van deze handleiding. U kunt ook een lijst van onze servicecentra en meer informatie m.b.t. onze klantenservice vinden op het volgende internetadres:

www.2helpU.com

Meld u aan op onze website **www.blackanddecker.nl** om te worden geïnformeerd over nieuwe producten en speciale aanbiedingen. Verdere informatie over het merk Black & Decker en onze producten vindt u op

www.blackanddecker.nl.

Uso previsto

La aspiradora de Black & Decker se ha diseñado para aspirar sustancias secas. Este producto está pensado únicamente para uso doméstico.

Instrucciones de seguridad

¡Atención! Si utiliza aparatos conectados a la red eléctrica, es necesario seguir las precauciones de seguridad básicas, incluidas las que se indican a continuación, para reducir el riesgo de incendios, descargas eléctricas, lesiones y daños materiales.

- ◆ Lea todo el manual detenidamente antes de utilizar el aparato.
- ◆ En este manual se describe el uso para el que se ha diseñado el aparato. La utilización de accesorios o la realización de operaciones distintas de las recomendadas en este manual de instrucciones puede presentar un riesgo de lesiones.
- ◆ Conserve este manual para futuras consultas.

Utilización del aparato

- ◆ Asegúrese de que el aparato está apagado antes de conectarlo o desconectarlo de la red eléctrica.
- ◆ Tenga mucho cuidado al utilizar el aparato.
- ◆ No utilice el aparato en el exterior.
- ◆ No tire del cable de alimentación para desconectar el aparato de la toma de corriente. Mantenga el cable de alimentación alejado de fuentes de calor, aceite o bordes afilados.
- ◆ Si se daña el cable de alimentación mientras el aparato está en uso, desconéctelo inmediatamente de la red eléctrica. No toque el cable de alimentación sin haberlo desconectado previamente de la red eléctrica.
- ◆ Desconecte el aparato de la red eléctrica cuando no lo vaya a utilizar, antes de colocar o extraer alguna pieza y antes de limpiarlo.

La seguridad de terceros

- ◆ Evite que los niños o cualquier persona no familiarizada con estas instrucciones utilicen el aparato.
- ◆ Evite que los niños y animales se acerquen a la zona de trabajo y toquen el aparato o el cable de alimentación. Procure tener cuidado si utiliza el aparato cerca de los niños.

Después de la utilización

- ◆ Apague y desenchufe el cable de la toma de corriente si va a dejar el aparato sin vigilancia y antes de cambiar, limpiar o revisar alguna de sus piezas.
- ◆ Cuando no lo utilice, el aparato se debe almacenar en un lugar seco. Los niños no deben tener acceso a los aparatos guardados.

Inspecciones y reparaciones

- ◆ Antes de utilizarlo, compruebe que el aparato no tiene piezas dañadas o defectuosas. Compruebe que no hay piezas rotas, los interruptores no están dañados y demás defectos que puedan afectar al funcionamiento del aparato.
- ◆ No utilice el aparato si presenta alguna pieza dañada o defectuosa.
- ◆ Solicite al servicio técnico autorizado la reparación o sustitución de las piezas dañadas o defectuosas.
- ◆ Antes de utilizar el cable de alimentación compruebe que no está dañado, gastado o deteriorado.
- ◆ No utilice el aparato si el cable de alimentación o el enchufe está dañado o es defectuoso.
- ◆ En ese caso, el servicio técnico autorizado debe repararlo para evitar cualquier situación de riesgo. No corte el cable de alimentación ni intente repararlo usted mismo.
- ◆ Nunca intente extraer o sustituir piezas no especificadas en este manual que no se haya indicado explícitamente en este manual que se pueden sustituir.

Seguridad eléctrica



La herramienta lleva un doble aislamiento; por lo tanto no requiere de una toma a tierra. Compruebe siempre que la tensión de la red corresponda con el valor indicado en la placa de datos de la herramienta.

Instrucciones de seguridad adicionales para aspiradoras

- ◆ Antes de utilizarla, compruebe que el filtro esté ajustado correctamente.
- ◆ No transporte el aparato sujetándolo por el asa del contenedor.
- ◆ No utilice el aparato para recoger líquidos.
- ◆ No utilice el aparato para recoger ningún material inflamable.
- ◆ No utilice el aparato cerca del agua. No introduzca el aparato en agua.
- ◆ Mantenga la corriente de aire que desprende el motor lejos de la cara y los ojos.
- ◆ Mantenga a los niños y animales a una distancia prudencial cuando utilice el aparato.
- ◆ Trabaje siempre de abajo a arriba al utilizar el aparato en escaleras y mantenga el aparato al menos un escalón por debajo de su posición de trabajo.
- ◆ No utilice el aparato sin el cabezal de succión o algún otro accesorio adecuado montado en el tubo.
- ◆ Mantenga su pelo, ropas y guantes alejados de las piezas móviles. No toque el cepillo giratorio. Mantenga el cepillo giratorio apartado del cable de alimentación.
- ◆ No utilice accesorios dañados.
- ◆ Utilice sólo accesorios Black & Decker.

Características

Este aparato incluye una o más de las siguientes características.

1. Manguera
2. Asa del contenedor
3. Botón de limpieza de filtro
4. Conmutador ON/OFF (encendido/apagado)
5. Asa de transporte
6. Botón de recogida del cable
7. Cabezal de succión
8. Ruedas
9. Contenedor
10. Tubo de extensión
11. Selector de control de la circulación de aire

Además, este aparato también incluye todos o algunos de los accesorios siguientes (fig. A):

12. Accesorio para hendiduras
13. Cepillo
14. Cabezal para parqué (VN2010 / VN2200)
15. Cepillo turbo (VN2200)

El cabezal para parqué no se incluye con todos los modelos. Este accesorio está disponible en su centro de servicio o distribuidor Black & Decker (número de catálogo WV100).

El cepillo turbo no se incluye con todos los modelos. Este accesorio está disponible en su centro de servicio o distribuidor de Black & Decker (número de catálogo WV200).

Montaje

Conexión de la manguera (fig. A)

- ◆ Inserte el conector de la manguera (16) en la boca de entrada (17) del aparato.
- ◆ Ajuste las pestañas del conector en las ranuras de la entrada.
- ◆ Deslice la manguera hasta que los botones de liberación (18) (2 posiciones) queden ajustados en su posición.
- ◆ Para desconectar la manguera, presione los botones de liberación (18) (2 posiciones) y tire de la manguera.

Montaje del tubo de extensión (fig. A)

- ◆ Presione el botón de bloqueo (19) y deslice el extremo de la manguera (20) en el tubo (10) hasta que encaje y se oiga un clic.
- ◆ Para quitar el tubo (10), presione el botón de bloqueo y tire de la manguera (20) para sacarla del tubo.

Montaje del cabezal de succión (fig. A)

El cabezal de succión (7) permite aspirar en moquetas y superficies duras (por ejemplo, suelos laminados y baldosas).

- ◆ Presione el botón de bloqueo (21) y deslice el tubo (10) en el cabezal (7) hasta que encaje y se oiga un clic.

- ◆ Para quitar el cabezal (7), presione el botón de bloqueo (21) y tire del tubo (10) para sacarlo del cabezal (7).

VN2010/VN2200 - Montaje del cabezal para parqué (fig. A)

El cabezal para parqué (14) permite aspirar en madera y superficies pulidas.

- ◆ Presione el botón de bloqueo (21) y deslice el tubo (10) en el cabezal (14) hasta que encaje y se oiga un clic.
- ◆ Para quitar el cabezal (14), presione el botón de bloqueo (21) y estire el tubo (10) para sacarlo del cabezal.

VN2200 - Montaje del cepillo turbo (fig. A)

El cepillo turbo (15) permite aspirar en alfombras espesas. El cepillo resulta especialmente útil para recoger pelos, hilos, etc., así como para renovar alfombras en las que se note el efecto de las pisadas.

- ◆ Presione el botón de bloqueo (21) y deslice el tubo (10) en el cabezal (15) hasta que encaje y se oiga un clic.
- ◆ Para quitar el cabezal (15), presione el botón de bloqueo (21) y tire del tubo (10) para sacarlo del cabezal.

Montaje de accesorios (fig. A)

El accesorio para hendiduras (12) permite aspirar en superficies estrechas e inaccesibles. El cepillo (13) permite aspirar en muebles, persianas, cortinas, ventanas y escaleras. Los accesorios se pueden montar tanto en la manguera (1) como en el tubo (10).

- ◆ Pulse el botón de bloqueo (19 o 21) y deslice el accesorio en la boca de la manguera (20) o el tubo (10).
- ◆ Para quitar un accesorio, pulse el botón de bloqueo (19 o 21) y tire del accesorio para sacarlo.

Cuando no los utilice, puede guardar los accesorios en el soporte para accesorios (22). El soporte para accesorios se coloca en la boca de la manguera y se ajusta. Para extraerlo, tire de la boca de la manguera. Las herramientas se guardan como indica la figura A.

Uso

Liberación y recogida de cable

El botón de recogida de cable (6) se puede manejar con la mano o con el pie.

- ◆ Antes de utilizarlo, tire del cable lo suficiente desde la parte posterior del aparato.
- ◆ Después de usarlo, presione el botón de recogida del cable (6) para guardarlo en su sitio. Guíe el cable manualmente para asegurarse de que no se retuerza. Asegúrese de que el enchufe esté colocado correctamente.

Ajuste de la longitud del tubo (fig. B)

El tubo de extensión (10) está formado por tres piezas.

- ◆ Para prolongar las dos piezas inferiores o centrales, presione el botón de ajuste inferior y deslice el tubo por completo hasta oír un clic.
- ◆ Las dos piezas superiores se pueden ajustar en once pasos. Pulse el botón de ajuste superior (24) y tire del tubo hasta la longitud deseada. Asegúrese de que encaja.

Ajuste del cabezal de succión (fig. A)

- ◆ Para aspirar en moquetas, sitúe el selector de superficie de suelo (25) en la posición superior.
- ◆ Para aspirar en materiales laminados y baldosas, sitúe el selector de superficie de suelo (25) en la posición inferior.

Encendido y apagado

- ◆ El botón de encendido y apagado (4) se puede manejar con la mano o con el pie.
- ◆ Para encender el aparato, presione el botón de encendido y apagado (4).
- ◆ Para apagar el aparato, presione el botón de encendido y apagado (4) de nuevo.

Ajuste de la circulación del aire (fig. B)

- ◆ Gire el selector de control de circulación del aire (11) para ajustarlo como desee. Se muestran las posiciones máxima y mínima.

Aspiración

- ◆ Al utilizar el aparato, asegúrese de que la manguera no esté atrapada, torcida o bloqueada
- ◆ En caso de calentamiento, el aparato se apagará automáticamente.
- ◆ Si el aparato deja de funcionar, desenchúfelo y déjelo enfriar durante 2 ó 3 horas.

Consejos para un uso óptimo

- ◆ Para trabajar en rincones difíciles, retire temporalmente el soporte para accesorios del tubo a fin de mejorar la maniobrabilidad.
- ◆ Al aspirar escaleras, empiece siempre por abajo y continúe hacia arriba. Sitúe el aparato en el suelo y aspire la mitad de las escaleras. A continuación, coloque el aparato en una posición estable situada al menos un escalón por debajo de su posición de trabajo y aspire la mitad superior de las escaleras.

VN2200 - Uso del cepillo turbo (fig. A)

- ◆ Asegúrese de que el selector de control de velocidad esté al máximo. Mueva el control deslizante de la parte superior del cepillo lo que sea necesario para optimizar la fuerza de succión.

- ◆ Mueva el cepillo hacia atrás y hacia delante. No deje el cepillo en el mismo sitio durante mucho tiempo, ya que esto podría dañar la superficie.

Transporte del aparato (fig. G)

Durante su uso, el aparato se puede transportar sujetándolo por el asa de transporte (5).

- ◆ Levante el asa hasta la posición tal como se indica.

Emplazamiento temporal del cabezal de succión (fig. D)

- ◆ Coloque el cabezal de succión en esta posición para mantenerlo apartado temporalmente.

Almacenamiento del aparato (fig. E y F)

¡Atención! ¡Atención! Para guardar el aparato, antes debe apagarlo y desenchufarlo.

- ◆ Asegúrese de que el cable esté completamente recogido.
- ◆ Coloque el aparato en posición vertical.
- ◆ Enrolle la manguera alrededor del aparato.
- ◆ Inserte el gancho del cabezal de succión (26) en la abertura del aparato.
- ◆ Empuje el tubo hasta que el dispositivo de bloqueo (27) se inserte en la abertura correspondiente como se muestra. El dispositivo de bloqueo (27) se ajusta automáticamente.
- ◆ Guarde el aparato en un lugar seco. Puede transportar el aparato por el asa del contenedor (2).
- ◆ Para coger el tubo del aparato para utilizarlo, presione la palanca del dispositivo de bloqueo (27) de la parte posterior del tubo y estire el tubo de la unidad y suba el tubo y el cabezal hasta sacarlos de las ranuras de aparcamiento.

Mantenimiento

La herramienta de Black & Decker ha sido diseñada para que funcione durante un largo período de tiempo con un mantenimiento mínimo. El funcionamiento satisfactorio continuado depende de un cuidado apropiado y una limpieza periódica de la herramienta.

Limpieza del filtro

El aparato incluye una función de limpieza de filtros.

- ◆ Después de cada uso, apague el aparato pero no lo desenchufe.
- ◆ Asegúrese de que el contenedor esté colocado correctamente en su sitio.
- ◆ Pulse el botón de limpieza de filtros (3) y el ciclo de limpieza de filtros se llevará a cabo durante 10 segundos, después de los cuales se apagará. Durante los 10 segundos, el sistema de limpieza automática limpia el filtro.
- ◆ En este momento, es posible desenchufar el aparato.

Esto garantiza que la próxima vez que se utilice el aparato, su rendimiento será óptimo.

Nota: El aparato está diseñado para evitar la posibilidad de utilizar la aspiradora durante el ciclo de limpieza del filtro. Si la enciende durante el ciclo de limpieza del filtro, éste se detendrá.

¡Atención! Para realizar el mantenimiento o limpieza del aparato, antes debe desenchufarlo.

- ◆ Limpie periódicamente las ranuras de ventilación del aparato con un cepillo suave o paño seco.
- ◆ Limpie periódicamente la carcasa del motor con un paño húmedo. No utilice limpiadores de base abrasiva o disolventes.

VN2200 - Limpieza del cepillo turbo (fig. G)

- ◆ Quite los pelos o hilos del cepillo (28).

Si es necesario, utilice unas tijeras.

- ◆ Levante la tapa (29) para quitar los objetos extraños que bloqueen la turbina de aire (30). Vuelva a poner la tapa.

Vaciado del contenedor (figuras H e I)

El contenedor (9) debe vaciarse cuando la suciedad alcance la marca máxima que indica el cubo.

- ◆ Quite el contenedor (9) del aparato presionando los dos botones de liberación (31) y levante el contenedor hasta sacarlo del aparato.
- ◆ Presione la lengüeta de la tapa inferior (32) para tirar la suciedad.
- ◆ Vacíe el contenedor del modo adecuado.
- ◆ Limpie el filtro como se describe a continuación.
- ◆ Cierre la tapa inferior y asegúrese de oír un clic.
- ◆ Vuelva a colocar el contenedor (9) en el aparato y asegúrese de que los botones de liberación (31) se ajustan debidamente y se oye un clic.
- ◆ Pulse el botón de limpieza de filtros (3) y el ciclo de limpieza de filtros se llevará a cabo durante 10 segundos, después de los cuales se apagará. Esto garantiza que la próxima vez que se utilice el aparato, su rendimiento será óptimo.

Limpieza

¡Atención! Antes de proceder con la limpieza y el mantenimiento, apague el aparato y desenchúfelo.

- ◆ Limpie el aparato de vez en cuando con un paño húmedo. No utilice limpiadores de base abrasiva o disolventes. No introduzca el aparato en agua.

Limpieza de los filtros del contenedor (figuras H a K)

Los filtros del contenedor evitan que el polvo y la suciedad lleguen a la carcasa del motor. Los filtros son reutilizables y se deben limpiar periódicamente.

- ◆ Quite el contenedor del aparato (figura H).
- ◆ Presione la lengüeta de la tapa inferior (32) para abrirla (figura I).

- ◆ Quite el filtro previo (33) del contenedor (9) (fig. J) girándolo en sentido contrario a las agujas del reloj.
- ◆ Tire del filtro (34) para sacarlo del soporte para filtros (fig. K).

¡Atención! No cepille el filtro ni utilice aire comprimido para limpiarlo.

- ◆ En función de su condición, lave el filtro por fuera con agua. Deje el filtro a secar durante 24 horas antes de insertarlo de nuevo.

¡Atención! No lave el filtro por dentro.

- ◆ Vuelva a montar el filtro.
- ◆ Coloque el filtro previo.
- ◆ Ponga la tapa inferior.
- ◆ Inserte de nuevo el contenedor en el aparato.

Limpieza del filtro del motor (figuras H y L)

El filtro del motor (35) evita que partículas y otros objetos de mayor tamaño entren en la carcasa del motor al quitar el contenedor.

El filtro (35) es reutilizable y se debe limpiar con regularidad.

- ◆ Quite el contenedor del aparato (fig. H).
- ◆ Quite el filtro (35) (fig. L).
- ◆ Cepille el polvo que todavía queda en el filtro.
- ◆ Vuelva a montar el filtro (35).
- ◆ Inserte de nuevo el contenedor en el aparato.

Sustitución de los filtros

Si el filtro del contenedor (34) está dañado o no funciona correctamente, debe sustituirse. Los filtros de repuesto estarán disponibles en el distribuidor de Black & Decker más cercano (número de catálogo VLF50).

Sustitución del filtro del contenedor

- ◆ Siga los pasos que se describen a continuación para sustituir el filtro (34).

Sustitución del filtro de salida (fig. M y N)

El aparato incluye un filtro de duración ilimitada pero si es necesario cambiarlo, hágalo como se describe a continuación:

- ◆ Quite los dos tornillos (36)
- ◆ Quite la tapa (37) con una herramienta para levantarla.
- ◆ Quite el filtro antiguo (38) tirando de él hasta sacarlo.
- ◆ Inserte el filtro nuevo como se indica.
- ◆ Vuelva a ajustar la tapa con los dos tornillos (36).

Sustitución del enchufe para la red eléctrica (sólo para Reino Unido e Irlanda)

Si es necesario colocar un nuevo enchufe para la red eléctrica:

- ◆ Deseche el enchufe anterior según las normas de seguridad.

- ◆ Conecte el cable marrón al terminal conductor del nuevo enchufe.
 - ◆ Conecte el cable azul al terminal neutro.
- ¡Atención!** No se debe realizar ninguna conexión al terminal de conexión a tierra. Siga las instrucciones de montaje que se suministran con los enchufes de buena calidad. Fusible recomendado: 5 A.

Protección del medio ambiente



Si llegase el momento en que fuese necesario sustituir la herramienta o si ésta dejase de tener utilidad, debe tener en cuenta la protección del medioambiente. El servicio técnico autorizado de Black & Decker aceptará herramientas Black & Decker ya usadas y se asegurará de

desprenderse de ellas de modo que no se perjudique el medioambiente.



La recogida selectiva de productos y embalajes usados permite el reciclaje de materiales y su reutilización. La reutilización de materiales reciclados contribuye a evitar la contaminación medioambiental y reduce la demanda de

materias primas.

Las normativas municipales deben ofrecer la recogida selectiva de productos eléctricos del hogar, en puntos municipales previstos para ello o a través del distribuidor en el caso en que se adquiera un nuevo producto.

Black & Decker proporciona facilidades para la recogida y reciclado de los productos Black & Decker que hayan llegado al final de su vida útil. Para poder utilizar este servicio, le rogamos entregue el producto a cualquier servicio técnico autorizado que se hará cargo del mismo en nuestro nombre.

Para consultar la dirección del servicio técnico más cercano póngase en contacto con la oficina local de Black & Decker en la dirección que se indica en este manual. Como alternativa, se puede consultar en Internet, en la dirección siguiente, la lista de servicios técnicos autorizados e información completa sobre nuestros servicios de postventa y contactos: www.2helpU.com.

Características técnicas

		VN1800	VN2000	VN2010	VN2200
Voltaje	Vac	230	230	230	230
	(Australia y Nueva Zelanda) Vac	240			
Potencia absorbida	W	1800	2000	2000	2200
Longitud de cable	m	6	7	7	8
Tamaño del contenedor	l	2.5	2.5	2.5	2.5
Peso	kg	9.1	9.6	9.6	9.7

Declaración de conformidad CE

VN1800/VN2000/VN2010/VN2200

Black & Decker declara que estos productos cumplen las normas siguientes:
89/336/EEC, 73/23/EEC, EN 55014, EN 61000, EN 60335, EN 61000-3-11

Nivel de presión acústica, medido de acuerdo con la directiva EN 60704-1: = 73 dB (A)

Kevin Hewitt
Director de Ingeniería del Consumidor
Spennymoor, County Durham
DL16 6JG,
Reino Unido
01-08-2006

Garantía

Black & Decker confía plenamente en la calidad de sus productos y ofrece una garantía extraordinaria. Esta declaración de garantía es un añadido, y en ningún caso un perjuicio para sus derechos estatutarios. La garantía es válida dentro de los territorios de los Estados miembros de la Unión Europea y de los de la Zona Europea de Libre Comercio.

Si cualquier producto de Black & Decker resultara defectuoso debido a materiales o mano de obra defectuosos o a la falta de conformidad, Black & Decker garantiza, dentro de los 24 meses posteriores a la fecha de compra, la sustitución de las piezas defectuosas, la reparación de los productos sujetos a un desgaste y rotura razonables o la sustitución de tales productos para garantizar al cliente el mínimo de inconvenientes, a menos que:

- ◆ El producto se haya utilizado con propósitos comerciales, profesionales o de alquiler.
- ◆ El producto se haya sometido a un uso inadecuado o negligente.
- ◆ El producto haya sufrido daños causados por objetos o sustancias extrañas o accidentes.
- ◆ Se hayan realizado reparaciones por parte de personas que no sean del servicio técnico autorizado o personal de servicios de Black & Decker.

Para reclamar en garantía, será necesario que presente la prueba de compra al vendedor o al servicio técnico de reparaciones autorizado. Pueden consultar la dirección de su servicio técnico más cercano poniéndose en contacto con la oficina local de Black & Decker en la dirección que se indica en este manual. Como alternativa, se puede consultar en Internet, en la dirección siguiente, la lista de servicios técnicos autorizados e información completa de nuestros servicios de postventa y contactos:

www.2helpU.com

Visite el sitio web **www.blackanddecker.eu** para registrar su nuevo producto Black & Decker y estar al día sobre productos y ofertas especiales. Encontrará información adicional sobre la marca Black & Decker y nuestra gama de productos en **www.blackanddecker.eu**.

Utilização

O aspirador Black & Decker foi concebido para aspirar substâncias secas. Este produto destina-se apenas à utilização doméstica.

Instruções de segurança

Advertência! Ao utilizar aparelhos eléctricos, deve sempre cumprir medidas de segurança básicas, incluindo as seguintes, de modo a reduzir os riscos de incêndio, choque eléctrico e danos pessoais.

- ◆ Leia cuidadosamente o manual completo antes de utilizar este aparelho.
- ◆ A utilização prevista para este aparelho está descrita no manual. A utilização de qualquer acessório ou a realização de qualquer operação com este aparelho que não se inclua no presente manual de instruções poderá representar um risco de ferimentos pessoais.
- ◆ Conserve este manual para referência futura.

Utilizar o seu aparelho

- ◆ Certifique-se de que o aparelho está desligado antes de o ligar ou desligar da corrente eléctrica.
- ◆ Tenha sempre cuidado quando utiliza este aparelho.
- ◆ Não utilize o aparelho no exterior.
- ◆ Nunca puxe pelo cabo de alimentação para desligar a ficha da tomada. Mantenha o cabo de alimentação afastado de calor, óleo e pontas afiadas.
- ◆ Se o cabo de alimentação se danificar durante a utilização, desligue de imediato o aparelho da fonte de alimentação. Não toque no cabo de alimentação antes de desligar a fonte de alimentação.
- ◆ Desligue o aparelho da fonte de alimentação quando este não estiver a ser utilizado, antes de inserir ou remover peças e antes da limpeza.

Segurança de terceiros

- ◆ Não deixe crianças ou terceiros que não estejam familiarizados com estas instruções utilizar este aparelho.
- ◆ Não deixe crianças ou animais aproximarem-se da área de trabalho ou tocarem no aparelho ou no cabo de alimentação. É necessária uma supervisão atenta quando o aparelho está a ser utilizado próximo de crianças.

Após a utilização

- ◆ Desligue e remova a ficha da tomada antes de deixar o aparelho sem supervisão e antes de mudar, limpar ou inspecionar quaisquer peças do aparelho.
- ◆ Quando não estiver em utilização, o aparelho deve ser guardado num local seco. As crianças não devem ter acesso a aparelhos armazenados.

Inspecção e reparações

- ◆ Antes da utilização, verifique o aparelho quanto a peças danificadas ou avariadas. Verifique se há peças partidas, danos nos interruptores ou outro tipo de condições que possam afectar o seu funcionamento.
- ◆ Não utilize o aparelho se alguma das peças se encontrar danificada ou avariada.
- ◆ Mandar reparar ou substituir quaisquer peças danificadas ou avariadas por um agente de reparação autorizado.
- ◆ Antes de utilizar, verifique se o cabo de alimentação apresenta sinais de usura, danos ou desgaste.
- ◆ Não utilize o aparelho se o cabo de alimentação ou a tomada de alimentação se encontrar danificada ou avariada.
- ◆ Se o cabo de alimentação ou a tomada de alimentação se encontrarem danificados ou com defeito, deverão ser reparados por agente de reparação autorizado, para evitar acidentes. Não corte o cabo de alimentação, nem tente repará-lo.
- ◆ Nunca tente retirar ou substituir quaisquer peças que não as especificadas neste manual.

Segurança eléctrica



Esta ferramenta tem um isolamento duplo e, por isso, não é necessário um fio de terra. Verifique sempre se a fonte de alimentação corresponde à tensão indicada na placa de especificações.

Instruções de segurança adicionais para aspiradores

- ◆ Antes da utilização, certifique-se sempre de que o filtro está encaixado correctamente.
- ◆ Não transporte o aparelho pelo manípulo do depósito.
- ◆ Não utilize este aparelho para aspirar líquidos.
- ◆ Não utilize este aparelho para aspirar quaisquer materiais combustíveis.
- ◆ Não utilize este aparelho perto da água. Não imerja este aparelho na água.
- ◆ Mantenha o motor afastado dos olhos e rosto.
- ◆ Mantenha as crianças e animais a uma distância segura, quando utiliza este aparelho.
- ◆ Trabalhe sempre de baixo para cima quando utilizar o aparelho em escadas e mantenha o aparelho a, pelo menos, um degrau abaixo da sua posição.
- ◆ Não utilize o aparelho sem a altura de aspiração ou outro acessório adequado ligado ao suporte.
- ◆ Mantenha o cabelo, a roupa e as luvas afastados de partes móveis. Não agarre a escova rotativa. Mantenha a escova rotativa afastada do cabo de alimentação.
- ◆ Não utilize acessórios danificados.
- ◆ Utilize apenas acessórios Black & Decker.

Funções

Este aparelho inclui algumas ou todas as seguintes funções:

1. Tubo
2. Manipulo do depósito
3. Interruptor de limpeza de filtro
4. Interruptor para ligar/desligar
5. Manipulo
6. Botão de rebobinamento do cabo
7. Altura de aspiração
8. Rodas
9. Depósito
10. Suporte de extensão
11. Interruptor de controlo do fluxo de ar

Além disso, este aparelho é fornecido com alguns ou todos os seguintes acessórios (fig. A):

12. Acessório de ponta chata
13. Escova
14. Cabeça para chão em parquet (VN2010 / VN2200)
15. Escova turbo (VN2200)

A cabeça para chão em parquet não está incluída em todos os modelos. Este acessório está disponível a partir do revendedor/centro de assistência Black & Decker (cat. n.º WV100).

A escova turbo não está incluída em todos os modelos. Este acessório está disponível a partir do revendedor/centro de assistência Black & Decker (Cat. N.º WV200).

Montagem

Ligar o tubo (fig. A)

- ◆ Insira o conector do tubo (16) na entrada (17) do aparelho.
- ◆ Alinhe as abas do conector do tubo com as ranhuras na entrada.
- ◆ Deslize o tubo para a frente até ouvir os botões de desbloqueio (18) (2 posições) encaixarem.
- ◆ Para separar o tubo, prima os botões de desbloqueio (18) (2 posições) e puxe o tubo para fora.

Montar o suporte de extensão (fig. A)

- ◆ Prima o botão de bloqueio (19) e deslize o bocal do tubo (20) para o suporte (10) até o ouvir encaixar.
- ◆ Para remover o suporte (10), prima o botão de bloqueio e puxe o bocal do tubo (20) para fora do suporte.

Montar a altura de aspiração (fig. A)

A altura de aspiração (7) permite a aspiração em carpetes e superfícies duras (por ex., laminados e ladrilhos).

- ◆ Prima o botão de bloqueio (21) e deslize o suporte (10) para a cabeça (7) até ouvir um clique de encaixe.
- ◆ Para remover a cabeça (7), prima o botão de bloqueio (21) e puxe o suporte (10) para fora da cabeça (7).

VN2010/VN2200 – Montar a cabeça para chão em parquet (fig. A)

A cabeça para chão em parquet (14) permite a aspiração de superfícies de madeira e polidas.

- ◆ Prima o botão de bloqueio (21) e deslize o suporte (10) para a cabeça (14) até ouvir um clique de encaixe.
- ◆ Para remover a cabeça (14), prima o botão de bloqueio (21) e puxe o suporte (10) para fora da cabeça.

VN2200 – Montar a escova turbo (fig. A)

A escova turbo (15) permite a aspiração de tapetes de veludo de pêlo cortado.

A escova é particularmente útil para aspirar cabelos, linhas, etc., bem como para alcatifas de pêlo curto.

- ◆ Prima o botão de bloqueio (21) e deslize o suporte (10) para a cabeça (15) até ouvir um clique de encaixe.
- ◆ Para remover a cabeça (15), prima o botão de bloqueio (21) e puxe o suporte (10) para fora da cabeça.

Montar os acessórios (fig. A)

O acessório de ponta chata (12) permite a aspiração de locais estreitos e de alcance difícil. A escova (13) permite a aspiração de móveis, persianas, cortinas, janelas e escadas. Os acessórios podem ser montados no tubo (1) e no suporte (10).

- ◆ Prima o botão de bloqueio (19 ou 21) e deslize o acessório para o bocal do tubo (20) ou para o suporte (10).
- ◆ Para remover um acessório, prima o botão de bloqueio (19 ou 21) e puxe o acessório para fora.

Quando não estiverem a ser utilizados, os acessórios podem ser armazenados no suporte de acessórios (22). O suporte de acessórios está armazenado no bocal do tubo. Está encaixado, para remover puxe para fora do bocal do tubo. As ferramentas são armazenadas como indicado na fig. A.

UTILIZAÇÃO

Desbobinar e rebobinar o cabo

O botão de rebobinamento do cabo (6) pode ser premido com a mão ou com o pé.

- ◆ Antes da utilização, puxe um comprimento suficientemente grande de cabo a partir da parte posterior do aparelho.
- ◆ Depois de utilizar, prime o botão de rebobinamento do cabo (6) para armazenar novamente o cabo. Oriente manualmente o cabo para garantir que o mesmo não fica suspenso. Certifique-se de que a ficha está localizada correctamente.

Ajustar o comprimento do suporte (fig. B)

O suporte de extensão (10) é constituído por três peças.

- ◆ Para alargar as duas peças do meio/inferior, prima o botão de ajustamento inferior (23) e deslize completamente o suporte para fora até ouvir um clique de encaixe.
- ◆ As duas peças superiores podem ser ajustadas em 11 passos. Prima o interruptor do botão de ajustamento superior (24) e deslize o suporte para o comprimento pretendido. Certifique-se de que ouve um clique de encaixe do suporte.

Ajustar a altura de aspiração (fig. A)

- ◆ Para aspirar carpetes, mude o selector de superfície do solo (25) para a posição posterior.
- ◆ Para aspirar laminados, ladrilhos, etc., mude o selector de superfície do solo (25) para a posição inferior.

Ligar e desligar

- ◆ O interruptor ligar/desligar (4) pode ser premido com a mão ou com o pé.
- ◆ Para ligar o aparelho, prima o interruptor ligar/desligar (4).
- ◆ Para desligar o aparelho, prima novamente o interruptor ligar/desligar (4).

Ajustar o fluxo de ar (fig. B)

- ◆ Rode o interruptor de controlo do fluxo de ar (11) para ajustar o fluxo de ar conforme pretendido. São apresentadas as posições máxima e mínima.

Aspirar

- ◆ Quando utilizar o aparelho, certifique-se de que não está preso, torcido ou bloqueado
- ◆ Em caso de sobreaquecimento, funcionará um corta-circuito e o aparelho pára automaticamente.
- ◆ Se o aparelho parar de funcionar, desligue-o e deixe-o arrefecer durante 2-3 horas.

Sugestões para uma utilização ideal

- ◆ Quando trabalhar em espaços pequenos, remova temporariamente o suporte de acessórios do suporte, de forma a melhorar a margem de manobra.
- ◆ Quando aspirar escadas, trabalhe sempre de baixo para cima. Coloque o aparelho no chão e aspire as escadas até meio. Em seguida, transporte o aparelho para uma posição estável, para, pelo menos, um degrau abaixo de onde se encontra e aspire a outra metade das escadas.

VN2200 – Utilizar a escova turbo (fig. A)

- ◆ Tome nota que o interruptor de controlo de velocidade está na definição mais elevada. Mova a patilha na parte superior da escova conforme necessário para otimizar a potência de sucção.

- ◆ Mova a escova firmemente para trás e para a frente. Não mantenha a escova no mesmo local durante muito tempo, uma vez que poderá danificar a superfície.

Transportar o aparelho (fig. C)

Durante a utilização, o aparelho pode ser transportado utilizando o manípulo (5).

- ◆ Incline o manípulo para a posição correcta, conforme ilustrado.

Estacionar temporariamente a altura de aspiração (fig. D)

- ◆ Utilize a posição de estacionamento para estacionar temporariamente a altura de aspiração.

Guardar o aparelho (fig. E e F)

Advertência! Advertência! Ao guardar o aparelho, desligue-o.

- ◆ Certifique-se de que o cabo está completamente rebobinado.
- ◆ Coloque o aparelho numa posição perpendicular.
- ◆ Enrole o tubo à volta do aparelho.
- ◆ Insira o gancho da altura de aspiração (26) no encaixe do aparelho.
- ◆ Empurre o suporte até inserir o dispositivo de bloqueio (27) no encaixe correspondente no aparelho, conforme é ilustrado. O dispositivo de bloqueio (27) encaixa automaticamente.
- ◆ Guarde o aparelho num local seco. O aparelho pode ser transportado pelo manípulo do depósito (2).
- ◆ Para tirar o suporte do aparelho para utilização, alavanca do dispositivo de bloqueio (27) na parte posterior do suporte, afaste o suporte da unidade e levante-o para fora das ranhuras de estacionamento.

MANUTENÇÃO

A sua ferramenta Black & Decker foi concebida para funcionar por um longo período de tempo com uma manutenção mínima. Um funcionamento contínuo e satisfatório depende de uma manutenção adequada e da limpeza regular da ferramenta.

Limpar o filtro

O aparelho está calibrado com uma funcionalidade de limpeza do filtro.

- ◆ Após cada utilização desligue o aparelho mas não desligue da tomada.
- ◆ Certifique-se de que o depósito está encaixado de forma segura.
- ◆ Prima o interruptor de limpeza do filtro (3) e o ciclo de limpeza do filtro será executado durante 10 segundos, após os quais será desligado automaticamente. Durante os 10 segundos, o sistema de limpeza automática limpa o filtro.

- ◆ É possível remover agora a ficha da tomada.

Isto garantirá uma próxima utilização do aparelho otimizada.

Nota: O aparelho foi concebido para impedir a aspiração durante o ciclo de limpeza do filtro. Se o aspirador for ligado durante o ciclo de limpeza do filtro, o último pára.

Advertência! Antes de executar qualquer manutenção ou limpeza no aparelho, desligue-o.

- ◆ Limpe regularmente as aberturas de ventilação do aparelho com uma escova suave ou um pano seco.
- ◆ Limpe regularmente o compartimento do motor com um pano húmido. Não utilize nenhum produto de limpeza abrasivo ou a base de solvente.

VN2200 – Limpar a escova turbo (fig. G)

- ◆ Remova os cabelos ou linhas que se encontrem na escova (28).

Utilize um par de tesouras se for necessário.

- ◆ Remova a tampa (29) para remover quaisquer objectos que estejam a bloquear a turbina de ar (30). Coloque novamente a tampa.

Esvaziar o depósito (fig. H e I)

O depósito (9) deve ser esvaziado quando os detritos atingirem o limite máximo indicado no caixote do lixo.

- ◆ Remova o depósito (9) do aparelho premindo os dois botões de desbloqueio (31) e levantando o depósito para fora do aparelho.
- ◆ Prima o fecho da porta inferior (32) para libertar os detritos.
- ◆ Esvazie o depósito, conforme necessário.
- ◆ Limpe o filtro conforme descrito abaixo.
- ◆ Feche a porta inferior e certifique-se de que ouve um clique de encaixe.
- ◆ Coloque novamente o depósito (9) no aparelho e certifique-se de que ouve um clique de encaixe dos botões de desbloqueio (31).
- ◆ Prima o interruptor de limpeza do filtro (3) e o ciclo de limpeza do filtro será executado durante 10 segundos, após os quais será desligado automaticamente. Isto garantirá uma próxima utilização do aparelho otimizada.

Limpeza

Advertência! Antes de proceder á limpeza e manutenção, desligue o aparelho e desligue-o da tomada.

- ◆ De vez em quando, limpe o aparelho com um pano húmido. Não utilize nenhum produto de limpeza abrasivo ou a base de solvente. Não mergulhe o aparelho em água.

Limpar os filtros do depósito (fig. H - K)

Os filtros do depósito impedem que o pó e os detritos entrem no compartimento do motor. Os filtros são reutilizáveis e devem ser limpos periodicamente.

- ◆ Remova o depósito do aparelho (fig. H).
- ◆ Prima o fecho da porta inferior (32) para libertar a porta inferior (fig. I).
- ◆ Remova o pré-filtro (33) do depósito (9) (fig. J) rodando no sentido contrário ao dos ponteiros do relógio.
- ◆ Puxe o filtro (34) para fora da porta-filtro (fig. K).

Advertência! Não escove nem utilize ar comprimido para limpar o filtro.

- ◆ Dependendo da respectiva condição, lave a parte exterior do filtro com água. Deixe o filtro secar durante 24 horas antes de o inserir novamente.

Advertência! Não lave o interior do filtro.

- ◆ Substitua o filtro.
- ◆ Coloque novamente o pré-filtro.
- ◆ Feche a porta inferior.
- ◆ Insira novamente o depósito no aparelho.

Limpar o filtro do motor (fig. H e K)

O filtro do motor (35) impede que as partículas e objectos maiores entrem no compartimento do motor quando o depósito é removido.

O filtro (35) é reutilizável e deve ser limpo regularmente.

- ◆ Remova o depósito do aparelho (fig. H).
- ◆ Retire o filtro (35) (fig. L).
- ◆ Escove quaisquer poeiras soltas do filtro.
- ◆ Substitua o filtro (35).
- ◆ Insira novamente o depósito no aparelho.

Recolocação dos filtros.

Se o filtro do depósito (34) estiver danificado ou não funcionar correctamente, deverá ser substituído. Os filtros para substituição estão disponíveis junto do seu revendedor Black & Decker (cat. n.º. VLF50).

Substituir o filtro do depósito

- ◆ Proceda conforme descrito abaixo para substituir o filtro (34).

Substituir o filtro da saída (fig. M e N)

O aparelho está adaptado com um filtro duradouro, mas se for necessário substituí-lo, proceda da seguinte forma:

- ◆ Remova os dois parafusos (36)
- ◆ Remova a tampa (37) utilizando uma ferramenta para a levantar.
- ◆ Remova o filtro antigo (38) puxando-o para fora.
- ◆ Insira o novo filtro, como ilustrado.
- ◆ Coloque novamente a tampa com os dois parafusos (36).

Substituição da tomada de alimentação (apenas Reino Unido e Irlanda)

Se for necessário encaixar uma nova tomada de alimentação:

- ◆ Elimine com segurança a tomada antiga.
- ◆ Ligue o cabo castanho ao terminal activo na nova tomada.
- ◆ Ligue o cabo azul ao terminal neutro.

Advertência! Não é necessária efectuar qualquer ligação ao terminal de terra. Siga as instruções de encaixe fornecidas com as tomadas de excelente qualidade. Fusível recomendado: 5 A.

Protecção do ambiente



Se algum dia verificar que é preciso substituir a ferramenta ou que esta deixou de ter utilidade, pense na protecção do ambiente. Os agentes de reparação da Black & Decker aceitam ferramentas Black & Decker antigas e garantem que são eliminadas de uma forma segura em termos ambientais.



A recolha separada de produtos e embalagens usados permite que os materiais sejam reciclados e novamente utilizados. A reutilização de materiais reciclados ajuda a evitar a poluição ambiental e reduz a procura de matérias-primas.

A legislação local poderá prever a recolha separada de produtos domésticos eléctricos, seja em lixeiras municipais ou através do revendedor quando adquire um produto novo.

A Black & Decker dispõe de instalações para recolha e reciclagem de produtos Black & Decker quando estes atingem o fim da sua vida útil. Para usufruir deste serviço, devolva o produto em qualquer agente de reparação autorizado, que os recolherá em seu nome.

Pode verificar a localização do agente de reparação autorizado mais perto de si, contactando os escritórios locais da Black & Decker através do endereço indicado neste manual. Se preferir, pode encontrar na Internet uma lista de agentes de reparação autorizados Black & Decker, detalhes completos e contactos do serviço pós-venda, no endereço:

www.2helpU.com.

Dados técnicos

		VN1800	VN2000	VN2010	VN2200
Tensão	Vac	230	230	230	230
(Austrália e Nova Zelândia)	Vac	240			
Potência utilizada	W	1800	2000	2000	2200
Comprimento do cabo	m	6	7	7	8
Tamanho do depósito	l	2.5	2.5	2.5	2.5
Peso	kg	9.1	9.6	9.6	9.7

Declaração de conformidade CE

VN1800/VN2000/VN2010/VN2200

A Black & Decker declara que estes produtos estão em conformidade com:

89/336/EEC, 73/23/EEC, EN 55014, EN 61000, EN 60335, EN 61000-3-11

Nível de pressão acústica, medido de acordo com EN 60704-1: = 73 dB(A)

Kevin Hewitt
 Director de Engenharia de Consumo
 Spennymoor, County Durham
 DL16 6JG,
 Reino Unido
 01-08-2006

Garantia

A Black & Decker confia na qualidade dos seus produtos e oferece uma garantia excelente. Esta declaração de garantia é um complemento dos seus direitos estabelecidos por lei, não os prejudicando de forma alguma. A garantia é válida nos territórios do Estados Membros da União Europeia e da Associação Europeia de Comércio Livre.

Se um produto Black & Decker se avariar devido a defeitos de material, fabrico ou não conformidade, num período de 24 meses após a data da compra, a Black & Decker garante a substituição de peças defeituosas, a reparação de produtos sujeitos a um desgaste aceitável ou a substituição dos mesmos para garantir o mínimo de inconveniente ao cliente, excepto se:

- ◆ O produto tiver sido utilizado para fins comerciais, profissionais ou de aluguer.
- ◆ O produto tiver sido submetido a utilização indevida ou descuido.
- ◆ O produto tiver sido danificado por objectos estranhos, substâncias ou acidentes.
- ◆ Tiverem sido tentadas reparações por pessoas que não sejam agentes de reparação autorizados ou técnicos de manutenção da Black & Decker.

Para accionar a garantia, terá de apresentar comprovativos de compra ao vendedor ou a um agente de reparação autorizado. Pode verificar a localização do agente de reparação autorizado mais perto de si, contactando os escritórios locais da Black & Decker através do endereço indicado neste manual. Se preferir, pode encontrar na Internet uma lista de agentes de reparação autorizados Black & Decker, detalhes completos e contactos do serviço pós-venda, no endereço:

www.2helpU.com

PORTUGUÊS

Visite o nosso website **www.blackanddecker.eu** para registrar o novo produto Black & Decker e manter-se actualizado relativamente a novos produtos e ofertas especiais. Pode encontrar mais informações sobre a marca Black & Decker e nossa gama de produtos em **www.blackanddecker.eu**.

Användningsområde

Din dammsugare från Black & Decker har utformats för att suga upp torrt material. Produkten är endast avsedd för hemmabruk.

Säkerhetsinstruktioner

Varning! Vid användning av nätdrivna apparater ska grundläggande säkerhetsföreskrifter, inklusive följande föreskrifter, alltid följas. Detta för att förhindra brand, stötar, personskador och materialskador.

- ◆ Läs den här bruksanvisningen noggrant innan du använder apparaten.
- ◆ Användningsområdet beskrivs i den här bruksanvisningen. Användning av andra tillbehör eller tillsatser eller om någon annan åtgärd utförs med apparaten än de som rekommenderas i den här bruksanvisningen kan leda till personliga skador.
- ◆ Behåll bruksanvisningen för framtida referens.

Använda apparaten

- ◆ Se till att apparaten har stängts av innan du ansluter eller kopplar bort elkabeln.
- ◆ Var alltid försiktig när du använder apparaten.
- ◆ Använd inte apparaten utomhus.
- ◆ Dra aldrig i elkabeln när du vill ta ut kontakten ur vägguttaget. Håll elsladden borta från värme, olja och vassa kanter.
- ◆ Om elsladden skadas när du använder apparaten drar du omedelbart ut sladden ur vägguttaget. Rör inte vid elsladden innan du har dragit ut den ur kontakten.
- ◆ Dra ut elsladden ur vägguttaget när apparaten inte används, när du monterar eller tar bort delar och innan du rengör den.

Säkerhet för andra

- ◆ Låt inte barn eller personer som inte har läst dessa instruktioner använda apparaten.
- ◆ Låt inte barn eller djur komma i närheten av arbetsområdet. Låt dem inte heller röra vid apparaten eller elsladden. Övervaka barnen noga när du använder apparaten i närheten av dem.

Efter användning

- ◆ Stäng av apparaten och dra ut elsladden om du låter apparaten vara oövervakad, och när du byter, rengör eller inspekterar den.
- ◆ När den inte används bör apparaten förvaras torrt. Placera apparaten på ett ställe där barn inte kan komma åt den.

Kontroll och reparationer

- ◆ Kontrollera att apparaten är hel och att den inte innehåller några skadade delar innan du använder den. Kontrollera att inga delar är trasiga, att strömbrytaren fungerar och att inget annat föreligger som kan påverka apparatens funktioner.
- ◆ Använd inte apparaten om någon del har skadats eller gått sönder.
- ◆ Reparera eller byt ut skadade eller trasiga delar på en auktoriserad verkstad.
- ◆ Innan du använder apparaten kontrollerar du om elsladden visar tecken på skador, åldrande eller slitage.
- ◆ Använd inte apparaten om elsladden eller nätkontakten är skadad eller defekt.
- ◆ Om elsladden eller nätkontakten är skadad eller defekt måste den repareras av en behörig reparatör, annars kan det uppstå risker. Klipp inte av elsladden och försök inte reparera den själv.
- ◆ Försök aldrig ta bort eller byta ut andra delar än dem som anges i den här bruksanvisningen.

Elektrisk säkerhet



Eftersom verktyget är dubbelisolerat behövs ingen jordledare. Kontrollera alltid att nätspänningen överensstämmer med värdet på typskylten.

Ytterligare säkerhetsanvisningar för dammsugare

- ◆ Innan du använder apparaten måste du kontrollera att filtret har satts fast ordentligt.
- ◆ Bär inte apparaten i behållarens handtag.
- ◆ Använd inte apparaten för att suga upp vätskor.
- ◆ Använd inte apparaten för att suga upp material som kan fatta eld.
- ◆ Använd inte apparaten i närheten av vatten. Doppa aldrig apparaten i vatten.
- ◆ Undvik att rikta motorns frånluft mot ögonen och ansiktet.
- ◆ Håll barn och djur på säkert avstånd när du använder apparaten.
- ◆ Dammsug alltid nedifrån och upp i trappor. Se till att dammsugaren står minst ett steg nedanför dig.
- ◆ Använd inte apparaten utan ha ett munstycke eller något annat tillbehör monterat på slangen.
- ◆ Håll hår, kläder och handskar undan från rörliga delar. Rör inte vid den roterande borsten. Håll den roterande borsten borta från elsladden.
- ◆ Använd inte skadade tillbehör.
- ◆ Använd enbart tillbehör från Black & Decker.

Funktioner

Denna apparat har några eller samtliga av följande funktioner.

1. Slang
2. Handtag till behållare
3. Kontakt för filterrengöring
4. Strömbrytare
5. Handtag
6. Knapp för indragning av elsladden
7. Dammsugarmunstycke
8. Hjul
9. Behållare
10. Förlängningsrör
11. Kontrollknapp för luftflöde

Dessutom har denna apparat några av eller alla nedanstående tillbehör (fig. A):

12. Elementmunstycke
13. Borstmunstycke
14. Parkettmunstycke (VN2010 / VN2200)
15. Turboborste (VN2200)

Parkettmunstycket ingår inte i alla modeller. Detta tillbehör kan köpas hos Black & Deckers återförsäljare/servicecenter (kat.nr. WV100).

Turboborsten ingår inte i alla modeller. Detta tillbehör kan köpas hos Black & Deckers återförsäljare/servicecenter (kat.nr. WV200).

Montering

Ansluta slang (fig. A)

- ◆ Sätt in slanganslutaren (16) i apparatens uttag (17).
- ◆ Passa in slanganslutarens kilar med spåren i uttaget.
- ◆ Tryck slangens längre in, tills låsknapparna (18) (2 positioner) klickar på plats.
- ◆ När du vill koppla bort slangens trycker du på låsknapparna (18) (2 positioner) och drar ut den.

Montera förlängningsröret (fig. A)

- ◆ Tryck på låsknappen (19) och skjut in slangens munstycke (20) i röret (10) tills munstycket klickar på plats.
- ◆ När du vill ta bort röret (10) trycker du på låsknappen och drar ut slangens munstycke (20) ur röret.

Montera dammsugarmunstycket (fig. A)

Med dammsugarmunstycket (7) kan du dammsuga mattor och hårda ytor (t.ex. laminat och klinker).

- ◆ Tryck på låsknappen (21) och skjut in slangens (10) i munstycket (7) tills den klickar på plats.
- ◆ När du vill ta bort munstycket (7) trycker du på låsknappen (21) och drar ut röret (10) ur munstycket (7).

VN2010/VN2200 – Montera parkettmunstycket (fig. A)

Med parkettmunstycket (14) kan du dammsuga ytor av trä och lackerade ytor.

- ◆ Tryck på låsknappen (21) och skjut in slangens (10) i munstycket (14) tills den klickar på plats.
- ◆ När du vill ta bort munstycket (14) trycker du på låsknappen (21) och drar ut röret (10) ur munstycket.

VN2200 – Montera turboborsten (fig. A)

Med turboborsten (15) kan du dammsuga mattor med skuren lugg.

Borsten är särskilt användbar för att suga upp till exempel hårstrån och trådar, och för att fräscha upp nedtrampad mattlugg.

- ◆ Tryck på låsknappen (21) och skjut in slangens (10) i munstycket (15) tills den klickar på plats.
- ◆ När du vill ta bort munstycket (15) trycker du på låsknappen (21) och drar ut röret (10) ur munstycket.

Monteringstillbehör (fig. A)

Med elementmunstycket (12) kan du dammsuga i trånga utrymmen och utrymmen som är svåra att nå. Med borstmunstycket (13) kan du dammsuga på möbler, persienner, gardiner och trappor. Tillbehören kan monteras både på slangens (1) och röret (10).

- ◆ Tryck på låsknappen (19 eller 21) och skjut på tillbehöret på slangens munstycke (20) eller på röret (10).
- ◆ När du vill ta bort ett tillbehör trycker du på låsknappen (19 eller 21) och drar bort tillbehöret.

När du inte använder tillbehören kan du förvara dem i tillbehörshållaren (22). Tillbehörshållaren förvaras på slangens munstycke. Den snäpps fast. När du vill ta bort tillbehörshållaren drar du bort den från slangens munstycke. I figur A visas hur munstyckena förvaras.

Användning

Dra ut och dra in sladden

Du kan trycka på knappen för indragning av elsladden (6) med handen eller med foten.

- ◆ Innan du ska dammsuga drar du ut elsladden från baksidan av dammsugaren.
- ◆ När du är klar trycker du på knappen för indragning av elsladden (6), så dras sladden in i dammsugaren igen. Styr elsladden med handen så att den inte svänger tillbaka. Se till att kontakten sitter där den ska.

Justera rörets längd (fig. B)

Förlängningsröret (10) består av tre delar.

- ◆ När du vill dra ut den mittersta och den nedre delen trycker du på den nedre justeringsknappen (23). Sedan drar du ut röret helt tills det klickar på plats.

- ◆ De två översta delarna kan justeras i elva steg. Tryck på den övre justeringsknappen (24) och dra ut röret. Se till att röret klickar på plats.

Justera dammsugarmunstycket (fig. A)

- ◆ Ställ golvyteväljaren (25) i uppåtläge när du vill dammsuga mattor.
- ◆ Ställ golvyteväljaren (25) i nedåtläge när du vill dammsuga laminat och klinker.

Slå på och av

- ◆ Du kan trycka på strömbrytaren (4) med handen eller med foten.
- ◆ Starta apparaten genom att trycka in strömbrytaren (4).
- ◆ Stäng av apparaten genom att trycka in strömbrytaren (4) igen.

Justera luftflödet (fig. B)

- ◆ Vrid kontrollknappen för luftflöde (11) när du vill justera luftflödet. Max- och min-lägena visas.

Dammsuga

- ◆ När du använder dammsugaren ser du till att slangen löper fritt, och att den inte är vriden eller blockerad.
- ◆ Vid överhettning aktiveras en säkerhetsbrytare och dammsugaren stannar automatiskt.
- ◆ Om dammsugaren slutar fungera drar du ut elsladden och låter dammsugaren svalna av under 2-3 timmar.

Råd för bästa resultat

- ◆ När du arbetar i trånga utrymmen kan du ta bort tillbehörshållaren från röret för att få större räckvidd.
- ◆ När du dammsuger trappor ska du alltid börja nedifrån. Ställ dammsugaren på golvet och dammsug halva trappan. Sedan bär du dammsugaren till ett säkert ställe minst ett trappsteg nedanför den plats där du själv står. Därefter dammsuger du trappans övre halva.

VN2200 – Använda turboborsten (fig. A)

- ◆ Se till att hastighetsreglaget har vridits till det högsta läget. Skjut reglaget överst på borsten för att optimera sugkraften.
- ◆ Dra borsten framåt och bakåt med jämna tag. Håll inte borsten länge på samma plats. Det kan skada ytan.

Bära apparaten (fig. C)

Du kan bära dammsugaren i handtaget (5) när du använder den.

- ◆ Luta handtaget till rätt läge. Se bilden.

Parkera dammsugarmunstycket tillfälligt (fig. D)

- ◆ Använd parkeringsläget om du vill parkera dammsugarmunstycket tillfälligt.

Förvara apparaten (fig. E och F)

Varning! Varning! När du lagrar dammsugaren ska du stänga av den och dra ut elsladden.

- ◆ Se till att elsladden är helt indragen.
- ◆ Ställ dammsugaren i upprätt läge.
- ◆ Linda slangen runt dammsugaren.
- ◆ Sätt in dammsugarmunstyckets hake (26) i fördjupningen i dammsugaren.
- ◆ Tryck på röret tills låsanordningen (27) skjuts in i motsvarande fördjupning i dammsugaren. Se bilden. Låsanordningen (27) aktiveras automatiskt.
- ◆ Förvara dammsugaren på en torr plats. Du kan bära dammsugaren i behållarens handtag (2).
- ◆ När du vill använda röret tar du loss det från dammsugaren genom att trycka på spaken på låsanordningen (27) på rörets baksida. Sedan drar du loss röret från dammsugaren och lyfter ut röret och munstycket ur parkeringsspåren.

Underhåll

Detta Black & Decker-verktyg har tillverkat för att fungera under lång tid med ett minimum av underhåll. Med rätt underhåll och regelbunden rengöring behåller verktyget sin prestanda.

Rengöra filtret

Dammsugaren har en funktion för att rengöra filtret.

- ◆ När du har använt dammsugaren stänger du av den, men drar inte ut elsladden.
- ◆ Se till att behållaren sitter fast ordentligt.
- ◆ Tryck på kontakten för filterrengöring (3). Filtret rengörs under tio sekunder, och sedan stängs rengöringen av automatiskt. Under de här tio sekunderna rengörs filtret av det automatiska rengöringssystemet.
- ◆ Därefter kan du dra ut elsladden ur uttaget.

På det här sättet ser du till att dammsugaren fungerar optimalt nästa gång den används.

Obs! Apparaten har utformats så att det inte går att dammsuga när filtret rengörs. Om dammsugaren startas under rengöringen stoppas rengöringen.

Varning! Dra ut elsladden innan du utför underhåll på eller rengör apparaten.

- ◆ Rengör regelbundet apparatens luftintag med en mjuk borste eller torr trasa.
- ◆ Rengör kåpan regelbundet med en fuktig trasa. Använd aldrig rengöringsmedel med lösnings- eller slipmedel.

VN2200 – Rensa turboborsten (fig. G)

- ◆ Ta bort hår och trådar som har samlats i borsten (28).

Använd en sax om det behövs.

- ◆ Lyft bort kåpan (29) om du vill ta bort främmande föremål som blockerar luftturbinen (30). Sätt tillbaka kåpan.

Tömma behållaren (fig. H och I)

Behållaren (9) måste tömmas när smutsen når upp till maxmarkeringen på lådan.

- ◆ Ta ut behållaren (9) ur dammsugaren genom att trycka på de två låsknapparna (31) och samtidigt lyfta ut behållaren ur dammsugaren.
- ◆ Tryck på den nedre dörrspärren (32) för att släppa ut smutsen.
- ◆ Töm behållaren.
- ◆ Rengör filtret enligt anvisningarna nedan.
- ◆ Stäng den nedre dörren och se till att den klickar på plats.
- ◆ Sätt tillbaka behållaren (9) i dammsugaren. Se till att låsknapparna (31) klickar på plats.
- ◆ Tryck på kontakten för filterrengöring (3). Filtret rengörs under tio sekunder, och sedan stängs rengöringen av automatiskt. På det här sättet ser du till att dammsugaren fungerar optimalt nästa gång den används.

Rengöring

Varning! Stäng av apparaten och dra ut elsladden innan du utför underhåll på eller rengör den.

- ◆ Torka av apparaten med en fuktig trasa ibland. Använd aldrig rengöringsmedel med lösnings- eller slipmedel. Doppa aldrig apparaten i vatten.

Rengöra behållarens filter (fig. H-K)

Behållarens filter förhindrar att damm och smuts kommer in i motorkåpan. Filtren kan återanvändas och bör rengöras med jämna mellanrum.

- ◆ Ta loss behållaren från dammsugaren (fig. H).
- ◆ Tryck på den nedre dörrspärren (32) för öppna den nedre dörren (fig. I).
- ◆ Ta bort förfiltret (33) från behållaren (9) (fig. J) genom att vrida motsols.
- ◆ Dra loss filtret (34) från filterhållaren (fig. K).

Varning! Borsta inte och använd inte heller tryckluft när du rengör filtret.

- ◆ Om det behövs skölj du av filtrets utsida med vatten. Låt filtret torka i ett dygn innan du sätter tillbaka det.

Varning! Tvätta inte filtrets insida.

- ◆ Byt ut filtret.
- ◆ Sätt tillbaka förfiltret igen.
- ◆ Stäng den nedre dörren.
- ◆ Sätt tillbaka behållaren i dammsugaren.

Rengöra motorfiltret (fig. H och L)

Motorfiltret (35) förhindrar att partiklar och större föremål kommer in i motorkåpan när behållaren tas bort.

Filtret (35) kan återanvändas och bör rengöras med jämna mellanrum.

- ◆ Ta loss behållaren från dammsugaren (fig. H).
- ◆ Ta ut filtret (35) (fig. L).

- ◆ Borsta bort allt damm från filtret.
- ◆ Sätt tillbaka filtret (35).
- ◆ Sätt tillbaka behållaren i dammsugaren.

Byta filtren

Om behållarens filter (34) är skadat eller inte fungerar som det ska, måste det bytas ut. Filter finns att köpa hos din Black & Decker-återförsäljare (katalognr. VFL50):

Byta ut behållarens filter

- ◆ Följ anvisningarna ovan om du vill byta ut filtret (34).

Byta ut utblåsfiltret (fig. M och N)

Dammsugaren har ett filter som ska fungera under hela dess livstid. Om det ändå måste bytas ut följer du anvisningarna nedan:

- ◆ Ta bort de två skruvarna (36).
- ◆ Ta bort kåpan (37) genom att lyfta upp den med ett verktyg.
- ◆ Dra ut det gamla filtret (38).
- ◆ Sätt in ett nytt filter. Se bilden.
- ◆ Montera kåpan igen med de två skruvarna (36).

Reservkontakt (endast Storbritannien och Irland)

Byt ut kontakten enligt följande:

- ◆ Gör dig av med den gamla kontakten på lämpligt sätt.
- ◆ Anslut den bruna ledningen till den strömförande anslutningen i den nya kontakten.
- ◆ Anslut den blå ledningen till den icke strömförande anslutningen.

Varning! Anslut inte till jordningsanslutningen. Följ monteringsanvisningarna som medföljer kontakter av god kvalitet. Rekommenderad säkring: 5 A.

Miljö



När ditt verktyg är utslitet, skydda naturen genom att inte slänga det tillsammans med vanligt avfall. Black & Decker-verkstäder tar emot gamla Black & Decker-verktyg och ser till att de omhändertas på ett miljövänligt sätt.



Insamling av uttjänta produkter och förpackningsmaterial gör att material kan återanvändas. Användning av återvunnet material minskar föroreningar av miljön och behovet av råmaterial.

Lokala föreskrifter kan kräva separat insamling av elprodukter från hushållen, vid kommunala samlingsplatser eller hos återförsäljaren när du köper en ny produkt.

Black & Decker samlar in och återvinner uttjänta Black & Decker-produkter. Om du vill utnyttja denna tjänst återlämnar du produkten till en auktoriserad verkstad, som samlar in den för vår räkning.

För information om närmaste auktoriserade verkstad, kontakta det lokala Black & Decker-kontoret på den adress som är angiven i bruksanvisningen. En lista på alla auktoriserade verkstäder samt servicevillkor finns även tillgängliga på Internet: www.2helpU.com.

Tekniska data

	VN1800	VN2000	VN2010	VN2200
Spänning	VAC 230	230	230	230
(Australien och Nya Zeeland)	VAC 240			
Ineffekt	W 1800	2000	2000	2200
Kabellängd	m 6	7	7	8
Behållarens storlek	l 2.5	2.5	2.5	2.5
Vikt	kg 9.1	9.6	9.6	9.7

EC-förklaring om överensstämmelse

VN1800/VN2000/VN2010/VN2200

Black & Decker förklarar att dessa produkter överensstämmer med:

89/336/EEC, 73/23/EEC, EN 55014, EN 61000, EN 60335, EN 61000-3-11

Ljudnivå, mätt enligt
EN 60704-1: = 73 dB (A)



Kevin Hewitt
Director of Consumer Engineering
Spennymoor, County Durham
DL16 6JG,
Storbritannien
01-08-2006

För att utnyttja garantin skall produkten och inköpskvittot lämnas till återförsäljaren eller till en auktoriserad verkstad senast 2 månader efter det att felet har upptäckts. För information om närmaste auktoriserad verkstad, kontakta det lokala Black & Decker-kontoret på den adress som är angiven i bruksanvisningen. En lista på alla auktoriserade verkstäder samt servicevillkor finns även tillgängliga på Internet:

www.2helpU.com

Besök vår webbplats www.blackanddecker.se för att registrera din nya Black & Decker-produkt samt för att erhålla information om nya produkter och specialerbjudanden. Vidare information om märket Black & Decker och vårt produktsortiment återfinns på www.blackanddecker.se.

Garanti

Black & Decker garanterar att produkten är fri från material- och/eller fabriktionsfel vid leverans till kund. Garantin är i tillägg till konsumentens lagliga rättigheter och påverkar inte dessa. Garantin gäller inom medlemsstaterna i Europeiska Unionen och i det Europeiska Frihandelsområdet.

Om en Black & Decker-produkt går sönder på grund av material- och/eller fabriktionsfel eller brister i överensstämmelse med specifikationen, inom 24 månader från köpet, åtar sig Black & Decker att reparera eller byta ut produkten med minsta besvär för kunden, förutom om:

- ◆ Produkten har använts i kommersiellt, yrkesmässigt eller uthyringssyfte.
- ◆ Produkten har utsatts för felaktig användning eller skötsel.
- ◆ Produkten har skadats av främmande föremål, ämnen eller genom olyckshändelse.
- ◆ Reparation har utförts av någon annan än en auktoriserad Black & Decker-verkstad.

Bruksområde

Denne støvsugeren fra Black & Decker er bare laget for å støvsuge tørt materiale. Produktet er kun ment å brukes i private husholdninger.

Sikkerhetsinstrukser

Advarsel! Ved bruk av batteridrevne apparater må grunnleggende sikkerhetsforholdsregler (inkludert punktene som er beskrevet nedenfor) alltid følges for å redusere risikoen for brann, elektrisk støt, personskade og skade på materiell.

- ◆ Les hele håndboken nøye før du bruker apparatet.
- ◆ Tiltent bruk er beskrevet i denne håndboken. Bruk av tilbehør eller utføring av oppgaver som ikke er anbefalt for apparatet i denne håndboken, kan medføre fare for personskade.
- ◆ Oppbevar håndboken for fremtidig referanse.

Bruk av apparatet

- ◆ Pass på at apparatet er slått av før du kobler det til eller fra strøm.
- ◆ Vær alltid forsiktig når du bruker apparatet.
- ◆ Ikke bruk apparatet utendørs.
- ◆ Du må aldri dra i strømledningen når du skal ta støpselet ut fra stikkkontakten. Hold strømledningen borte fra varmekilder, olje og skarpe kanter.
- ◆ Hvis strømledningen blir skadet under bruk, må du øyeblikkelig koble strømmen fra apparatet. Ikke ta på strømledningen før den er koblet fra stikkkontakten.
- ◆ Koble strømmen fra apparatet når det ikke er i bruk, før du setter på eller tar av deler og før du rengjør apparatet.

Andre personers sikkerhet

- ◆ Ikke la barn eller andre som ikke kjenner til disse instruksjonene bruke apparatet.
- ◆ Pass på at barn og dyr ikke kommer i nærheten av arbeidsområdet, og at de ikke berører apparatet eller strømledningen. Pass godt på og vær forsiktig når apparatet brukes i nærheten av barn.

Etter bruk

- ◆ Slå av apparatet og trekk støpselet ut fra stikkkontakten før du lar apparatet stå uten tilsyn, og før du skifter, rengjør eller kontrollerer noen deler av apparatet.
- ◆ Når apparatet ikke er i bruk, skal det oppbevares på et tørt sted. Barn skal ikke ha tilgang til apparater som ikke er i bruk.

Kontroll og reparasjon

- ◆ Kontroller at apparatet ikke er skadet eller har defekte deler før du bruker det. Kontroller om noen av delene har sprekker, om bryterne er skadet eller om det er andre forhold som kan ha innvirkning på driften.
- ◆ Ikke bruk apparatet hvis det har skadde eller defekte deler.

- ◆ Overlat reparasjon eller utskifting av skadde eller defekte deler til et autorisert serviceverksted.
- ◆ Før bruk må du sjekke strømledningen for tegn på skade, aldring og slitasje.
- ◆ Ikke bruk apparatet hvis strømledningen er skadet eller defekt.
- ◆ Hvis strømledningen eller støpselet er skadet eller defekt, må det repareres av et autorisert reparasjonsverksted for å unngå fare. Du må ikke kutte strømledningen eller forsøke å reparere det selv.
- ◆ Forsøk aldri å fjerne eller skifte ut andre deler enn de som er oppgitt i denne håndboken.

Elektrisk sikkerhet



Dette apparatet er dobbeltisolert. Jording er derfor ikke nødvendig. Kontroller at spenningen er i overensstemmelse med spenningen på typeskiltet.

Ekstra sikkerhetsanvisninger for støvsugere

- ◆ Før bruk må du alltid kontrollere at filteret er riktig plassert
- ◆ Du må ikke bære apparatet etter håndtaket på beholderen.
- ◆ Ikke bruk apparatet til å sugе opp væske.
- ◆ Ikke bruk apparatet til å sugе opp materialer som kan ta fyr.
- ◆ Ikke bruk apparatet i nærheten av vann. Ikke senk apparatet ned i vann.
- ◆ Hold innsuget borte fra øynene og ansiktet.
- ◆ Hold barn og dyr på trygg avstand når du bruker apparatet.
- ◆ Arbeid alltid nedenfra og opp når du bruker apparatet i trapper, og la apparatet stå minst ett trinn under det du arbeider med.
- ◆ Ikke bruk apparatet uten at støvsugerhodet eller et annet passende tilbehør er montert på røret.
- ◆ Hold hår, klær og hansker unna bevegelige deler. Ikke berør den roterende børsten. Hold den roterende børsten unna strømledningen.
- ◆ Ikke bruk tilbehør som er skadet.
- ◆ Bruk kun tilbehør fra Black & Decker.

Funksjoner

Dette apparatet inneholder noen av eller alle funksjonene nedenfor:

1. Slange
2. Beholderhåndtak
3. Bryter for rengjøring av filter
4. Strømbryter
5. Håndtak
6. Knapp for innrulling av ledning
7. Støvsugerhode
8. Hjul
9. Beholder
10. Forlengelsesrør
11. Kontrollbryter for luftstrøm

I tillegg er apparatet utstyrt med noe av eller alt det følgende tilbehøret (figur A):

12. Smalt sugestykke
13. Børsteverktøy
14. Parketthode (VN2010 / VN2200)
15. Turbobørste (VN2200)

Parketthodet følger ikke med alle modeller. Dette tilbehøret kan kjøpes fra din Black & Decker-forhandler/servicesenter (katalognummer WV100).

Turbobørsten følger ikke med alle modeller. Dette tilbehøret kan kjøpes fra din Black & Decker-forhandler/servicesenter (katalognummer WV200).

Montering

Koble til slangen (figur A)

- ◆ Sett slangekoblingen (16) inn i apparatets inngang (17).
- ◆ Hold tappene på slangekoblingen overfor sporene i inngangen.
- ◆ Skyv slangen videre inntil utløserknappene (18) (2 posisjoner) klikker på plass.
- ◆ Når du skal koble fra slangen, trykker du på utløserknappene (18) (2 posisjoner) og trekker slangen ut.

Montere forlengerrøret (figur A)

- ◆ Trykk på låseknappen (19) og skyv slangetuppen (20) inn i røret (10) slik at det klikker på plass.
- ◆ Når du skal ta av røret (10), trykker du inn låseknappen og trekker slangetuppen (20) ut fra røret.

Montere støvsugerhodet (figur A)

Støvsugerhodet (7) gjør det enklere å støvsuge tepper og harde flater (for eksempel laminat og fliser).

- ◆ Trykk på låseknappen (21) og skyv røret (10) inn i hodet (7) slik at det klikker på plass.
- ◆ Når du skal ta av hodet (7), trykker du på låseknappen (21) og trekker røret (10) ut fra hodet (7).

VN2010/VN2200 - Montere parketthodet (figur A)

Parketthodet (14) er laget spesielt til støvsuging av overflater av tre og polerte overflater.

- ◆ Trykk på låseknappen (21) og skyv røret (10) inn i hodet (14) slik at det klikker på plass.
- ◆ Når du skal ta av hodet (14), trykker du på låseknappen (21) og trekker røret (10) ut fra hodet.

VN2200 - Montere turbobørsten (figur A)

Turbobørsten (15) egner seg spesielt godt til støvsuging av lodne tepper.

Børsten er særlig effektiv til å plukke opp hår, tråder med mer, og løfter dessuten opp nedtråkket teppebust.

- ◆ Trykk på låseknappen (21) og skyv røret (10) inn i hodet (15) slik at det klikker på plass.
- ◆ Når du skal ta av hodet (15), trykker du på låseknappen (21) og trekker røret (10) ut fra hodet.

Montere tilbehør (figur A)

Det smale sugestykket (12) er laget for støvsuging av smale og utilgjengelige steder. Børsteverktøyet (13) kan brukes ved støvsuging av møbler, persiennner, gardiner, vinduer og trapper. Tilbehøret kan monteres direkte på slangen (1) eller på røret (10).

- ◆ Trykk på låseknappen (19 eller 21) og skyv tilbehøret inn på slangetuppen (20) eller på røret (10).
- ◆ Når du skal ta av et tilbehør, trykker du på låseknappen (19 eller 21) og trekker tilbehøret av.

Når tilbehøret ikke er i bruk, kan det oppbevares i tilbehørholderen (22). Tilbehørholderen kan monteres på slangetuppen. Den kan klipses på plass, og fjernes ved å trekke den bort fra slangetuppen. Tilbehøret oppbevares som vist på figur A.

Bruk

Rulle ledningen ut og inn

Knappen for innrulling av ledningen (6) kan betjenes med hånden eller foten.

- ◆ Før bruk trekker du en passende lengde av ledningen ut fra baksiden av apparatet.
- ◆ Etter bruk trykker du på innrullingsknappen (6) for å rulle ledningen inn i apparatet igjen. Styr ledningen med hånden for å unngå å bli truffet av den. Pass på at støpselet blir riktig plassert.

Justere lengden på røret (figur B)

Forlengerrøret (10) består av tre deler.

- ◆ Når du skal trekke ut den midtre og nedre delen, trykker du på den nedre justeringsknappen (23) og trekker røret helt ut slik at det klikker på plass.
- ◆ De to øverste delene kan justeres i 11 trinn. Trykk inn den øvre justeringsknappen (24) og skyv røret til ønsket lengde. Forsikre deg om at røret klikker på plass.

Justere støvsugerhodet (figur A)

- ◆ Når du støvsuger tepper, skal overflatevelgeren (25) stå i øvre posisjon.
- ◆ Når du støvsuger laminat, vinyl, fliser, osv. skal overflatevelgeren (25) stå i nedre posisjon.

Start og stopp

- ◆ Av/på-bryteren (4) kan betjenes med hånden eller foten.
- ◆ Når du skal slå apparatet på, trykker du på av/på-bryteren (4).
- ◆ Når du skal slå apparatet av, trykker du på av/på-bryteren (4) på nytt.

Justere luftstrømmen (figur B)

- ◆ Roter kontrollbryteren for luftstrøm (11) for å justere luftstrømmen etter behov. Posisjonen for maksimal og minimal luftstrøm er avmerket.

Støvsuge

- ◆ Når du bruker apparatet må du passe på at slangen ikke er fastklemt, vridd eller blokkert
- ◆ Ved eventuell overoppheting vil en nødbryter bli aktivert slik at apparatet stopper automatisk.
- ◆ Hvis du opplever at apparatet stopper av seg selv, kobler du fra strømmen og lar det avkjøle seg i to til tre timer.

Råd for optimal bruk

- ◆ Når du arbeider på trange steder kan du ta tilbehørsholderen av røret for å få bedre rekkevidde.
- ◆ Når du støvsuger trapper, må du alltid starte nederst og arbeide deg oppover. Sett apparatet på gulvet og gjør trappen omtrent halvferdig. Deretter løfter du apparatet til en stabil posisjon minst ett trinn under arbeidsposisjonen, og gjør ferdig den øvre halvdelene av trappene.

VN2200 - Bruke turbobørsten (figur A)

- ◆ Kontroller at hastighetsbryteren er på den høyeste innstillingen. Flytt skyvebryteren over børsten etter behov for å få optimal sugekraft.
- ◆ Beveg børsten jevnt frem og tilbake. Ikke hold børsten på samme sted i lengre tid, siden det kan skade overflaten.

Bære apparatet (figur C)

Under bruk kan apparatet bæres etter håndtaket (5).

- ◆ Vipp håndtaket i posisjon som vist på figuren.

Parkere støvsugerhodet midlertidig (figur D)

- ◆ Bruk parkeringsposisjonen til midlertidig parkering av støvsugerhodet.

Oppbevare apparatet (figur E og F)

Advarsel! Når du oppbevarer apparatet må det være av og frakoblet strøm.

- ◆ Kontroller at ledningen er rullet helt inn.
- ◆ Sett apparatet i oppreist posisjon.
- ◆ Surr slangen rundt apparatet.
- ◆ Sett kroken på støvsugerhodet (26) inn i forsenkningen i apparatet.
- ◆ Skyv røret slik at låseanordningen (27) settes inn i den tilhørende forsenkningen på apparatet, som vist på figuren. Låseanordningen (27) festes automatisk.
- ◆ Oppbevar apparatet på et tørt sted. Apparatet kan bæres etter beholderhåndtaket (2).
- ◆ Når du skal ta røret av apparatet for å bruke det, trykker du på hendelen på låseanordningen (27) bak på røret, trekker røret bort fra apparatet og løfter røret og hodet ut fra parkeringsfestene.

Vedlikehold

Black & Decker-verktøyet ditt er konstruert for å være i drift over lengre tid med et minimum av vedlikehold. Det er avhengig av godt vedlikehold og regelmessig rengjøring for å fungere som det skal til enhver tid.

Rengjøre filteret

Apparatet er utstyrt med en funksjon for rengjøring av filteret.

- ◆ Etter hvert bruk slår du apparatet av, men uten å koble fra strømmen.
- ◆ Kontroller at beholderen står sikkert på plass.
- ◆ Trykk inn bryteren for filterrengjøring (3). Rengjøringsssyklusen for filteret går i ti sekunder. Deretter slår den seg automatisk av. I løpet av disse ti sekundene blir filteret rengjort av det automatiske systemet.
- ◆ Nå kan du ta støpselet ut fra stikkontakten.

Dette sikrer at apparatet fungerer optimalt neste gang det brukes.

Merk: Apparatet er laget slik at du ikke kan støvsuge mens filteret rengjøres. Hvis du slår støvsugeren på mens filteret rengjøres, vil rengjøringsssyklusen stoppe.

Advarsel! Før du utfører noe vedlikehold på eller rengjøring av apparatet, må du koble fra strømmen.

- ◆ Rengjør ventilasjonsåpningene i apparatet jevnlig med en myk børste eller tørr klut.
- ◆ Rengjør motorhuset jevnlig med en fuktig klut. Ikke bruk slipende eller løsemiddelbaserte rengjøringsmidler.

VN2200 - Rengjøre turbobørsten (figur G)

◆ Fjern alt hår og tråder som har samlet seg på børsten (28).
Bruk saks om nødvendig.

- ◆ Ta av dekslet (29) for å fjerne eventuelle fremmedlegemer som blokkerer luftturbinen (30). Sett dekslet tilbake på plass.

Tømme beholderen (figur H og I)

Beholderen (9) må tømmes når den er fylt opp til maksimumsmerket.

- ◆ Ta beholderen (9) av apparatet ved å trykke inn de to utløserknappene (31) og løfte beholderen ut av apparatet.
- ◆ Trykk inn den nedre dørlåsen (32) for å frigjøre innholdet.
- ◆ Tøm beholderen etter behov.
- ◆ Rengjør filteret som beskrevet nedenfor.
- ◆ Lukk den nedre døren slik at den klikker på plass.
- ◆ Sett beholderen (9) tilbake på plass i apparatet. Pass på at utløserknappene (31) klikker på plass.
- ◆ Trykk inn bryteren for filterrengjøring (3).
Rengjøringssyklusen for filteret går i ti sekunder. Deretter slår den seg automatisk av. Dette sikrer at apparatet fungerer optimalt neste gang det brukes.

Rengjøring

Advarsel! For rengjøring og vedlikehold må du slå apparatet av og trekke støpselet ut fra stikkontakten.

- ◆ Av og til kan du tørke av apparatet med en fuktig klut. Ikke bruk slipende eller løsemiddelbaserte rengjøringsmidler. Ikke senk apparatet ned i vann.

Rengjøre beholderfiltrene (figur H - K)

Beholderfiltrene forhindrer støv og skitt fra å komme inn i motorhuset. Filtrene kan brukes på nytt og bør rengjøres jevnlig.

- ◆ Ta beholderen ut fra apparatet (figur H).
- ◆ Trykk inn den nedre dørlåsen (32) for å frigjøre den nedre døren (figur I).
- ◆ Ta forfilteret (33) ut fra beholderen (9) (figur J) ved å rotere det mot klokken.
- ◆ Trekk filteret (34) av filterholderen (figur K).

Advarsel! Ikke rengjør filteret med børste eller trykkluft.

- ◆ Hvis filterets tilstand tilsier det kan du skylle utsiden av filteret med vann. La filteret tørke i 24 timer før du setter det tilbake på plass.

Advarsel! Ikke vask innsiden av filteret.

- ◆ Sett filteret tilbake på plass.
- ◆ Sett forfilteret tilbake på plass.
- ◆ Lukk den nedre døren.
- ◆ Sett beholderen tilbake på plass i apparatet.

Rengjøre motorfilteret (figur H og L)

Motorfilteret (35) forhindrer partikler og større gjenstander fra å komme inn i motorhuset når beholderen er tatt ut.

Filteret (35) kan brukes på nytt og bør rengjøres jevnlig.

- ◆ Ta beholderen ut fra apparatet (figur H).
- ◆ Ta filteret (35) ut (figur L).
- ◆ Børst eventuelt løst støv av filteret.
- ◆ Sett filteret (35) tilbake på plass.
- ◆ Sett beholderen tilbake på plass i apparatet.

Utskifting av filtrene

Hvis beholderfilteret (34) er skadet eller ikke fungerer som det skal, må det skiftes. Reservefiltre får du hos din Black & Decker-forhandler (katalognummer VLF50).

Skifte beholderfilteret

- ◆ Følg fremgangsmåten over for å bytte filteret (34).

Skifte utgangsfiltret (figur M og N)

Apparatet er utstyrt med et filter som skal vare hele apparatets levetid, men hvis du likevel må bytte det, kan du følge denne fremgangsmåten:

- ◆ Skru ut de to skruene (36)
- ◆ Ta av dekslet (37) ved å bruke et verktøy til å løfte dekslet opp.
- ◆ Ta ut det gamle filteret (38) ved å trekke det ut.
- ◆ Sett inn det gamle filteret som vist på figuren.
- ◆ Sett dekslet tilbake på plass med de to skruene (36).

Skifte nettplugg (bare Storbritannia og Irland)

Hvis ny nettplugg må settes på:

- ◆ Deponer den gamle pluggen på miljøvennlig måte.
- ◆ Koble den brune ledningen til det strømførende tilkoblingspunktet i den nye pluggen.
- ◆ Koble den blå ledningen til nullpunkt-klemmen.

Advarsel! Det skal ikke kobles til jordkontakten. Følg monteringsinstruksene som følger med kvalitetspluggen.

Anbefalt sikring: 5 A.

Miljø

Når verktøyet er utslitt, bør det kasseres på en miljøvennlig måte. Black & Decker-serviceverkstedene tar i mot gamle Black & Decker-verktøy og kasserer dem på en miljømessig forsvarlig måte.



Hvis brukte produkter og emballasje leveres atskilt, kan materialer resirkuleres og brukes på nytt. Resirkulering av brukte produkter gir redusert miljøforurensning og mindre behov for råmaterialer.

Det kan være lokale bestemmelser for egen innsamling av elektriske produkter fra husstander, på kommunale avfallsplasser eller hos forhandleren når du kjøper et nytt produkt.

Black & Decker tar i mot brukte Black & Decker-produkter for resirkulering. Du kan levere produktet til et autorisert serviceverksted.

For informasjon om nærmeste autoriserte serviceverksted, kontakt ditt lokale Black & Decker-kontor på den adressen som er angitt i bruksanvisningen. Det finnes også en liste over autoriserte Black & Decker-serviceverksteder og opplysninger om ettersalgsservice og kontakter på Internett:

www.2helpU.com.

Tekniske data

	VN1800	VN2000	VN2010	VN2200
Spennning	V AC 230	230	230	230
(Australia og New Zealand)	V AC 240			
Inn-effekt	W 1800	2000	2000	2200
Kabellengde	m 6	7	7	8
Beholderstr.	I 2,5	2,5	2,5	2,5
Vekt	kg 9,1	9,6	9,6	9,7

Samsvarserklæring for EU

VN1800/VN2000/VN2010/VN2200

Black & Decker erklærer at disse produktene overholder: 89/336/EEC, 73/23/EEC, EN 55014, EN 61000, EN 60335, EN 61000-3-11

Lydtrykknivå målt i henhold til EN 60704-1: = 73 dB(A)



Kevin Hewitt
Direktør for forbrukerteknikk
Spennymoor, County Durham
DL16 6JG,
Storbritannia
01.08.2006

- ♦ produktet har vært brukt i yrkes-/næringsvirksomhet eller til utleie.
- ♦ produktet har vært utsatt for feilaktig bruk eller mislighold.
- ♦ produktet har blitt skadet av fremmede gjenstander eller stoffer eller ved et uhell.
- ♦ reparasjoner er forsøkt utført av andre enn autoriserte serviceverksteder eller Black & Deckers serviceteknikere.

For å ta garantien i bruk skal produktet og kjøpekvittering leveres til forhandleren eller til et autorisert serviceverksted. For informasjon om nærmeste autoriserte serviceverksted, kontakt ditt lokale Black & Decker-kontor på den adressen som er angitt i bruksanvisningen. En oversikt over autoriserte serviceverksteder og opplysninger om ettersalgsservice og kontakter er også tilgjengelig på Internett:

www.2helpU.com

Besøk vårt webområde www.blackanddecker.no for å registrere ditt nye Black & Decker-produkt og for å holde deg oppdatert om nye produkter og spesialtilbud. Du finner mer informasjon om Black & Decker og produktutvalget vårt på www.blackanddecker.no.

Garanti

Black & Decker er trygg på kvaliteten til sine produkter og tilbyr en enestående garanti. Denne garantierklæringen kommer i tillegg til dine lovbestemte rettigheter, og er ikke i konflikt med disse. Garantien er gyldig i EU- og EFTA-medlemsstatene.

Hvis et Black & Decker-produkt går i stykker på grunn av material- og/eller fabrikkasjonsfeil eller har mangler i forhold til spesifikasjonene, innen 24 måneder fra kjøpet, påtar Black & Decker seg å skifte ut defekte deler, reparere produkter som har vært utsatt for alminnelig slitasje, eller bytte ut slike produkter med minst mulig vanskelighet for kunden, med mindre:

Anvendelsesområde

Din Black & Decker støvsuger er beregnet til støvsugning af tørre overflader. Produktet er kun beregnet til brug i husholdninger.

Sikkerhedsvejledninger

Advarsel! Ved brug af apparater, der strømforsynes fra forsyningsnettet, er det vigtigt, at grundlæggende sikkerhedsforholdsregler, herunder bl.a. nedenstående, altid følges for at mindske risikoen for brand, elektrisk stød, personskade og tingskade.

- ◆ Læs hele denne vejledning omhyggeligt, før du bruger apparatet.
- ◆ Apparatets påtænkte anvendelse fremgår af vejledningen. Brugen af ekstraudstyr eller tilbehør eller udførelse af opgaver med apparatet ud over de i brugervejledningen anbefalede kan medføre risiko for personskade.
- ◆ Opbevar denne vejledning til fremtidig brug.

Brug af apparatet

- ◆ Sørg for, at der er slukket for apparatet, før det tilsluttes eller frakobles fra strømforsyningen.
- ◆ Vær altid opmærksom ved brugen af apparatet.
- ◆ Apparatet må ikke bruges udendørs.
- ◆ Træk aldrig i netledningen for at tage stikket ud af stikkontakten. Beskyt netledningen mod varmpåvirkninger, olie og skarpe kanter.
- ◆ Hvis netledningen bliver beskadiget under brug, skal du med det samme tage apparatet ud af stikkontakten. Undlad at berøre netledningen, før der er slukket for strømmen.
- ◆ Afbryd strømmen til apparatet, når det ikke bruges, før dele monteres eller fjernes, og før rengøring af apparatet.

Andres sikkerhed

- ◆ Lad ikke børn eller personer, der ikke har læst disse instruktioner, benytte apparatet.
- ◆ Lad ikke børn eller dyr komme i nærheden af arbejdsområdet eller berøre apparatet eller netledningen. Vær opmærksom, når apparatet benyttes i nærheden af børn.

Efter brug

- ◆ Sluk for stikkontakten, og tag stikket ud af kontakten, før apparatet efterlades uden opsyn, og før du udskifter, rengør eller kontrollerer nogen dele af apparatet.
- ◆ Når apparatet ikke er i brug, skal det opbevares på et tørt sted. Børn må ikke have adgang til opbevarede apparater.

Eftersyn og reparationer

- ◆ Før brug skal apparatet kontrolleres for beskadigede eller defekte dele. Se efter knækkede dele, skader på kontakter og eventuelle andre tilstande, der kan påvirke apparatets drift.

- ◆ Brug ikke apparatet, hvis nogen del af det er beskadiget eller defekt.
- ◆ Sørg for at få beskadigede eller defekte dele repareret eller udskiftet på et autoriseret værksted.
- ◆ Kontroller før brugen, om netledningen viser tegn på beskadigelse, ældning og slid.
- ◆ Undlad at bruge apparatet, hvis netledningen eller stikket er beskadiget eller ødelagt.
- ◆ Hvis netledningen eller stikket er beskadiget eller ødelagt, skal det repareres på et autoriseret værksted, så farlige situationer undgås. Undlad at skære i netledningen, og forsøg ikke selv at reparere den.
- ◆ Forsøg aldrig at fjerne eller udskifte dele ud over dem, der er beskrevet i denne vejledning.

Elektricitet og sikkerhed



Denne maskine er dobbelt isoleret. Derfor er jordledning ikke nødvendig. Kontroller altid, at strømforsyningen svarer til spændingen på typeskiltet.

Yderligere sikkerhedsvejledninger for støvsugere

- ◆ Sørg altid for, at filteret sidder korrekt, før apparatet bruges.
- ◆ Undlad at bære apparatet i hånden til beholderen.
- ◆ Brug ikke apparatet til at opsamle væsker.
- ◆ Brug ikke apparatet til at opsamle stoffer, der kan være antændelige.
- ◆ Apparatet må ikke bruges i nærheden af vand. Apparatet må ikke nedsænkes i væsker.
- ◆ Undgå at rette motoraftrækket imod øjnene og ansigtet.
- ◆ Hold børn og dyr på sikker afstand, når apparatet bruges.
- ◆ Arbejd altid nedefra og oppefter, når apparatet benyttes på trapper, og hold apparatet mindst ét trin under din arbejdsposition.
- ◆ Brug ikke apparatet uden sugemundstykke eller andet passende tilbehør monteret på røret.
- ◆ Hold hår, tøj og handsker væk fra dele, der bevæger sig. Stik ikke hånden ind i den roterende børste. Hold den roterende børste på afstand af netledningen.
- ◆ Brug ikke beskadiget tilbehør.
- ◆ Brug kun tilbehør fra Black & Decker.

Funktioner

Dette apparat leveres med nogle eller alle de følgende egenskaber.

1. Slange
2. Beholderhåndtag
3. Kontakt til rengøring af filtre
4. Afbryder
5. Håndtag
6. Knap til oprulning af ledning
7. Sugemundstykke
8. Hjul
9. Beholder
10. Forlængerrør
11. Kontakt til styring af luftindtag

Apparatet leveres desuden med noget af eller alt følgende tilbehør (fig. A):

12. Sprækkeforsats
13. Børsteforsats
14. Mundstykke til parketgulv (VN2010 / VN2200)
15. Turbobørste (VN2200)

Mundstykket til parketgulv leveres ikke med alle modeller. Dette tilbehør fås fra din Black & Decker-forhandler eller -værksted (katalognr. WV100).

Turbobørsten til parketgulv leveres ikke med alle modeller. Dette tilbehør fås fra din Black & Decker-forhandler eller -værksted (katalognr. WV200).

Montering

Montering af slangen (fig. A)

- ◆ Sæt slangeforbindelsesstykket (16) i indgangen (17) på apparatet.
- ◆ Juster slangeforbindelsestapperne med åbningerne i indgangen.
- ◆ Træk slangen længere på, indtil udløserknapperne (18) (2 positioner) klikker på plads.
- ◆ For at demontere slangen skal du trykke på udløserknapperne (18) (2 positioner) og trække slangen ud.

Montering af forlængerrøret (fig. A)

- ◆ Tryk på låseknappen (19), og skub slangemundstykket (20) ind i røret (10), indtil det klikker på plads.
- ◆ For at fjerne røret (10) skal du trykke på låseknappen og trække slangemundstykket (20) ud af røret.

Montering af sugemundstykket (fig. A)

Sugemundstykket (7) bruges til støvsugning på tæpper og hårde overflader (f.eks. laminat og fliser).

- ◆ Tryk på låseknappen (21), og skub røret (10) ind i mundstykket (7), indtil det klikker på plads.
- ◆ For at fjerne mundstykket (7) skal du trykke på låseknappen (21) og trække røret (10) ud af mundstykket (7).

VN2010/VN2200 - Montering af mundstykket til parketgulv (fig. A)

Mundstykket til parketgulv (14) bruges til støvsugning på trægulve og polerede overflader.

- ◆ Tryk på låseknappen (21), og skub røret (10) ind i mundstykket (14), indtil det klikker på plads.
- ◆ For at fjerne mundstykket (14) skal du trykke på låseknappen (21) og trække røret (10) ud af mundstykket.

VN2200 - Montering af turbobørsten (fig. A)

Turbobørsten (15) bruges til støvsugning på luvtæpper.

Børsten er især nyttig til at fjerne hår, tråde osv. samt til opfriskning af nedtrådte luvtæpper.

- ◆ Tryk på låseknappen (21), og skub røret (10) ind i mundstykket (15), indtil det klikker på plads.
- ◆ For at fjerne mundstykket (15) skal du trykke på låseknappen (21) og trække røret (10) ud af mundstykket.

Montering af tilbehør (fig. A)

Sprækkeforsatsen (12) bruges til støvsugning på smalle og svært tilgængelige steder. Børsteforsatsen (13) bruges til støvsugning på møbler, forhæng, gardiner, vinduer og trapper. Tilbehøret kan både monteres på slangen (1) og røret (10).

- ◆ Tryk på låseknappen (19 eller 21), og skub tilbehøret på slangemundstykket (20) eller røret (10).
- ◆ For at fjerne tilbehør skal du trykke på låseknappen (19 eller 21) og trække tilbehøret af.

Når det ikke er i brug, kan tilbehør opbevares i tilbehørholderen (22). Tilbehørholderen findes på slangemundstykket. Dette trykkes på plads. Træk den væk fra slangemundstykket for at fjerne den. Værktøjerne opbevares som vist i fig. A.

Anvendelse

Udrulning og oprulning af ledningen

Knappen til oprulning af ledningen (6) kan betjenes med hånden eller foden.

- ◆ Træk den nødvendige længde ledning ud fra apparatets bagside før brugen.
- ◆ Efter brug trykkes på knappen til oprulning af ledningen (6) for at rulle ledningen tilbage på plads. Styr ledningen med hånden for at sikre, at den ikke svipper tilbage. Sørg for, at stikket er placeret korrekt.

Justering af rørets længde (fig. B)

Forlængerrøret (10) består af tre dele.

- ◆ Hvis du vil forlænge den midterste/nederste del, skal du trykke på den nederste justeringsknap (23) og trække røret helt ud, indtil det klikker på plads.

- ◆ De øverste to dele kan justeres i 11 trin. Tryk på den øverste justeringsknap (24), og træk røret ud til den ønskede længde. Sørg for, at røret klikker på plads.

Justering af sugemundstykket (fig. A)

- ◆ Til støvsugning på tæpper skal du trykke gulvfladevælgeren (25) til den øverste position.
- ◆ Til støvsugning på laminater, fliser osv. skal du trykke gulvfladevælgeren (25) til den nederste position.

Start og stop

- ◆ Afbryderen (4) kan betjenes med hånden eller foden.
- ◆ Tænd for apparatet ved at trykke på afbryderen (4).
- ◆ Sluk for apparatet ved at trykke på afbryderen (4) igen.

Justering af luftindtaget (fig. B)

- ◆ Drej på kontakten til styring af luftindtaget (11) for at justere luftindtaget efter behov. Maksimum- og minimumindstillingerne er vist.

Støvsugning

- ◆ Ved anvendelse af apparatet skal du sikre dig, at slangen ikke sidder fast, er bøjet eller blokeret.
- ◆ Hvis apparatet bliver overophedet, aktiveres afbryderfunktionen, og apparatet stopper automatisk.
- ◆ Hvis apparatet holder op med at fungere, skal du tage stikket ud og lade det køle i 2-3 timer.

Gode råd til optimal brug

- ◆ Når du arbejder under trange pladsforhold, kan du midlertidigt fjerne tilbehørsholderen fra røret for at få bedre plads.
- ◆ Ved støvsugning af trapper skal du altid starte nedefra og arbejde dig opad. Placer apparatet på gulvet, og rengør trappen, indtil du er halvejs oppe. Flyt derefter apparatet til en stabil placering mindst ét trin under din arbejdsposition, og rengør den øverste halvdel af trappen.

VN2200 - Brug af turbørsten (fig. A)

- ◆ Sørg for, at hastighedskontrolknappen står på den højeste indstilling. Flyt glideren oven på børsten efter behov for at optimere sugekraften.
- ◆ Flyt børsten roligt frem og tilbage. Hold ikke børsten for længe på det samme sted, da dette kan beskadige overfladen.

Flytning af apparatet (fig. C)

Apparatet kan bæres i håndtaget (5) under brugen.

- ◆ Vip håndtaget i position som vist.

Midlertidig parkering af sugemundstykket (fig. D)

- ◆ Benyt parkeringspositionen til midlertidig parkering af sugemundstykket.

Opbevaring af apparatet (fig. E og F)

Advarsel! Ved opbevaring af apparatet skal du slukke for apparatet og tage stikket ud af stikkontakten.

- ◆ Sørg for, at ledningen er rullet helt op.
- ◆ Placer apparatet i stående stilling.
- ◆ Rul slangen omkring apparatet.
- ◆ Sæt krogen på sugemundstykket (26) i udsparringen på apparatet.
- ◆ Tryk på røret, indtil låseanordningen (27) går ind i den tilsvarende udsparring på apparatet som vist. Låseanordningen (27) aktiveres automatisk.
- ◆ Opbevar apparatet på et tørt sted. Apparatet kan bæres i håndtaget til beholderen (2).
- ◆ Hvis du vil tage røret af apparatet til brug, skal du trykke på grebet på låseanordningen (27) bag på røret og trække røret væk fra enheden og løfte røret og mundstykket ud af parkeringshulleme.

Vedligeholdelse

Dit Black & Decker-værktøj er beregnet til at være i drift gennem en længere periode med minimal vedligeholdelse. Forsat tilfredsstillende drift afhænger af korrekt behandling af værktøjet samt regelmæssig rengøring.

Rengøring af filteret

Apparatet er udstyret med en filterrengøringsfunktion.

- ◆ Sluk for apparatet efter brug, men undlad at tage stikket ud af stikkontakten.
- ◆ Sørg for, at beholderen sidder godt fast.
- ◆ Tryk på filterrengøringskontakten (3). Filterrengøringen kører i 10 sekunder og slukkes derefter automatisk. I løbet af de 10 sekunder renses det automatiske rengøringsssystem filteret.
- ◆ Stikket kan derefter tages ud af stikkontakten.

Dette sikrer optimal ydeevne, næste gang apparatet bruges.

Bemærk: Apparatet er designet til at forhindre støvsugning under filterrengøringen. Hvis der tændes for støvsugeren under filterrengøringen, stopper rengøringen.

Advarsel! Tag apparatet ud af stikkontakten, før der udføres nogen form for vedligeholdelse eller rengøring.

- ◆ Rengør regelmæssigt apparatets ventilationshuller med en blød børste eller en tør klud.
- ◆ Rens regelmæssigt motorhuset med en fugtig klud. Der må ikke bruges skuremidler eller opløsningsmidler.

VN2200 - Rengøring af turbørsten (fig. G)

- ◆ Fjern alle hår eller tråde, der har samlet sig i børsten (28).

Brug om nødvendigt en saks.

- ◆ Afmonter hatten (29) for at fjerne fremmedlegemer, der blokerer luftturbinen (30). Monter hatten igen.

Tømning af beholderen (fig. H og I)

Beholderen (9) skal tømmes, når støvet når op til maksimummærket på spanden.

- ◆ Afmonter beholderen (9) fra apparatet ved at trykke på de udløserknapper (31) og løfte beholderen ud af apparatet.
- ◆ Tryk på den nederste udløserknap til dækslet (32) for at frigøre støvet.
- ◆ Tøm beholderen efter behov.
- ◆ Rengør filteret som beskrevet nedenfor.
- ◆ Luk det nederste dæksel, og sørg for, at det klikker på plads.
- ◆ Monter beholderen igen (9) på apparatet, og sørg for, at udløserknapperne (31) klikker på plads.
- ◆ Tryk på filterrengøringskontakten (3). Filterrengøringen kører i 10 sekunder og slukkes derefter automatisk. Dette sikrer optimal ydeevne, næste gang apparatet bruges.

Rengøring

Advarsel! Før der udføres rengøring og vedligeholdelse, skal værktøjet slukkes og stikket trækkes ud.

- ◆ Aftør regelmæssigt apparatet med en fugtig klud. Der må ikke bruges skuremidler eller opløsningsmidler. Apparatet må ikke nedsænkes i væsker.

Rengøring af beholderfiltrene (fig. H - K)

Beholderfiltrene forhindrer, at støv og snavs trænger ind i motorhuset. Filtrene er genanvendelige og skal rengøres jævnligt.

- ◆ Demonter beholderen fra apparatet (fig. H).
- ◆ Tryk på den nederste udløserknap til dækslet (32) for at frigøre det nederste dæksel (fig. I).
- ◆ Tag forfilteret (33) ud af beholderen (9) (fig. J) ved at dreje det mod uret.
- ◆ Træk filteret (34) af filterholderen (fig. K).

Advarsel! Der må ikke bruges børster eller trykluft til rengøring af filteret.

- ◆ Rengør ydersiden af filteret med vand, afhængigt af dets tilstand. Lad filteret tørre i 24 timer, før det sættes i igen.

Advarsel! Undlad at vaske indersiden af filteret.

- ◆ Sæt filteret i igen.
- ◆ Monter forfilteret igen.
- ◆ Luk det nederste dæksel.
- ◆ Sæt beholderen i apparatet igen.

Rengøring af motorfilteret (fig. H og L)

Motorfilteret (35) forhindrer, at partikler og større genstande kommer ind i motorhuset, når beholderen er fjernet.

Filteret (35) kan bruges igen og skal rengøres regelmæssigt.

- ◆ Demonter beholderen fra apparatet (fig. H).
- ◆ Tag filteret (35) ud (fig. L).
- ◆ Børst løstsiddende støv af filteret.
- ◆ Sæt filteret i igen (35).
- ◆ Sæt beholderen i apparatet igen.

Udskiftning af filtrene

Hvis beholderfilteret (34) er beskadiget eller ikke fungerer korrekt, skal det udskiftes. Udskiftningsfiltre fås hos Black & Decker-forhandleren (katalognr. VLF50):

Udskiftning af beholderfilteret

- ◆ Benyt ovenstående fremgangsmåde for at udskifte filteret (34).

Udskiftning af udgangsfilteret (fig. M og N)

Apparatet er monteret med et filter, der er beregnet til at holde i hele dets levetid, men hvis det er nødvendigt, kan det udskiftes på følgende måde:

- ◆ Fjern de to skruer (36).
- ◆ Fjern dækslet (37) ved at benytte et værktøj til at løfte dækslet op.
- ◆ Fjern det gamle filter (38) ved at trække det ud.
- ◆ Indsæt det nye filter som vist.
- ◆ Monter dækslet igen ved hjælp af de to skruer (36).

Udskiftning af netstik (kun Storbritannien og Irland)

Sådan monteres et nyt netstik:

- ◆ Det gamle stik skal bortskaffes på en sikker måde.
- ◆ Slut den brune ledning til den strømførende klemme på det nye stik.
- ◆ Slut den blå ledning til den neutrale klemme.

Advarsel! Der skal ikke foretages nogen tilslutning til jordklemmen. Følg de monteringsanvisninger, der leveres sammen med kvalitetsstik. Anbefalet sikring: 5 A.

Miljø

Når dit værktøj er udtjent, eller du ikke længere har brug for det, beskyt da naturen ved ikke at smide det ud sammen med det almindelige affald. Black & Decker-værksteder modtager gammelt Black & Decker-værktøj og sørger for, at det bortskaffes på en miljørigtig måde.



Ved adskilt bortskaffelse af brugte produkter og emballage bliver der mulighed for at genanvende forskellige stoffer. Genanvendelse af stoffer medvirker til at forebygge miljøforurening og mindsker behovet for råstoffer.

Lokal lovgivning kan kræve separat indsamling af elprodukter fra husholdningen, ved kommunale affaldsdepoter eller af den detailhandlende ved køb af et nyt produkt.

Black & Decker sørger for at indsamle og genanvende Black & Decker-produkter, når disse ikke længere kan bruges. Hvis du vil benytte dig af denne service, skal du returnere produktet til et autoriseret værksted, der indsamler produkterne for os.

Kontakt det lokale Black & Decker-kontor på den adresse, som er opgivet i denne vejledning, for at få oplysninger om det nærmeste autoriserede værksted. En liste over alle autoriserede Black & Decker-serviceværksteder samt servicevilkår og kontaktpersoner er tilgængelig på internettet på adressen: www.2helpU.com.

Tekniske data

	VN1800	VN2000	VN2010	VN2200
Spænding	VAC 230	230	230	230
(Australien og New Zealand)	VAC 240			
Motoreffekt	W 1800	2000	2000	2200
Kabellængde	m. 6	7	7	8
Beholderstørrelse	l 2,5	2,5	2,5	2,5
Vægt	kg 9,1	9,6	9,6	9,7

EU overensstemmelseserklæring

VN1800/VN2000/VN2010/VN2200

Black & Decker erklærer, at disse produkter er i overensstemmelse med følgende:

89/336/EØF, 73/23/EØF EN 55014, EN 61000, EN 60335, EN 61000-3-11

Lydtrykniveau, målt i

overensstemmelse med EN 60704-1: = 73 dB(A)



Kevin Hewitt
 Director of Consumer Engineering
 Spennymoor, County Durham
 DL16 6JG,
 Storbritannien
 01-08-2006

Garanti

Black & Decker garanterer, at produktet er frit for materielle skader og/eller fabrikationsfejl ved levering til kunden. Garantien er et tillæg til forbrugers lovsikrede rettigheder og påvirker ikke disse. Garantien gælder inden for medlemsstaterne af den Europæiske Union og i det Europæiske Frihandelsområde.

Hvis et Black & Decker-produkt går i stykker på grund af materiel skade og/eller fabrikationsfejl eller på anden måde ikke fungerer i overensstemmelse med specifikationen inden for 24 måneder fra købsdatoen, påtager Black & Decker sig at reparere eller ombytte produktet med mindst mulig ulempe for kunden. Garantien gælder ikke for fejl og mangler, der er sket i forbindelse med:

- ◆ normal slitage
- ◆ uheldige følger efter unormal anvendelse af værktøjet
- ◆ overbelastning, hærværk eller overdrevent intensiv brug af værktøjet eller ulykkehændelse

- ◆ Garantien gælder ikke, hvis reparationer er udført af nogen anden end et autoriseret Black & Decker-værksted.

For at udnytte garantien skal produktet og købskvitteringen indleveres til forhandleren eller til et autoriseret værksted. Kontakt det lokale Black & Decker-kontor på den adresse, som er opgivet i denne vejledning, for at få oplysninger om det nærmeste autoriserede værksted. En liste over alle autoriserede Black & Decker-serviceværksteder samt servicevilkår er tilgængelig på internettet på adressen:

www.2helpU.com

Gå venligst ind på vores website www.blackanddecker.dk for at registrere dit nye produkt og for at blive holdt ajour om nye produkter og specialtilbud. Der findes yderligere oplysninger om mærket Black & Decker og vores produktsortiment på adressen www.blackanddecker.dk.

Käyttötarkoitus

Black & Deckerin pölynimuri on suunniteltu kuivaan imurointiin. Tuote on tarkoitettu ainoastaan kotikäyttöön.

Turvallisuusohjeet

Varoitus! Sähkölaitteita käytettäessä on aina noudatettava asianmukaisia turvaohjeita, jotta tulipalojen, sähköiskujen, henkilövahinkojen ja materiaalivaurioiden riski olisi mahdollisimman pieni.

- ◆ Lue nämä ohjeet huolellisesti ennen laitteen käyttöä.
- ◆ Käyttötarkoitus kuvataan ohjeissa. Muiden kuin ohjeissa suositeltujen lisävarusteiden tai -osien käyttö sekä laitteen käyttö muuhun kuin oppaassa suositeltuun tarkoitukseen voi aiheuttaa henkilövahingon vaaran.
- ◆ Säilytä ohjeet tulevaa tarvetta varten.

Laitteen käyttö

- ◆ Varmista, että laite on sammutettu, ennen kuin kytket sen irti verkkovirrasta tai verkkovirtaan.
- ◆ Ole aina huolellinen käyttäessäsi laitetta.
- ◆ Älä käytä laitetta ulkona.
- ◆ Älä koskaan irrota pistoketta pistorasiasta vetämällä johdosta. Suojaa johto kuumuudelta, öljyltä ja teräviltä reunoilta.
- ◆ Jos virtajohto vahingoittuu käytön aikana, kytket se välittömästi irti virtalähteestä. Älä kosketa johtoa ennen kuin olet irrottanut sen virtalähteestä.
- ◆ Jos et käytä laitetta, kytket se irti virtalähteestä ennen osien asentamista tai irrottamista ja ennen puhdistusta.

Muiden turvallisuus

- ◆ Älä anna lasten tai kenenkään, joka ei ole lukenut tätä käyttöohjetta tai tutustunut laitteeseen, käyttää sitä.
- ◆ Älä anna lasten tai eläinten tulla lähelle työskentelyaluetta tai koskea laitteeseen tai sähköjohtoon. Jos laitetta käytetään lasten läheisyydessä, on oltava tarkkaavainen.

Käytön jälkeen

- ◆ Sammuta laite ja vedä pistoke irti pistorasiasta, ennen kuin jätät sen ilman valvontaa, ja ennen sen osien vaihtamista, puhdistamista tai tarkastamista.
- ◆ Kun laitetta ei käytetä, se on säilytettävä kuivassa paikassa. Pidä laite lasten ulottumattomissa.

Tarkastus ja korjaus

- ◆ Tarkista ennen laitteen käyttöä, ettei laitteessa ole vahingoittuneita tai viallisia osia. Tarkista osien ja kytkimien kunto sekä muut seikat, jotka voivat vaikuttaa laitteen toimintaan.
- ◆ Älä käytä laitetta, jos jokin osa on vahingoittunut tai viallinen.
- ◆ Korjauta tai vaihdata vaurioituneet tai vialliset osat valtuutetussa huoltoliikkeessä.

- ◆ Tarkista ennen käyttöä, että sähköjohto ei ole vaurioitunut, vanhentunut tai kulunut.
- ◆ Älä käytä laitetta, jos virtajohto tai pistoke on vahingoittunut tai viallinen.
- ◆ Jos virtajohto on vaurioitunut tai viallinen, se voidaan korjata vain valtuutetussa Black & Deckerin huoltoliikkeessä vaaratilanteiden välttämiseksi. Älä katkaise virtajohtoa äläkä yritä korjata sitä itse.
- ◆ Älä koskaan yritä korjata tai vaihtaa muita kuin ohjeissa erikseen määriteltyjä osia.

Sähköturvallisuus



Tämä laite on kaksoiseristetty; siksi erillistä maadoitusta ei tarvita. Tarkista aina, että virtalähde vastaa arvokilvessä ilmoitettua jännitettä.

Lisäturvaohjeet pölynimureille

- ◆ Varmista aina ennen käyttöä, että suodatin on oikein paikallaan.
- ◆ Älä kanna laitetta säiliön kahvasta.
- ◆ Älä käytä laitetta nesteiden keräämiseen.
- ◆ Älä käytä laitetta syttyvien materiaalien keräämiseen.
- ◆ Älä käytä laitetta veden lähellä. Älä upota laitetta veteen.
- ◆ Pidä moottorin aiheuttama ilmavirta etäällä silmistä ja kasvoista.
- ◆ Kun käytät laitetta, pidä lapset ja eläimet turvallisen matkan päässä siitä.
- ◆ Imuroi portaat aina alhaalta ylöspäin. Pidä laite ainakin yhtä porrasta alempana kuin itse olet.
- ◆ Älä käytä laitetta ilman, että putkeen on asennettu imupää tai muu sopiva tarvike.
- ◆ Pidä hiukset, vaatteet ja käsineet loitolla liikkuvista osista. Älä kosketa pyörivää harjaa. Pidä pyörivä harja pois johdon läheisyydestä.
- ◆ Älä käytä vahingoittuneita tarvikkeita.
- ◆ Käytä vain Black & Deckerin tarvikkeita.

Yleiskuvaus

Tässä laitteessa on kaikki tai joitakin seuraavista ominaisuuksista.

1. Letku
2. Säiliön kahva
3. Suodattimen puhdistuskytkin
4. Virrankatkaisija
5. Kahva
6. Johdon kelauspainike
7. Imupää
8. Pyörät
9. Säiliö
10. Jatkoputki
11. Ilmavirtauksen säätökytkin

Lisäksi tämä laite on varustettu joillakin tai kaikilla seuraavista lisätarvikkeista (kuva A):

12. Litteä suulake
13. Harjasuulake
14. Parketin imupää (VN2010 / VN2200)
15. Turbo-harja (VN2200)

Parketin imupää ei sisällä kaikkiin malleihin. Tätä lisävarustetta myyvät Black & Decker -tuotteiden jälleenmyyjät / palvelukeskukset (tuoteno VW100).

Turbo-harja ei sisällä kaikkiin malleihin. Tätä lisävarustetta myyvät Black & Decker -tuotteiden jälleenmyyjät / palvelukeskukset (tuoteno VW200).

Kokoaminen

Letkun kytkeminen (kuva A)

- ◆ Työnnä letkuliitin (16) laitteeseen liitäntäaukoon (17).
- ◆ Aseta letkuliittimen ulokkeet liitäntäaukon kolojen suuntaisesti.
- ◆ Työnnä letkua sisään, kunnes vapautuspainikkeet (18) (2 asentoa) napsahtavat paikoilleen.
- ◆ Irrota letku painamalla vapautuspainikkeita (18) (2 asentoa) ja vetämällä letku ulos.

Jatkoputken asennus (kuva A)

- ◆ Paina lukituspainiketta (19) ja työnnä letkun suutinta (20) putkeen (10), kunnes se napsahtaa paikalleen.
- ◆ Putki irrotetaan painamalla lukituspainiketta (10) ja vetämällä letkun suutin (20) ulos putkesta.

Imupään asentaminen (kuva A)

Imupään (7) avulla voidaan imuroida mattoa ja kovia pintoja (esim. laminaatti- ja laattalattiaa).

- ◆ Paina lukituspainiketta (21) ja työnnä putkea (10) päähän (7), kunnes se napsahtaa paikalleen.
- ◆ Pää (7) irrotetaan painamalla lukituspainiketta (21) ja vetämällä putki (10) ulos päästä.

VN2010/VN2200 - Parketti-imupään asentaminen (kuva A)

Parketti-imupään (14) avulla voidaan imuroida puulattioita ja kiillotettuja pintoja.

- ◆ Paina lukituspainiketta (21) ja työnnä putkea (10) päähän (14), kunnes putki napsahtaa paikalleen.
- ◆ Pää (14) irrotetaan painamalla lukituspainiketta (21) ja vetämällä putki (10) ulos päästä.

VN2200 - Turbo-harjan asentaminen (kuva A)

Turbo-harjan (15) avulla voidaan imuroida karvalankamattoja.

Harja on erityisen hyödyllinen imuroitaessa karvoja, lankoja jne. ja siistittäessä karvalankamattoja, joiden langat ovat purkautuneet.

- ◆ Paina lukituspainiketta (21) ja työnnä putkea (10) päähän (15), kunnes se napsahtaa paikalleen.
- ◆ Pää (15) irrotetaan painamalla lukituspainiketta (21) ja vetämällä putki (10) ulos päästä.

Tarvikkeiden asentaminen (kuva A)

Rakosuulakkeen (12) avulla voit imuroida kapeita ja vaikeapääsyisiä paikkoja. Harjasuulakkeen (13) avulla taas voit imuroida huonekaluja, sälekahtimia, verhoja, ikkunoita ja portaita. Suulakkeet voidaan asentaa sekä letkuun (1) että putkeen (10).

- ◆ Paina lukituspainiketta (19 tai 21) ja työnnä suulake letkun suuttimeen (20) tai putkeen (10).
- ◆ Irrota suulake painamalla lukituspainiketta (19 tai 21) ja vetämällä se irti.

Kun suulakkeet eivät ole käytössä, ne voidaan säilyttää tarvikkepidikkeessä (22). Tarvikkepidike löytyy letkun suuttimesta. Se asetetaan napsauttamalla paikalleen ja irrotetaan vetämällä irti letkun suuttimesta. Suulakkeet säilytetään kuvassa A näkyvällä tavalla.

Käyttö

Johdon ulosvetäminen ja takaisin kelaaminen

Johdon kelauspainiketta (6) voidaan käyttää kädellä tai jalalla.

- ◆ Vedä riittävä määrä johtoa ulos koneen takaa ennen käyttöä.
- ◆ Kelaajaa johtoa takaisin sisään käytön jälkeen painamalla johdon kelauspainiketta (6). Ohjaa johtoa käsin, ettei se heilahda takaisin. Varmista, että pistoke asettuu oikein.

Putken pituuden säätö (kuva B)

Jatkoputki (10) koostuu kolmesta osasta.

- ◆ Voit pidentää keskimmäistä ja alimmaista osaa painalla alemmaa säätöpainiketta (23) ja vetämällä putkea ulospäin kunnes se loksahtaa paikoilleen.
- ◆ Kahdessa ylemmässä osassa on 11 säätöä. Paina ylempää säätöpainiketta (24) ja vedä putki haluttuun pituuteen. Varmista, että putki napsahtaa paikalleen.

Imupään säätäminen (kuva A)

- ◆ Kun imuroit mattoja, kytkä lattiapinnan valitsin (25) yläasentoon.
- ◆ Kun imuroit laminaattilattiaa, laattalattiaa jne., kytkä lattiapinnan valitsin ala-asentoon.

Käynnistys ja pysäytys

- ◆ Virtakytkintä (4) voidaan käyttää kädellä tai jalalla.
- ◆ Kytkä laite päälle painamalla virtakytkintä (4).
- ◆ Sammuta laite painamalla virtakytkintä (4) uudelleen.

Ilmavirtauksen säätäminen (kuva B)

- ◆ Säädä ilmavirtausta haluamallasi tavalla kääntämällä ilmavirtauksen säädintä (11). Max- ja min-asennot ovat näkyvillä.

Imuroiminen

- ◆ Varmista laitetta käyttäessä, ettei letku jää jumiin, kierry tai tukkeudu.
- ◆ Jos laite ylikuumentuu, automaattinen virrankatkaisuautoiminto pysäyttää laitteen toiminnan.
- ◆ Jos laitteen toiminta lakkaa, irrota virtajohto ja anna laitteen jäähtyä ainakin 2-3 tuntia.

Vinkkejä parhaimman tuloksen saamiseksi

- ◆ Kun työskentelet ahtaissa tiloissa, irrota tarvikepidike väliaikaisesti putkesta, jotta työskentelylle tulee lisää tilaa.
- ◆ Kun imuroit portaita, aloita alhaalta ja etene ylöspäin. Sijoita laite lattialle ja imuroi portaat puoliväliin asti. Kanna laite sitten vakaaseen kohtaan, joka on ainakin yhden askelman työpistettä alempana, ja imuroi sitten loput portaat.

VN2200 - Turbo-harjan käyttäminen (kuva A)

- ◆ Tarkista, että nopeuden säädin on säädetty suurimmalle teholle. Liikuta harjan päällä olevaa säädintä tarpeen mukaan optimoidaksesi imutehon.
- ◆ Liikuta harjaa vakaasti edestakaisin. Älä pidä harjaa pitkään samassa kohdassa, koska tällöin pinta voi vahingoittua.

Laitteen kantaminen (kuva C)

Laitetta voidaan kantaa kahvasta (5) käytön aikana.

- ◆ Kallista kahva oikeaan asentoon kuvan osoittamalla tavalla.

Imupään pysäköiminen väliaikaisesti (kuva D)

- ◆ Käytä pysäköintiasentoa, kun haluat pysäköidä imupään väliaikaisesti.

Laitteen säilytys (kuvat E ja F)

Varoitus! Kun varastoit laitteen, kytkä se pois päältä ja irrota sen virtajohto.

- ◆ Varmista, että johto on kelattu kokonaan sisään.
- ◆ Aseta laite pystyasentoon.
- ◆ Kääri letku laitteen ympärille.
- ◆ Aseta imupään koukku (26) laitteessa olevaan syvennykseen.
- ◆ Työnnä putkea kunnes lukituslaite (27) asettuu laitteen oikeaan syvennykseen, kuten kuvassa. Lukituslaite (27) kiinnittyy automaattisesti.
- ◆ Säilytä laite kuivassa paikassa. Laitetta voi kantaa siinä olevasta säiliön kahvasta (2).
- ◆ Voit irrottaa putken laitteesta painamalla putken takana olevaa lukituslaitteen vipua, vetämällä putken irti ja nostamalla putken ja pään pysäköinturiasta.

Huolto

Black & Decker -työkalu on suunniteltu toimimaan mahdollisimman pitkän aikaa mahdollisimman vähällä huollolla. Oikealla huollolla ja säännöllisellä puhdistuksella kone säilyttää suorituskykynsä.

Suodattimen puhdistaminen

Laitteessa on suodattimen puhdistustoiminto.

- ◆ Kytkä laite pois päältä joka käyttökerran jälkeen, mutta älä kytkä sitä irti verkkovirrasta.
- ◆ Varmista, että säiliö on hyvin paikallaan.
- ◆ Paina suodattimen puhdistuskytkintä (3). Suodattimen puhdistus kestää noin 10 sekuntia, jonka jälkeen se lakkaa automaattisesti. Automaattinen puhdistusjärjestelmä puhdistaa suodattimen näiden 10 sekunnin aikana.
- ◆ Tämän jälkeen pistokkeen voi irrottaa pistorasiasta.

Puhdistuksen avulla varmistat, että laitteen käyttöteho on seuraavallakin kerralla paras mahdollinen.

Huomautus: Laitteella ei voi samanaikaisesti imuroida ja puhdistaa suodatinta. Jos imuri käynnistetään suodattimen puhdistuksen ollessa käynnissä, suodattimen puhdistus keskeytyy.

Varoitus! Ennen huoltoa ja puhdistusta laitteen tulee olla pois päältä ja irti virtalähteestä.

- ◆ Puhdista laitteen ilma-aukot säännöllisesti pehmeällä harjalla tai kuivalla rievulla.
- ◆ Puhdista moottorin kotelo säännöllisesti kostealla rätillä. Älä koskaan käytä puhdistamiseen liuotainaineita tai syövyttäviä puhdistusaineita.

VN2200 - Turbo-harjan puhdistaminen (kuva G)

- ◆ Poista kaikki harjassa (28) kiinni olevat karvat ja langat.

Käytä tarvittaessa saksia.

- ◆ Irrota suojus (29) ja poista kaikki vieraat esineet, jotka tukkivat ilmaturbiiniin (30). Aseta kansi takaisin.

Säiliön tyhjentäminen (kuvat H ja I)

Säiliö (9) on tyhjennettävä, kun se täyttyy merkittyyn enimmäisrajaan asti.

- ◆ Irrota säiliö (9) laitteesta painamalla kahta vapautuspainiketta (31) ja nostamalla se ulos.
- ◆ Poista roskat painamalla kannen salpaa (32).
- ◆ Tyhjennä säiliö vaaditulla tavalla.
- ◆ Puhdista suodatin alla kuvatulla tavalla.
- ◆ Sulje kansi ja varmista, että se napsahtaa paikalleen.
- ◆ Aseta säiliö paikalleen laitteeseen ja varmista, että vapautuspainikkeet napsahtavat paikoilleen.
- ◆ Paina suodattimen puhdistuskytkintä (3). Suodattimen puhdistus kestää noin 10 sekuntia, jonka jälkeen se lakkaa automaattisesti. Puhdistuksen avulla varmistat, että laitteen käyttöteho on seuraavallakin kerralla paras mahdollinen.

Puhdistaminen

Varoitus! Ennen huoltoa ja puhdistusta laite pitää sammuttaa ja kytkä irti virtalähteestä.

- ◆ Pyyhi laite säännöllisesti kostealla rätillä. Älä koskaan käytä puhdistamiseen liuotainaineita tai syövyttäviä puhdistusaineita. Älä upota laitetta veteen.

Säiliön suodattimen puhdistaminen (kuvat H–K)

Säiliön suodatin estää pölyn ja lian pääsyn moottorin koteloon. Suodattimia voi käyttää useaan kertaan, ja ne on puhdistettava saannollisesti.

- ◆ Irrota säiliö laitteesta (kuva H).
- ◆ Avaa kansi painamalla sen salpaa (32) (kuva I).
- ◆ Irrota esisuodatin (33) laitteesta (9) (kuva J) pyörittämällä vastapäivään.
- ◆ Vedä suodatin (34) irti suodatinpidikkeestä (kuva K).

Varoitus! Älä puhdista suodatinta harjaamalla tai paineilmalla.

- ◆ Huuhtelee suodattimen ukopuoli vedellä, jos se on tarpeen. Anna suodattimen kuivua 24 tuntia ennen kuin asetat sen takaisin.

Varoitus! Älä pese suodattimen sisäpuolta.

- ◆ Aseta suodatin takaisin paikalleen.
- ◆ Asenna esisuodatin uudelleen.
- ◆ Sulje säiliön kansi.
- ◆ Aseta säiliö takaisin laitteeseen.

Moottorin suodattimen puhdistaminen (kuvat H ja L)

Moottorin suodatin (35) estää hiukkasten ja suurten esineiden pääsyn moottorin koteloon, kun säiliö irrotetaan. Suodatinta (35) voi käyttää useita kertoja, ja se on puhdistettava säännöllisesti.

- ◆ Irrota säiliö laitteesta (kuva H).
- ◆ Ota suodatin (35) ulos (kuva L).
- ◆ Harjaa irtopöly pois suodattimesta.
- ◆ Aseta suodatin (35) takaisin paikoilleen.
- ◆ Aseta säiliö takaisin laitteeseen.

Suodattimien vaihtaminen

Jos säiliön suodatin on vaurioitunut tai se ei toimi oikein, se on vaihdettava. Uusia suodattimia voi ostaa Black & Decker tuotteiden jälleenmyyjiltä (tuotenro VLF50).

Säiliön suodattimen vaihtaminen

- ◆ Vaihda suodatin (34) yllä annetun ohjeen mukaisesti.

Poistoilman suodattimen vaihtaminen (kuvat M ja N)

Laitteen suodattimen on tarkoitus koko käyttöiän. Jos se on kuitenkin vaihdettava, toimi seuraavalla tavalla:

- ◆ Irrota kaksi ruuvia (36).
- ◆ Nosta kansi (37) irti työkalun avulla.
- ◆ Poista vanha suodatin (38) vetämällä se ulos.
- ◆ Asenna uusi suodatin kuvan osoittamalla tavalla.
- ◆ Kiinnitä kansi takaisin paikalleen kahdella ruuvilla (36).

Varaverkkopistoke (vain Iso-Britannia ja Irlanti)

Jos joudut vaihtamaan verkkopistokkeen:

- ◆ Hävitä vanha pistoke ympäristöystävällisesti.
- ◆ Liitä ruskea johto uuden pistokkeen jännitteeseen napaan.
- ◆ Liitä sininen johto tähtipisteliitimeen.

Varoitus! Maadoitusliittimeen ei liitetä johtoa. Noudata pistokkeen mukana toimitettuja kiinnitysohjeita. Suositeltava sulake: 5 A.

Ympäristö

Kun työkalusi aikanaan täytyy vaihtaa tai ei kelpaa enää käyttöön, ota huomioon ympäristötékijät. Black & Deckerin valtuutetut huoltoliikkeet ottavat vastaan Black & Decker -työkaluja ja varmistavat, että ne hävitetään ympäristöystävällisesti.



Käytettyjen tuotteiden ja pakkausmateriaalien erilliskeruu avulla materiaalit voidaan kierrättää ja käyttää uudelleen. Kierrätysmateriaalien käyttö auttaa vähentämään ympäristön saastumista ja uusien raaka-aineiden tarvetta.

Paikallisissa säädöksissä voidaan määrätä, että kodin sähkötuotteiden keruu tapahtuu kaupunkien jätteidenkäsittelyasemilla tai laitteita myyvissä liikkeissä uuden tuotteen oston yhteydessä.

Kun koneesi on käytetty loppuun, älä heitä sitä tavallisten roskien mukana pois, vaan vie se paikkakuntasi kierrätyskeskukseen tai jätä valtuutettuun Black & Deckerin huoltoliikkeeseen.

Tiedot valtuutetuista huoltoliikkeistä saa ottamalla yhteyttä Black & Decker Oy:hyn sekä Internetistä osoitteesta

www.2helpU.com.

Tekniset tiedot

	VN1800	VN2000	VN2010	VN2200
Jännite	Vac 230	230	230	230
(Australia ja Uusi-Seelanti) Imuri	240			
Ottoteho	W 1800	2000	2000	2200
Kaapelin pituus	m 6	7	7	8
Säiliön koko	l 2.5	2.5	2.5	2.5
Paino	kg 9.1	9.6	9.6	9.7

EU:n yhdenmukaisuusilmoitus

VN1800/VN2000/VN2010/VN2200

Black & Decker vakuuttaa näiden tuotteiden olevan seuraavien standardien vaatimusten mukaiset:

89/336/EEC, 73/23/EEC, EN 55014, EN 61000, EN 60335, EN 61000-3-11

Äänenpainetaso mitattuna

EN 60704-1:n mukaisesti: = 73 dB(A)



Kevin Hewitt
 Director of Consumer Engineering
 Spennymoor, County Durham
 DL16 6JG,
 Iso-Britannia
 01-08-2006

Takuu

Black & Decker Oy takaa, ettei koneessa ollut materiaali- ja/ tai valmistusvikaa silloin, kun se toimitettiin ostajalle. Takuu on lisäys kuluttajan laillisiin oikeuksiin eikä vaikuta niihin.

Takuu on voimassa Euroopan unionin jäsenmaissa ja Euroopan vapaakauppa-alueella (EFTA).

Mikäli Black & Decker -kone hajoaa materiaali- ja/ tai valmistusvirheen tai teknisten tietojen epätarkkuuden vuoksi 24 kk:n kuluessa ostopäivästä, Black & Decker korjaa koneen ilman kustannuksia ostajalle tai vaihtaa sen mukaan Black & Decker Oy:n valinnan mukaan. Takuu ei kata vikoja, jotka johtuvat koneen

- ◆ normaalista kulumisesta
- ◆ ylikuormituksesta, virheellisestä käytöstä tai hoidosta

- ◆ vahingoittamisesta vieraalla esineellä tai aineella tai onnettomuustapauksessa.
- ◆ Takuu ei ole voimassa, mikäli konetta on korjannut joku muu kuin Black & Deckerin valtuuttama huoltoliike.

Edellytyksenä takuun saamiselle on, että ostaja jättää koneen ja ostokuitin jälleenmyyjälle tai valtuutetulle huoltoliikkeelle viimeistään 2 kuukauden kuluessa vian ilmenemisestä. Tiedot valtuutetuista huoltoliikkeistä saa ottamalla yhteyttä Black & Decker Oy:hyn sekä Internetistä osoitteesta

www.2helpU.com, jossa on myös takuehdot.

Voit vierailla verkkosivuillamme www.blackanddecker.fi

rekisteröidäksesi uuden Black & Decker -tuotteesi ja saadaksesi tietoa uusista tuotteista ja erikoistarjouksista. Saat lisätietoja Black & Deckerin tavaramerkistä ja tuotevalikoimastamme osoitteesta

www.blackanddecker.fi.

Ενδειγμένη χρήση

Η ηλεκτρική σκούπα Black & Decker έχει σχεδιαστεί για το σκούπισμα στεγνών ουσιών. Αυτό το προϊόν προορίζεται για οικιακή χρήση μόνο.

Οδηγίες ασφαλείας

Προειδοποίηση! Κατά τη χρήση συσκευών που τροφοδοτούνται με ηλεκτρικό ρεύμα, θα πρέπει να λαμβάνονται οι βασικές προφυλάξεις ασφαλείας, συμπεριλαμβανομένων των παρακάτω, για τον περιορισμό του κινδύνου πυρκαγιάς, ηλεκτροπληξίας, τραυματισμού προσώπων και υλικών ζημιών.

- Πριν χρησιμοποιήσετε τη συσκευή διαβάστε προσεκτικά ολόκληρο το εγχειρίδιο.
- Η ενδειγμένη χρήση περιγράφεται σε αυτό το εγχειρίδιο. Τόσο η χρήση εξαρτημάτων ή προσθηκών όσο και η πραγματοποίηση εργασιών με τη συσκευή που δεν συνιστώνται σε αυτό το εγχειρίδιο οδηγούν εγκυμονεί κίνδυνο τραυματισμού.
- Φυλάξτε αυτό το εγχειρίδιο για μελλοντική αναφορά.

Χρησιμοποίηση της συσκευής

- Βεβαιωθείτε ότι η συσκευή είναι απενεργοποιημένη πριν τη συνδέσετε ή την αποσυνδέσετε από την παροχή ηλεκτρικού ρεύματος.
- Προσέχετε πάντα όταν χρησιμοποιείτε τη συσκευή.
- Μην χρησιμοποιείτε τη συσκευή στο ύπαιθρο.
- Ποτέ μην αποσυνδέετε τη συσκευή από την πρίζα τραβώντας το καλώδιό της. Διατηρείτε το καλώδιο τροφοδοσίας σε απόσταση από πηγές θερμότητας, λάδια και κοφτερές αιχμές.
- Εάν το καλώδιο τροφοδοσίας καταστραφεί κατά τη χρήση, αποσυνδέστε αμέσως τη συσκευή από την πρίζα. Μην αγγίζετε το καλώδιο τροφοδοσίας πριν αφαιρέσετε το φως από την πρίζα.
- Να αποσυνδέετε τη συσκευή από την πρίζα όταν δεν χρησιμοποιείται, πριν τοποθετήσετε ή αφαιρέσετε εξαρτήματα και πριν την καθαρίσετε.

Ασφάλεια τρίτων

- Μην επιτρέπετε σε μικρά παιδιά ή σε άτομα που δεν έχουν διαβάσει το εγχειρίδιο οδηγιών ή που δεν έχουν εξοικειωθεί με τη συσκευή να τη χρησιμοποιήσουν.

- Μην επιτρέπετε σε παιδιά ή ζώα να πλησιάσουν στο χώρο εργασίας ή να αγγίζουν τη συσκευή ή το καλώδιο τροφοδοσίας. Όταν η συσκευή χρησιμοποιείται κοντά σε παιδιά είναι απαραίτητη η στενή επιτήρηση.

Μετά τη χρήση

- Πριν αφήσετε τη συσκευή χωρίς επιτήρηση και πριν αλλάξετε, καθαρίσετε, επιθεωρήσετε οποιαδήποτε τμήματά της, πρέπει πρώτα να τη θέσετε εκτός λειτουργίας και να αποσυνδέσετε το φως από την πρίζα.
- Όταν δεν χρησιμοποιείται, η συσκευή πρέπει να φυλάσσεται σε στεγνό μέρος. Τα παιδιά δεν πρέπει να έχουν πρόσβαση σε αποθηκευμένες συσκευές.

Επιθεώρηση και επισκευές

- Πριν από τη χρήση, ελέγξτε τη συσκευή σας για τυχόν κατεστραμμένα ή ελαττωματικά τμήματα. Ελέγξτε αν υπάρχουν σπασμένα εξαρτήματα, ζημιά στους διακόπτες και οποιοσδήποτε άλλες συνθήκες που θα μπορούσαν να επηρεάσουν τη λειτουργία της.
- Μην χρησιμοποιείτε τη συσκευή, αν κάποιο εξάρτημά της παρουσιάζει ζημιά ή ελάττωμα.
- Φροντίστε να γίνει η επισκευή ή η αντικατάσταση των τυχόν ελαττωματικών εξαρτημάτων από εξουσιοδοτημένο κέντρο επισκευών.
- Πριν από τη χρήση, ελέγξτε προσεκτικά το καλώδιο τροφοδοσίας για σημάδια ζημιάς, παλαιώσης ή φθοράς.
- Μην χρησιμοποιείτε τη συσκευή εάν το καλώδιο τροφοδοσίας ή το φως έχει πάθει ζημιά ή παρουσιάζει ελάττωμα.
- Εάν το καλώδιο τροφοδοσίας ή το φως είναι κατεστραμμένο ή ελαττωματικό, πρέπει να επισκευαστεί από εξουσιοδοτημένο αντιπρόσωπο επισκευής ώστε να μην προκύψει κίνδυνος. Μην κόβετε το καλώδιο τροφοδοσίας και μην προσπαθείτε να το επισκευάσετε μόνοι σας.
- Ποτέ μην επιχειρείτε να αφαιρέσετε ή να αντικαταστήσετε εξαρτήματα, άλλα από αυτά που προσδιορίζονται σε αυτό το εγχειρίδιο.

Ασφαλής χρήση του ηλεκτρικού ρεύματος

Αυτό το εργαλείο φέρει διπλή μόνωση, επομένως δεν απαιτείται σύρμα γείωσης. Ελέγχετε πάντοτε αν η τάση τροφοδοσίας αντιστοιχεί σε αυτήν που αναγράφεται στην πινακίδα στοιχείων του εργαλείου.

Συμπληρωματικές οδηγίες ασφαλείας για τις ηλεκτρικές σκούπες

- ♦ Πριν από τη χρήση, να βεβαιώνετε πάντα ότι το φίλτρο είναι σωστά τοποθετημένο.
- ♦ Μη μεταφέρετε τη συσκευή από τη λαβή του περιέκτη.
- ♦ Μη χρησιμοποιείτε τη συσκευή για να μαζέψετε νερά.
- ♦ Μη χρησιμοποιείτε τη συσκευή για να περισυλλέξετε υλικά που θα μπορούσαν να πιάσουν φωτιά.
- ♦ Μη χρησιμοποιείτε τη συσκευή κοντά σε νερό. Μη βυθίζετε τη συσκευή μέσα σε νερό.
- ♦ Διατηρείτε το ρεύμα αέρος του μοτέρ σε απόσταση από τα μάτια και το πρόσωπό σας.
- ♦ Όταν χρησιμοποιείτε αυτή τη συσκευή κρατάτε τα παιδιά και τα ζώα σε απόσταση ασφαλείας.
- ♦ Όταν χρησιμοποιείτε τη συσκευή σε σκάλες, να σκουπίζετε πάντα από τα κάτω προς τα πάνω και να κρατάτε τη συσκευή τουλάχιστον ένα σκαλί κάτω από τη θέση εργασίας σας.
- ♦ Μη χρησιμοποιείτε τη συσκευή χωρίς την κεφαλή αναρρόφησης ή ένα άλλο κατάλληλο εξάρτημα συναρμολογημένο πάνω στο σωλήνα
- ♦ Κρατάτε τα μαλλιά, τα ενδύματα και τα γάντια σας μακριά από τα κινούμενα εξαρτήματα. Μην πλησιάζετε την περιστρεφόμενη βούρτσα. Κρατάτε την περιστρεφόμενη βούρτσα μακριά από το καλώδιο παροχής ρεύματος.
- ♦ Μη χρησιμοποιείτε χαλασμένα αξεσουάρ
- ♦ Χρησιμοποιείτε μόνο αυθεντικά αξεσουάρ Black & Decker.

Χαρακτηριστικά

Η συσκευή αυτή διαθέτει μερικά ή όλα από τα παρακάτω χαρακτηριστικά:

1. Ελαστικός σωλήνας
2. Λαβή περιέκτη
3. Διακόπτης καθαρισμού φίλτρου
4. Διακόπτης on/off
5. Λαβή
6. Κουμπί τυλίγματος καλωδίου
7. Κεφαλή αναρρόφησης
8. Ρόδες
9. Περιέκτης
10. Σωλήνας προέκτασης
11. Διακόπτης ροής αέρα

Επιπλέον, η συσκευή αυτή είναι εφοδιασμένη με μερικά ή όλα τα παρακάτω αξεσουάρ (εικ. Α):

12. Εργαλείο για χαραμάδες
13. Εξάρτημα βούρτσας
14. Κεφαλή καθαρίσματος παρκέ (VN2010 / VN2200)
15. Βούρτσα Turbo (VN2200)

Η κεφαλή για παρκέ δεν συμπεριλαμβάνεται σε όλα τα μοντέλα. Το αξεσουάρ αυτό διατίθεται από τον έμπορο ή το κέντρο εξυπηρέτησης της Black & Decker (κατ. αριθ. WV100).

Η βούρτσα turbo δεν συμπεριλαμβάνεται σε όλα τα μοντέλα. Το αξεσουάρ αυτό διατίθεται από τον έμπορο ή το κέντρο εξυπηρέτησης της Black & Decker (κατ. αριθ. WV100).

Συναρμολόγηση**Σύνδεση του ελαστικού σωλήνα (εικ. Α)**

- ♦ Εισάγετε το σύνδεσμο του ελαστικού σωλήνα (16) μέσα στην υποδοχή (17) της συσκευής.
- ♦ Ευθυγραμμίστε τα γλωσσίδια του συνδέσμου με τις εγκοπές της υποδοχής.
- ♦ Σπρώξτε προς τα μέσα τον ελαστικό σωλήνα μέχρι τα κουμπιά αποδέσμευσης (18) (2 θέσεις) να ασφαλισουν στη θέση τους.
- ♦ Για να αποσυνδέσετε τον ελαστικό σωλήνα, πατήστε τα κουμπιά αποδέσμευσης (18) (2 θέσεις) και τραβήξτε έξω τον ελαστικό σωλήνα.

Τοποθετήστε το σωλήνα προέκτασης (εικ. Α)

- ♦ Πατήστε το κουμπί κλειδώματος (19) και σύρετε το ακροφύσιο του ελαστικού σωλήνα (20) μέσα στον άκαμπτο σωλήνα (10) μέχρι να ασφαλίσει στη θέση του.
- ♦ Για να αφαιρέσετε το σωλήνα (10), πατήστε το κουμπί κλειδώματος και τραβήξτε το ακροφύσιο του ελαστικού σωλήνα έξω από τον άκαμπτο σωλήνα (20).

Τοποθέτηση της κεφαλής αναρρόφησης (εικ. Α)

Η κεφαλή αναρρόφησης (7) επιτρέπει το ηλεκτρικό σκούπισμα σε χαλιά και σκληρές επιφάνειες (π.χ. ελάσματα και κεραμίδια).

- ♦ Πατήστε το κουμπί ασφάλισης (21) και σύρετε το σωλήνα (10) μέσα στην κεφαλή (7) μέχρι να ασφαλίσει στη θέση του.
- ♦ Για να αφαιρέσετε την κεφαλή (7), πατήστε το κουμπί ασφάλισης (21) και τραβήξτε το σωλήνα (10) έξω από την κεφαλή (7).

VN2010/VN2200 – Τοποθέτηση της κεφαλής καθαρισμού παρκέ (εικ. Α)

Η κεφαλή καθαρισμού παρκέ (14) επιτρέπει το ηλεκτρικό σκούπισμα σε ξύλινες και στιλβωμένες επιφάνειες.

- ♦ Πατήστε το κουμπί ασφάλισης (21) και σύρετε το σωλήνα (10) μέσα στην κεφαλή (14) μέχρι να ασφαλίσει στη θέση του.
- ♦ Για να αφαιρέσετε την κεφαλή (14), πατήστε το κουμπί ασφάλισης (21) και τραβήξτε το σωλήνα (10) έξω από την κεφαλή.

VN2200 – Τοποθέτηση της βούρτσας turbo (εικ. Α)

Η βούρτσα turbo (15) επιτρέπει το ηλεκτρικό σκούπισμα των χαλιών με παχύ πέλος.

Η βούρτσα χρησιμεύει ιδιαίτερα για το μάζεμα τριχών, κλωστών κτλ., καθώς επίσης για το φρεσκάρισμα ποδοπατημένων χαλιών.

- ♦ Πατήστε το κουμπί κλειδώματος (21) και σύρετε το σωλήνα (10) μέσα στην κεφαλή (15) μέχρι να ασφαλίσει στη θέση του.
- ♦ Για να αφαιρέσετε την κεφαλή (15), πατήστε το κουμπί ασφάλισης (21) και τραβήξτε το σωλήνα (10) έξω από την κεφαλή.

Τοποθέτηση των αξεσουάρ (εικ. Α)

Το εξάρτημα για χαραμάδες (12) επιτρέπει το ηλεκτρικό σκούπισμα σε στενά και με δύσκολη προσπέλαση μέρη. Με το εξάρτημα βούρτσας (13) μπορείτε να σκουπίζετε πάνω σε έπιπλα, ρολά, κουρτίνες, παράθυρα και σκάλες. Τα αξεσουάρ μπορούν να τοποθετηθούν πάνω στον ελαστικό (1) ή πάνω στον άκαμπτο σωλήνα (10).

- ♦ Πατήστε το κουμπί κλειδώματος (19 ή 21) και εισάγετε το αξεσουάρ μέσα στο στόμιο του ελαστικού (20) ή του άκαμπτου σωλήνα (10).

- ♦ Για να αφαιρέσετε ένα αξεσουάρ, πατήστε το κουμπί ασφάλισης (19 ή 21) και τραβήξτε προς τα έξω το αξεσουάρ.

Όταν δεν χρησιμοποιούνται, τα αξεσουάρ αποθηκεύονται στη θήκη για αξεσουάρ της συσκευής (22). Η θήκη για αξεσουάρ είναι τοποθετημένη πάνω στο ακροφύσιο του ελαστικού σωλήνα. Η θήκη είναι στερεωμένη με κλιπ, για να την αφαιρέσετε τραβήξτε την έξω από το ακροφύσιο του ελαστικού σωλήνα. Τα εξαρτήματα αποθηκεύονται όπως υποδεικνύεται στην εικ. Α.

Χρήση

Ξετύλιγμα και τύλιγμα του καλωδίου

Το κουμπί τυλίγματος καλωδίου (6) μπορεί να πατηθεί με το χέρι ή με το πόδι.

- ♦ Πριν τη χρήση, τραβήξτε αρκετό μήκος καλωδίου από το πίσω μέρος της συσκευής.
- ♦ Μετά τη χρήση, πατήστε το κουμπί τυλίγματος του καλωδίου (6) για να μπει το καλώδιο στη θέση του. Οδηγήστε το καλώδιο με το χέρι για να βεβαιωθείτε ότι δεν αιωρείται προς τα πίσω. Βεβαιωθείτε ότι το βύσμα είναι σωστά εγκαταστημένο.

Ρύθμιση του μήκους του σωλήνα (εικ. Β)

Ο σωλήνας προέκτασης (10) αποτελείται από τρία κομμάτια.

- ♦ Για να επιμηκύνετε τα δύο κάτω κομμάτια, πατήστε το κατώτερο κουμπί ρύθμισης (23) και σύρετε προς τα έξω το σωλήνα μέχρι να ασφαλίσει στη θέση του.
- ♦ Τα δύο ανώτερα μέρη μπορούν να ρυθμιστούν σε 11 βήματα. Πατήστε το ανώτερο κουμπί ρύθμισης (24) και σύρετε το σωλήνα ως το επιθυμητό μήκος. Βεβαιωθείτε ότι ο σωλήνας ασφαλίσει στη θέση του.

Ρύθμιση της κεφαλής αναρρόφησης (εικ. Α)

- ♦ Για ηλεκτρικό σκούπισμα πάνω σε χαλιά, βάλετε τον επιλογέα επιφάνειας πατώματος (25) στην πάνω θέση.
- ♦ Για ηλεκτρικό σκούπισμα πάνω σε ελάσματα, κεραμίδια βάλετε τον επιλογέα επιφάνειας πατώματος (25) στην κάτω θέση.

Ενεργοποίηση και απενεργοποίηση του εργαλείου

- ◆ Το κουμπί on/off (4) μπορεί να πατηθεί με το χέρι ή με το πόδι.
- ◆ Για να ενεργοποιήσετε τη συσκευή, πατήστε το διακόπτη on/off (4).
- ◆ Για να απενεργοποιήσετε τη συσκευή, πατήστε ξανά το διακόπτη on/off (4).

Ρύθμιση της ροής του αέρα (εικ. Β)

- ◆ Περιστρέψτε το διακόπτη ελέγχου ροής του αέρα (11) για να ρυθμίσετε τη ροή αέρα όπως επιθυμείτε. Επισημαίνονται οι θέσεις μέγιστης και ελάχιστης ροής.

Ηλεκτρικό σκούπισμα

- ◆ Όταν χρησιμοποιείτε τη συσκευή, να βεβαιώνετε ότι ο ελαστικός σωλήνας δεν είναι μαγγωμένος, στριμμένος ή μπλοκαρισμένος.
- ◆ Σε περίπτωση υπερθέρμανσης, θα λειτουργήσει ένας διακόπτης και η συσκευή θα σταματήσει αυτόματα.
- ◆ Εάν η συσκευή σταματήσει να λειτουργεί, βγάλτε την από την πρίζα και αφήστε την να κρυώσει για 2-3 ώρες.

Συμβουλές για άριστη χρήση

- ◆ Όταν σκουπίζετε σε περιορισμένους χώρους, βγάλτε προσωρινά τη θήκη των αξεσουάρ από το σωλήνα για να βελτιώσετε το πεδίο σκουπίσματος.
- ◆ Όταν σκουπίζετε σκάλες με την ηλεκτρική σκούπα, αρχίζετε πάντα από κάτω και δουλεύετε προς τα πάνω. Τοποθετήστε τη συσκευή πάνω στο πάτωμα και κάντε τα σκαλιά μέχρι τη μέση της σκάλας. Μετά μεταφέρετε τη συσκευή σε μια σταθερή θέση, τουλάχιστον ένα σκαλί πιο κάτω από τη θέση εργασίας σας και κάντε το πάνω μισό της σκάλας.

VN2200 – Χρήση της βούρτσας turbo (εικ. Α)

- ◆ Προσέχετε ο διακόπτης ελέγχου ταχύτητας να είναι στην υψηλότερη θέση. Μετακινήστε τον ολισθητήρα στο πάνω μέρος της βούρτσας όπως πρέπει για να βελτιστοποιήσετε τη δύναμη αναρρόφησης.
- ◆ Κουνήστε τη βούρτσα μπρος πίσω. Μην κρατάτε τη βούρτσα στην ίδια θέση για μεγάλο χρονικό διάστημα, γιατί αυτό μπορεί να χαλάσει την επιφάνεια.

Μεταφορά της συσκευής (εικ. C)

Μπορείτε να μετακινείτε τη συσκευή κατά τη διάρκεια χρήσης (5) κρατώντας την από τη λαβή.

- ◆ Γείρετε τη λαβή στη θέση που υποδεικνύεται.

Ακουμπήστε προσωρινά την κεφαλή αναρρόφησης (εικ. D)

- ◆ Χρησιμοποιήστε τη θέση απόθεσης για να ακουμπήσετε προσωρινά την κεφαλή αναρρόφησης.

Αποθήκευση της συσκευής (εικ. E & F)

Προειδοποίηση! Προειδοποίηση! Όταν αποθηκεύετε τη συσκευή απενεργοποιήστε τη συσκευή και βγάλτε την από την πρίζα.

- ◆ Βεβαιωθείτε ότι το καλώδιο είναι εντελώς τυλιγμένο.
- ◆ Τοποθετήστε τη συσκευή σε κατακόρυφη θέση.
- ◆ Τυλίξτε τον ελαστικό σωλήνα γύρω από τη συσκευή.
- ◆ Τοποθετήστε το γάντζο της κεφαλής αναρρόφησης (26) μέσα στην εσοχή της συσκευής.
- ◆ Σπρώξτε το σωλήνα μέχρι η διάταξη ασφάλισης (27) να μπει μέσα στην αντίστοιχη εσοχή της συσκευής όπως υποδεικνύεται. Η διάταξη ασφάλισης (27) δεσμεύεται αυτόματα.
- ◆ Αποθηκεύετε τη συσκευή σε στεγνό μέρος. Η συσκευή δεν μπορεί να μεταφερθεί από τη λαβή περιέκτη (2).
- ◆ Για να πάρετε το σωλήνα από τη συσκευή για χρήση, πατήστε το μοχλό της διάταξης ασφάλισης (27) στο πίσω μέρος του σωλήνα, τραβήξτε το σωλήνα έξω από τη μονάδα και σηκώστε το σωλήνα και οδηγήστε τον έξω από τις εγκοπές απόθεσης.

Συντήρηση

Αυτό το εργαλείο της Black & Decker έχει σχεδιαστεί έτσι ώστε να λειτουργεί για μεγάλο χρονικό διάστημα με την ελάχιστη δυνατή συντήρηση. Η αδιάλειπτη και ικανοποιητική λειτουργία του εργαλείου εξαρτάται από τη φροντίδα και τον τακτικό καθαρισμό.

Καθαρισμός του φίλτρου

Η συσκευή διαθέτει μια λειτουργία καθαρισμού του φίλτρου.

- ◆ Μετά από κάθε χρήση απενεργοποιήστε τη συσκευή αλλά μην την αποσυνδέσετε από την πρίζα.

- ◆ Βεβαιωθείτε ότι ο περιέκτης είναι ασφαλώς στη θέση του.
- ◆ Πατήστε το διακόπτη καθαρισμού φίλτρου (3) και ο κύκλος καθαρισμού θα τρέξει για 10 δευτερόλεπτα, μετά από αυτό απενεργοποιείται αυτόματα. Κατά τη διάρκεια των 10 δευτερολέπτων, το σύστημα αυτοκαθαρισμού καθαρίζει το φίλτρο.
- ◆ Τώρα μπορείτε να βγάλετε το βύσμα από την πρίζα.

Αυτό εξασφαλίζει ότι την επόμενη φορά που θα χρησιμοποιηθεί η συσκευή θα έχει την καλύτερη της απόδοση.

Σημείωση: Η συσκευή έχει κατασκευαστεί έτσι ώστε να εμποδίζεται το ηλεκτρικό σοκ κατά τη διάρκεια του κύκλου καθαρισμού του φίλτρου. Εάν η ηλεκτρική σκούπα τεθεί σε λειτουργία κατά τη διάρκεια του κύκλου καθαρισμού, ο κύκλος καθαρισμού του φίλτρου διακόπτεται.

Προειδοποίηση! Πριν πραγματοποιήσετε οποιοδήποτε συντήρηση ή καθαρισμό πάνω στη συσκευή, βγάλτε τη συσκευή από την πρίζα.

- ◆ Να καθαρίζετε τακτικά τις εγκοπές εξαερισμού του εργαλείου με μια μαλακή βούρτσα ή με ένα στεγνό πανί.
- ◆ Να καθαρίζετε τακτικά το περίβλημα του μοτέρ με ένα καθαρό και υγρό πανί. Μη χρησιμοποιείτε λειαντικά ή υγρά καθαρισμού που περιέχουν διαλυτικά.

VN2200 – Καθαρισμός της βούρτσας turbo (εικ. Α)

- ◆ Αφαιρέστε τυχόν τρίχες ή κλωστές που έχουν μαζευτεί πάνω στη βούρτσα (28).

Χρησιμοποιήστε ψαλίδι αν χρειάζεσαι.

- ◆ Αφαιρέστε το κάλυμμα (29) για να αφαιρέσετε οποιοδήποτε ξένα αντικείμενα που μπλοκάρουν την τουρμπίνα αέρα (30). Επανατοποθετήστε το κάλυμμα.

Αδειασμα του περιέκτη (εικ. Η & Ι)

Ο περιέκτης (9) θα πρέπει να αδειάζεται όταν οι ακαθαρσίες φθάσουν στο μέγιστο σημείο που υποδεικνύεται πάνω στο δοχείο.

- ◆ Αφαιρέστε τον περιέκτη (9) από τη συσκευή πατώντας τα δύο κουμπιά αποδέσμευσης (31) και σηκώνοντας τον περιέκτη έξω από τη συσκευή.
- ◆ Πατήστε την ασφάλεια της κάτω θυρίδας (32) για να απελευθερώσετε τις ακαθαρσίες.

- ◆ Αδειάστε τον περιέκτη όπως πρέπει.
- ◆ Καθαρίστε το φίλτρο όπως περιγράφεται παρακάτω.
- ◆ Κλείστε την κάτω θυρίδα και βεβαιωθείτε ότι ασφάλισε στη θέση της.
- ◆ Τοποθετήστε τον περιέκτη (9) μέσα στη συσκευή, βεβαιωθείτε ότι τα κουμπιά αποδέσμευσης (31) ασφαλίζουν στη θέση τους.
- ◆ Πατήστε το διακόπτη καθαρισμού φίλτρου (3) και ο κύκλος καθαρισμού θα τρέξει για 10 δευτερόλεπτα, μετά από αυτό απενεργοποιείται αυτόματα. Αυτό εξασφαλίζει ότι την επόμενη φορά που θα χρησιμοποιηθεί η συσκευή θα έχει την καλύτερη της απόδοση.

Καθαρισμός

Προειδοποίηση! Πριν από τον καθαρισμό και τη συντήρηση, απενεργοποιήστε τη συσκευή και βγάλτε την από την πρίζα.

- ◆ Από καιρό σε καιρό σκουπίζετε τη συσκευή με ένα υγρό πανί. Μη χρησιμοποιείτε λειαντικά ή υγρά καθαρισμού που περιέχουν διαλυτικά. Μην βουτάτε τη συσκευή μέσα σε νερό.

Καθαρισμός των φίλτρων περιέκτη (εικ. Η - Κ)

Τα φίλτρα περιέκτη εμποδίζουν τη σκόνη και τις βρομιές να μπουν μέσα στο περίβλημα του μοτέρ. Τα φίλτρα είναι επαναχρησιμοποιήσιμα και θα πρέπει να καθαρίζονται τακτικά.

- ◆ Αφαιρέστε τον περιέκτη από τη συσκευή (εικ. Η).
- ◆ Πατήστε την ασφάλεια της κάτω θυρίδας (32) για να ανοίξετε την κάτω θυρίδα (εικ. Ι).
- ◆ Αφαιρέστε το προ-φίλτρο (33) από τον περιέκτη (9) (εικ. J) περιστρέφοντας αριστερόστροφα.
- ◆ Τραβήξτε το φίλτρο (34) έξω από την υποδοχή του φίλτρου (εικ. Κ).

Προειδοποίηση! Μην βουρτσίζετε ούτε να χρησιμοποιείτε συμπιεσμένο αέρα ή αιχμηρά αντικείμενα για να καθαρίσετε το φίλτρο.

- ◆ Ανάλογα με την κατάσταση που βρίσκεται, ξεπλύνετε το εξωτερικό του φίλτρου με νερό. Αφήστε το φίλτρο να στεγνώσει για 24 ώρες πριν το τοποθετήσετε πάλι.

Προειδοποίηση! Μην πλένετε το εσωτερικό του φίλτρου

- ◆ Αντικαταστήστε το φίλτρο.
- ◆ Επανατοποθετήστε το προ-φίλτρο.
- ◆ Κλείστε την κάτω θυρίδα.
- ◆ Επανατοποθετήστε τον περιέκτη μέσα στη συσκευή.

Καθαρισμός φίλτρου μοτέρ (εικ. Η & Λ)

Το φίλτρο του κινητήρα (35) εμποδίζει τα σωματίδια και μεγαλύτερα αντικείμενα να εισέλθουν μέσα στο περίβλημα του μοτέρ όταν ο περιέκτης δεν είναι στη θέση του.

Το φίλτρο (35) είναι επαναχρησιμοποιήσιμο και θα πρέπει να καθαρίζεται τακτικά.

- ◆ Αφαιρέστε τον περιέκτη από τη συσκευή (εικ. Η).
- ◆ Βγάλτε το φίλτρο έξω (35) (εικ. Λ).
- ◆ Αφαιρέστε με τη βούρτσα τις τελευταίες σκόνες από το φίλτρο.
- ◆ Αντικαταστήστε το φίλτρο (35).
- ◆ Επανατοποθετήστε τον περιέκτη μέσα στη συσκευή.

Αντικατάσταση των φίλτρων

Εάν το φίλτρο του περιέκτη (34) είναι χαλασμένο ή δεν λειτουργεί καλά, θα πρέπει να αντικατασταθεί. Ανταλλακτικά φίλτρα διατίθενται από τα εμπορικά σημεία πώλησης προϊόντων Black & Decker (κατ. αριθ. VLF50):

Αντικατάσταση του φίλτρου περιέκτη.

- ◆ Προχωρήστε όπως υποδεικνύεται παραπάνω για να αντικαταστήσετε το φίλτρο (34).

Αντικατάσταση του φίλτρου εξόδου (εικ. Μ & Ν)

Η συσκευή έχει συναρμολογηθεί με ένα φίλτρο για όλη τη διάρκεια ζωής της αλλά αν χρειαστεί να το αλλάξετε, προχωρήστε όπως ακολουθεί:

- ◆ Αφαιρέστε τις δύο βίδες (36)
- ◆ Αφαιρέστε το κάλυμμα (37) χρησιμοποιώντας ένα εργαλείο για να το ανασηκώσετε.
- ◆ Αφαιρέστε το παλιό φίλτρο (38) τραβώντας προς τα έξω.
- ◆ Τοποθετήστε το καινούργιο φίλτρο όπως υποδεικνύεται.
- ◆ Εγκαταστήστε πάλι το κάλυμμα με τις δύο βίδες (36).

Αντικατάσταση του ρευματολήπτη (M.B. & Ιρλανδία μόνο)

Αν χρειαστεί να εγκαταστήσετε ένα καινούριο ρευματολήπτη (φίς):

- ◆ Αφαιρέστε με ασφαλή τρόπο το παλιό φίς.
- ◆ Συνδέστε τον καφέ αγωγό στον ηλεκτροφόρο ακροδέκτη του νέου ρευματολήπτη.
- ◆ Συνδέστε τον μπλε αγωγό στον ουδέτερο ακροδέκτη.

Προειδοποίηση! Δεν χρειάζεται καμία σύνδεση στον ακροδέκτη γείωσης. Ακολουθήστε τις οδηγίες τοποθέτησης που παρέχονται με τις καλές ποιότητας ρευματολήπτες (φίς). Προτεινόμενη ασφάλεια τήξης: 5 Α.

Προστασία του περιβάλλοντος

Στην περίπτωση που κάποτε διαπιστώσετε ότι πρέπει να αντικαταστήσετε το εργαλείο ή ότι δεν σας είναι πλέον χρήσιμο, μην ξεχνάτε την ανάγκη προστασίας του περιβάλλοντος. Τα κέντρα επισκευών της Black & Decker παραλαμβάνουν παλαιά εργαλεία Black & Decker και φροντίζουν για την απόρριψή τους με ασφαλή για το περιβάλλον τρόπο.



Η ανεξάρτητη συλλογή των μεταχειρισμένων προϊόντων και των υλικών συσκευασίας δίνει τη δυνατότητα ανακύκλωσης και επαναχρησιμοποίησης των υλικών. Με την επαναχρησιμοποίηση των ανακυκλωμένων υλικών αποτρέπεται η μόλυνση του περιβάλλοντος και μειώνεται η ζήτηση πρώτων υλών.

Οι κανονισμοί που ισχύουν στην περιοχή σας ενδέχεται να προβλέπουν την επιλεκτική περισυλλογή των ηλεκτρικών συσκευών που προέρχονται από νοικοκυριά σε κρατικές εγκαταστάσεις ή από τον έμπορο όταν αγοράσετε ένα καινούργιο προϊόν.

Η Black & Decker δίνει τη δυνατότητα ανακύκλωσης των προϊόντων της που έχουν συμπληρώσει τη διάρκεια ζωής τους. Για να χρησιμοποιήσετε αυτήν την υπηρεσία, επιστρέψτε το προϊόν σας σε οποιοδήποτε εξουσιοδοτημένο κέντρο επισκευών, όπου θα το παραλάβουμε εκ μέρους μας.

Ενημερωθείτε για το πλησιέστερο εξουσιοδοτημένο κέντρο επισκευών της περιοχής σας, επικοινωνώντας με τα γραφεία της Black & Decker στη διεύθυνση που αναγράφεται στο εγχειρίδιο. Επίσης, για να πληροφορηθείτε για τα εξουσιοδοτημένα κέντρα επισκευών της Black & Decker και τους αρμόδιους των υπηρεσιών που παρέχονται μετά την πώληση, μπορείτε να ανατρέξετε στο Διαδίκτυο, στη διεύθυνση:

www.2helpU.com.

Τεχνικά χαρακτηριστικά

VN1800	VN2000VN2010		VN2200	
Τάση	Vac 230	230	230	230
(Αυστραλία & Νέα Ζηλανδία) Vac	240			
Ισχύς εισόδου W	1800	2000	2000	2200
Μήκος καλωδίου	m 6	7	7	8
Μέγεθος περιέκτη	l 2.5	2.5	2.5	2.5
Βάρος	kg 9.1	9.6	9.6	9.7

Δήλωση συμμόρφωσης με την Ευρωπαϊκή Κοινότητα

VN1800/VN2000/VN2010/VN2200

H Black & Decker δηλώνει ότι τα προϊόντα αυτά συμμορφώνονται με:

89/336/EOK, 73/23/EOK, EN 55014, EN 61000, EN 60335, EN 61000-3-11

Στάθμη ηχητικής πίεσης, μετρημένης σύμφωνα με ο πρότυπο EN 60704-1: = 73 dB(A)



Kevin Hewitt
Διευθυντής Εξυπηρέτησης
Πελατών
Spennymoor, County
Durham
DL16 6JG,
Αγγλία Ηνωμένο Βασίλειο
01-08-2006

- Το προϊόν έχει χρησιμοποιηθεί σε εργασιακό, επαγγελματικό περιβάλλον ή αν έχει ενοικιαστεί.
- Έχει γίνει εσφαλμένη χρήση του προϊόντος ή έχει παραμεληθεί.
- Το προϊόν έχει υποστεί βλάβη από άλλα αντικείμενα, από ουσίες ή λόγω ατυχήματος.
- Έχει γίνει προσπάθεια επισκευής από μη εξουσιοδοτημένα κέντρα επισκευών ή από προσωπικό που δεν ανήκει στο προσωπικό της Black & Decker.

Για να ισχύσει η εγγύηση, πρέπει να υποβάλετε απόδειξη αγοράς στον πωλητή ή το εξουσιοδοτημένο κέντρο επισκευών. Ενημερωθείτε για το πλησιέστερο εξουσιοδοτημένο κέντρο επισκευών της περιοχής σας, επικοινωνώντας με τα γραφεία της Black & Decker στη διεύθυνση που αναγράφεται στο εγχειρίδιο. Επίσης, για να πληροφορηθείτε για τα εξουσιοδοτημένα κέντρα επισκευών της Black & Decker και τους αρμόδιους των υπηρεσιών που παρέχονται μετά την πώληση, μπορείτε να ανατρέξετε στο Διαδίκτυο, στη διεύθυνση:

www.2helpU.com

Παρακαλούμε επισκεφθείτε την ιστοσελίδα μας www.blackanddecker.eu για να καταχωρήσετε το νέο σας προϊόν Black & Decker και για να ενημερώνεστε για τα νέα προϊόντα και τις ειδικές προσφορές. Περισσότερες πληροφορίες σχετικά με τη μάρκα Black & Decker και τη σειρά των προϊόντων μας θα βρείτε στη διεύθυνση www.blackanddecker.eu.

Εγγύηση

Η Black & Decker είναι σίγουρη για την ποιότητα των προϊόντων της και παρέχει σημαντική εγγύηση. Η παρούσα γραπτή εγγύηση αποτελεί πρόσθετο δικαίωμά σας και δεν ζημιώνει τα νόμιμα δικαιώματά σας. Η εγγύηση ισχύει εντός της επικράτειας των Κρατών Μελών της Ευρωπαϊκής Ένωσης και της Ευρωπαϊκής Ζώνης Ελευθέρων Συναλλαγών.

Σε περίπτωση που κάποιο προϊόν της Black & Decker παρουσιάσει βλάβη εξαιτίας ελαττωματικών υλικών, ποιότητας εργασίας ή έλλειψης συμφωνίας με τις προδιαγραφές εντός 24 μηνών από την ημερομηνία αγοράς, η Black & Decker εγγυάται την αντικατάσταση των ελαττωματικών τμημάτων, την επισκευή προϊόντων που έχουν υποστεί εύλογη φθορά λόγω χρήσης ή την αντικατάσταση των προϊόντων προκειμένου να εξασφαλίσει την ελάχιστη ενόχληση στους πελάτες της, εκτός εάν:

Kullanım amacı

Black & Decker elektrikli süpürge, kuru maddeleri temizlemek üzere tasarlanmıştır. Bu ürün yalnızca ev temizliğinde kullanılır.

Güvenlik talimatları

Uyarı! Şebekeyle çalışan cihazları kullanırken, yangın tehlikesini, elektrik çarpması riskini, kişisel yaralanmaları ve maddi zararı azaltmak için aşağıdaki maddelerin de yer aldığı temel emniyet önlemlerine daima uyulmalıdır.

- ◆ Cihazı kullanmadan önce elinizdeki kullanım kılavuzunu baştan sona dikkatle okuyun.
- ◆ Cihazın kullanım amacı bu kılavuzda açıklanmıştır. Cihazın bu kılavuzda önerilenlerden başka aksesuar ve ek parçalarla kullanılması ya da başka amaçlarla çalıştırılması yaralanmalara yol açabilir.
- ◆ İleride bakmak üzere bu kılavuzu saklayın.

Cihazın kullanılması

- ◆ Güç kaynağına takmadan veya güç kaynağından çıkarmadan önce cihazın kapalı olduğundan emin olun.
- ◆ Cihazı kullanırken her zaman dikkatli olun.
- ◆ Cihazı dış mekanlarda kullanmayın.
- ◆ Fişi prizden çıkarmak için asla güç kaynağı kablosunu çekmeyin. Güç kaynağı kablosunu, ısıdan, yağdan ve nesnelere keskin kenarlarından uzak tutun.
- ◆ Güç kaynağı kablosu kullanım sırasında zarar görürse, cihazı derhal güç kaynağından çıkarın. Güç kaynağından çıkarmadan önce güç kaynağı kablosuna dokunmayın.
- ◆ Parçaları takmadan veya çıkarmadan önce ve temizlik işleminden önce, kullanımda olmadığı anda cihazı güç kaynağından çıkarın.

Diğerlerinin emniyeti

- ◆ Çocukların veya bu talimatları bilmeyen kişilerin, cihazı kullanmasına izin vermeyin.
- ◆ Çocukların veya hayvanların, çalışma alanı yakınlarında bulunmasına ya da cihaza ve güç kaynağı kablosuna dokunmasına izin vermeyin. Cihaz çocukların yanında kullanıldığında, yakın gözetim gereklidir.

Kullanım sonrası

- ◆ Cihazı gözetim dışında bırakmadan önce ve cihazın herhangi bir parçasını değiştirmeden, temizlemeden veya incelemenden önce, cihazı kapatın ve fişi prizden çekin.

- ◆ Cihaz, kullanılmadığı zaman kuru bir yerde saklanmalıdır. Cihazlar çocukların ulaşamayacağı yerlere kaldırılmalıdır.

İnceleme ve onarımlar

- ◆ Kullanmadan önce cihazı kontrol ederek arızalı ya da eksik parça olup olmadığına bakın. Parçalarda kırılma, düğmelerde hasar ve cihazın çalışmasını etkileyebilecek başka durumlar olup olmadığını kontrol edin.
- ◆ Arızalı ya da eksik parça varsa, cihazı kullanmayın.
- ◆ Hasarlı ya da eksik parçaların onarım ve değiştirme işlemlerini yetkili serviste yaptırın.
- ◆ Kullanmadan önce, güç kaynağı kablosunda hasar, yıpranma ve aşınma belirtilerinin olup olmadığını kontrol edin.
- ◆ Güç kaynağı kablosu veya şebeke fişi hasar görmüşse veya arızalıysa, cihazı kullanmayın.
- ◆ Güç kaynağı kablosu veya şebeke fişi hasar görmüşse veya arızalıysa, olası bir tehlikeyi önlemek için yetkili servis tarafından tamir edilmelidir. Güç kaynağı kablosunu kesmeyin ve kendi başınıza tamir etmeye çalışmayın.
- ◆ Hiçbir parçayı yerinden çıkarmayın ve bu kılavuzda belirtilenlerden başka parçalarla değiştirmeyin.

Elektrik emniyeti



Bu araç çift yalıtım ile donatılmıştır, bu nedenle topraklama kablosuna gerek duyulmaz. Güç kaynağının, nominal değerler levhasında belirtilen voltaja uyup uymadığını her zaman kontrol edin.

Elektrikli süpürgeler için ek emniyet talimatları

- ◆ Kullanmadan önce, her zaman filtrenin doğru şekilde takıldığından emin olun.
- ◆ Cihazı, hazne sapından tutarak taşımayın.
- ◆ Cihazı sıvı maddeleri çekmek için kullanmayın.
- ◆ Cihazı herhangi bir yanıcı maddeyi çekmek için kullanmayın.
- ◆ Cihazı su bulunan alanların yakınında kullanmayın. Cihazı suya batırmayın.
- ◆ Cihazın çekişini gözlerinizden ve yüzünüzden uzak tutun.
- ◆ Bu cihazı kullanırken çocukları ve hayvanları güvenli bir mesafede tutun.
- ◆ Cihazı merdivenlerde kullanırken her zaman alt basamaktan üst basamağa doğru uygulayın ve cihazı çalışma konumunuzun en az bir basamak altında tutun.

- ◆ Cihazı, emme kafası veya boruya takılan diğer uygun bir aksesuarı olmadan kullanmayın.
- ◆ Saçınızı, giysilerinizi ve eldivenlerinizi hareketli parçalardan uzak tutun. Dönen fırçaya dokunmayın. Dönen fırçayı, güç kaynağı kablosundan uzakta tutun.
- ◆ Zarar görmüş aksesuarları kullanmayın.
- ◆ Yalnızca Black & Decker aksesuarlarını kullanın.

Özellikler

Bu cihaz, aşağıdaki özelliklerin bazılarını veya tümünü kapsamaktadır.

1. Hortum
2. Hazne sapı
3. Filtre temizleme anahtarı
4. Açma/kapama düğmesi
5. Sap
6. Kablo sarma düğmesi
7. Emme kafası
8. Tekerlekler
9. Hazne
10. Uzatma borusu
11. Hava akımı kontrol düğmesi

Ayrıca, bu cihaz aşağıdaki aksesuarların bazılarıyla veya tümüyle birlikte verilmektedir (şekil A):

12. Dar alan başlığı
13. Fırça başlık
14. Parke zemin başlığı (VN2010 / VN2200)
15. Turbo fırça (VN2200)

Parke zemin başlığı tüm modellerde bulunmaz. Bu aksesuarı Black & Decker bayinizden / servis merkezinden temin edebilirsiniz (kat. no. WV100).

Turbo fırça tüm modellerde bulunmaz. Bu aksesuarı Black & Decker bayinizden / servis merkezinden temin edebilirsiniz (kat. no. WV100).

Cihazın kurulması

Hortumun takılması (şekil A)

- ◆ Hortum bağlantısını (16), cihazın girişine (17) takın.
- ◆ Hortum bağlantısının üzerindeki çıkıntıları, girişte bulunan yuvalarla aynı hizaya getirin.
- ◆ Çıkarma düğmeleri (18) (konum 2'de) klik sesiyle yerine oturana kadar, hortumu ileriye doğru itin.

- ◆ Hortumu çıkarmak için bırakma düğmelerine (18) (konum 2'de) basın ve hortumu dışarı doğru çekin.

Uzatma borusunu takma (şekil A)

- ◆ Kilit düğmesine (19) basın ve hortum başını (20) klik sesiyle yerine oturana kadar boruya (10) doğru itin.
- ◆ Boruyu (10) çıkarmak için kilit düğmesine basın ve hortum başını (20) borudan çıkarın.

Emme kafasını takma (şekil A)

Emme kafası (7), halıların ve sert yüzeylerin (örn., laminant ve fayans) temizlenmesini sağlar.

- ◆ Kilit düğmesine (21) basın ve boruyu (10) klik sesiyle yerine oturana kadar emme kafasına (7) doğru itin.
- ◆ Emme kafasını (7) çıkarmak için kilit düğmesine (21) basın ve boruyu (10) emme kafasından (7) çıkarın.

VN2010/VN2200 - Parke zemin başlığını (şekil A) takma

Parke zemin başlığı (14), tahta ve cilalı yüzeylerin temizlenmesini sağlar.

- ◆ Kilit düğmesine (21) basın ve boruyu (10) klik sesiyle yerine oturana kadar emme kafasına (14) doğru itin.
- ◆ Emme kafasını (14) çıkarmak için kilit düğmesine (21) basın ve boruyu (10) emme kafasından dışarıya doğru çekin.

VN2200 – Turbo fırçayı takma (şekil A)

Turbo fırça (15), kesik havlı halıların temizlenmesini sağlar.

Fırça, basılmış halı tüylerini kaldırırken ve özellikle de tüy, iplik vb.maddeleri temizlerken kullanışlıdır.

- ◆ Kilit düğmesine (21) basın ve boruyu (10) klik sesiyle yerine oturana kadar emme kafasına (15) doğru itin.
- ◆ Emme kafasını (15) çıkarmak için kilit düğmesine (21) basın ve boruyu (10) emme kafasından dışarı doğru çekin.

Aksesuarları takma (şekil A)

Dar alan başlığı (12), dar ve ulaşılması zor olan alanların temizlenmesini sağlar. Fırça başlık (13), mobilyaların, örtülerin, perdelerin, pencerelerin ve basamakların temizlenmesini sağlar. Aksesuarlar, hortum (1) ve boru (10) üzerine takılabilir.

- ◆ Kilit düğmesine (19 veya 21) basın ve aksesuarı hortum başı (20) veya boru (10) üzerine doğru itin.
- ◆ Aksesuarı çıkarmak için kilit düğmesine (19 veya 21) basın ve aksesuarı çıkarın.

Aksesuarlar, kullanımda değilken aksesuar yuvasında (22) saklanabilir. Aksesuar yuvası, hortum başı üzerinde saklanır. Aksesuar yuvası takılı şekilde durmaktadır, çıkarmak için hortum başından dışarı doğru çekin. Saklanan araçlar şekil A'da gösterilmiştir.

Kullanım

Kabloyu çıkarma ve geri sarma

Kablo sarma düğmesi (6), elle veya ayakla çalıştırılabilir.

- ◆ Kullanmadan önce, cihazın arkasından yeterli uzunluktaki kabloyu çekin.
- ◆ Kullanımdan sonra, kabloyu tekrar yerinde saklamak için kablo sarma düğmesine (6) basın. Dışarda kalmadığından emin olmak için kabloyu el ile kontrol edin. Fişin doğru şekilde yerleştiğinden emin olun.

Borunun uzunluğunu ayarlama (şekil B)

Uzatma borusu (10), üç parçadan oluşur.

- ◆ Orta / alt iki parçayı uzatmak için alt ayarlama düğmesine (23) basın ve boruyu klik sesiyle yerine oturana kadar tamamen itin.
- ◆ Üst iki parça 11 adımda ayarlanabilir. Üst ayarlama düğme topuzuna (24) basın ve boruyu istenen uzunlukta takın. Borunun klik sesiyle yerine oturduğundan emin olun.

Emme kafasını ayarlama (şekil A)

- ◆ Halıları temizlemek için zemin yüzeyi seçiciyi (25) yukarı konuma getirin.
- ◆ Laminant ve fayansları temizlemek için zemin yüzeyi seçiciyi (25) aşağı konuma getirin.

Açma ve kapama

- ◆ Açma/kapama düğmesi (4), elle veya ayakla çalıştırılabilir.
- ◆ Cihazı açmak için, açma/kapama düğmesine (4) basın.
- ◆ Cihazı kapamak için, açma/kapama düğmesine (4) tekrar basın.

Hava akımını ayarlama (şekil B)

- ◆ Hava akımının istenildiği gibi ayarlanması için hava akımı kontrol düğmesini (11) çevirin. Maks. ve min. konumlar gösterilmiştir.

Temizleme

- ◆ Cihazı çalıştırırken, hortumun sıkışmadığından, bükülmediğinden ve tıkanmadığından emin olun.
- ◆ Aşırı ısınma durumunda, kesinti meydana gelir ve cihaz otomatik olarak durur.
- ◆ Cihazı çalışmayı bırakırsa, cihazın fişini prizden çıkarın ve 2-3 saat boyunca soğumaya bırakın.

En iyi kullanıma yönelik öneriler

- ◆ Dar alanlarda çalışırken, alanınızı genişletmek için aksesuar yuvasını bir süreliğine borudan çıkarın.
- ◆ Merdivenleri temizlerken, her zaman alt basamaktan başlayın ve yukarıya doğru çıkın. Cihazı, zemin üzerinde konumlandırın ve merdivenleri yarısına kadar temizleyin. Ardından, cihazı çalışma konumunuzun en az bir basamak altında olacak şekilde sabit bir konumda taşıyın ve merdivenlerin üst yarısını temizleyin.

VN2200 – Turbo fırçayı kullanma (şekil A)

- ◆ Hız kontrol düğmesinin en yüksek ayarda olmasına özen gösterin. Emiş gücünü en iyi duruma getirmeniz gerekirse, kayan düğmeyi fırçanın yukarısına doğru hareket ettirin.
- ◆ Fırçayı sürekli ileriye ve geriye doğru hareket ettirin. Yüzeze zarar verebileceğinden dolayı fırçayı uzun süre aynı yerde tutmayın.

Cihazı taşıma (şekil C).

Kullanım sırasında, cihaz sapından tutularak taşınabilir (5).

- ◆ Sapı konumuna şekilde gösterildiği gibi indirin.

Emme kafasını geçici olarak park konumunda bırakma (şekil D)

- ◆ Emme kafasını geçici olarak park halinde bırakmak için park konumunu kullanın.

Cihazı saklama (şekil E ve F)

Uyarı! Cihazı saklarken, cihazı kapatın ve cihazın fişini prizden çekin.

- ◆ Kablonun tamamen sarıldığından emin olun.
- ◆ Cihazı dik bir konumda yerleştirin.
- ◆ Hortumu, cihazın etrafına sarın.
- ◆ Emme kafası kancasını (26) cihaz içindeki girintiye takın.
- ◆ Şekilde gösterildiği gibi kilitleme düzeneği (27) cihazdaki ilgili çıkıntıya girene kadar boruya basın. Kilitleme düzeneği (27) otomatik olarak devreye girer.

- ◆ Cihazı kuru ortamda saklayın. Cihaz hazne sapından (2) tutularak taşınabilir.
- ◆ Boruyu kullanmak üzere cihazdan çıkarmak için boruda bulunan kilitleme düzeneği (27) üzerindeki kola basın ve boruyu birimden çıkarın, boruyu ve kafayı park yuvalarından kaldırın.

Bakım

Black & Decker aracınızın en az bakımla uzun süre çalışacak şekilde tasarlanmıştır. Sürekli ve tatmin edici çalışma, uygun araç bakımı ve düzenli temizlemeye bağlıdır.

Filtre temizleme

Cihaz, filtre temizleme özelliğine sahiptir.

- ◆ Her kullanımdan sonra cihazı kapatın fakat şebekeden çıkarmayın.
- ◆ Haznenin düzgün olarak yerinde durduğundan emin olun.
- ◆ Filtre temizleme düğmesine (3) basın ve filtre temizleme devresi 10 saniye boyunca çalışacaktır ve ardından otomatik olarak kapanacaktır. 10 saniyelik sürede, otomatik temizleme sistemi filtreyi temizler.
- ◆ Fiş şimdi prizden çıkarılabilir.

Böylece, cihaz bir sonraki kullanımında en iyi performansı sağlar.

Not: Cihaz, filtre temizleme devresi sırasında temizlemeyi önleyecek şekilde tasarlanmıştır. Elektrikli süpürge, filtre temizleme devresi sırasında açılırsa, filtre temizleme devresi duracaktır.

Uyarı! Cihaz üzerinde herhangi bir bakım veya temizleme işlemi uygulamadan önce, cihazın fişini prizden çıkarın.

- ◆ Cihazınızdaki havalandırma yuvalarını, yumuşak bir fırça veya kuru bir bez yardımıyla düzenli olarak temizleyin.
- ◆ Motor yatağını düzenli olarak kuru bir bezle temizleyin. Aşındırıcı veya çözücü bazlı temizleyici kullanmayın.

VN2200 – Turbo fırçayı temizleme (şekil G)

- ◆ Fırça üzerinde toplanmış tüy veya iplikleri çıkarın (28).

Gerekirse makas kullanın.

- ◆ Hava türbinini (30) tıkayan yabancı maddeleri çıkarmak için kapağı (29) kaldırın. Kapağı tekrar takın.

Hazneyi boşaltma (şekil H ve I)

Kova üzerindeki maksimum işaretine kadar toz dolmuşsa, hazne (9) boşaltılmalıdır.

- ◆ İki çıkarma düğmesine (31) basarak ve hazneyi kaldırarak, cihazdan hazneyi (9) çıkarın.
- ◆ Tozu çıkarmak için alt kapı mandalına basın.
- ◆ Gerekliyse hazneyi boşaltın.
- ◆ Filtreyi aşağıda anlatıldığı gibi temizleyin.
- ◆ Alt kapıyı kapatın ve yerine oturduğundan emin olun.
- ◆ Hazneyi (9) cihaza tekrar takın, çıkarma düğmelerinin (31) yerine oturduğundan emin olun.
- ◆ Filtre temizleme düğmesine (3) basın ve filtre temizleme devresi 10 saniye boyunca çalışacaktır ve ardından otomatik olarak kapanacaktır. Böylece, cihaz bir sonraki kullanımında en iyi performansı sağlar.

Temizleme

Uyarı! Temizleme ve bakımdan önce, cihazı kapatın ve cihazın fişini prizden çekin.

- ◆ Cihazı ara sıra nemli bir bezle silin. Aşındırıcı veya çözücü bazlı temizleyici kullanmayın. Cihazı suya sokmayın.

Hazne filtrelerini temizleme (şekil H – K)

Hazne filtreleri, toz ve kirin motor yatağına girmesini önler. Filtreler yeniden kullanılabilir ve düzenli aralıklarla temizlenmelidir.

- ◆ Hazneyi cihazdan çıkarın (şekil H).
- ◆ Alt kapıyı çıkarmak için alt kapı mandalına basın (şekil I).
- ◆ Ön filtreyi (33), saat yönünün aksine çevirerek cihazdan çıkarın (şekil J).
- ◆ Filtreyi (34), filtre yuvasından çıkarın (şekil K).

Uyarı! Filtreyi temizlemek için fırça veya basınçlı hava kullanmayın.

- ◆ Durumuna bağlı olarak, filtrenin dışını su ile durulayın. Filtreyi tekrar takmadan önce, 24 saat boyunca kurumaya bırakın.

Uyarı! Filtrenin içini yıkamayın.

- ◆ Filtreyi tekrar takın.
- ◆ Ön filtreyi tekrar takın.
- ◆ Alt kapıyı kapatın.
- ◆ Hazneyi cihaza tekrar takın.

Motor filtresini temizleme (şekil H ve L)

Motor filtresi (35), hazne çıkarıldığında küçük maddelerin ve daha büyük maddelerin motor yatağına girmesini önler.

Filtre (35) yeniden kullanılabilir ve düzenli aralıklarla temizlenmelidir.

- ◆ Hazneyi cihazdan çıkarın (şekil H).
- ◆ Filtreyi (35) dışarı çıkarın. (şekil L).
- ◆ Filtrenin üzerindeki tozları fırçayla temizleyin.
- ◆ Filtreyi (35) tekrar takın.
- ◆ Hazneyi cihaza tekrar takın.

Filtrelerin değiştirilmesi

Hazne filtresi (34) zarar görmüşse veya düzgün çalışmıyorsa, değiştirilmelidir. Yedek filtreleri Black & Decker bayinizden temin edebilirsiniz (kat. no. VLF50).

Hazne filtresini değiştirme

- ◆ Filtreyi (34) değiştirmek için yukarıda açıklanan talimatlara uyun.

Çıkış filtresini değiştirme (şekil M & N)

Cihaz, uzun ömürlü filtreye sahiptir, fakat değiştirilmesi gerekirse, aşağıda açıklandığı gibi değiştirin:

- ◆ İki vidayı (36) çıkarın.
- ◆ Kapağı (37), yukarı kaldırılabilmesini sağlayacak bir araç yardımıyla çıkarın.
- ◆ Eski (38) filtreyi, dışarı doğru çekerek çıkarın.
- ◆ Yeni filtreyi gösterildiği gibi takın.
- ◆ Kapağı iki vidayla (36) birlikte tekrar takın.

Şebeke fişi değiştirme (yalnızca B.K. ve İrlanda)

Yeni bir şebeke fişi takılması gerekirse:

- ◆ Eski fişi güvenli bir şekilde imha edin.
- ◆ Kahverengi ucu, yeni fişin elektrikli ucuna bağlayın.
- ◆ Mavi ucu, nötr uca bağlayın.

Uyarı! Topraklı uca hiçbir bağlantı yapılmamalıdır.

İyi kalitedeki fişlerle birlikte verilen montaj talimatlarını takip edin. Önerilen sigorta: 5 A.

Çevrenin korunması



İleride uygulamanızı değiştirmeye ya da cihazınızın artık kullanılmaz duruma geldiğine karar verirsiniz, çevrenin korunmasına duyarlılık gösterin. Yetkili Black & Decker servisleri, kullanılmış Black & Decker cihazlarını kabul

ederek, bu cihazların çevre açısından güvenli biçimde imha edilmesini sağlamaktadır.



Kullanılmış ürün ve ambalajların ayrı ayrı toplanması, malzemelerin geri dönüştürülerek yeniden kullanılmasına olanak tanır. Geri dönüştürülmüş malzemelerin yeniden kullanılması çevre kirliliğinin önlenmesine yardımcı olur ve hammadde talebini azaltır.

Belediyeler, elektrikli ev aletlerinin, yasal düzenlemelerle kendi gösterecekleri atık alanlarında ya da yeni bir ürün alındığında satıcı aracılığıyla ev çöplerinden ayrı toplanmasını sağlayabilir.

Black & Decker, sattığı ürünler kullanım ömürlerini tamamladığında, bu ürünlerin toplanıp geri dönüştürülmesine yönelik bir hizmet sunmaktadır. Bu hizmetten yararlanmak için, ürününüzü bir yetkili servise götürebilirsiniz. Yetkili servisler bu ürünleri bizim adımıza kabul etmektedir.

Bu kılavuzda adresi bulunan yerel Black & Decker bürosuyla bağlantı kurarak size en yakın yetkili servisin yerini öğrenebilirsiniz. Ayrıca, yetkili Black & Decker servislerinin listesini, satış sonrası hizmetlerine ilişkin tüm ayrıntıları ve bağlantı bilgilerini: www.2helpU.com adresindeki İnternet sitesinden edinebilirsiniz.

Teknik bilgiler

	VN1800	VN2000	VN2010	VN2200
Voltaj	Vac 230	230	230	230
(Avustralya & Yeni Zelanda) Vac	240			
Güç girişi	W 1800	2000	2000	2200
Kablo uzunluğu	m 6	7	7	8
Hazne boyutu	l 2.5	2.5	2.5	2.5
Ağırlık	kg 9.1	9.6	9.6	9.7

AB uygunluk bildirimi

VN1800/VN2000/VN2010/VN2200

Black & Decker, bu ürünlerin aşağıda belirtilen AB

direktiflerine uygun olduğunu beyan eder:

89/336/EEC, 73/23/EEC, EN 55014, EN 61000,

EN 60335, EN 61000-3-11

Ses basınç düzeyi, EN 60704-1 göre

ölçülür: = 73 dB(A)



Kevin Hewitt
Tüketici Hizmetleri Bölüm
Direktörü
Spennymoor, County
Durham
DL16 6JG,
Birleşik Krallık
01-08-2006

Garanti

Black & Decker kalitesine güvendiği ürünleri için seçkin bir garanti sunmaktadır. Bu garanti bildirimini yasal haklarınıza hiçbir şekilde zarar vermemekte, aksine katkı sağlamaktadır. Bu garanti Avrupa Birliğine Üye Ülkeler'de ve Avrupa Serbest Ticaret Bölgesi'nde geçerlidir.

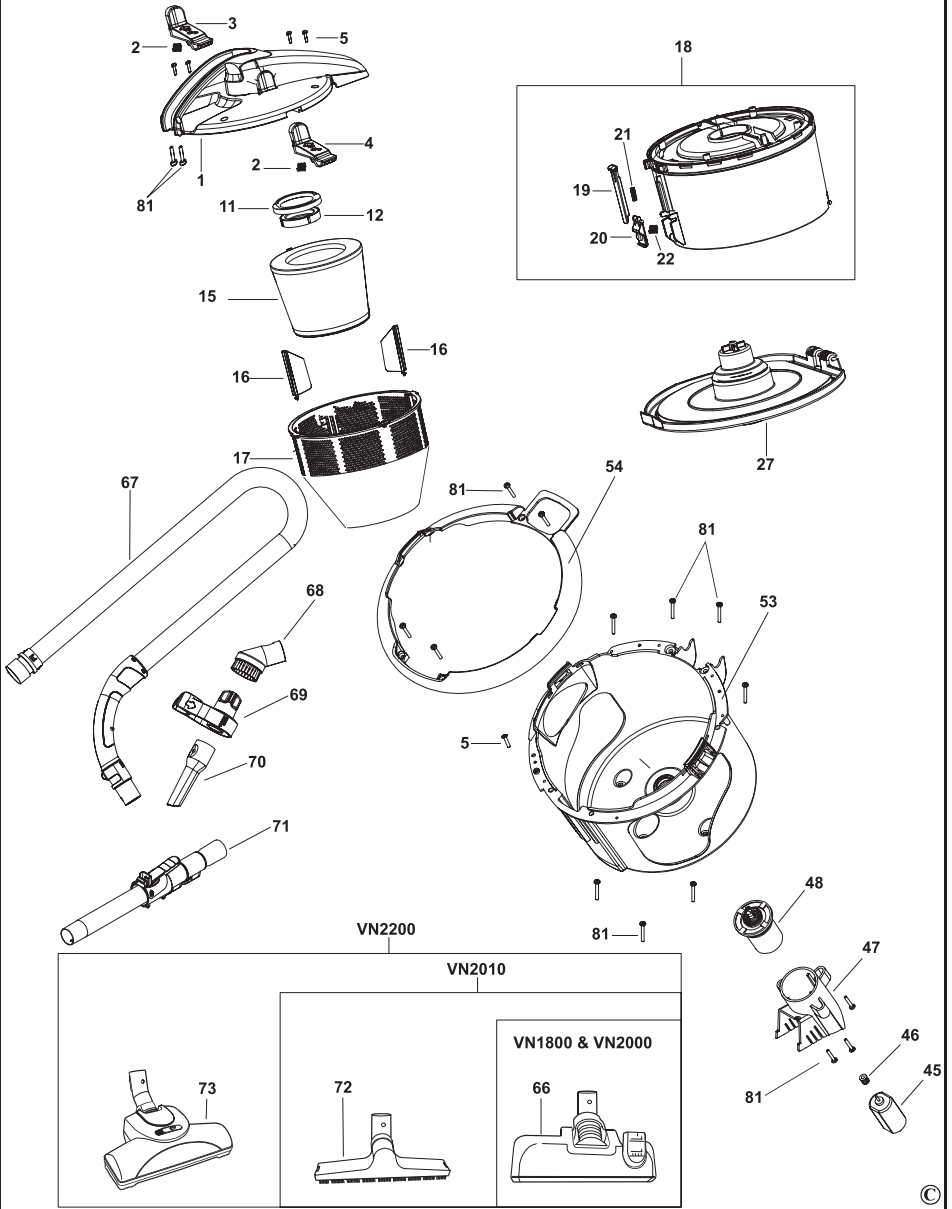
Bir Black & Decker ürünü, satın alma tarihinden itibaren 24 ay içinde hatalı malzeme, işçilik ya da standartlara uygun olmama nedeniyle bozulursa, Black & Decker arızalı parçaların değiştirilmesi, makul ölçüde aşınmış ve yıpranmış ürünlerin onarılması ya da bu ürünlerin müşteri için sağlanabilecek en uygun koşullarda değiştirilmesi garantisini vermektedir. Aşağıda belirtilen koşullar garanti kapsamında değildir:

- ◆ Ürün ticari, mesleki amaçlarla ya da kiralama amacıyla kullanılmışsa.
- ◆ Ürün yanlış ya da dikkatsiz kullanılmışsa.
- ◆ Yabancı nesnelere, maddelere ya da kazayla ürüne zarar verilmişse.
- ◆ Black & Decker yetkili servisleri ya da servis elemanları dışındaki kişilerce onarılmaya çalışılmışsa.

Garanti kapsamında talepte bulunmak için satıcıya ya da yetkili servise faturanızı göstermeniz gerekmektedir. Bu kılavuzda adresi bulunan yerel Black & Decker bürosuyla bağlantı kurarak size en yakın yetkili servisin yerini öğrenebilirsiniz. Ayrıca, yetkili Black & Decker servislerinin listesini, satış sonrası hizmetlerine ilişkin tüm ayrıntıları ve bağlantı bilgilerini:

www.2helpU.com adresindeki İnternet sitesinden edinebilirsiniz.

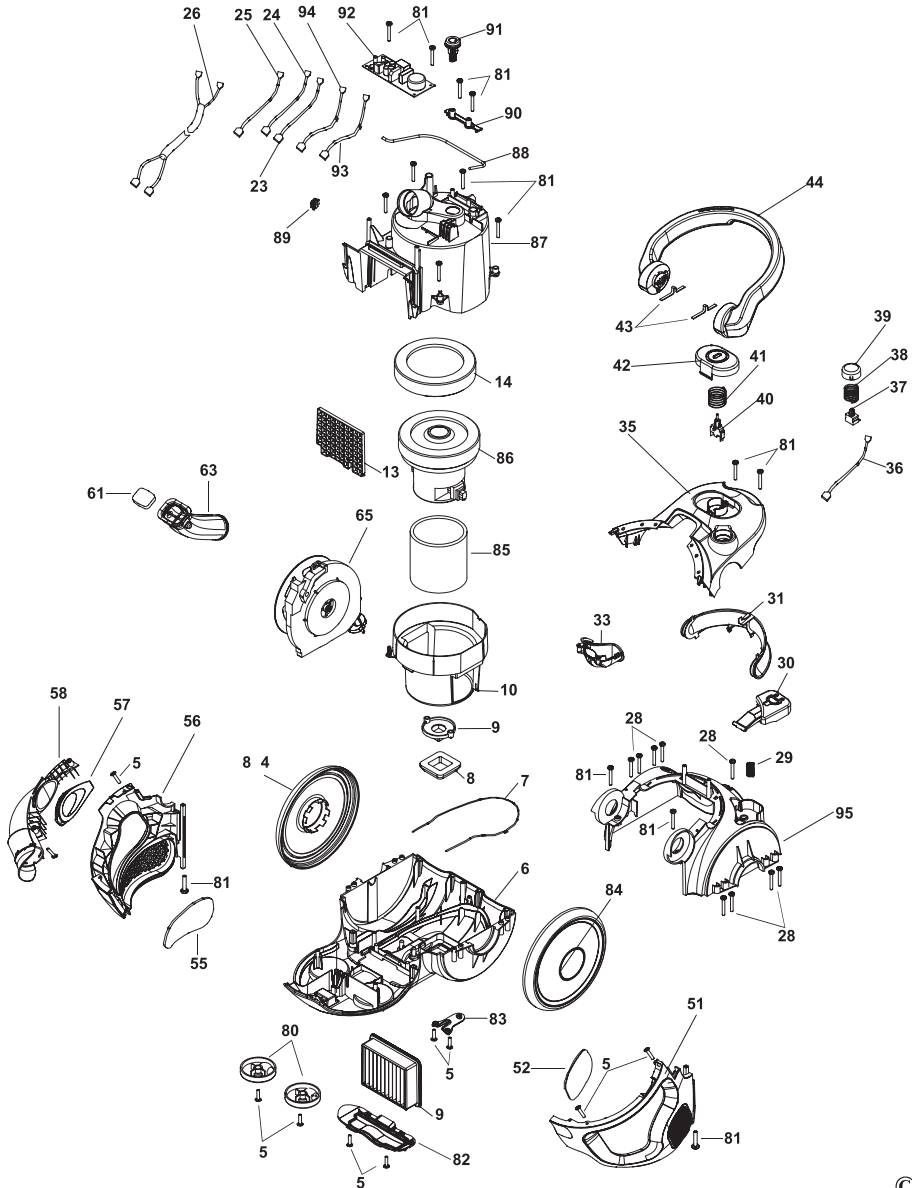
Satın aldığınız Black & Decker ürününü kaydettirmek, yeni ürünlerden haberdar edilmek ve özel fırsatlardan yararlanmak için lütfen **www.blackanddecker.co.uk** adresindeki İnternet sitemizi ziyaret ediniz. Black & Decker markasına ve ürün çeşitlerimize ilişkin daha ayrıntılı bilgiyi **www.blackanddecker.co.uk** adresinden edinebilirsiniz.



VN2200

VN2010

VN1800 & VN2000



Australia	Black & Decker (Australia) Pty. Ltd. 20 Fletcher Road, Mooroolbark, Victoria, 3138	Tel. 03-8720 5100 Fax 03-9727 5940
België/Belgique	Black & Decker (Belgium) N.V. Campus Noord, Schaliënhoevedreef 20E 2800 Mechelen	Tel. 015 - 47 92 11 Fax 015 - 47 92 10
Danmark	Black & Decker Sluseholmen 2-4, 2450 København SV Internet: www.blackanddecker.dk	Tel. 70 20 15 30 Fax 36 94 49 01
Deutschland	Black & Decker GmbH Black & Decker Str. 40, D - 65510 Idstein	Tel. 06126/21 - 0 Fax 06126/21 29 80
Ελλάδα	Black & Decker (Ελλάς) A.E. Στράβωνος 7 & Λεωφ. Βουλιαγμένης 159 166 74 Γλυφάδα - Αθήνα	Τηλ. 210 8981616 Τηλ. 210 8982630 Φαξ Service 210 8983285
España	Black & Decker Ibérica, S.C.A. Parque de Negocios "Mas Blau" Edificio Muntadas, c/Bergadá, 1, Of. A6 08820 El Prat de Llobregat (Barcelona)	Tel. 934 797 400 Fax 934 797 419
France	Black & Decker (France) S.A.S. B.P. 21, 69571 Dardilly Cédex	Tel. 04 72 20 39 20 Fax 04 72 20 39 00
Helvetia	ROFO AG Gewerbezone Seeblick 3213 Kleinbösingen	Tel. 026-6749391 Fax 026-6749394
Italia	Black & Decker Italia SpA Viale Elvezia 2 20052 Monza (MI)	Tel. 039-23871 Fax 039-2387592/2387594 Numero verde 800-213935
Nederland	Black & Decker Benelux Joulehof 12, 4622 RG Bergen op Zoom	Tel. 0164 - 283000 Fax 0164 - 283100
New Zealand	Black & Decker 81 Hugo Johnston Drive Penrose, Auckland, New Zealand	Tel. 09 579 7600 Fax 09 579 8200
Norge	Black & Decker (Norge) A/S Postboks 4814, Nydalen, 0422 Oslo Internet: www.blackanddecker.no	Tlf. 22 90 99 00 Fax 22 90 99 01
Österreich	Black & Decker Vertriebsges.m.b.H Erlaaerstraße 165, 1231 Wien	Tel. 01 66116-0 Fax 01 66116-14
Portugal	Black & Decker Rua Egas Moniz 173 S. João do Estoril 2766-651 Estoril	Tel. 214667500 Fax 214667575
Suomi	Black & Decker Oy Keilasatama 3, 02150 Espoo Black & Decker Oy, Kägelhamnen 3, 02150 Esbo	Puh.: 010 400 430 Faksi: (09) 2510 7100 Tel: 010 400 430 Fax: (09) 2510 7100
Sverige	Black & Decker AB Fabriksg. 7, 412 50 Göteborg	Tel: 031-68 60 60 Fax: 031-68 60 80
Türkiye	İntratek Mühendislik ve Dış Tic. A.Ş. Ortaklar Cad. No:19/2 80290 Mecidiyeköy / İstanbul	Tel. 0212 211 22 10 Faks 0212 266 33 03
United Kingdom	Black & Decker 210 Bath Road Slough, Berkshire SL1 3YD	Tel. 01753 511234 Fax 01753 551155 Helpline 01753 574277
Middle East & Africa	Black & Decker (Overseas) A.G. PB 5420, Dubai, United Arab Emirates	Tel. +971 4 2826464 Fax +971 4 2826466

Dealer address
Händleradresse
Cachet du revendeur
Indirizzo del rivenditore
Adres van de dealer
Dirección del detallista
Morada do revendedor
Återförärljarens adress
Forhandlens adresse
Forhandler adresse
Jälleenmyyjän osoite
Διεύθυνση αντιπροσώπου

◆ Name ◆ Nom ◆ Nome
◆ Neam ◆ Nombre ◆ Nome ◆ Namn
◆ Navn ◆ Navn ◆ Nimi ◆ Oνομα:

◆ Address ◆ Adresse ◆ Adresse ◆ Indirizzo ◆
Adres ◆ Dirección ◆ Morada ◆ Address ◆
Adresse ◆ Adresse ◆ Osoite ◆ Διεύθυνση:

◆ Town ◆ Ort ◆ Ville ◆ Città ◆ Plaats
◆ Ciudad ◆ Localidade ◆ Ort ◆ By ◆ By
◆ Paikkakunta ◆ Πόλη:

◆ Postal code ◆ Postleitzahl ◆ Code postal ◆
Codice postale ◆ Postcode
◆ Código ◆ Código postal ◆ Postnr.
◆ Postnr. ◆ Postnr. ◆ Postnummero
◆ Κωδικός

◆ Is this tool a gift? ◆ Ist dieses Gerät ein
Geschenk? ◆ S'agit-il d'un cadeau? ◆ Si tratta
di un regalo? ◆ Kreeg u de machine als cadeau?
◆ ¿Ha recibido usted esta herramienta como
regalo? ◆ Recebeu esta ferramenta como
presente? ◆ Är verktyget en gåva?
◆ Er verkøyet en gave? ◆ Er verkjøpet en gave?
◆ Onko kone lahja? ◆ Το εργαλείο είναι δώρο?

◆ Yes ◆ Ja ◆ Oui ◆ Si ◆ Ja ◆ Si ◆
◆ Sim ◆ Ja ◆ Ja ◆ Ja ◆ Kyllä ◆ Nαι

◆ No ◆ Nein ◆ Non ◆ No ◆ Nee
◆ No ◆ Não ◆ Nej ◆ Nei ◆ Nej
◆ Ei ◆ Oχι

◆ Is this tool your first purchase? ◆ Ist dieses
Gerät ein Erstkauf? ◆ Est-ce un 1er achat? ◆
Questo prodotto è il suo primo acquisto? ◆ Is
deze machine uw eerste aankoop? ◆ ¿Es esta
herramienta la primera de este tipo?
◆ Esta ferramenta é a sua primeira compra? ◆
Ar detta ditt första B&D-verktyg? ◆ Er dette ditt
første B&D verktoy? ◆ Er dette ditt første B&D-
verktøj? ◆ Onko tämä ensimmäinen B&D-

Date of purchase
Kaufdatum
Date d'achat
Data d'acquisto
Aankoopdatum
Fecha de compra
Data de compra
Inkõpsdatum
Imkjõpsdato
Indkøbsdato
Ostöpäivä
Ημερομηνία αγοράς

koneesi? ◆ Είναι το εργαλείο αυτό η
πρώτη σας αγορά?

◆ Yes ◆ Ja ◆ Oui ◆ Si ◆ Ja ◆ Si
◆ Sim ◆ Ja ◆ Ja ◆ Ja ◆ Kyllä ◆ Nαι

◆ No ◆ Nein ◆ Non ◆ No ◆ Nee
◆ No ◆ Não ◆ Nej ◆ Nei ◆ Nej
◆ Ei ◆ Oχι

◆ Dealer address ◆ Händleradresse
◆ Cachet du revendeur ◆ Indirizzo del
rivenditore ◆ Adres van de dealer
◆ Dirección del detallista ◆ Morada do
revendedor ◆ Återförärljarens adress
◆ Forhandlens adresse ◆ Forhandler adresse
◆ Jälleenmyyjän osoite
◆ Διεύθυνση αντιπροσώπου

Cat. no.:



Date of purchase
Kaufdatum
Date d'achat
Data d'acquisto
Aankoopdatum
Fecha de compra
Data de compra
Inkõpsdatum
Imkjõpsdato
Indkøbsdato
Ostöpäivä
Ημερομηνία αγοράς

◆

◆ Data protection act: Tick the box if you prefer
not to receive further information. ◆ Bitte
ankreuzen, falls Sie keine weiteren
Informationen erhalten möchten. ◆ Si vous ne
souhaitez pas recevoir d'informations, cochez
cette case. ◆ Barrate la casella se non
desiderate ricevere informazioni.
◆ A.u.b. dit vakje aankruisen indien u geen
informatie wenst te ontvangen.

◆ Señale en la casilla sino quiere recibir
información. ◆ Por favor, assmale com uma cruz
se não desejar receber informação. ◆ Vänligen
kryssa för i rutan om Ni inte vill ha information.
◆ Venligst kryss av dersom du ikke ønsker
informasjon. ◆ Venligst sæt kryds i ruden
såfremt De ikke måtte ønske at modtage
information.

◆ Merkitkää rasti ruutuun, mikäli ette halua
vastaanottaa informaatiota.
◆ Παρακαλείστε να σημειώσετε εάν δεν θέλετε
να πάρετε πληροφορίες.

- ◆ GUARANTEE CARD
- ◆ GARANTIEKAART
- ◆ GARANTI KORT
- ◆ GARANTIEKARTE
- ◆ TARJETA DE GARANTIA
- ◆ GARANTI KORT
- ◆ CARTE DE GARANTIE
- ◆ CARTAO DE GARANTIA
- ◆ TAKUKUKORTTI
- ◆ TAGLIANDO DI GARANZIA
- ◆ GARANTIBEVIS
- ◆ KAPTA EFTYHSHZ



English

Please complete this section immediately after the purchase of your tool and send it to Black & Decker in your country. If you live in Australia or New Zealand, please register by using the alternative guarantee card supplied.

Deutsch

Bitte schneiden Sie diesen Abschnitt ab, stecken ihn in einen frankierten Umschlag und schicken ihn an die Black & Decker Adresse Ihres Landes.

Français

Découpez cette partie et envoyez-la sous enveloppe timbrée à l'adresse de Black & Decker dans votre pays, ceci immédiatement après votre achat.

Italiano

Per favore ritagliate questa parte, inseritela in una busta con francobollo e spediteola subito dopo l'acquisto del prodotto all'indirizzo della Black & Decker nella vostra nazione.

Nederlands

Knip dit gedeelte uit en zend het direct na aankoop in een gefrankeerde, geaddresseerde envelop naar het adres van Black & Decker in uw land.

Español

Después de haber comprado su herramienta envíe usted, por favor, esta tarjeta a la central de Black & Decker en su país.

Português

Por favor, recorte esta parte, coloque-a num envelope selado e enderegado e envie-o logo após a compra do seu produto para o endereço da Black & Decker do seu país.

Svenska

Var vänlig klipp ur denna del och sänd den i ett frankerat kuvert till Black & Deckers adress i Ditt land.

Norsk

Vennligst klipp ut denne delen umiddelbart etter du har pakket ut ditt produkt og legg det i en adressert konvolutt til Black & Decker (Norge) A/S.

Dansk

Venligst klip denne del ud og send frankeret til Black & Decker i dit land.

Suomi

Leikkää iri tämä osa, laita se kuoreen ja postita kuori paikalliseen Black & Decker osoitteeseen.

Ελληνικά

Παράκατω κόψτε αυτό το κομμάτι και τοχυλοποιήσατε το quéσως μετά την αγορά του προϊόντος σας στην διεύθυνση της Black & Decker στην Ελλάδα.