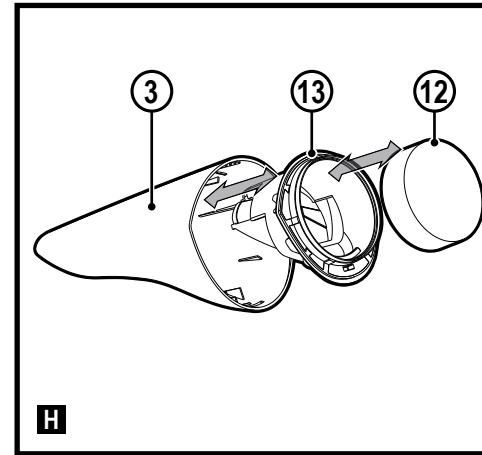
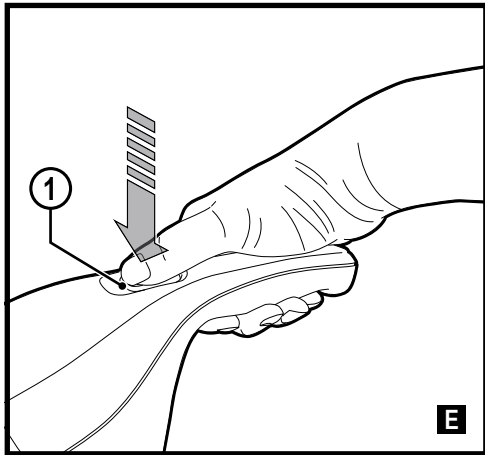
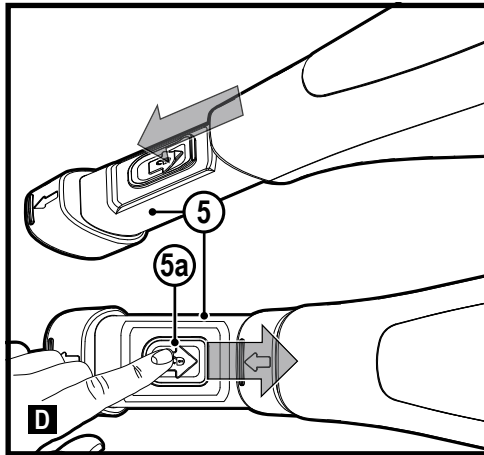
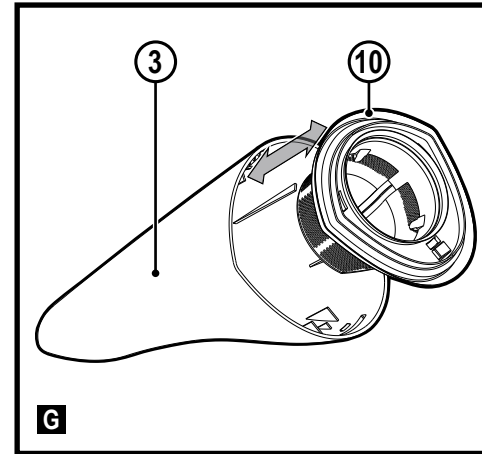
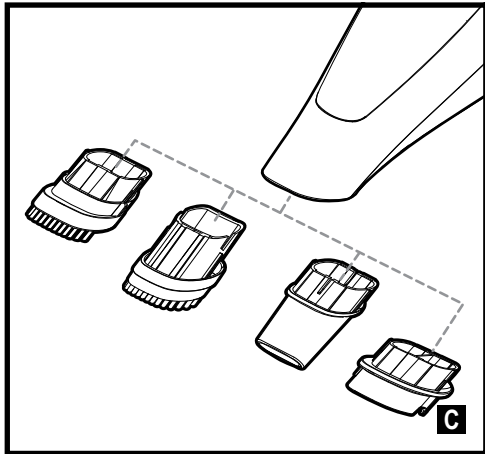
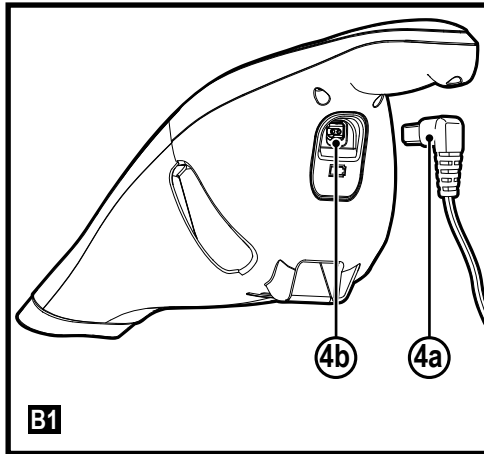
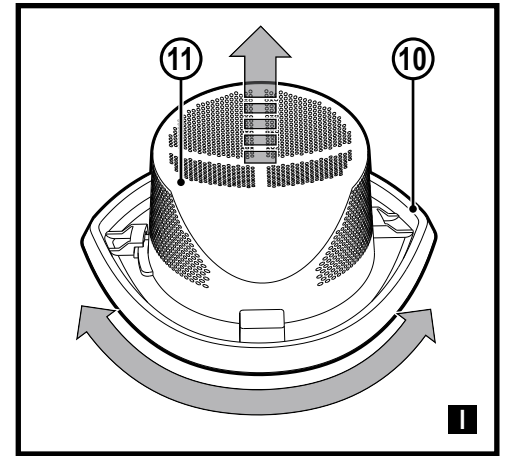
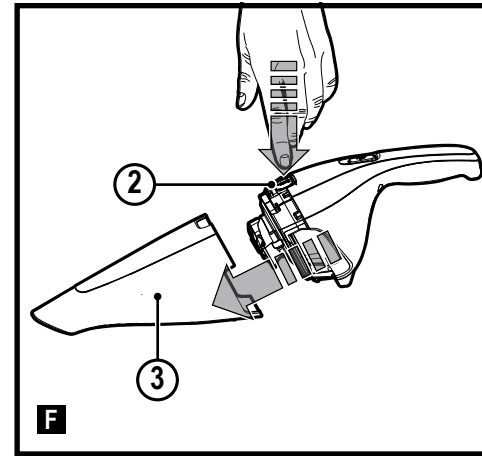
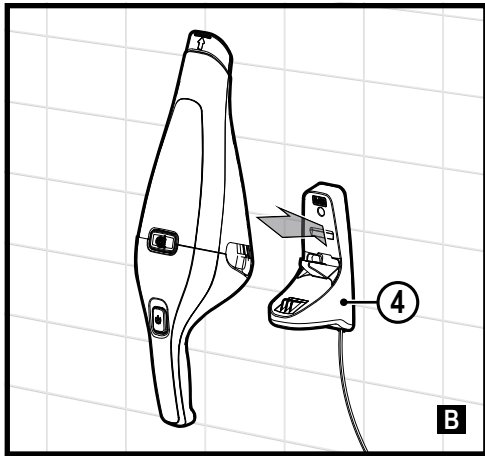
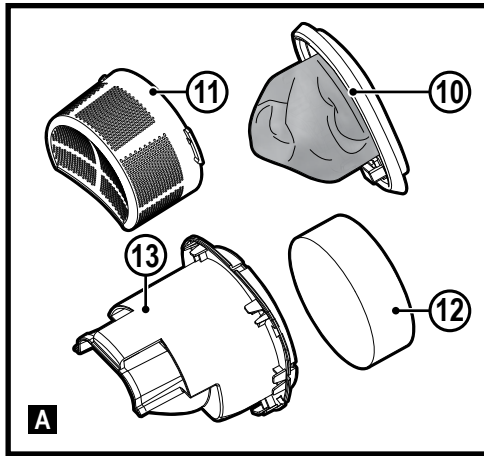


NVC115JL
NVC115W
NVC115WA
NVC215W
NVC215WA
NVC220WC
WDC115WA
WDC215WA



Intended use

Your BLACK + DECKER Dustbuster® handheld vacuum cleaner has been designed for light dry vacuum cleaning purposes (NVC115JL, NVC115W, NVC115WA, NVC215W, NVCW215WA, NVC220WC). This appliance is intended for household use only.

Your BLACK + DECKER Dustbuster® handheld vacuum cleaner has been designed for light wet and dry vacuum cleaning purposes (WDC115WA, WDC215WA). This appliance is intended for household use only.

Safety instructions

Warning! Read all safety warnings and all instructions.

Failure to follow the warnings and instructions listed below may result in electric shock, fire and/or serious injury.

Warning! When using battery-powered appliances, basic safety precautions, including the following, should always be followed to reduce the risk of fire, leaking batteries, personal injury and material damage.

- ◆ Read all of this manual carefully before using the appliance.

- ◆ The intended use is described in this manual. The use of any accessory or attachment or the performance of any operation with this appliance other than those recommended in this instruction manual may present a risk of personal injury.
- ◆ Retain this manual for future reference.

Using your appliance

- ◆ Do not use the appliance to pick up liquids or any materials that could catch fire.
- ◆ Do not use the appliance near water.
- ◆ Do not immerse the appliance in water.
- ◆ Never pull the charger lead to disconnect the charger from the socket. Keep the charger lead away from heat, oil and sharp edges.
- ◆ This appliance can be used by children aged from 8 years and above and persons with reduced physical, sensory or mental capabilities or lack of experience and knowledge if they have been given supervision or instruction concerning use of the appliance in a safe way and understand the hazards involved. Children shall not play with the appliance. Cleaning and user maintenance shall not be made by children without supervision.

Inspection and repairs

- ◆ Before use, check the appliance for damaged or defective parts. Check for breakage of parts, damage to switches

and any other conditions that may affect its operation.

- ◆ Do not use the appliance if any part is damaged or defective.
- ◆ Have any damaged or defective parts repaired or replaced by an authorized repair agent.
- ◆ Regularly check the charger lead for damage. Replace the charger if the lead is damaged or defective.
- ◆ Never attempt to remove or replace any parts other than those specified in this manual.

Additional safety instructions

Residual risks

Additional residual risks may arise when using the tool which may not be included in the enclosed safety warnings. These risks can arise from misuse, prolonged use etc.

Even with the application of the relevant safety regulations and the implementation of safety devices, certain residual risks can not be avoided. These include:

- ◆ Injuries caused by touching any moving parts.
- ◆ Injuries caused by touching any hot parts.
- ◆ Injuries caused when changing any parts or accessories.
- ◆ Injuries caused by prolonged use of the appliance. When using any appliance for prolonged periods ensure you take regular breaks.

Batteries and chargers

Batteries

- ◆ Never attempt to open for any reason.
- ◆ Do not expose the battery to water.
- ◆ Do not expose the battery to heat.
- ◆ Do not store in locations where the temperature may exceed 40°C.
- ◆ Charge only at ambient temperatures between 10°C and 40°C.
- ◆ Charge only using the charger provided with the appliance/tool. Using the wrong charger could result in an electric shock or overheating of the battery.
- ◆ When disposing of batteries, follow the instructions given in the section "Protecting the environment".
- ◆ Do not damage/deform the battery pack either by puncture or impact, as this may create a risk of injury and fire.
- ◆ Do not charge damaged batteries.
- ◆ Under extreme conditions, battery leakage may occur. When you notice liquid on the batteries carefully wipe the liquid off using a cloth. Avoid skin contact.
- ◆ In case of skin or eye contact, follow the instructions below.

Warning! The battery fluid may cause personal injury or damage to property. In case of skin contact, immediately rinse with water. If redness, pain or irritation occurs seek medical attention. In case of eye contact, rinse immediately with clean water and seek medical attention.

Chargers

Your charger has been designed for a specific voltage. Always check that the mains voltage corresponds to the voltage on the rating plate and the information in the technical data table.

Warning! Never attempt to replace the charger unit with a regular mains plug.

- ◆ Use your BLACK+DECKER charger only to charge the battery in the appliance/tool with which it was supplied. Other batteries could burst, causing personal injury and damage.
- ◆ Never attempt to charge nonrechargeable batteries.
- ◆ If the supply cord is damaged, it must be replaced by the manufacturer or an authorised BLACK+DECKER Service Centre in order to avoid a hazard.
- ◆ Do not expose the charger to water.
- ◆ Do not open the charger.
- ◆ Do not probe the charger.
- ◆ The appliance/tool/battery must be placed in a well ventilated area when charging.

Electrical safety

Your charger has been designed for a specific voltage. Always check that the mains voltage corresponds to the voltage on the rating plate. Never attempt to replace the charger unit with a regular mains plug.

Symbols on the charger



Read all of this manual carefully before using the appliance.

This tool is double insulated; therefore no earth wire is required. Always check that the power supply corresponds to the voltage on the rating plate.

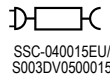


The charging base is intended for indoor use only.



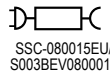
Labels on appliance

The following symbols appear on this appliance along with the date code:



SSC-040015EU/
S003BDV0500015

NVC115JL/NVC115W/NVC115WA/
WDC115WA Only use with charger
SSC-040015EU/ S003BDV0500015



SSC-080015EU/
S003BEV0800015

NVC215W/NVC215WA/NVC220WC/
WDC215WA Only use with charger
SSC-080015EU/ S003BEV0800015

Features

This tool includes some or all of the following features.

1. On/off switch
2. Bowl release button
3. Dust bowl
4. Charger base (NVC115W, NVC115WA, NVC215W, NVC215WA, NVC220WC, WDC115WA, WDC215WA units only).
- 4a. Charger jack plug (NVC115JL unit only).
5. Retractable crevice tool (NVC215W, NVC215WA and NVC220WC Only)
6. Brush tool (NVC115WA, NVC215WA, NVC220WC, WDC115WA and WDC215WA Only)
7. Crevice tool (NVC115WA Only)
8. Squeegee (WDC115WA and WDC215WA units Only)

Fig. A

10. Dry pick up cloth filter (NVC units Only)
11. Pre-filter (NVC units Only)
12. Wet/Dry foam insert (WDC units Only)
13. Wet/Dry deflector (WDC units Only)

Installation

Wall Mounting (NVC115W, NVC115WA, NVC215W, NVC215WA, NVC220WC, WDC115WA, WDC215WA units only). (fig. B)

The product can be attached to a wall to provide a convenient storage and charging point for the appliance.

When fixing to a wall, make sure that the fixing method is suitable for the wall type and is appropriate to the weight of the appliance.

- ◆ Mark the location of the screw holes (within reach of an electrical outlet for charging the vac while it is on the wall bracket).
- ◆ Fix the mounting bracket to the wall using appropriate screws and plugs for the type of wall and weight of the appliance.
- ◆ Hang the appliance on the wall by placing the opening on the base of the vac over the hook in the wall mount charging bracket.

Assembly

Accessories (fig. C)

These models may be supplied with some of the following accessories:

- ◆ A squeegee tool (9) for wet use on hard surfaces.
- ◆ A brush tool (6) for furniture and stairs.
- ◆ A crevice tool (8) for confined spaces.
- ◆ A pet brush tool (7) for pet hair removal.

Note: Never use the pet brush tool directly on a pet.

Fitting (Fig. C)

- ◆ Insert the appropriate accessory into the front of the appliance. Make sure that the accessory is pushed fully in.

Retractable crevice tool (NVC215W, NVC215WA and NVC220WC units only) (Fig. D)

- ◆ Extend the crevice tool (5) as shown in figure D, until it clicks in place.
- ◆ To retract the crevice tool, push down on the button (5a) and slide back into the dust bowl (3) as shown in figure D.

Use

- ◆ Before first use, the battery must be charged for at least 24 hours.

Warning! Before charging, be sure to empty all liquid contents and dry thoroughly, to avoid damage to your appliance.

Charging the battery via charger base (NVC115W, NVC115WA, NVC215W, NVC215WA, NVC220WC, WDC115WA, WDC215WA units only) (Fig. B)

- ◆ Make sure that the appliance is switched off. The battery will not be charged with the on/off switch (1) pressed.
- ◆ Place the appliance on the charging bracket (4).
- ◆ Plug in the charger. Switch on at the mains.
- ◆ Leave the appliance to charge for at least 21 hours.

While charging, the charger may become warm. This is normal and does not indicate a problem. The appliance can be left connected to the charger indefinitely.

Warning! Do not charge the battery at ambient temperatures below 10 °C or above 40 °C.

Charging the battery via charger jack plug (NVC115JL unit only) (Fig. B1)

- ◆ Make sure that the appliance is switched off. The battery will not be charged with the on/off switch (1) pressed.
- ◆ Insert the charger jack plug (4a) into the charging port (4b).
- ◆ Plug in the charger. Switch on at the mains.
- ◆ The LED indicator will light up.
- ◆ Leave the appliance to charge for at least 21 hours.

While charging, the charger may become warm. This is normal and does not indicate a problem. The appliance can be left connected to the charger indefinitely.

Warning! Do not charge the battery at ambient temperatures below 10 °C or above 40 °C.

Switching on and off (fig. E)

- ◆ To switch the appliance on, press and hold the on/off switch (1).
- ◆ To switch the appliance off, release on/off switch (1).

Dry pick up (NVC units Only)

- ◆ For everyday spills of dry material.

Warning! Never pick up wet applications with these units.

Wet and dry pick up (WDC units Only)

- ◆ For everyday spills of dry material, use your appliance without the squeegee accessory.

Warning! Your product is designed for light spills only.

- ◆ This appliance can also be used to pick up everyday liquid spills. Use the squeegee accessory on non-absorbent, hard surfaces. On absorbent surfaces, such as carpet, your appliance will pick up wet spills better without the accessory.
- ◆ For best performance on hard surface wet pickups, insert squeegee into the bowl nozzle opening.
- ◆ For best results when using this accessory, hold the appliance at an angle of 45° and pull it slowly towards you.
- ◆ Do not fill the bowl beyond the end of the intake chute. If there is any liquid in the bowl, do not turn the unit upside down, sideways, point the nozzle upward, or shake the vac excessively.
- ◆ After picking up liquid substances clean the appliance and filter immediately. Mold and mildew may form if the unit is not properly cleaned after wet pickups.
- ◆ Before charging, be sure to empty all liquid contents and dry thoroughly, to avoid damage to your appliance.

Optimising the suction force

In order to keep the suction force optimised, the filters must be cleared regularly during use.

Emptying and cleaning the product

Removing the dust bowl and filters (fig. F & G).

Warning! The filters are re-usable and should be cleaned regularly.

- ◆ Press the bowl release button (2) and pull the dust bowl (3) straight off.
- ◆ While holding the dust bowl over a bin or sink, pull out the filter to empty the contents of the bowl.
- ◆ To replace the dust bowl, place it back onto the handle until it "clicks" firmly into position.

Warning! Never use the appliance without the filters. Optimum dust collection will only be achieved with clean filters.

Foam insert (fig. H) (WDC units Only)

- ◆ Place the foam insert (12) into the centre of the wet/dry deflector (13).

Warning! Never use the appliance for wet applications without the water deflector and foam insert fitted.

Pre-filter (fig. I) (NVC units Only)

The Filter and pre-filter can be separated to allow better cleaning.

- ◆ Twist the pre-filter (11) in an anti-clockwise direction and lift from the filter (10).

Warning! Never pick up wet applications with these units.

Cleaning the dust bowls and filters

- ◆ The dust bowls and filters can be washed in warm soapy water.
- ◆ Make sure that the filters and the dust bowl are dry before re-fitting.

Replacing the filters

The filters should be replaced every 6 to 9 months and whenever worn or damaged.

Replacement filters are available from your BLACK+DECKER dealer:

Maintenance

Your BLACK+DECKER corded/cordless appliance/tool has been designed to operate over a long period of time with a minimum of maintenance. Continuous satisfactory operation depends upon proper tool care and regular cleaning.

Warning! Before performing any maintenance on corded/cordless power tools:

- ◆ Switch off and unplug the appliance/tool.
- ◆ Or switch off and remove the battery from the appliance/tool if the appliance/tool has a separate battery pack.
- ◆ Or run the battery down completely if it is integral and then switch off.
- ◆ Unplug the charger before cleaning it. Your charger does not require any maintenance apart from regular cleaning.

- ◆ Regularly clean the ventilation slots in your appliance/tool/charger using a soft brush or dry cloth.
- ◆ Regularly clean the motor housing using a damp cloth. Do not use any abrasive or solvent-based cleaner.

Protecting the environment



Separate collection. Products and batteries marked with this symbol must not be disposed of with normal household waste.

Produkte und Akkus enthalten Materialien, die wiederverwertet werden können, um den Bedarf an Rohstoffen zu verringern. Bitte recyceln Sie elektrische Produkte und Akkus gemäß den örtlichen Bestimmungen. Weitere Informationen finden Sie auf www.2helpU.com

Technical data

	NVC115JL (H1) NVC115W (H1) NVC115WA (H1) WDC115WA (H1)	NVC215W (H1) NVC215WA (H1) NVC220WC (H1) WDC215WA (H1)
Voltage (V)	3.6	7.2
Battery	Li-Ion	Li-Ion
Weight (Kg)	0.53	0.67
Charger	SSC-040015EU/ S003BDV0500015	SSC-080015EU/ S003BEV0800015
Input Voltage (V _{in})	100 - 240	100 - 240
Output Voltage (V)	4	8.25
Current (mA)	150	150
Approx charge time	10	10

Garantie

Black & Decker is confident of the quality of its products and offers consumers a 24 month guarantee from the date of purchase. This guarantee is in addition to and in no way prejudices your statutory rights. The guarantee is valid within the territories of the Member States of the European Union and the European Free Trade Area.

To claim on the guarantee, the claim must be in accordance with Black&Decker Terms and Conditions and you will need to submit proof of purchase to the seller or an authorised repair agent. Terms and conditions of the Black&Decker 2 year guarantee and the location of your nearest authorised repair agent can be obtained on the Internet at www.2helpU.com, or by contacting your local Black & Decker office at the address indicated in this manual.

Please visit our website www.blackanddecker.co.uk to register your new Black & Decker product and receive updates on new products and special offers.

Verwendungszweck

Der Handstaubsauger BLACK + DECKER Dustbuster® wurde zum Saugen von leichtem, trockenem Schmutz entwickelt (NVC115JL, NVC115W, NVC115WA, NVC215W, NVCW215WA, NVC220WC). Dieses Gerät ist nicht für den gewerblichen Einsatz vorgesehen.

Der Handstaubsauger BLACK + DECKER Dustbuster® wurde zum Saugen von feuchtem und trockenem leichtem Schmutz entwickelt (WDC115WA, WDC215WA). Dieses Gerät ist nicht für den gewerblichen Einsatz vorgesehen.

Sicherheitshinweise



Warnung! Lesen Sie alle Sicherheitswarnhinweise und alle Anweisungen. Die Nichteinhaltung der folgenden Warnungen und Anweisungen kann einen elektrischen Schlag, Brand und/oder schwere Verletzungen verursachen.



Warnung! Beachten Sie beim Umgang mit akkubetriebenen Geräten stets die grundlegenden Sicherheitshinweise, einschließlich der folgenden. Dadurch verhindern Sie weitgehend das Entstehen von Bränden, das Auslaufen von Akkus sowie Sach- und Personenschäden.

- ◆ Lesen Sie diese Anleitung vollständig und aufmerksam durch, bevor Sie das Gerät verwenden.
- ◆ Der vorgesehene Verwendungszweck ist in dieser Anleitung beschrieben. Bei Verwendung von Zubehör oder Anbauteilen, die nicht in dieser Anleitung empfohlen werden, sowie bei der Verwendung des Geräts in Abweichung von den in dieser

Anleitung beschriebenen Verfahren besteht Verletzungsgefahr.

- ◆ Bewahren Sie diese Anleitung auf.
- ### Verwendung des Geräts
- ◆ Benutzen Sie das Gerät nicht zum Aufsaugen von Flüssigkeiten oder entzündlichen Materialien.
 - ◆ Betreiben Sie das Gerät nicht in der Nähe von Wasser.
 - ◆ Tauchen Sie das Gerät nicht in Wasser.
 - ◆ Ziehen Sie das Ladegerät nicht am Kabel aus der Netzsteckdose. Achten Sie darauf, dass das Kabel des Ladegeräts nicht in Kontakt mit starker Hitze, Öl oder scharfen Gegenständen kommt.
 - ◆ Dieses Gerät darf von Kindern ab 8 Jahren und Personen mit eingeschränkten körperlichen, sensorischen oder geistigen Fähigkeiten sowie mangelnder Erfahrung und Wissen in Bezug auf dessen Gebrauch bedient werden, wenn sie bei der Verwendung des Geräts beaufsichtigt oder angeleitet werden und die möglichen Gefahren verstehen. Kinder dürfen nicht mit dem Gerät spielen. Reinigung und Wartungsarbeiten dürfen von Kindern nur unter Aufsicht durchgeführt werden.

Inspektion und Reparaturen

- ◆ Prüfen Sie das Gerät vor der Verwendung auf beschädigte oder defekte Teile. Prüfen Sie, ob Teile gebrochen sind, Schalter beschädigt sind oder

andere Bedingungen vorliegen, welche die Funktion beeinträchtigen könnten.

- ◆ Betreiben Sie das Gerät nicht, wenn Teile beschädigt oder defekt sind.
- ◆ Lassen Sie beschädigte oder defekte Teile in einer Vertragswerkstatt reparieren oder austauschen.
- ◆ Überprüfen Sie das Ladegerätkabel in regelmäßigen Abständen auf Beschädigungen. Tauschen Sie das Ladegerät aus, wenn das Kabel beschädigt oder defekt ist.
- ◆ Ersetzen oder entfernen Sie keine Teile, für die in dieser Anleitung keine entsprechende Beschreibung enthalten ist.

Zusätzliche Sicherheitshinweise

Restrisiken

Beim Gebrauch dieses Geräts verbleiben zusätzliche Restrisiken, die möglicherweise nicht in den Sicherheitswarnungen genannt werden. Diese Risiken bestehen beispielsweise bei Missbrauch oder längerem Gebrauch.

Auch bei der Einhaltung der entsprechenden Sicherheitsvorschriften und der Verwendung aller Sicherheitsgeräte bestehen weiterhin bestimmte Restrisiken. Diese sind:

- ◆ Verletzungen, die durch das Berühren von sich bewegenden Teilen verursacht werden.
- ◆ Verletzungen, die durch das Berühren von erhitzten Teilen verursacht werden.

- ◆ Verletzungen, die durch das Austauschen von Teilen oder Zubehör verursacht werden.
- ◆ Verletzungen, die durch längeren Gebrauch des Geräts verursacht werden. Legen Sie bei längerem Gebrauch regelmäßige Pausen ein.

Akkus und Ladegeräte

Akkus

- ◆ Keinesfalls versuchen, den Akku zu öffnen.
- ◆ Achten Sie darauf, dass der Akku nicht mit Wasser in Berührung kommt.
- ◆ Setzen Sie den Akku keinen hohen Temperaturen aus.
- ◆ Nicht bei Temperaturen über 40°C lagern.
- ◆ Laden Sie den Akku ausschließlich bei Umgebungstemperaturen zwischen 10 °C und 40 °C.
- ◆ Verwenden Sie ausschließlich das mit dem Gerät gelieferte Ladegerät. Das Verwenden eines falschen Ladegeräts kann zu einem Stromschlag oder dem Überhitzen des Akkus führen.
- ◆ Bei der Entsorgung von Akkus oder Batterien die Hinweise im Abschnitt "Umweltschutz" beachten.
- ◆ Der Akku darf nicht durch mechanische Krafteinwirkung oder Belastungen beschädigt oder verformt werden. Andernfalls besteht Verletzungs- und Brandgefahr.
- ◆ Laden Sie beschädigte Akkus nicht auf.

- ◆ Unter extremen Bedingungen können Akkus undicht werden. Wenn Sie feststellen, dass aus dem Akku Flüssigkeit austritt, wischen Sie diese vorsichtig mit einem Tuch ab. Vermeiden Sie Hautkontakt.
- ◆ Beachten Sie nach Haut- oder Augenkontakt die folgenden Hinweise.

Warnung! Batteriesäure kann Sach- oder Personenschäden verursachen. Spülen Sie die Säure bei Hautkontakt sofort mit Wasser ab. Suchen Sie einen Arzt auf, wenn sich auf der Haut Rötungen, Reizungen oder andere Irritationen zeigen. Spülen Sie das Auge nach Augenkontakt sofort mit sauberem Wasser aus, und suchen Sie einen Arzt auf.

Ladegeräte

Das Ladegerät ist für eine bestimmte Spannung ausgelegt. Stellen Sie sicher, dass die Netzspannung der auf dem Typenschild des Geräts und in der Tabelle mit den technischen Daten angegebenen Spannung entspricht.

Warnung! Ersetzen Sie das Ladegerät keinesfalls durch ein normales Netzkabel.

- ◆ Verwenden Sie das BLACK + DECKER Ladegerät nur für den Akku des Geräts, mit dem es geliefert wurde. Andere Akkus können platzen und Sachschäden oder Verletzungen verursachen.
- ◆ Versuchen Sie keinesfalls, nicht aufladbare Batterien zu laden.
- ◆ Bei einer Beschädigung des Netzkabels muss dieses durch den Hersteller oder eine BLACK+DECKER


Vertragswerkstatt ausgetauscht werden, um mögliche Gefahren zu vermeiden.


- ◆ Achten Sie darauf, dass das Ladegerät nicht mit Wasser in Berührung kommt.
- ◆ Versuchen Sie nicht, das Ladegerät zu öffnen.
- ◆ Nehmen Sie am Ladegerät keine Veränderungen vor.
- ◆ Beim Laden des Geräts/Akkus muss auf ausreichende Belüftung geachtet werden.


Elektrische Sicherheit

Das Ladegerät ist für eine bestimmte Spannung ausgelegt. Stellen Sie sicher, dass die Netzspannung der auf dem Typenschild des Geräts angegebenen Spannung entspricht. Ersetzen Sie das Ladegerät keinesfalls durch ein normales Netzkabel.

Symbole auf dem Ladegerät

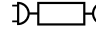
 Lesen Sie diese Anleitung vollständig und aufmerksam durch, bevor Sie das Gerät verwenden.

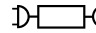
 Dieses Gerät ist schutzisoliert, daher ist keine Erdleitung erforderlich. Überprüfen Sie immer, dass die Stromversorgung der Spannung auf dem Typenschild entspricht.

 Die Ladestation darf nur im Innenbereich verwendet werden.

Warnsymbole am Gerät

Am Gerät befinden sich folgende Warnsymbole inkl. Datumscode:

 NVC115JL/NVC115W/NVC115WA/
WDC115WA Nur mit folgendem Ladegerät
verwenden:
SSC-040015EU/ S003BDV0500015

 NVC215W/NVC215WA/NVC220WC/
WDC215WA Nur mit folgendem Ladegerät
verwenden:
SSC-080015EU/ S003BEV0800015

Merkmale

Dieses Gerät verfügt über einige oder alle der folgenden Merkmale:

1. Ein-/Aus-Schalter
2. Entriegelungstaste für den Auffangbehälter
3. Staubbehälter
4. Ladestation (nur Modell NVC115W, NVC115WA, NVC215W, NVC215WA, NVC220WC, WDC115WA, WDC215WA).
- 4a. Stecker des Ladegeräts (nur Modell NVC115JL).
5. Einziehbare Fugendüse (nur NVC215W, NVC215WA, NVC220WC)
6. Bürste (nur NVC115WA, NVC215WA, NVC220WC, WDC115WA und WDC215WA)
7. Fugendüse (nur NVC115WA)
8. Gummiwischer (nur Modell WDC115WA und WDC215WA)

Abb. A

10. Stofffilter zum Trockensaugen (nur NVC-Geräte)
11. Vorfilter (nur NVC-Geräte)
12. Schaumstoffeinsatz zum Nass-/Trockensaugen (nur WDC-Geräte)
13. Deflektor zum Nass-/Trockensaugen (nur WDC-Geräte)

Installation

Wandmontage (nur Modell NVC115W, NVC115WA, NVC215W, NVC215WA, NVC220WC, WDC115WA, WDC215WA). (Abb. B)

Das Gerät kann so an einer Wand befestigt werden, dass ein bequem erreichbarer Ort zum Aufbewahren und Laden des Geräts zur Verfügung steht.

Achten Sie bei der Wandmontage darauf, dass die gewählten Befestigungsmittel für den jeweiligen Wandbaustoff geeignet sind und das Gerätegewicht tragen können.

- ◆ Markieren Sie die Position der Schraubenlöcher (in Reichweite einer Steckdose, damit der Staubsauger aufgeladen werden kann, während er an der Wand angebracht ist).
- ◆ Befestigen Sie die Aufhängvorrichtung mithilfe von für Wandtyp und Gerätegewicht geeigneten Schrauben und Dübeln an der Wand.

- ◆ Hängen Sie das Gerät an die Wand, indem Sie die Öffnung an der Unterseite des Staubsaugers auf den Haken an der Wandladehalterung setzen.

Montage

Zubehör (Abb. C)

Diese Modelle werden mit einigen oder allen der folgenden Zubehörteile ausgeliefert:

- ◆ Gummiwischer (9) zum Nasssaugen von harten Oberflächen.
- ◆ Bürstenaufsatz (6) für Möbel und Treppen.
- ◆ Fugendüse (8) für beengte Platzverhältnisse.
- ◆ Tierhaarbürste (7) zum Entfernen von Haustierhaaren.

Hinweis: Verwenden Sie die Tierhaarbürste niemals direkt an einem Tier.

Anbringen (Abb. C)

- ◆ Schieben Sie das Zubehörteil vorn in die Öffnung des Geräts ein. Achten Sie darauf, dass das Zubehörteil vollständig eingesetzt wird.

Einziehbare Fugendüse (nur Modell NVC215W, NVC215WA und NVC220WC) (Abb. D)

- ◆ Ziehen Sie die Fugendüse (5) wie in Abbildung D dargestellt heraus, bis sie einrastet.
- ◆ Um die Fugendüse einzuziehen, drücken Sie auf den Knopf (5a) und schieben sie wie in Abbildung D gezeigt in den Staubbehälter (3) zurück.

Verwendung

- ◆ Vor der erstmaligen Verwendung des Geräts muss der Akku mindestens 24 Stunden lang aufgeladen werden.

Warnung! Stellen Sie vor dem Laden sicher, dass sämtliche Flüssigkeit aus dem Gerät entfernt wurde, um Schäden am Gerät zu verhindern.

Aufladen des Akkus über die Ladestation (nur Modell NVC115W, NVC115WA, NVC215W, NVC215WA, NVC220WC, WDC115WA, WDC215WA) (Abb. B)

- ◆ Vergewissern Sie sich, dass das Gerät ausgeschaltet ist. Wenn der Ein-/Aus-Schalter (1) gedrückt wird, wird der Akku nicht geladen.
- ◆ Setzen Sie das Gerät in die Ladehalterung (4) ein.
- ◆ Schließen Sie das Ladegerät an eine Netzsteckdose an. Schalten Sie ggf. die Netzstromversorgung ein.
- ◆ Warten Sie mindestens 21 Stunden, damit der Akku vollständig aufgeladen wird.

Das Ladegerät kann sich während des Aufladens erwärmen. Dies ist normal und weist nicht auf ein Problem hin. Das Ladegerät kann beliebig lange am Gerät angeschlossen bleiben.

Warnung! Laden Sie den Akku nicht, wenn die Umgebungstemperatur unter 10 °C oder über 40 °C liegt.

Aufladen des Akkus über den Stecker des Ladegeräts (nur Modell NVC115JL) (Abb. B1)

- ◆ Vergewissern Sie sich, dass das Gerät ausgeschaltet ist. Wenn der Ein-/Aus-Schalter (1) gedrückt wird, wird der Akku nicht geladen.
- ◆ Stecken Sie den Stecker (4a) des Ladegeräts in den Ladeanschluss (4b).
- ◆ Schließen Sie das Ladegerät an eine Netzsteckdose an. Schalten Sie ggf. die Netzstromversorgung ein.
- ◆ Die LED-Anzeige leuchtet auf.
- ◆ Warten Sie mindestens 21 Stunden, damit der Akku vollständig aufgeladen wird.

Das Ladegerät kann sich während des Aufladens erwärmen. Dies ist normal und weist nicht auf ein Problem hin. Das Ladegerät kann beliebig lange am Gerät angeschlossen bleiben. **Warnung!** Laden Sie den Akku nicht, wenn die Umgebungstemperatur unter 10 °C oder über 40 °C liegt.

Ein- und Ausschalten (Abb. E)

- ◆ Schalten Sie das Gerät ein, indem Sie den Ein-/Ausschalter (1) drücken und halten.
- ◆ Zum Ausschalten des Geräts lassen Sie den Ein-/Ausschalter (1) los.

Trockensaugen (nur NVC-Geräte)

- ◆ Zum alltäglichen Saugen trockenen Schmutzes.
- Warnung!** Keinesfalls mit diesen Modellen nassen Schmutz aufsaugen.

Nass- und Trockensaugen (nur WDC-Geräte)

- ◆ Verwenden Sie das Gerät zum alltäglichen Saugen von trockenem Schmutz ohne den Gummiwischer.
- Warnung!** Das Gerät ist nicht zum Aufsaugen großer Flüssigkeitsmengen geeignet.
- ◆ Das Gerät kann auch zum alltäglichen Aufsaugen von Flüssigkeiten verwendet werden. Verwenden Sie den Gummiwischer auf wasserabweisenden, harten Oberflächen. Auf wasserabsorbierenden Oberflächen (z. B. Teppichen) lassen sich ausgelaufene Flüssigkeiten besser ohne den Aufsatz zum Nasssaugen aufsaugen.
 - ◆ Die besten Ergebnisse beim Nasssaugen harter Oberflächen erhalten Sie, wenn Sie den Gummiwischer in die Düsenöffnung des Behälters einsetzen.
 - ◆ Halten Sie das Gerät mit dem Aufsatz zum Nasssaugen im 45-Grad-Winkel und ziehen Sie es langsam in Ihre Richtung.
 - ◆ Füllen Sie den Behälter höchstens bis zum Ende der Ansaugrinne. Wenn sich Flüssigkeit im Behälter befindet, darf das Gerät nicht umgedreht oder zur Seite gedreht, die Düse nicht nach oben gerichtet und der Staubsauger nicht übermäßig geschüttelt werden.

- ◆ Reinigen Sie das Gerät und den Filter unmittelbar nach dem Saugen flüssiger Substanzen. Andernfalls kann sich Schimmel am Gerät bilden.
- ◆ Stellen Sie vor dem Laden sicher, dass sämtliche Flüssigkeit aus dem Gerät entfernt wurde, um Schäden am Gerät zu verhindern.

Optimieren der Saugkraft

Damit das Gerät stets die bestmögliche Saugkraft erzeugt, müssen die Filter während des Gebrauchs regelmäßig gereinigt werden.

Leeren und Reinigen des Produkts

Entfernen des Staubbehälters und der Filter (Abb. F & G)

Warnung! Die Filter sind wieder verwendbar und sollten regelmäßig gereinigt werden.

- ◆ Drücken Sie die Entriegelungstaste für den Auffangbehälter (2), und ziehen Sie den Staubbehälter (3) gerade ab.
- ◆ Ziehen Sie den Filter heraus, während Sie den Staubbehälter über einen Mülleimer oder ein Waschbecken halten, um den Behälter zu leeren.
- ◆ Schieben Sie anschließend den Staubbehälter auf den Griff, bis dieser sicher einrastet.

Warnung! Betreiben Sie das Gerät nie ohne Filter. Die beste Reinigungswirkung erzielen Sie bei sauberen Filtern.

Schaumstoffeinsatz (Abb. H) (nur WDC-Geräte)

- ◆ Setzen Sie den Schaumstoffeinsatz (12) in der Mitte des Deflektors zum Nass-/Trockensaugen (13) ein.

Warnung! Verwenden Sie das Gerät nur dann zum Nasssaugen, wenn der Wasserdeflektor und der Schaumstoffeinsatz angebracht sind.

Vorfilter (Abb. I) (nur NVC-Geräte)

Der Filter und der Vorfilter lassen sich trennen, um eine bessere Reinigung zu ermöglichen.

- ◆ Drehen Sie den Vorfilter (11) gegen den Uhrzeigersinn und heben Sie ihn vom Filter (10) ab.

Warnung! Keinesfalls mit diesen Modellen nassen Schmutz aufsaugen.

Reinigen der Staubbehälter und der Filter

- ◆ Die Staubbehälter und Filter können mit warmer Seifenlauge gereinigt werden.
- ◆ Die Filter und der Staubbehälter müssen vor dem Wiedereinbau vollständig trocken sein.

Ersetzen der Filter

Die Filter sollten alle 6 bis 9 Monate ersetzt werden, bei sichtbaren Verschleißspuren oder Beschädigungen auch früher. Ersatzfilter erhalten Sie im BLACK+DECKER Fachhandel:

Wartung

Ihr BLACK+DECKER Gerät (mit und ohne Netzkabel) wurde im Hinblick auf eine lange Lebensdauer und einen möglichst geringen Wartungsaufwand entwickelt. Ein kontinuierlicher, zufriedenstellender Betrieb hängt von der richtigen Pflege des Gerätes und seiner regelmäßigen Reinigung ab.

Warnung! Vor dem Ausführen jeglicher Wartungsarbeiten an Geräten mit und ohne Netzkabel:

- ◆ Schalten Sie das Gerät aus, und ziehen Sie den Netzstecker.
- ◆ Wenn das Gerät über einen separaten Batteriepack oder Akku verfügt, schalten Sie das Gerät ab, und entnehmen Sie die Batterien aus dem Gerät.
- ◆ Wenn der Akku integriert ist, entladen Sie diesen vor dem Abschalten vollständig.
- ◆ Ziehen Sie das Ladegerät aus der Netzsteckdose, bevor Sie es reinigen. Das Ladegerät benötigt keine Wartung, es sollte jedoch regelmäßig gereinigt werden.
- ◆ Reinigen Sie regelmäßig die Lüftungsschlitze des Geräts und des Ladegeräts mit einer weichen Bürste oder einem trockenen Tuch.
- ◆ Reinigen Sie das Motorgehäuse regelmäßig mit einem feuchten Tuch. Verwenden Sie keine scheuernden Reinigungsmittel oder Reinigungsmittel auf Lösungsmittelbasis.

Umweltschutz



Getrennte Sammlung. Produkte und Akkus mit diesem Symbol dürfen nicht mit dem normalen Hausmüll entsorgt werden.

Produkte und Akkus enthalten Materialien, die wiederverwertet werden können, um den Bedarf an Rohstoffen zu verringern. Bitte recyceln Sie elektrische Produkte und Akkus gemäß den örtlichen Bestimmungen. Weitere Informationen finden Sie auf www.2helpU.com

Technische Daten

	NVC115JL (H1) NVC115W (H1) NVC115WA (H1) WDC115WA (H1)	NVC215W (H1) NVC215WA (H1) NVC220WC (H1) WDC215WA (H1)
Spannung (V)	3,6	7,2
Akku	Li-Ionen	Li-Ionen
Gewicht (kg)	0,53	0,67
Ladegerät	SSC-040015EU/ S003BDV0500015	SSC-080015EU/ S003BEV0800015
Eingangsspannung (V _{in})	100 - 240	100 - 240
Ausgangsspannung (V)	4	8,25
Stromstärke (mA)	150	150
Ungefähre Ladezeit	10	10

Garantie

Black & Decker vertraut auf die Qualität der eigenen Geräte und bietet dem Käufer eine außergewöhnliche Garantie von 24 Monaten ab Kaufdatum. Diese Garantie versteht sich unbeschadet der gesetzlichen Gewährleistungsansprüche und schränkt diese keinesfalls ein. Diese Garantie gilt innerhalb der Staatsgebiete der Mitgliedstaaten der Europäischen Union und der Europäischen Freihandelszone.

Zur Inanspruchnahme dieser Garantie muss sie den allgemeinen Geschäftsbedingungen von Black&Decker entsprechen und dem Verkäufer bzw. der Vertragswerkstatt ist ein Kaufnachweis vorzulegen. Die Bedingungen für die 2-jährige Garantie von Black&Decker und den Standort Ihrer nächstgelegenen Vertragswerkstatt finden Sie im Internet unter www.2helpU.com oder indem Sie sich an die lokale Black & Decker-Niederlassung wenden, deren Adresse Sie in dieser Anleitung finden.

Ihr neues Black & Decker-Produkt können Sie auf unserer Website unter www.blackanddecker.de registrieren. Dort erhalten Sie auch Informationen über neue Produkte und Sonderangebote.

Utilisation prévue

Votre aspirateur à main BLACK + DECKER Dustbuster® a été conçu pour les petits travaux d'aspiration des poussières sèches (NVC115JL, NVC115W, NVC115WA, NVC215W, NVCW215WA, NVC220WC). Cet appareil est exclusivement destiné à un usage domestique.

Votre aspirateur à main BLACK + DECKER Dustbuster® a été conçu pour les petits travaux d'aspiration d'eau et de poussière (WDC115WA, WDC215WA). Cet appareil est exclusivement destiné à un usage domestique.

Consignes de sécurité

Avertissement ! Lisez tous les avertissements et toutes les consignes de sécurité. Le non-respect des avertissements et des instructions listés ci-dessous peut entraîner des chocs électriques, des incendies et/ou de graves blessures.



Avertissement ! Lors de l'utilisation d'appareils alimentés par batterie, certaines précautions de sécurité de base, dont celles qui suivent, doivent toujours être respectées afin de réduire le risque d'incendie, la fuite des batteries, les blessures et les dommages matériels.

- ♦ Lisez attentivement l'intégralité de ce manuel avant d'utiliser l'appareil.
- ♦ Ce manuel décrit la manière d'utiliser l'appareil. L'utilisation d'un accessoire ou d'un équipement ou l'utilisation de cet appareil à d'autres fins que celles recommandées dans ce manuel d'utilisation peut présenter un risque de blessures.
- ♦ Conservez ce manuel pour pouvoir vous y référer dans le futur.

Utilisation de votre appareil

- ♦ N'utilisez pas l'appareil pour aspirer des liquides ou une quelconque matière inflammable.
- ♦ N'utilisez pas cet appareil près d'une source d'eau.
- ♦ Ne plongez pas l'appareil dans l'eau.
- ♦ Ne tirez jamais sur le fil du chargeur pour le débrancher. Maintenez le fil du chargeur éloigné de toute source de chaleur, zone grasse et bords tranchants.
- ♦ Cet appareil peut être utilisé par des enfants de 8 ans ou plus et par des personnes aux capacités physiques, mentales ou sensorielles réduites ou qui manquent d'expérience et de

connaissances, s'ils sont supervisés ou ont été formés à l'utilisation sûre de l'appareil et qu'ils sont conscients des risques potentiels. Ne laissez pas les enfants jouer avec l'appareil. Le nettoyage et la maintenance à réaliser par l'utilisateur ne doivent pas être entrepris par des enfants sans surveillance.

Vérification et réparations

- ♦ Avant d'utiliser l'appareil, vérifiez qu'aucune de ses pièces n'est endommagée ou défectueuse. Contrôlez l'absence de pièces cassées, d'interrupteurs endommagés et de toutes autres anomalies susceptibles de nuire au bon fonctionnement de l'appareil.
- ♦ N'utilisez pas l'appareil si l'une de ses pièces est endommagée ou défectueuse.
- ♦ Faites réparer ou remplacer les pièces défectueuses ou endommagées par un réparateur agréé.
- ♦ Vérifiez régulièrement l'état du fil du chargeur. Si le fil est endommagé ou défectueux, remplacez le chargeur.
- ♦ Ne tentez jamais de retirer ou de remplacer des pièces autres que celles indiquées dans ce manuel.

Consignes de sécurité supplémentaires**Risques résiduels**

Certains risques résiduels autres que ceux mentionnés dans les avertissements sur la sécurité peuvent survenir en utilisant l'outil. Ces risques peuvent être

provoqués par une utilisation incorrecte, prolongée, etc. Malgré l'application des normes de sécurité pertinentes et la mise en œuvre de dispositifs de sécurité, certains risques résiduels ne peuvent pas être évités. Ils comprennent :

- ♦ Les blessures dues au contact avec des pièces mobiles.
- ♦ Les blessures dues au contact avec des pièces brûlantes.
- ♦ Les blessures dues au changement de pièces ou d'accessoires.
- ♦ Les blessures dues à l'utilisation prolongée de l'appareil. Lorsque vous utilisez l'appareil pendant de longues périodes, assurez-vous de faire des pauses régulières.

Batteries et chargeurs**Batteries**

- ♦ Ne tentez de les ouvrir sous aucun prétexte.
- ♦ N'exposez pas la batterie à l'eau.
- ♦ N'exposez pas la batterie à la chaleur.
- ♦ Ne la rangez pas dans des endroits où la température peut dépasser 40°C.
- ♦ Ne procédez à la charge qu'à une température ambiante comprise entre 10°C et 40°C.
- ♦ Ne procédez à la charge qu'avec le chargeur fourni avec l'appareil/outil. L'utilisation d'un chargeur inadapté peut conduire à un choc électrique ou à la surchauffe de la batterie.
- ♦ Pour la mise au rebut des batteries, respectez les instructions mentionnées

à la section "Protection de l'environnement".

- ◆ Ne déformez/n'endommagez pas le bloc-batterie en le perçant ou en le cognant, ceci pourrait entraîner des blessures et un incendie.
- ◆ Ne rechargez pas des batteries endommagées.
- ◆ Dans des conditions extrêmes, une batterie peut fuir. Si vous détectez une fuite, utilisez un chiffon pour essuyer le liquide avec précaution. Évitez tout contact avec la peau.
- ◆ En cas de contact avec la peau ou les yeux, suivez les instructions ci-dessous.

Avertissement ! Le liquide de la batterie peut provoquer des blessures ou des dommages matériels. En cas de contact avec la peau, rincez immédiatement à l'eau. Si des rougeurs, une douleur ou une irritation se produisent, consultez un médecin. En cas de contact avec les yeux, rincez immédiatement à l'eau et consultez un médecin.

Chargeurs

Votre chargeur a été conçu pour une tension spécifique. Vérifiez toujours que la tension du réseau électrique correspond à celle de la plaque signalétique et des informations du tableau de données techniques.

Avertissement ! N'essayez jamais de remplacer le module de charge par une prise secteur ordinaire.

- ◆ N'utilisez votre chargeur BLACK+DECKER que pour recharger la batterie

de l'appareil/outil avec lequel il a été fourni. D'autres batteries pourraient exploser et provoquer des blessures et des dommages.

- ◆ Ne tentez jamais de recharger des batteries non rechargeables.
- ◆ Si le câble d'alimentation est endommagé, il doit être remplacé par le fabricant ou par un centre d'assistance BLACK+DECKER agréé afin d'éviter tout accident.
- ◆ N'exposez pas le chargeur à l'eau.
- ◆ N'ouvrez pas le chargeur.
- ◆ Ne sondez pas le chargeur.
- ◆ Pendant la charge, placez l'appareil/l'outil/la batterie dans un endroit correctement aéré.

Sécurité électrique

Votre chargeur a été conçu pour une tension spécifique. Vérifiez toujours que la tension du réseau électrique correspond à la tension figurant sur la plaque signalétique. N'essayez jamais de remplacer le module de charge par une prise secteur ordinaire.

Symboles sur le chargeur



Lisez attentivement l'intégralité de ce manuel avant d'utiliser l'appareil.

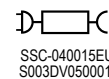
Cet outil est doublement isolé et ne nécessite donc aucun fil de liaison à la terre. Assurez-vous toujours que l'alimentation électrique correspond à la tension mentionnée sur la plaque signalétique.



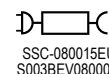
Le support de charge ne peut être utilisé qu'à l'intérieur.

Étiquettes apposées sur l'appareil

Les symboles suivants figurent sur l'appareil avec le code date :



NVC115JL/NVC115W/NVC115WA/
WDC115WA À n'utiliser qu'avec le chargeur
SSC-040015EU/ S003BDV0500015



NVC215W/NVC215WA/NVC220WC/
WDC215WA À n'utiliser qu'avec le chargeur
SSC-080015EU/ S003BEV0800015

Caractéristiques

Cet outil dispose de tout ou partie des éléments suivants.

1. Interrupteur Marche/Arrêt
2. Bouton de libération du bac
3. Bac à poussière
4. Station de charge (NVC115W, NVC115WA, NVC215W, NVC215WA, NVC220WC, WDC115WA, WDC215WA uniquement).
- 4a. Prise jack de charge (NVC115JL uniquement).
5. Suceur plat rétractable (NVC215W, NVC215WA et NVC220WC uniquement)
6. Brosse (NVC115WA, NVC215WA, NVC220WC, WDC115WA et WDC215WA uniquement)
7. Suceur plat (NVC115WA uniquement)
8. Raclette (WDC115WA et WDC215WA uniquement)
10. Filtre en tissu pour poussières (NVC uniquement)
11. Pré-filtre (NVC uniquement)
12. Insert en mousse pour eau et poussières (WDC uniquement)
13. Défecteur pour eau et poussières (WDC uniquement)

Fig. A

10. Filtre en tissu pour poussières (NVC uniquement)
11. Pré-filtre (NVC uniquement)
12. Insert en mousse pour eau et poussières (WDC uniquement)
13. Défecteur pour eau et poussières (WDC uniquement)

Installation

Installation au mur (NVC115W, NVC115WA, NVC215W, NVC215WA, NVC220WC, WDC115WA, WDC215WA uniquement). (Fig. B)

Pour faciliter le rangement et la mise en charge de l'appareil, l'appareil peut être fixé sur un mur.

Pour l'installation au mur, assurez-vous que la fixation convient au type de mur et au poids de l'appareil.

- ◆ Repérez les trous de vis (à proximité d'une prise électrique pour pouvoir recharger l'aspirateur quand il est fixé sur support mural).
- ◆ Installez le support de fixation au mur à l'aide de vis et de chevilles appropriées pour le type de mur et le poids de l'appareil.

- ◆ Accrochez l'appareil au mur en plaçant l'ouverture sur la base de l'aspirateur sur le crochet dans le support de charge mural.

Assemblage

Accessoires (Fig. C)

Ces modèles peuvent être livrés avec certains des accessoires suivants :

- ◆ Une raclette (9) pour l'aspiration d'eau sur les surfaces dures.
- ◆ Une brosse (6) pour les meubles et les escaliers.
- ◆ Un suceur plat (8) pour les espaces restreints.
- ◆ Une brosse Animaux (7) pour aspirer les poils d'animaux.

Remarque : N'utilisez jamais la brosse Animaux directement sur un animal.

Installation (Fig. C)

- ◆ Insérez l'accessoire approprié à l'avant de l'appareil. Assurez-vous que l'accessoire est bien enfoncé.

Suceur plat rétractable (NVC215W, NVC215WA et NVC220WC uniquement) (Fig. D)

- ◆ Sortez le suceur plat (5) comme illustré par la figure D, jusqu'à ce qu'il se clipse en place.
- ◆ Pour rétracter le suceur plat, enfoncez le bouton (5a) et réintroduisez le suceur dans le bac à poussière (3) comme illustré par la figure D.

Utilisation

- ◆ Avant la première utilisation, la batterie doit être chargée pendant au moins 24 heures.

Avertissement ! Avant le chargement, videz la totalité du liquide et séchez à fond afin d'éviter d'endommager votre appareil.

Recharger la batterie à l'aide de la station de charge (NVC115W, NVC115WA, NVC215W, NVC215WA, NVC220WC, WDC115WA, WDC215WA uniquement) (Fig. B)

- ◆ Assurez-vous que l'appareil est éteint. La batterie ne se recharge pas si le bouton Marche/Arrêt (1) est enfoncé.
 - ◆ Placez l'appareil sur le support de charge (4).
 - ◆ Branchez le chargeur. Branchez au secteur.
 - ◆ Laissez l'appareil en charge pendant au moins 21 heures. Pendant le chargement, le chargeur peut chauffer. Ceci est normal et n'indique pas un problème. L'appareil peut rester branché au chargeur en permanence.
- Avertissement !** Ne chargez pas la batterie si la température ambiante est inférieure à 10 °C ou supérieure à 40 °C.

Recharger la batterie à l'aide de la prise jack (NVC115JL uniquement) (Fig. B1)

- ◆ Assurez-vous que l'appareil est éteint. La batterie ne se recharge pas si le bouton Marche/Arrêt (1) est enfoncé.
- ◆ Insérez la prise jack du chargeur (4a) dans la prise de charge (4b).
- ◆ Branchez le chargeur. Branchez au secteur.
- ◆ Le voyant s'allume.
- ◆ Laissez l'appareil en charge pendant au moins 21 heures. Pendant le chargement, le chargeur peut chauffer. Ceci est normal et n'indique pas un problème. L'appareil peut rester branché au chargeur en permanence.

Avertissement ! Ne chargez pas la batterie si la température ambiante est inférieure à 10 °C ou supérieure à 40 °C.

Mise en marche et extinction (fig. E)

- ◆ Pour mettre l'appareil en marche, maintenez enfoncé l'interrupteur Marche/Arrêt (1).
- ◆ Pour éteindre l'appareil, relâchez le bouton Marche/Arrêt (1).

Aspiration des poussières sèches (NVC uniquement)

- ◆ Pour l'aspiration au quotidien d'éléments secs déversés.

Avertissement ! N'aspirez jamais d'eau avec cet appareil.

Aspiration de l'eau et des poussières (WDC uniquement)

- ◆ Pour l'aspiration au quotidien des poussières et autres éléments secs, utilisez votre appareil sans la raclette.
- Avertissement !** Votre produit est conçu pour n'aspirer que de petites quantités.
- ◆ Cet appareil peut aussi être utilisé pour aspirer des petites quantités de liquide. Utilisez la raclette sur les surfaces dures non absorbantes. Sur des surfaces absorbantes, comme un tapis, votre appareil aspire mieux sans l'accessoire.
 - ◆ Pour une meilleure aspiration de l'eau sur les surfaces dures, insérez la raclette dans l'ouverture du bac.
 - ◆ Pour un meilleur résultat, maintenez l'appareil dans un angle de 45° et tirez-le lentement vers vous.
 - ◆ Ne remplissez pas le bac au-delà de la limite. S'il y a du liquide dans le bac, ne renversez pas l'appareil, ne le placez pas sur le côté, ne pointez pas l'embout vers le haut ou ne secouez pas vigoureusement l'aspirateur.
 - ◆ Après avoir aspiré des substances liquide, nettoyez immédiatement l'appareil et le filtre. De la moisissure pourrait apparaître si l'appareil n'est pas correctement nettoyé après avoir aspiré des éléments humides.
 - ◆ Avant le chargement, videz la totalité du liquide et séchez à fond afin d'éviter d'endommager votre appareil.

Optimisation de la force d'aspiration

Pour conserver une force d'aspiration maximale, les filtres doivent être nettoyés régulièrement.

Vidage et nettoyage du produit.

Retrait du bac à poussière et des filtres (Fig. F & G)

Avertissement ! Les filtres sont réutilisables et ils doivent être nettoyés régulièrement.

- ◆ Enfoncez le bouton de libération du bac à poussière (2) et tirez sur le bac à poussière (3) pour le sortir.
- ◆ Tout en maintenant le bac à poussière au-dessus d'une poubelle ou d'un évier, retirez le filtre pour vider le bac.
- ◆ Pour replacer le bac de poussière, réinsérez-le sur la poignée jusqu'à ce qu'il s'enclenche en place.

Avertissement ! N'utilisez jamais l'appareil sans les filtres. Pour récupérer le maximum de poussière, les filtres doivent être propres.

Insert en mousse (Fig. H) (WDC uniquement)

- ◆ Placez l'insert en mousse (12) au centre du déflecteur pour éléments secs et humides (13).

Avertissement ! N'utilisez jamais l'appareil pour aspirer des éléments humides sans que le déflecteur et l'insert en mousse ne soient en place.

Pré-filtre (Fig. I) (NVC uniquement)

Le filtre et le pré-filtre peuvent être séparés pour un meilleur nettoyage.

- ◆ Tournez le pré-filtre (11) dans le sens inverse des aiguilles d'une montre et soulevez-le hors du filtre (10).

Avertissement ! N'aspirez jamais d'eau avec cet appareil.

Nettoyage des bacs à poussières et des filtres

- ◆ Le bac à poussière et les filtres peuvent être nettoyés à l'eau chaude savonneuse.
- ◆ Assurez-vous que les filtres et le bac à poussière sont parfaitement secs avant de les réinstaller.

Remplacement des filtres

Les filtres doivent être remplacés tous les 6 à 9 mois et chaque fois qu'ils sont usés ou endommagés. Des filtres de rechange sont disponibles auprès de votre revendeur BLACK+DECKER :

Maintenance

Votre appareil/outil sans fil/avec fil BLACK+DECKER a été conçu pour fonctionner pendant longtemps avec un minimum d'entretien. Le fonctionnement continu et satisfaisant de l'appareil dépend de son bon entretien et de son nettoyage régulier.

Avertissement ! Avant toute intervention de maintenance sur des outils électriques avec ou sans fil :

- ◆ Éteignez l'appareil/outil, puis débranchez-le.
- ◆ Ou, arrêtez l'appareil et retirez la batterie de l'appareil/outil si celui-ci est muni d'un bloc-batterie séparé.
- ◆ Ou déchargez complètement la batterie si elle est intégrée, puis éteignez l'appareil.
- ◆ Débranchez le chargeur avant de le nettoyer. Votre chargeur ne nécessite aucun entretien particulier, à l'exception d'un nettoyage régulier.
- ◆ Nettoyez régulièrement les orifices de ventilation de votre appareil/outil/chargeur à l'aide d'une brosse souple ou d'un chiffon sec.
- ◆ Nettoyez régulièrement le carter moteur à l'aide d'un chiffon humide. N'utilisez pas de détergents abrasifs ou à base de solvants.

Protection de l'environnement



Tri sélectif. Les produits et batteries marqués de ce symbole ne doivent pas être jetés avec les déchets ménagers.

Les produits et batteries contiennent des matières qui peuvent être récupérées et recyclées afin de réduire la demande en matières premières.

Veillez à recycler les produits électriques et les piles et batteries conformément aux prescriptions locales en vigueur. Plus d'informations sont disponibles sur le site www.2helpU.com

Caractéristiques techniques

	NVC115JL (H1) NVC115W (H1) NVC115WA (H1) WDC115WA (H1)	NVC215W (H1) NVC215WA (H1) NVC220WC (H1) WDC215WA (H1)
Tension (V)	3,6	7,2
Batterie	Li-Ion	Li-Ion
Poids (kg)	0,53	0,67
Chargeur	SSC-040015EU/ S003BDV0500015	SSC-080015EU/ S003BEV0800015
Tension d'entrée (V _{ac})	100 - 240	100 - 240
Tension de sortie (V)	4	8,25
Courant (mA)	150	150
Durée de charge approximative	10	10

Garantie

Black & Decker assure la qualité de ses produits et offre une garantie de 24 mois aux utilisateurs, à partir de la date d'achat. Cette garantie s'ajoute à vos droits légaux auxquels elle ne porte aucunement préjudice. Cette garantie est valable au sein des territoires des États membres de l'Union Européenne et au sein de la Zone européenne de libre-échange.

Pour prétendre à la garantie, la réclamation doit être en conformité avec les conditions générales de Black&Decker

et vous devez fournir une preuve d'achat au vendeur ou au réparateur agréé. Les conditions générales de la garantie de 2 ans Black&Decker ainsi que l'adresse du réparateur agréé le plus proche sont disponibles sur le site Internet www.2helpU.com ou en contactant votre agence Black & Decker locale à l'adresse indiquée dans ce manuel.

Accédez à notre site Internet www.blackanddecker.co.uk pour enregistrer votre nouveau produit Black & Decker et être informé des nouveaux produits et des offres spéciales.

Usò previsto

L'aspirapolvere portatile BLACK + DECKER Dustbuster® è stato progettato per l'aspirazione leggera e a secco (NVC115JL, NVC115W, NVC115WA, NVC215W, NVCW215WA, NVC220WC). Questo apparecchio è concepito esclusivamente per uso domestico.

L'aspirasolidi/aspiraliquidi portatile Black & Decker Dustbuster® è stato progettato per aspirazione leggera a secco e di liquidi (WDC115WA e WDC215WA). Questo apparecchio è concepito esclusivamente per uso domestico.

Istruzioni di sicurezza



Avvertenza! Leggere attentamente tutte le avvertenze e le istruzioni di sicurezza.

La mancata osservanza delle avvertenze e istruzioni elencate di seguito potrebbe dar luogo a scossa elettrica, incendi e/o lesioni gravi alle persone.



Avvertenza! Quando si usano elettrodomestici alimentati a batteria, osservare sempre le normali precauzioni di sicurezza per ridurre il rischio di incendi, perdita di liquido dalle batterie, lesioni personali e danni materiali.

- ◆ Leggere attentamente questo manuale prima di usare l'apparecchio.
- ◆ L'uso previsto è descritto in questo manuale. Se questo apparecchio viene utilizzato con accessori o per impieghi diversi da quelli raccomandati in questo manuale si potrebbero verificare lesioni alle persone.
- ◆ Conservare questo manuale per successiva consultazione.

Impiego dell'apparecchio

- ◆ Non usare l'apparecchio per aspirare liquidi o materiali che potrebbero incendiarsi.
- ◆ Non usare l'apparecchio vicino all'acqua.
- ◆ Non immergere l'apparecchio in acqua.
- ◆ Non tirare mai il cavo di alimentazione per scollegare il caricabatterie dalla presa di corrente. Tenere il cavo di alimentazione del caricabatterie lontano da fonti di calore, olio e bordi taglienti.
- ◆ Questo apparecchio può essere usato da bambini dagli 8 anni in su e da persone portatrici di handicap fisici, psichici o sensoriali o che non abbiano la dovuta esperienza o conoscenza, sempre che siano sorvegliati od opportunamente istruiti sull'uso sicuro e comprendano i pericoli inerenti. Non lasciare che i bambini giochino con l'apparecchio. Gli interventi di pulizia e manutenzione da parte dell'utilizzatore non devono essere eseguiti da bambini senza supervisione.

Ispezione e riparazioni

- ◆ Prima dell'uso, controllare che l'apparecchio non sia danneggiato e non presenti parti difettose. Verificare inoltre che non vi siano parti rotte, interruttori danneggiati o altre condizioni che potrebbero incidere sul suo funzionamento.
- ◆ Non usare l'apparecchio se alcune parti sono danneggiate o difettose.
- ◆ Fare riparare o sostituire le parti danneggiate o difettose da un tecnico riparatore autorizzato.
- ◆ Controllare a intervalli regolari che il cavo di alimentazione del caricabatterie non sia danneggiato. Sostituire il caricabatterie se il cavo è danneggiato o difettoso.
- ◆ Non tentare di smontare o sostituire alcuna parte, ad eccezione di quelle specificate in questo manuale.

Ulteriori precauzioni di sicurezza

Rischi residui

L'utilizzo dell'apparecchio può comportare rischi residui non necessariamente riportati nelle presenti avvertenze di sicurezza. Tali rischi possono sorgere a seguito di un uso prolungato o improprio, ecc.

Malgrado il rispetto delle norme di sicurezza pertinenti e l'implementazione di dispositivi di sicurezza, alcuni rischi residui non possono essere evitati. Sono inclusi:

- ◆ lesioni causate dal contatto con parti in movimento;

- ◆ lesioni causate dal contatto con parti calde;
- ◆ lesioni causate durante la sostituzione di parti o accessori;
- ◆ lesioni causate dall'impiego prolungato dell'apparecchio. Quando si usa l'apparecchio per lunghi periodi, accertarsi di fare regolarmente delle pause.

Batterie e caricabatterie

Batterie

- ◆ Non tentare mai di aprire le batterie per alcun motivo.
- ◆ Non lasciare che la batteria si bagni.
- ◆ Non esporre la batteria al calore.
- ◆ Non conservare la batteria in luoghi dove la temperatura potrebbe superare i 40°C.
- ◆ Caricare la batteria solo a temperature ambientali comprese tra 10 e 40 °C.
- ◆ Caricare la batteria esclusivamente con il caricabatterie fornito in dotazione con l'apparecchio/l'elettrotensile. L'uso del caricabatterie sbagliato potrebbe causare scosse elettriche o il surriscaldamento della batteria.
- ◆ Per lo smaltimento delle batterie, seguire le istruzioni fornite alla sezione "Protezione dell'ambiente".
- ◆ Non danneggiare/deformare la batteria forandola o colpendola, per evitare il rischio di lesioni o di incendio.
- ◆ Non caricare le batterie danneggiate.
- ◆ In condizioni estreme, si potrebbe verificare la perdita di liquido dalle batterie. Se si nota la presenza di liquido sulle batterie, pulirle con attenzione

- con uno straccio. Evitare il contatto con la pelle.
- ◆ In caso di contatto con la pelle o gli occhi, seguire le istruzioni riportate di seguito.

Avvertenza! Il liquido delle batterie può causare lesioni a persone o danni alle cose. In caso di contatto con la pelle, risciacquare immediatamente con acqua. In caso di rossore, dolore o irritazione, rivolgersi immediatamente a un medico. In caso di contatto con gli occhi, risciacquarli immediatamente con acqua pulita e consultare un medico.

Caricabatterie

Il caricabatterie è stato progettato per una tensione specifica. Controllare sempre che la tensione di rete corrisponda alla tensione indicata sulla targhetta dei valori nominali e nelle informazioni contenute nella tabella dei dati tecnici.

Avvertenza! Non tentare mai di sostituire la spina caricabatterie con una spina elettrica tradizionale.

- ◆ Usare il caricabatterie BLACK+DECKER solo per caricare la batteria dell'apparecchio/elettrotensile con il quale è stato fornito. Altre batterie potrebbero scoppiare causando lesioni alle persone e danni alle cose.
- ◆ Non tentare mai di caricare batterie non ricaricabili.
- ◆ Per prevenire pericoli, i cavi di alimentazione danneggiati devono essere sostituiti dal produttore o da un centro di assistenza BLACK+DECKER.

- ◆ Non lasciare che il caricabatterie si bagni.
- ◆ Non aprire il caricabatterie.
- ◆ Non introdurre oggetti nel caricabatterie.
- ◆ L'elettrodomestico/elettrodomestico/la batteria devono essere lasciati in una zona ben ventilata durante la carica.

Sicurezza elettrica

Il caricabatterie è stato progettato per una tensione specifica. Controllare sempre che la tensione di rete corrisponda a quella indicata sulla targhetta dei valori nominali. Non tentare mai di sostituire la spina caricabatterie con una spina elettrica tradizionale.

Simboli sul caricabatterie



Leggere attentamente questo manuale prima di usare l'apparecchio.



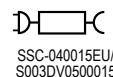
Il doppio isolamento di cui è provvisto l'elettrodomestico rende superfluo il filo di terra. Assicurarsi che la tensione della rete di alimentazione corrisponda al valore indicato sulla targhetta dei valori nominali.



La base di ricarica può solo essere usata all'interno.

Etichette sull'apparecchio

Sull'elettrodomestico sono presenti i seguenti simboli, assieme al codice data.



Modelli NVC115JL/NVC115W/NVC115WA/
WDC115WA: utilizzare esclusivamente
con il caricabatterie SSC-040015EU/
S003BDV0500015



NVC215W/NVC215WA/NVC220WC/
WDC215WA: utilizzare esclusivamente
con il caricabatterie SSC-080015EU/
S003BEV0800015

Caratteristiche

Questo utensile presenta alcune o tutte le seguenti caratteristiche.

1. Interruttore di accensione/spengimento
2. Pulsante di rilascio contenitore raccogli-polvere
3. Contenitore raccogli-polvere
4. Base di carica (solo per i modelli NVC115W, NVC115WA, NVC215W, NVC215WA, NVC220WC, WDC115WA, WDC215WA)
- 4a. Spina caricabatterie (solo nel modello NVC115JL)
5. Bocchetta a lancia retraibile (solo nei modelli NVC215W, NVC215WA e NVC220WC)
6. Spazzola (solo nei modelli NVC115WA, NVC215WA, NVC220WC, WDC115WA e WDC215WA)
7. Bocchetta a lancia (solo nel modello NVC115WA)
8. Raschiatoio (solo nei modelli WDC115WA e WDC215WA)

Fig. A

10. Filtro in tessuto per aspirazione a secco (solo nei modelli NVC)
11. Prefiltro (solo nei modelli NVC)
12. Inserto in espanso per aspirasolidi/aspiraliquidi (solo nei modelli WDC)
13. Deflettore per aspirasolidi/aspiraliquidi (solo nei modelli WDC)

Montaggio

Staffa per fissaggio a parete (solo nei modelli NVC115W, NVC115WA, NVC215W, NVC215WA, NVC220WC, WDC115WA, WDC215WA). (Fig. B)

Il prodotto può essere fissato a parete per avere un posto comodo dove riporre l'elettrodomestico e dove caricarlo. Quando si fissa la staffa sulla parete, accertarsi che il metodo usato sia idoneo al tipo di parete e al peso dell'elettrodomestico.

- ◆ Marcare la posizione dei fori delle viti (in prossimità di una presa di corrente per caricare l'apparecchio quando è inserito nella base per fissaggio a parete).
- ◆ Fissare la staffa alla parete usando viti e tasselli di tipo idoneo al tipo di parete e al peso dell'apparecchio.
- ◆ Appendere l'apparecchio alla parete posizionando l'apertura alla base dell'unità nei ganci nella staffa per carica a parete.

Assemblaggio

Accessori (Fig. C)

Questi modelli sono forniti con alcuni o con tutti gli accessori elencati di seguito:

- ◆ un raschiatoio (9) per l'impiego con l'aspiraliquidi su superfici dure;
- ◆ una spazzola (6) per mobili e scale;
- ◆ una bocchetta a lancia (8) per spazi limitati;
- ◆ una spazzola raccogli-peli (7) per rimuovere i peli di animali domestici.

Nota: Non utilizzare mai la spazzola raccogli-peli sugli animali.

Montaggio (Fig. C)

- ◆ Inserire l'accessorio desiderato nella parte anteriore dell'apparecchio. Accertarsi che l'accessorio sia completamente inserito.

Bocchetta a lancia retraibile (solo nei modelli NVC215W, NVC215WA e NVC220WC) (Fig. D)

- ◆ Estendere la bocchetta a lancia (5), come mostrato nella Figura D, finché non scatta in posizione.
- ◆ Per ritrarre la bocchetta a lancia premere il pulsante (5a) e farla scorrere indietro nel contenitore raccogli-polvere (3), come illustrato nella Figura D.

Utilizzo

- ◆ Prima dell'utilizzo, caricare la batteria per almeno 24 ore.
- Avvertenza!** Prima della carica, accertarsi di aver svuotato l'apparecchio dal liquido eventualmente presente al suo interno e di averlo asciugato, per evitare danni.

Carica della batteria con la base di carica (solo nei modelli NVC115W, NVC115WA, NVC215W, NVC215WA, NVC220WC, WDC115WA, WDC215WA) (Fig. B)

- ◆ Accertarsi che l'apparecchio sia spento. La batteria non si ricarica se l'interruttore acceso/spento (1) è premuto.
- ◆ Collocare l'apparecchio sulla base di carica (4).
- ◆ Collegare la base di carica alla presa di corrente. Accendere l'alimentazione di rete.
- ◆ Lasciare che l'apparecchio si carichi per almeno 21 ore. Durante la ricarica, la base di carica potrebbe riscaldarsi. Si tratta di un fatto normale che non indica la presenza di problemi. L'apparecchio può essere lasciato collegato alla base di carica per un tempo indefinito.

Avvertenza! Non caricare la batteria a temperature ambiente inferiori a 10 °C o superiori a 40 °C.

Carica della batteria con la spina caricabatterie (solo per il modello NVC115JL) (Fig. B1)

- ◆ Accertarsi che l'apparecchio sia spento. La batteria non si ricarica se l'interruttore acceso/spento (1) è premuto.

- ◆ Infilare la spina caricabatterie (4a) del cavo nella presa di ricarica (4b).
 - ◆ Collegare il cavo caricabatterie alla presa di corrente. Accendere l'alimentazione di rete.
 - ◆ La spia a LED si accenderà.
 - ◆ Lasciare che l'apparecchio si carichi per almeno 21 ore. Durante la ricarica, la base di carica potrebbe riscaldarsi. Si tratta di un fatto normale che non indica la presenza di problemi. L'apparecchio può essere lasciato collegato al cavo caricabatterie per un tempo indefinito.
- Avvertenza!** Non caricare la batteria a temperature ambiente inferiori a 10 °C o superiori a 40 °C.

Accensione e spegnimento (Fig. E)

- ◆ Per accendere l'apparecchio premere l'interruttore acceso/spento (1).
- ◆ Per spegnere l'apparecchio rilasciare l'interruttore acceso/spento (1).

Aspirazione a secco (solo per i modelli NVC)

- ◆ Per i normali versamenti di sostanze asciutte.
- Avvertenza!** Non aspirare mai liquidi con queste unità.

Funzione aspirasolidi/aspiraliquidi (solo per unità WDC)

- ◆ Per i normali versamenti di sostanze asciutte, usare l'apparecchio senza il raschiatoio.

Avvertenza! Questo prodotto è adatto solo per versamenti di piccola entità.

- ◆ Questo elettrodomestico può anche essere usato per aspirare normali versamenti di liquidi. Usare il raschiatoio su superfici non assorbenti e dure. Su superfici assorbenti, tipo la moquette, l'elettrodomestico aspira meglio i versamenti liquidi senza l'accessorio.
- ◆ Per ottenere le migliori prestazioni per l'aspirazione di liquidi da superfici dure, inserire il raschiatoio nell'apertura della bocchetta del contenitore.
- ◆ Per ottenere i migliori risultati quando si usa questo accessorio, inclinare l'elettrodomestico a 45° e tirarlo lentamente verso sé stessi.
- ◆ Non riempire il contenitore oltre l'estremità del condotto di aspirazione. Se il contenitore contiene del liquido, non capovolgerlo, non inclinarlo di lato, non puntare la bocchetta verso l'alto e non scuotere eccessivamente l'aspirapolvere.
- ◆ Dopo aver aspirato delle sostanze liquide, pulire immediatamente l'apparecchio e il filtro. Se l'apparecchio non viene pulito in modo adeguato dopo l'aspirazione di liquidi, al suo interno si potrebbe formare muffa.
- ◆ Prima della carica, accertarsi di aver svuotato l'apparecchio dal liquido eventualmente presente al suo interno e di averlo asciugato, per evitare danni.

Massima forza aspirante

Per poter mantenere la massima forza aspirante, pulire regolarmente i filtri durante l'impiego.

Svuotamento e pulizia del prodotto.**Rimozione del contenitore raccogli-polvere e dei filtri (Figg. F e G).**

Avvertenza! I filtri sono riutilizzabili e devono essere puliti regolarmente.

- ◆ Premere il pulsante di rilascio del contenitore raccogli-polvere (2) ed estrarre completamente il contenitore (3).
- ◆ Tenendo il contenitore raccogli-polvere sopra a un bidone o a un lavandino, estrarre il filtro per svuotare il contenitore.
- ◆ Per rimontare il contenitore raccogli-polvere, appoggiarlo di nuovo sul manico fino a quando si aggancia saldamente in sede emettendo un clic.

Avvertenza! Non usare mai l'apparecchio senza i filtri. La raccolta ottimale della polvere si ottiene solo con i filtri puliti.

Inserito in espanso (Fig. H) (solo nei modelli WDC)

- ◆ Posizionare l'inserito in espanso (12) nel centro del deflettore aspirasolidi/aspiraliquidi (13).

Avvertenza! Non usare mai l'elettrodomestico come aspiraliquidi senza aver prima montato il deflettore per l'acqua e l'inserito in espanso.

Prefiltro (Fig. I) (solo per i modelli NVC)

Il filtro e il prefiltro possono essere divisi per consentire una migliore pulitura.

- ◆ Ruotare il prefiltro (11) in senso antiorario ed estrarlo dal filtro (10).

Avvertenza! Non aspirare mai liquidi con queste unità.

Pulitura dei contenitori raccogli-polvere e dei filtri

- ◆ I contenitori raccogli-polvere e i filtri possono essere lavati in acqua calda insaponata.
- ◆ Accertarsi che i filtri e il contenitore raccogli-polvere siano asciutti prima di rimontarli.

Sostituzione dei filtri

I filtri devono essere sostituiti ogni 6 - 9 mesi e quando sono usurati o danneggiati.

I filtri di ricambio sono reperibili presso il rivenditore BLACK+DECKER.

Manutenzione

Questo elettrodomestico/elettrodomestico BLACK+DECKER, con o senza filo, è stato progettato per funzionare a lungo con una manutenzione minima. Prestazioni sempre soddisfacenti dipendono da una cura appropriata e da una pulizia regolare.

Avvertenza! Prima di eseguire interventi di manutenzione su

elettrodomestici con o senza filo procedere come descritto di seguito.

- ◆ Spegner e scollegare l'apparecchio/elettrodomestico dalla presa elettrica.
- ◆ Oppure spegnere ed estrarre la batteria, se l'elettrodomestico/elettrodomestico è dotato di una batteria separata.
- ◆ Oppure scaricare completamente la batteria se è di tipo integrale e quindi spegnerlo.
- ◆ Scollegare il caricabatterie dalla spina prima di pulirlo. Il caricabatterie non richiede nessuna manutenzione, salvo una regolare pulitura.
- ◆ Pulire regolarmente le prese di ventilazione dell'elettrodomestico/elettrodomestico/caricabatterie con un pennello o con un panno morbido e asciutto.
- ◆ Il vano del motore deve essere pulito regolarmente con un panno umido. Non usare materiali abrasivi o detersivi a base di solventi.

Protezione dell'ambiente

Effettuare la raccolta differenziata. I prodotti e le batterie contrassegnati con questo simbolo non devono essere smaltiti con i rifiuti domestici normali.

Essi contengono materiali che possono essere recuperati o riciclati, riducendo la richiesta di materie prime. Riciclare i prodotti elettrici e le batterie attenendosi alle disposizioni locali vigenti. Ulteriori informazioni sono disponibili all'indirizzo web www.2helpU.com

Dati tecnici

	NVC115JL (H1) NVC115W (H1) NVC115WA (H1) WDC115WA (H1)	NVC215W (H1) NVC215WA (H1) NVC220WC (H1) WDC215WA (H1)
Tensione (V)	3,6	7,2
Batteria	Agli ioni di litio	Agli ioni di litio
Peso (kg)	0,53	0,67
Caricabatterie	SSC-040015EU/ S003BDV0500015	SSC-080015EU/ S003BEV0800015
Tensione in ingresso (V _{ca})	100 - 240	100 - 240
Tensione in uscita (V)	4	8,25
Corrente (mA)	150	150
Tempo di ricarica approssimativo	10	10

Garanzia

Black & Decker è sicura della qualità dei propri prodotti e offre ai consumatori una garanzia di 24 mesi dalla data di acquisto. Il presente certificato di garanzia è complementare ai diritti legali e non li pregiudica in alcun modo. La garanzia è valida nei territori degli stati membri dell'Unione Europea e dell'EFTA (Associazione europea di libero scambio).

Per attivare la garanzia, il reclamo deve essere effettuato in accordo con i Termini e Condizioni Black&Decker e sarà necessario presentare la prova di acquisto al venditore o all'agente di riparazione autorizzato. I Termini e condizioni della garanzia Black & Decker di 2 anni e la sede dell'agente di riparazione autorizzato più vicino sono consultabili su Internet all'indirizzo www.2helpU.com, o contattando l'ufficio Black & Decker di zona all'indirizzo indicato in questo manuale.

Visitare il nostro sito www.blackanddecker.co.uk per registrare il prodotto Black & Decker appena acquistato e ricevere gli aggiornamenti sui nuovi prodotti e le offerte speciali.

Bedoeld gebruik

Deze BLACK + DECKER Dustbuster® is ontworpen als handstofzuiger voor lichte droge stofzuigwerkzaamheden (NVC115JL, NVC115W, NVC115WA, NVC215W, NVCW215WA, NVC220WC). Het apparaat is uitsluitend bestemd voor huishoudelijk gebruik.

Deze BLACK + DECKER Dustbuster® is ontworpen als handstofzuiger voor lichte natte en droge stofzuigwerkzaamheden (WDC115WA en WDC215WA). Het apparaat is uitsluitend bestemd voor huishoudelijk gebruik.

Veiligheidsinstructies

Waarschuwing! Lees alle veiligheidsinstructies en alle instructies. Wanneer de volgende waarschuwingen en voorschriften niet in acht worden genomen, kan dit een elektrische schok, brand of ernstig letsel tot gevolg hebben.



Waarschuwing! Bij apparaten voor gebruik op accu's moeten bepaalde elementaire voorzorgsmaatregelen, waaronder de navolgende, altijd in acht worden genomen om het gevaar voor brand, lekkende accu's, persoonlijk letsel en materiële schade tot een minimum te beperken.

- ◆ Lees deze handleiding zorgvuldig door voordat u het apparaat in gebruik neemt.
- ◆ In deze handleiding wordt het bedoeld gebruik beschreven. Het gebruik van accessoires of hulpstukken of de uitvoering van handelingen anders dan in deze gebruikershandleiding worden aanbevolen, kan een risico van persoonlijk letsel geven.
- ◆ Bewaar deze handleiding zorgvuldig zodat u deze altijd nog eens kunt raadplegen.

Het apparaat gebruiken

- ◆ Gebruik het apparaat nooit voor het opzuigen van vloeistoffen of materialen die vlam kunnen vatten.
- ◆ Gebruik het apparaat niet in de buurt van water.
- ◆ Dompel het apparaat niet onder in water.
- ◆ Trek de oplader nooit aan het snoer uit het stopcontact. Houd de lader uit de buurt van warmtebronnen, olie en scherpe randen.

- ◆ Dit apparaat mag worden gebruikt door kinderen van 8 jaar en ouder en personen die lichamelijk of geestelijk minder valide zijn of die geen ervaring met of kennis van dit apparaat hebben, mits deze onder toezicht staan of instructies krijgen voor veilig manier gebruik van het apparaat en inzicht hebben in de mogelijke gevaren. Kinderen mogen niet met het apparaat spelen. Laat kinderen nooit zonder toezicht het gereedschap schoonmaken of onderhouden.

Inspectie en reparaties

- ◆ Controleer het apparaat vóór gebruik op beschadigingen en defecten. Controleer het apparaat op gebroken onderdelen, schade aan de schakelaars en andere omstandigheden die de werking ervan kunnen beïnvloeden.
- ◆ Werk niet met het apparaat als een onderdeel beschadigd is of defect.
- ◆ Laat beschadigde of defecte onderdelen door een van onze servicecentra repareren of vervangen.
- ◆ Controleer het snoer van de lader regelmatig op beschadigingen. Vervang de lader als het snoer beschadigd of defect is.
- ◆ Probeer nooit andere onderdelen te verwijderen of te vervangen dan in deze handleiding worden vermeld.

Aanvullende Veiligheidsinstructies

Overige risico's

Er kunnen zich bij het gebruik van dit gereedschap nog meer risico's voordoen, die mogelijk niet in de bijgesloten veiligheidswaarschuwingen worden beschreven. Deze risico's kunnen zich voordoen door onoordeelkundig gebruik, langdurig gebruik, enz.

Zelfs wanneer de veiligheidsvoorschriften in acht worden genomen en de veiligheidsvoorzieningen worden gebruikt, kunnen bepaalde risico's niet worden uitgesloten. Dit zijn onder meer:

- ◆ Verwondingen die worden veroorzaakt door het aanraken van bewegende onderdelen.
- ◆ Verwondingen die worden veroorzaakt door het aanraken van warme onderdelen.
- ◆ Verwondingen die worden veroorzaakt bij het vervangen van onderdelen of accessoires.
- ◆ Verwondingen die worden veroorzaakt door langdurig gebruik van het apparaat. Wanneer u het apparaat gedurende langere perioden gebruikt, is het belangrijk dat u de werkzaamheden regelmatig onderbreekt.

Accu's en laders

Accu's

- ◆ Probeer nooit om welke reden dan ook batterijen open te maken.
- ◆ Stel de accu niet bloot aan water.

- ◆ Stel de accu niet bloot aan hitte.
- ◆ Bewaar de batterijen niet op locaties met temperaturen van meer dan 40°C.
- ◆ Laad de accu alleen op bij een omgevingstemperatuur van 10°C tot 40°C.
- ◆ Gebruik alleen de lader die bij het gereedschap/apparaat is geleverd. Het gebruik van de verkeerde lader kan een elektrische schok of oververhitting van de accu tot gevolg hebben.
- ◆ Gooi lege accu's weg volgens de instructies in het gedeelte "Milieu".
- ◆ U mag de accubehuizing niet beschadigen of vervormen door er gaten in te prikken of ertegen aan te stoten, aangezien dit kan leiden tot letsel of brand.
- ◆ Laad beschadigde batterijen niet op.
- ◆ Onder extreme omstandigheden kan lekkage van batterijen optreden. Wanneer u merkt dat de accu nat of vochtig is, veeg de vloeistof dan voorzichtig af met een doek. Vermijd huidcontact.
- ◆ Volg in het geval van huid- of oogcontact de onderstaande instructies.

Waarschuwing! De accuvloeistof kan lichamelijk letsel en materiële schade veroorzaken. Bij huidcontact moet u de vloeistof direct afspoelen met water. Raadpleeg uw huisarts als er rode vlekken ontstaan of bij een pijnlijke of geïrriteerde huid. Bij oogcontact moet u de vloeistof direct uitspoelen met water en uw huisarts raadplegen.

Laders

De lader is ontworpen voor een bepaalde spanning. Controleer altijd dat de

netspanning overeenkomt met de waarde op het typeplaatje en de informatie in de tabel met technische gegevens.


Waarschuwing! Probeer nooit de lader te voorzien van een normale netstekker.

- ◆ Gebruik de lader van BLACK+DECKER alleen voor de accu in het gereedschap/apparaat waarbij de lader is geleverd. Andere batterijen kunnen openbarsten, met persoonlijk letsel en materiële schade tot gevolg.
- ◆ Niet-oplaadbare accu's mogen nooit worden opgeladen.
- ◆ Als het netsnoer is beschadigd, moet dit worden vervangen door de fabrikant of een BLACK+DECKER-servicecentrum, zodat gevaarlijke situaties worden voorkomen.
- ◆ Stel de lader niet bloot aan water.
- ◆ Open de lader niet.
- ◆ Prik nooit met een scherp voorwerp in de lader.
- ◆ Het apparaat/het gereedschap/de accu moet tijdens het laden in een goed geventileerde ruimte worden geplaatst.

Elektrische veiligheid

De lader is ontworpen voor een bepaalde spanning. Controleer altijd dat de netspanning overeenkomt met de waarde op het typeplaatje. Probeer nooit de lader te voorzien van een normale netstekker.

Symbolen op de lader

- i  Lees deze handleiding zorgvuldig door voordat u het apparaat in gebruik neemt.

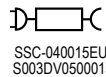
Dit gereedschap is dubbel geïsoleerd, daarom is een aardeaansluiting niet vereist. Controleer altijd dat de stroomvoorziening overeenkomt met de voltage op het typeplaatje.



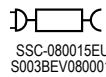
Het laadstation is uitsluitend bestemd voor gebruik binnenshuis.

Labels op het apparaat

Naast de datumcode worden op het apparaat de volgende pictogrammen vermeld:



NVC115JL/NVC115W/NVC115WA/
WDC115WA Alleen te gebruiken met lader
SSC-040015EU/
S003BDV0500015



NVC215W/NVC215WA/NVC220WC/
WDC215WA Alleen te gebruiken met lader
SSC-080015EU/
S003BEV0800015

Functies

Dit gereedschap is voorzien van enkele of alle van de volgende functies.

1. Aan/Uit-schakelaar
2. Ontgrendelknop stofreservoir
3. Stofreservoir
4. Laadstation (alleen apparaten van het type NVC115W, NVC115WA, NVC215W, NVC215WA, NVC220WC, WDC115WA, WDC215WA).
- 4a. Stekker aansluiting lader (alleen apparaat van het type NVC115JL).
5. Intrekbaar kierenhulpstuk (alleen voor NVC215W en NVC220WC)
6. Borstelhulpstuk (alleen voor NVC115WA, NVC215WA, NVC220WC, WDC115WA en WDC215WA)
7. Kierenhulpstuk (alleen NVC115WA)
8. Wissel (alleen apparaten van het type WDC115WA en WDC215WA)

Afb. A

10. Stoffen filter voor droog opzuigen (alleen apparaten van het type NVC)
11. Pre-filter (alleen apparaten van het type NVC)
12. Schuimrubberen inzetstuk voor nat of droog (alleen apparaten van het type WDC)
13. Nat/droog-scheiding (alleen apparaten van het type WDC)

Installatie

Montage aan de wand (alleen apparaten van het type NVC115W, NVC115WA, NVC215W, NVC215WA, NVC220WC, WDC115WA, WDC215WA). (afb. B)

Het apparaat kan aan een wand worden bevestigd zodat het gemakkelijk kan worden opgeborgen en opgeladen.

Selecteer bij wandmontage een bevestigingsmethode die geschikt is voor het type wand en het gewicht van het apparaat.

- ◆ Markeer de locatie van de schroefgaten (binnen bereik van een stopcontact voor het opladen van de stofzuiger wanneer deze in de wandhouder is geplaatst).
- ◆ Bevestig de montagebeugel aan de wand met behulp van schroeven en pluggen die geschikt zijn voor het wandtype en voor het gewicht van het apparaat.
- ◆ Hang het apparaat aan de wand door de opening op de grondplaat van de stofzuiger te plaatsen over de haak in de beugel voor de lader.

Montage

Hulpstukken (afb. C)

Bij deze modellen worden mogelijk een of meer van de volgende accessoires geleverd:

- ◆ Een wisser (9) voor natte, harde oppervlakken.
- ◆ Een borstelhulpstuk (6) voor meubilair en trappen.
- ◆ Een kierenhulpstuk (8) voor kleine ruimtes.
- ◆ Een borstelhulpstuk voor huisdieren (7) voor verwijdering van haar.

Opmerking: Gebruik het borstelhulpstuk nooit direct op een huisdier.

Bevestigen (Afb. C)

- ◆ Plaats het te gebruiken hulpstuk in de voorzijde van het apparaat. Let erop dat u het hulpstuk geheel vastduwt.

Intrekbaar kierenhulpstuk (alleen apparaten van het type NVC215W, NVC215WA en NVC220WC) (Afb. D)

- ◆ Trek het kierenhulpstuk (5) uit, zoals wordt getoond in afbeelding D, tot het op z'n plaats klikt.
- ◆ U kunt het kierenhulpstuk intrekken door knop (5a) in te duwen en het in het stofreservoir (3) terug te duwen, zoals wordt getoond in afbeelding D.

Gebruik van het apparaat

- ◆ Laad de accu vóór het eerste gebruik gedurende ten minste 24 uur op.

Waarschuwing! Let er vooral dat u, voordat u het apparaat oplaadt, alle vloeibare inhoud verwijdert en het apparaat grondig droog maakt, zodat het niet beschadigd raakt.

De accu opladen op het laadstation (alleen apparaten van het type NVC115W, NVC115WA, NVC215W, NVC215WA, NVC220WC, WDC115WA, WDC215WA) (Afb. B)

- ◆ Controleer dat het apparaat is uitgeschakeld. De accu wordt niet opgeladen wanneer de aan/uit-schakelaar (1) is ingedrukt.
- ◆ Plaats het apparaat op de laadbeugel (4).
- ◆ Steek de stekker van de lader in het stopcontact. Controleer dat er spanning op het stopcontact staat.
- ◆ Laat het apparaat ten minste 21 uur opladen.

Tijdens het opladen kan de lader warm worden. Dit is normaal en wijst niet op een probleem. Het apparaat kan voor onbepaalde tijd met de lader verbonden blijven.

Waarschuwing! Laad de accu niet op bij omgevingstemperaturen lager dan 10 °C of hoger dan 40 °C.

De accu opladen met de stekker voor aansluiting van de lader (alleen apparaat van het type NVC115JL) (Afb. B1)

- ◆ Controleer dat het apparaat is uitgeschakeld. De accu wordt niet opgeladen wanneer de aan/uit-schakelaar (1) is ingedrukt.
- ◆ Plaats het stekkertje (4a) in de aansluiting voor de lader (4b).
- ◆ Steek de stekker van de lader in het stopcontact. Controleer dat er spanning op het stopcontact staat.
- ◆ Het LED-indicatielampje gaat branden.
- ◆ Laat het apparaat ten minste 21 uur opladen.

Tijdens het opladen kan de lader warm worden. Dit is normaal en wijst niet op een probleem. Het apparaat kan voor onbepaalde tijd met de lader verbonden blijven.

Waarschuwing! Laad de accu niet op bij omgevingstemperaturen lager dan 10 °C of hoger dan 40 °C.

In- en uitschakelen (afb. E)

- ◆ Schakel het apparaat in door de aan/uit-schakelaar (1) in te drukken en ingedrukt te houden.
- ◆ U schakelt het apparaat uit door de aan/uit-schakelaar (1) los te laten.

Droog stof opzuigen (alleen apparaten van het type NVC)

- ◆ Voor dagelijks droog vuil.

Waarschuwing! Zuig nooit nat materiaal op met deze apparaten.

Nat en droog opzuigen (alleen apparaten van het type WDC)

- ◆ Gebruik voor dagelijks droog vuil het apparaat zonder de wisser.

Waarschuwing! Het product is ontworpen voor kleine hoeveelheden materiaal.

- ◆ Met dit apparaat kunt u ook gemorste vloeistoffen opzuigen. Gebruik de wisser op niet-absorberende, harde oppervlakken. Op absorberende oppervlakken zoals tapijt kan het apparaat natte plekken beter opzuigen zonder het hulpstuk.
- ◆ Plaats voor de beste prestaties op harde, natte oppervlakken de wisser in het mondstuk van het reservoir.
- ◆ Houd voor de beste resultaten met dit hulpstuk het apparaat in een hoek van 45° en trek het langzaam naar u toe.
- ◆ Vul het stofreservoir niet verder dan het einde van de zuiginvoer. Houd, als er vloeistof in het reservoir zit, het apparaat niet ondersteboven of scheef, richt het mondstuk niet naar boven en schud de stofzuiger niet al te veel heen en weer.
- ◆ Na het opzuigen van vloeistof moeten het apparaat en het filter meteen worden gereinigd. Als het apparaat na het opzuigen van vloeistof niet goed wordt gereinigd, kan zich schimmel vormen.
- ◆ Let er vooral dat u, voordat u het apparaat oplaadt, alle vloeibare inhoud verwijdert en het apparaat grondig droog maakt, zodat het niet beschadigd raakt.

Zuigkracht optimaal houden

Voor een optimale zuigkracht moeten de filters regelmatig worden gereinigd.

Het apparaat legen en reinigen.

Stofreservoir en filters verwijderen (afb. F & G).

Waarschuwing! De filters zijn herbruikbaar en moeten regelmatig worden gereinigd.

- ◆ Druk op de ontgrendelingsknop (2) van het reservoir en trek het reservoir (3) los.
- ◆ Houd het stofreservoir boven een vuilnisbak of gootsteen en maak het reservoir leeg door het filter naar buiten te trekken.
- ◆ Plaats het stofreservoir terug door het vast te klikken op de handgreep.

Waarschuwing! Gebruik het apparaat nooit zonder de filters. Het apparaat werkt alleen optimaal wanneer de filters schoon zijn.

Schuimrubberen inzetstuk (afb. H) (alleen apparaten van het type WDC)

- ◆ Plaats het schuimrubberen inzetstuk (12) in het midden van de nat/droog-scheiding (13).

Waarschuwing! Gebruik het apparaat nooit voor natte toepassingen zonder eerst de waterscheiding en het schuimrubberen inzetstuk te plaatsen.

Pre-filter (afb. I) (alleen apparaten van het type NVC)

Het filter en het pre-filter kunnen worden gescheiden zodat ze grondiger kunnen worden gereinigd.

- ◆ Draai het pre-filter (11) naar links en haal het uit het filter (10).

Waarschuwing! Zuig nooit nat materiaal op met deze apparaten.

De stofcompartimenten en filters reinigen

- ◆ De stofcompartimenten en filters kunnen worden gereinigd met warm water met een beetje zeep.
- ◆ Bedenk wel dat de filters en het stofcompartiment droog moeten zijn voordat u deze terugplaatst.

De filters vervangen

De filters moeten om de 6 tot 9 maanden worden vervangen of wanneer ze maar versleten of beschadigd zijn.

Reservefilters zijn verkrijgbaar bij de BLACK + DECKER-leverancier:

Onderhoud

Uw BLACK+DECKER-apparaat/-gereedschap (met netsnoer/snoerloos) is ontworpen om gedurende lange tijd te functioneren met een minimum aan onderhoud. Het continu naar tevredenheid functioneren hangt af van de juiste zorg voor het gereedschap en regelmatig schoonmaken.

Waarschuwing! Ga altijd als volgt te werk voor u onderhouds- of reinigingswerkzaamheden aan het gereedschap (met snoer/snoerloos) uitvoert:

- ◆ Schakel het gereedschap/apparaat uit en trek de stekker uit het stopcontact.
- ◆ Als het gereedschap/apparaat een afzonderlijke accu heeft, schakelt u het gereedschap/apparaat uit en haalt u de accu eruit.
- ◆ Als de accu is ingebouwd, laat u deze volledig ontladen. Schakel dan het apparaat uit.
- ◆ Neem de lader uit het stopcontact voordat u deze schoonmaakt. Behalve regelmatige reiniging vraagt de lader geen onderhoud.
- ◆ Reinig regelmatig de ventilatiesleuven van het gereedschap/apparaat/lader met een zachte borstel of droge doek.
- ◆ Reinig de behuizing van de motor regelmatig met een vochtige doek. Gebruik niet een schurend schoonmaakmiddel of een schoonmaakmiddel op basis van een oplosmiddel.

Het milieu beschermen



Gescheiden afvalinzameling. Producten en accu's waarop dit symbool is aangebracht, mogen niet bij het normale huishoudafval worden weggegooid.

Producten en accu's bevatten materialen die kunnen worden teruggewonnen of gerecycled en dat doet de vraag naar grondstoffen afnemen.

Recycle elektrische producten en accu's volgens de ter plaatse geldende bepalingen. Nadere informatie is beschikbaar op www.2helpU.com

Technische gegevens

	NVC115JL (H1) NVC115W (H1) NVC115WA (H1) WDC115WA (H1)	NVC215W (H1) NVC215WA (H1) NVC220WC (H1) WDC215WA (H1)
Spanning (V)	3,6	7,2
Batterij	Li-Ion	Li-Ion
Gewicht (kg)	0,53	0,67
Lader	SSC-040015EU/ S003BDV0500015	SSC-080015EU/ S003BEV0800015
Ingangsspanning (V _{ac})	100 - 240	100 - 240
Uitgangsspanning (V)	4	8,25
Laadstroom (mA)	150	150
Oplaadtijd ca.	10	10

Garantie

Black & Decker heeft vertrouwen in zijn producten en biedt consumenten een garantie van 24 maanden vanaf de datum van aankoop. Deze garantie vormt een aanvulling op uw wettelijke rechten en beperken deze niet. De garantie is geldig op het grondgebied van de Lidstaten van de Europese Unie en de Europese Vrijhandelszone.

Voor een garantie-aanspraak moet uw aanspraak in overeenstemming zijn met de Voorwaarden en Condities van Black&Decker en moet u een bewijs van aankoop overleggen aan de verkoper of aan een geautoriseerde reparatiemonteur. Voorwaarden en condities van de 2-jarige garantie van Black&Decker en het adres van de vestiging van het geautoriseerde reparatiecentrum bij u in de buurt, kunt u vinden op internet op www.2helpU.com of door contact op te nemen met het Black & Decker-kantoort ter plaatse, op het adres dat in deze handleiding wordt vermeld.

Ga naar onze website www.blackanddecker.co.uk, registreer uw nieuwe product van Black & Decker en ontvang informatie over nieuwe producten en speciale aanbiedingen.

Uso previsto

La aspiradora de mano Dustbuster® de BLACK + DECKER ha sido diseñada para limpieza ligera mediante aspiración (NVC115JL, NVC115W, NVC115WA, NVC215W, NVCW215WA, NVC220WC). Este aparato ha sido concebido únicamente para uso doméstico.

La aspiradora de mano Dustbuster® de BLACK + DECKER ha sido diseñada para proporcionar una limpieza suave por aspiración de residuos secos y húmedos (WDC115WA & WDC215WA). Este aparato ha sido concebido únicamente para uso doméstico.

Instrucciones de seguridad



Advertencia Lea todas las advertencias de seguridad y todas las instrucciones. En caso de no atenerse a las siguientes advertencias e instrucciones de seguridad, podría producirse una descarga eléctrica, incendio o lesión grave.



Advertencia Si utiliza aparatos alimentados por batería, es necesario tomar siempre algunas precauciones de seguridad básicas, incluidas las facilitadas a continuación, para reducir el riesgo de incendio, fugas del electrolito, lesiones y daños materiales.

- ◆ Lea todo el manual detenidamente antes de utilizar el aparato.
- ◆ En este manual se describe el uso para el que se ha diseñado el aparato. La utilización de accesorios o la realización de operaciones distintas a las recomendadas en este manual de instrucciones pueden conllevar un riesgo de lesiones.

- ◆ Conserve este manual para futuras consultas.

Uso del aparato

- ◆ No utilice el aparato para recoger líquidos o materiales inflamables.
- ◆ No utilice el aparato cerca del agua.
- ◆ No sumerja el aparato en agua.
- ◆ No tire del cable para desconectar el cargador de la toma de corriente. Mantenga el cable del cargador alejado de fuentes de calor, aceites y bordes afilados.
- ◆ Ninguna persona (incluidos los niños a partir de 8 años de edad) con capacidades físicas, sensoriales o mentales disminuidas, o que carezca de experiencia y conocimientos, debe utilizar este aparato, salvo que haya recibido supervisión o formación con respecto al uso del aparato de una forma segura y que comprenda los peligros que entraña. Los niños no deben jugar con el aparato. Los niños no deberán realizar las tareas de limpieza y mantenimiento de usuario, salvo que lo hagan bajo supervisión.

Inspecciones y reparaciones

- ◆ Antes de utilizar el aparato, compruebe que no tenga piezas dañadas ni defectuosas. Compruebe que no haya piezas rotas, que los interruptores no estén dañados y que no existan otros defectos que puedan afectar al funcionamiento del aparato.
- ◆ No utilice el aparato si presenta alguna pieza dañada o defectuosa.

- ◆ Solicite al servicio técnico autorizado la reparación o sustitución de las piezas dañadas o defectuosas.
- ◆ Compruebe con regularidad que el cable del cargador no ha sufrido daños. Sustituya el cargador si el cable está dañado o es defectuoso.
- ◆ Nunca intente extraer ni sustituir ninguna pieza que no esté especificada en este manual.

Instrucciones de seguridad adicionales

Riesgos residuales

El uso de esta herramienta puede producir riesgos residuales adicionales no incluidos en las advertencias de seguridad adjuntas. Estos riesgos se pueden generar por un uso incorrecto, demasiado prolongado, etc.

El cumplimiento de las normas de seguridad correspondientes y el uso de dispositivos de seguridad no evitan ciertos riesgos residuales. Dichos riesgos incluyen:

- ◆ Lesiones producidas por el contacto con piezas móviles.
- ◆ Lesiones producidas por el contacto con piezas calientes.
- ◆ Lesiones producidas al cambiar cualquier pieza o accesorio.
- ◆ Lesiones producidas al usar el aparato por un tiempo demasiado prolongado. Si utiliza un aparato durante períodos de tiempo demasiado prolongados, asegúrese de realizar pausas con frecuencia.

Baterías y cargadores

Baterías

- ◆ Jamás trate de abrirla por ninguna razón.
- ◆ No esponga las baterías al agua.
- ◆ No esponga la batería al calor.
- ◆ No las almacene en lugares en los que la temperatura pueda superar los 40 °C.
- ◆ Realice la carga únicamente a una temperatura ambiente de entre 10 °C y 40 °C.
- ◆ Utilice únicamente el cargador suministrado con el aparato o la herramienta para realizar la carga. La utilización de un cargador incorrecto puede producir una descarga eléctrica o el recalentamiento de la batería.
- ◆ Cuando vaya a desechar la batería, siga las instrucciones facilitadas en la sección "Protección del medio ambiente".
- ◆ No dañe ni deforme la batería mediante perforaciones o golpes, ya que puede suponer un riesgo de incendio y de lesiones.
- ◆ No cargue baterías dañadas.
- ◆ Es posible que se produzcan fugas en las baterías en condiciones extremas. Cuando observe que se producen fugas en el conjunto de la batería, limpie cuidadosamente el líquido con un paño. Evite el contacto con la piel.
- ◆ En caso de que se produzca contacto con la piel o los ojos, siga las instrucciones facilitadas a continuación.

Advertencia El líquido de la batería puede provocar lesiones o daños materiales. En caso de contacto con la piel, lave la zona afectada con agua inmediatamente. Si se produce enrojecimiento, dolor o irritación, solicite atención médica. En caso de contacto con los ojos, lave la zona inmediatamente con agua limpia y solicite atención médica.

Cargadores

El cargador ha sido diseñado para un voltaje específico. Compruebe siempre que el voltaje de la red eléctrica corresponda al indicado en la placa de datos y en la información técnica de la tabla de datos.

Advertencia No intente sustituir el cargador por un enchufe convencional para la red eléctrica.

- ◆ Utilice únicamente el cargador BLACK+DECKER suministrado para cargar la batería del aparato o la herramienta. Otras baterías podrían explotar y provocar lesiones y daños materiales.
- ◆ No intente cargar nunca baterías no recargables.
- ◆ Si se dañara el cable de alimentación, deberá ser sustituido por el fabricante o por un centro de asistencia técnica autorizado de BLACK+DECKER para evitar cualquier situación de riesgo.
- ◆ No esponga el cargador al agua.
- ◆ No abra el cargador.
- ◆ No aplique ningún dispositivo para medir la resistencia del cargador.

- ◆ El aparato, la herramienta o la batería deben colocarse en una zona correctamente ventilada durante la carga.

Seguridad eléctrica

El cargador ha sido diseñado para un voltaje específico. Compruebe siempre que el voltaje de la red eléctrica corresponda al valor indicado en la placa de características. No intente sustituir el cargador por un enchufe convencional para la red eléctrica.

Símbolos del cargador



Lea todo el manual detenidamente antes de utilizar el aparato.

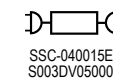
Esta herramienta lleva un doble aislamiento; por lo tanto, no requiere una toma de tierra. Compruebe siempre que el voltaje suministrado corresponda al indicado en la placa de características.



La base del cargador está pensada únicamente para utilizarla en espacios interiores.

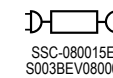
Etiquetas del aparato

Junto con el código de la fecha, en el aparato aparecen los siguientes símbolos:



SSC-040015EU/
S003BDV0500015

NVC115JL/NVC115W/NVC115WA/
WDC115WA Usar solo con el cargador
SSC-040015EU/ S003BDV0500015



SSC-080015EU/
S003BEV0800015

NVC215W/NVC215WA/NVC220WC/
WDC215WA Usar solo con el cargador
SSC-080015EU/ S003BEV0800015

Características

Esta herramienta incluye parte o la totalidad de estas características.

1. Interruptor de encendido/apagado
2. Botón de liberación del depósito
3. Depósito de polvo
4. Base del cargador (solo unidades NVC115W, NVC115WA, NVC215W, NVC215WA, NVC220WC, WDC115WA, WDC215WA).
- 4a. Enchufe del cargador (solo unidad NVC115JL).
5. Boquilla estrecha retráctil (solo NVC215W, NVC215WA y NVC220WC).
6. Cepillo (solo NVC115WA, NVC215WA, NVC220WC, WDC115WA y WDC215WA)
7. Boquilla estrecha (solo NVC115WA)
8. Escobilla de goma (solo unidades WDC115WA y WDC215WA)

Fig. A

10. Filtro de tela para recogida de secos (solo modelos NVC)
11. Prefiltro (solo modelos NVC)
12. Pieza de espuma para limpieza de húmedos/secos (solo modelos WDC)
13. Deflector para limpieza de húmedos/secos (solo modelos WDC)

Instalación

Montaje en pared (solo unidades NVC115W, NVC115WA, NVC215W, NVC215WA, NVC220WC, WDC115WA, WDC215WA). (Fig. B)

El producto puede fijarse a una pared para proporcionar al aparato un punto de almacenaje y de carga adecuado. Cuando fije la base a la pared, asegúrese de que el método de fijación sea el adecuado para el tipo de pared y el peso del aparato.

- ◆ Marque la posición de los orificios de los tornillos (cerca de una toma corriente eléctrica para poder cargar la aspiradora mientras está fijada a la pared).
- ◆ Fije el soporte de montaje a la pared utilizando los tornillos y tarugos adecuados para el tipo de pared y para el peso del aparato.
- ◆ Cuelgue el aparato en la pared colocando la abertura de la base de la aspiradora sobre los ganchos de la pieza de carga.

Montaje

Accesorios (Fig. C)

Estos modelos pueden suministrarse con algunos de los accesorios siguientes:

- ◆ Una escobilla de goma (9) para secar superficies duras.
- ◆ Un cepillo (6) para los muebles y las escaleras.
- ◆ Una boquilla estrecha (8), para acceder a espacios estrechos.

- ◆ Un cepillo para mascotas (7) para eliminar el pelo de las mascotas.

Nota: Nunca use el cepillo para mascotas directamente sobre una mascota.

Colocación (Fig. C)

- ◆ Introduzca el accesorio apropiado en la parte frontal del aparato. Compruebe haber introducido completamente el accesorio.

Boquilla estrecha retráctil (solo unidades NVC215W, NVC215WA y NVC220WC) (Fig. D)

- ◆ Extienda la boquilla estrecha (5) como se muestra en la figura D, hasta que encaje en su posición.
- ◆ Para retraer la boquilla estrecha, presione el botón (5a) y deslice hacia atrás en contenedor de polvo (3) como se muestra en la figura D.

Uso

- ◆ Antes de utilizarlo por primera vez, la batería se debe cargar durante 24 horas como mínimo.

Advertencia Antes de cargar el aparato, asegúrese de vaciar todo el contenido líquido y séquelos totalmente para evitar daños al aparato.

Cargar la batería usando la base de carga (solo unidades NVC115W, NVC115WA, NVC215W, NVC215WA, NVC220WC, WDC115WA, WDC215WA) (Fig. B)

- ◆ Compruebe que el aparato esté apagado. La batería no se cargará si el interruptor de encendido/apagado (1) está pulsado.
- ◆ Coloque el aparato en el soporte del cargador (4).
- ◆ Enchufe el cargador. Conéctelo a la red eléctrica.
- ◆ El aparato se debe cargar durante un mínimo de 21 horas.

Durante la carga, es posible que el cargador se caliente. Esto es normal y no indica ningún problema. Se puede dejar el aparato conectado al cargador indefinidamente.

Advertencia No cargue la batería si la temperatura ambiente es inferior a 10 °C o superior a 40 °C.

Cargar la batería usando el conector jack del cargador (solo unidad NVC115JL) (Fig. B1)

- ◆ Compruebe que el aparato esté apagado. La batería no se cargará si el interruptor de encendido/apagado (1) está pulsado.
- ◆ Introduzca el conector jack del cargador (4a) en la toma de carga (4b).
- ◆ Enchufe el cargador. Conéctelo a la red eléctrica.
- ◆ Se encenderá el indicador LED.
- ◆ El aparato se debe cargar durante un mínimo de 21 horas.

Durante la carga, es posible que el cargador se caliente. Esto es normal y no indica ningún problema. Se puede dejar el aparato conectado al cargador indefinidamente.

Advertencia No cargue la batería si la temperatura ambiente es inferior a 10 °C o superior a 40 °C.

Encendido y apagado (Fig. E)

- ◆ Para encender el aparato, mantenga pulsado el interruptor de encendido y apagado (1).
- ◆ Para apagar el aparato, suelte el conmutador de encendido/apagado (1).

Recogida de residuos secos (solo unidades NVC)

- ◆ Para residuos corrientes de material seco.
- Advertencia** Nunca recoja materiales húmedos con estos modelos.

Recogida de residuos líquidos y secos (solo unidades WDC)

- ◆ Para recogidas corrientes de material seco, no utilice la escobilla de goma del aparato.

Advertencia Este producto está diseñado para residuos ligeros únicamente.

- ◆ Este aparato también puede usarse para recoger residuos líquidos corrientes. Para las superficies duras, no absorbentes, utilice la escobilla de goma. En superficies absorbentes como, por ejemplo, una alfombra, el aparato aspirará mejor los residuos líquidos sin instalar el accesorio.
- ◆ Para obtener mejores resultados en las recolecciones en húmedo en superficies duras, introduzca la escobilla de goma en la boquilla del recipiente.
- ◆ Para obtener óptimos resultados al utilizar este accesorio, sujete el aparato con un ángulo de 45° y tire de éste lentamente hacia usted.
- ◆ Al llenar el recipiente, no rebase el conducto de entrada. Si hay líquido en el depósito, no ponga la unidad boca abajo, de lado ni con la boquilla mirando hacia arriba, ni agite en exceso la aspiradora.
- ◆ Después de recoger sustancias líquidas, limpie enseguida el aparato y el filtro. Si la unidad no se limpia adecuadamente después de las recolecciones en húmedo, se puede formar moho.
- ◆ Antes de cargar el aparato, asegúrese de vaciar todo el contenido líquido y séquelos totalmente para evitar daños al aparato.

Optimización de la fuerza de succión

Para que el aparato conserve toda su fuerza de succión, es necesario limpiar los filtros periódicamente durante su uso.

Vaciado y limpieza del producto.

Extracción del depósito y de los filtros de polvo (Fig. F y G).

Advertencia Los filtros son reutilizables y se deben limpiar con regularidad.

- ◆ Presione el botón de liberación del recipiente (2) y extraiga el recipiente para el polvo (3) tirando de él en línea recta.
- ◆ Para vaciar el contenido del recipiente para el polvo, extraiga el filtro sobre un cubo o fregadero.
- ◆ Para sustituir el recipiente para el polvo, vuelva a colocarlo en el soporte asegurándose de que quede bien encajado en su sitio.

Advertencia No utilice nunca el aparato sin filtros. Conseguirá un óptimo rendimiento del aparato solo si los filtros están limpios.

Pieza de espuma (Fig. H) (solo modelos WDC)

- ◆ Introduzca la pieza de espuma (12) en el centro del deflector para limpieza en húmedo/seco (13).

Advertencia No utilice nunca el aparato para limpiezas en húmedo sin haber colocado el deflector de agua y la pieza de espuma.

Prefiltro (Fig. I) (solo modelos NVC)

El filtro y el prefiltro pueden separarse para facilitar su limpieza.

- ◆ Gire el prefiltro (11) en sentido antihorario y levántelo para separarlo del filtro (10).

Advertencia Nunca recoja materiales húmedos con estos modelos.

Limpieza de los depósitos y filtros para el polvo

- ◆ Los recipientes y filtros para el polvo pueden limpiarse con agua caliente y jabonosa.
- ◆ Antes de volver a colocar los filtros y el recipiente para el polvo, asegúrese de que estén secos.

Sustitución de los filtros

Es necesario cambiar los filtros cada 6 o 9 meses y cuando se gasten o se dañen. Encontrará filtros de repuesto en el distribuidor BLACK+DECKER más cercano:

Mantenimiento

Su aparato o herramienta con o sin cable de BLACK+DECKER ha sido diseñada para funcionar durante un largo período de tiempo con un mantenimiento mínimo. El funcionamiento satisfactorio y continuo depende del buen cuidado de la herramienta y de una limpieza frecuente.

Advertencia Antes de realizar el mantenimiento de herramientas eléctricas con o sin cables:

- ◆ Apague y desenchufe el aparato o herramienta.
- ◆ O bien, apague y extraiga las pilas o la batería del aparato o herramienta, en caso de que disponga de una batería separada.
- ◆ O bien, deje que la batería se agote por completo si es integral y, a continuación, apague la máquina.
- ◆ Desenchufe el cargador antes de limpiarlo. El cargador no requiere ningún mantenimiento especial excepto la limpieza periódica.
- ◆ Limpie periódicamente las ranuras de ventilación de la herramienta, aparato o cargador con un cepillo suave o un paño seco.
- ◆ Limpie periódicamente la carcasa del motor con un paño húmedo. No utilice limpiadores abrasivos o a base de disolventes.

Tendrá que adjuntar un justificante de compra al vendedor o al agente técnico autorizado. Las condiciones de la garantía de 2 años de Black & Decker y la ubicación de su agente técnico autorizado más cercano se pueden obtener en Internet en www.2helpU.com o poniéndose en contacto con su oficina local de Black & Decker en la dirección que se indica en este manual.

Visite nuestro sitio web www.blackanddecker.co.uk y registre su nuevo producto Black & Decker para mantenerse al día sobre los nuevos productos y las ofertas especiales.

Protección del medioambiente



Recogida selectiva. Los productos y las baterías marcadas con este símbolo no se deben eliminar con los residuos domésticos normales.

Los productos y las baterías que contienen materiales que se puedan recuperar o reciclar reducen la demanda de materias primas.

Recicle los productos eléctricos y las baterías de conformidad con la normativa local. Puede obtener más información en www.2helpU.com

Datos técnicos

	NVC115JL (H1) NVC115W (H1) NVC115WA (H1) WDC115WA (H1)	NVC215W (H1) NVC215WA (H1) NVC220WC (H1) WDC215WA (H1)
Tensión (V)	3.6	7.2
Batería	Litio-ión	Litio-ión
Peso (kg)	0.53	0.67
Cargador	SSC-040015EU/ S003BDV0500015	SSC-080015EU/ S003BEV0800015
Entrada de tensión (V _{ca})	100 - 240	100 - 240
Voltaje de salida (V)	4	8.25
Corriente (mA)	150	150
Tiempo de carga aproximado	10	10

Garantía

Black & Decker confía en la calidad de sus productos y ofrece a los consumidores una garantía de 24 meses a partir de la fecha de compra. Esta garantía es adicional a sus derechos legales y no los menoscaba en modo alguno. La garantía es válida dentro de los territorios de los Estados Miembros de la Unión Europea y del Área de Libre Comercio Europea.

Para reclamar la garantía, la reclamación se debe presentar de conformidad con las condiciones de Black & Decker.

Utilização prevista

O aspirador portátil Dustbuster® da BLACK + DECKER foi concebido para limpeza ligeira a vácuo de detritos secos (NVC115JL, NVC115W, NVC115WA, NVC215W, NVCW215WA, NVC220WC). Este aparelho destina-se apenas a utilização doméstica.

O aspirador portátil Dustbuster® BLACK & DECKER foi concebido para a limpeza ligeira a vácuo de detritos líquidos e sólidos (WDC115WA, WDC215WA). Este aparelho destina-se apenas a utilização doméstica.

Instruções de segurança



Atenção! Leia todos os avisos de segurança e todas as instruções. O não cumprimento dos seguintes avisos e instruções pode resultar em choque eléctrico, incêndio e/ou graves lesões.



Atenção! Quando utilizar aparelhos alimentados a pilhas, deve cumprir determinadas medidas de segurança, incluindo as que se seguem, de modo a reduzir os riscos de incêndio, fugas nas pilhas, ferimentos pessoais e danos do material.

- ◆ Leia cuidadosamente o manual completo antes de utilizar este aparelho.
- ◆ A utilização prevista para este aparelho está descrita no manual. A utilização de qualquer acessório ou a execução de qualquer operação com este aparelho que não esteja incluída no presente manual de instruções poderá representar um risco de ferimentos pessoais.
- ◆ Conserve este manual para referência futura.

Utilizar o equipamento

- ◆ Não utilize este aparelho para aspirar líquidos ou quaisquer materiais combustíveis.
- ◆ Não utilize este aparelho perto de água.
- ◆ Não mergulhe o aparelho em água.
- ◆ Nunca puxe pelo cabo do carregador para desligar o carregador da tomada. Mantenha o cabo do carregador afastado do calor, combustíveis e extremidades afiadas.
- ◆ Este aparelho pode ser utilizado por crianças com 8 anos de idade ou mais e por pessoas que apresentem capacidades físicas, sensoriais ou mentais reduzidas ou que não possuam os conhecimentos e a experiência necessários, se forem vigiadas e instruídas acerca da utilização do aparelho de uma forma segura e entenderem os perigos envolvidos. As crianças não devem mexer no equipamento. A limpeza e manutenção não deverão ser

efetuadas por crianças sem supervisão.

Inspeção e reparações

- ◆ Antes da utilização, verifique a existência de peças danificadas ou avariadas no aparelho. Verifique se há peças partidas, danos nos interruptores ou outro tipo de condições que possam afectar o seu funcionamento.
- ◆ Não utilize o aparelho se alguma das peças se encontrar danificada ou avariada.
- ◆ Mande reparar ou substituir quaisquer peças danificadas ou avariadas por um agente de reparação autorizado.
- ◆ Verifique regularmente se existem danos no cabo do carregador. Substitua o carregador se o cabo estiver danificado ou com defeitos.
- ◆ Nunca tente retirar ou substituir quaisquer peças que não as especificadas neste manual.

Instruções de segurança adicionais

Riscos residuais

Podem surgir riscos residuais adicionais durante a utilização da ferramenta, que poderão não constar nos avisos de segurança incluídos. Estes riscos podem resultar de má utilização, uso prolongado, etc.

Mesmo com o cumprimento dos regulamentos de segurança relevantes e a implementação de dispositivos de segurança, alguns riscos residuais não podem ser evitados. Estes incluem:

- ◆ Ferimentos causados pelo contacto com peças em movimento.
- ◆ Ferimentos causados pelo contacto com peças quentes.
- ◆ Ferimentos causados durante a troca de peças ou acessórios.
- ◆ Ferimentos causados pela utilização prolongada do aparelho. Quando utilizar um aparelho durante um período prolongado, faça intervalos regulares.

Baterias e carregadores

Pilhas

- ◆ Nunca tente abrir a pilha, seja qual for o motivo.
- ◆ Não exponha a pilha à água.
- ◆ Não exponha a bateria ao calor.
- ◆ Não armazene em locais onde a temperatura possa exceder os 40°C.
- ◆ Carregue apenas a temperaturas ambiente entre 10°C e 40°C.
- ◆ Carregue apenas com o carregador fornecido com o aparelho/ferramenta. A utilização do carregador errado pode resultar em choque eléctrico ou sobreaquecimento da pilha.
- ◆ Ao eliminar as baterias, siga as instruções indicadas na secção "Proteção do ambiente".
- ◆ Não danifique a pilha por perfuração ou impacto, pois poderá originar risco de ferimentos e incêndio.
- ◆ Não carregue pilhas danificadas.
- ◆ Em condições extremas, pode ocorrer uma fuga nas pilhas. Se detetar a fuga de líquido das pilhas, limpe o líquido

cuidadosamente com um pano. Evite o contacto com a pele.

- ◆ Em caso de contacto com a pele ou com os olhos, siga as instruções seguintes.

Atenção! O electrólito da bateria pode causar ferimentos ou danos materiais. Em caso de contacto com a pele, enxague imediatamente com água. Em caso de vermelhidão, dor ou irritação, contacte um médico. Em caso de contacto com os olhos, enxague imediatamente com água limpa e procure ajuda médica.

Carregadores

O carregador foi concebido para uma tensão específica. Verifique sempre se a tensão de alimentação corresponde à tensão indicada na placa de especificações e as informações indicadas na tabela de dados técnicos.

Atenção! Nunca tente substituir a unidade do carregador por uma tomada de alimentação normal.

- ◆ Utilize o carregador BLACK+DECKER apenas para carregar a bateria do aparelho/ferramenta com o qual foi fornecido. Outras pilhas podem rebentar, provocando ferimentos e danos.
- ◆ Nunca tente carregar baterias não recarregáveis.
- ◆ Se o cabo de alimentação estiver danificado, terá de ser substituído pelo fabricante ou por um centro de assistência autorizado BLACK+DECKER para evitar acidentes.
- ◆ Não exponha o carregador à água.
- ◆ Não abra o carregador.

- ◆ Não manipule o interior do carregador.
- ◆ O aparelho/ferramenta/bateria deve ser colocado numa área com boa ventilação durante o carregamento.

Segurança eléctrica

O carregador foi concebido para uma tensão específica. Verifique sempre se a tensão de alimentação corresponde à tensão indicada na placa sinalética. Nunca tente substituir a unidade do carregador por uma tomada de alimentação normal.

Símbolos no carregador



Leia cuidadosamente o manual completo antes de utilizar este aparelho.

Esta ferramenta tem isolamento duplo. Por esse motivo, não precisa de ligação à terra. Verifique sempre se a tensão da tomada de electricidade corresponde à voltagem indicada na placa com os requisitos de alimentação da ferramenta.

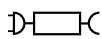


Apenas deverá ser feita uma utilização interior da base de carga.



Rótulos do aparelho

O aparelho apresenta os seguintes símbolos juntamente com o código de data:



SSC-040015EU/
S003BDV0500015

NVC115JL/NVC115W/NVC115WA/
WDC115WA Só devem ser utilizados
com o carregador SSC-040015EU/
S003BDV0500015



SSC-080015EU/
S003BEV0800015

NVC215W/NVC215WA/NVC220WC/
WDC215WA Só devem ser utilizados
com o carregador SSC-080015EU/
S003BEV0800015

Componentes

Esta ferramenta inclui algumas ou todas as características seguintes.

1. Interruptor de ligar/desligar
2. Botão de desbloqueio do depósito
3. Depósito de poeiras
4. Base de carga (apenas nas unidades NVC115W, NVC115WA, NVC215W, NVC215WA, NVC220WC, WDC115WA, WDC215WA).
- 4a. Ficha do carregador (apenas na unidade NVC115JL).
5. Boquilha retrátil (apenas nos modelos NVC215W, NVC215WA e NVC220WC)
6. Acessório de escova (apenas nos modelos NVC115WA, NVC215WA, NVC220WC, WDC115WA e WDC215WA)
7. Boquilha (apenas no modelo NVC115WA)
8. Espátula (apenas nas unidades WDC115WA e WDC215WA)

Fig. A

10. Filtro em tecido de recolha de resíduos secos (apenas nas unidades NVC)
11. Pré-filtro (apenas nas unidades NVC)
12. Acessório em espuma para resíduos líquidos/secos (apenas nas unidades WDC)
13. Deflector para resíduos líquidos/secos (apenas nas unidades WDC)

Instalação

Montagem na parede (apenas nas unidades NVC115W, NVC115WA, NVC215W, NVC215WA, NVC220WC, WDC115WA, WDC215WA). (Fig. B)

O aparelho pode ser fixado na parede para proporcionar uma arrumação e um ponto de carga do aparelho práticos.

Ao fixar o aparelho numa parede, certifique-se de que o método de fixação é adequado ao tipo de parede e ao peso do aparelho.

- ◆ Marque o local dos orifícios dos parafusos (ao alcance de uma tomada eléctrica para carregar o aspirador quando este se encontra no suporte de parede).
- ◆ Fixe o suporte de montagem na parede utilizando parafusos e buchas adequados ao tipo de parede e ao peso do aparelho.
- ◆ Pendure o aparelho na parede colocando a abertura da base do aspirador sobre o gancho do suporte de carga de montagem na parede.

Montagem

Acessórios (Fig. C)

Estes modelos podem ser fornecidos com alguns dos seguintes acessórios:

- ◆ Uma espátula (9) para utilização em líquidos em superfícies rígidas.
- ◆ Uma escova (6) para móveis e escadas.
- ◆ Um acessório de ponta chata (8) para espaços exíguos.
- ◆ Uma escova para animais de estimação (7) para remoção de pêlos de animais.

Nota: Nunca utilize esta escova directamente nos animais.

Encaixe (Fig. C)

- ◆ Introduza o acessório adequado na parte frontal do aparelho, tal como ilustrado. Certifique-se de que o acessório está completamente introduzido.

Boquilha retrátil (apenas nas unidades NVC215W, NVC215WA e NVC220WC) (Fig. D)

- ◆ Estique a boquilha (5), como indicado na Figura D, até encaixar no respectivo local.
- ◆ Para recolher a boquilha, pressione o botão (5a) e deslize para trás na direcção do depósito de poeiras (3) como indicado na Figura D.

Utilização

- ◆ Antes da primeira utilização, a bateria deve ser carregada durante pelo menos 24 horas.

Atenção! Para evitar danos no aparelho, antes de carregar certifique-se de que este não contém líquidos e que está seco.

Carregar a bateria através da base de carga (apenas nas unidades NVC115W, NVC115WA, NVC215W, NVC-215WA, NVC220WC, WDC115WA, WDC215WA) (Fig. B)

- ◆ Certifique-se de que o aparelho está desligado. A bateria não carrega com o interruptor para ligar/desligar (1) premido.
- ◆ Coloque o aparelho no suporte de carga (4).
- ◆ Ligue o carregador. Ligue à corrente.
- ◆ Deixe o aparelho a carregar pelo menos 21 horas.

Ao carregar, o carregador pode aquecer. Isto é normal e não representa um problema. O aparelho pode ser deixado sempre ligado ao carregador.

Atenção! Não carregue a bateria a temperaturas ambientes abaixo de 10 °C ou acima de 40 °C.

Carregar a bateria através da ficha do carregador (apenas na unidade NVC115JL) (Fig. B1)

- ◆ Certifique-se de que o aparelho está desligado. A bateria não carrega com o interruptor para ligar/desligar (1) premido.

- ◆ Introduza a ficha do carregador (4a) na porta de carga (4b).
- ◆ Ligue o carregador. Ligue à corrente.
- ◆ O indicador LED acende-se.
- ◆ Deixe o aparelho a carregar pelo menos 21 horas.

Ao carregar, o carregador pode aquecer. Isto é normal e não representa um problema. O aparelho pode ser deixado sempre ligado ao carregador.

Atenção! Não carregue a bateria a temperaturas ambientes abaixo de 10 °C ou acima de 40 °C.

Ligar e desligar (Fig. E)

- ◆ Para ligar o aparelho, mantenha premido o interruptor para ligar/desligar (1).
- ◆ Para desligar o aparelho, solte o interruptor ligar/desligar (1).

Recolha de resíduos secos (apenas nas unidades NVC)

- ◆ Para uso diário em resíduos secos.
- Atenção!** Nunca utilize estas unidades para recolher aplicações em líquidos.

Recolha de resíduos líquidos e secos (apenas nas unidades WDC)

- ◆ Para a utilização diária em resíduos secos, utilize o aparelho sem a espátula.

Atenção! Este produto foi concebido apenas para pequenas sujidades.

- ◆ Este equipamento também pode ser utilizado para a recolha diária de resíduos líquidos. Utilize o acessório de rolo de borracha em superfícies rígidas não absorventes. Em superfícies absorventes, tais como alcatifas, o seu aparelho recolhe derrames de líquidos sem o acessório.
- ◆ Para um melhor desempenho de recolha de líquidos em superfícies rígidas, insira a espátula na abertura do bocal do depósito.
- ◆ Para melhores resultados ao utilizar este acessório, mantenha o aparelho a um ângulo de 45° e puxe-o lentamente na sua direcção.
- ◆ Não encha o depósito acima do limite do cano de entrada. Em caso de existência de líquidos no depósito, não vire a unidade ao contrário, não incline, não aponte o bocal para cima nem abane excessivamente o aspirador.
- ◆ Depois de recolher resíduos líquidos, limpe o depósito e o filtro imediatamente. Se a unidade não for limpa após a recolha de líquidos, poderá formar-se bolor e mofo.
- ◆ Para evitar danos no aparelho, antes de carregar certifique-se de que este não contém líquidos e que está seco.

Optimizar a potência de sucção

Para garantir uma potência de sucção otimizada, os filtros devem ser limpos regularmente durante a utilização.

Esvaziar e limpar o aparelho.

Remover o depósito de poeiras e os filtros (Fig. F e G).

- Atenção!** Os filtros são re-utilizáveis e devem ser limpos regularmente.
- ◆ Pressione o botão de desbloqueio do depósito (2) e retire o depósito de poeiras (3).
 - ◆ Segurando o depósito de poeiras sobre um caixote do lixo ou lavatório, retire o filtro para esvaziar o conteúdo do depósito.
 - ◆ Para voltar a montar o depósito de poeiras, coloque-o novamente no manípulo até este encaixar na posição correcta.

Atenção! Nunca utilize o aparelho sem filtros. Só será obtida uma excelente recolha das poeiras com os filtros limpos.

Acessório em espuma (Fig. H) (apenas nas unidades WDC)

- ◆ Coloque o acessório em espuma (12) no centro do deflector de resíduos secos/líquidos (13).

Atenção! Nunca utilize o aparelho para aplicação em líquidos sem o deflector de líquidos e o acessório em espuma instalados.

Pré-filtro (Fig. I) (apenas nas unidades NVC)

O filtro e o pré-filtro podem ser separados para permitir uma limpeza mais eficaz.

- ◆ Rode o pré-filtro (11) no sentido contrário ao dos ponteiros do relógio e retire-o do filtro (10).

Atenção! Nunca utilize estas unidades para recolher aplicações em líquidos.

Limpar os compartimentos de poeiras e os filtros

- ◆ Os depósitos de poeiras e os filtros podem ser lavados em água tépida com sabão.
- ◆ Antes de reinstalar, certifique-se de que os filtros e o depósito de poeiras estão secos.

Substituição dos filtros

Os filtros deverão ser substituídos a cada 6 a 9 meses e sempre que estiverem gastos ou danificados.

Os filtros para substituição estão disponíveis junto do seu revendedor BLACK+DECKER:

Manutenção

O seu aparelho/ferramenta com/sem fios BLACK+DECKER foi concebido para funcionar durante muito tempo, com um mínimo de manutenção. Uma utilização continuamente

satisfatória depende de uma manutenção apropriada da ferramenta e de uma limpeza regular.

Atenção! Antes de proceder a qualquer ação de manutenção em ferramentas elétricas com cabo/sem fio:

- ◆ Desligue o aparelho/ferramenta e retire a respectiva ficha da tomada.
- ◆ Ou desligue e remova a bateria do aparelho/ferramenta caso o aparelho/ferramenta tenha uma bateria individual.
- ◆ Também pode deixar a bateria descarregar completamente se for integral e, em seguida, desligue-a.
- ◆ Desligue o carregador antes de o limpar. O seu carregador não necessita de manutenção para além da limpeza regular.
- ◆ Limpe regularmente as aberturas de ventilação do aparelho/ferramenta/carregador com uma escova macia ou um pano seco.
- ◆ Limpe regularmente o compartimento do motor com um pano húmido. Não utilize produtos de limpeza abrasivos ou à base de dissolventes.

Proteção do ambiente



Faça uma recolha de lixo selectiva. Os produtos e as pilhas assinaladas com este símbolo não devem ser eliminados juntamente com o lixo doméstico normal.

Os produtos e as pilhas contêm materiais que podem ser recuperados ou reciclados, reduzindo assim a necessidade de matérias-primas.

Recicle os produtos eléctricos e as pilhas de acordo com as disposições locais. Estão disponíveis mais informações em www.2helpU.com

Dados técnicos

	NVC115JL (H1) NVC115W (H1) NVC115WA (H1) WDC115WA (H1)	NVC215W (H1) NVC215WA (H1) NVC220WC (H1) WDC215WA (H1)
Tensão (V)	3,6	7,2
Pilha	Íões de lítio	Íões de lítio
Peso (kg)	0,53	0,67
Carregador	SSC-040015EU/ S003BDV0500015	SSC-080015EU/ S003BEV0800015
Tensão de entrada (V _{ca})	100 - 240	100 - 240
Tensão de saída (V)	4	8,25
Corrente (mA)	150	150
Tempo de carga aprox.	10	10

Garantia

A Black & Decker confia na qualidade dos seus produtos e oferece aos clientes uma garantia de 24 meses a partir da data de compra. Esta garantia é um complemento dos seus direitos estabelecidos por lei, não os prejudicando e

forma alguma. A garantia é válida nos Estados-membros da União Europeia e nos países-membros da Zona Europeia de Comércio Livre.

Para acionar a garantia, esta deve estar em conformidade com os termos e condições da Black&Decker e terá de apresentar o comprovativo de compra ao vendedor ou a um agente de reparação autorizado. Os termos e condições da garantia de 2 anos da Black&Decker e a localização do agente de reparação autorizado mais próximo pode ser obtido na Internet em www.2helpU.com ou contactando uma filial da Black & Decker, cuja morada está indicada neste manual.

Visite o nosso website www.blackanddecker.co.uk para registar o seu novo produto Black & Decker e receber atualizações sobre novos produtos e ofertas especiais.



Varning! Vid användning av batteridrivna apparater ska grundläggande säkerhetsåtgärder, inklusive följande föreskrifter, alltid följas för att minska risken för brand, läckande batterier, personskador och materiella skador.

- ♦ Läs hela den här bruksanvisningen noggrant innan du använder apparaten.
- ♦ Avsedd användning beskrivs i den här bruksanvisningen. Använd inte apparaten med andra tillbehör eller tillsatser än de som rekommenderas i den här bruksanvisningen eftersom detta kan leda till personskador.
- ♦ Spara den här bruksanvisningen för framtida bruk.

Använda apparaten

- ♦ Använd inte apparaten för att suga upp vätskor eller material som kan fatta eld.
- ♦ Använd inte apparaten i närheten av vatten.
- ♦ Doppa aldrig ned apparaten i vatten.
- ♦ Dra aldrig i sladden till laddaren när du drar ut den från vägguttaget. Håll sladden till laddaren borta från värme, olja och vassa kanter.
- ♦ Apparaten kan användas av barn från åtta år och personer med nedsatt fysisk eller psykisk förmåga eller bristande erfarenhet eller kunskap, om de övervakas och får instruktioner om användningen av apparaten och är

Avsedd användning

Din BLACK + DECKER Dustbuster® handdammsugare har konstruerats för lätt torrdammsugning (NVC115JL, NVC115W, NVC115WA, NVC215W, NVCW215WA, NVC220WC). Apparaten är endast avsedd för hemmabruk.

Din handdammsugare från BLACK + DECKER Dustbuster® är avsedd för lättare torrdammsugning och uppsugning av mindre vätskemängder (WDC115WA, WDC215WA). Apparaten är endast avsedd för hemmabruk.

Säkerhetsinstruktioner



Varning! Läs alla säkerhetsvarningar och instruktioner.

Fel som uppstår till följd av att varningarna och instruktionerna som listas nedan inte följts kan orsaka elstötar, brand och/eller allvarliga kroppsskador.

medvetna om riskerna. Barn ska inte leka med apparaten. Rengöring och användarunderhåll ska inte utföras av barn utan övervakning.

Kontroll och reparationer

- ♦ Kontrollera att apparaten inte är skadad eller har defekta delar. Kontrollera att inga delar är trasiga, att strömbrytaren fungerar och att inget annat föreligger som kan påverka dess funktion.
- ♦ Använd inte apparaten om någon del har skadats eller gått sönder.
- ♦ Reparera eller byt ut skadade eller trasiga delar på en auktoriserad verkstad.
- ♦ Kontrollera regelbundet att sladden till laddaren inte har skadats. Byt ut laddaren om sladden är skadad eller trasig.
- ♦ Försök aldrig avlägsna eller byta ut andra delar än de som anges i den här bruksanvisningen.

Ytterligare säkerhetsinstruktioner

Övriga risker

Ytterligare risker som inte finns med i de bifogade säkerhetsanvisningarna kan uppstå när verktyget används. Dessa risker kan uppstå vid felaktig eller långvarig användning, etc.

Även om alla relevanta säkerhetsanvisningar följs och säkerhetsanordningar används kan vissa ytterligare risker inte undvikas. Dessa omfattar:

- ♦ Skador orsakade av att rörliga delar vidrörs.

- ♦ Skador orsakade av att varma delar vidrörs.
- ♦ Skador som uppstår vid byte av delar eller tillbehör.
- ♦ Skador som orsakas av långvarig användning av apparaten. Se till att ta regelbundna pauser när du använder en apparat under en längre period.

Batteri och laddare

Batterier

- ♦ Försök aldrig öppna batteriet.
- ♦ Utsätt inte batteriet för vatten.
- ♦ Utsätt inte batteriet för värme.
- ♦ Förvara inte på platser där temperaturen kan bli högre än 40°C.
- ♦ Ladda endast vid temperaturer mellan 10°C och 40°C.
- ♦ Ladda endast med hjälp av laddaren som medföljer apparaten/verktyget. Användning av fel laddare kan resultera i en elektrisk stöt eller att batteriet överhettas.
- ♦ Följ instruktionerna som anges i avsnittet "Skydda miljön" när du kastar batterierna.
- ♦ Skydda batteripaketet från skador/deformeringar i form av slag och stötar eftersom det kan leda till personskador eller eldsvåda.
- ♦ Ladda inte skadade batterier.
- ♦ Under extrema förhållanden kan batterierna läcka. Om det finns vätska på batterierna ska du torka bort vätskan försiktigt med en trasa. Undvik hudkontakt.

- ◆ Följ instruktionerna nedan vid kontakt med hud eller ögon.

Varning! Batterivätskan kan orsaka person- eller materialskador. Vid hudkontakt, skölj genast med vatten. Vid rodnader, smärta eller irritation ska läkare uppsökas. Vid kontakt med ögon, skölj genast med rent vatten och uppsök läkare.

Laddare

Laddaren är avsedd för en viss spänning. Kontrollera alltid att nätspänningen överensstämmer med spänningen på typskylten och informationen i tabellen med tekniska data.

Varning! Försök aldrig byta ut laddaren mot en vanlig nätkontakt.

- ◆ Använd endast laddaren från BLACK+DECKER för att ladda batteriet i apparaten/verkytget som den levererades med. Andra batterier kan spricka och orsaka personskador och andra skador.
- ◆ Försök aldrig ladda batterier som inte är uppladdningsbara.
- ◆ Om nätsladden är skadad måste den bytas ut av tillverkaren eller en auktoriserad BLACK+DECKER-verkstad för att undvika farliga situationer.
- ◆ Utsätt inte laddaren för vatten.
- ◆ Öppna inte laddaren.
- ◆ Gör ingen åverkan på laddaren.
- ◆ Redskapet/verkytget/batteriet ska placeras på en plats med god ventilation vid laddning.

Elsäkerhet

Laddaren är avsedd för en viss spänning. Kontrollera alltid att nätspänningen överensstämmer med spänningen på typskylten. Försök aldrig byta ut laddaren mot en vanlig nätkontakt.

Symboler på laddaren



Läs hela den här bruksanvisningen noggrant innan du använder apparaten.



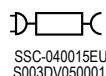
Eftersom verkytget är dubbelisolerat behövs ingen jordledare. Kontrollera alltid att spänningen på nätet motsvarar den spänning som finns angiven på märkplåten.



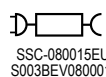
Laddaren är endast avsedd för användning inomhus.

Etiketter på apparaten

Följande symboler finns på denna apparat tillsammans med datumkoden:



NVC115JL/NVC115W/NVC115WA/
WDC115WA Använd endast med laddare
SSC-040015EU/ S003BDV0500015



NVC215W/NVC215WA/NVC220WC/
WDC215WA Använd endast med laddare
SSC-080015EU/ S003BEV0800015

Funktioner

Detta verktyg har några eller samtliga av följande funktioner.

1. Strömbrytare
2. Låsknapp för behållare
3. Dammbehållare
4. Laddarbas (NVC115W, NVC115WA, NVC215W, Endast enheterna NVC215WA, NVC220WC, WDC115WA, WDC215WA).
- 4a. Laddarens kontakt (endast enheten NVC115JL).
5. Utdragbart elementmunstycke (endast NVC215W, NVC215WA och NVC220WC)
6. Borstmunstycke (endast NVC115WA, NVC215WA, NVC220WC, WDC115WA och WDC215WA)

7. Elementmunstycke (endast NVC115WA)
8. Gummiskrapa (endast enhet WDC115WA och WDC215WA)

Bild A

10. Tygfilter för torrsugning (endast NVC-enheter)
11. Förfilter (endast NVC-enheter)
12. Våt/torr skumplastinsats (endast WDC-enheter)
13. Våt/torr deflektor (endast WDC-enheter)

Installation

Väggmontering (NVC115W, NVC115WA, NVC215W, Endast enheterna NVC215WA, NVC220WC, WDC115WA, WDC215WA) (bild B)

Produkten kan monteras på en vägg för att du enkelt ska kunna förvara och ladda apparaten.

Om du monterar den på väggen ska du göra det på ett sätt som är lämpligt för väggtypen och för apparatens vikt.

- ◆ Markera platsen för skruvhålen (inom räckhåll från ett eluttag så att apparaten kan laddas medan den sitter i väggfästet).
- ◆ Montera fästet på väggen med lämpliga skruvar och pluggar för väggtypen och för apparatens vikt.
- ◆ Häng upp redskapet på väggen genom att placera basplattans öppning över kroken på vägggladdningsfästet.

Montering

Tillbehör (bild C)

De här modellerna kan levereras med några av följande tillbehör:

- ◆ En gummiskrapa (9) för användning på våta och hårda ytor.
- ◆ Ett borstmunstycke (6) för möbler och trappor.
- ◆ Ett elementmunstycke (8) för tränga utrymmen.
- ◆ Ett borstmunstycke för husdjur (7) för att avlägsna husdjurshår.

Notera: Använd aldrig borstmunstycket för husdjur direkt på ett husdjur.

Montering (bild C)

- ◆ Montera tillbehöret längst fram på apparaten. Se till att tillbehöret är helt inskjutet.

Utdragbart elementmunstycke (endast enheterna NVC215W, NVC215WA och NVC220WC) (Bild D)

- ◆ Dra ut elementmunstycket (5) såsom visas i bild D, tills det klickar på plats.
- ◆ För att dra ut elementmunstycket, tryck ner knappen (5a) och skjut tillbaka den i dammbehållaren (3) enligt bild D.

Användning

- ◆ Innan apparaten används första gången måste batteriet laddas i minst 24 timmar.

Varning! Innan laddning ska du se till att tömma ut all vätska och torka apparaten noggrant så att den inte skadas.

Laddning av batteriet via batteribas (endast enheterna NVC115W, NVC115WA, NVC215W, NVC215WA, NVC220WC, WDC115WA, WDC215WA) (bild B)

- ◆ Kontrollera att apparaten är avstängd. Batteriet laddas inte om strömbrytaren (1) är i intryckt.
- ◆ Placera apparaten i laddningsfästet (4).
- ◆ Anslut laddaren. Slå på vid eluttaget.
- ◆ Låt apparaten laddas i minst 21 timmar.

Medan apparaten laddas kan laddaren bli varm. Detta är normalt och indikerar inte något problem. Apparaten kan lämnas ansluten till laddaren hur länge som helst.

Varning! Ladda inte batteriet om temperaturen är lägre än 10 °C eller högre än 40 °C.

Laddning av batteriet via laddarens kontakt (endast enheten NVC115JL) (bild B1)

- ◆ Kontrollera att apparaten är avstängd. Batteriet laddas inte om strömbrytaren (1) är i intryckt.
- ◆ Sätt i laddarens kontakt (4a) i laddningsporten (4b).
- ◆ Anslut laddaren. Slå på vid eluttaget.
- ◆ LED-indikatorn tänds.
- ◆ Låt apparaten laddas i minst 21 timmar.

Medan apparaten laddas kan laddaren bli varm. Detta är normalt och indikerar inte något problem. Apparaten kan lämnas ansluten till laddaren hur länge som helst.

Varning! Ladda inte batteriet om temperaturen är lägre än 10 °C eller högre än 40 °C.

Slå på och stänga av (bild E)

- ◆ Slå på apparaten genom att trycka på och hålla kvar strömbrytaren (1).
- ◆ Stäng av apparaten genom att släppa strömbrytaren (1).

Torrsugning (endast NVC-enheter)

- ◆ För dagliga mängder av torrt material.

Varning! Sug aldrig upp våta spillningar med dessa enheter.

Våt- och torrsugning (endast WDC enheter)

- ◆ För normala mängder av torrt material använder du apparaten utan gummiskrapan.

Varning! Din produkt är endast avsedd att användas för uppsugning av små mängder.

- ◆ Det här redskapet kan också användas för uppsugning av normala vätskemängder. Använd gummiskrapan på icke-absorberande hårda ytor. På absorberande ytor, t.ex. mattor, blir vätskeuppsugningsförmågan bättre om apparaten används utan gummiskrapan.

- ◆ Bäst prestanda förvåtsugning på hårda ytor får du genom att sätta fast gummiskrapan i behållarens munstycke.
- ◆ För bästa resultat med våtskemunstycket bör apparaten hållas i 45° vinkel. Dra sedan apparaten långsamt mot dig.
- ◆ Fyll inte behållaren över änden på inloppet. Vänd inte enheten upp och ned eller i sidled, vänd inte munstycket uppåt och skaka inte redskapet för hårt om det finns vätska i behållaren.
- ◆ Rengör omedelbart redskapet och filtret efter att du har sugit upp vätska. Mögel och mjöldagg kan bildas om enheten inte rengörs ordentligt efter våtsugning.
- ◆ Innan laddning ska du se till att tömma ut all vätska och torka apparaten noggrant så att den inte skadas.

Optimera sugkraften

Filtren bör rengöras regelbundet för att optimera sugkraften.

Tömma och rengöra produkten.

Ta bort dammbehållaren och filtren (bild F och G).

Varning! Filtren kan återanvändas och bör rengöras med jämna mellanrum.

- ◆ Tryck på låsknappen för behållaren (2) och ta bort dammbehållaren (3).
- ◆ Medan du håller dammbehållaren över en soptunna eller ett handfat drar du ut filtret och tömmer ut innehållet i behållaren.
- ◆ Sätt tillbaka dammbehållaren genom att trycka på den på handtaget tills den "klikkar" på plats ordentligt.

Varning! Använd aldrig apparaten utan filtren. Dammsugningen fungerar bäst med rena filter.

Skumplastinsats (bild H) (endast WDC enheter)

- ◆ Sätt in skumplastinsatsen (12) i mitten av våt-/torrskyddet (13).

Varning! Använd aldrig apparaten för våta arbeten om inte vattenskyddet och skumplastsyddet är monterat.

Förfilter (bild I) (endast NVC-enheter)

Filtret och förfiltret kan separeras för bättre rengöring.

- ◆ Vrid förfiltret (11) moturs och ta av det från filtret (10).

Varning! Sug aldrig upp våta spillningar med dessa enheter.

Rengöra dammbehållarna och filtren

- ◆ Dammbehållarna och filtren kan tvättas i varmt tvålsvatten.
- ◆ Se till att filtren och dammbehållaren är torra innan återmonteringen.

Byta filtren

Filtren bör bytas ut var sjätte till nionde månad eller om de är utslitna eller trasiga.

Utbytesfilter finns att köpa hos din BLACK+DECKER-återförsäljare:

Underhåll

Din kabelanslutna/sladdlösa BLACK+DECKER-apparat/verktyg är konstruerad för att fungera en lång tid med minsta möjliga underhåll. Kontinuerlig tillfredsställande drift beror på ordentlig verktygsvård och regelbunden rengöring.

Varning! Innan något underhåll utförs på sladdanslutna/sladdlösa elverktyg:

- ◆ Stäng av apparaten/verktyget och dra ur nätkontakten.
 - ◆ Du kan också ta ut batteriet ur redskapet om redskapet har ett separat batteri.
 - ◆ Om batteriet är inbyggt låter du det laddas ur helt innan avstängningen.
 - ◆ Dra ur sladden till laddaren innan du rengör den. Laddaren behöver inget annat underhåll än regelbunden rengöring.
 - ◆ Rengör regelbundet redskapets/verktygets/laddarens luftintag med en mjuk borste eller torr trasa.
 - ◆ Rengör motorhöljet regelbundet med en fuktig trasa.
- Använd aldrig något slipande eller lösningsmedelsbaserat rengöringsmedel.

Skydda miljön



Separat insamling. Produkter och batterier som är markerade med denna symbol får inte kastas i de vanliga hushållsoporna.

Produkter och batterier innehåller material som kan återanvändas eller återvinnas för att minska behovet av råmaterial. Återvinn elektriska produkter och batterier enligt lokala bestämmelser. Närmare information finns tillgänglig på www.2helpU.com

Tekniska data

	NVC115JL (H1) NVC115W (H1) NVC115WA (H1) WDC115WA (H1)	NVC215W (H1) NVC215WA (H1) NVC220WC (H1) WDC215WA (H1)
Spänning (V)	3.6	7.2
Batteri	Li-jon	Li-jon
Vikt (kg.)	0.53	0.67
Laddare	SSC-040015EU/ S003BDV0500015	SSC-080015EU/ S003BEV0800015
Ingående spänning (V _{in})	100 - 240	100 - 240
Utgående spänning (V)	4	8.25
Ström (mA)	150	150
Laddningstid cirka	10	10

Garanti

Black & Decker är säker på kvaliteten hos denna produkt och erbjuder kunder 24 månaders garanti från datumet inköpsdatumet. Garantin gäller utöver konsumentens rättigheter enligt

lag och påverkar inte dessa. Garantin är giltig i de territorier som tillhör medlemsstaterna i Europeiska unionen och det europeiska frihandelsområdet.

För yrkande under garantin måste yrkandet vara i enlighet med Black&Deckers villkor och du kommer att behöva skicka in bevis på köpet till försäljaren eller en auktoriserad reparatör. Villkoren för Black&Deckers tvååriga garanti och var du hittar din närmaste auktoriserade reparatör kan erhållas på internet på www.2helpU.com genom att kontakta ditt lokala Black & Decker kontor på adressen som angetts i denna bruksanvisning.

Besök vår webbsida www.blackanddecker.co.uk för att registrera din nya Black & Decker-produkt samt för att få information om nya produkter och specialerbjudanden.

Tiltenkt bruk

Denne BLACK + DECKER Dustbuster® håndholdte støvsugeren er konstruert for lett støvsuging på tørre overflater (NVC115JL, NVC115W, NVC115WA, NVC215W, NVCW215WA, NVC220WC). Apparatet er bare beregnet for bruk i hjemmet.

Denne BLACK + DECKER Dustbuster® håndholdte støvsugeren er konstruert for lett støvsuging på våte og tørre overflater (WDC115WA og WDC215WA). Apparatet er bare beregnet for bruk i hjemmet.

Sikkerhetsinstruksjoner



Advarsel! Les alle sikkerhetsadvarsler og alle instruksjoner. Hvis advarslene og anvisningene nedenfor ikke overholdes, kan det medføre elektrisk støt, brann og/eller alvorlige personskader.



Advarsel! Når du bruker batteridrevne apparater, må du ta grunnleggende sikkerhetsforholdsregler, blant annet dem som er beskrevet nedenfor, for å redusere risikoen for brann, batterilekkasje, personskade og materielle skader.

- ◆ Les hele denne håndboken nøye før du bruker produktet.
- ◆ Beregnet bruk er beskrevet i denne håndboken. Hvis du bruker annet tilbehør, kobler til annet utstyr eller bruker dette apparatet til andre oppgaver enn det som er anbefalt i denne håndboken, kan det føre til fare for personskade.
- ◆ Ta vare på denne håndboken for fremtidig bruk.

Bruke produktet

- ◆ Ikke bruk apparatet til å suge opp væske eller materialer som kan ta fyr.
- ◆ Ikke bruk apparatet i nærheten av vann.
- ◆ Ikke senk produktet ned i vann.
- ◆ Ikke dra i ledningen når du skal fjerne laderen fra stikkontakten. Hold ledningen til laderen borte fra varmekilder, olje og skarpe kanter.
- ◆ Dette apparatet kan brukes av barn som er 8 år eller eldre samt av personer som har reduserte fysiske, sansemessige eller mentale evner, eller som mangler erfaring og kunnskap, hvis de har tilsyn eller har fått veiledning i bruk av apparatet på en trygg måte og

forstår farene som foreligger. Barn skal ikke leke med apparatet. Rengjøring og brukervedlikehold skal ikke utføres av barn uten tilsyn.

Kontroll og reparasjon

- ◆ Kontroller at apparatet ikke er skadet eller har defekte deler før du bruker det. Undersøk om brytere eller andre deler er skadet, eller om det er andre forhold som kan påvirke bruken.
- ◆ Ikke bruk apparatet hvis en del er skadet eller defekt.
- ◆ Overlat reparasjon eller utskifting av skadde eller defekte deler til et autorisert serviceverksted.
- ◆ Kontroller jevnlig om ledningen til laderen er skadet. Skift ut laderen hvis ledningen er skadet eller defekt.
- ◆ Forsøk aldri å fjerne eller bytte ut andre deler enn delene som er oppgitt i denne håndboken.

Ytterligere sikkerhetsinstruksjoner

Andre risikoer

Når verktøyet brukes, kan det oppstå ytterligere risikoer som kanskje ikke er beskrevet i de medfølgende sikkerhetsadvarslene. Disse risikoene kan bli forårsaket av feil bruk, langvarig bruk osv. Selv om de relevante sikkerhetsbestemmelserne blir fulgt, og sikkerhetstiltakene blir gjennomført, kan visse gjenværende risikoer ikke unngås. Disse inkluderer:

- ◆ Personskader som forårsakes av berøring av bevegelige deler.

- ◆ Personskader som forårsakes av berøring av varme deler.
- ◆ Personskader som forårsakes av at deler eller tilbehør byttes.
- ◆ Personskader som forårsakes av langvarig bruk av produktet. Når du bruker et produkt i lange perioder, må du sørge for å ta regelmessige pauser.

Batterier og ladere

Batterier

- ◆ Forsøk aldri å åpne av noen årsak.
- ◆ Ikke utsett batteriet for vann.
- ◆ Ikke utsett batteriet for varme.
- ◆ Ikke oppbevar det på steder hvor temperaturen kan komme over 40°C.
- ◆ Skal bare lades ved omgivelsestemperaturer mellom 10 °C og 40 °C.
- ◆ Bruk bare ladere av typen som følger med apparatet/verktøyet. Hvis du bruker feil lader, kan dette føre til et elektrisk støt eller at batteriet overopphetes.
- ◆ Følg instruksjonene i avsnittet «Miljøvern» når du skal kaste batterier.
- ◆ Ikke skad eller deformer batteripakken ved punktering eller støt, da dette kan føre til risiko for personskade og brann.
- ◆ Ikke lad skadede batterier.
- ◆ Under ekstreme forhold kan batterilekkasje forekomme. Hvis du oppdager væske på batteriene, må du tørke den forsiktig av med en klut. Unngå kontakt med huden.

- ◆ Hvis væsken kommer i kontakt med huden eller øynene, følger du instruksjonene nedenfor.

Advarsel! Batterivæsken kan føre til personskade eller skade på eiendom. Ved hudkontakt skyller du umiddelbart med vann. Hvis huden blir rød eller irritert eller smerter inntreffer, søk øyeblikkelig medisinsk hjelp. Hvis væsken kommer i kontakt med øynene, skyller du umiddelbart med rent vann og søker øyeblikkelig medisinsk hjelp.

Ladere

Laderen er konstruert for en bestemt spenning. Kontroller alltid at nettspenningen er i overensstemmelse med spenningen på typeskiltet og angivelsene under tekniske data.

Advarsel! Ikke skift ut laderen med et vanlig nettstøpsel.

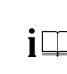
- ◆ BLACK+DECKER-laderen skal bare brukes til å lade batteriet i maskinen/verktøyet som laderen kom sammen med. Andre batterier kan sprekke og føre til personskade og materiell skade.
- ◆ Prøv aldri å lade ikke-oppladbare batterier.
- ◆ Hvis strømledningen blir skadet, må den byttes av produsenten eller et autorisert BLACK+DECKER-service-senter for å unngå fare.
- ◆ Ikke utsett laderen for vann.
- ◆ Ikke åpne laderen.
- ◆ Ikke stikk gjenstander eller fingre inn i laderen.


- ◆ Apparatet/verktøyet/batteriet må plasseres på et sted med god lufting når det lades.


Elektrisk sikkerhet

Laderen er konstruert for en bestemt spenning. Kontroller alltid at nettspenningen er i overensstemmelse med spenningen på typeskiltet. Ikke skift ut laderen med et vanlig nettstøpsel.

Symboler på laderen


 Les hele denne håndboken nøye før du bruker produktet.

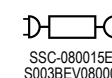
 Dette verktøyet er dobbeltisolert. Jording er derfor ikke nødvendig. Kontroller alltid at strømforsyningen samsvarer med spenningen på merkeskiltet.

 Ladeenheten er bare tiltenkt for bruk innendørs.

Produktmerking

Følgende symboler vises på apparatet sammen med datokoden:

 SSC-040015EU/S003DV0500015 NVC115JL/NVC115W/NVC115WA/WDC115WA Brukes kun med lader SSC-040015EU/ S003BDV0500015

 SSC-080015EU/S003BEV0800015 NVC215W/NVC215WA/NVC220WC/WDC215WA Brukes kun med lader SSC-080015EU/ S003BEV0800015

Funksjoner

Dette verktøyet har noen av eller alle følgende egenskaper.

1. På-/av-bryter
2. Utløserknapp for støvbeholder
3. Støvoppsamler
4. Ladesokkel (Kun NVC115W, NVC115WA, NVC215W, NVC215WA, NVC220WC, WDC115WA, WDC215WA).
- 4a. Ladeplugg (kun NVC115JL).
5. Smalt utfoldbart sugestykke (kun NVC215W, NVC215WA og NVC220WC)

6. Børsteverktøy (kun NVC115WA, NVC215WA, NVC220WC, WDC115WA og WDC215WA)
7. Smalt sugestykke (kun NVC115WA)
8. Nal (kun WDC115WA og WDC215WA)

Figur A

10. Tøyfilter for tørr støvsuging (kun NVC-enheter)
11. For-filter (kun NVC-enheter)
12. Vått/tørt-skuminsats (kun WDC-enheter)
13. Vått/tørt-deflektor (kun WDC-enheter)

Installasjon

Veggmontering (Kun NVC115W, NVC115WA, NVC215W, NVC215WA, NVC220WC, WDC115WA, WDC215WA). (figur B)

Produktet kan festes til veggen, der det kan oppbevares og lades på en praktisk måte.

Ved montering på vegg må du sørge for at festemetoden passer til veggtypen og at festet kan bære vekten av apparatet.

- ◆ Merk plasseringen av skruhullene (innenfor rekkevidde av en stikkontakt for lading av støvsugeren mens den henger på veggbraketten).
- ◆ Fest monteringsbraketten på veggen ved hjelp av skruer og støpsler som passer til veggtypen og vekten av apparatet.
- ◆ Heng apparatet på veggen ved å plassere åpningen i støvsugerens sokkel over krokene på ladebraketten for veggmontering.

Montering

Tilbehør (figur C)

Disse modellene kan leveres med noe eller alt av følgende tilbehør:

- ◆ Et nalverktøy (9) til bruk på våte harde overflater.
- ◆ En børste (6) for møbler og trapper.
- ◆ Et smalt sugestykke (8) for vanskelig tilgjengelige steder.
- ◆ En dyrebørste (7) for å fjerne hår fra kjæledyr.

Merk: Bruk aldri dyrebørsten direkte på et kjæledyr.

Montering (figur C)

- ◆ Sett på det aktuelle tilbehøret fremst på apparatet. Pass på at tilbehøret er skjøvet helt inn.

Smalt utfoldbart sugestykke (kun NVC215W, NVC215WA and NVC220WC) (figur D)

- ◆ Trekk ut det smale munnstykket (5) som vist i figur D, til det klikker på plass.
- ◆ For å trekke inn det smale munnstykket, trykk ned knappen (5a) og skyv tilbake i støvoppsamleren (3) som vist i figur D.

Bruk

- ◆ Før første gangs bruk skal batteriet lades i minst 24 timer.
- Advarsel!** Før lading må du passe på å tømme ut all væske og tørke godt for å unngå skade på apparatet.

Lade batteriet via ladesokkelen (kun NVC115W, NVC115WA, NVC215W, NVC215WA, NVC220WC, WDC115WA, WDC215WA) (figur B)

- ◆ Forsikre deg om at apparatet er slått av. Batteriet vil ikke bli ladet hvis på/av-bryteren (1) er inntrykket.
- ◆ Sett apparatet på ladebraketten (4).
- ◆ Sett laderen i stikkkontakten. Pass på at det er strøm i stikkkontakten.
- ◆ La apparatet lade i minst 21 timer.

Under ladingen kan laderen bli varm. Dette er normalt og er ikke et tegn på et problem. Apparatet kan være tilkoblet laderen uten tidsbegrensning.

Advarsel! Ikke lad batteriet hvis temperaturen i omgivelsene er under 10 °C eller over 40 °C.

Lade batteriet via ladepluggen (kun NVC115JL) (figur B1)

- ◆ Forsikre deg om at apparatet er slått av. Batteriet vil ikke bli ladet hvis på/av-bryteren (1) er inntrykket.
- ◆ Sett ladepluggen (4a) i ladesokkelen (4b).
- ◆ Sett laderen i stikkkontakten. Pass på at det er strøm i stikkkontakten.
- ◆ LED-indikatoren tennes.
- ◆ La apparatet lade i minst 21 timer.

Under ladingen kan laderen bli varm. Dette er normalt og er ikke et tegn på et problem. Apparatet kan være tilkoblet laderen uten tidsbegrensning.

Advarsel! Ikke lad batteriet hvis temperaturen i omgivelsene er under 10 °C eller over 40 °C.

Slå på og av (figur E)

- ◆ Når du skal slå apparatet på, trykker du på og holder på/av-bryteren (1).
- ◆ Når du skal slå maskinen av, slipper du på/av-bryteren (1).

Tørr støvsuging (kun NVC-enheter)

- ◆ For vanlig tørrt avfall.
- Advarsel!** Bruk aldri dette apparatet for våt-suging.

Våt og tørr støvsuging (kun WDC-enheter)

- ◆ Til vanlig tørrt avfall bruker du apparatet uten naltilbehøret.
- Advarsel!** Produktet er utformet bare for lett avfall.
- ◆ Dette apparatet kan også brukes til å suge opp vanlig søl av væsker. Bruk naltilbehøret på ikke-sugende, harde overflater. På sugende flater, for eksempel tepper, vil apparatet suge opp vått søl bedre uten tilbehøret.

- ◆ Du får best resultat ved oppsuging av væske på harde overflater ved å sette nalverktøyet inn i munnstykket til beholderen.
- ◆ Du får best resultat ved bruk av dette tilbehøret hvis du holder apparatet i en vinkel på 45° og trekker det langsomt mot deg.
- ◆ Ikke fyll beholderen over enden av inntakskanalen. Hvis det er væske i beholderen, må du ikke snu enheten opp- eller sidelengs, rette munnstykket oppover eller riste støvsugeren kraftig.
- ◆ Når du har suget opp væske, må du rengjøre apparatet og filteret straks. Det kan bli dannet mugg og jordslag hvis enheten ikke blir rengjort godt etter oppsuging av væske.
- ◆ Før lading må du passe på å tømme ut all væske og tørke godt for å unngå skade på apparatet.

Oppnå best mulig sugekraft

For å opprettholde best mulig sugekraft må filterene rengjøres regelmessig under bruk.

Tømme og rengjøre produktet.

Ta av støvbeholderen og filterene (figur F og G).

Advarsel! Filterne kan brukes på nytt og bør rengjøres jevnlig.

- ◆ Trykk på utløserknappen (2) for oppsamleren, og trekk støvoppsamleren (3) rett av.
- ◆ Mens du holder støvoppsamleren over en søppelbøtte eller lignende, trekker du ut filteret for å tømme ut innholdet i beholderen.
- ◆ Du setter støvoppsamleren på plass igjen ved å sette den tilbake på håndtaket til den klikker på plass og sitter godt.

Advarsel! Bruk aldri apparatet uten filterene. Optimal støvsuging kan bare oppnås med rene filtre.

Skuminsats (figur H) (kun WDC-enheter)

- ◆ Sett skuminsatsen (12) midt i vått/tørt-deflektoren (13).

Advarsel! Bruk aldri apparatet til å suge opp væske uten at vanddeflektoren og skuminsatsen er satt på.

For-filter (figur I) (kun NVC-enheter)

Filteret og forfilteret kan skilles så de kan rengjøres bedre.

- ◆ Vri forfilteret (11) mot klokken, og løft det av filteret (10).
- Advarsel!** Bruk aldri dette apparatet for våt-suging.

Rengjøring av støvbeholdere og filtre

- ◆ Støvbeholderne og filterne kan vaskes i varmt såpevann.
- ◆ Sørg for at filterene og støvbeholderen er tørre før du setter dem på plass igjen.

Utskifting av filterne

Filterne bør skiftes ut hver 6. til 9. måned og ellers hvis de er slitt eller skadet.

Reservefiltere får du hos en BLACK+DECKER-forhandler:

Vedlikehold

BLACK+DECKER-apparatet/-verktøyet med ledning/batteri er laget for å brukes over lang tid med et minimum av vedlikehold. For at den skal fungere tilfredsstillende over tid, er det viktig å sørge for riktig stell av verktøyet og regelmessig renhold.

Advarsel! Før du utfører vedlikehold på elektriskdrevet/batteridrevet elektroverktøy:

- ◆ Slå av apparatet/verktøyet og trekk ut støpselet.
- ◆ Eller slå av apparatet/verktøyet og fjern batteriet fra dette hvis apparatet/verktøyet har separat batteripakke.
- ◆ Eller la batteriet gå helt tomt hvis det er innebygd, og slå deretter av.
- ◆ Trekk ut laderen fra stikkkontakten før du rengjør den. Laderen krever ikke annet vedlikehold enn regelmessig rengjøring.
- ◆ Rengjør ventilasjonsåpningene i apparatet/verktøyet/laderen jevnlig med en myk børste eller tørr klut.
- ◆ Rengjør motorhuset regelmessig med en fuktig klut. Ikke bruk slipende eller løsemiddelbaserte rengjøringsmidler.

Miljøvern



Separat avfallshåndtering. Produkter og batterier merket med dette symbolet skal ikke kastes i vanlig husholdningsavfall.

Produkter og batterier inneholder materialer som kan gjenbrukes eller gjenvinnes for å redusere behovet for nye råmaterialer.

Vennligst lever elektrisk utstyr og batterier til gjenbruk i henhold til lokale regler. Mer informasjon finner du på www.2helpU.com

Tekniske data

	NVC115JL (H1) NVC115W (H1) NVC115WA (H1) WDC115WA (H1)	NVC215W (H1) NVC215WA (H1) NVC220WC (H1) WDC215WA (H1)
Spenning (V)	3,6	7,2
Batteri	Li-Ion	Li-Ion
Vekt (kg)	0,53	0,67
Lader	SSC-040015EU/ S003BDV0500015	SSC-080015EU/ S003BEV0800015
Inngangsspenning (V _{in})	100 - 240	100 - 240
Utgangsspenning (V)	4	8,25
Strøm (mA)	150	150
Omtrentlig ladetid	10	10

Garanti

Black & Decker er trygg på kvaliteten av produktene sine og tilbyr en 24 måneders garanti fra kjøpsdato. Denne garantier-

klæringen kommer i tillegg til dine lovbestemte rettigheter og er ikke i konflikt med disse. Garantien er gyldig innen områdene tilhørende medlemslandene i den Europeiske Union (EU) og det Europeiske Frihandelsområdet (EFTA).

For å ta garantien i bruk må kravet være i samsvar med kjøpsbetingelsene fra Black&Decker og du må vise kjøpskvittering til forhandleren eller til et autorisert serviceverksted. Betingelsene for Black&Deckers 2 års garanti og adressen til din nærmeste autoriserte serviceverksted kan du finne på internett under www.2helpU.com, eller ved å kontakte ditt lokale Black & Decker kontor, adressen er angitt i denne bruksanvisningen.

Besøk vår webside www.blackanddecker.co.uk for å registrere ditt nye Black & Decker-produkt og for å holde deg oppdatert om nye produkter og spesialtilbud.

Tilsigtet brug

Din BLACK + DECKER Dustbuster® håndholdte støvsuger er udviklet til let tør støvsugning (NVC115JL, NVC115W, NVC115WA, NVC215W, NVCW215WA, NVC220WC). Apparatet er kun beregnet til brug i husholdninger.

Din BLACK + DECKER håndholdte støvsuger er udviklet til let våd og tør støvsugning (WDC115WA, WDC215WA). Apparatet er kun beregnet til brug i husholdninger.

Sikkerhedsinstruktioner



Advarsel! Læs alle sikkerhedsadvarsler og alle instruktioner. Hvis efterfølgende advarsler og instruktioner ikke følges, er der risiko for elektrisk stød, brand og alvorlige kvæstelser.



Advarsel! Ved brug af batteridrevne apparater er det vigtigt, at grundlæggende sikkerhedsforholdsregler, herunder nedenstående, altid følges for at mindske risikoen for brand, batterilækage, personskader og materielle skader.

- ♦ Læs hele vejledningen omhyggeligt, før du bruger apparatet.
- ♦ Den tilsigtede brug er beskrevet i denne vejledning. Brugen af ekstraudstyr eller tilbehør eller udførelse af andet arbejde med dette apparat end det, der anbefales i denne vejledning, kan udgøre en fare for kvæstelser.
- ♦ Opbevar denne vejledning til senere brug.

Brug af apparatet

- ♦ Brug ikke apparatet til at opsamle væske eller stoffer, der kan være antændelige.
- ♦ Brug ikke apparatet i nærheden af vand.
- ♦ Apparatet må ikke nedsænkes i vand.
- ♦ Træk aldrig i opladerens ledning for at afbryde opladeren fra stikkontakten. Beskyt laderens ledning imod varme-påvirkninger, olie og skarpe kanter.
- ♦ Dette apparat kan bruges af børn i en alder fra 8 år og derover og personer med nedsatte fysiske, sensoriske eller mentale evner eller manglende erfaring og viden, hvis det sker under overvågning, eller de vejledes i brugen af apparatet på en sikker måde, og de forstår de farer, som er forbundet

dermed. Børn må ikke lege med apparatet. Rengøring og brugervedligeholdelse må ikke foretages af børn uden opsyn.

Eftersyn og reparationer

- ♦ Før brug skal apparatet kontrolleres for beskadigede eller defekte dele. Se efter knækkede dele, skader på kontakter og eventuelle andre tilstande, der kan påvirke apparatets funktion.
- ♦ Brug ikke apparatet med beskadigede eller defekte dele.
- ♦ Sørg for at få beskadigede eller defekte dele repareret eller udskiftet på et autoriseret værksted.
- ♦ Kontroller regelmæssigt opladerens ledning for skader. Udskift opladeren, hvis ledningen er beskadiget eller defekt.
- ♦ Forsøg aldrig at fjerne eller udskifte dele ud over dem, der er beskrevet i denne vejledning.

Yderligere sikkerhedsvejledninger

Resterende risici

Der kan opstå yderligere, tilbageværende risici under brugen af apparatet, som muligvis ikke behandles i de vedlagte sikkerhedsadvarsler. Disse risici kan opstå pga. forkert anvendelse, langvarig brug etc.

Selv ved overholdelse af relevante sikkerhedsforskrifter og anvendelse af sikkerhedsudstyr kan visse resterende risici ikke undgås. Disse omfatter:

- ♦ Tilskadekomst forårsaget af berøring af bevægelige dele.
- ♦ Tilskadekomst forårsaget af berøring af varme dele.
- ♦ Tilskadekomst forårsaget af udskiftning af dele eller tilbehør.
- ♦ Tilskadekomst forårsaget af langvarig brug af apparatet. Husk at holde pause jævnligt ved brug af et apparat i længere tid.

Batterier og opladere

Batterier

- ♦ Forsøg aldrig at åbne den af en eller anden grund.
- ♦ Batteriet må ikke udsættes for fugt.
- ♦ Batteriet må ikke udsættes for varme.
- ♦ Opbevar ikke batterier på steder, hvor temperaturen kan overstige 40°C.
- ♦ Foretag kun opladning ved omgivelsestemperaturer mellem 10°C og 40°C.
- ♦ Brug kun den oplader, der fulgte med apparatet/værktøjet, til opladning. Brug af den forkerte oplader kan medføre elektrisk stød eller overophedning af batteriet.
- ♦ Følg ved bortskaffelse af batterier vejledningen i afsnittet "Miljøbeskyttelse".
- ♦ Undgå at beskadige/deformere batteripakken ved at punktere den eller slå på den, da dette kan forårsage risiko for tilskadekomst eller brand.
- ♦ Beskadigede batterier må ikke oplades.
- ♦ Under ekstreme forhold kan der forekomme batterilækage. Hvis du

bemærker væske på batterierne, skal du omhyggeligt tørre den af med en klud. Undgå kontakt med huden.

- ◆ I tilfælde af kontakt med hud eller øjne skal nedenstående instruktioner følges.

Advarsel! Batterivæsken kan forårsage personskader eller materielle skader. I tilfælde af kontakt med huden skylles straks med vand. Søg læge, hvis der opstår rødme, smerte eller irritation. Skyl straks med rent vand, og søg læge i tilfælde af kontakt med øjnene.

Opladere

Opladeren er udviklet til en specifik spænding. Kontroller altid, at netspændingen svarer til spændingen på typeskiltet og oplysningerne i den tekniske datatabel.

Advarsel! Forsøg aldrig at erstatte opladerenheden med et almindeligt netstik.

- ◆ Brug kun din BLACK+DECKER oplader til at oplade batteriet i det apparat/værktøj, som den blev leveret sammen med. Andre batterier kan eksplodere og forårsage kvæstelser og materielle skader.
- ◆ Prøv aldrig på at oplade ikke-genopladelige batterier.
- ◆ Hvis netledningen beskadiges, skal den udskiftes af producenten eller et autoriseret BLACK+DECKER-værksted, så farlige situationer undgås.
- ◆ Opladeren må ikke udsættes for fugt.
- ◆ Opladeren må ikke åbnes.
- ◆ Undersøg ikke opladeren.

- ◆ Apparatet/værktøjet/batteriet skal anbringes et sted med god udluftning, når det oplades.

Elektricitet og sikkerhed

Opladeren er udviklet til en specifik spænding. Kontroller altid, at netspændingen svarer til spændingen på typeskiltet. Forsøg aldrig at erstatte opladerenheden med et almindeligt netstik.

Symboler på opladeren



Læs hele vejledningen omhyggeligt, før du bruger apparatet.

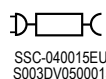
Denne maskine er dobbelt isoleret. Derfor er jordledning ikke nødvendig. Kontrollér altid, at strømforsyningen svarer til spændingen på mærkepladen.



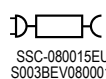
Laderens basisenhed er kun beregnet til indendørs brug.

Mærkater på apparatet

Apparatet er forsynet med følgende advarselssymboler samt datokoden:



NVC115JL/NVC115W/NVC115WA/
WDC115WA Må kun bruges med opladeren
SSC-040015EU/
S003BDV0500015



NVC215W/NVC215WA/NVC220WC/
WDC215WA Må kun bruges med opladeren
SSC-080015EU/
S003BEV0800015

Funktioner

Apparatet har nogle eller alle af de følgende funktioner.

1. Afbryderkontakt
2. Knap til frigørelse af beholderen
3. Støvbeholder
4. Opladerbase (kun enhederne NVC115W, NVC115WA, NVC215W, NVC215WA, NVC220WC, WDC115WA, WDC215WA).
- 4a. Opladerstik (kun NVC115JL-enhed).
5. Tilbagetrækkelig sprækkeforsats (kun NVC215W, NVC215WA og NVC220WC)

6. Børsteforsats (kun NVC115WA, NVC215WA, NVC220WC, WDC115WA og WDC215WA)
7. Sprækkeforsats (kun NVC115WA)
8. Visker (kun enhederne WDC115WA og WDC215WA)

Fig. A

10. Tøropsamlingsfilter (kun NVC enheder)
11. Forfilter (kun NVC enheder)
12. Våd/tør skumindsats (kun WDC enheder)
13. Våd/tør deflektor (kun WDC enheder)

Installation

Vægmontering (kun enhederne NVC115W, NVC115WA, NVC215W, NVC215WA, NVC220WC, WDC115WA, WDC215WA) (fig. B)

Produktet kan monteres på væggen, hvilket giver et praktisk opbevarings- og opladningssted til apparatet.

Før vægmontering skal det sikres, at fastgøringsmetoden er egnet til væggens type og tilstrækkelig til at understøtte apparatets vægt.

- ◆ Marker hvor skruhullerne befinder sig (i nærheden af en stikkontakt, så støvsugeren kan oplades, mens den sidder i vægholderen).
- ◆ Fastgør monteringsholderen til væggen med passende skrue og stik for vægtypen og apparatets vægt.
- ◆ Monter apparatet på væggen ved at placere åbningen forned på støvsugeren over hængekrogen på vægladeholderen.

Samling

Tilbehør (fig. C)

Disse modeller kan leveres med enkelte dele fra det følgende tilbehør:

- ◆ En visker (9) til våd anvendelse på hårde overflader.
- ◆ En børsteforsats (6) til møbler og trappetrin.
- ◆ En sprækkeforsats (8) til arbejde under trange pladsforhold.
- ◆ En kæledyrsbørsteforsats (7) til at fjerne dyrehår.

Bemærk: Brug aldrig kæledyrsbørsteforsatsen direkte på et kæledyr.

Påsætning (Fig. C)

- ◆ Sæt det ønskede tilbehør i forenden af apparatet. Kontrollér, at tilbehøret er sat helt ind.

Tilbagetrækkelig sprækkeforsats (kun enhederne NVC215W, NVC215WA og NVC220WC) (Fig. D)

- ◆ Forlæng sprækkeforsatsen (5) som vist i figur D, indtil den klikker på plads.

- ◆ Du trækker sprækkeforsatsen tilbage ved at trykke ned på knappen (5a) og skubbe den tilbage i støvbeholderen (3), som vist i figur D.

Anvendelse

- ◆ Før første ibrugtagning skal batteriet oplades i mindst 24 timer.

Advarsel! Før opladning skal vådt indhold tømmes ud, og apparatet skal tørres for at undgå beskadigelse.

Opladning af batteriet via opladerbasen (kun enhederne NVC115W, NVC115WA, NVC215W, NVC215WA, NVC220WC, WDC115WA, WDC215WA) (fig. B)

- ◆ Kontroller, at apparatet er slukket. Batteriet oplades ikke, når der trykkes på tænd/sluk-kontakten (1).
- ◆ Sæt apparatet i ladeholderen (4).
- ◆ Tilslut opladeren. Tænd på stikkontakten.
- ◆ Lad apparatet lade i mindst 21 timer.

Under opladningen kan laderen blive varm. Dette er normalt og angiver ikke et problem. Apparatet kan være tilsluttet til laderen i længere perioder.

Advarsel! Batteriet må ikke oplades i omgivelsestemperaturer under 10 °C eller over 40 °C.

Opladning af batteriet via opladerstik (kun enheden NVC115JL) (fig. B1)

- ◆ Kontroller, at apparatet er slukket. Batteriet oplades ikke, når der trykkes på tænd/sluk-kontakten (1).
- ◆ Sæt opladerstikket (4a) i opladningsporten (4b).
- ◆ Tilslut opladeren. Tænd på stikkontakten.
- ◆ LED-lampen lyser.
- ◆ Lad apparatet lade i mindst 21 timer.

Under opladningen kan laderen blive varm. Dette er normalt og angiver ikke et problem. Apparatet kan være tilsluttet til laderen i længere perioder.

Advarsel! Batteriet må ikke oplades i omgivelsestemperaturer under 10 °C eller over 40 °C.

Tænd og sluk (fig. E)

- ◆ Tænd for apparatet ved at trykke på tænd/sluk-kontakten (1) og holde den nede.
- ◆ Sluk for apparatet ved at slippe tænd/sluk-kontakten (1).

Tøropsamling (kun NVC enheder)

- ◆ For dagligt spild af tørt materiale.

Advarsel! Saml aldrig våde ting op med disse enheder.

Våd og tør opsamling (kun WDC enheder)

- ◆ Til dagligt spild af tørt materiale anvendes apparatet uden visker.

Advarsel! Dit produkt er kun beregnet til lettere spild.

- ◆ Dette apparat kan også anvendes til opsamling af dagligt væskespild. Brug viskieren på ikke-absorberende, hårde overflader. På ikke-absorberende overflade, f.eks. tæppe, opsamlers apparatet bedst væske, der er spildt, uden tilbehør.
- ◆ Det bedste resultat for vådopsamling på hårde overflader opnås ved at indsætte viskieren i dyseåbningen på beholderen.
- ◆ Det bedste resultat opnås ved at holde apparatet i en vinkel på 45° og trække det langsomt mod dig selv.
- ◆ Fyld ikke beholderen længere op end til enden af indtaget. Hvis der er væske i beholderen, må enheden ikke vendes på hovedet eller holdes sidelæns, dysen må ikke holdes opad, og støvsugeren må ikke rystes for meget.
- ◆ Apparatet og filteret skal straks rengøres efter opsamling af væsker. Der kan dannes mug og skimmel, hvis enheden ikke rengøres omhyggeligt efter vådopsamling.
- ◆ Før opladning skal vådt indhold tømmes ud, og apparatet skal tørres for at undgå beskadigelse.

Optimering af sugeeffekten

For at sikre optimal sugeeffekt skal filtrene rengøres regelmæssigt under brug.

Tømning og rengøring af produktet.

Fjernelse af støvbeholderen og filtrene (fig. F & G).

Advarsel! Filtrene er genanvendelige og skal rengøres regelmæssigt.

- ◆ Tryk på beholderens udløserknop (2), og træk støvbeholderen (3) lige af.
- ◆ Hold støvbeholderen over en affaldsspand eller vask, og træk filteret ud for at tømme indholdet af beholderen ud.
- ◆ Støvbeholderen udskiftes ved at sætte det tilbage på håndtaget, indtil det klikker på plads.

Advarsel! Apparatet må aldrig bruges uden filtrene. Optimal støvsugning kan kun opnås med rene filtre.

Skumindsats (fig. H) (kun WDC enheder)

- ◆ Sæt skumindsatsen (12) i midten af våd/tør-deflektoren (13).

Advarsel! Apparatet må ikke anvendes til vådopsamling uden at vanddeflektoren og skumindsatsen er monteret.

Forfilter (fig. I) (kun NVC enheder)

Filteret og forfilteret kan skilles ad for at lette rengøringen.

- ◆ Drej forfilteret (11) mod uret, og løft det af filteret (10).

Advarsel! Saml aldrig våde ting op med disse enheder.

Rengøring af støvbeholdere og filtre

- ◆ Støvbeholderne og filtrene kan vaskes i varmt sæbevand.
- ◆ Kontroller, at filtrene og støvbeholderen er helt tørre, før de monteres igen.

Udskiftning af filtrene

Filtrene skal udskiftes hver 6. til 9. måned, og i øvrigt, hvis de bliver slidte eller beskadiget.

Udskiftningsfiltre fås hos BLACK+DECKER-forhandleren:

Vedligeholdelse

Dit BLACK+DECKER-apparat/værktøj med eller uden ledning er beregnet til brug gennem lang tid med et minimum af vedligeholdelse. Vedvarende tilfredsstillende funktion er afhængig af, om apparatet plejes korrekt og rengøres regelmæssigt.

Advarsel! Før udførelse af nogen form for vedligeholdelse på el værktøj med/uden ledning:

- ◆ Sluk, og tag apparatets/værktøjets stik ud af stikkontakten.
- ◆ Eller sluk og fjern batteriet fra apparatet/værktøjet, hvis det har en separat batteripakke.
- ◆ Eller aflad batteriet helt, hvis det er indbygget, og sluk derefter.
- ◆ Træk opladeren ud af stikkontakten, før den rengøres. Opladeren kræver ingen vedligeholdelse, men skal rengøres jævnligt.
- ◆ Rengør jævnligt apparatets/værktøjets/laderens ventilationshuller med en blød børste eller en tør klud.
- ◆ Rengør med jævne mellemrum motorhuset med en fugtig klud. Der må ikke bruges skuremidler eller opløsningsmidler.

Miljøbeskyttelse



Særskilt indsamling. Produkter og batterier mærket med dette symbol må ikke bortskaffes sammen med normalt husholdningsaffald.

Produkter og batterier indeholder materialer, der kan genvindes eller genbruges og således reducere efterspørgslen efter råvarer.

Genbrug venligst elektriske produkter og batterier i henhold til lokale bestemmelser. Yderligere oplysninger findes på www.2helpU.com

Tekniske data

	NVC115JL (H1) NVC115W (H1) NVC115WA (H1) WDC115WA (H1)	NVC215W (H1) NVC215WA (H1) NVC220WC (H1) WDC215WA (H1)
Spænding (V)	3.6	7.2
Batteri	Li-Ion	Li-Ion
Vægt (kg)	0.53	0.67
Oplader	SSC-040015EU/ S003BDV0500015	SSC-080015EU/ S003BEV0800015
Indgangsspænding (V _{ac})	100 - 240	100 - 240
Udgangsspænding (V)	4	8.25
Strømforsyning (mA)	150	150
Ladetid ca.	10	10

Garanti

Black & Decker er sikker på kvaliteten af sine produkter og tilbyder forbrugerne en garanti på 24 måneder fra købsdatoen. Garantien er et tillæg til forbrugerens lovmæssige rettigheder og påvirker ikke disse. Garantien er gyldig inden for medlemsstaterne af Den Europæiske Union og Det Europæiske Frihandelsområde.

Når du gør krav på garantien, skal kravet være i overensstemmelse med Black&Decker vilkår og betingelser, og du skal indsende dokumentation for købet til sælgeren eller til en autoriseret reparatør. Vilkår og betingelser for Black & Decker 2 års garanti og placeringen af dit nærmeste autoriserede serviceværksted kan fås på internettet på www.2helpU.com, eller ved at kontakte dit lokale Black & Decker kontor på den adresse, der er angivet i denne vejledning.

Besøg venligst vores websted www.blackanddecker.co.uk for at registrere dit nye Black & Decker produkt og modtage opdateringer om nye produkter og specielle tilbud.

(Alkuperäisten ohjeiden käännös)

SUOMI

Käyttötarkoitus

BLACK + DECKER Dustbuster® -rikkaimuri on tarkoitettu kevyeen märkä- ja kuivaimurointiin (NVC115JL, NVC115W, NVC115WA, NVC215W, NVCW215WA, NVC220WC). Laitte on tarkoitettu ainoastaan kotitalouskäyttöön.

BLACK + DECKER Dustbuster® -rikkaimuri on tarkoitettu kevyeen märkä- ja kuivaimurointiin (WDC115WA ja WDC215WA). Laitte on tarkoitettu ainoastaan kotitalouskäyttöön.

Turvallisuusohjeet



Varoitus! Lue kaikki turvallisuusvaroitukset ja ohjeet. Alla olevien varoitusten ja ohjeiden noudattamisen laiminlyönti saattaa johtaa sähköiskuun, tulipaloon ja/tai vakavaan loukkaantumiseen.



Varoitus! Käytettäessä akku-käyttöisiä laitteita on aina noudatettava perusvarotoimenpiteitä palovaaran, vuotavien akkujen, henkilövahinkojen ja aineellisten vaurioiden välttämiseksi.

- ◆ Lue tämä käyttöopas huolellisesti ennen laitteen käyttöä.
- ◆ Käyttötarkoitus kuvataan ohjeissa. Muiden kuin ohjeissa suositeltujen lisävarusteiden tai -osien käyttö sekä laitteen käyttö muuhun kuin oppaassa suositeltuun tarkoitukseen voi aiheuttaa henkilövahingon vaaran.
- ◆ Säilytä tämä käyttöohje tulevaa tarvetta varten.

Laitteen käyttö

- ◆ Älä käytä laitetta nesteiden tai syttyvien materiaalien keräämiseen.
- ◆ Älä käytä laitetta veden lähellä.
- ◆ Älä upota laitetta veteen.
- ◆ Älä koskaan irrota laturia pistorasiasta vetämällä virtajohtosta. Pidä laturin virtajohto etäällä lämmönlähteistä, öljystä ja terävistä reunoista.
- ◆ Tämä laite soveltuu yli 8-vuotiaiden lasten ja sellaisten henkilöiden käyttöön, joilla on fyysisiä tai älyllisiä rajoitteita tai aistirajoitteita, kuten myös laitteen toimintaan perehtymättömien henkilöiden käyttöön, jos heitä valvotaan tai jos he ovat saaneet laitteen turvalliseen käyttöön liittyvää opastusta ja ymmärtävät laitteen käyttöön liittyvät vaarat. Älä anna lasten leikkiä laitteella. Puhdistus- ja huoltotöitä ei saa jättää lapsille ilman valvontaa.

Tarkastus ja korjaus

- Tarkista ennen laitteen käyttöä, ettei laitteessa ole vahingoittuneita tai viallisia osia. Tarkista osien ja kytkimien kunto sekä muut seikat, jotka voivat vaikuttaa laitteen toimintaan.
- Älä käytä laitetta, jos jokin sen osa on vahingoittunut tai viallinen.
- Korjauta tai vaihdata vaurioituneet tai vialliset osat valtuutetussa huoltoliikkeessä.
- Tarkista säännöllisesti, ettei laturin virtajohto ole vahingoittunut. Vaihda laturi, jos virtajohto on vahingoittunut tai viallinen.
- Älä yritä korjata tai vaihtaa muita kuin tässä käyttöohjeessa erikseen määriteltäviä osia.

Lisäturvaohjeet

Muut riskit

- Myös muut kuin turvavaroituksissa mainitut riskit ovat mahdollisia työkalua käytettäessä. Nämä riskit voivat liittyä muun muassa virheelliseen tai pitkäaikaiseen käyttöön.
- Tiettyjä jäännösriskejä ei voi välttää, vaikka noudatat kaikkia turvamääräyksiä ja käytät turvalaitteita. Näitä ovat:
- liikkuvien osien koskettamisen aiheuttamat vahingot
 - kuumien osien koskettamisen aiheuttamat vahingot
 - osia tai lisälaitteita vaihdettaessa aiheutuneet vahingot
 - laitteen pitkäaikaisen käytön aiheuttamat vahingot. Kun käytät laitetta

pitkään, varmista, että pidät säännöllisesti taukoja.

Akut ja laturit

Akut

- Älä koskaan yritä avata mistään syystä.
 - Älä anna akun kastua.
 - Älä altista akkua kuumuudelle.
 - Älä säilytä akkuja tiloissa, joissa lämpötila voi nousta yli 40°C:een.
 - Lataa akku paikassa, jonka lämpötila on vähintään 10°C ja enintään 40 °C.
 - Käytä akun lataamiseen vain laitteen mukana toimitettua laturia. Väärän tyyppinen laturi voi aiheuttaa sähköiskun tai akun ylikuumenemisen.
 - Noudata akkujen hävittämisessä Ympäristönsuojelu-kohdassa esitetyjä ohjeita.
 - Suojaa akkua vahingoittumiselta niin, ettei sen kotelo rikkoudu eikä siihen kohdistu iskuja, sillä muutoin voi syntyä henkilövahinkojen ja tulipalon vaara.
 - Älä lataa viallisia akkuja.
 - Vaativissa oloissa voi ilmetä akkuvuotoja. Jos havaitset akkujen pinnalla nestettä, pyyhi se huolellisesti pois. Vältä ihokosketusta.
 - Jos nestettä joutuu silmiin tai iholle, noudata alla olevia ohjeita.
- Varoitus!** Akkuneste voi aiheuttaa aineellisia vahinkoja tai henkilövahinkoja. Jos nestettä joutuu iholle, se on välittömästi huuhdeltava pois vedellä. Jos ihoa kirvelee tai se punottaa tai on muuten ärtynyt,

kysy lisäohjeita lääkäriltä. Jos nestettä joutuu silmiin, huuhto välittömästi puhtaalla vedellä ja mene lääkäriin.

Laturit

Laturi on tarkoitettu tietyille jännitteelle. Tarkista aina, että verkkojännite vastaa arvokilvessä ilmoitettua jännitettä ja teknisten tietojen taulukossa annettuja tietoja.

Varoitus! Älä yritä vaihtaa laturiin tavallista verkkovirran pistoketta.

- Käytä BLACK+DECKERin laturia vain laitteen/työkalun mukana toimitetun akun lataamiseen. Muut akut voivat räjähtää ja aiheuttaa henkilövahinkoja tai aineellisia vahinkoja.
- Älä koskaan yritä ladata paristoja, joita ei ole tarkoitettu ladattavaksi.
- Jos virtajohto vahingoittuu, sen vaihtaminen on turvallisuussyistä jätettävä valmistajan tai valtuutetun BLACK+DECKER-huollon tehtäväksi.
- Älä altista laturia vedelle.
- Älä avaa laturia.
- Älä työnnä mitään laturin sisään.
- Lataa laite/työkalu/akku paikassa, jossa on kunnollinen ilmanvaihto.

Sähköturvallisuus

Laturi on tarkoitettu tietyille jännitteelle. Tarkista aina, että verkkojännite vastaa arvokilvessä ilmoitettua jännitettä. Älä yritä vaihtaa laturiin tavallista verkkovirran pistoketta.

Laturin symbolit



Lue tämä käyttöopas huolellisesti ennen laitteen käyttöä.

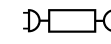
Tämä laite on kaksoiseristetty, joten erillistä maadoitusta ei tarvita. Tarkista aina, että verkkovirran jännite vastaa tyyppikilpeen merkittyä jännitettä.



Laturi on tarkoitettu ainoastaan sisäkäyttöön.

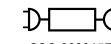
Laitteessa olevat merkinnät

Työkaluun on merkitty päivämääräkoodi sekä seuraavat symbolit:



SSC-040015EU/
S003DV0500015

NVC115JL/NVC115W/NVC115WA/
WDC115WA Käytä ainoastaan laturilla
SSC-040015EU/ S003BDV0500015



SSC-080015EU/
S003BEV0800015

NVC215W/NVC215WA/NVC220WC/
WDC215WA Käytä ainoastaan laturilla
SSC-080015EU/ S003BEV0800015

Yleiskuvas

Tässä työkalussa on joitakin tai kaikki seuraavista ominaisuuksista.

1. Virtakytkin
2. Astian vapautuspainike
3. Pölysäiliö
4. Latausalusta (vain NVC115W, NVC115WA, NVC215W, NVC215WA, NVC220WC, WDC115WA, WDC215WA).
- 4a. Laturin pistoke (vain NVC115JL).
5. Sisäänvedettävä rakosuulake (vain NVC215W, NVC215WA ja NVC220WC)
6. Harjasuulake (vain NVC115WA, NVC215WA, NVC220WC, WDC115WA ja WDC215WA)
7. Rakosuulake (vain NVC115WA)
8. Lasta (vain WDC115WA ja WDC215WA)

Kuva A

10. Kankainen kuivakeräyssuodatin (vain NVC)
11. Esisuodatin (vain NVC)
12. Märkä/kuiva vaahтомуovikappale (vain WDC)
13. Märkä/kuiva ohjain (vain WDC)

Asennus

Seinäasennus (vain NVC115W, NVC115WA, NVC215W, NVC215WA, NVC220WC, WDC115WA, WDC215WA).
(kuva B)

Laitte voidaan kiinnittää seinään, ja se on kätevä laitteen säilytys- ja latauspaikka.

Varmista seinäkiinnityksessä, että kiinnitystapa on seinätyypin ja laitteen painoon nähden sopiva.

- ◆ Merkitse ruuviniirien paikat (oltava pistorasian lähellä, jotta imuria voidaan ladata, kun se on seinätelineessä).
- ◆ Kiinnitä asennuspikide seinään käyttämällä seinän tyyppin ja laitteen painon mukaisia ruuveja ja asennustulppia.
- ◆ Kiinnitä laite seinälle kohdistamalla imurin pohjassa oleva aukko seinätelineen latauspitimessä olevaan koukkuun.

Asennus

Lisävarusteet (kuva C)

Näiden mallien mukana voidaan toimittaa seuraavat lisävarusteet:

- ◆ Ikkunalastatyökalu (9) tarkoitettu kovilla pinnoilla märkään käyttöön.
- ◆ Harjasuulake (6), tarkoitettu huonekalujen ja portaiden imurointiin.
- ◆ Rakosuulake (8), tarkoitettu ahtaiden tilojen imurointiin.
- ◆ Kotieläinten harjasuulake (7) kotieläinten karvojen poistamiseen.

Huomautus: Älä koskaan käytä kotieläinten harjasuulaketta suoraan kotieläimeen.

Kiinnittäminen (kuva C)

- ◆ Kiinnitä haluamasi lisävaruste laitteen nokkaan. Varmista, että lisävaruste on työnnetty kokonaan sisään.

Sisäänvedettävä rakosuulake (vain NVC215W, NVC215WA ja NVC220WC) (kuva D)

- ◆ Pidennä rakosuulake (5) kuvan D mukaisesti, kunnes se napsahtaa paikoilleen.
- ◆ Vedä rakosuulake sisään, paina painiketta (5a) ja liu'uta osa taakse pölysäiliöön (3) kuvan D mukaisesti.

Käyttö

- ◆ Ennen ensimmäistä käyttökertaa akku on ladattava vähintään 24 tuntia.

Varoitus! Poista laitteesta kaikki nestemäinen sisältö ja kuivaa laite huolellisesti ennen lataamista, jotta se ei vahingoitu.

Akun lataaminen latausalustalla (vain NVC115W, NVC115WA, NVC215W, NVC215WA, NVC220WC, WDC115WA, WDC215WA) (kuva B)

- ◆ Varmista, että laite on kytketty pois päältä. Akku ei lataudu, jos laitteen virtakytkintä (1) painetaan.
- ◆ Aseta laite latauspikidikeeseen (4).
- ◆ Kytke laturi pistorasiaan. Kytke virta.
- ◆ Anna laitteen latautua vähintään 21 tuntia.

Laturi saattaa lämmentä latautuessaan. Tämä on normaalia, eikä se ole merkki ongelmasta. Laite voidaan jättää laturiin vaikka kuinka pitkäksi aikaa.

Varoitus! Älä lataa akkua, jos ympäristölämpötila on alle 10 °C tai yli 40 °C.

Akun lataaminen laturin pistokkeella (vain NVC115JL) (kuva B1)

- ◆ Varmista, että laite on kytketty pois päältä. Akku ei lataudu, jos laitteen virtakytkintä (1) painetaan.
- ◆ Liitä laturin pistoke (4a) latausportiin (4b).
- ◆ Kytke laturi pistorasiaan. Kytke virta.
- ◆ LED-merkkivalo syttyy.
- ◆ Anna laitteen latautua vähintään 21 tuntia.

Laturi saattaa lämmentä latautuessaan. Tämä on normaalia, eikä se ole merkki ongelmasta. Laite voidaan jättää laturiin vaikka kuinka pitkäksi aikaa.

Varoitus! Älä lataa akkua, jos ympäristölämpötila on alle 10 °C tai yli 40 °C.

Käynnistäminen ja sammuttaminen (kuva E)

- ◆ Käynnistä laite painamalla ja pitämällä alhaalla virtakytkintä (1).
- ◆ Sammuta laite vapauttamalla virtakytkin (1).

Kuivakeräys (vain NVC)

- ◆ Tarkoitettu kuivien aineiden jokapäiväiseen keräämiseen.

Varoitus! Älä koskaan käytä näitä malleja märkakeräykseen.

Märkä- ja kuivakeräys (vain WDC)

- ◆ Käytä laitetta kuivien aineiden jokapäiväiseen keräämiseen ilman ikkunalastalisätarviketta.

Varoitus! Laitteella voi kerätä vain pieniä määriä kuivia aineita.

- ◆ Laitetta voi käyttää myös nesteiden keräämiseen. Käytä kovilla, kosteutta imevillä pinnoilla ikkunalastalisätarviketta. Laite siivoaa märät roiskeet nestettä imeviltä pinnoilta (kuten matolta) paremmin ilman lisätarviketta.
- ◆ Kovilta pinnoilta märät roiskeet pystytään keräämään parhaiten asettamalla ikkunalastan astian suuttimen aukkoon.
- ◆ Parhaat tulokset tätä tarviketta käytettäessä saat pitämällä laitetta 45°:n kulmassa ja vetämällä sitä hitaasti itseäsi kohti.
- ◆ Älä anna astian täytyttyä imuaukon yli. Jos astiassa on nestettä, älä käännä laitetta ylösalaisin tai sivuittain, suuntaa suutinta ylöspäin tai ravista imuria voimakkaasti.
- ◆ Puhdista laite ja suodatin välittömästi nestemäisten aineiden keräämisen jälkeen. Laitteessa voi muodostua homeita, jos sitä ei puhdisteta kunnolla märkien aineiden keräämisen jälkeen.
- ◆ Poista laitteesta kaikki nestemäinen sisältö ja kuivaa laite huolellisesti ennen lataamista, jotta se ei vahingoitu.

Imutehon optimointi

Jotta imuteho pysyisi mahdollisimman hyvänä, suodattimet on puhdistettava säännöllisesti käytön aikana.

Laitteen tyhjentäminen ja puhdistaminen

Pölyastian ja suodattimien irrottaminen (kuva F & G).

Varoitus! Suodattimet ovat uudelleen käytettäviä, ja ne on puhdistettava säännöllisesti.

- ◆ Paina astian vapautussalppaa (2) ja vedä pölyastia (3) irti.
- ◆ Pitele pölyastiaa roskakorin tai pesualtaan yläpuolella, vedä suodatin irti ja tyhjennä astian sisältö.
- ◆ Kiinnitä pölyastia takaisin kahvaan painamalla sitä, kunnes se napsahtaa kunnolla paikalleen.

Varoitus! Älä koskaan käytä laitetta ilman suodattimia.

Parhaan puhdistustuloksen saa vain, kun suodattimet ovat puhtaat.

Vaahtomuovikappale (kuva H) (vain WDC)

- ◆ Kiinnitä vaahtomuovikappale (12) märän/kuivan ohjaimen (13) keskelle.

Varoitus! Älä koskaan käytä laitetta märissä käyttökohteissa ilman vesiohjainta ja vaahtomuovikappaletta.

Esisuodatin (kuva I) (vain NVC)

Puhdistusta voidaan tehostaa irrottamalla suodatin ja esisuodatin toisistaan.

- ◆ Kierrä esisuodatinta /11 vastapäivään ja nosta se irti suodatimesta (10).

Varoitus! Älä koskaan käytä näitä malleja märkakeräykseen.

Pölyastioiden ja suodattimien puhdistaminen

- ◆ Pölyastiat ja suodattimet voidaan pestä lämpimällä saippuavedellä.
- ◆ Varmista ennen uudelleenasetusta, että suodattimet ja pölyastia ovat täysin kuivia.

Suodattimien vaihtaminen

Suodattimet on hyvä vaihtaa 6–9 kuukauden välein ja aina, kun ne ovat kuluneet tai vahingoittuneet.

Vaihtosuodattimia saat BLACK+DECKER-jälleenmyyjältä:

Huolto

Verkkojohdolla varustettu tai verkkojohdoton BLACK+DECKER-laite on suunniteltu toimimaan mahdollisimman kauan mahdollisimman vähällä huollolla. Oikea käsittely ja säännöllinen puhdistus varmistavat laitteen ongelmattoman toiminnan.

Varoitus! Ennen verkkojohdolla varustetun tai verkkojohdoton sähkötyökalan huoltoa toimi seuraavasti:

- ◆ Sammuta laite/työkalu ja irrota se verkkovirrasta.
- ◆ Jos laitteessa/työkalussa on erillinen akku, sammuta laite/työkalu ja irrota sen akku.
- ◆ Jos akku on kiinteä, käytä akku täysin loppuun ja sammuta laite/työkalu sitten.

- ◆ Irrota laturi pistorasiasta ennen laturin puhdistamista. Laturi ei tarvitse säännöllisen puhdistamisen lisäksi mitään muuta huoltoa.
- ◆ Puhdista laitteen/työkalu/laturin ilma-aukot säännöllisesti pehmeällä harjalla tai kuivalla kangasliinalla.
- ◆ Puhdista moottorikotelo säännöllisesti kostealla liinalla. Älä käytä hankaavia tai liuotinpohjaisia puhdistusaineita.

Ympäristönsuojelu



Toimita tämä laite erilliskeräykseen. Tällä symbolilla merkityitä tuotteita ja akkuja ei saa hävittää tavallisen kotitalousjätteen mukana.

Tuotteissa ja akuissa on materiaaleja, jotka voidaan ottaa talteen tai kierrättää uudelleen käyttöä varten.

Kierrätä sähkölaitteet ja akut paikallisten määräyksien mukaan. Lisätietoa on saatavilla osoitteessa

www.2helpU.com

Tekniset tiedot

	NVC115JL (H1) NVC115W (H1) NVC115WA (H1) WDC115WA (H1)	NVC215W (H1) NVC215WA (H1) NVC220WC (H1) WDC215WA (H1)
Jännite (V)	3,6	7,2
Akku	Li-Ion	Li-Ion
Paino (kg)	0,53	0,67
Laturi	SSC-040015EU/ S003BDV0500015	SSC-080015EU/ S003BEV0800015
Syöttöjännite (V _{ac})	100 - 240	100 - 240
Lähtöjännite (V)	4	8,25
Virta (mA)	150	150
Arvioitu latausaika	10	10

Takuu

Black & Decker on vakuuttanut tuotteidensa korkeasta laadusta ja tarjoaa kuluttajille 24 kuukauden takuun, joka astuu voimaan ostopäivänä. Takuu on lisäys kuluttajan laillisiin oikeuksiin eikä vaikuta niihin. Tämä takuu on voimassa kaikissa EU- ja ETA-maissa.

Edellytyksenä takuun saamiselle on, että vaade täyttää Black & Deckerin ehdot ja että ostaja toimittaa ostosittien jälleennyjälle tai valtuutetulle huoltoilikeelle. Black & Deckerin kahden vuoden takuun ehdot ja lähimmän valtuutetun korjauspalvelun yhteystiedot ovat saatavilla osoitteessa www.2helpU.com tai ottamalla yhteyttä paikalliseen Black & Deckerin toimipisteeseen tässä ohjekirjassa ilmoitettuihin osoitteisiin.

Käy verkkosivuillemme osoitteessa www.blackanddecker.co.uk ja rekisteröi uusi Black & Decker -tuotteesi. Sivuilta saat myös päivityksiä uusista tuotteista ja erikoistarjouksista.

Προβλεπόμενη χρήση

Το ηλεκτρικό σκουπάκι χειρός BLACK + DECKER Dustbuster® έχει σχεδιαστεί για ελαφρύ ηλεκτρικό σκούπισμα στεγνών επιφανειών (NVC115JL, NVC115W, NVC115WA, NVC215W, NVCW215WA, NVC220WC). Αυτή η συσκευή προορίζεται μόνο για οικιακή χρήση.

Το ηλεκτρικό σκουπάκι χειρός BLACK + DECKER Dustbuster® έχει σχεδιαστεί για ελαφρύ ηλεκτρικό σκούπισμα υγρών και στεγνών επιφανειών (WDC115WA, WDC215WA). Αυτή η συσκευή προορίζεται μόνο για οικιακή χρήση.

Οδηγίες ασφαλείας

Προειδοποίηση! Διαβάστε όλες τις προειδοποιήσεις ασφαλείας και όλες τις οδηγίες. Η μη τήρηση των παρακάτω προειδοποιήσεων και οδηγιών μπορεί να προκαλέσει ηλεκτροπληξία, πυρκαγιά και/ή σοβαρές σωματικές βλάβες.



Προειδοποίηση! Κατά τη χρήση συσκευών που τροφοδοτούνται με μπαταρία, θα πρέπει να λαμβάνετε βασικές προφυλάξεις ασφαλείας, συμπεριλαμβανομένων των παρακάτω, για τον περιορισμό του κινδύνου πυρκαγιάς, διαρροής υγρών μπαταρίας, τραυματισμού ατόμων και υλικών ζημιών.

- Πριν χρησιμοποιήσετε τη συσκευή διαβάστε προσεκτικά ολόκληρο το εγχειρίδιο.
- Η προβλεπόμενη χρήση περιγράφεται σε αυτό το εγχειρίδιο. Τόσο η χρήση αξεσουάρ ή προσαρτημάτων, όσο και η πραγματοποίηση με αυτή τη συσκευή οποιασδήποτε εργασίας,

πέραν αυτών που συνιστώνται στο παρόν εγχειρίδιο οδηγιών, μπορεί να εγκυμονεί κίνδυνο σωματικών βλαβών.

- Φυλάξτε αυτό το εγχειρίδιο για μελλοντική αναφορά.

Χρήση της συσκευής

- Μη χρησιμοποιείτε τη συσκευή για να περισυλλέξετε υγρά ή άλλα υλικά που θα μπορούσαν να πιάσουν φωτιά.
- Μη χρησιμοποιείτε τη συσκευή κοντά σε νερό.
- Μη βυθίσετε τη συσκευή σε νερό.
- Ποτέ μην αποσυνδέετε το φορτιστή από την πρίζα τραβώντας τον από το καλώδιό του. Διατηρείτε το καλώδιο φορτιστή σε απόσταση από πηγές θερμότητας, λάδια και κοφτερές αιχμές.
- Αυτή η συσκευή μπορεί να χρησιμοποιηθεί από παιδιά ηλικίας 8 ετών και άνω καθώς και από άτομα με μειωμένες σωματικές, αισθητηριακές ή διανοητικές ικανότητες ή άτομα χωρίς εμπειρία και γνώσεις, μόνο εφόσον επιτηρούνται ή τους έχουν δοθεί οδηγίες σχετικά με την ασφαλή χρήση της συσκευής και έχουν κατανοήσει τους πιθανούς κινδύνους. Τα παιδιά δεν πρέπει να παίζουν με τη συσκευή. Ο καθαρισμός και η συντήρηση από το χρήστη δεν πρέπει να γίνονται από παιδιά χωρίς επίβλεψη.

Έλεγχος και επισκευές

- Πριν από τη χρήση, ελέγξτε τη συσκευή σας για τυχόν εξαρτήματα που

παρουσιάζουν ζημιά ή βλάβη. Ελέγξτε αν υπάρχουν σπασμένα εξαρτήματα, ζημιά σε διακόπτες και οτιδήποτε άλλο μπορεί να επηρεάσει τη λειτουργία της.

- Μη χρησιμοποιήσετε τη συσκευή αν οποιοδήποτε εξάρτημά της έχει υποστεί ζημιά ή βλάβη.
- Φροντίστε τα εξαρτήματα που παρουσιάζουν ζημιά ή βλάβη να επισκευαστούν ή αντικατασταθούν από εξουσιοδοτημένο αντιπρόσωπο επισκευών.
- Να ελέγχετε τακτικά την κατάσταση του καλωδίου του φορτιστή. Σε περίπτωση που το καλώδιο του φορτιστή παρουσιάζει ζημιά ή ελάττωμα, αντικαταστήστε το φορτιστή.
- Ποτέ μην επιχειρήσετε να αφαιρέσετε ή να αντικαταστήσετε οποιοδήποτε εξάρτημα, εκτός από αυτά που καθορίζονται στο παρόν εγχειρίδιο.

Πρόσθετες οδηγίες ασφαλείας**Υπολειπόμενοι κίνδυνοι.**

Κατά τη χρήση του εργαλείου μπορεί να δημιουργηθούν πρόσθετοι υπολειπόμενοι κίνδυνοι, οι οποίοι ενδέχεται να μη συμπεριλαμβάνονται στις προειδοποιήσεις ασφαλείας που εσωκλείονται. Αυτοί οι κίνδυνοι μπορεί να προκληθούν από κακή χρήση, παρατεταμένη χρήση κλπ. Παρά την εφαρμογή των σχετικών κανονισμών ασφαλείας και τη χρήση διατάξεων ασφαλείας, ορισμένοι υπολειπόμενοι κίνδυνοι δεν είναι δυνατό να αποφευχθούν. Σε αυτούς περιλαμβάνονται:

- Τραυματισμοί από επαφή με οποιαδήποτε κινούμενα μέρη.
- Τραυματισμοί από επαφή με καυτά εξαρτήματα.
- Τραυματισμοί κατά την αλλαγή οποιωνδήποτε εξαρτημάτων ή αξεσουάρ.
- Τραυματισμοί που προκαλούνται από παρατεταμένη χρήση της συσκευής. Όταν χρησιμοποιείτε οποιαδήποτε συσκευή για παρατεταμένες χρονικές περιόδους, βεβαιωθείτε να κάνετε τακτικά διαλείμματα.

Μπαταρίες και φορτιστές**Μπαταρίες**

- Ποτέ μην επιχειρήσετε να ανοίξετε το προϊόν για κανένα λόγο.
- Μην εκθέτετε την μπαταρία σε νερό.
- Μην εκθέτετε την μπαταρία σε θερμότητα.
- Μην αποθηκεύετε σε τοποθεσίες όπου η θερμοκρασία ενδέχεται να υπερβαίνει τους 40°C.
- Να φορτίζετε μόνο σε θερμοκρασίες περιβάλλοντος μεταξύ 10°C και 40°C.
- Η φόρτιση πρέπει να γίνεται μόνο με το φορτιστή που παρέχεται μαζί με τη συσκευή/εργαλείο. Η χρήση λανθασμένου φορτιστή θα μπορούσε να επιφέρει ηλεκτροπληξία, ή υπερθέρμανση της μπαταρίας.
- Κατά την απόρριψη των μπαταριών, να ακολουθείτε τις οδηγίες που παρέχονται στην ενότητα "Προστασία του περιβάλλοντος".

- Μην καταστρέφετε/παραμορφώσετε την μπαταρία είτε τρυπώντας ή χτυπώντας την, διότι μπορεί να προκληθεί κίνδυνος τραυματισμού ή πυρκαγιάς.
- Μη φορτίζετε τις κατεστραμμένες μπαταρίες.
- Κάτω από ακραίες συνθήκες, μπορεί να επέλθει διαρροή υγρών μπαταρίας. Αν παρατηρήσετε υγρό πάνω στις μπαταρίες, σκουπίστε το προσεκτικά με ένα πανί. Αποφύγετε την επαφή με το δέρμα.
- Στην περίπτωση επαφής με το δέρμα ή τα μάτια, ακολουθήστε τις παρακάτω οδηγίες.

Προειδοποίηση! Το υγρό της μπαταρίας μπορεί να προκαλέσει σωματικές βλάβες ή υλικές ζημιές. Σε περίπτωση επαφής με το δέρμα, ξεπλύνετε αμέσως με άφθονο νερό. Αν παρουσιαστεί κοκκίνισμα του δέρματος, πόνος ή ερεθισμός, ζητήστε ιατρική βοήθεια. Σε περίπτωση επαφής με τα μάτια, ξεπλύνετε αμέσως με καθαρό νερό και ζητήστε ιατρική βοήθεια.

Φορτιστές

Ο φορτιστής σας είναι σχεδιασμένος για συγκεκριμένη ηλεκτρική τάση. Πάντα να ελέγχετε αν η τάση ρεύματος δικτύου αντιστοιχεί στην τάση που αναφέρεται στην πινακίδα τεχνικών χαρακτηριστικών και στις πληροφορίες στον πίνακα τεχνικών δεδομένων.

Προειδοποίηση! Ποτέ μην επιχειρήσετε να αντικαταστήσετε τη μονάδα φορτιστή με κανονικό φως ρεύματος δικτύου.

- Ο φορτιστής BLACK+DECKER πρέπει να χρησιμοποιείται αποκλειστικά και μόνο για τη φόρτιση της μπαταρίας στη συσκευή/το εργαλείο που συνόδεψε. Άλλες μπαταρίες ενδέχεται να εκραγούν, προκαλώντας τραυματισμό ατόμων και ζημιές.
- Μην επιχειρήσετε ποτέ να φορτίσετε μη επαναφορτιζόμενες μπαταρίες.
- Αν το καλώδιο τροφοδοσίας είναι κατεστραμμένο, πρέπει να αντικατασταθεί από τον κατασκευαστή ή εξουσιοδοτημένο κέντρο τεχνικής υποστήριξης της BLACK+DECKER για την αποφυγή κινδύνου.
- Μην εκθέτετε το φορτιστή σε νερό.
- Μην ανοίγετε το φορτιστή.
- Μην εισάγετε οποιαδήποτε αντικείμενα μέσα στο φορτιστή.
- Κατά τη φόρτιση, η συσκευή/το εργαλείο/η μπαταρία πρέπει να βρίσκεται σε καλά αεριζόμενο χώρο.

Ασφαλής χρήση ηλεκτρικού ρεύματος

Ο φορτιστής σας είναι σχεδιασμένος για συγκεκριμένη ηλεκτρική τάση. Ελέγχετε πάντα ότι η τάση ρεύματος δικτύου συμφωνεί με αυτήν που αναγράφεται στην πινακίδα τεχνικών χαρακτηριστικών. Ποτέ μην επιχειρήσετε να αντικαταστήσετε τη μονάδα φορτιστή με κανονικό φως ρεύματος δικτύου.

Σύμβολα επάνω στο φορτιστή



Πριν χρησιμοποιήσετε τη συσκευή διαβάστε προσεκτικά ολόκληρο το εγχειρίδιο.



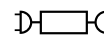
Αυτό το εργαλείο φέρει διπλή μόνωση. Επομένως, δεν απαιτείται καλώδιο γείωσης. Ελέγχετε πάντα ότι η παροχή ρεύματος αντιστοιχεί στην τάση που αναφέρεται στην πινακίδα στοιχείων.



Η βάση φόρτισης προορίζεται για χρήση μόνο σε εσωτερικούς χώρους.

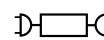
Ετικέτες πάνω στη συσκευή

Αυτή η συσκευή φέρει τα παρακάτω προειδοποιητικά σύμβολα μαζί με τον κωδικό ημερομηνίας:



SSC-040015EU/
S003DV0500015

NVC115JL/NVC115W/NVC115WA/
WDC115WA Χρήση μόνο με φορτιστή
SSC-040015EU/ S003BDV0500015



SSC-080015EU/
S003BEV0800015

NVC215W/NVC215WA/NVC220WC/
WDC215WA Χρήση μόνο με φορτιστή
SSC-080015EU/ S003BEV0800015

Χαρακτηριστικά

Αυτό το εργαλείο διαθέτει μερικά από ή όλα τα παρακάτω χαρακτηριστικά.

- Διακόπτης ενεργοποίησης/ απενεργοποίησης (On/off)
- Κουμπί αποδέσμευσης κάδου
- Κάδος συλλογής σκόνης
- Βάση φορτιστή (NVC115W, NVC115WA, NVC215W, NVC215WA, NVC220WC, WDC115WA, WDC215WA μόνο).
- Φως φορτιστή (NVC115JL μόνο).
- Ανασυρόμενο εξάρτημα χαραμάδων (NVC215W, NVC215WA και NVC220WC μόνο)
- Εξάρτημα βούρτσας (NVC115WA, NVC215WA, NVC220WC, WDC115WA και WDC215WA μόνο)
- Εξάρτημα χαραμάδων (NVC115WA μόνο)
- Εξάρτημα περισυλλογής υγρών (WDC115WA και WDC215WA μόνο)

Εικ. Α

- Υφασμάτινο φίλτρο για ξηρή περισυλλογή (μόνο για μονάδες NVC)
- Προ-φίλτρο (μόνο για μονάδες NVC)
- Αφρώδες ένθετο για υγρή/ξηρή περισυλλογή (μόνο για μονάδες WDC)
- Ανακλαστήρας για υγρή/ξηρή περισυλλογή (μόνο για μονάδες WDC)

Εγκατάσταση

Εγκατάσταση σε τοίχο (NVC115W, NVC115WA, NVC215W, NVC215WA, NVC220WC, WDC115WA, WDC215WA μόνο). (Εικ. Β)

Η συσκευή αυτή μπορεί να εγκατασταθεί πάνω στον τοίχο για εύκολη φύλαξη και φόρτιση.

Όταν τη στερεώνετε στον τοίχο, να βεβαιώνετε ότι η μέθοδος στερέωσης είναι κατάλληλη για τον τύπο του τοίχου και το βάρος της συσκευής.

- Σημειώστε τις θέσεις των οπών για τις βίδες (σε κοντινή απόσταση από μια πρίζα για τη φόρτιση της συσκευής, όσο βρίσκεται στο στήριγμα εγκατάστασης σε τοίχο).
- Στερεώστε το στήριγμα εγκατάστασης στον τοίχο, χρησιμοποιώντας κατάλληλες βίδες και ούπια για τον τύπο τοίχου και το βάρος της συσκευής.
- Αναρτήστε τη συσκευή στον τοίχο τοποθετώντας το άνοιγμα στη βάση της συσκευής πάνω από το άγκιστρο στο στήριγμα εγκατάστασης στον τοίχο για φόρτιση.

Συναρμολόγηση

Αξεσουάρ (Εικ. C)

Με τα μοντέλα αυτά μπορεί να παρέχονται ορισμένα από τα παρακάτω αξεσουάρ:

- Ένα εξάρτημα περισυλλογής υγρών (9) για την απορρόφηση υγρών σε σκληρές επιφάνειες.
- Ένα εξάρτημα βούρτσας (6) για έπιπλα και σκάλες.
- Ένα εξάρτημα χαραμάδων (8) για περιορισμένους χώρους.
- Ένα εξάρτημα βούρτσας κατοικιδίων (7) για αφαίρεση τριχών κατοικιδίων.

Σημείωση: Ποτέ μη χρησιμοποιείτε το εξάρτημα βούρτσας κατοικιδίων απευθείας πάνω σε ένα κατοικίδιο.

Τοποθέτηση (Εικ. C)

- Εισαγάγετε το κατάλληλο αξεσουάρ στο μπροστινό μέρος της συσκευής. Βεβαιωθείτε ότι έχετε εισαγάγει εντελώς μέσα το αξεσουάρ.

Ανασυρόμενο εξάρτημα χαραμάδων (NVC215W, NVC215WA και NVC220WC μόνο) (Εικ. D)

- Εκτείνετε το εργαλείο χαραμάδων (5) όπως δείχνει η εικόνα D, μέχρι να ασφαλίσει στη θέση του με χαρακτηριστικό ήχο κλικ.
- Για να ανασύρετε το εργαλείο χαραμάδων, στρώξτε το κουμπί (5a) προς τα κάτω και ανασύρετέ το πάλι μέσα στον κάδο συλλογής σκόνης (3) όπως δείχνει η εικόνα D.

Χρήση

- Πριν από την πρώτη χρήση, η μπαταρία θα πρέπει να έχει φορτιστεί για 24 ώρες τουλάχιστον.

Προειδοποίηση! Πριν τη φόρτιση, βεβαιωθείτε ότι έχετε αδειάσει όλο το υγρό περιεχόμενο και στεγνώστε καλά, για την αποφυγή πρόκλησης ζημιών στη συσκευή.

Φόρτιση της μπαταρίας μέσω βάσης φόρτισης (NVC115W, NVC115WA, NVC215W, NVC215WA, NVC220WC, WDC115WA, WDC215WA μόνο) (Εικ. Β)

- ◆ Βεβαιωθείτε ότι η συσκευή είναι απενεργοποιημένη. Η μπαταρία δεν φορτίζεται όταν είναι πατημένος ο διακόπτης λειτουργίας (1).
- ◆ Τοποθετήστε τη συσκευή πάνω στο στήριγμα φόρτισης (4).
- ◆ Συνδέστε το φορτιστή στην πρίζα. Ενεργοποιήστε από το δίκτυο ρεύματος.
- ◆ Αφήστε τη συσκευή να φορτιστεί για τουλάχιστον 21 ώρες.

Κατά τη φόρτιση, ο φορτιστής μπορεί να θερμανθεί. Αυτό είναι κανονικό, δεν είναι ένδειξη προβλήματος. Η συσκευή μπορεί να μένει συνεχώς συνδεδεμένη στο φορτιστή.

Προειδοποίηση! Μη φορτίζετε την μπαταρία σε θερμοκρασίες περιβάλλοντος κάτω από 10 °C ή πάνω από 40 °C.

Φόρτιση της μπαταρίας μέσω του φιν φορτιστή (NVC115JL μόνο) (Εικ. Β1)

- ◆ Βεβαιωθείτε ότι η συσκευή είναι απενεργοποιημένη. Η μπαταρία δεν φορτίζεται όταν είναι πατημένος ο διακόπτης λειτουργίας (1).
- ◆ Τοποθετήστε το φιν φορτιστή (4a) στην υποδοχή φόρτισης (4b).
- ◆ Συνδέστε το φορτιστή στην πρίζα. Ενεργοποιήστε από το δίκτυο ρεύματος.
- ◆ Η ένδειξη LED θα ανάψει.
- ◆ Αφήστε τη συσκευή να φορτιστεί για τουλάχιστον 21 ώρες.

Κατά τη φόρτιση, ο φορτιστής μπορεί να θερμανθεί. Αυτό είναι κανονικό, δεν είναι ένδειξη προβλήματος. Η συσκευή μπορεί να μένει συνεχώς συνδεδεμένη στο φορτιστή.

Προειδοποίηση! Μη φορτίζετε την μπαταρία σε θερμοκρασίες περιβάλλοντος κάτω από 10 °C ή πάνω από 40 °C.

Ενεργοποίηση και απενεργοποίηση (εικ. Ε)

- ◆ Για να ενεργοποιήσετε τη συσκευή, πατήστε και κρατήστε πατημένο το διακόπτη on/off (1).
- ◆ Για να απενεργοποιήσετε τη συσκευή, απελευθερώστε το διακόπτη on/off (1).

Ξηρή περισυλλογή (μόνο για μονάδες NVC)

- ◆ Για καθημερινές διαρροές ξηρών υλικών.

Προειδοποίηση! Ποτέ μη συλλέγετε υγρά υλικά με αυτές τις μονάδες.

Υγρή και ξηρή περισυλλογή (μόνο για μονάδες WDC)

- ◆ Για καθημερινές διαρροές ξηρών υλικών, χρησιμοποιήστε τη συσκευή σας χωρίς το εξάρτημα περισυλλογής υγρών.

Προειδοποίηση! Το προϊόν σας είναι σχεδιασμένο για μικρές μόνο διαρροές.

- ◆ Η συσκευή αυτή μπορεί να χρησιμοποιηθεί και για τη συλλογή καθημερινών υγρών διαρροών. Χρησιμοποιήστε το εξάρτημα περισυλλογής υγρών σε μη απορροφητικές, σκληρές επιφάνειες. Σε απορροφητικές επιφάνειες, όπως χαλιά, η συσκευή σας θα συλλέξει τα χυμένα υγρά καλύτερα χωρίς το εξάρτημα.

- ◆ Για την καλύτερη περισυλλογή υγρών σε σκληρή επιφάνεια, εισαγάγετε το εξάρτημα περισυλλογής υγρών στο άνοιγμα του ρύγχους του κάδο.

- ◆ Για καλύτερα αποτελέσματα όταν χρησιμοποιείτε το εξάρτημα, κρατάτε τη συσκευή υπό γωνία 45° και τραβήξτε το απαλά προς το μέρος σας.

- ◆ Μη γεμίζετε το κάδο πέρα από το άκρο της χοάνης εισαγωγής. Εάν υπάρχει υγρό στον κάδο, μη γυρίσετε τη συσκευή ανάποδα, προς το πλάι, μην κατευθύνετε το ρύγχος προς τα επάνω, ή μην ανακινήσετε υπερβολικά την συσκευή.

- ◆ Μετά από την περισυλλογή υγρών ουσιών καθαρίστε αμέσως τη συσκευή και το φίλτρο. Μπορεί να δημιουργηθεί μούχλα εάν η συσκευή δεν καθαριστεί σωστά μετά από περισυλλογή υγρών.

- ◆ Πριν τη φόρτιση, βεβαιωθείτε ότι έχετε αδειάσει όλο το υγρό περιεχόμενο και στεγνώστε καλά, για την αποφυγή πρόκλησης ζημιών στη συσκευή.

Βελτιστοποίηση της δύναμης αναρρόφησης

Για να διατηρήσετε τη βέλτιστη δύναμη αναρρόφησης, καθαρίζετε τα φίλτρα τακτικά κατά τη χρήση.

Άδειασμα και καθαρισμός της συσκευής.

Αφαίρεση του κάδου συλλογής σκόνης και των φίλτρων (εικ. F & G).

Προειδοποίηση! Τα φίλτρα είναι επαναχρησιμοποιήσιμα και θα πρέπει να καθαρίζονται τακτικά.

- ◆ Πιέστε το κουμπί αποδέσμευσης κάδου (2) και τραβήξτε ίσια τον κάδο συλλογής σκόνης (3) για να τον αφαιρέσετε.
- ◆ Ενώ κρατάτε τον κάδο συλλογής σκόνης πάνω από ένα κάδο ή ένα νεροχύτη, τραβήξτε έξω το φίλτρο για να αδειάσετε το περιεχόμενο του κάδου.
- ◆ Για να επανατοποθετήσετε τον κάδο συλλογής σκόνης, τοποθετήστε τον πάνω στη λαβή μέχρι να ασφαλίσει καλά στη θέση του.

Προειδοποίηση! Ποτέ μη χρησιμοποιήσετε τη συσκευή χωρίς τα φίλτρα. Η βέλτιστη περισυλλογή της σκόνης επιτυγχάνεται μόνο με καθαρά φίλτρα.

Αφρώδες παρέμβυσμα (εικ. Η) (μόνο για μονάδες WDC)

- ◆ Τοποθετήστε το αφρώδες παρέμβυσμα (12) μέσα στο κέντρο του εκτροπέα υγρής/ξηρής περισυλλογής (13).

Προειδοποίηση! Ποτέ μη χρησιμοποιείτε τη συσκευή για περισυλλογή υγρών χωρίς να είναι τοποθετημένα ο εκτροπέας νερού και το αφρώδες παρέμβυσμα.

Προ-φίλτρο (εικ. Ι) (μόνο για μονάδες NVC)

Το φίλτρο και το προ-φίλτρο μπορούν να διαχωριστούν για να καθαριστούν καλύτερα.

- ◆ Περιστρέψτε το προ-φίλτρο (11) αριστερόστροφα και ανασηκώστε το από το φίλτρο (10).

Προειδοποίηση! Ποτέ μη συλλέγετε υγρά υλικά με αυτές τις μονάδες.

Καθαρισμός των κάδων συλλογής σκόνης και των φίλτρων

- ◆ Οι κάδοι συλλογής σκόνης και τα φίλτρα μπορούν να πλυθούν με ζεστό σαπουνόνερο.
- ◆ Βεβαιωθείτε ότι τα φίλτρα και ο κάδος συλλογής σκόνης έχουν στεγνώσει πλήρως πριν τα επανατοποθετήσετε.

Αντικατάσταση των φίλτρων

Τα φίλτρα πρέπει να αντικαθίστανται κάθε 6 με 9 μήνες και όταν έχουν φθαρεί ή υποστεί ζημία.

Ανταλλακτικά φίλτρα είναι διαθέσιμα από τον τοπικό σας αντιπρόσωπο της BLACK+DECKER:

Συντήρηση

Αυτή η συσκευή/το εργαλείο ρεύματος/μπαταρίας της BLACK+DECKER έχει σχεδιαστεί έτσι ώστε να λειτουργεί για μεγάλο χρονικό διάστημα με την ελάχιστη δυνατή συντήρηση. Η συνεχής ικανοποιητική λειτουργία εξαρτάται από τη σωστή φροντίδα και τον τακτικό καθαρισμό του εργαλείου.

Προειδοποίηση! Πριν πραγματοποιήσετε οποιαδήποτε συντήρηση σε ηλεκτρικά εργαλεία ρεύματος/μπαταρίας:

- ◆ Απενεργοποιήστε και αποσυνδέστε τη συσκευή/εργαλείο από την πρίζα.
- ◆ Ή απενεργοποιήστε και αφαιρέστε την μπαταρία από τη συσκευή/εργαλείο εάν η συσκευή/εργαλείο διαθέτει ξεχωριστή μπαταρία.
- ◆ Ή χρησιμοποιήστε την μπαταρία μέχρι να αδειάσει εντελώς και στη συνέχεια απενεργοποιήστε.
- ◆ Αποσυνδέστε το φορτιστή από την πρίζα πριν τον καθαρίσετε. Ο φορτιστής σας δεν χρειάζεται καμία άλλη συντήρηση πέραν του τακτικού καθαρισμού.
- ◆ Να καθαρίζετε τακτικά τις εγχοπές εξερισμού της συσκευής/εργαλείου/φορτιστή με μια μαλακή βούρτσα ή με ένα στεγνό πανί.
- ◆ Να καθαρίζετε τακτικά το περίβλημα του μοτέρ με ένα υγρό πανί. Μη χρησιμοποιείτε καθαριστικά που χαράζουν ή περιέχουν διαλύτες.

Προστασία του περιβάλλοντος



Χωριστή συλλογή. Τα προϊόντα και οι μπαταρίες που επισημαίνονται με αυτό το σύμβολο δεν πρέπει να απορρίπτονται μαζί με τα κανονικά οικιακά απορρίμματα.

Τα προϊόντα και οι μπαταρίες περιέχουν υλικά που μπορούν να ανακτηθούν ή να ανακυκλωθούν ώστε να μειωθούν οι ανάγκες για πρώτες ύλες.

Παρακαλούμε να ανακυκλώνετε τα ηλεκτρικά προϊόντα και τις μπαταρίες σύμφωνα με τους τοπικούς κανονισμούς. Περισσότερες πληροφορίες διατίθενται στον ιστότοπο www.2helpU.com

Τεχνικά δεδομένα

	NVC115JL (H1) NVC115W (H1) NVC115WA (H1) WDC115WA (H1)	NVC215W (H1) NVC215WA (H1) NVC220WC (H1) WDC215WA (H1)
Τάση (V)	3,6	7,2
Μπαταρία	Ιόντων Λιθίου	Ιόντων Λιθίου
Βάρος (kg)	0,53	0,67
Φορτιστής	SSC-040015EU/ S003BDV0500015	SSC-080015EU/ S003BEV0800015
Τάση εισόδου (V _ε)	100 - 240	100 - 240
Τάση εξόδου (V)	4	8.25
Ένταση ρεύματος (mA)	150	150
Χρόνος φόρτισης κατά προσέγγιση	10	10

Εγγύηση

Η Black & Decker είναι σίγουρη για την ποιότητα των προϊόντων της και προσφέρει στους καταναλωτές εγγύηση 24 μηνών από την ημερομηνία αγοράς. Αυτή η εγγύηση συμπληρώνει και με κανένα τρόπο δεν παραβάλλει τα νόμιμα δικαιώματά σας. Η εγγύηση ισχύει εντός της επικράτειας των χωρών μελών της Ευρωπαϊκής Ένωσης και της Ευρωπαϊκής Ζώνης Ελεύθερων Συναλλαγών.

Για να υποβάλετε αξίωση βάσει της εγγύησης, η αξίωση θα πρέπει να είναι σύμφωνη με τους Όρους και προϋποθέσεις της Black&Decker και θα χρειαστεί να υποβάλετε απόδειξη αγοράς στον πωλητή ή σε εξουσιοδοτημένο αντιπρόσωπο σέρβις. Μπορείτε να αποκτήσετε τους Όρους και προϋποθέσεις της εγγύησης 2 ετών της Black&Decker και να μάθετε την τοποθεσία του πλησιέστερου εξουσιοδοτημένου αντιπροσώπου επισκευών στο Internet στο www.2helpU.com, ή επικοινωνώντας με το τοπικό σας γραφείο Black & Decker στη διεύθυνση που υποδεικνύεται στο παρόν εγχειρίδιο.

Παρακαλούμε επισκεφθείτε την ιστοσελίδα μας www.blackanddecker.gr για να καταχωρίσετε το νέο σας προϊόν Black & Decker και για να ενημερώνετε για τα νέα προϊόντα και τις ειδικές προσφορές.

België/Belgique/Luxembourg www.blackanddecker.be enduser.be@sbdinc.com	Stanley Black & Decker Belgium BVBA Egide Walschaertsstraat 16 2800 Mechelen	Tel. NL +32 15 47 37 65 Tel. FR +32 15 47 37 66 Fax. +32 15 47 37 99
Danmark	Black & Decker Roskildevej 22 2620 Albertslund	kundeservice.dk@sbdinc.com www.blackanddecker.dk
Deutschland www.blackanddecker.de infobfge@sdbinc.com	Stanley Black & Decker Deutschland GmbH Black & Decker Str. 40, D - 65510 Idstein	Tel. 06126 21-0 Fax 06126 21-2980
Ελλάδα www.blackanddecker.gr greece.service@sbdinc.com	Stanley Black & Decker (ΕΛΛΑΣ) Ε.Π.Ε ΓΡΑΦΕΙΑ: Σπύριδωνος 7 & Βουλιαγμένης 166 74 Γλυφάδα - Αθήνα	Τηλ. 210-8981616 Φαξ 210-8983570
SERVICE:	Ημερος Τόπος 2 -Χάνι Αδάμ 193 00 Ασπρόπυργος - Αθήνα	Τηλ. Service 210-8985208 Φαξ 210-5597598
España www.blackanddecker.es respuesta.posventa@sbdinc.com	Stanley Black & Decker Ibérica, S.C.A. Parc de Negocis "Mas Blau" Edificio Muntadas, c/Bergadá, 1, Of. A6 08820 El Prat de Llobregat (Barcelona)	Tel. 934 797 400 Fax 934 797 419
France www.blackanddecker.fr	Black & Decker (France) S.A.S. 5 allée des Hêtres B.P. 30084 69579 Limonest Cédex	Tel. 04 72 20 39 20 Fax 04 72 20 39 00
Helvetia www.blackanddecker.ch service@rofoag.ch	ROFO AG Gewerbezone Seeblick 3213 Kleinbödingen	Tel. 026-6749393 Fax 026-6749394
Italia www.blackanddecker.it service.italia@sbdinc.com	Stanley Black & Decker Italia Via Energypark 6 20871 Vimercate (MB)	Tel. 039-9590200 Fax 039-9590313 Numero verde 800-213935
Nederland www.blackanddecker.nl enduser.nl@sbdinc.com	Stanley Black & Decker Netherlands BV Holtum Noordweg 35, 6121 RE BORN Postbus 83, 6120 AB BORN	Tel. +31 164 283 065 Fax +31 164 283 200
Norge	Black & Decker Postboks 4613, Nydalen 0405 Oslo	kundeservice.no@sbdinc.com www.blackanddecker.no
Österreich www.blackanddecker.at service.austria@sbdinc.com	Stanley Black & Decker Austria GmbH Oberlaaerstraße 248, A-1230 Wien	Tel. 01 66116-0 Fax 01 66116-614
Portugal www.blackanddecker.pt resposta.posvenda@sbdinc.com	Black & Decker Limited SARL Quinta da Fonte - Edifício Q55 D, Diniz Rua dos Malhões, 2 e 2A - Piso 2 Esquerdo 2770 - 071 Paço de Arcos	Tel. 214667500 Fax 214667580
Suomi	Black & Decker PL47 00521, Helsinki	asiakaspalvelu.fi@sbdinc.com www.blackanddecker.fi
Sverige	Black & Decker AB Box 94, 431 22 Mölndal	kundservice.se@sbdinc.com www.blackanddecker.se
Türkiye www.blackanddecker.com.tr	KALE Hırdavat ve Makina A.Ş. Defferdar Mah. Savaklar Cad. No:15 Edimekapı / Eyüp / İstanbul 34050	Tel. 0212 533 52 55 Fax. 0212 533 10 05
United Kingdom & Republic Of Ireland www.blackanddecker.co.uk emeaservice@sbdinc.com	Black & Decker 210 Bath Road Slough, Berkshire SL1 3YD	Tel. 01753 511234 Fax 01753 512365
Middle East & Africa www.blackanddecker.ae service.mea@sbdinc.com	Black & Decker P.O.Box - 17164 Jebel Ali Free Zone (South), Dubai, UAE	Tel. +971 4 8863030 Fax +971 4 8863333