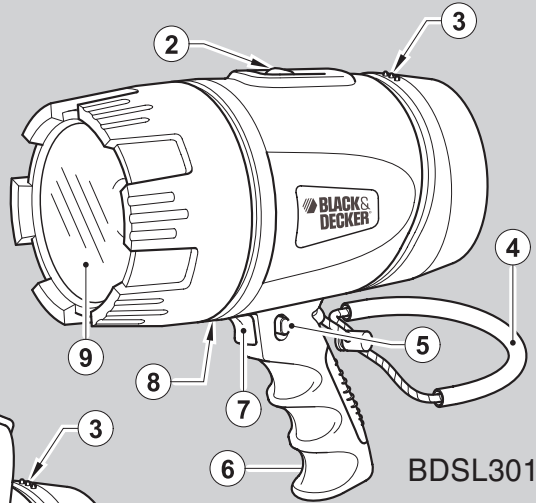
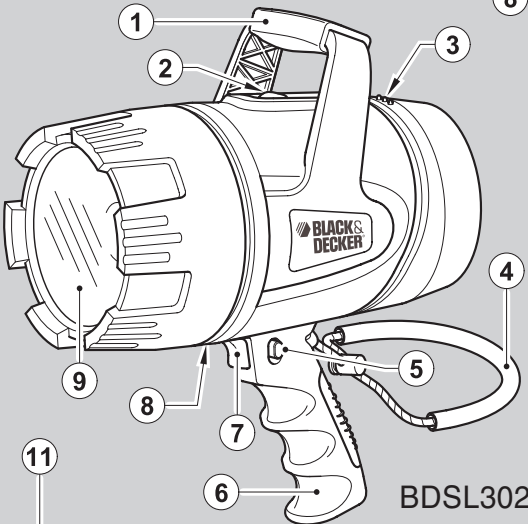


BLACK & DECKER®

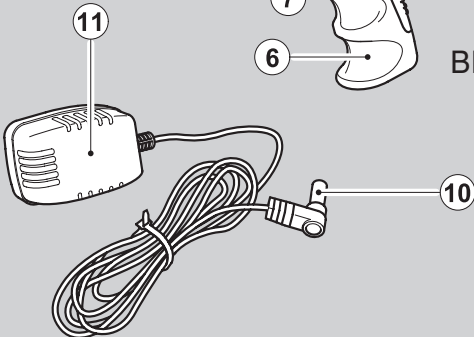
www.blackanddecker.co.uk



BDSL301



BDSL302

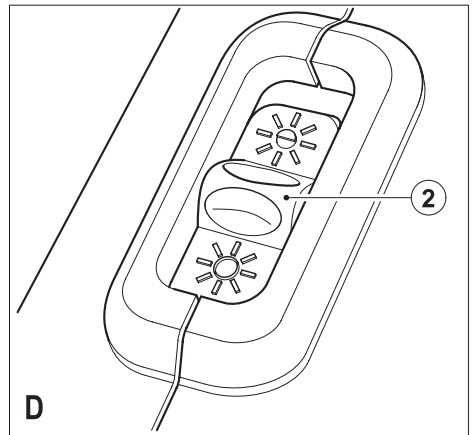
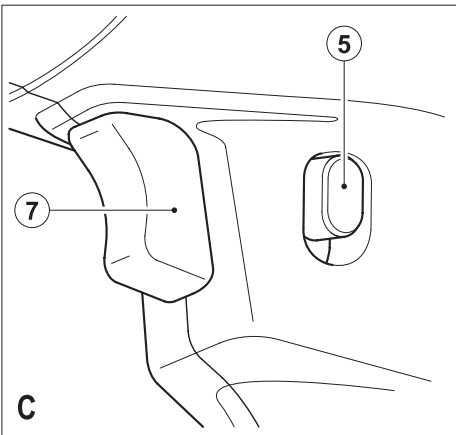
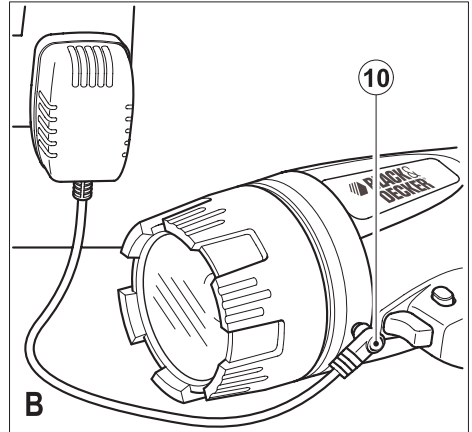
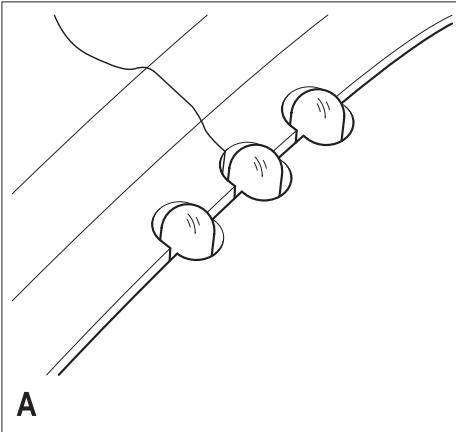


UK

Ireland

Australia

New Zealand



Intended use

Your Black & Decker spotlight has been designed for providing illumination for home and leisure use. This product is intended for consumer use only.

Safety instructions

Warning! When using battery-powered appliances, basic safety precautions, including the following, should always be followed to reduce the risk of fire, leaking batteries, personal injury and material damage.

- ◆ Read all of this manual carefully before using the appliance.
- ◆ The intended use is described in this manual. The use of any accessory or attachment or the performance of any operation with this appliance other than those recommended in this instruction manual may present a risk of personal injury.
- ◆ Retain this manual for future reference.

Using your appliance

Always take care when using the appliance.

- ◆ This appliance is not intended for use by young or infirm persons without supervision.
- ◆ The appliance is not to be used as a toy.
- ◆ Use in a dry location only. Do not allow the unit to become wet.
- ◆ Do not immerse the appliance in water.
- ◆ Do not open body casing. There are no user-serviceable parts inside.
- ◆ Do not operate the appliance in explosive atmospheres, such as in the presence of flammable liquids, gases or dust.
- ◆ To reduce the risk of damage to plugs and cords never pull the cable to remove the plug from a socket outlet.

After use

- ◆ When not in use, the appliance should be stored in a dry, well ventilated place out of the reach of children.
- ◆ Children should not have access to stored appliances.
- ◆ When the appliance is stored or transported in a vehicle it should be placed in the boot or restrained to prevent movement following sudden changes in speed or direction.
- ◆ The appliance should be protected from direct sunlight, heat and moisture.

Inspection and repairs

- ◆ Before use, check the appliance for damaged or defective parts. Check for breakage of parts, damage to switches and any other conditions that may affect its operation.

- ◆ Do not use the appliance if any part is damaged or defective.
- ◆ Have any damaged or defective parts repaired or replaced by an authorised repair agent.
- ◆ Never attempt to remove or replace any parts other than those specified in this manual.

Specific safety instructions for spotlights

The following safety symbols are marked on your spotlight:



Warning! To reduce the risk of injury, the user must read the instruction manual.



Warning! Do not touch the lens as it becomes very hot during operation and remains hot for several minutes after the spotlight is switched off.

Warning! Burn hazard. Hot lens may cause property damage or fire. Do not touch or obstruct the lens.

- ◆ Allow the spotlight to fully cool down before storage or charging.
- ◆ Keep combustible materials away from spotlight lens. Extreme heat can cause fires.
- ◆ Never place the light face-down on any surface when it is switched on or cooling.
- ◆ Do not leave the spotlight unattended. Keep children and animals away from the work area.
- ◆ Inspect the lens for damage following impact or if the spotlight is dropped. Do not operate without the lens in place or with a damaged lens.
- ◆ The lens is manufactured from glass. The lens may crack or break if subject to an impact. If the lens is damaged it must be replaced by manufacturers original parts. Wear gloves as sharp edges may cause injury.
- ◆ Never look directly into the light or shine the light into another person's eyes.
- ◆ Do not immerse spotlight in water.

Additional safety instructions for batteries and chargers

Batteries

- ◆ Never attempt to open for any reason.
- ◆ Do not charge damaged batteries.
- ◆ Do not expose the battery to water.
- ◆ Do not expose the battery to heat.
- ◆ Do not store in locations where the temperature may exceed 40°C.
- ◆ Charge only at ambient temperatures between 4°C and 40°C.
- ◆ Charge only using the chargers provided with the tool.
- ◆ When disposing of batteries, follow the instructions given in the section "Protecting the environment".

Chargers

Your charger has been designed for a specific voltage. Always check that the mains voltage corresponds to the voltage on the rating plate.

Warning! Never attempt to replace the charger unit with a regular mains plug.

Use your Black & Decker charger only to charge the battery in the tool with which it was supplied. Other batteries could burst, causing personal injury and damage.

- ◆ Never attempt to charge non-rechargeable batteries.
- ◆ Have defective cords replaced immediately.
- ◆ Do not expose the charger to water.
- ◆ Do not open the charger.
- ◆ Do not probe the charger.

The spotlight must be placed in a well ventilated area when charging.

All batteries lose charge with time, specially when they are warm. Recharge the unit every two months for 24 hours when not in frequent use.

If the unit is not going to be used for extended periods, disconnect the charger and store in a cool, dry place.

The following symbols are found on your charger:



Your charger is double insulated; therefore no earth wire is required.



Read all of this instruction manual carefully.



This appliance is intended for indoor use only



The charger automatically shuts off if the ambient temperature becomes too high. As a consequence the charger will be inoperable. The charging base must be disconnected from the mains supply and taken to an authorised service centre for repair.



This product must not be disposed of with normal household waste.

Features

This appliance includes some or all of the following features:

1. Carry handle
2. 2 Position brightness switch (high and low setting)
3. Charging LED indicator
4. Carry lanyard
5. Trigger lock
6. Pistol grip
7. On/off trigger switch
8. Charging socket
9. Quartz halogen bulb
10. Charger jack plug
11. Mains charger adaptor

Charging the spotlight (fig. A & B)

This spotlight is shipped in a partially charged state.

- ◆ Charge the spotlight before first use using the mains charging adaptor (11) for 24 hours or until the green charging LED (3) lights.
- ◆ Charge after each use until the green charging LED indicator (3) lights.

The LED (3) indicates the battery level whilst charging.

- ◆ One red LED indicates that the unit requires charging.
- ◆ Two red LEDs indicate a high level of charge remaining.
- ◆ The green LED lights shows the unit is fully charged.

Charging with the mains charger (fig. B)

- ◆ Make sure that the spotlight is off (the trigger lock (5) is in the off position and the trigger (7) is not pressed).

Note: To ensure optimum battery life do not charge for longer than 48 hours.

- ◆ Insert the charger jack plug (10) into the charging socket (8).
- ◆ Insert the mains charging adaptor (11) into a mains power socket.
- ◆ Charge until the green charging status LED (3) lights (approximately 24 hours).

Use

- ◆ Before operating the spotlight remove the charger jack plug (10) from the charging socket (8).

Operating the spotlight (fig. C)

- ◆ Move the trigger lock (5) to the unlocked position.
- ◆ To lock the trigger switch (7) in the on position, press the trigger switch (7) and push in the trigger lock (5).
- ◆ To shut the spotlight off, press the trigger (7) and move the trigger lock (5) to the unlocked position.
- ◆ Release the trigger (7).

High and low brightness switch (fig. D)

To extend the run time of the spotlight the unit is fitted with a brightness switch (2).

- ◆ Slide the switch (2) forward towards the bulb to set the spotlight on high beam.
- ◆ Slide the switch (2) to the rear to set the spotlight on low beam (extended run time).

Using the built-in carry lanyard

- ◆ The carry lanyard (4) may be used to store or carry the spotlight. Adjust the slide on the cords to keep the lanyard secure around the supporting object.

Maintenance

Your Black & Decker tool has been designed to operate over a long period of time with a minimum of maintenance. Continuous satisfactory operation depends upon proper tool care and regular cleaning.

Warning! Before performing any maintenance or cleaning on the appliance, unplug the appliance.

- ◆ From time to time wipe the appliance with a damp cloth. Do not use any abrasive or solvent-based cleaner. Do not immerse the appliance in water.

Protecting the environment



Separate collection. This product must not be disposed of with normal household waste.

Should you find one day that your appliance needs replacement, or if it is of no further use to you, think of the protection of the environment. Black & Decker repair agents will accept old Black & Decker tools and ensure that they are disposed of in an environmentally safe way.



Separate collection of used products and packaging allows materials to be recycled and used again. Re-use of recycled materials helps prevent environmental pollution and reduces the demand for raw materials

Local regulations may provide for separate collection of electrical products from the household, at municipal waste sites or by the retailer when you purchase a new product.

Black & Decker provides a facility for the collection and recycling of Black & Decker products once they have reached the end of their working life. To take advantage of this service please return your product to any authorised repair agent who will collect them on our behalf.

You can check the location of your nearest authorised repair agent by contacting your local Black & Decker office at the address indicated in this manual. Alternatively, a list of authorised Black & Decker repair agents and full details of our after-sales service and contacts are available on the Internet at: www.2helpU.com.



Black & Decker batteries can be recharged many times. At the end of their useful life, discard batteries with due care for our environment:

- ◆ Do not short-circuit the battery terminals.
- ◆ Do not dispose of the battery in fire, as this may result in an explosion.
- ◆ Be aware that the battery is heavy.
- ◆ Run the battery down completely, then remove it from the appliance.
- ◆ NiCd, NiMh, Lithium Ion and Lead Acid (Pb) batteries are recyclable. They must not be disposed of with household waste. Place the battery in suitable packaging to ensure that the terminals cannot be short-circuited. Take the battery to any authorised repair agent or a local recycling station

Technical data

	BDSL301	BDSL302
Input voltage	Vdc 12	12
Input current (max)	mA 300	300
Unit weight	kg 1.0	1.5
Runtime high	min 17	18
low	min 24	25
Battery	Type 6 V 3 Ah SLA	12 V 3 Ah SLA
Bulb	Type 6 V H3 35/25 W halogen	12 V H3 55/35 W halogen
Light Intensity	lm 300	760
Charger		
Input	Vac 230	230
Approx. charging time	h 18 - 24	18 - 24
Weight	kg 0.2	0.2

EC declaration of conformity

BDSL301 TYPE 1, BDSL302 TYPE 1

Black & Decker declares that these products conform to:
Standards & Legislation.
EN60598, 2006/95/EEC

The undersigned is responsible for compilation of the technical file and makes this declaration on behalf of
Black & Decker



Kevin Hewitt
Director of Consumer Engineering
Spennymoor, County Durham, DL16 6JG,
United Kingdom
08-08-2008

- ◆ The product has been used for trade, professional or hire purposes.
- ◆ The product has been subjected to misuse or neglect.
- ◆ The product has sustained damage through foreign objects, substances or accidents.
- ◆ Repairs have been attempted by persons other than authorised repair agents or Black & Decker service staff.

To claim on the guarantee, you will need to submit proof of purchase to the seller or an authorised repair agent. You can check the location of your nearest authorised repair agent by contacting your local Black & Decker office at the address indicated in this manual. Alternatively, a list of authorised Black & Decker repair agents and full details of our after-sales service and contacts are available on the Internet at:

www.2helpU.com

Please visit our website www.blackanddecker.co.uk to register your new Black & Decker product and to be kept up to date on new products and special offers. Further information on the Black & Decker brand and our range of products is available at www.blackanddecker.co.uk.

Guarantee

Black & Decker is confident of the quality of its products and offers an outstanding guarantee. This guarantee statement is in addition to and in no way prejudices your statutory rights. The guarantee is valid within the territories of the Member States of the European Union and the European Free Trade Area.

If a Black & Decker product becomes defective due to faulty materials, workmanship or lack of conformity, within 24 months from the date of purchase, Black & Decker guarantees to replace defective parts, repair products subjected to fair wear and tear or replace such products to make sure of the minimum inconvenience to the customer unless:

BDSL301

Partial support - Only parts shown available

Nur die aufgeführten teile sind lieferbar

Reparation partielle - Seules les pieces indiquees sont disponibles

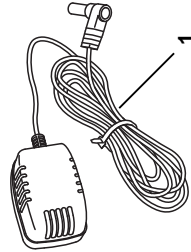
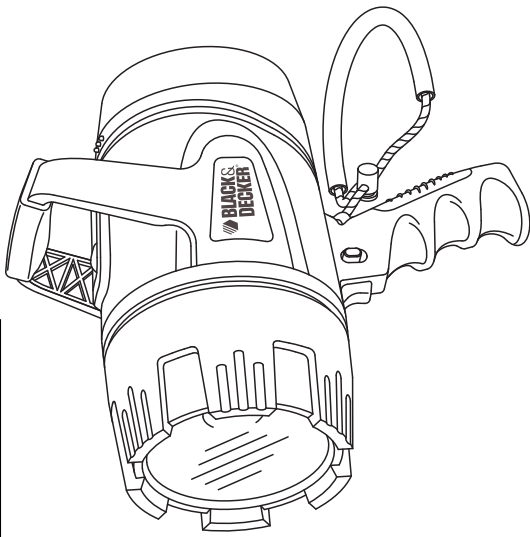
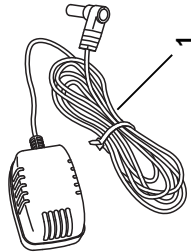
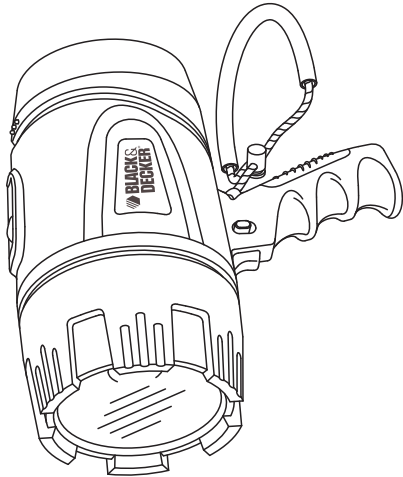
Supporto parziale - Sono disponibili soltanto le parti evidenziate

Solo estan disponibles las piezas listadas

So se encontraran disponibles as pecas listadas

Gedeeltelijke ondersteuning - alleen de getoonde onderdelen

zijn beschikbaar

BDSL302

Australia

Black & Decker (Australia) Pty. Ltd.
20 Fletcher Road, Mooroolbark,
Victoria, 3138

Tel. 03-8720 5100
Fax 03-9727 5940

New Zealand

Black & Decker
5 Te Apunga Place
Mt Wellington
Auckland 1060

Tel. +64 9 259 1133
Fax +64 9 259 1122

United Kingdom

Black & Decker
210 Bath Road
Slough, Berkshire SL1 3YD

Tel. 01753 511234
Fax 01753 551155
Helpline 01753 574277