



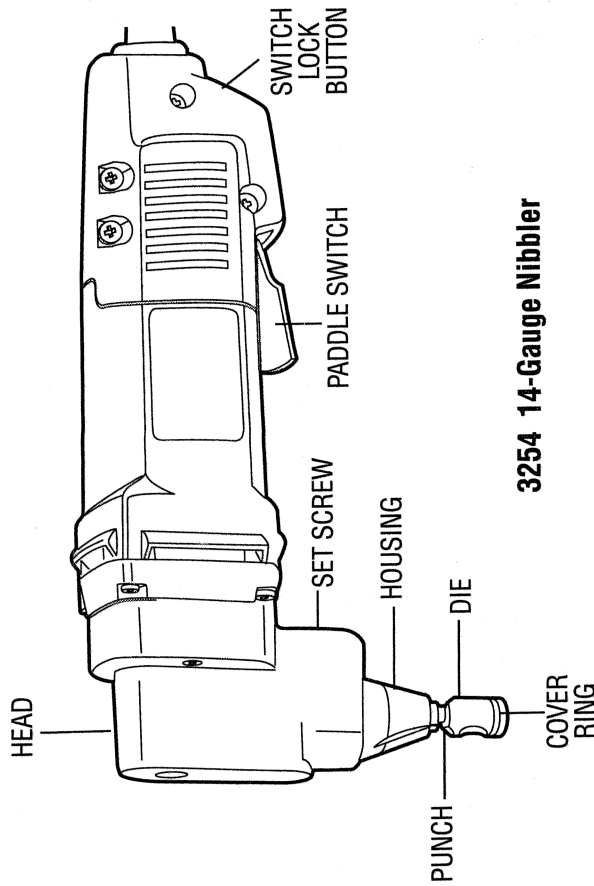
Instruction Manual

3254 14-Gauge Nibbler

Getting the most out of your tool.

Please take time to read this manual and pay particular attention to the safety rules we've provided for your protection. If you have any questions about your tool please call:

1-800-9-BD TOOL
(1-800-923-8665)



3254 14-Gauge Nibbler

IMPORTANT SAFETY INSTRUCTIONS

Important Safety Instructions

WARNING: When using electric tools, basic safety precautions should always be followed to reduce risk of fire, electric shock, and personal injury, including the following:

READ ALL INSTRUCTIONS

Double Insulation

Double insulated tools are constructed throughout with two separate layers of electrical insulation or one double thickness of insulation between you and the tool's electrical system. Tools built with this insulation system are not intended to be grounded. As a result, your tool is equipped with a two prong plug which permits you to use extension cords without concern for maintaining a ground connection.

NOTE: Double insulation does not take the place of normal safety precautions when operating this tool. The insulation system is for added protection against injury resulting from a possible electrical insulation failure within the tool.

CAUTION: WHEN SERVICING USE ONLY IDENTICAL REPLACEMENT PARTS. Repair or replace damaged cords.

Polarized Plugs

Polarized plugs (one blade is wider than the other) are used on equipment to reduce the risk of electric shock. When provided, this plug will fit into a polarized outlet only one way. If the plug does not fit fully into the outlet, reverse the plug. If it still does not fit, contact a qualified electrician to install the proper outlet. Do not change the plug in any way.

Safety Instructions For All Tools

- **KEEP WORK AREA CLEAN.** Cluttered areas and benches invite injuries.
- **CONSIDER WORK AREA ENVIRONMENT.** Don't expose power tools to rain. Don't use power tools in damp or wet locations. Keep work area well lit. Do not use tool in presence of flammable liquids or gases.
- **GUARD AGAINST ELECTRIC SHOCK.** Prevent body contact with grounded surfaces. For example; pipes, radiators, ranges, and refrigerator enclosures.
- **KEEP CHILDREN AWAY.** Do not let visitors contact tool or extension cord. All visitors should be kept away from work area.
- **STORE IDLE TOOLS.** When not in use, tools should be stored in dry, and high or locked-up place — out of reach of children.
- **DON'T FORCE TOOL.** It will do the job better and safer at the rate for which it was intended.
- **USE RIGHT TOOL.** Don't force small tool or attachment to do the job of a heavy-duty tool. Don't use tool for purpose not intended.
- **DRESS PROPERLY.** Do not wear loose clothing or jewelry. They can be caught in moving parts. Rubber gloves and non-skid footwear are recommended when working outdoors. Wear protective hair covering to contain long hair.
- **USE SAFETY GLASSES.** Also use face or dust mask if operation is dusty.
- **DON'T ABUSE CORD.** Never carry tool by cord or yank it to disconnect from receptacle. Keep cord from heat, oil, and sharp edges.
- **SECURE WORK.** Use clamps or a vise to hold work. It's safer than using your hand and it frees both hands to operate tool.
- **DON'T OVERREACH.** Keep proper footing and balance at all times.
- **MAINTAIN TOOLS WITH CARE.** Keep tools sharp and clean for better and safer performance. Follow instructions for lubricating and changing accessories. Inspect tool cords periodically and if damaged, have repaired by authorized service facility. Inspect extension cords periodically and replace if damaged. Keep handles dry, clean, and free from oil and grease.
- **DISCONNECT OR LOCK OFF TOOLS** when not in use, before servicing, and when changing accessories, such as blades, bits, cutters.
- **REMOVE ADJUSTING KEYS AND WRENCHES.** Form habit of checking to see that keys and adjusting wrenches are removed from tool before turning it on.
- **AVOID UNINTENTIONAL STARTING.** Don't carry tool with finger on switch. Be sure switch is off when plugging in.

- **EXTENSION CORDS.** Make sure your extension cord is in good condition. When using an extension cord, be sure to use one heavy enough to carry the current your product will draw. An undersized cord will cause a drop in line voltage resulting in loss of power and overheating. The following table shows the correct size to use depending on cord length and nameplate ampere rating. If in doubt, use the next heavier gage. The smaller the gage number, the heavier the cord.

Minimum Gage for Cord Sets		
Volts	Total Length of Cord in Feet	
120V	0-25	51-100
240V	0-50	101-200
		201-300
Ampere Rating	AWG	
More Than	Not more Than	
0	6	16
6	10	16
10	12	16
12	14	12
		Not Recommended

- **OUTDOOR USE EXTENSION CORDS.** When tool is used outdoors, use only extension cords intended for use outdoors and so marked.
- **STAY ALERT.** Watch what you are doing. Use common sense. Do not operate tool when you are tired.
- **CHECK DAMAGED PARTS.** Before further use of the tool, a guard or other part that is damaged should be carefully checked to determine that it will operate properly and perform its intended function. Check for alignment of moving parts, binding of moving parts, breakage of parts, mounting, and any other conditions that may affect its operation. A guard or other part that is damaged should be properly repaired or replaced by an authorized service center unless otherwise indicated elsewhere in this instruction manual. Have defective switches replaced by authorized service center. Do not use tool if switch does not turn it on and off.
- **CAUTION:** When drilling or driving into walls, floors or wherever live electrical wires may be encountered, **DO NOT TOUCH ANY METAL PARTS OF THE TOOL!** Hold the tool only by insulated grasping surfaces to prevent electric shock if you drill or drive into a live wire.

SAVE THESE INSTRUCTIONS

Operating Rules for Shears

1. Always wear safety glasses and protective gloves.
2. Wear safety shoes to protect your feet from sharp metal debris on floor.
3. Cut material at or below rated capacity. Remember, material thickness increases as gauge number decreases (14 gauge is thicker than 16 gauge). 14 gauge thickness is .075"; 16 gauge is .060".
4. Keep all screws tight. Periodically check them for loosening.
5. Unplug tool before making any adjustments.
6. Do not put anything into a motor housing opening.
7. Keep tool clean. Blow off any metal debris and dirt from tool.
8. Firmly secure the piece of metal to be cut to prevent movement during cutting.

Paddle Switch

To start the tool, depress the paddle switch. To turn the tool off, release the paddle. The switch can be locked on by engaging the lock button located near the rear of the tool while holding the paddle depressed. Always be sure that the tool is not locked on before plugging it in. To turn the tool off when it is locked on, squeeze and release the paddle once.

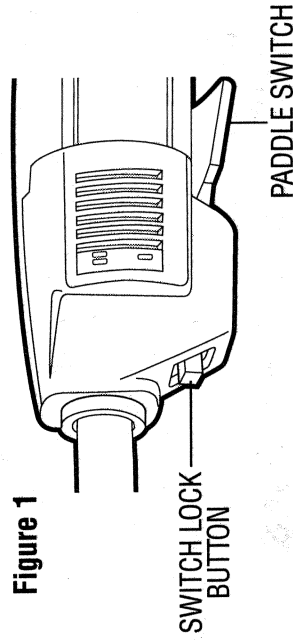


Figure 1

Operation

TURN OFF TOOL AND DISCONNECT FROM POWER SUPPLY BEFORE MAKING ANY ADJUSTMENTS. Always wear safety glasses and protective gloves.

Lubricate surface of material with oil. The nibbler is designed to cut flat and shallow corrugated metal.

The tool is factory assembled with the punch oriented forward for cutting flat and shallow corrugated material.

The head can be aligned in three positions: left, forward, and right (See Figure 2). To rotate the head, loosen the set screw. Turn the head in the desired direction. **NOTE:** Do not rotate the head in a complete circle as this will change the punch engagement in the die.

Rotate the housing in the head and turn the set screw in until you feel the set screw engage a recess in the shoe. Tighten the set screw firmly. Periodically recheck this screw for tightness.

The nibbler head is designed to fit through a 3/4" (19mm) diameter hole for starting a cut in the middle of the work. Nibbling can be done in any direction from this hole. A punch width indicator is provided on the front of the housing to allow users to follow a line closely (Figure 3).

The bottom of the housing has a .51" (13mm) diameter template guide to allow for use of templates. See Figures 2 and 3 for template guide surface. The thickness of the template should be such that the total thickness of the template and workpiece is 13/64" to 1/4" (5 to 6.5mm). The shape of the template must be .1" (2.5mm) away from the shape to be nibbled. The tool should be guided so that the outside diameter (.51" or 13mm) of the housing always rests on the template.

Figure 2

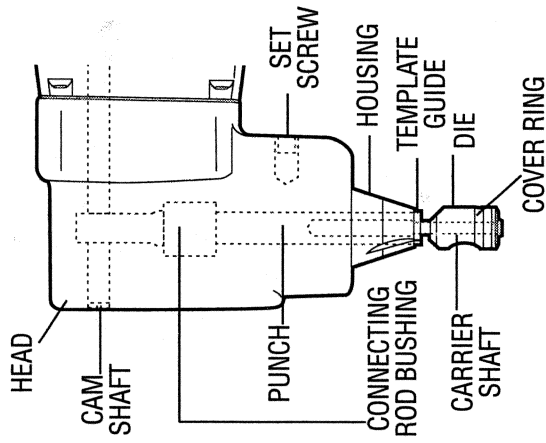
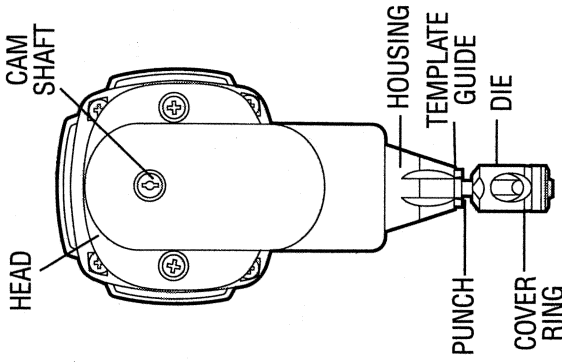


Figure 3



Reassembly of Nibbler Head

Screw the punch fully into the connecting rod bushing. Slide the housing over the end of the punch and into the head. Turn the housing to desired cut orientation. Tighten set screw. Next, check punch engagement.

Checking Punch Engagement

Since the punch length is now changed, the punch engagement may have to be adjusted. Check punch engagement by placing a flat blade screwdriver in the cam shaft slot and turning the shaft (See Figure 2). Punch should dip .020" to .06" (.5 to 1.15mm) into the die at the full down stroke position. Too much punch dip into the die will result in a loss of capacity (bottom of punch will not clear die enough on up stroke.)

Punch Engagement Adjustment

If the punch engagement should need adjustment, loosen the set screw and rotate shoe either clockwise (punch deeper into die) or counterclockwise (punch out of die). Tighten set screw firmly. Turn cam shaft with screwdriver in slot to check punch engagement (moving punch fully down). Repeat as necessary.

Die Replacement

If the die becomes dull, replace it. Replace old die by pushing the cover ring up and out of the die groove. Knock out the retaining pin under the cover ring with a drift punch. Pull die off the carrier shaft. Install new die on carrier shaft. Align cross hole in die with groove in carrier shaft. Install pin. Snap cover ring over die in groove provided.

Maintenance

DISCONNECT TOOL FROM POWER SUPPLY BEFORE PERFORMING ANY MAINTENANCE. Check that the punch and die are sharp. If either is dull, sharpen or replace. Keep the tool clean. Blow off periodically. Never use sol-

Changing Punches

Never cut with a blunt, dull punch. Punches can be sharpened until they reach a length of 2.72" (69mm). Shorter punches are unserviceable. To remove the punch, loosen the head set screw about 4-5 turns (See Figure 2). Slide the housing from the head. Unscrew the punch from the connecting rod bushing. Punch may be resharpened carefully on a bench grinder with a fine grit wheel. Be careful that the punch does not become shorter than the minimum length. Punches shorter than this will not engage the die sufficiently and must be replaced. The ground face must be square to the punch axis. After grinding, carefully stone the ground edges to remove burrs. Do not round over corners.

vents or harsh chemicals for cleaning non-metallic parts of the tool. Use a clean, dry rag only. Periodically dip the shoe in oil. This is a precision tool. Use it carefully and store it in a protected place.

Lubrication

B&D tools are properly lubricated at the factory and are ready for use. Tools should be relubricated regularly every sixty days to six months, depending on usage. (Tools used constantly on production or heavy-duty jobs and tools exposed to heat may require more frequent lubrication.) This lubrication should only be attempted by trained power tool repair persons such as those at B&D service centers or in other qualified service organizations.

Motor Brushes

Your tool is equipped with the B&D CHECKPOINT™ brush system. When the brushes become worn out, the tool will automatically stop and prevent damage to the motor. Brush replacement should be performed by B&D service centers or other qualified service organizations.

Important

To assure product SAFETY and RELIABILITY, repairs, maintenance and adjustment (including brush inspection and replacement) should be performed by authorized service centers or other qualified service organizations, always using identical replacement parts.

Accessories

Recommended accessories for use with your tool are available at extra cost from your distributor or local service center. **CAUTION:** The use of any non-recommended accessory may be hazardous.

If you need any assistance in locating any accessory call 1-800-9-BD TOOL: (1-800-923-8665) or contact Black & Decker (U.S.) Inc., Consumer Services Department, 626 Hanover Pike, P.O. Box 618, Hampstead, MD 21074

Every B&D tool is of the highest quality.

If you wish to contact us regarding this product, please call toll free between 8:00am and 8:00pm ET, seven days a week:

1-800-9-BD TOOL
(1-800-923-8665)

One Year Free Maintenance

All B&D tools for Industry and Construction are covered under a one year free maintenance program where B&D will inspect your tool for safety and provide necessary maintenance or repairs, including normal wear and tear parts, for one year, FREE OF CHARGE.

Full Warranty

All B&D tools for Industry and Construction are warranted to be free of any defects in materials or workmanship. Upon thorough examination of tool, B&D will repair or replace, at our option, any product that is determined to be defective.

Conditions

The service/safety check and the warranty do not apply to: repairs made or attempted by anyone other than an authorized B&D service location; misuse, abuse, neglect, improper application of the tool; missing parts; or normal wear and tear (after first year of ownership). Please return the complete unit, transportation prepaid, to any B&D factory owned or B&D authorized service center location (list provided with tool or see Yellow Pages under "Tools Electric").

YOUR POWER TOOLS MAY BE SERVICED AT THE FOLLOWING B&D SERVICE CENTERS.

ALABAMA: Birmingham 35209, 2412 Green Springs Hwy. 205-942-0538 Mobile 36608, 3831 Airport Blvd. 205-343-6624	IOWA: Des Moines 50310, 3427 Merle Hay Rd. 515-270-1340	OHIO (CONT'D) Parma Heights (Cleveland) 44130, 6483 Pearl Road. 216-842-9100 Toledo 43607, 3231 Dorr St. 419-531-8921	KANSAS: Wichita 67213, 155 S. West St. 316-943-1271	OKLAHOMA: Oklahoma City 73106, 1318 Linwood Blvd. 405-232-7515 Tulsa 74145, 3120 S. Sheridan Rd. 918-622-5666	OREGON: Portland 97209, 1640 N.W. Johnson St. 503-228-8631	PENNSYLVANIA: Evan's City 16033, 20808 Rt. 19 North. 412-779-9600 Harrisburg 17112, 6090 Allentown Blvd. 717-393-5251 Lancaster 17601, 118 Keller Ave. 717-393-5251 Philadelphia 19103, 333 N. 20th St. 215-564-5520 Philadelphia (North) 19115, 9977-81 Bustleton Ave. 215-464-7771 Pittsburgh 15232, 5437 Baum Blvd. 412-362-2700 Whitehall (Allentown) 18052, 2242 MacArthur Rd. 610-435-9544 Wilkes-Barre 18702, 759 Kiddier Street. 717-824-5704	PUERTO RICO: Puerto Nuevo 809-783-3535	RHODE ISLAND: See Seekonk, MA	SOUTH CAROLINA: Greenville 29607, 1557 Laurens Rd. 803-232-3038	TENNESSEE: Chattanooga 37421, 6231 Perimeter Drive, Space E. 615-894-5957 Knoxville 37917, 4118 N. Broadway. 615-688-0921 Memphis 38116, 1085 East Brooks Rd. 901-332-3444 Nashville 37211, 4811 Nolensville Rd. 615-833-8277	TEXAS: Amarillo 79106, 3008 West 6th Ave. 806-373-1531 Austin 78757, 6549 Burnet Rd. 512-459-1133 Dallas 75229, 2257 Royal Ln. 214-620-6685 El Paso 79915, 6822 Gateway East. 915-778-8789 Fort Worth 76111, 721 North Beach St. 817-831-3828 Garland 75043, 718 W. Centerville Rd. 214-686-9302 Houston 77022, 536 E. Tidwell Rd. 713-692-7111 Houston (S.W.) 77025, 9319 Stella Link Blvd. 713-664-3666 San Antonio 78201, 500 Culebra Ave. 210-732-1221 Webster 77598, 100 East Nasa Rd. One. 713-338-4556	UTAH: Salt Lake City 84115, 1541 S. Third West St. 801-486-5828	VIRGINIA: Falls Church 22046, 344 W. Broad St. 703-533-7313 Hampton 23666, 3416 W. Mercury Blvd. 804-828-9382 Norfolk 23513, 7631 Sewells Point Rd. 804-460-3333 Richmond 23222, 1424 Chamberlayne Ave. 804-649-9245	WASHINGTON: Seattle 98108, 421 S. Michigan St. 206-763-2010 Spokane 99208, N. 7011 Division St. 509-467-8190 Tacoma 98409, 2602 S. 38th St. 206-473-6040	WEST VIRGINIA: Charleston 25312, 1638 Sixth Ave. 304-343-0289	WISCONSIN: Milwaukee (Wauwatosa) 53226, 10424 West Bluemound Rd. 414-453-4240
ARIZONA: Mesa 85202, 535 S. Dobson, Suite 7. 602-461-1074 Phoenix 85013, 4501 N. 7th Avenue. 602-279-6414 Tucson 85712, 4845 E. Speedway Blvd. 602-323-3388	ARKANSAS: Little Rock 72201, 519 W. Seventh St. 501-372-3040	CALIFORNIA: Anaheim 92806, 540 South State College Blvd. 714-772-4050 Chula Vista 91910, 309 Broadway. 619-420-6350 Concord 94520, 1500 Monument Blvd., #C2. 510-682-4880 Fresno 93710, 5412 North Blackstone Ave. 209-435-0810 Long Beach 90805, 2011 South St. 510-422-5825 Los Angeles 90040, 4820 South Eastern Ave., Suite "L". 213-720-1834 Riverside 92506, 6215 Magnolia Ave., Suite "B". 909-787-9700 Sacramento 95825, 2033 Fulton Ave. 916-972-9090 San Diego 92123, 9270 Claremont Mesa Blvd. 619-279-2011 San Jose 95128, 1185 So. Bascom Ave. 408-293-7350 San Leandro 94578, 15206 E. 14th St. 510-276-1610 Van Nuys 91411, 14920 Victory Blvd. 818-787-5531	COLORADO: Denver 80219, 1171 S. Federal Blvd. 303-922-8325	CONNECTICUT: Orange 06477, 481 Boston Post Rd. 203-795-3583 Wethersfield (Hartford) 06109, 662 Silius Dean Hwy. 203-563-5600	DISTRICT OF COLUMBIA: Washington Colimar Manor 20722, 4153 Bladensburg Rd. 301-779-3808 Falls Church, VA 22046, 344 W. Broad St. 703-533-7313	FLORIDA: Ft. Lauderdale 33334, 799 E. Oakland Pk. Blvd. 305-566-5102 Ft. Myers 33907, 5224 Bank Street. 813-278-1188 Jacksonville 32205, 920 Cassat Ave. 904-781-2253 Miami (North) 33168, 13345 N.W. Seventh Ave. 305-681-6658 Miami (South) 33156, 12233 So. Dixie Hwy. 305-232-9497 Orlando 32803, 3807 E. Colonial Dr. 407-894-7011 St. Petersburg 33709, 5635 49th St., N. 813-525-0273 Tampa 33609, 3432 W. Kennedy Blvd. 813-872-8317 West Palm Beach 33415, 310 South Military Trail. 407-689-3247	GEORGIA: Atlanta (South) 30349, 5330 Old National Hwy. 404-762-8844 Smyrna 30080, 2550 Cobb Pkwy. 404-956-0869 Stone Mountain (Atlanta) 30086, 5723 Memorial Dr. 404-282-4714	HAWAII: Honolulu 96819, 330 Sand Island Access Road. 808-847-7447	ILLINOIS: Des Plaines (Chicago) 60018, 1277 South Elmhurst Rd. 708-364-5220 Lincolnwood (Chicago) 60466, 6710 N. Crawford Ave. 708-673-0923 Lisle (West Chicago) 60532, 2950 Ogden Ave., Unit H. 708-717-1075 Moline 61265, 4433 23rd Ave. 309-762-3000 Oak Lawn (Chicago) 60453, 6343 W. 95th St. 708-423-7212 Waukegan 60085, 39 S. Greenbay Rd. 708-249-4390	INDIANA: Evansville 47710, 307 First Ave., Crescent Ctr. 812-425-4269 Hammond 46323, 7103 Kennedy Ave. 219-845-5100 Indianapolis 46224, 5999 Crawfordsville Rd. 317-243-6308						

ALBERTA
Edmonton T6E 6H6, 3845 99th St. 403-462-5005

BRITISH COLUMBIA
Vancouver V5M 3Y7, 1735 Boundary Rd. 604-291-9942

MANITOBA
Winnipeg R3H 0K3, 934 St. James St. 204-783-7294

NOVA SCOTIA
Halifax B3K 2A4, 6100 Young Street. 902-453-5090

ONTARIO
Brockville K6V 5W6, 100 Central Ave. 613-342-6641
Kanata K2L 1V3, 462 Hazeldean Rd #11. 613-831-2332
Glencairn Plaza
London N6E 3A9, 981 Wellington Rd #6. 519-649-2407
Markham L3P 3J3, 9275 Hwy 48 Unit 12/13 ... 905-472-6168
Mississauga L4X 1L3, 1480 Dundas St. E #7. ... 905-277-0011
North York M3J 3G5, 48 Kodiak Cres. 416-635-6740

QUEBEC
Brossard J4W 1M6, 5840 Boul Taschereau. 514-462-4881
Montreal H1Y 1B4, 3061 Belanger. 514-722-1021

**FOR ADDITIONAL SERVICE LOCATIONS
CALL: 1-800-9-BD TOOL**

Black & Decker (U.S.) Inc. • 701 East Joppa Road, Towson, Maryland 21286

Printed in U.S.A. (AUG95-CD-2) Form No. 159453-01 Copyright © 1995