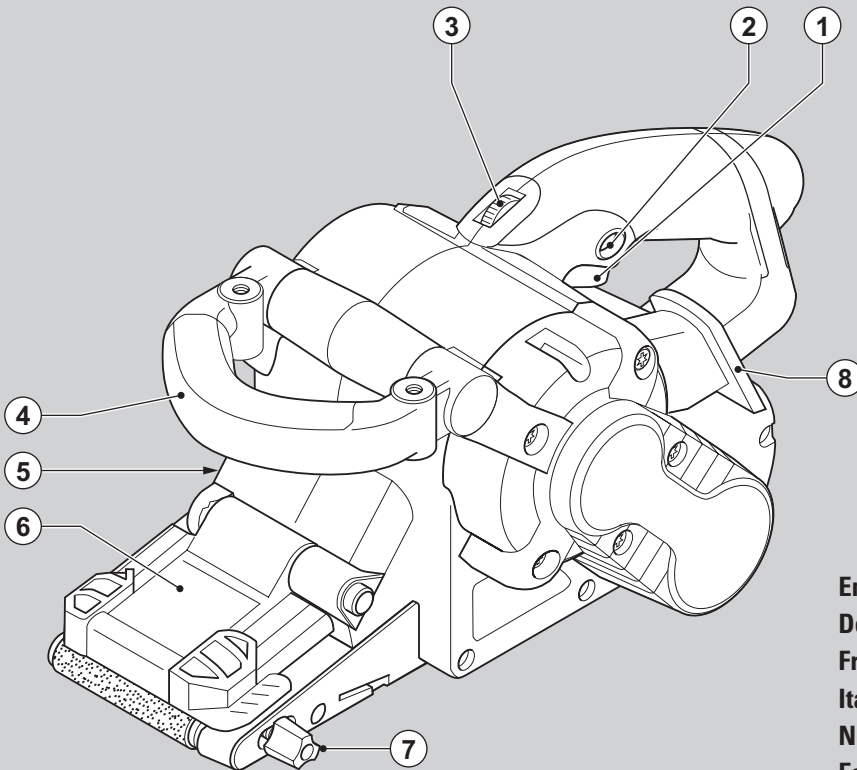


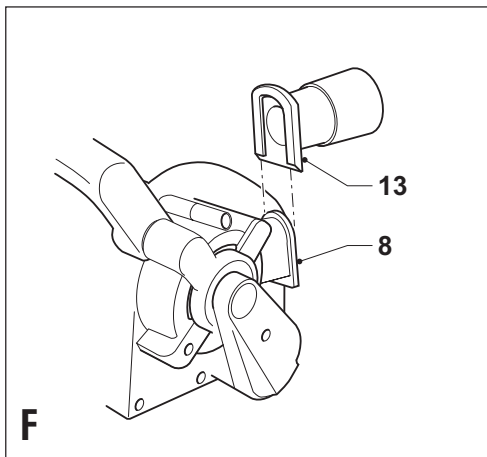
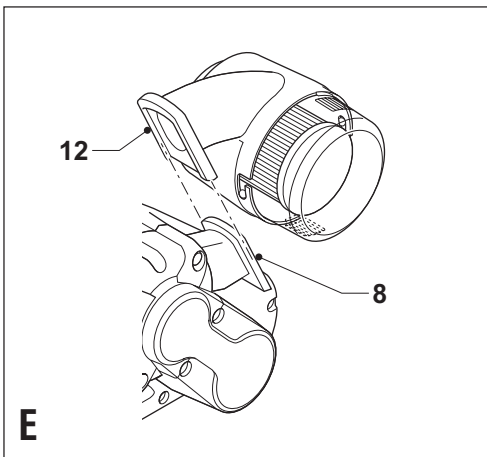
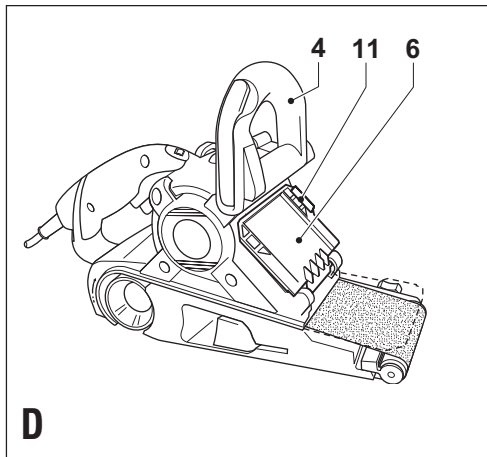
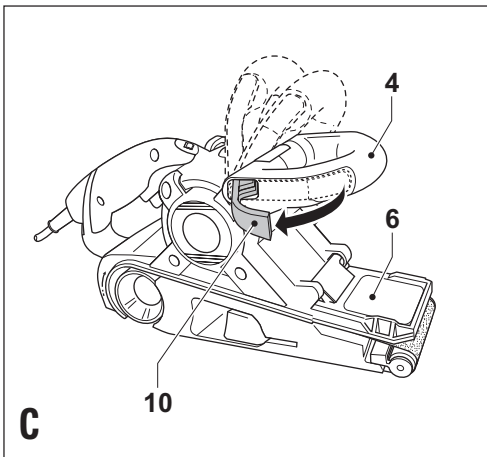
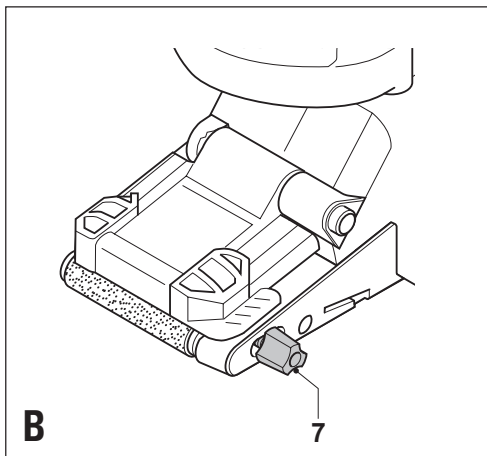
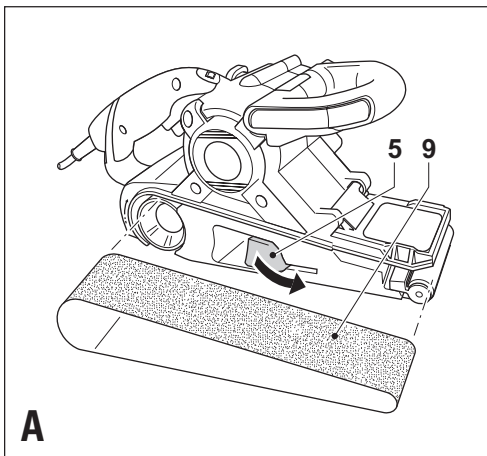
BLACK & DECKER®

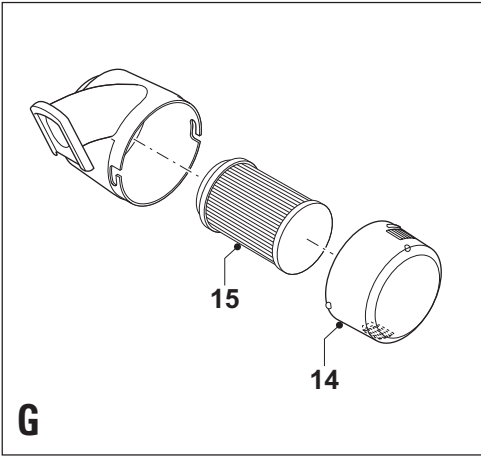
XT™

www.blackanddecker.com



English	4
Deutsch	8
Français	13
Italiano	18
Nederlands	23
Español	28
Português	33
Svenska	38
Norsk	42
Dansk	46
Suomi	50
Ελληνικά	54





Intended use

Your Black & Decker sander has been designed for sanding wood, metal, plastics and painted surfaces. This tool is intended for consumer use only.

General safety rules

Warning! Read all instructions. Failure to follow all instructions listed below may result in electric shock, fire and/or serious injury. The term “power tool” in all of the warnings listed below refers to your mains operated (corded) power tool or battery operated (cordless) power tool.

SAVE THESE INSTRUCTIONS.

1. Work area

- a. **Keep work area clean and well lit.** Cluttered and dark areas invite accidents.
- b. **Do not operate power tools in explosive atmospheres, such as in the presence of flammable liquids, gases or dust.** Power tools create sparks which may ignite the dust or fumes.
- c. **Keep children and bystanders away while operating a power tool.** Distractions can cause you to lose control.

2. Electrical safety

- a. **Power tool plugs must match the outlet. Never modify the plug in any way. Do not use any adapter plugs with earthed (grounded) power tools.** Unmodified plugs and matching outlets will reduce risk of electric shock.
- b. **Avoid body contact with earthed or grounded surfaces such as pipes, radiators, ranges and refrigerators.** There is an increased risk of electric shock if your body is earthed or grounded.
- c. **Do not expose power tools to rain or wet conditions.** Water entering a power tool will increase the risk of electric shock.
- d. **Do not abuse the cord. Never use the cord for carrying, pulling or unplugging the power tool. Keep cord away from heat, oil, sharp edges or moving parts.** Damaged or entangled cords increase the risk of electric shock.
- e. **When operating a power tool outdoors, use an extension cord suitable for outdoor use.** Use of a cord suitable for outdoor use reduces the risk of electric shock.

3. Personal safety

- a. **Stay alert, watch what you are doing and use common sense when operating a power tool. Do not use a power tool while you are tired or under the influence of drugs, alcohol or medication.** A moment of inattention while operating power tools may result in serious personal injury.

b. Use safety equipment. Always wear eye protection.

Safety equipment such as dust mask, non-skid safety shoes, hard hat, or hearing protection used for appropriate conditions will reduce personal injuries.

- c. **Avoid accidental starting. Ensure the switch is in the off position before plugging in.** Carrying power tools with your finger on the switch or plugging in power tools that have the switch on invites accidents.
- d. **Remove any adjusting key or wrench before turning the power tool on.** A wrench or a key left attached to a rotating part of the power tool may result in personal injury.
- e. **Do not overreach. Keep proper footing and balance at all times.** This enables better control of the power tool in unexpected situations.
- f. **Dress properly. Do not wear loose clothing or jewellery. Keep your hair, clothing and gloves away from moving parts.** Loose clothes, jewellery or long hair can be caught in moving parts.
- g. **If devices are provided for the connection of dust extraction and collection facilities, ensure these are connected and properly used.** Use of these devices can reduce dust related hazards.

4. Power tool use and care

- a. **Do not force the power tool. Use the correct power tool for your application.** The correct power tool will do the job better and safer at the rate for which it was designed.
- b. **Do not use the power tool if the switch does not turn it on and off.** Any power tool that cannot be controlled with the switch is dangerous and must be repaired.
- c. **Disconnect the plug from the power source before making any adjustments, changing accessories, or storing power tools.** Such preventive safety measures reduce the risk of starting the power tool accidentally.
- d. **Store idle power tools out of the reach of children and do not allow persons unfamiliar with the power tool or these instructions to operate the power tool.** Power tools are dangerous in the hands of untrained users.
- e. **Maintain power tools. Check for misalignment or binding of moving parts, breakage of parts and any other condition that may affect the power tools operation. If damaged, have the power tool repaired before use.** Many accidents are caused by poorly maintained power tools.
- f. **Keep cutting tools sharp and clean.** Properly maintained cutting tools with sharp cutting edges are less likely to bind and are easier to control.

- g. Use the power tool, accessories and tool bits etc., in accordance with these instructions and in the manner intended for the particular type of power tool, taking into account the working conditions and the work to be performed.** Use of the power tool for operations different from those intended could result in a hazardous situation.

5. Service

- a. Have your power tool serviced by a qualified repair person using only identical replacement parts.** This will ensure that the safety of the power tool is maintained.

Additional safety instructions for sanders

- ◆ **Warning!** Contact with or inhalation of dusts arising from sanding applications may endanger the health of the operator and possible bystanders. Wear a dust mask specifically designed for protection against dust and fumes and ensure that persons within or entering the work area are also protected.
- ◆ Thoroughly remove all dust after sanding.
- ◆ Take special care when sanding paint which is possibly lead based or when sanding some woods and metal which may produce toxic dust:
 - Do not let children or pregnant women enter the work area.
 - Do not eat, drink or smoke in the work area.
 - Dispose of dust particles and any other debris safely.
- ◆ Before using the tool on wooden workpieces, make sure to fit the dust cassette.
- ◆ Before using the tool on metal workpieces, make sure to remove the dust cassette.

Electrical safety



This tool is double insulated; therefore no earth wire is required. Always check that the power supply corresponds to the voltage on the rating plate.

- ◆ This appliance is not intended for use by young or infirm persons without supervision. Children must be supervised to ensure they do not play with the appliance.
- ◆ If the supply cord is damaged, it must be replaced by the manufacturer or an authorised Black & Decker Service Centre in order to avoid a hazard.

Features

1. On/off switch
2. Lock-on button
3. Variable speed control knob
4. Adjustable handle
5. Tension lever

6. Retractable hood
7. Centring knob
8. Dust extraction outlet

Assembly

Warning! Before assembly, make sure that the tool is switched off and unplugged.

Fitting a sanding belt (fig. A)

Warning! Never use the tool without a sanding belt.

- ◆ Pull the tension lever (5) outward to release the tension on the sanding belt (9).
- ◆ Remove the old sanding belt.
- ◆ Place a new sanding belt over the rollers. Ensure that the arrow on the sanding belt points in the same direction as the arrow on the tool.
- ◆ Push the tension lever (5) inward to tension the sanding belt.

Adjusting the sanding belt tracking (fig. B)

To ensure a correct tracking, the sanding belt must be centred over the rollers.

- ◆ Switch on the tool while holding it upside down.
- ◆ Turn the centring knob (7) as required until the tracking of the belt is centred over the rollers.

Adjusting the handle (fig. C)

The handle is adjustable to 3 positions.

- ◆ Unlock the handle (4) by pulling the locking handle (10) outward.
- ◆ Adjust the handle in the desired position.
- ◆ Lock the handle by pushing the locking handle inward.

Retracting the hood (fig. D)

The hood can be retracted for sanding in confined spaces.

Warning! The hood can only be retracted when the adjustable handle is in the up position.

- ◆ Adjust the handle (4) in the straight-up position.
- ◆ Lift the hood (6) up.
- ◆ To close the hood, pull the tab (11) sideways first.

Fitting and removing the dust cassette (fig. E)

- ◆ Slide the dust cassette (12) over the dust extraction outlet (8).
- ◆ To remove the dust cassette, slide it off the outlet.

Connecting a vacuum cleaner (fig. F)

- ◆ Slide the adaptor (13) over the dust extraction outlet (8).
- ◆ Connect the hose of the vacuum cleaner to the adaptor.

Use

Warning! Let the tool work at its own pace. Do not overload.

Variable speed control

The variable speed control allows you to adapt the speed of the tool to the workpiece material.

- ◆ Set the control knob (3) to the desired setting. Use a high speed for wood, medium speed for veneer and synthetics and low speed for acrylic glass, non-ferrous metals and for removing paints.

Switching on and off

- ◆ To switch the tool on, press the on/off switch (1).
- ◆ For continuous operation, press the lock-on button (2) and release the on/off switch.
- ◆ To switch the tool off, release the on/off switch. To switch the tool off when in continuous operation, press the on/off switch once more and release it.

Emptying the dust cassette (fig. E & G)

The dust cassette should be emptied every 10 minutes of use.

- ◆ Remove the dust cassette (12) to the rear and off the tool.
- ◆ Remove the cover (14) by twisting it clockwise.
- ◆ Hold dust cassette with the filter (15) facing down and shake the cassette to empty the contents. Shake the cover to empty the contents.
- ◆ Refit the cover (14) onto the dust cassette, twisting it counterclockwise until it locks into place.
- ◆ Refit the dust cassette onto the tool.

Cleaning the dust cassette filter

The dust cassette filter is re-usable and should be cleaned regularly.

- ◆ Empty the dust cassette (12) as described above.
- ◆ Pull the filter (15) off the dust cassette.

Warning! Do not twist the filter.

- ◆ Shake off excess dust by tapping the filter into a dustbin.

Warning! Do not brush or use compressed air or sharp objects to clean the filter. Do not wash the filter.

- ◆ Replace the filter.
- ◆ Refit the cover.
- ◆ Refit the dust cassette onto the tool.

Hints for optimum use

- ◆ Always hold the tool with both hands.
- ◆ Do not exert too much pressure on the tool.
- ◆ Regularly check the condition of the sanding belt. Replace when necessary.
- ◆ Always sand with the grain of the wood.
- ◆ When sanding new layers of paint before applying another layer, use extra fine grit.

- ◆ On very uneven surfaces, or when removing layers of paint, start with a coarse grit. On other surfaces, start with a medium grit. In both cases, gradually change to a fine grit for a smooth finish.
- ◆ Consult your retailer for more information on available accessories.

Maintenance

Your tool has been designed to operate over a long period of time with a minimum of maintenance. Continuous satisfactory operation depends upon proper tool care and regular cleaning.

- ◆ Regularly clean the ventilation slots in your tool using a soft brush or dry cloth.
- ◆ Regularly clean the motor housing using a damp cloth. Do not use any abrasive or solvent-based cleaner.

Mains plug replacement (U.K. & Ireland only)

If a new mains plug needs to be fitted:

- ◆ Safely dispose of the old plug.
- ◆ Connect the brown lead to the live terminal in the new plug.
- ◆ Connect the blue lead to the neutral terminal.

Warning! No connection is to be made to the earth terminal. Follow the fitting instructions supplied with good quality plugs. Recommended fuse: 5 A.

Protecting the environment



Separate collection. This product must not be disposed of with normal household waste.

Should you find one day that your Black & Decker product needs replacement, or if it is of no further use to you, do not dispose of it with household waste. Make this product available for separate collection.



Separate collection of used products and packaging allows materials to be recycled and used again. Re-use of recycled materials helps prevent environmental pollution and reduces the demand for raw materials.

Local regulations may provide for separate collection of electrical products from the household, at municipal waste sites or by the retailer when you purchase a new product.

Black & Decker provides a facility for the collection and recycling of Black & Decker products once they have reached the end of their working life. To take advantage of this service please return your product to any authorised repair agent who will collect them on our behalf.

You can check the location of your nearest authorised repair agent by contacting your local Black & Decker office at the address indicated in this manual. Alternatively, a list of authorised Black & Decker repair agents and full details of our after-sales service and contacts are available on the Internet at: www.2helpU.com

Technical data

		XTA80EK
Input voltage	V _{AC}	230
Power input	W	750
Belt speed	m/min	120 - 250
Sanding base surface	mm	75 x 533
Weight	kg	3.7

EC declaration of conformity

XTA80EK

Black & Decker declares that these products conform to: 98/37/EC, 89/336/EEC, 2002/95/EC, EN 60745, EN 55014, EN 61000

L_{PA} (sound pressure) 87 dB(A), L_{WA} (acoustic power) 98 dB(A), hand/arm weighted vibration 3.8 m/s²

K_{PA} (sound pressure uncertainty) 3 dB(A),
K_{WA} (acoustic power uncertainty) 3 dB(A)



Kevin Hewitt
Director of Consumer Engineering
Spennymoor, County Durham DL16 6JG,
United Kingdom
1-5-2006

Guarantee

Black & Decker is confident of the quality of its products and offers an outstanding guarantee. This guarantee statement is in addition to and in no way prejudices your statutory rights. The guarantee is valid within the territories of the Member States of the European Union and the European Free Trade Area.



If a Black & Decker XT product (excluding accessories, attachments, batteries, chargers and chucks) becomes defective due to faulty materials, workmanship or lack of conformity within 3 years from the date of purchase, Black & Decker guarantees to replace all defective parts, repair products subject to fair wear and tear or replace such products, provided that the product is registered on the Black & Decker XT warranty website within 90 days of purchase.

If the product is not registered, then only the standard warranty (2 years) applies.

The warranty does not apply if:

- ◆ The product has been used for trade, professional or hire purposes;
- ◆ The product has been subjected to misuse or neglect;
- ◆ The product has sustained damage through foreign objects, substances or accidents;
- ◆ Repairs have been attempted by unauthorised persons;
- ◆ The product has been adapted in any way from its original specification;
- ◆ Unsuitable accessories or attachments have been used.

The extended warranty does not apply if:

- ◆ Proof of purchase and the original extended warranty certificate is not produced.

Register your product on-line now at www.blackanddecker.co.uk/xt to qualify for the extended warranty (3 years), and to be kept up to date on new products and special offers.

To claim on the guarantee, you will need to submit proof of purchase to the seller or an authorised repair agent. You can check the location of your nearest authorised repair agent by contacting your local Black & Decker office at the address indicated in this manual. Alternatively, a list of authorised Black & Decker repair agents and full details of our after-sales service and contacts are available on the Internet at:

www.2helpU.com

Further information on the Black & Decker brand and our range of products is available at www.blackanddecker.co.uk

Bestimmungsgemäße Verwendung

Ihr Black & Decker Schleifer wurde zum Schleifen von Holz, Metall, Kunststoff und lackierten Oberflächen entwickelt. Dieses Gerät ist nicht für den gewerblichen Einsatz vorgesehen.

Allgemeine Sicherheitsregeln

Achtung! Sämtliche Anweisungen sind zu lesen.

Die Nichteinhaltung der nachstehend aufgeführten Anweisungen kann einen elektrischen Schlag, Brand und/oder schwere Verletzungen verursachen. Der nachfolgend verwendete Begriff "Gerät" bezieht sich auf netzbetriebene Geräte (mit Netzkabel) und auf akkubetriebene Geräte (ohne Netzkabel). BEWAHREN SIE DIESE ANWEISUNGEN AUF.

1. Arbeitsbereich

- a. **Halten Sie Ihren Arbeitsbereich sauber und gut ausgeleuchtet.** Unordnung und dunkle Arbeitsbereiche können zu Unfällen führen.
- b. **Arbeiten Sie mit Geräten nicht in explosionsgefährdeter Umgebung, in der sich brennbare Flüssigkeiten, Gase oder Stäube befinden.** Geräte erzeugen Funken, die den Staub oder die Dämpfe entzünden können.
- c. **Halten Sie Kinder und andere Personen während der Benutzung des Gerätes fern.** Bei Ablenkung können Sie die Kontrolle verlieren.

2. Elektrische Sicherheit

- a. **Der Anschlussstecker des Gerätes muß in die Steckdose passen. Der Stecker darf in keiner Weise verändert werden. Verwenden Sie keine Adapterstecker gemeinsam mit schutzgeerdeten Geräten.** Unveränderte Stecker und passende Steckdosen verringern das Risiko eines elektrischen Schlages.
- b. **Vermeiden Sie Körperkontakt mit geerdeten Oberflächen von Rohren, Heizungen, Herden und Kühlschränken.** Es besteht ein erhöhtes Risiko eines elektrischen Schlags, wenn Ihr Körper geerdet ist.
- c. **Halten Sie Geräte von Regen und Nässe fern.** Das Eindringen von Wasser in ein Gerät erhöht das Risiko eines elektrischen Schlages.
- d. **Missbrauchen Sie nicht das Kabel. Verwenden Sie das Kabel niemals zum Tragen, Ziehen oder Trennen des Gerätes vom Netz. Halten Sie das Kabel fern von Hitze, Öl, scharfen Kanten oder sich bewegenden Teilen.** Beschädigte oder verwickelte Kabel erhöhen das Risiko eines elektrischen Schlages.
- e. **Wenn Sie mit einem Gerät im Freien arbeiten, verwenden Sie nur Verlängerungskabel, die auch für den Außenbereich zugelassen sind.** Die Verwendung eines für den Außenbereich geeigneten Verlängerungskabels verringert das Risiko eines elektrischen Schlages.

3. Sicherheit von Personen

- a. **Seien Sie aufmerksam, achten Sie darauf, was Sie tun, und gehen Sie vernünftig mit einem Gerät um. Benutzen Sie das Gerät nicht, wenn Sie müde sind oder unter dem Einfluss von Drogen, Alkohol oder Medikamenten stehen.** Ein Moment der Unachtsamkeit beim Gebrauch von Geräten kann zu ernsthaften Verletzungen führen.
 - b. **Verwenden Sie Schutzausrüstung. Tragen Sie stets einen Augenschutz.** Schutzausrüstung wie Staubmaske, rutschfeste Sicherheitsschuhe, Schutzhelm oder Gehörschutz, je nach Art und Einsatz des Gerätes, verringert das Risiko von Verletzungen.
 - c. **Vermeiden Sie eine unbeabsichtigte Inbetriebnahme. Stellen Sie sicher, daß sich der Schalter in der Aus-Stellung befindet, bevor das Gerät mit dem Netz verbunden wird.** Durch das Tragen des Gerätes mit dem Finger am Schalter oder durch das Verbinden eingeschalteter Geräte werden Unfälle provoziert.
 - d. **Entfernen Sie Einstell- oder Schraubenschlüssel, bevor Sie das Gerät einschalten.** Ein Schlüssel, der sich in einem sich drehenden Teil befindet, kann zu Verletzungen führen.
 - e. **Nicht zu weit nach vorne strecken! Sorgen Sie für sicheren Stand und halten Sie jederzeit das Gleichgewicht.** Dadurch können Sie das Gerät in unerwarteten Situationen besser unter Kontrolle halten.
 - f. **Tragen Sie geeignete Kleidung. Tragen Sie keine weite Kleidung oder Schmuck. Halten Sie Haare, Kleidung und Handschuhe fern von sich bewegenden Teilen.** Lockere Kleidung, Schmuck oder lange Haare können von sich bewegenden Teilen erfaßt werden.
 - g. **Falls Staubabsaug- und -fangvorrichtungen vorhanden sind, vergewissern Sie sich, daß diese angeschlossen sind und richtig verwendet werden.** Das Verwenden dieser Einrichtungen verringert Gefährdungen durch Staub.
- ### 4. Gebrauch und Pflege von Geräten
- a. **Überlasten Sie das Gerät nicht. Verwenden Sie für Ihre Arbeit das dafür bestimmte Gerät.** Mit dem passenden Gerät arbeiten Sie besser und sicherer im angegebenen Leistungsbereich.
 - b. **Benutzen Sie kein Gerät, dessen Schalter defekt ist.** Ein Gerät, das sich nicht mehr ein- oder ausschalten lässt, ist gefährlich und muß repariert werden.
 - c. **Ziehen Sie den Stecker aus der Steckdose, bevor Sie Einstellungen vornehmen, Zubehörteile wechseln oder das Gerät weglegen.** Diese Vorsichtsmaßnahme verhindert den unbeabsichtigten Start des Gerätes.

- d. **Bewahren Sie unbenutzte Geräte außerhalb der Reichweite von Kindern auf. Lassen Sie Geräte nicht von Personen benutzen, die damit nicht vertraut sind oder diese Anweisungen nicht gelesen haben.**

Geräte sind gefährlich, wenn Sie von unerfahrenen Personen benutzt werden.

- e. **Halten Sie Geräte in einem einwandfreien Zustand. Kontrollieren Sie, ob bewegliche Teile falsch ausgerichtet sind oder klemmen und ob Teile gebrochen oder so beschädigt sind, daß die Funktion des Gerätes beeinträchtigt ist. Lassen Sie beschädigte Geräte vor dem Gebrauch reparieren.**

Viele Unfälle haben ihre Ursache in schlecht gewarteten Geräten.

- f. **Halten Sie Schneidgeräte scharf und sauber.**

Sorgfältig gepflegte Schneidgeräte mit scharfen Schneidkanten verklemmen sich weniger und sind leichter zu führen.

- g. **Verwenden Sie Gerät, Zubehör, Einsatz-Bits, usw. entsprechend diesen Anweisungen und so, wie es für diesen speziellen Gerätetyp vorgeschrieben ist. Berücksichtigen Sie dabei die Arbeitsbedingungen und die auszuführende Arbeit.**

Der Gebrauch von Geräten für andere als die vorgesehenen Anwendungen kann zu gefährlichen Situationen führen.

5. Service

- a. **Lassen Sie Ihr Gerät nur von qualifiziertem Fachpersonal und nur mit Original-Ersatzteilen reparieren.** Damit wird gewährleistet, daß die Sicherheit des Gerätes erhalten bleibt.

Zusätzliche Sicherheitshinweise für Schleifgeräte

- ◆ **Achtung!** Ein Kontakt mit Stäuben oder das Einatmen von Stäuben, die durch den Schleifvorgang entstehen, kann die Gesundheit des Bedieners und eventueller anderer Personen in der Nähe des Geräts gefährden. Tragen Sie zum Schutz vor Stäuben und Dämpfen eine Staubmaske, und stellen Sie sicher, daß auch andere Personen geschützt sind, die den Arbeitsplatz betreten oder sich darin aufhalten.
- ◆ Entfernen Sie nach dem Schleifen sorgfältig alle Staubreste.
- ◆ Treffen Sie beim Schleifen von möglicherweise bleihaltiger Farbe oder von bestimmten Holz- und Metallarten, die giftigen Staub bilden können, besondere Maßnahmen:
 - Verhindern Sie, daß Kinder oder Schwangere den Arbeitsplatz betreten.
 - Essen, trinken und rauchen Sie nicht am Arbeitsplatz.
 - Entsorgen Sie Staubteilchen und andere Schleifabfälle auf sachgerechte Weise.

Elektrische Sicherheit



Dieses Gerät ist schutzisoliert, daher ist keine Erdleitung erforderlich. Überprüfen Sie immer, ob die Netzspannung der auf dem Typenschild des Geräts angegebenen Spannung entspricht.

Merkmale

1. Ein-/Aus-Schalter
2. Ausschaltsperr
3. Drehzahlvorwahlknopf
4. Einstellbarer Handgriff
5. Spannhebel
6. Abnehmbare Haube
7. Zentrierknopf
8. Staubabsauganschluß

Montage

Achtung! Vergewissern Sie sich vor der Montage, daß das Gerät ausgeschaltet ist und daß der Netzstecker gezogen wurde.

Anbringen eines Schleifbandes (Abb. A)

Achtung! Verwenden Sie das Gerät niemals ohne Schleifband.

- ◆ Drücken Sie den Spannhebel (5) nach außen, um das Schleifband (9) zu lösen.
- ◆ Entfernen Sie das alte Schleifband.
- ◆ Legen Sie ein neues Schleifband auf die Rollen. Stellen Sie sicher, daß der Pfeil auf dem Schleifband in dieselbe Richtung zeigt wie der Pfeil auf dem Gerät.
- ◆ Drücken Sie den Spannhebel (5) nach innen, um das Schleifband zu spannen.

Einstellung der Schleifbandspur (Abb. B)

Um die richtige Spur sicherzustellen, muß das Schleifband auf den Rollen zentriert werden.

- ◆ Schalten Sie das Gerät ein, während Sie es umgekehrt halten.
- ◆ Drehen Sie den Zentrierknopf (7) wie erforderlich, bis die Bandspur auf den Rollen zentriert ist.

Einstellen des Handgriffs (Abb. C)

Der Handgriff ist auf 3 Positionen einstellbar.

- ◆ Entriegeln Sie den Handgriff (4), indem Sie den Sicherungsgriff (10) nach außen ziehen.
- ◆ Stellen Sie den Handgriff auf die gewünschte Position ein.
- ◆ Verriegeln Sie den Handgriff durch Drücken des Sicherungsgriffes nach innen.

Zurückziehen der Haube (Abb. D)

Die Haube kann zum Schleifen an schwer erreichbaren Stellen zurückgezogen werden.

Achtung! Die Haube kann nur zurückgezogen werden, wenn der sich der einstellbare Handgriff in der oberen Stellung befindet.

- ◆ Stellen Sie den Handgriff (4) in die aufrechte Stellung.
- ◆ Heben Sie die Haube (6) an.
- ◆ Um die Haube zu schließen, ziehen Sie die Lasche (11) zuerst zur Seite.

Anbringen und Entfernen der Staubkassette (Abb. E)

- ◆ Schieben Sie die Staubkassette (12) über den Staubabsaugauslaß (8).
- ◆ Um die Staubkassette zu entfernen, schieben Sie sie vom Auslaß herunter.

Anschließen eines Staubsaugers (Abb. F)

- ◆ Schieben Sie den Adaptor (13) auf den Staubabsaugauslaß (8).
- ◆ Schließen Sie den Staubsaugerschlauch am Adapter an.

Gebrauch

Achtung! Beschleunigen Sie den Arbeitsvorgang nicht mit Gewalt. Vermeiden Sie eine Überlastung des Gerätes.

Geschwindigkeitsvorwahl

Die Geschwindigkeitsvorwahl erlaubt eine Anpassung der Motordrehzahl an das zu bearbeitende Material.

- ◆ Stellen Sie den Regler (3) auf den gewünschten Wert ein. Verwenden Sie für Holz eine hohe Geschwindigkeit, für Furnierholz und Kunststoffe eine mittlere Geschwindigkeit, und für Nichteisenmetalle sowie zum Entfernen von Farbe eine niedrige Geschwindigkeit.

Ein- und Ausschalten

- ◆ Um das Gerät einzuschalten, drücken Sie auf den Ein-/Ausschalter (1).
- ◆ Drücken Sie für Dauerbetrieb auf die Ausschaltsperrle (2). Sie können nun den Ein-/Ausschalter loslassen.
- ◆ Zum Ausschalten des Geräts lassen Sie den Ein-/Ausschalter los. Zum Ausschalten im Dauerbetrieb drücken Sie erneut auf den Ein-/Ausschalter und lassen Sie ihn wieder los.

Entleeren der Staubkassette (Abb. E & G)

Die Staubkassette sollte während des Betriebs alle 10 Minuten entleert werden.

- ◆ Ziehen Sie die Staubkassette (12) nach hinten und vom Gerät ab.

- ◆ Entfernen Sie die Abdeckung (14) durch Drehen im Uhrzeigersinn.
- ◆ Halten Sie die Staubkassette mit dem Filter (15) nach unten weisend, und schütteln Sie die Kassette, um sie zu entleeren. Schütteln Sie die Abdeckung, um sie zu entleeren.
- ◆ Bringen Sie die Abdeckung (14) wieder auf der Staubkassette an, indem Sie sie gegen den Uhrzeigersinn drehen, bis sie in ihrer Lage einrastet.
- ◆ Bringen Sie die Staubkassette wieder am Gerät an.

Reinigen des Staubkassettenfilters

Der Staubkassettenfilter ist wiederverwertbar und sollte regelmäßig gereinigt werden.

- ◆ Entleeren Sie die Staubkassette (12) wie oben beschrieben.
- ◆ Ziehen Sie den Filter (15) von der Staubkassette herunter.

Achtung! Der Filter nicht verdrehen.

- ◆ Schütteln Sie den Staub ab, indem Sie den Filter in einem Abfalleimer ausklopfen.

Achtung! Den Filter nicht abbürsten, nicht mit Druckluft reinigen und keine scharfen Gegenstände verwenden. Der Filter nicht waschen.

- ◆ Setzen Sie den Filter wieder ein.
- ◆ Bringen Sie die Abdeckung wieder an.
- ◆ Bringen Sie die Staubkassette wieder am Gerät an.

Hinweise für optimale Arbeitsergebnisse

- ◆ Halten Sie das Gerät immer mit beiden Händen.
- ◆ Üben Sie keinen zu großen Druck auf das Gerät aus.
- ◆ Überprüfen Sie regelmäßig den Zustand des Schleifbandes. Tauschen Sie es bei Bedarf aus.
- ◆ Schleifen Sie immer in Richtung der Holzmaserung.
- ◆ Zum Schleifen frischer Farbschichten vor dem Auftragen weiterer Schichten verwenden Sie sehr feines Schleifpapier.
- ◆ Auf sehr unebenen Oberflächen sowie zum Entfernen alter Farbschichten verwenden Sie zunächst grobes Schleifpapier. Auf anderen Oberflächen verwenden Sie zunächst mittelgrobes Schleifpapier. In beiden Fällen wechseln Sie nach einiger Zeit auf feines Schleifpapier, damit Sie eine sehr glatte Oberfläche erhalten.
- ◆ Wenden Sie sich für weitere Informationen über Zubehör an Ihren Händler.

Umweltschutz



Getrennte Entsorgung. Dieses Produkt darf nicht über den normalen Hausmüll entsorgt werden.

Sollte Ihr Black & Decker Produkt eines Tages erneuert werden müssen, oder falls Sie es nicht weiter verwenden wollen, so darf es nicht über den Hausmüll entsorgt werden. Stellen Sie dieses Produkt zur getrennten Entsorgung bereit.



Durch die getrennte Entsorgung gebrauchter Produkte und Verpackungen können die Materialien recycelt und wiederverwertet werden. Die Wiederverwertung recycelter Materialien schont die Umwelt und verringert die Nachfrage nach Rohstoffen.

Die regionalen Bestimmungen schreiben unter Umständen die getrennte Entsorgung elektrischer Produkte aus dem Haushalt an Sammelstellen oder seitens des Händlers vor, bei dem Sie das neue Produkt erworben haben.

Black & Decker nimmt Ihre ausgedienten Black & Decker Geräte gern zurück und sorgt für eine umweltfreundliche Entsorgung und Wiederverwertung. Um diesen Dienst zu nutzen, schicken Sie bitte Ihr Produkt zu einer Vertragswerkstatt. Hier wird es dann auf unsere Kosten gesammelt.

Die Adresse der zuständigen Black & Decker Vertretung steht in diesem Handbuch, darüber läßt sich die nächstgelegene Vertragswerkstatt ermitteln. Außerdem ist eine Liste der Vertragswerkstätten und aller Kundendienststellen von Black & Decker sowie der zuständigen Ansprechpartner im Internet zu finden unter: **www.2helpU.com**

Technische Daten

		XTA80EK
Spannung	V_{AC}	230
Leistungsaufnahme	W	750
Bandgeschwindigkeit	m/min	120 - 250
Schleifplatte	mm	75 x 533
Gewicht	kg	3,7

EG-Konformitätserklärung

XTA80EK

Black & Decker erklärt, daß diese Produkte folgende Konformität erfüllen:

98/37/EWG, 89/336/EWG, 2002/95/EWG, EN 60745, EN 55014, EN 61000

L_{pA} (Schalldruck) 87 dB(A),

L_{WA} (Schalleistung) 98 dB(A),

gewichtete Hand-/Armvibrationen 3,8 m/s²

K_{pA} (Schalldruck-Unsicherheitsfaktor) 3 dB(A),

K_{WA} (Schalleistungs-Unsicherheitsfaktor) 3 dB(A)

Kevin Hewitt
Director of Consumer Engineering
Spennymoor, County Durham DL16 6JG,
Vereinigtes Königreich

1-5-2006

Garantie

Black & Decker vertraut auf die Qualität der eigenen Werkzeuge und bietet dem Käufer eine außergewöhnliche Garantie. Diese Garantiezusage versteht sich unbeschadet der gesetzlichen Gewährleistungsansprüche und schränkt diese keinesfalls ein. Sie gilt in sämtlichen Mitgliedsstaaten der Europäischen Union und der Europäischen Freihandelszone EFTA.



Falls sich ein Black & Decker XT Produkt (hierzu zählen nicht: Zubehör, Vorsatzgeräte, Batterien, Ladegeräte und Spannfutter) aufgrund von Materialfehlern, der Verarbeitung oder nicht konformer Ausführung innerhalb von 3 Jahren ab dem Kaufdatum als fehlerhaft herausstellt, so garantiert Black & Decker, sämtliche defekten Teile zu erneuern, Produkte, die normalem Verschleiß ausgesetzt waren, zu reparieren oder solche Produkte zu erneuern, vorausgesetzt, daß das Produkt innerhalb von 90 Tagen ab Kaufdatum auf der Black & Decker XT Garantie-Webseite registriert wurde. Wird das Produkt nicht registriert, so gilt nur die Standardgarantie (2 Jahre).

Die Garantie erlischt, falls:

- das Werkzeug gewerblich, beruflich oder im Verleihgeschäft benutzt wurde;
- das Werkzeug mißbräuchlich verwendet oder mit mangelnder Sorgfalt behandelt wurde;
- das Werkzeug durch irgendwelche Fremdeinwirkung beschädigt wurde;
- Reparaturen von hierzu unberechtigten Personen durchgeführt wurden;
- das Produkt dahingehend verändert wurde, daß die ursprünglichen Spezifikationen nicht mehr gültig sind;
- ungeeignetes Zubehör oder ungeeignete Vorsatzgeräte verwendet wurden.

Die verlängerte Garantie erlischt, falls:

- Kaufbeleg und Original-Garantiezerifikat für die verlängerte Garantie nicht vorgelegt werden.

Lassen Sie Ihr Produkt jetzt online registrieren unter www.blackanddecker.de/xt, um die verlängerte Garantie (3 Jahre) in Anspruch nehmen zu können und um über neue Produkte und Sonderangebote auf dem Laufenden gehalten zu werden.

DEUTSCH

Zur Inanspruchnahme dieser Garantie ist dem Verkäufer bzw. der Vertragswerkstatt ein Kaufnachweis vorzulegen. Die Adresse der zuständigen Black & Decker Vertretung steht in diesem Handbuch, darüber läßt sich die nächstgelegene Vertragswerkstatt ermitteln. Außerdem ist eine Liste der Vertragswerkstätten und aller Kundendienststellen von Black & Decker sowie der zuständigen Ansprechpartner im Internet zu finden unter:

www.2helpU.com

Weitere Informationen über die Marke Black & Decker und unsere Produkte finden Sie unter folgender Adresse:

www.blackanddecker.de

Utilisation prévue

Votre ponceuse Black & Decker a été spécialement conçue pour poncer le bois, le métal, le plastique et les surfaces peintes. Cet outil a été conçu pour une utilisation exclusivement domestique.

Consignes générales de sécurité

Attention ! Lisez toutes les instructions. Le non-respect des instructions indiquées ci-dessous peut entraîner une électrocution, un incendie et/ou de graves blessures. La notion d'« outil électroportatif » mentionnée par la suite se rapporte à des outils électriques raccordés au secteur (avec câble de raccordement) ou fonctionnant sur piles (sans fil).
GARDEZ PRÉCIEUSEMENT CES CONSIGNES DE SECURITE.

1. Aire de travail

- a. **Maintenez la zone de travail propre et bien éclairée.**
Un lieu de travail en désordre ou mal éclairé augmente le risque d'accidents.
- b. **N'utilisez pas les outils électroportatifs dans un environnement présentant des risques d'explosion ni en présence de liquides, gaz ou poussières inflammables.** Les outils électroportatifs génèrent des étincelles risquant d'enflammer les poussières ou les vapeurs.
- c. **Tenez les enfants et autres personnes éloignés durant l'utilisation de l'outil électroportatif.** En cas d'inattention, vous risquez de perdre le contrôle sur l'appareil.

2. Sécurité électrique

- a. **La fiche de secteur de l'outil électroportatif doit convenir à la prise de courant. Ne modifiez en aucun cas la fiche. N'utilisez pas de fiches d'adaptateur avec des appareils ayant une prise de terre.**
Les fiches non modifiées et les prises de courant appropriées réduisent le risque de choc électrique.
- b. **Évitez le contact physique avec des surfaces mises à la terre telles que tuyaux, radiateurs, fours et réfrigérateurs.** Il y a un risque élevé de choc électrique si votre corps est relié à la terre.
- c. **N'exposez pas l'outil électroportatif à la pluie ni à l'humidité.** La pénétration d'eau dans un outil électroportatif augmente le risque de choc électrique.
- d. **Préservez le câble d'alimentation. N'utilisez pas le câble à d'autres fins que celles prévues, n'utilisez pas le câble pour porter l'outil, pour l'accrocher ou encore pour le débrancher de la prise de courant. Maintenez le câble éloigné des sources de chaleur, des parties grasses, des bords tranchants ou des parties de l'appareil en rotation.** Un câble endommagé ou enchevêtré augmente le risque de choc électrique.

- e. **Si vous utilisez l'outil électroportatif à l'extérieur, utilisez une rallonge homologuée pour utilisation à l'air libre.** L'utilisation d'une rallonge électrique homologuée pour les applications extérieures réduit le risque de choc électrique.

3. Sécurité personnelle

- a. **Restez vigilant, surveillez ce que vous faites. Faites preuve de bon sens quand vous utilisez l'outil électroportatif. N'utilisez pas l'outil lorsque vous êtes fatigué ou après avoir consommé de l'alcool, des drogues ou avoir pris des médicaments.**
Un moment d'inattention lors de l'utilisation de l'outil peut entraîner de graves blessures.
 - b. **Portez des équipements de protection. Portez toujours des lunettes de protection.** Le port d'équipements de protection personnelle tels que masque anti-poussières, chaussures de sécurité antidérapantes, casque ou protection auditive, selon le travail à effectuer, réduit le risque de blessures.
 - c. **Évitez une mise en route accidentelle. Avant de brancher l'appareil, vérifiez que l'interrupteur est sur la position arrêt.** Le transport ou le branchement d'outils électroportatifs avec l'interrupteur en position marche est une invite à l'accident.
 - d. **Enlevez tout outil ou clé de réglage avant de mettre l'appareil en marche.** Une clé ou un outil se trouvant sur une partie en rotation peut causer des blessures.
 - e. **Adoptez une position confortable. Adoptez une position stable et gardez votre équilibre à tout moment.** Vous contrôlerez mieux l'outil dans des situations inattendues.
 - f. **Portez des vêtements appropriés. Ne pas porter de vêtements flottants ou de bijoux. N'approchez pas les cheveux, vêtements ou gants des parties de l'appareil en rotation.** Les vêtements amples, les bijoux ou les cheveux longs peuvent être attrapés dans les pièces en mouvement.
 - g. **Si des dispositifs servant à aspirer ou à recueillir les poussières doivent être utilisés, vérifiez qu'ils sont correctement raccordés et utilisés.** L'utilisation de tels dispositifs réduit les dangers dus aux poussières.
- ### 4. Utilisation des outils électroportatifs et précautions
- a. **Ne surchargez pas l'outil. Utilisez l'outil électroportatif approprié pour le travail à effectuer.** Avec l'outil électroportatif approprié, vous travaillerez mieux et avec plus de sécurité à la vitesse pour laquelle il a été conçu.
 - b. **N'utilisez pas un outil électroportatif dont l'interrupteur est défectueux.** Un outil électroportatif qui ne peut plus être mis en ou hors fonctionnement est dangereux et doit être réparé.

- c. Retirez la fiche de la prise de courant avant d'effectuer des réglages sur l'outil, de changer les accessoires ou de ranger l'appareil.** Cette mesure de précaution empêche une mise en marche par mégarde.
- d. Rangez les outils électroportatifs hors de portée des enfants. Ne laissez pas les personnes n'étant pas familiarisées avec l'outil ou n'ayant pas lu ces instructions l'utiliser.** Les outils électroportatifs sont dangereux lorsqu'ils sont utilisés par des personnes non initiées.
- e. Prenez soin des outils électroportatifs. Vérifiez que les parties en mouvement fonctionnent correctement et qu'elles ne sont pas coincées ; vérifiez qu'il n'y a pas de pièces cassées ou endommagées susceptibles de nuire au bon fonctionnement de l'outil. S'il est endommagé, faites réparer l'outil avant de l'utiliser.**
- De nombreux accidents sont dus à des outils électroportatifs mal entretenus.
- f. Maintenez les outils de coupe aiguisés et propres.** Des outils soigneusement entretenus avec des bords tranchants bien aiguisés se coincent moins souvent et peuvent être guidés plus facilement.
- g. Utilisez les outils électroportatifs, les accessoires, les outils à monter etc. conformément à ces instructions et aux prescriptions en vigueur pour ce type d'outils. Tenez compte également des conditions de travail et du travail à effectuer.**

L'utilisation des outils électroportatifs à d'autres fins que celles prévues peut entraîner des situations dangereuses.

5. Réparations

- a. Faites réparer votre outil électroportatif uniquement par du personnel qualifié et seulement avec des pièces de rechange d'origine.** Cela garantira le maintien de la sécurité de votre outil.

Instructions de sécurité supplémentaires pour ponceuses

- ◆ **Attention !** L'inhalation ou le contact avec des poussières de sciure peuvent mettre en péril la santé de l'utilisateur et des personnes à proximité. Portez un masque contre la poussière spécialement conçu pour vous protéger des sciures et des fumées toxiques et veillez à ce que les personnes se trouvant à l'intérieur de la zone de travail ou y pénétrant soient également protégées.
- ◆ Enlevez soigneusement toute poussière après le ponçage.
- ◆ Faites spécialement attention lorsque vous poncez de la peinture pouvant être à base de plomb ou lorsque vous poncez des bois et des métaux pouvant produire de la poussière toxique.
 - Ne laissez pas les enfants ou les femmes enceintes entrer dans la zone de travail.

- Ne mangez pas, ne buvez pas ou ne fumez pas dans la zone de travail.
- Nettoyez l'outil de toutes particules de poussière et autre débris.

Sécurité électrique



L'outil est doublement isolé ; par conséquent, aucun câble de masse n'est nécessaire. Vérifiez si le voltage mentionné sur la plaque signalétique de la machine correspond bien à la tension de réseau présente sur lieu.

Caractéristiques

1. Interrupteur marche/arrêt
2. Bouton de verrouillage
3. Bouton de contrôle de vitesse variable
4. Poignée réglable
5. Levier de serrage
6. Capot rétractable
7. Bouton de centrage
8. Orifice d'évacuation de la poussière

Assemblage

Attention ! Avant l'assemblage, assurez-vous que l'outil est éteint et débranché.

Montage d'une bande de ponçage (fig. A)

Attention ! N'utilisez jamais l'outil sans bande de ponçage.

- ◆ Tirez le levier de serrage (5) vers l'extérieur pour relâcher la tension sur la bande de ponçage (9).
- ◆ Retirez la bande de ponçage usée.
- ◆ Placez une bande de ponçage neuve sur les galets. Assurez-vous que la flèche sur la bande de ponçage pointe dans le même sens que la flèche sur l'outil.
- ◆ Poussez le levier de serrage (5) vers l'intérieur pour tendre la bande de ponçage.

Réglage du guidage de la bande de ponçage (fig. B)

Pour assurer un réglage correct, la bande de ponçage doit être centrée sur les galets.

- ◆ Mettez l'outil en marche tout en le tenant retourné.
- ◆ Tournez le bouton de centrage (7) selon les besoins afin que le guidage de la bande soit centré sur les galets.

Réglage de la poignée (fig. C)

La poignée est réglable sur 3 positions.

- ◆ Débloquez la poignée (4) en tirant la poignée de blocage (10) vers l'extérieur.
- ◆ Réglez la poignée sur la position voulue.
- ◆ Bloquez la poignée en poussant la poignée de blocage vers l'intérieur.

Retrait du capot (fig. D)

Le capot peut être rétracté pour poncer dans les espaces confinés.

Attention ! Le capot est rétractable uniquement lorsque la poignée réglable est en position relevée.

- ◆ Relevez la poignée (4).
- ◆ Levez le capot (6).
- ◆ Pour fermer le capot, tirez tout d'abord la languette (11) latéralement.

Installation et démontage de la cassette à poussières (fig. E)

- ◆ Glissez la cassette à poussière (12) sur l'orifice d'aspiration de la poussière (8).
- ◆ Pour retirer la cassette à poussière, glissez-la hors de l'orifice.

Branchement de l'aspirateur (fig. F)

- ◆ Glissez l'adaptateur (13) sur l'orifice d'aspiration de la poussière (8).
- ◆ Branchez le tuyau de l'aspirateur à l'adaptateur.

Utilisation

Attention ! Laissez l'outil fonctionner à sa propre vitesse. Ne le surchargez pas.

Variateur de vitesse

Le contrôle de la vitesse variable vous permet d'adapter la vitesse de l'outil au matériau de la pièce sur laquelle vous travaillez.

- ◆ Ajustez la vitesse souhaitée à l'aide du bouton de commande (3). Utilisez une vitesse rapide pour le bois, une vitesse moyenne pour le bois contre-plaqué et les matières synthétiques, et une vitesse faible pour les métaux non ferreux et pour enlever de la peinture.

Démarrage et arrêt

- ◆ Pour allumer l'outil, appuyez sur l'interrupteur marche/arrêt (1).
- ◆ Pour un fonctionnement en continu, appuyez sur le bouton de verrouillage (2) et relâchez l'interrupteur marche/arrêt.
- ◆ Pour stopper l'outil, relâchez le bouton marche/arrêt (1). Pour éteindre l'outil lorsqu'il est en fonctionnement continu, appuyez sur l'interrupteur marche/arrêt une fois de plus et relâchez-le.

Comment vider la cassette à poussières (fig. E & G)

La cassette à poussières doit être vidée toutes les 10 minutes.

- ◆ Tirez la cassette à poussières (12) vers l'arrière et extrayez-la de l'outil.

- ◆ Retirez le couvercle (14) en le faisant tourner dans le sens horaire.
- ◆ Tenez la cassette à poussières avec le filtre (15) dirigé vers le bas et secouez-la pour la vider. Secouez le couvercle pour le vider.
- ◆ Remplacez le couvercle (14) sur la cassette à poussières, en le faisant tourner dans le sens anti-horaire pour l'enclencher.
- ◆ Remplacez la cassette à poussières sur l'outil.

Nettoyage du filtre de la cassette à poussières

Le filtre de la cassette à poussières est réutilisable et doit être nettoyé régulièrement.

- ◆ Videz la cassette à poussières (12) comme décrit ci-dessus.
- ◆ Tirez le filtre (15) hors de la cassette à poussières.

Attention ! Ne tordez pas le filtre.

- ◆ Époussetez le filtre en le tapotant contre la poubelle.

Attention ! Ne nettoyez pas le filtre avec une brosse, de l'air comprimé ou des objets coupants. Ne lavez pas le filtre.

- ◆ Remplacez le filtre.
- ◆ Remettez le couvercle.
- ◆ Remplacez la cassette à poussières sur l'outil.

Conseils pour une utilisation optimale

- ◆ Tenez toujours l'outil avec les deux mains.
- ◆ N'exercez pas trop de pression sur l'outil.
- ◆ Vérifiez régulièrement l'état de la courroie de ponçage. Remplacez-la lorsque cela est nécessaire.
- ◆ Poncez toujours avec le grain correspondant au bois.
- ◆ Lorsque vous poncez de nouvelles couches de peinture avant d'en appliquer une autre, utilisez un abrasif extra fin.
- ◆ Pour les surfaces irrégulières ou lorsque vous enlevez des couches de peinture, commencez par un abrasif à gros grains. Sur d'autres surfaces, commencez avec un abrasif moyen. Dans les deux cas, changez graduellement et passez à un abrasif fin pour une finition douce.
- ◆ Renseignez-vous chez votre revendeur pour plus d'informations sur les accessoires disponibles.

Entretien

Votre outil a été conçu pour fonctionner pendant longtemps avec un minimum d'entretien. Un fonctionnement continu satisfaisant dépend d'un nettoyage régulier et d'un entretien approprié de l'outil.

- ◆ Nettoyez régulièrement les orifices de ventilation de votre outil à l'aide d'une brosse douce ou d'un chiffon sec.
- ◆ Nettoyez régulièrement le compartiment du moteur à l'aide d'un chiffon humide. N'utilisez pas de produit abrasif ou à base de solvant.

Protection de l'environnement



Collecte séparée. Ce produit ne doit pas être jeté avec les déchets domestiques normaux.

Si vous décidez de remplacer ce produit Black & Decker, ou si vous n'en avez plus l'utilité, ne le jetez pas avec vos déchets domestiques. Rendez-le disponible pour une collecte séparée.



La collecte séparée des produits et emballages usés permet le recyclage des articles afin de les utiliser à nouveau. Le fait d'utiliser à nouveau des produits recyclés permet d'éviter la pollution environnementale et de réduire la demande de matières premières.

Les réglementations locales peuvent permettre la collecte séparée des produits électriques du foyer, dans des déchetteries municipales ou auprès du revendeur vous ayant vendu votre nouveau produit.

Black & Decker fournit un dispositif permettant de collecter et de recycler les produits Black & Decker lorsqu'ils ont atteint la fin de leur cycle de vie. Pour pouvoir profiter de ce service, veuillez retourner votre produit à un réparateur agréé qui se chargera de le collecter pour nous.

Pour connaître l'adresse du réparateur agréé le plus proche de chez vous, contactez le bureau Black & Decker à l'adresse indiquée dans ce manuel. Vous pourrez aussi trouver une liste des réparateurs agréés de Black & Decker et de plus amples détails sur notre service après-vente sur le site Internet à l'adresse suivante : www.2helpU.com

Caractéristiques techniques

		XTA80EK
Tension	V_{AC}	230
Puissance absorbée	W	750
Vitesse de la bande	m/min	120 - 250
Superficie de base de ponçage.	mm	75 x 533
Poids	kg	3,7

Déclaration de conformité CE

XTA80EK

Black & Decker déclare que ces produits sont conformes à : 98/37/CEE, 89/336/CEE, 2002/95/CEE, EN 60745, EN 55014, EN 61000

L_{pA} (pression sonore) 87 dB(A),

L_{WA} (puissance acoustique) 98 dB(A),

poinds de la vibration sur la main/bras 3,8 m/s^2

K_{pA} (incertitude de la pression acoustique) : 3 dB(A),

K_{WA} (incertitude de la puissance acoustique) 3 dB(A)

Kevin Hewitt
 Directeur Ingénierie Client
 Spennymoor, County Durham DL16 6JG,
 Royaume Uni
 1-5-2006

Garantie

Black & Decker est confiant dans la qualité de ses produits et vous offre une garantie très étendue. Ce certificat de garantie est un document supplémentaire et ne peut en aucun cas se substituer à vos droits légaux. La garantie est valable sur l'ensemble des territoires des États Membres de l'Union Européenne et de la Zone de Libre Echange Européenne.



Si un produit Black & Decker XT (sauf les accessoires, annexes, batteries, chargeurs et embouts) est défectueux en raison d'un défaut matériel, de main d'œuvre ou de conformité dans les 3 ans suivant son acquisition, Black & Decker garantie le remplacement des pièces défectueuses, répare tout produit sujet à une usure ou des dégâts normaux voire remplace le dit produit, dans la mesure où il est enregistré sur le site Internet de garantie Black & Decker XT dans les 90 jours suivant l'acquisition. Si le produit n'est pas enregistré, alors seule la garantie standard (2 ans) s'applique.

La garantie ne s'applique pas si :

- Le produit a été utilisé dans un but commercial, professionnel ou a été loué.
- Le produit a été mal utilisé ou avec négligence.
- Le produit a subi des dommages à cause d'objets étrangers, de substances ou à cause d'accidents.
- Une personne non qualifiée a tenté de réparer la machine.
- Le produit a subi une modification en regard de ses spécifications d'origine.
- Des accessoires ou annexes inappropriés ont été utilisés.

La garantie étendue ne s'applique pas si :

- ◆ Une preuve d'achat et le certificat de garantie étendue d'origine n'ont pas été produits.

Enregistrez dès à présent votre produit en ligne à www.blackanddecker.fr/xt afin de pouvoir bénéficier de la garantie étendue (3 ans) et recevoir des informations sur les nouveaux produits et les offres spéciales.

Pour avoir recours à la garantie, il est nécessaire de fournir une preuve d'achat au vendeur ou à un réparateur agréé. Pour connaître l'adresse du réparateur agréé le plus proche de chez vous, contactez le bureau Black & Decker à l'adresse indiquée dans ce manuel. Vous pourrez aussi trouver une liste des réparateurs agréés de Black & Decker et de plus amples détails sur notre service après-vente sur le site Internet à l'adresse suivante : **www.2helpU.com**

Pour plus d'informations concernant la marque Black & Decker et notre gamme de produits, consultez notre site **www.blackanddecker.fr**

Uso previsto

La levigatrice Black & Decker è stata progettata per levigare superfici in legno, metallo, plastica e verniciate. L'utensile è stato progettato per un uso individuale.

Norme generiche di sicurezza

Attenzione! Leggere tutte le istruzioni. La mancata osservazione delle presenti istruzioni potrebbe causare scosse elettriche, incendi e/o infortuni gravi. Il termine "elettroutensile" che ricorre in tutti le avvertenze seguenti si riferisce ad utensili elettrici con o senza filo.

CONSERVARE QUESTE ISTRUZIONI.

1. Area di lavoro

a. Mantenere pulita e bene illuminata l'area di lavoro.

Il disordine e la scarsa illuminazione possono causare incidenti.

b. Evitare d'impiegare gli elettroutensili in ambienti esposti al rischio di esplosione, ad esempio in presenza di liquidi, gas o polveri infiammabili.

Gli elettroutensili producono scintille che possono far infiammare la polvere o i fumi.

c. Mantenere lontani bambini ed astanti mentre si usa l'elettroutensile. Eventuali distrazioni possono comportare la perdita del controllo dell'utensile.

2. Sicurezza elettrica

a. La spina elettrica deve essere adatta alla presa. Evitare assolutamente di alterare la spina. Non impiegare spine adattatrici con utensili provvisti di messa a terra. L'uso di spine inalterate e delle prese corrispondenti riduce il rischio di scosse elettriche.

b. Evitare il contatto fisico con superfici collegate a terra, come tubi, radiatori, forni e frigoriferi: un corpo collegato a massa è esposto maggiormente al rischio di scosse elettriche.

c. Custodire gli elettroutensili al riparo dalla pioggia o dall'umidità. L'eventuale infiltrazione di acqua in un elettroutensile va ad aumentare il rischio di scosse elettriche.

d. Non esporre il cavo a sollecitazioni. Non usare il cavo per trasportare o trainare l'utensile e non tirarlo per estrarre la spina dalla presa di corrente. Mantenere il cavo al riparo dal calore, da bordi taglienti e/o da parti in movimento. I cavi danneggiati o aggrovigliati aumentano il rischio di scosse elettriche.

e. Se l'elettroutensile viene adoperato all'aperto, usare esclusivamente prolunghe omologate per l'impiego all'esterno. Un cavo adatto per uso esterno riduce il rischio di scosse elettriche.

3. Sicurezza delle persone

a. È importante concentrarsi su ciò che si sta facendo e maneggiare con giudizio l'elettroutensile. Non adoperare l'utensile se si è stanchi o sotto l'effetto di stupefacenti, alcol o medicinali: un attimo di distrazione può causare gravi infortuni personali.

b. Indossare sempre un equipaggiamento protettivo. Indossare sempre degli occhiali di sicurezza. Se si

avrà cura d'indossare l'equipaggiamento protettivo come necessario - ad esempio una maschera antipolvere, delle calzature antiscivolo, un casco o delle otoprotezioni - si riduce il rischio di infortuni.

c. Evitare l'accensione involontaria dell'utensile. Prima d'inserire la spina nella presa, controllare che l'interruttore sia su Off. Per non esporsi al rischio d'incidenti, non trasportare gli elettroutensili tenendo le dita sull'interruttore oppure, se sono collegati all'alimentazione, con l'interruttore di accensione su On.

d. Prima di accendere un elettroutensile, togliere eventuali chiavi o attrezzi di regolazione. Un utensile o una chiave inglese lasciati in un componente mobile dell'utensile potranno causare lesioni.

e. Non sporgersi. Mantenere sempre un buon equilibrio evitando posizioni malsicure. In questo modo è possibile controllare meglio l'utensile in situazioni inaspettate.

f. Vestirsi adeguatamente. Evitare di indossare indumenti larghi o gioielli. Tenere capelli, vestiti e guanti lontani da pezzi in movimento. Vestiti larghi, gioielli o capelli lunghi potranno impigliarsi nei componenti in movimento.

g. Se gli utensili sono provvisti di attacchi per la connessione di dispositivi di aspirazione o raccolta della polvere, assicurarsi che questi siano installati e utilizzati correttamente. L'impiego dei suddetti dispositivi diminuisce i rischi correlati alle polveri.

4. Uso e cura degli elettroutensili

a. Non sovraccaricare l'utensile. Usare l'elettroutensile adatto per il lavoro da eseguire.

Utilizzando l'elettroutensile adatto si potrà lavorare meglio e con maggiore sicurezza alla potenza nominale prevista.

b. Non utilizzare elettroutensili con interruttori difettosi.

Un elettroutensile che non può essere controllato mediante l'interruttore è pericoloso e deve essere riparato.

c. Estrarre la spina dalla presa di corrente prima di regolare l'utensile, di sostituire degli accessori o di riporre l'utensile. Queste precauzioni di sicurezza riducono le possibilità che l'utensile venga messo in funzione inavvertitamente.

d. Quando non vengono usati, gli elettroutensili vanno custoditi fuori della portata dei bambini.

Non consentire l'uso dell'utensile a persone inesperte o che non abbiano letto le presenti istruzioni, onde evitare pericoli.

- e. **Sottoporre gli elettro utensili alle procedure di manutenzione del caso. Verificare che le parti mobili siano bene allineate e non s'inceppino, che non ci siano componenti rotti e/o non sussistano altre condizioni che possano compromettere il funzionamento dell'utensile. Eventuali guasti vanno riparati prima dell'uso.** La scarsa manutenzione causa molti incidenti.
- f. **Mantenere affilati e puliti gli utensili da taglio.** Se sottoposti alla giusta manutenzione, gli utensili da taglio con taglienti affilati s'inceppano meno frequentemente e sono più facili da manovrare.
- g. **Utilizzare l'elettro utensile, gli accessori, le punte ecc. in conformità delle presenti istruzioni e secondo la specifica destinazione prevista, tenendo conto delle condizioni di lavoro e del lavoro da completare.** L'impiego degli elettro utensili per usi diversi da quelli consentiti può dar luogo a situazioni di pericolo.

5. Riparazioni

- a. **Fare riparare l'utensile solo ed esclusivamente da personale specializzato e solo impiegando pezzi di ricambio originali**, onde non alterare la sicurezza dell'utensile.

Ulteriori precauzioni di sicurezza per le levigatrici

- ◆ **Attenzione!** Il contatto o l'inalazione di polveri generate dalla levigazione può creare rischi per la salute dell'operatore e degli eventuali astanti. Indossare una mascherina antipolvere specifica per polveri e fumi e controllare che anche le persone presenti o in arrivo nell'area di lavoro siano adeguatamente protette.
- ◆ Dopo la levigazione, rimuovere tutta la polvere.
- ◆ Fate molta attenzione quando si levigano vernici che probabilmente contengono il piombo come componente di base o quando si levigano certi legni e metalli la cui polvere può essere tossica:
 - Vietare l'ingresso nell'area di lavoro a bambini o donne in gravidanza.
 - Non mangiare, bere o fumare nell'area di lavoro.
 - Eliminare la polvere e i rifiuti prendendo le necessarie misure di sicurezza.

Sicurezza elettrica



Il doppio isolamento di cui è provvisto l'utensile rende superfluo il filo di terra. Controllare sempre che l'alimentazione corrisponda alla tensione indicata sulla targhetta delle caratteristiche.

Caratteristiche

1. Interruttore acceso/spento
2. Tasto di bloccaggio
3. Manopola di regolazione velocità
4. Impugnatura regolabile
5. Leva tendinastro
6. Protezione retrattile
7. Pomello di centraggio
8. Uscita per estrazione polvere

Montaggio

Attenzione! Prima di montarlo assicuratevi che l'utensile sia spento e desinserito.

Inserimento del nastro di levigatura (fig. A)

Attenzione! Non utilizzare mai l'elettro utensile senza il nastro di levigatura.

- ◆ Tirare la leva tendinastro (5) verso l'esterno per rilasciare la tensione sul nastro (9).
- ◆ Estrarre il vecchio nastro di levigatura.
- ◆ Posizionare un nuovo nastro sui rulli. Verificare che la freccia sui punti del nastro di levigatura sia orientata nella stessa direzione rispetto a quella presente sull'elettro utensile.
- ◆ Premere la leva tendinastro (5) verso l'interno per tendere il nastro.

Regolazione dell'allineamento del nastro di levigatura (fig. B)

Per garantire un corretto allineamento, il nastro deve essere centrato sui rulli.

- ◆ Accendere l'elettro utensile tenendolo capovolto.
- ◆ Ruotare il pomello di centraggio (7) come necessario fino a centrare il nastro sui rulli.

Regolazione dell'impugnatura (fig. C)

L'impugnatura è regolabile in 3 posizioni.

- ◆ Sbloccare l'impugnatura (4) tirando il blocco (10) verso l'esterno.
- ◆ Regolare l'impugnatura sulla posizione desiderata.
- ◆ Bloccare la maniglia spingendo il blocco verso l'interno.

Ritirare la protezione (fig. D)

E' possibile ritirare la protezione per levigare in aree ristrette.

Attenzione! E' possibile ritirare la protezione solo quando l'impugnatura regolabile è in posizione sollevata.

- ◆ Regolare l'impugnatura (4) sulla posizione verticale.
- ◆ Sollevare la protezione (6).
- ◆ Per chiudere la protezione, prima tirare la linguetta (11) di lato.

Inserimento e rimozione della cassetta raccogli polvere (fig. E)

- ◆ Installare la cassetta raccogli polvere (12) inserendola sull'apertura per l'estrazione della polvere (8).
- ◆ Per togliere la cassetta raccogli polvere, estrarla dall'apertura.

Attacco di un aspirapolvere (fig. F)

- ◆ Installare l'adattatore (13) sull'uscita per l'estrazione della polvere (8).
- ◆ Collegare il flessibile dell'aspirapolvere all'adattatore.

Uso

Attenzione! Lasciare che l'utensile lavori al suo ritmo, senza sovraccaricarlo.

Comando per la regolazione della velocità

Il comando di velocità variabile consente di regolare la velocità dell'utensile in base al materiale lavorato.

- ◆ Regolare la manopola di comando (3) sulla posizione desiderata. Utilizzare l'alta velocità per il legno, la velocità media per compensato e fibre sintetiche, e la velocità lenta per i metalli non ferrosi e per rimuovere la vernice.

Avviamento e spegnimento

- ◆ Per accendere l'elettrodomestico, premere l'interruttore on/off (1).
- ◆ Per un funzionamento continuo, spingere il pulsante di blocco (2) e rilasciare l'interruttore on/off.
- ◆ Per spegnere l'utensile, rilasciare l'interruttore on/off. Per spegnere l'elettrodomestico in modalità di funzionamento continuo, premere ancora una volta e poi lasciare andare l'interruttore on/off.

Svuotamento della cassetta raccogli polvere (fig. E & G)

Durante l'uso, la cassetta raccogli polvere deve essere svuotata ogni 10 minuti.

- ◆ Tirare indietro la cassetta raccogli polvere (12) e rimuoverla dall'elettrodomestico.
- ◆ Togliere il coperchio (14) ruotandolo in senso orario.
- ◆ Mantenere la cassetta raccogli polvere con il filtro (15) rivolto verso il basso e scuoterla per svuotarla del contenuto. Scuotere il coperchio per svuotare il contenuto.
- ◆ Rimontare il coperchio (14) sulla cassetta raccogli polvere ruotandolo in senso antiorario finché non si blocca in posizione.
- ◆ Rialloggiare la cassetta raccogli polvere nell'elettrodomestico.

Pulizia del filtro della cassetta raccogli polvere

Il filtro della cassetta raccogli polvere è riutilizzabile e deve essere pulito regolarmente.

- ◆ Svuotare la cassetta raccogli polvere (12) come descritto precedentemente.
- ◆ Estrarre il filtro (15) dalla cassetta raccogli polvere.

Attenzione! Non torcere il filtro.

- ◆ Eliminare la polvere in eccesso battendo il filtro contro le pareti di una pattumiera.

Attenzione! Per pulire il filtro non usare né spazzole, né aria compressa, né oggetti taglienti. Non lavare il filtro.

- ◆ Reinstallare il filtro.
- ◆ Rimontare il coperchio.
- ◆ Rialloggiare la cassetta raccogli polvere nell'elettrodomestico.

Consigli per un'ottima utilizzazione

- ◆ Sostenere sempre l'elettrodomestico con entrambe le mani.
- ◆ Non esercitare pressione eccessiva sull'elettrodomestico.
- ◆ Verificare regolarmente lo stato del nastro di levigatura. Sostituirlo quando necessario.
- ◆ Levigare sempre usando una grana analoga a quella del legno.
- ◆ Quando si levigano strati di vernice nuova, adoperare carta a grana fine prima di applicare lo strato successivo di vernice.
- ◆ Su superfici rugose, o quando si rimuovono degli strati di vernice, iniziare a levigare con carta abrasiva a grana grossa. Su superfici di altro tipo, cominciare con una grana media. In entrambi i casi, per ottenere una rifinitura omogenea passare gradualmente a una grana sottile.
- ◆ Consultare il rivenditore per ulteriori informazioni sugli accessori disponibili.

Manutenzione

Questo elettrodomestico è stato progettato per funzionare a lungo con un minimo di manutenzione. Per ottenere prestazioni sempre soddisfacenti occorre avere cura dell'elettrodomestico e sottoporlo a manutenzione periodica.

- ◆ Le prese di ventilazione dell'elettrodomestico devono essere pulite regolarmente con un pennello morbido o un panno asciutto.
- ◆ Il vano del motore deve essere pulito regolarmente con un panno umido. Non usare materiali abrasivi o detersivi a base di solventi.

Protezione dell'ambiente



Raccolta differenziata. Questo prodotto non deve essere smaltito con i normali rifiuti domestici.

Nel caso in cui si decida di sostituire l'apparecchio oppure di disfarsene in quanto non più necessario, non dovrà essere smaltito con i normali rifiuti domestici. Smaltire il prodotto tramite raccolta differenziata.



La raccolta differenziata di prodotti e imballaggi usati, consente il riciclaggio e il riutilizzo dei materiali. Riutilizzare i materiali riciclati aiuta a prevenire l'inquinamento ambientale e riduce la richiesta di materie prime.

In base alle normative locali, i servizi per la raccolta differenziata di elettrodomestici possono essere disponibili presso i punti di raccolta municipali o presso il rivenditore, al momento dell'acquisto di un nuovo prodotto.

Black & Decker offre ai suoi clienti un servizio per la raccolta differenziata e la possibilità di riciclare i prodotti Black & Decker che hanno esaurito la loro durata in servizio. Per usufruire del servizio, è sufficiente restituire il prodotto a qualsiasi tecnico autorizzato, incaricato della raccolta per conto dell'azienda.

Per individuare il tecnico autorizzato più vicino, rivolgersi alla sede Black & Decker locale, presso il recapito indicato nel presente manuale. Altrimenti un elenco completo di tutti i tecnici autorizzati Black & Decker e i dettagli completi sui contatti e i servizi post-vendita sono disponibili sul sito Internet: **www.2helpU.com**

Dati tecnici

		XTA80EK
Tensione	V_{AC}	230
Potenza assorbita	W	750
Velocità del nastro	m/min	120 - 250
Superficie di base della levigatrice	mm	75 x 533
Peso	kg	3,7

Dichiarazione CE di Conformità

XTA80EK

Black & Decker dichiara che i presenti prodotti sono conformi a:

98/37/CEE, 89/336/CEE, 2002/95/CEE, EN 60745, EN 55014, EN 61000

L_{PA} (pressione sonora) 87 dB(A),

L_{WA} (potenza acustica) 98 dB(A),

vibrazione misurata su braccio/mano 3,8 m/s²

K_{PA} (incertezza sulla pressione sonora): 3 dB(A),

K_{WA} (incertezza sulla potenza acustica) 3 dB(A)

Kevin Hewitt
Direttore tecnico prodotti di consumo
Spennymoor, County Durham DL16 6JG,
Regno Unito
1-5-2006

Garanzia

Certa della qualità dei suoi prodotti, Black & Decker offre una garanzia eccezionale. Il presente certificato di garanzia è complementare ai diritti statutari e non li pregiudica in alcun modo. La garanzia è valida entro il territorio degli Stati membri dell'Unione Europea e dell'EFTA (European Free Trade Area).



Se un prodotto Black & Decker (escluso accessori, complementi, batterie, caricabatterie e mandrini) risulta difettoso per qualità del materiale, della costruzione o per mancata conformità, entro 3 anni dalla data di acquisto, Black & Decker garantirà la sostituzione di tutte le parti difettose, provvederà alla riparazione dei prodotti se ragionevolmente usurati, oppure alla loro sostituzione, purché il prodotto sia stato registrato sul sito web Black & Decker XT dedicato ai certificati di garanzie, entro 90 giorni dalla data dell'acquisto. Se il prodotto non è stato registrato, rimarrà valida la garanzia standard (2 anni).

La garanzia non è valida se:

- ◆ Il prodotto è stato destinato ad usi commerciali, professionali o al noleggio;
- ◆ Il prodotto è stato usato in modo improprio o scorretto;
- ◆ Il prodotto ha subito danni causati da oggetti o sostanze estranee oppure incidenti;
- ◆ Le riparazioni sono state eseguite da personale non autorizzato;
- ◆ Il prodotto è stato modificato in qualunque modo rispetto alle specifiche originali;
- ◆ Sono stati utilizzati accessori o complementi non idonei.

L'estensione della garanzia non è valida se:

- ◆ non viene prodotta una prova d'acquisto e il certificato di garanzia originale.

Registrate subito i vostri prodotti on-line sul sito www.blackanddecker.it/xt per poter usufruire dell'estensione di garanzia (3 anni) e tenervi aggiornati sui nuovi prodotti e sulle offerte speciali.

Per avvalersi della garanzia è necessario esibire la prova d'acquisto al venditore o al tecnico autorizzato. Per individuare il tecnico autorizzato più vicino, rivolgersi alla sede Black & Decker locale, presso il recapito indicato nel presente manuale. Altrimenti un elenco completo di tutti i tecnici autorizzati Black & Decker e i dettagli completi sui contatti e i servizi post-vendita sono disponibili sul sito Internet: **www.2helpU.com**

ITALIANO

Ulteriori informazioni sul marchio Black & Decker e sulla nostra gamma di prodotti sono disponibili all'indirizzo

www.blackanddecker.it

Gebruik volgens bestemming

Uw Black & Decker schuurmachine is ontworpen voor het schuren van hout, metaal, kunststof en geverfde oppervlakken. Deze machine is uitsluitend bestemd voor consumentengebruik.

Algemene veiligheidsvoorschriften

Waarschuwing! Lees alle voorschriften. Wanneer de volgende voorschriften niet in acht worden genomen, kan dit een elektrische schok, brand of ernstig letsel tot gevolg hebben. Het hierna gebruikte begrip "elektrisch gereedschap" heeft betrekking op elektrische gereedschappen voor gebruik op het stroomnet (met netsnoer) of op accu (snoerloos).
BEWAAR DEZE VOORSCHRIFTEN GOED.

1. Werkomgeving

a. Houd uw werkomgeving schoon en opgeruimd.

Een rommelige of onverlichte werkomgeving kan tot ongevallen leiden.

b. Werk met de machine niet in een omgeving met explosiegevaar, zoals in de nabijheid van brandbare vloeistoffen, gasen of stof bevinden.

Elektrische gereedschappen veroorzaken vonken die het stof of de dampen tot ontsteking kunnen brengen.

c. Houd kinderen en andere personen tijdens het gebruik van het elektrische gereedschap uit de buurt.

Wanneer u wordt afgeleid, kunt u de controle over het gereedschap verliezen.

2. Elektrische veiligheid

a. De netstekker van het gereedschap moet in het stopcontact passen. De stekker mag in geen geval worden veranderd. Gebruik geen adapterstekkers in combinatie met geaarde gereedschappen.

Onveranderde stekkers en passende stopcontacten beperken het risico van een elektrische schok.

b. Voorkom aanraking van het lichaam met geaarde oppervlakken, bijvoorbeeld buizen, verwarmingen, fornuizen en koelkasten.

Er bestaat een verhoogd risico voor een elektrische schok wanneer uw lichaam geaard is.

c. Houd het gereedschap uit de buurt van regen en vocht.

Het binnendringen van water in het elektrische gereedschap vergroot het risico van een elektrische schok.

d. Gebruik het snoer niet voor een verkeerd doel. Gebruik het snoer niet om het gereedschap te dragen of op te hangen of om de stekker uit het stopcontact te trekken. Houd het snoer uit de buurt van hitte, olie, scherpe randen of bewegende delen.

Beschadigde of in de war geraakte snoeren vergroten het risico van een elektrische schok.

e. Wanneer u buitenshuis met elektrisch gereedschap werkt, dient u alleen verlengsnoeren te gebruiken die voor gebruik buitenshuis zijn goedgekeurd.

Het gebruik van een voor gebruik buitenshuis geschikt verlengsnoer beperkt het risico van een elektrische schok.

3. Veiligheid van personen

a. Wees alert, let goed op wat u doet en ga met verstand te werk bij het gebruik van elektrische gereedschappen. Gebruik elektrisch gereedschap niet wanneer u moe bent of onder invloed van drugs, alcohol of medicijnen.

Een moment van onoplettendheid bij het gebruik van het gereedschap kan tot ernstige verwondingen leiden.

b. Draag persoonlijke beschermende uitrusting. Draag altijd een veiligheidsbril.

Het dragen van persoonlijke beschermende uitrusting zoals een stofmasker, slipvaste werkschoenen, een veiligheidshelm of gehoorbescherming, afhankelijk van de aard en het gebruik van het elektrische gereedschap, vermindert het risico van verwondingen.

c. Voorkom per ongeluk inschakelen. Controleer of de schakelaar in de uit-stand staat voordat u de stekker in het stopcontact steekt.

Wanneer u bij het dragen van het gereedschap uw vinger aan de schakelaar hebt of wanneer u het gereedschap ingeschakeld op de stroomvoorziening aansluit, kan dit tot ongevallen leiden.

d. Verwijder instelgereedschappen of schroefslutels voordat u het gereedschap inschakelt.

Een instelgereedschap of sleutel in een draaiend deel van het gereedschap kan tot verwondingen leiden.

e. Reik niet te ver. Zorg er altijd voor dat u stevig staat en in evenwicht blijft.

Daardoor kunt u het gereedschap in onverwachte situaties beter onder controle houden.

f. Draag geschikte kleding. Draag geen loshangende kleding of sieraden. Houd haren, kleding en handschoenen uit de buurt van bewegende delen.

Loshangende kleding, sieraden en lange haren kunnen door bewegende delen worden meegenomen.

g. Wanneer stofafzuigings- of stofopvangvoorzieningen kunnen worden gemonteerd, dient u zich ervan te verzekeren dat deze zijn aangesloten en juist worden gebruikt.

Het gebruik van deze voorzieningen beperkt het gevaar door stof.

4. Gebruik en onderhoud van elektrische gereedschappen

a. Overbelast het gereedschap niet. Gebruik voor uw toepassing het daarvoor bestemde elektrische gereedschap.

Mit het passende elektrische gereedschap werkt u beter en veiliger binnen het aangegeven capaciteitsbereik.

b. Gebruik geen elektrisch gereedschap waarvan de schakelaar defect is.

Elektrisch gereedschap dat niet meer kan worden in- of uitgeschakeld, is gevaarlijk en moet worden gerepareerd.

- c. Trek de stekker uit het stopcontact voordat u het gereedschap instelt, toebehoren wisselt of het gereedschap weglegt.** Deze voorzorgsmaatregel voorkomt onbedoeld starten van het gereedschap.
- d. Bewaar niet-gebruikte elektrische gereedschappen buiten bereik van kinderen. Laat het gereedschap niet gebruiken door personen die er niet mee vertrouwd zijn en deze aanwijzingen niet hebben gelezen.** Elektrische gereedschappen zijn gevaarlijk wanneer deze door onervaren personen worden gebruikt.
- e. Verzorg het gereedschap zorgvuldig. Controleer of bewegende delen van het gereedschap correct functioneren en niet vastklemmen en of onderdelen zodanig gebroken of beschadigd zijn dat de werking van het gereedschap nadelig wordt beïnvloed. Laat beschadigde delen repareren voordat u het gereedschap gebruikt.** Veel ongevallen worden veroorzaakt door slecht onderhouden elektrische gereedschappen.
- f. Houd snijdende inzetgereedschappen scherp en schoon.** Zorgvuldig onderhouden snijdende inzetgereedschappen met scherpe snijkanten klemmen minder snel vast en zijn gemakkelijker te geleiden.
- g. Gebruik elektrische gereedschappen, toebehoren, inzetgereedschappen en dergelijke volgens deze aanwijzingen en zoals voor dit speciale gereedschapstype voorgeschreven. Let daarbij op de arbeidsomstandigheden en de uit te voeren werkzaamheden.** Het gebruik van elektrische gereedschappen voor andere dan de voorziene toepassingen kan tot gevaarlijke situaties leiden.
- 5. Service**
- a. Laat het gereedschap alleen repareren door gekwalificeerd en vakkundig personeel en alleen met originele vervangingsonderdelen.** Daarmee wordt de veiligheid van het gereedschap gewaarborgd.

Aanvullende veiligheidsinstructies voor schuurmachines

- ◆ **Waarschuwing!** Contact met of inademing van stoffen die veroorzaakt worden door schuurtoepassingen kunnen de gezondheid van de gebruiker en mogelijke omstanders ernstig schaden. Draag een stofmasker dat speciaal ontworpen is ter bescherming tegen stoffen en dampen en verzeker u ervan dat andere personen op de werkvloer of die de werkvloer betreden eveneens beschermd zijn.
- ◆ Verwijder zorgvuldig alle stof na het schuren.
- ◆ Neem speciale maatregelen bij het schuren van verf met mogelijk een loodbasis of bij het schuren van bepaalde hout- en metaalsoorten die mogelijk giftige stoffen produceren:
 - Kinderen en zwangere vrouwen mogen de werkvloer niet betreden.

- Eten, drinken en roken op de werkvloer is niet toegestaan.
- Verwijder stof en ander afval op veilige en verantwoorde wijze.

Elektrische veiligheid



Deze machine is dubbel geïsoleerd; een aardaansluiting is daarom niet noodzakelijk. Controleer altijd of uw netspanning overeenkomt met de waarde op het typeplaatje.

Onderdelen

1. Aan/uit-schakelaar
2. Vergrendelingsknop
3. Snelheidsinstelknop
4. Verstelbare handgreep
5. Spanhendel
6. Terugklapbare kap
7. Centreerknop
8. Stofafzuigaansluiting

Montage

Waarschuwing! Zorg vóór aanvang van de montage dat de machine is uitgeschakeld en de netstekker van het lichtnet is losgekoppeld.

Aanbrengen van een schuurband (fig. A)

Waarschuwing! Gebruik de machine nooit zonder schuurband.

- ◆ Trek de spanhendel (5) naar buiten om de schuurband te ontspannen (9).
- ◆ Verwijder de oude schuurband.
- ◆ Plaats een nieuwe schuurband over de rollen. Verzeker u ervan dat de pijl op de schuurband in dezelfde richting wijst als de pijl op de machine.
- ◆ Duw de spanhendel (5) naar binnen om de schuurband te spannen.

Afstellen van de loop van de schuurband (fig. B)

Om een correcte loop te verzekeren dient de schuurband over de rollen te worden gecentreerd.

- ◆ Schakel de machine in terwijl u haar ondersteboven houdt.
- ◆ Draai de centreerknop (7) zodanig tot de loop van de band over de rollen is gecentreerd.

Instellen van de handgreep (fig. C)

De handgreep is instelbaar in 3 posities.

- ◆ Ontgrendel de handgreep (4) door de vergrendelhendel (10) naar buiten te trekken.
- ◆ Stel de handgreep in naar de gewenste stand.
- ◆ Vergrendel de handgreep door de vergrendelhendel naar binnen te duwen.

Terugklappen van de kap (fig D)

De kap kan worden teruggeklapt voor schuren in nauwe ruimtes.

Waarschuwing! De kap kan alleen worden teruggeklapt wanneer de verstelbare handgreep omhoog staat.

- ◆ Zet de handgreep (4) rechtopstaand.
- ◆ Til de kap (6) op.
- ◆ Om de kap te sluiten, trekt u de lip (11) eerst zijwaarts.

Aanbrengen en verwijderen van de stofcassette (fig. E)

- ◆ Schuif de stofcassette (12) over de stofzuigeraansluiting (8).
- ◆ Om de stofcassette te verwijderen, schuif deze van de uitlaat.

Aansluiten van een stofzuiger (fig. F)

- ◆ Schuif de adapter (13) over de stofzuigaansluiting (8).
- ◆ Sluit de slang van de stofzuiger aan op de adapter.

Gebruik

Waarschuwing! Laat de machine op haar eigen tempo werken. Niet overbelasten.

Variabele snelheidsregeling

De variabele snelheidsregeling biedt de mogelijkheid om de snelheid van de machine aan te passen aan het materiaal van het werkstuk.

- ◆ Zet de bedieningsknop (3) op de gewenste instelling. Gebruik een hoge snelheid voor hout, een gemiddelde snelheid voor finer en synthetische materialen, en een lage snelheid voor non-ferrometalen en voor het verwijderen van verf.

Aan- en uitschakelen

- ◆ Om de machine in te schakelen, drukt u de aan/uitschakelaar (1) in.
- ◆ Voor continu-bediening: houd de vergrendelingsknop (2) ingedrukt en laat de aan/uit-schakelaar los.
- ◆ Om de machine uit te schakelen, laat u de aan/uitschakelaar los. Om de machine uit te schakelen in continu-bedrijf, drukt u nogmaals op de aan/uitschakelaar en laat u hem los.

Legen van de stofcassette (fig. E & G)

De stofcassette dient na iedere 10 minuten gebruik worden geleegd.

- ◆ Trek de stofcassette (12) naar achteren en van de machine.
- ◆ Verwijder de bescherming (14) door deze rechtsom te draaien.

- ◆ Houd de stofcassette met het filter (15) naar beneden gericht en schud de cassette om de inhoud te legen. Schud het deksel om de inhoud te legen.
- ◆ Plaats het deksel (14) terug op de stofcassette door deze linksom te draaien totdat hij op zijn plaats vastklikt.
- ◆ Plaats de stofcassette terug op het apparaat.

Reinigen van het stofcassettefilter

Het stofcassettefilter is herbruikbaar en moet regelmatig worden gereinigd.

- ◆ Ledig de stofcassette (12) zoals hierboven beschreven.
- ◆ Trek het filter (15) van de stofcassette.

Waarschuwing! Draai het filter niet.

- ◆ Verwijder overtollig stof door het filter in een afvalbak uit te kloppen.

Waarschuwing! Gebruik geen borstel of perslucht of scherpe voorwerpen om het filter te reinigen. Was het filter niet.

- ◆ Plaats het filter terug.
- ◆ Breng het deksel weer aan.
- ◆ Plaats de stofcassette weer terug op de machine.

Tips voor optimaal gebruik

- ◆ Houd de machine altijd met beide handen vast.
- ◆ Voer niet te veel druk op de machine uit.
- ◆ Controleer regelmatig de conditie van de schuurband. Vervang indien nodig.
- ◆ Schuur altijd met de houtnerf mee.
- ◆ Gebruik een extra fijne korrel bij het schuren van een nieuwe verflaag voordat een volgende verflaag wordt aangebracht.
- ◆ Begin op zeer oneffen oppervlakken of bij het verwijderen van verflagen met een grove korrel. Begin op andere oppervlakken met een mediumkorrel. Ga in beide gevallen geleidelijk aan over op een fijne korrel voor een gladde afwerking.
- ◆ Informeer bij uw detailhandel voor meer informatie over de verkrijgbare accessoires.

Onderhoud

Uw machine is ontworpen om gedurende langere periode te functioneren met een minimum aan onderhoud. Voortdurend tevreden gebruik is afhankelijk van correct onderhoud en regelmatig schoonmaken.

- ◆ Reinig regelmatig de ventilatieopeningen van uw machine met een zachte borstel of een droge doek.
- ◆ Reinig regelmatig de behuizing van de motor met een vochtige doek. Gebruik geen schuur- of oplosmiddel.

Milieu



Gescheiden inzameling. Dit product mag niet met het gewone huishoudelijke afval worden weggegooid.

Wanneer uw oude Black & Deckerproduct aan vervanging toe is of het u niet langer van dienst kan zijn, gooi het dan niet bij het huishoudelijk afval. Zorg ervoor dat het product gescheiden kan worden ingezameld.



Door gebruikte producten en verpakkingen gescheiden in te zamelen, worden de materialen gerecycled en opnieuw gebruikt. Hergebruik van gerecyclede materialen voorkomt milieuvervuiling en vermindert de vraag naar grondstoffen.

Inzamelpunten voor gescheiden inzameling van elektrische huishoudproducten bij gemeentelijke vuilnisbergen of bij de verkoper waar u een nieuw product koopt, kunnen aan plaatselijke voorschriften gebonden zijn.

Black & Decker biedt de mogelijkheid tot inzamelen en recyclen van afgedankte Black & Decker producten. Om gebruik van deze service te maken, dient u het product aan een van onze servicecentra te sturen, die voor ons de inzameling verzorgen.

U kunt het adres van het dichtstbijzijnde servicecentrum opvragen via de adressen op de achterzijde van deze handleiding. U kunt ook een lijst van onze servicecentra en meer informatie m.b.t. onze klantenservice vinden op het volgende Internet-adres: www.2helpU.com

Technische gegevens

		XTA80EK
Spanning	V_{AC}	230
Opgenomen vermogen	W	750
Bandsnelheid	m/min	120 - 250
Oppervlak schuurzool	mm	75 x 533
Gewicht	kg	3,7

EG-conformiteitsverklaring

XTA80EK

Black & Decker verklaart dat deze producten in overeenstemming zijn met:

98/37/EEG, 89/336/EEG, 2002/95/EEG, EN 60745, EN 55014, EN 61000

L_{pA} (geluidsdruk) 87 dB(A),

L_{WA} (geluidsvermogen) 98 dB(A),

gewogen kwadratische gemiddelde waarde van de versnelling 3,8 m/s²

K_{pA} (meetonzekerheid geluidsdruk) 3 dB(A),

K_{WA} (meetonzekerheid geluidsvermogen) 3 dB(A)

Kevin Hewitt
Director of Consumer Engineering
Spennymoor, County Durham DL16 6JG,
Verenigd Koninkrijk
1-5-2006

Garantie

Black & Decker heeft vertrouwen in zijn producten en biedt een uitstekende garantie. Deze garantiebepalingen vormen een aanvulling op uw wettelijke rechten en beperken deze niet. De garantie geldt in de lidstaten van de Europese Unie en de Europese Vrijhandelsassociatie.



Mocht uw Black & Decker XT-product (behalve accessoires, hulpstukken, accu's, laders en boorhouders) binnen 3 jaar na datum van aankoop defect raken tengevolge van materiaal- of constructiefouten, garanderen wij de vervanging van defecte onderdelen, de reparatie van het product of de vervanging van deze producten, op voorwaarde dat het product geregistreerd is via de Black & Decker website voor de garantie van XT-producten. Indien het product niet geregistreerd is dan geldt alleen de standaard garantie (2 jaar).

De garantie geldt niet wanneer:

- ◆ Het product is gebruikt voor handelsdoeleinden, professionele toepassingen of verhuurdoeleinden;
- ◆ Het product onoordeelkundig is gebruikt;
- ◆ Het product is beschadigd door invloeden van buitenaf of door een ongeval;
- ◆ Poging tot reparatie is uitgevoerd door onbevoegde personen;
- ◆ Het product op welke manier dan ook is aangepast op basis van de oorspronkelijke specificaties;
- ◆ Ongeschikte accessoires of hulpstukken zijn gebruikt.

De verlengde garantie geldt niet wanneer:

- ◆ De aankoopbon of het originele garantiecertificaat van verlenging niet kan worden aangetoond.

Registreer uw product nu on-line via www.blackanddecker.nl/xt om in aanmerking te komen voor de verlengde garantie (3 jaar), en om op de hoogte te blijven van nieuwe producten en speciale aanbiedingen.

Om een beroep op de garantie te doen, dient u een aankoopbewijs te overhandigen aan de verkoper of een van onze servicecentra. U kunt het adres van het dichtstbijzijnde servicecentrum opvragen via de adressen op de achterzijde van deze handleiding. U kunt ook een lijst van onze servicecentra en meer informatie m.b.t. onze klantenservice vinden op het volgende Internet-adres: **www.2helpU.com**

Verdere informatie over het merk Black & Decker en onze producten vindt u op **www.blackanddecker.nl**

Uso previsto

Su lijadora de Black & Decker ha sido diseñada para lijar madera, metal, plástico y superficies pintadas. Esta herramienta está pensada únicamente para uso doméstico.

Normas de seguridad generales

¡Atención! Lea íntegramente estas instrucciones. En caso de no atenerse a las instrucciones de seguridad siguientes, ello puede dar lugar a una descarga eléctrica, incendio o lesión grave. El término "herramienta eléctrica" empleado en las advertencias indicadas a continuación se refiere a la herramienta eléctrica con alimentación de red (con cable) o alimentada por batería (sin cable).

GUARDE ESTAS INSTRUCCIONES EN UN LUGAR SEGURO.

1. Área de trabajo

a. Mantenga limpia y bien iluminada el área de trabajo.

El desorden y una iluminación deficiente en las áreas de trabajo pueden provocar accidentes.

b. No utilice la herramienta eléctrica en un entorno con peligro de explosión, en el que se encuentren combustibles líquidos, gases o material en polvo.

Las herramientas eléctricas producen chispas que pueden llegar a inflamar los materiales en polvo o vapores.

c. Mantenga alejados a los niños y otras personas del área de trabajo al emplear la herramienta eléctrica.

Una distracción le puede hacer perder el control sobre la herramienta.

2. Seguridad eléctrica

a. El enchufe de la herramienta eléctrica debe corresponder a la toma de corriente utilizada. No es admisible modificar el enchufe en forma alguna.

No emplee adaptadores en herramientas eléctricas dotadas con toma de tierra. Los enchufes sin modificar adecuados a las respectivas tomas de corriente reducen el riesgo de una descarga eléctrica.

b. Evite que su cuerpo toque partes conectadas a tierra como tuberías, radiadores, cocinas y refrigeradores.

El riesgo a quedar expuesto a una sacudida eléctrica es mayor si su cuerpo tiene contacto con tierra.

c. No exponga las herramientas eléctricas a la lluvia y evite que penetren líquidos en su interior.

Existe el peligro de recibir una descarga eléctrica si penetran ciertos líquidos en la herramienta eléctrica.

d. Cuide el cable de alimentación. No utilice el cable de red para transportar o colgar la herramienta eléctrica, ni tire de él para sacar el enchufe de la toma de corriente. Mantenga el cable de red alejado del calor, aceite, bordes afilados o piezas móviles.

Los cables de red dañados o enredados pueden provocar una descarga eléctrica.

e. Al trabajar con la herramienta eléctrica en la intemperie utilice solamente cables de prolongación homologados para su uso en exteriores.

La utilización de un cable de prolongación adecuado para su uso en exteriores reduce el riesgo de una descarga eléctrica.

3. Seguridad personal

a. Esté atento a lo que hace y emplee la herramienta eléctrica con prudencia. No utilice la herramienta eléctrica si estuviese cansado, ni tampoco después de haber consumido alcohol, drogas o medicamentos.

El no estar atento durante el uso de una herramienta eléctrica puede provocarle serias lesiones.

b. Utilice un equipo de protección y en todo caso unas gafas de protección.

El riesgo a lesionarse se reduce considerablemente si, dependiendo del tipo y la aplicación de la herramienta eléctrica empleada, se utiliza un equipo de protección adecuado como una mascarilla antipolvo, zapatos de seguridad con suela antideslizante, casco, o protectores auditivos.

c. Evite una puesta en marcha accidental de la herramienta. Compruebe que el interruptor está en la posición de apagado antes de enchufar la herramienta.

Transportar la herramienta eléctrica con el dedo sobre el interruptor o enchufarla con el interruptor encendido puede provocar accidentes.

d. Retire las herramientas de ajuste o llaves fijas antes de conectar la herramienta eléctrica.

Una herramienta o llave colocada en una pieza giratoria de la herramienta eléctrica puede producir lesiones al ponerse a funcionar.

e. Sea precavido. Mantenga un apoyo firme sobre el suelo y conserve el equilibrio en todo momento.

Ello le permitirá controlar mejor la herramienta eléctrica en caso de presentarse una situación inesperada.

f. Lleve puesta una vestimenta de trabajo adecuada. No lleve vestidos anchos ni joyas. Mantenga su pelo, vestimenta y guantes alejados de las piezas móviles.

La vestimenta suelta, las joyas y el pelo largo se pueden enganchar con las piezas en movimiento.

g. Siempre que sea posible utilizar unos equipos de aspiración o captación de polvo, asegúrese que éstos estén montados y que sean utilizados correctamente.

El empleo de estos equipos reduce los riesgos derivados del polvo.

4. Uso y cuidado de herramientas eléctricas

a. No sobrecargue la herramienta eléctrica. Use la herramienta eléctrica prevista para el trabajo a realizar.

Con la herramienta eléctrica adecuada podrá trabajar mejor y más seguro dentro del margen de potencia indicado.

- b. **No utilice herramientas eléctricas con un interruptor defectuoso.** Las herramientas eléctricas que no se puedan conectar o desconectar son peligrosas y deben hacerse reparar.
- c. **Saque el enchufe de la red antes de realizar un ajuste en la herramienta eléctrica, cambiar de accesorio o al guardar la herramienta.** Esta medida preventiva reduce el riesgo de conectar accidentalmente la herramienta eléctrica.
- d. **Guarde las herramientas eléctricas fuera del alcance de los niños y de las personas que no estén familiarizadas con su uso.** Las herramientas eléctricas utilizadas por personas inexpertas son peligrosas
- e. **Cuide sus herramientas eléctricas con esmero. Controle si funcionan correctamente, sin atascarse, las partes móviles de la herramienta eléctrica, y si existen partes rotas o deterioradas que pudieran afectar al funcionamiento de la herramienta. Si la herramienta eléctrica estuviese defectuosa haga que la reparen antes de volver a utilizarla.**
 Muchos de los accidentes se deben a herramientas eléctricas con un mantenimiento deficiente.
- f. **Mantenga las herramientas de corte limpias y afiladas.** Las herramientas de corte mantenidas correctamente se dejan guiar y controlar mejor.
- g. **Utilice herramientas eléctricas, accesorios, útiles de herramienta, etc. de acuerdo con estas instrucciones y en la manera indicada específicamente para esta herramienta eléctrica. Considere en ello las condiciones de trabajo y la tarea a realizar.** El uso de herramientas eléctricas para trabajos diferentes de aquellos para los que han sido concebidas puede resultar peligroso.

5. Servicio técnico

- a. **Haga reparar su herramienta eléctrica sólo por personal técnico autorizado que emplee exclusivamente piezas de repuesto originales.**
 Solamente así se garantiza la seguridad de la herramienta eléctrica.

Instrucciones de seguridad adicionales para lijadoras

- ◆ **¡Atención!** El contacto o la inhalación de polvo proveniente desprendido por aplicaciones de lijado, puede poner en peligro la salud del operario y la de aquellos próximos a usted.
 Utilice una mascarilla contra el polvo diseñada específicamente para proteger contra el polvo y las emanaciones, y asegúrese de que las demás personas que se encuentren dentro de, o que penetren en el área de trabajo también estén protegidas.
- ◆ Elimine a fondo todo el polvo después de lijar.

- ◆ Ponga cuidado cuando lije pinturas con posible contenido de plomo o algunos tipos de maderas y metales que puedan producir polvo tóxico.
 - No permita la entrada de niños ni de mujeres embarazadas al área de trabajo.
 - No ingiera alimentos ni bebidas, ni fume en el área de trabajo.
 - Deshágase de las partículas de polvo y demás residuos de un modo seguro.

Seguridad eléctrica



La herramienta lleva un doble aislamiento; por lo tanto no requiere una toma a tierra. Compruebe siempre que la tensión de la red corresponda con el valor indicado en la placa de datos de la herramienta.

Características

1. Conmutador ON/OFF (encendido/apagado)
2. Botón de bloqueo
3. Selector de control de velocidad variable
4. Mango ajustable
5. Palanca tensora
6. Capucha retráctil
7. Pomo de centrado
8. Salida para extracción de polvo

Montaje

¡Atención! Antes de proceder al montaje, compruebe que la herramienta está apagada y desenchufada.

Colocación de la cinta lijadora (fig. A)

¡Atención! No use nunca la herramienta sin la cinta lijadora.

- ◆ Tire de la palanca tensora (5) hacia fuera para liberar la tensión de la cinta lijadora (9).
- ◆ Quite la cinta lijadora usada.
- ◆ Coloque una cinta lijadora nueva sobre los rodillos. Asegúrese de que la flecha de la cinta lijadora apunta en la misma dirección que la flecha de la herramienta.
- ◆ Empuje la palanca tensora (5) hacia dentro para tensar la cinta lijadora.

Ajuste de la colocación de la cinta lijadora (fig. B)

Para garantizar una colocación correcta, la cinta lijadora debe estar centrada sobre los rodillos.

- ◆ Encienda la herramienta mientras la sostiene boca abajo.
- ◆ Gire el pomo de centrado (7) según sea necesario hasta que la colocación de la cinta quede centrada sobre los rodillos.

Ajuste del mango (fig. C)

El mango se puede ajustar a 3 posiciones.

- ◆ Desbloquee el mango (4) tirando del mango de bloqueo (10) hacia fuera.
- ◆ Ajuste el mango en la posición deseada.
- ◆ Bloquee el mango empujando el mango de bloqueo hacia dentro.

Retirada de la capucha (fig. D)

La capucha puede retirarse para lijar en espacios reducidos.

¡Atención! La capucha sólo puede retirarse cuando el mango ajustable se encuentre en la posición superior.

- ◆ Ajuste el mango (4) en la posición vertical-superior.
- ◆ Levante la capucha (6) hacia arriba.
- ◆ Para cerrar la capucha, tire primero de la pestaña (11) hacia un lado.

Colocación y retirada del cartucho para polvo (fig. E)

- ◆ Introduzca el cartucho para polvo (12) en la salida de extracción de polvo (8).
- ◆ Para retirar el cartucho para polvo, sáquelo del orificio de salida.

Conexión de un aspirador (fig. F)

- ◆ Deslice el adaptador (13) en la salida de extracción de polvo (8).
- ◆ Conecte la manguera del aspirador al adaptador.

Uso

¡Atención! Deje que la herramienta funcione a su ritmo. No lo sobrecargue.

Control de velocidad variable

El control de velocidad variable le permite adaptar la velocidad de la herramienta al material de la pieza que vaya a lijar.

- ◆ Coloque el selector de control (3) en la posición deseada. Para la madera utilice alta velocidad, para la madera chapada y materiales sintéticos velocidad media, y baja velocidad para metales no ferrosos y para eliminar la pintura.

Encendido y apagado

- ◆ Para encender la herramienta, presione el interruptor de encendido/apagado (1).
- ◆ Para un funcionamiento continuo, pulse el botón de bloqueo (2) y suelte el interruptor de encendido/apagado.
- ◆ Para apagar la herramienta, suelte el interruptor de encendido/apagado. Para apagar la herramienta durante el funcionamiento continuo, pulse el interruptor de encendido/apagado una vez más y suéltelo.

Vaciado del cartucho para polvo (fig. E & G)

El cartucho para polvo debe vaciarse cada 10 minutos de uso.

- ◆ Retire el cartucho para polvo (12) hacia atrás para sacarlo de la herramienta.
- ◆ Retire la tapa (14) girándola en el sentido de las agujas del reloj.
- ◆ Sujete el cartucho para polvo con el filtro (15) orientado hacia abajo y agítelo para vaciar su contenido. Sacuda la tapa para vaciar su contenido.
- ◆ Vuelva a colocar la tapa (14) en el cartucho para polvo, girándola en el sentido contrario a las agujas del reloj hasta que encaje en su posición.
- ◆ Vuelva a instalar el cartucho para polvo en la herramienta.

Limpieza del filtro del cartucho para polvo

El filtro del cartucho para polvo es reutilizable y debe limpiarse periódicamente.

- ◆ Vacíe el cartucho para polvo (12) como se ha descrito anteriormente.
- ◆ Tire del filtro (15) para sacarlo del cartucho para polvo.

¡Atención! No retuerza el filtro.

- ◆ Sacuda el exceso de polvo golpeando el filtro en un cubo de basura.

¡Atención! No lo cepille ni use aire comprimido, u objetos afilados, para limpiar el filtro. No lave el filtro.

- ◆ Vuelva a colocar el filtro.
- ◆ Vuelva a colocar la tapa.
- ◆ Vuelva a instalar el cartucho para polvo en la herramienta.

Consejos para un uso óptimo

- ◆ Sujete la herramienta con las dos manos en cualquier circunstancia.
- ◆ No ejerza demasiada presión sobre la herramienta.
- ◆ Compruebe periódicamente el estado de la cinta lijadora. Sustitúyala cuando sea necesario.
- ◆ Lije siempre en el sentido de la veta de la madera.
- ◆ Para lijar capas de pintura nuevas antes de aplicar otra capa, utilice un papel de lija de grano extrafino.
- ◆ En superficies muy desiguales o cuando vaya a quitar capas de pintura, comience con un papel de lija de grano grueso. Sobre otras superficies, comience con un papel de lija de grano medio. En ambos casos, cambie gradualmente a un papel de lija de grano fino para lograr un buen acabado.
- ◆ Consulte a su proveedor para obtener más información sobre los accesorios que están a la venta.

Mantenimiento

La herramienta ha sido diseñada para que funcione durante un largo período de tiempo con un mantenimiento mínimo.

El funcionamiento satisfactorio continuado depende de un cuidado apropiado y una limpieza periódica de la herramienta.

- ◆ Limpie periódicamente las ranuras de ventilación de la herramienta con un cepillo suave o un paño seco.
- ◆ Limpie periódicamente la carcasa del motor con un paño húmedo. No utilice ninguna sustancia limpiadora abrasiva o que contenga disolventes.

Protección del medio ambiente



Separación de desechos. Este producto no debe desecharse con la basura doméstica normal.

Si llega el momento de reemplazar su producto Black & Decker o éste ha dejado de tener utilidad para usted, no lo deseche con la basura doméstica normal. Asegúrese de que este producto se deseche por separado.



La separación de desechos de productos usados y embalajes permite que los materiales puedan reciclarse y reutilizarse. La reutilización de materiales reciclados ayuda a evitar la contaminación medioambiental y reduce la demanda de materias primas.

La normativa local puede prever la separación de desechos de productos eléctricos de uso doméstico en centros municipales de recogida de desechos o a través del distribuidor cuando adquiere un nuevo producto.

Black & Decker proporciona facilidades para la recogida y el reciclado de los productos Black & Decker que hayan llegado al final de su vida útil. Para hacer uso de este servicio, devuelva su producto a cualquier servicio técnico autorizado, que lo recogerá en nuestro nombre.

Pueden consultar la dirección de su servicio técnico más cercano poniéndose en contacto con la oficina local de Black & Decker en la dirección que se indica en este manual. Como alternativa, puede consultar en Internet la lista de servicios técnicos autorizados e información completa de nuestros servicios de posventa y contactos en la siguiente dirección:

www.2helpU.com

Características técnicas

	XTA80EK	
Voltaje	V _{AC}	230
Potencia absorbida	W	750
Velocidad de la cinta	m/min	120 - 250
Superficie de la base de la lijadora	mm	75 x 533
Peso	kg	3,7

Declaración de conformidad CE

XTA80EK

Black & Decker declara que estos productos cumplen las normas siguientes:
98/37/CEE, 89/336/CEE, 2002/95/CEE, EN 60745, EN 55014, EN 61000

L_{PA} (presión acústica) 87 dB(A),

L_{WA} (potencia acústica) 98 dB(A),

vibraciones soportadas en mano/brazo 3,8 m/s²

K_{PA} (incertidumbre de presión acústica): 3 dB(A),

K_{WA} (incertidumbre de potencia acústica) 3 dB(A)

Kevin Hewitt

Director de Ingeniería del Consumidor
Spennymoor, County Durham DL16 6JG,

Reino Unido

1-5-2006

Garantía

Black & Decker confía plenamente en la calidad de sus productos y ofrece una garantía extraordinaria. Esta declaración de garantía es una adición, y en ningún caso un perjuicio, a sus derechos legales. La garantía es válida dentro de los territorios de los Estados Miembros de la Unión Europea y de la Zona Europea de Libre Comercio.



Si un producto Black & Decker XT (excluidos los accesorios, acoplamientos, baterías, cargadores y portabrocas) resultara defectuoso debido a materiales o mano de obra defectuosos, o bien a falta de conformidad durante un período de 3 años desde la fecha de compra, Black & Decker garantiza la sustitución de todas las piezas defectuosas, la reparación de los productos, sujeta a un desgaste y rotura razonables, o la sustitución de tales productos siempre que éstos hayan sido registrados en el sitio web de garantía Black & Decker XT en un plazo máximo de 90 días a partir de la fecha de compra. Si el producto no se ha registrado, entonces se aplicará únicamente la garantía estándar (2 años).

La garantía no se aplica si:

- ◆ el producto ha sido utilizado con propósitos comerciales, profesionales o de alquiler;
- ◆ el producto ha sido sometido a un uso inadecuado o negligente;
- ◆ el producto ha sufrido daños causados por objetos o sustancias extrañas o accidentes;
- ◆ se han intentado reparaciones por parte de personal no autorizado;
- ◆ el producto ha sufrido adaptaciones, del modo que sea, respecto a sus especificaciones originales;
- ◆ se han utilizado accesorios o acoplamientos inadecuados.

La garantía ampliada no se aplica si:

- ◆ no se presenta prueba de compra y el certificado de garantía ampliada original.

Haga el registro on-line de su producto ahora en www.blackanddecker.es/xt para poder optar a la garantía ampliada (3 años) y estar al día sobre nuevos productos y ofertas especiales.

Para realizar reclamaciones en garantía, será necesario presentar la prueba de compra al vendedor o al servicio técnico de reparaciones autorizado. Puede consultar la dirección de su servicio técnico más cercano poniéndose en contacto con la oficina local de Black & Decker en la dirección que se indica en este manual. Como alternativa, puede consultar en Internet la lista de servicios técnicos autorizados e información completa de nuestros servicios de posventa y contactos en la siguiente dirección: **www.2helpU.com**

Encontrará información adicional sobre la marca Black & Decker y nuestra gama de productos en **www.blackanddecker.com**

Utilização

A sua lixadora Black & Decker foi projectada para lixar madeira, metal, plástico e superfícies pintadas. Esta ferramenta destina-se apenas ao doméstico.

Regras gerais de segurança

Advertência! Leia todas as instruções. O não cumprimento das instruções a seguir podem causar choque eléctrico, incêndio e/ou graves lesões. O termo “ferramenta eléctrica” utilizado a seguir refere-se a ferramentas eléctricas com ligação à corrente eléctrica (com cabo) ou operadas a bateria (sem fios). **GUARDE BEM ESTAS INSTRUÇÕES.**

1. Área de trabalho

- a. **Mantenha a sua área de trabalho limpa e arrumada.** Desordem e áreas de trabalho com fraca iluminação podem causar acidentes.
- b. **Não trabalhar com a ferramenta eléctrica em áreas com risco de explosão, nas quais se encontrem líquidos, gases ou pós inflamáveis.** Ferramentas eléctricas produzem faíscas que podem provocar a ignição de pó e vapores.
- c. **Mantenha crianças e outras pessoas afastadas da ferramenta eléctrica durante o trabalho com a ferramenta.** Distrações podem causar a falta de controlo sobre a ferramenta.

2. Segurança eléctrica

- a. **A ficha da ferramenta eléctrica deve caber na tomada. A ficha não deve ser modificada de modo algum. Não utilize quaisquer fichas de adaptação junto com ferramentas eléctricas ligadas à terra.** Fichas sem modificações e tomadas adequadas reduzem o risco de choques eléctricos.
- b. **Evite que o corpo entre em contacto com superfícies ligadas à terra, como por exemplo tubos, radiadores, fogões e frigoríficos.** Há um risco elevado de choques eléctricos, caso o corpo seja ligado à terra.
- c. **A ferramenta eléctrica não deve ser exposta à chuva nem humidade.** A penetração de água na ferramenta eléctrica aumenta o risco de choques eléctricos.
- d. **Manuseie o fio com cuidado. O cabo da ferramenta não deve ser utilizado para o transporte, para pendurar a ferramenta, nem para puxar a ficha da tomada. Mantenha o cabo afastado de calor, óleo, cantos afiados ou partes em movimento da ferramenta.** Cabos danificados ou torcidos aumentam o risco de choques eléctricos.
- e. **Ao trabalhar com a ferramenta eléctrica ao ar livre, use um cabo de extensão apropriado para áreas externas.** O uso de um cabo apropriado para áreas externas reduz o risco de choques eléctricos.

3. Segurança pessoal

- a. **Esteja alerta, observe o que está a fazer, e tenha prudência ao trabalhar com a ferramenta eléctrica. Não use a ferramenta eléctrica se estiver cansado ou sob a influência de drogas, álcool ou medicamentos.** Um momento de falta de atenção durante a operação da ferramenta eléctrica pode causar graves lesões.
- b. **Usar um equipamento pessoal de protecção. Utilizar sempre óculos de protecção.** Equipamento de segurança, como por exemplo, máscara de protecção contra pó, sapatos de segurança anti-derrapantes, capacete de segurança ou protecção auricular, de acordo com o tipo e aplicação da ferramenta eléctrica, reduz o risco de lesões.
- c. **Evite um accionamento involuntário. Assegure-se de que o interruptor está na posição de desligado antes de o ligar.** O transporte de ferramentas eléctricas com o dedo no interruptor ou a ligação das mesmas que tenham o interruptor ligado provoca acidentes.
- d. **Remover chaves de ajustes ou chaves de fenda, antes de ligar a ferramenta eléctrica.** Uma chave de fenda ou chave de ajuste que se encontre numa parte móvel da ferramenta, pode levar a lesões.
- e. **Não se sobrestime. Mantenha-se sempre bem posicionado e em equilíbrio.** Desta forma poderá ser mais fácil controlar a ferramenta em situações inesperadas.
- f. **Use vestuário apropriado. Não use roupa larga ou jóias. Mantenha o cabelo, roupa e luvas afastadas de partes em movimento.** Roupas largas, jóias ou cabelos longos podem ser agarradas por partes em movimento.
- g. **Se for prevista a montagem de dispositivos de aspiração de pó e de dispositivos de recolha, assegure-se de que estão ligados e que são utilizados de forma correcta.** A utilização destes dispositivos reduz os riscos provocados por pó.

4. Utilização e manutenção da ferramenta eléctrica

- a. **Não sobrecarregue a ferramenta eléctrica. Use para o seu trabalho a ferramenta eléctrica correcta.** A ferramenta correcta realizará o trabalho de forma melhor e mais segura dentro da potência indicada.
- b. **Não utilize a ferramenta eléctrica se o interruptor não puder ser ligado nem desligado.** Qualquer ferramenta eléctrica que não possa ser controlada através do interruptor de ligar-desligar é perigosa e deve ser reparada.
- c. **Desligue a ficha da tomada antes de efectuar ajustes na ferramenta, substituir acessórios ou armazenar a ferramenta eléctrica.** Esta medida de segurança evita que a ferramenta eléctrica seja ligada acidentalmente.

- d. **Mantenha as ferramentas eléctricas que não estiverem a ser utilizadas fora do alcance de crianças. Não permita que a ferramenta seja utilizada por pessoas não familiarizadas com a mesma ou que não tenham lido estas instruções.**

As ferramentas eléctricas são perigosas se utilizadas por pessoas não qualificadas.

- e. **Trate a sua ferramenta eléctrica com cuidado. Verifique se as partes móveis da ferramenta funcionam perfeitamente e não emperram, se há peças quebradas ou danificadas, que possam influenciar o funcionamento da ferramenta. As peças danificadas devem ser reparadas antes da utilização da ferramenta.** Muitos acidentes têm como causa uma manutenção insuficiente das ferramentas eléctricas.
- f. **Mantenha as ferramentas de corte sempre afiadas e limpas.** Ferramentas de cortes devidamente tratadas, com cantos afiados travam com menos frequência e podem ser controladas com maior facilidade.
- g. **Use a ferramenta eléctrica, os acessórios e as brocas da ferramenta etc., de acordo com estas instruções e da maneira determinada para este tipo especial de ferramenta eléctrica. Considere também as condições de trabalho e o trabalho a ser efectuado.** A utilização da ferramenta eléctrica para outros fins que os previstos pode resultar em situações perigosas.

5. Reparação

- a. **A sua ferramenta eléctrica só deve ser reparada por pessoal qualificado e só devem ser colocadas peças sobressalentes originais.** Desta forma é assegurada a segurança da ferramenta eléctrica.

Instruções adicionais de segurança para lixadoras

- ◆ **Advertência!** O contacto com, ou a inalação de poeiras provenientes de aplicações de lixagem pode colocar em perigo a saúde do operador e de outras pessoas. Utilize uma máscara para poeiras especificamente desenhada para protecção contra poeiras e vapores e assegure-se de que as pessoas que estão na área de trabalho ou que entrem nesta também estão protegidas.
- ◆ Remova completamente toda a poeira após lixar.
- ◆ Tome cuidado especial quando lixar pintura que possa conter chumbo ou quando lixar madeiras ou metais que possam produzir poeira tóxica:
 - Não permita que crianças ou mulheres grávidas entrem na área de trabalho.
 - Não coma, beba ou fume na área de trabalho.
 - Jogue fora as partículas de poeira e os detritos de maneira segura.

Segurança eléctrica



Esta ferramenta está duplamente vedada; assim não é necessário fio de terra. Certifique-se sempre de que o fornecimento de energia corresponde à tensão indicada na placa de especificações.

Funções

1. Interruptor de ligar/desligar
2. Botão de bloqueio
3. Botão de controlo de velocidade variável
4. Punho ajustável
5. Alavanca de tensão
6. Tampa retráctil
7. Botão de centragem
8. Saída de extracção de pó

Montagem

Advertência! Antes da montagem, certifique-se de que a ferramenta está desligada da corrente eléctrica.

Montagem de uma cinta de lixa (fig. A)

Advertência! Nunca utilize a ferramenta sem uma cinta de lixa.

- ◆ Puxe a alavanca de tensão (5) para fora para libertar a tensão da cinta de lixa (9).
- ◆ Retire a cinta de lixa usada.
- ◆ Coloque uma nova cinta de lixa sobre os rolos. Certifique-se de que a seta existente na cinta de lixa fica voltada na mesma direcção que a seta existente na ferramenta.
- ◆ Empurre a alavanca de tensão (5) para dentro, para esticar a cinta de lixa.

Ajuste da cinta de lixa (fig. B)

Para assegurar um ajuste correcto, a cinta de lixa tem de estar centrada sobre os rolos.

- ◆ Ligue a ferramenta, mantendo-a virada para baixo.
- ◆ Rode o botão de centragem (7), na medida do necessário, até a cinta ficar centrada sobre os rolos.

Ajuste do punho (fig. C)

O punho é ajustável em 3 posições.

- ◆ Desbloquee o punho (4), puxando o punho de travamento (10) para fora.
- ◆ Ajuste o punho para a posição pretendida.
- ◆ Bloquee o punho, empurrando o punho de travamento para dentro.

Retracção da tampa (fig. D)

A tampa pode ser retraída para lixar em espaços confinados.

Advertência! A tampa só poderá ser retraída se o punho ajustável estiver na posição superior.

- ◆ Ajuste o punho (4) na posição directamente para cima.
- ◆ Levante a tampa (6).
- ◆ Para fechar a tampa, puxe a lingueta (11) primeiro para o lado.

Colocação e remoção do compartimento do saco de pó (fig. E)

- ◆ Faça deslizar o compartimento do saco de pó (12) sobre a saída de extracção de pó (8).
- ◆ Para remover o compartimento do saco de pó, faça-o deslizar para fora da saída.

Ligação de um aspirador (fig. F)

- ◆ Faça deslizar o adaptador (13) sobre a saída de extracção de pó (8).
- ◆ Ligue a mangueira do aspirador ao adaptador.

Utilização

Advertência! Deixe que a ferramenta funcione à vontade. Não o sobrecarregue.

Controlo de velocidade variável

O controlo de velocidade variável permite adaptar a velocidade da ferramenta ao material a ser trabalhado.

- ◆ Ajuste o botão de controlo (3) conforme o desejado. Utiliza uma velocidade elevada para a madeira, uma velocidade média para madeira compensada e material sintético, e uma velocidade baixa para metal não ferroso e para remoção de tinta.

Como ligar e desligar a ferramenta

- ◆ Para ligar a ferramenta, pressione o interruptor de ligar/desligar (1).
- ◆ Para o funcionamento contínuo, prima o botão de bloqueio (2) e liberte o interruptor de ligar/desligar.
- ◆ Para desligar a ferramenta, solte o interruptor de ligar/desligar. Para desligar a ferramenta quando em funcionamento contínuo, prima uma vez no interruptor de ligar/desligar e liberte-o.

Esvaziamento do compartimento do saco de pó (fig. E & G)

Deve-se o compartimento do saco de pó a cada 10 minutos.

- ◆ Retire o compartimento do saco de pó (12) para trás até que se desencaixe da ferramenta.
- ◆ Remova a tampa (14), rodando-a para a direita.
- ◆ Segure o compartimento do saco de pó com o filtro (15) virado para baixo e abane-o para esvaziar. Sacuda a tampa para retirar o conteúdo.
- ◆ Volte a colocar a tampa (14) no compartimento do saco de pó, rodando-a para a esquerda até fixar em posição.

- ◆ Volte a colocar o compartimento do saco de pó na ferramenta.

Limpeza do filtro do compartimento do saco de pó

O filtro do compartimento do saco de pó é reutilizável e deve ser limpo regularmente.

- ◆ Esvazie o compartimento do saco de pó (12) como descrito acima.
- ◆ Puxe o filtro (15) para fora do compartimento do saco de pó.

Advertência! Não torça o filtro.

- ◆ Retire o excesso de pó batendo levemente com o filtro dentro de um balde do lixo.

Advertência! Não escove nem utilize ar comprimido ou objectos afiados para limpar o filtro. Não lave o filtro.

- ◆ Volte a colocar o filtro.
- ◆ Volte a colocar a tampa.
- ◆ Volte a colocar o compartimento do saco de pó na ferramenta.

Sugestões para uma melhor utilização

- ◆ Segure sempre a ferramenta com as duas mãos.
- ◆ Não exerça demasiada pressão na ferramenta.
- ◆ Verifique regularmente o estado de conservação da cinta de lixa. Substitua-a quando necessário.
- ◆ Lixe sempre com a granulação da madeira.
- ◆ Quando estiver a lixar novas camadas de tinta antes de aplicar outra camada, utilize granulação extrafina.
- ◆ Em superfícies muito irregulares ou para remover camadas de pintura, comece com uma granulação grossa. Em outras superfícies, comece com uma granulação média. Em ambos os casos, troque gradualmente para uma granulação fina para um acabamento liso.
- ◆ Consulte o seu fornecedor para obter mais informação sobre os acessórios disponíveis.

Manutenção

Esta ferramenta foi desenvolvida para funcionar por um longo período, com um mínimo de manutenção. O funcionamento contínuo e satisfatório depende da limpeza regular e da manutenção adequada da ferramenta.

- ◆ Limpe regularmente as fendas de ventilação da ferramenta utilizando uma escova suave ou um pano seco.
- ◆ Limpe regularmente o compartimento do motor utilizando um pano húmido. Não utilize nenhum detergente abrasivo nem à base de solvente.

Protecção do meio ambiente



Recolha em separado. Não deve deitar este produto fora juntamente com o lixo doméstico normal.

Caso chegue o momento em que um dos seus produtos Black & Decker precise de ser substituído ou decida desfazer-se do mesmo, não o deite fora juntamente com o lixo doméstico. Torne este produto disponível para uma recolha em separado.



A recolha em separado de produtos e embalagens utilizados permite que os materiais sejam reciclados e reutilizados. A reutilização de materiais reciclados ajuda a evitar a poluição ambiental e a reduzir a procura de matérias-primas.

Os regulamentos locais poderão providenciar a recolha em separado de produtos eléctricos junto das casas, em lixeiras municipais ou junto dos fornecedores ao adquirir um novo produto.

A Black & Decker oferece um serviço de recolha e reciclagem de produtos Black & Decker que tenha atingido o fim das suas vidas úteis. Para tirar proveito deste serviço, devolva seu produto a qualquer agente de reparação autorizado, que se encarregará de recolher o equipamento em nosso nome.

Para verificar a localização do agente de reparação mais próximo de si, contacte o escritório local da Black & Decker no endereço indicado neste manual. Se preferir, consulte a lista de agentes autorizados da Black & Decker e os dados completos dos nossos serviços de atendimento pós-venda na Internet no endereço: www.2helpU.com

Dados técnicos

		XTA80EK
Voltagem	V_{AC}	230
Potência	W	750
Velocidade da cinta	m/mín.	120 - 250
Superfície da base de lixar	mm	75 x 533
Peso	kg	3,7

Declaração de conformidade CE

XTA80EK

A Black & Decker declara que estes produtos estão em conformidade com a:

98/37/CEE, 89/336/CEE, 2002/95/CEE, EN 60745, EN 55014, EN 61000

L_{DA} (pressão acústica) 87 dB(A),

L_{WA} (potência acústica) 98 dB(A),

vibração medida da mão/braço de 3,8 m/s²

K_{DA} (imprecisão da pressão acústica): 3 dB(A),

K_{WA} (imprecisão da potência acústica) 3 dB(A)

Kevin Hewitt
Director de Engenharia do Consumo
Spennymoor, County Durham DL16 6JG,
Reino Unido
1-5-2006

Garantia

A Black & Decker confia na qualidade dos seus produtos e oferece um programa de garantia excelente. Esta declaração de garantia soma-se aos seus direitos legais e não os prejudica em nenhum aspecto. A garantia será válida nos territórios dos Estados-Membros da União Europeia e na Zona Europeia de Comércio Livre.



Caso algum produto XT Black & Decker (excluindo acessórios, baterias, carregadores e buchas) apresente avarias devido a defeitos de material, mão-de-obra ou ausência de conformidade no prazo de 3 anos a partir da data de compra, a Black & Decker garante a substituição de todas as peças defeituosas, a reparação dos produtos que foram submetidos a uso adequado ou substituição dos mesmos, desde que o produto seja registado no website de garantia da Black & Decker no prazo de 90 dias a partir da data de compra. Caso o produto não esteja registado, apenas se aplica a garantia normal (2 anos).

A garantia não se aplica se:

- ♦ o produto tenha sido utilizado para fins comerciais, profissionais ou aluguer;
- ♦ o produto tenha sido submetido a uso incorrecto ou descuido;
- ♦ o produto tenha sofrido danos causados por objectos estranhos, substâncias ou acidentes;
- ♦ eventuais reparações tenham sido efectuadas por pessoas não autorizadas;
- ♦ as especificações originais do produto tenham sido alteradas;
- ♦ tenham sido utilizados acessórios não adequados.

A garantia alargada não se aplica se:

- ◆ não for apresentada a prova de compra e o certificado de garantia alargada.

Registe o seu produto on-line através de www.blackanddecker.pt/xt para obter a garantia alargada (3 anos) e para se manter actualizado sobre novos produtos e ofertas especiais.

Para validar a garantia, será necessário enviar a prova de compra ao revendedor ou técnico autorizado. Para verificar a localização do técnico autorizado mais próximo de si, contacte o escritório local da Black & Decker no endereço indicado neste manual. Se preferir, consulte a lista de técnicos autorizados da Black & Decker e os dados completos dos nossos serviços de atendimento pós-venda na Internet no endereço: **www.2helpU.com**

Estão disponíveis mais informações sobre a Black & Decker e sobre a nossa gama de produtos em **www.blackanddecker.com**

Användningsområde

Din Black & Decker slipmaskin är avsedd för slipning av trä, metall, plast och målade ytor.

Verktyget är endast avsett som konsumentverktyg.

Allmänna säkerhetsregler

Varning! Samtliga anvisningar ska läsas. Fel som uppstår till följd av att anvisningarna nedan inte följts kan orsaka elchock, brand och/eller allvarliga kroppsskador. Nedan använt begrepp "Elverktyg" hänförs sig till nätdrivna elverktyg (med nätsladd) och till batteridrivna elverktyg (sladdlösa).

TA VÅL VARA PÅ SÄKERHETSANVISNINGARNA.

1. Arbetsområde

- a. **Håll arbetsplatsen ren och välbelyst.** Oordning på arbetsplatsen och dåligt belyst arbetsområde kan leda till olyckor.
- b. **Använd inte elverktyget i explosionsfarlig omgivning med brännbara vätskor, gaser eller damm.** Elverktygen alstrar gnistor som kan antända dammet eller gaserna.
- c. **Håll under arbetet med elverktyget barn och obehöriga personer på betryggande avstånd.** Om du störs av obehöriga personer kan du förlora kontrollen över elverktyget.

2. Elektrisk säkerhet

- a. **Elverktygets stickpropp måste passa till vägguttaget. Stickproppen får absolut inte förändras. Använd inte adapterkontakter tillsammans med skyddsjordade elverktyg.** Oförändrade stickproppar och passande vägguttag reducerar risken för elchock.
- b. **Undvik kroppskontakt med jordade ytor som t. ex. rör, värmeelement, spisar och kylskåp.** Det finns en större risk för elchock om din kropp är jordad.
- c. **Skydda elverktyget mot regn och väta.** Tränger vatten in i ett elverktyg ökar risken för elchock.
- d. **Misshandla inte nätsladden. Använd inte sladden för att bära eller hänga upp elverktyget och inte heller för att dra stickproppen ur vägguttaget. Håll nätsladden på avstånd från värme, olja, skarpa kanter och rörliga maskindelar.** Skadade eller tillrasslade sladdar ökar risken för elchock.
- e. **Använd när du arbetar med ett elverktyg utomhus endast förlängningssladdar som är godkända för utomhusbruk.** Om en avsedd förlängningssladd för utomhusbruk används minskar risken för elchock.

3. Personlig säkerhet

- a. **Var uppmärksam, se på vad du gör och använd elverktyget med förnuft. Använd inte elverktyget när du är trött eller om du är påverkad av droger,**

alkohol eller mediciner. Under användning av elverktyg kan även en kort ouppmärksamhet leda till allvarliga kroppsskador.

- b. **Använd personlig skyddsutrustning. Bär alltid skyddsglasögon.** Den personliga skyddsutrustningen som t. ex. dammfiltermask, halkfria säkerhetsskor, hjälm eller hörselskydd – med beaktande av elverktygets modell och driftsätt – reducerar risken för kroppsskada.
 - c. **Undvik oavsiktlig igångsättning. Kontrollera att strömbrytaren står i avstängt läge innan du kopplar elverktyget till nätet.** Det kan vara mycket farligt att bära ett elverktyg med fingret på strömbrytaren eller koppla det till nätet med strömbrytaren i till-läge.
 - d. **Ta bort alla inställningsverktyg och skruvnycklar innan du startar elverktyget.** Ett verktyg eller en nyckel i en roterande komponent kan medföra kroppsskada.
 - e. **Sträck dig inte för långt. Se till att du alltid har säkert fotfäste och balans.** På så sätt kan du lättare kontrollera elverktyget i oväntade situationer.
 - f. **Bär lämpliga kläder. Bär inte löst hängande kläder eller smycken. Håll hår, kläder och handskar undan från rörliga delar.** Löst hängande kläder, smycken och långt hår kan dras in av roterande delar.
 - g. **Vid elverktyg med dammsugnings- och - uppsamlingsutrustning kontrollera att anordningarna är rätt monterade och används på korrekt sätt.** Dessa anordningar reducerar riskerna i samband med damm.
- ### 4. Bruk och skötsel av elverktyg
- a. **Överbelasta inte elverktyget. Använd rätt elverktyg för det aktuella arbetet.** Med ett lämpligt elverktyg kan du arbeta bättre och säkrare inom angivet effektområde.
 - b. **Ett elverktyg med defekt strömbrytare får inte användas.** Ett elverktyg som inte kan kopplas till eller från är farligt och måste repareras.
 - c. **Dra stickproppen ur vägguttaget innan inställningar utförs, tillbehörsdelar byts ut eller elverktyget ställs undan.** Denna skyddsåtgärd förhindrar oavsiktlig inkoppling av elverktyget.
 - d. **Förvara elverktygen oåtkomliga för barn. Låt inte elverktyget användas av personer som inte är förtrogna med dess användning eller inte läst denna anvisning.** Elverktygen är farliga om de används av oerfarna personer.
 - e. **Sköt elverktyget omsorgsfullt. Kontrollera att rörliga komponenter fungerar felfritt och inte kärvar, att komponenter inte brustit eller skadats och inget annat föreligger som kan påverka elverktygets funktioner. Låt skadade delar repareras innan elverktyget används på nytt.** Många olyckor orsakas av dåligt skötta elverktyg.

- f. **Håll skärverktyg skarpa och rena.** Omsorgsfullt skötta skärverktyg med skarpa eggar fastnar inte så lätt och går lättare att styra.
- g. **Använd elverktyget, tillbehör, insatsverktyg osv. enligt dessa anvisningar och på sätt som föreskrivits för aktuell verktygsmodell. Ta hänsyn till arbetsvillkoren och arbetsmomenten.**
Används elverktyget på icke ändamålsenligt sätt kan farliga situationer uppstå.

5. Service

- a. **Låt elverktyget endast repareras av kvalificerad fackpersonal och med originalreservdelar.**
Detta garanterar att elverktygets säkerhet bibehålls.

Extra säkerhetsföreskrifter för slipmaskiner

- ◆ **Varning!** Kontakt med eller inandning av damm som uppstår vid sliparbeten kan vara hälsovärdigt för användaren eller eventuella omstående. Använd en specialkonstruerad ansiktsmask som skyddar mot damm eller ångor, samt se till att personer som vistas på, eller kommer i närheten av arbetsplatsen också är skyddade.
- ◆ Var noga med att ta bort allt slipdamm när slipningen har avslutats.
- ◆ Var speciellt försiktig när du slipar bort färg som eventuellt innehåller bly eller vid slipning av trä- och metallmaterial som kan avge giftigt slipdamm.
 - Låt aldrig barn eller gravida kvinnor vistas på arbetsplatsen.
 - Åt, drick och rök inte på arbetsplatsen.
 - Släng damm och annat avfall på miljösäker plats.

Elektrisk säkerhet



Eftersom verktyget är dubbelisolerat behövs ingen jordledare. Kontrollera alltid att nätspänningen överensstämmer med värdet på typskylten.

Funktioner

1. Strömbrytare
2. Låsknapp
3. Ratt för variabel hastighet
4. Inställbart handtag
5. Spännhandtag
6. Återdragbar huv
7. Centreringsknapp
8. Dammutsug

Montering

Varning! Se till att verktyget är avstängt samt att det inte är anslutet innan monteringen börjar.

Montering av slipband (fig. A)

Varning! Använd aldrig verktyget utan slipband

- ◆ Drag spännhandtaget (5) utåt för att lossa spänningen på slipbandet (9).
- ◆ Ta bort det gamla slipbandet.
- ◆ Placera ett nytt slipband på rullarna. Se till att pilen på slipbandplattorna pekar i samma riktning som pilen på verktyget.
- ◆ Skjut spännhandtaget (5) inåt för att spänna slipbandet.

Justering av slipbandets styrning (fig. B)

För att styrningen skall vara riktig måste slipbandet vara centrerat på rullarna.

- ◆ Håll verktyget uppochned och sätt på det.
- ◆ Vrid centreringsknappen (7) efter behov tills bandet löper centrerat på rullarna.

Justering av handtaget (fig. C)

Handtaget kan ställas in i 3 positioner.

- ◆ Lås upp handtaget (4) genom att dra spärrhandtaget (10) utåt.
- ◆ För handtaget till önskat läge.
- ◆ Lås handtaget genom att trycka spärrhandtaget inåt.

Att dra tillbaka huden (fig. D)

Huven kan dras tillbaka för att slipa i begränsade utrymmen.

Varning! Huven kan dras tillbaka när det inställbara handtaget är i läge uppåt.

- ◆ Ställ handtaget (4) så att det pekar rakt upp.
- ◆ Lyft huden (6) uppåt.
- ◆ Drag fliken (11) i sidled, och stäng sedan huden.

Fastsättning och borttagning av dammkassetten (fig. E)

- ◆ Skjut dammkassetten (12) över dammutsuget (8).
- ◆ Avlägsna dammkassetten genom att skjuta den av utsuget.

Ansluta dammsugare (fig. F)

- ◆ Skjut adaptorn (13) över dammutsuget (8).
- ◆ Anslut dammsugarens slang till adaptorn.

Användning

Varning! Överblasta inte maskinen, låt den arbeta i sin egen takt.

Variabelt hastighetskontroll

Du kan anpassa verktygets hastighet till det material som ska slipas med den variabla hastighetskontrollen.

- ◆ Ställ kontrollknappen (3) i önskat läge. Använd höga hastigheter för trä, mellanhastigheter för faner och syntetmaterial, och låga hastigheter för icke-järnmetaller och för att ta bort målarfärg.

Start och stopp

- ◆ Tryck på strömbrytaren för att starta verktyget (1).
- ◆ Tryck in låsknappen (2) och släpp strömbrytaren om du vill att verktyget ska gå hela tiden.
- ◆ Stäng av maskinen genom att släppa strömbrytaren. För att stänga av verktyget när det är inställt på kontinuerlig drift så trycker du en gång till på strömbrytaren, och släpper den sedan.

Tömning av dammkassetten (fig. E & G)

Töm dammkassetten var 10 minut när du arbetar med verktyget.

- ◆ Dra dammkassetten (12) bakåt och ta av den från verktyget.
- ◆ Ta bort locket (14) genom att vrida det medurs.
- ◆ Håll dammkassetten med filtret (15) nedåt och skaka den så att innehållet töms ut. Skaka locket för att tömma innehållet.
- ◆ Sätt tillbaka locket (14) på dammkassetten, och vrid moturs tills det låses fast.
- ◆ Sätt tillbaka dammkassetten på verktyget.

Rengöring av dammfilterkassetten

Dammfilterkassetten kan återanvändas och ska rengöras regelbundet.

- ◆ Töm dammkassetten (12) enligt beskrivningen ovan.
- ◆ Drag filtret (15) från dammkassetten.

Varning! Vrid aldrig filtret.

- ◆ Skaka ut dammet genom att slå filtret försiktigt mot insidan av en soptunna.

Varning! Rengör aldrig filtret med en borste, med tryckluft eller med vassa föremål. Tvätta aldrig filtret.

- ◆ Sätt tillbaka filtret.
- ◆ Sätt tillbaka locket.
- ◆ Sätt tillbaka dammkassetten på verktyget.

Råd för bästa resultat

- ◆ Håll alltid i verktyget med båda händerna.
- ◆ Tryck inte för hårt på verktyget.
- ◆ Kontrollera slippbandets skick regelbundet. Byt slippband vid behov.
- ◆ Slipa alltid i virkets fiberriktning.
- ◆ Använd extra finkornigt slippband mellan strykningarna av nymålade ytor.
- ◆ På mycket ojämna ytor eller vid borttagning av flera färglager bör ett grovkornigt slippapper användas i början. På andra ytor startas slipningen med medelgrovt slippapper. I båda fallen bör ett finkornigare slippapper användas efter hand för att uppnå en jämn och slät yta.

- ◆ Kontakta din återförsäljare för mer information om tillgängliga tillbehör.

Underhåll

Detta verktyg har tillverkat för att fungera under lång tid med ett minimum av underhåll. Med rätt underhåll och regelbunden rengöring behåller verktyget sin prestanda.

- ◆ Rengör regelbundet verktygets luftintag med en mjuk borste eller torr trasa.
- ◆ Rengör kåpan regelbundet med en fuktig trasa. Använd aldrig rengöringsmedel med lösnings- eller slipmedel.

Miljöskydd



Särskild insamling. Denna produkt får inte kastas bland vanliga hushållssopor.

Om du någon gång i framtiden behöver ersätta din Black & Decker-produkt med en ny, eller inte längre behöver den, ska du inte kasta den i hushållssoporna. Denna produkt skall lämnas till särskild insamling.



Efter insamling av använda produkter och förpackningsmaterial kan materialen återvinnas och användas på nytt. Användning av återvunna material skonar miljön och minskar förbrukningen av råvaror.

Enligt lokal lagstiftning kan det förekomma särskilda insamlingar av uttjänt elutrustning från hushåll, antingen vid kommunala miljöstationer eller hos detaljhandlaren när du köper en ny produkt.

Black & Decker erbjuder en samlings- och återvinnings-tjänst för Black & Decker-produkter när de en gång har tjänat ut. För att använda den här tjänsten lämnar du in produkten till en auktoriserad B & D –reparatör/representant som tar hand om den för din räkning.

Närmaste auktoriserad Black & Decker-representant finner du genom det lokala Black & Decker-kontoret på adressen i den här manualen. Annars kan du söka på Internet, på lista över auktoriserade Black & Decker-representanter och alla uppgifter om vår kundservice och andra kontakter.

www.2helpU.com

Tekniska data

	XTA80EK	
Spänning	V _{AC}	230
Ineffekt	W	750
Bandhastighet	m/min	120 - 250
Slippplattans yta	mm	75 x 533
Vikt	kg	3,7

EC-förklaring om överensstämmelse

XTA80EK

Black & Decker förklarar att dessa produkter överensstämmer med:

98/37/EEG, 89/336/EEG, 2002/95/EEG, EN 60745, EN 55014, EN 61000

L_{pA} (bullertryck) 87 dB(A),

L_{WA} (akustisk effekt) 98 dB(A),

vägt geometriskt vibrationsvärde hand/arm 3,8 m/s²

K_{pA} (osäkerhet bullertryck): 3 dB(A),

K_{WA} (osäkerhet akustisk effekt) 3 dB(A)



Kevin Hewitt

Director of Consumer Engineering
Spennymoor, County Durham DL16 6JG,
Storbritannien
1-5-2006

Registrera din produkt online nu på

www.blackanddecker.se/xt för att få den utökade garantin (3 år) samt för att erhålla information om nya produkter och specialerbjudanden.

För att göra anspråk på garantin måste du kunna visa inköpsbevis för återförsäljare eller auktoriserad reparatör. Närmaste auktoriserade Black & Decker-representant finner du genom det lokala Black & Decker-kontoret på adressen i den här manualen. Annars kan du söka på Internet, på listan över auktoriserade Black & Decker-representanter och alla uppgifter om vår kundservice och andra kontakter.

www.2helpU.com

Vidare information om märket Black & Decker och vårt produktsortiment kan återfinnas på

www.blackanddecker.se

Garanti

Black & Decker litar på sina produkters kvalitet och erbjuder en utomordentlig garanti. Denna garanti erbjuds jämte dina lagstadgade rättigheter och påverkar inte dessa. Garantin gäller inom EU:s och EFTA:s medlemsstater.



Om en Black & Decker XT produkt (exklusive tillbehör, tillsatser, batterier, laddare och chuck) blir defekt på grund av felaktiga material, felaktig tillverkning eller brist på konformitet inom 3 år från och med inköpsdatum, garanterar Black & Decker att man byter ut alla defekta delar, reparerar produkter som utsatts för skäligen slitage eller byter ut produkter under förutsättning att produkten är registrerad på garantiwebbplatsen för Black & Decker XT inom 90 dagar efter inköp. Om produkten inte är registrerad gäller endast standardgarantin (2 år).

Denna garanti gäller inte om:

- ◆ Produkten har använts professionellt eller för uthyrning;
- ◆ Produkten har varit föremål för felaktig användning eller försummelse;
- ◆ Produkten har skadats av främmande föremål, ämnen eller olyckor;
- ◆ Försök till reparationer har gjorts av obehöriga personer;
- ◆ Produkten har modifierats på något sätt från dess ursprungliga specifikation;
- ◆ Olämpliga tillbehör eller tillsatser har använts.

Den utökade garantin gäller inte om:

- ◆ Inköpsbevis och ursprungligt garantibevis inte kan visas.

Bruksområde

Sliperen fra Black & Decker er konstruert for sliping av treverk, metall, plast og malte overflater.

Verktøyet er tiltenkt kun som konsumentverktøy.

Generelle sikkerhetsforskrifter

Advarsel! Les gjennom alle anvisningene. Hvis anvisningene nedenfor ikke overholdes, kan det medføre elektrisk støt, brann og/eller alvorlige skader. Uttrykket «elektroverktøy» i alle advarslene nedenfor gjelder for strømledende elektroverktøy (med ledning) og batteridrevne elektroverktøy (uten ledning).
TA GODT VARE PÅ DISSE ANVISNINGENE.

1. Arbeidsplassen

a. Hold arbeidsområdet rent og godt opplyst.

Rotete arbeidsområder og arbeidsområder uten godt lys kan føre til ulykker.

b. Ikke arbeid med elektroverktøy i eksplosjonsfarlige omgivelser – der det befinner seg brennbare væsker, gass eller støv. Elektroverktøy forårsaker gnister som kan antenne støv eller damper.

c. Hold barn og andre personer unna når elektroverktøyet brukes. Hvis du blir forstyrret under arbeidet, kan du miste kontrollen.

2. Elektrisk sikkerhet

a. Støpselet til elektroverktøyet må passe inn i stikkkontakten. Støpselet må ikke forandres på noen som helst måte. Ikke bruk adapterstøpsler sammen med jordete elektroverktøy. Bruk av originale støpsler og passende stikkontakter reduserer risikoen for elektrisk støt.

b. Unngå kroppskontakt med jordete overflater som rør, radiatorer, komfyrer og kjøleskap. Det er større fare for elektrisk støt hvis kroppen din er jordet.

c. Hold elektroverktøy unna regn eller fuktighet. Dersom det kommer vann i et elektroverktøy, øker risikoen for elektrisk støt.

d. Unngå uforvarlig behandling av ledningen. Elektroverktøyet må aldri bæres eller trekkes etter ledningen, og trekk heller ikke ut støpselet ved å rykke i ledningen. Hold ledningen unna varme, olje, skarpe kanter eller bevegelige deler. Med skadde eller sammenflokete ledninger øker risikoen for elektrisk støt.

e. Når du arbeider utendørs med et elektroverktøy, må du kun bruke en skjøteledning som er godkjent til utendørs bruk. Ved å bruke en skjøteledning som er egnet for utendørs bruk, reduseres risikoen for elektrisk støt.

3. Personikkerhet

a. Vær oppmerksom, pass på hva du gjør og gå fornuftig fram når du arbeider med et elektroverktøy.

Ikke bruk elektroverktøy når du er trett eller er påvirket av narkotika, alkohol eller medikamenter.

Et øyeblikks uoppmerksomhet under bruk av verktøyet kan føre til alvorlige personskader.

b. Bruk personlig verneutstyr. Bruk alltid vernebriller.

Bruk av personlig verneutstyr, for eksempel støvmaske, skliskre vernesko, hjelm eller hørselsvern som passer til forholdene, reduserer risikoen for personskader.

c. Unngå utilsikket start av elektroverktøyet. Påse at bryteren står i posisjon "AV" før verktøyet koples til.

Det kan føre til ulykker hvis du bærer elektroverktøyet med fingeren på bryteren, eller kople til verktøyet når bryteren ikke står i posisjon "AV".

d. Fjern innstillingsverktøy eller skrunøkler før du slår på elektroverktøyet. Et verktøy eller en nøkkel som befinner seg i en roterende del, kan føre til personskade.

e. Ikke strekk deg for langt. Pass på at du alltid har sikkert fotfeste og god balanse. Da kan du kontrollere elektroverktøyet bedre i uventede situasjoner.

f. Bruk alltid egnede klær. Ikke bruk løstsittende klær eller smykker. Hold hår, klær og hansker unna bevegelige deler. Løstsittende tøy, smykker eller langt hår kan komme inn i bevegelige deler.

g. Hvis det kan monteres støvavsug- og oppsamlingsinnretninger, må du forvise deg om at disse er tilkoblet og brukes på korrekt måte. Bruk av disse innretningene reduserer faren i forbindelse med støv.

4. Aktsom håndtering og bruk av elektroverktøy

a. Ikke bruk makt på elektroverktøyet. Bruk et elektroverktøy som er beregnet på den type arbeid du vil utføre. Med et passende elektroverktøy arbeider du bedre og sikrere i det angitte effektområdet.

b. Ikke bruk elektroverktøy med defekt strømbryter. Et elektroverktøy som ikke lenger kan slås av eller på med bryteren, er farlig og må repareres.

c. Trekk støpselet ut av stikkkontakten før du utfører innstillinger på elektroverktøyet, skifter tilbehørsdeler eller legger elektroverktøyet bort. Disse tiltakene reduserer risikoen for en utilsikket start av elektroverktøyet.

d. Elektroverktøy som ikke er i bruk, må oppbevares utilgjengelig for barn. Ikke la verktøyet brukes av personer som ikke er fortrolig med dette, eller som ikke har lest disse bruksanvisningene. Elektroverktøy er farlige når de brukes av uerfarne personer.

- e. **Vær nøye med vedlikehold av elektroverktøy.** **Kontroller om bevegelige deler fungerer feilfritt og ikke klemmes fast, om deler er brukket eller skadet og andre forhold som kan innvirke på elektroverktøyets funksjon. Hvis elektroverktøyet er skadet, må det repareres før bruk.** Dårlig vedlikeholdte elektroverktøy er årsaken til mange uhell.
- f. **Hold skjæreverktøy skarpe og rene.** Godt vedlikeholdte skjæreverktøy med skarpe egger setter seg ikke så ofte fast og er lettere å føre.
- g. **Bruk elektroverktøy, tilbehør, bits osv. i henhold til disse anvisningene og slik det er foreskrevet for denne spesielle verktøytypen. Ta hensyn til arbeidsforholdene og arbeidet som skal utføres.** Bruk av elektroverktøy til andre formål enn det som er angitt, kan føre til farlige situasjoner.

5. Service

- a. **Elektroverktøyet ditt skal alltid repareres av kvalifisert personell og kun med originale reservedeler.** Dette forsikrer at elektroverktøyets sikkerhet opprettholdes.

Ekstra sikkerhetsinstruksjoner for slipemaskiner

- ◆ **Advarsel!** Kontakt med eller innånding av slipestøv kan være helseskadelig for brukeren og eventuelle andre tilstedeværende. Bruk en spesialmaske som verner mot støv og damp, og pass på at andre som oppholder seg eller kommer inn i området der du arbeider, også beskyttes seg.
- ◆ Fjern alt støv grundig etter sliping.
- ◆ Vær ekstra forsiktig når du pusser maling som kan inneholde bly, eller metall som kan avgi giftig støv:
 - La ikke barn eller gravide komme inn der du arbeider.
 - Ikke spis, drikk eller røyk der du arbeider.
 - Kvitt deg med støvpartikler eller annet avfall på en miljøvennlig måte.

Elektrisk sikkerhet



Dette apparatet er dobbeltisolert. Derfor er ikke jording nødvendig. Kontroller at nettspenningen er i overensstemmelse med spenningen på typeskiltet.

Funksjoner

1. Strømbryter
2. Låseknapp
3. Knapp for variabel hastighet
4. Justerbart håndtak
5. Strammehendel
6. Opptrekkelig kappe
7. Midtstillingsknapp
8. Åpning for støvuttrekk

Montering

Advarsel! Før monteringen, må du passe på at verktøyet er slått av og at kontakten er trukket ut.

Sette på slipebånd (fig. A)

Advarsel! Bruk aldri verktøyet uten slipebånd.

- ◆ Trekk strammehendelen (5) utover for å løsne strammingen av slipebåndet (9).
- ◆ Fjern det gamle slipebåndet.
- ◆ Sett et nytt slipebånd over rullene. Pass på at pilen på slipebåndet peker i samme retning som pilen på verktøyet
- ◆ Skyv strammehendelen (5) innover for å stramme til slipebåndet.

Justere slipebåndstyringen (fig. B)

For at slipebåndet skal kunne styres på riktig måte, må det være sentrert over rullene.

- ◆ Hold verktøyet opp ned når du slår det på.
- ◆ Drei sentreringsknappen (7) etter behov, til båndstyringen er sentrert over rullene.

Justering av håndtaket (fig. C)

Håndtaket kan justeres til 3 stillinger.

- ◆ Frigjør håndtaket (4) ved å trekke låsehendelen (10) utover.
- ◆ Juster håndtaket til ønsket posisjon.
- ◆ Lås håndtaket ved å skyve låsehendelen innover.

Trekke tilbake kappen (fig. D)

Kappen kan trekkes tilbake ved sliping på vanskelig tilgjengelige steder.

Advarsel! Kappen kan bare trekkes tilbake når det justerbare håndtaket er i øvre stilling.

- ◆ Juster håndtaket (4) slik at den står rett opp.
- ◆ Løft kappen (6) opp.
- ◆ Løsne kappen ved først å trekke tappen (11) mot siden.

Montere og fjerne støvkassetten (fig. E)

- ◆ Skyv støvkassetten (12) over åpningen for støvuttrekk (8).
- ◆ For å fjerne støvkassetten, skyv den av åpningen.

Koble til en støvsuger (fig. F)

- ◆ Skyv adapteren (13) over åpningen for støvuttrekk (8).
- ◆ Koble slangen på støvsugeren til adapteren.

Bruk

Advarsel! La verktøyet jobbe med sin egen hastighet. Ikke overbelast det.

Variabel hastighetskontroll

Med kontrollknappen for variabel hastighet kan du justere verktøyet hastighet i henhold til materialet du skal arbeide med.

- ◆ Sett kontrollknappen (3) på ønsket innstilling. Bruk høy hastighet til tre, middels hastighet til finér og syntetisk materiale, og lav hastighet for ikke-jern-metall og for fjerning av maling.

Start og stopp

- ◆ Trykk på strømbryteren (1) for å slå verktøyet på.
- ◆ Trykk på låseknappen (2) for kontinuerlig drift, og slipp strømbryteren.
- ◆ Slipp strømbryteren for å slå verktøyet av. Slå av verktøyet når det er i kontinuerlig drift ved å trykke en gang til på strømbryteren og slippe den.

Tømme støvkassetten (fig. E & G)

Støvkassetten bør tømmes hvert 10. minutt når verktøyet brukes.

- ◆ Trekk støvkassetten (12) bakover og bort fra verktøyet.
- ◆ Ta av dekelet (14) ved å vri det med klokken.
- ◆ Hold støvkassetten med filteret (15) ned, og rist kassetten slik at innholdet tømmes ut. Rist dekelet for å tømme ut innholdet.
- ◆ Sett dekelet (14) på støvkassetten igjen ved å vri det mot klokken til det låses på plass.
- ◆ Sett støvkassetten på verktøyet igjen.

Rengjøre støvkassetfilteret

Støvkassetfilteret kan brukes mange ganger, og må rengjøres jevnlig.

- ◆ Tøm støvkassetten (12) som beskrevet ovenfor.
- ◆ Trekk filteret (15) av støvkassetten.

Advarsel! Ikke vri filteret.

- ◆ Fjern overflødig støv ved å dunke i filtret over en søppelkasse.

Advarsel! Ikke bruk børste eller trykkluft eller skarpe gjenstander til å rengjøre filteret. Ikke vask filteret.

- ◆ Sett tilbake filtret.
- ◆ Sett dekelet på plass.
- ◆ Sett støvkassetten på verktøyet igjen.

Råd for optimalt resultat

- ◆ Hold alltid verktøyet med begge hender.
- ◆ Ikke trykk for hardt på verktøyet.
- ◆ Sjekk slipebåndet regelmessig. Skift det ut ved behov.
- ◆ Slip alltid i treets fiberretning.
- ◆ Når du skal slippe nye malingsstrøk før du skal male et nytt strøk, bruker du ekstra finkornet slipepapir.
- ◆ På veldig ujevne overflater, eller når du skal fjerne flere lag med maling, begynner du med et grovere slipepapir. På andre overflater begynner du med et middels kornet slipepapir. I begge tilfeller bytter du gradvis til mer finkornet slipepapir for å få en glattere overflate.

- ◆ Kontakt forhandleren for å få mer informasjon om tilgjengelig tilbehør.

Vedlikehold

Verktøyet ditt er konstruert for å være i drift over lengre tid med et minimum av vedlikehold. Det er avhengig av godt vedlikehold og regelmessig rengjøring for å fungere som det skal til enhver tid.

- ◆ Rengjør ventilingsåpningene på verktøyet regelmessig med en myk børste eller en tørr klut.
- ◆ Rengjør motorhuset regelmessig med en fuktig klut. Ikke bruk slpende eller løsemiddelbaserte rengjøringsmidler.

Miljøvern



Kildesortering. Dette produktet må ikke kastes i det vanlige husholdningsavfallet.

Hvis du finner ut at Black & Decker-produktet ditt må skiftes ut, eller hvis du ikke lenger har bruk for det, må du unnlate å kaste det sammen med det vanlige husholdningsavfallet. Sørg for at dette produktet gjøres tilgjengelig for kildesortering.



Kildesortering av brukte produkter og emballasje gjør det mulig å resirkulere materialer og bruke dem igjen. Gjenbruk av resirkulerte materialer bidrar til å forhindre forurensning av miljøet og reduserer behovet for råmaterialer.

Lokale regelverk kan legge tilrette for kildesortering av elektriske produkter fra husholdningen, ved kommunale deponier eller gjennom forhandleren når du kjøper et nytt produkt.

Black & Decker har tilrettelagt for innsamling og resirkulering av Black & Decker-produkter etter at de har utspilt sin rolle. Ønsker du å benytte deg av denne tjenesten, returnerer du produktet ditt til et autorisert serviceverksted, som tar det imot og formidler det videre.

Du kan få adressen til ditt nærmeste autoriserte serviceverksted ved å kontakte ditt lokale Black & Decker-kontor på adressen oppgitt i denne håndboken. Du kan også finne en komplett liste over autoriserte Black & Decker-serviceverksteder og utfyllende informasjon om vår etter salg-service og kontaktnummer på Internett på følgende adresse: www.2helpU.com

Tekniske data

		XTA80EK
Spenning	V_{AC}	230
Inn-effekt	W	750
Båndhastighet	m/min	120 - 250
Slipebaseoverflate	mm	75 x 533
Vekt	kg	3,7

Samsvarserklæring for EU

XTA80EK

Black & Decker erklærer at disse produktene overholder:
98/37/EØF, 89/336/EØF, 2002/95/EØF, EN 60745, EN 55014,
EN 61000

 L_{pA} (lydtrykk) 87 dB(A), L_{WA} (akustisk effekt) 98 dB(A),hånd/arm-vektet vibrasjon 3,8 m/s² K_{pA} (lydtrykksusikkerhet): 3 dB(A), K_{WA} (usikkerhet i akustisk effekt) 3 dB(A)


Kevin Hewitt

Adm. dir. for forbrukerteknikk
Spennymoor, County Durham DL16 6JG,
Storbritannia

1-5-2006

- ◆ Reparasjoner er utført av uautorisert personell;
- ◆ Produktet på en eller annen måte er modifisert i forhold til originalspesifikasjonene;
- ◆ Det er brukt uegnet tilbehør eller uegnede tilbehørsdeler.

Den utvidete garantien gjelder ikke hvis:

- ◆ Kvittering og originalt garantibevis for utvidet garanti ikke kan legges fram.

Stikk innom våre nettsider på www.blackanddecker.no/xt og registrer produktet ditt for den utvidete garantien (3 år) og for å bli oppdatert om nye produkter og spesialtilbud.

For å benytte deg av garantien må du kunne legge fram kvittering for selger eller autorisert serviceverksted. Du kan få adressen til ditt nærmeste autoriserte serviceverksted ved å kontakte ditt lokale Black & Decker-kontor på adressen oppgitt i denne håndboken. Du kan også finne en komplett liste over autoriserte Black & Decker-serviceverksteder og utfyllende informasjon om vår ettersalgsservice og kontaktnumre på Internett på følgende adresse: **www.2helpU.com**

Du finner mer informasjon om Black & Decker og produktutvalget på **www.blackanddecker.no**

Garanti

Black & Decker innestår for kvaliteten på sine produkter og tilbyr en utmerket garanti. Denne garantierklæringen kommer i tillegg til dine lovfestede rettigheter og begrenser ikke disse på noen måte. Garantien gjelder innenfor grensene til medlemsstatene i Den europeiske union (EU) og Det europeiske frihandelsforbund (EFTA).



Hvis et Black & Decker XT-produkt (unntatt tilbehør, tilbehørsdeler, batterier, ladere og chucker) skulle bli skadet på grunn av materialfeil, produksjonsfeil eller manglende samsvar innen 3 år etter anskaffelse, garanterer Black & Decker at de vil bytte ut alle skadde deler, reparere produkter utsatt for normal slitasje eller bytte ut slike produkter, forutsatt at produktet er registrert via nettsidene til Black & Deckers XT-garanti innen 90 dager etter anskaffelse. Hvis produktet ikke er registrert, gjelder kun den ordinære garantien (2 år).

Garantien gjelder ikke hvis:

- ◆ Produktet har vært videresolgt, brukt profesjonelt eller leid ut;
- ◆ Produktet har vært utsatt for feil bruk eller mislighold;
- ◆ Produktet har lidd skade på grunn av fremmedlegemer, -stoffer eller ulykker;

Anvendelsesområde

Din Black & Decker slibemaskine er designet til slibning af træ, metal, plastik og malede overflader. Værktøjet er kun beregnet til privat brug.

Generelle sikkerhedsregler

Advarsel! Læs alle instrukserne. Hvis nedenstående instrukser ikke følges, er der risiko for elektrisk stød, brand og/eller alvorlige personskader. Det benyttede begreb "el-værktøj" i nedennævnte advarsler refererer til netdrevne (med tilslutningsledning) eller batteridrevne maskiner (uden tilslutningsledning).

DISSE INSTRUKSER BØR OPBEVARES TIL SENERE BRUG.

1. Arbejdsområde

- a. **Sørg for, at arbejdsområdet er rent og ryddeligt.** Uordentlige og uoplyste arbejdsområder øger faren for uheld.
- b. **Brug ikke el-værktøj i eksplosionstruede omgivelser, f.eks. hvor der er brændbare væsker, gasser eller støv.** El-værktøj kan slå gnister, der kan antænde støv eller dampe.
- c. **Sørg for, at børn og andre personer holder sig på afstand, når el-værktøjet er i brug.** Hvis man distraheres, kan man miste kontrollen over maskinen.

2. El-sikkerhed

- a. **El-værktøjsstik skal passe til kontakten. Stikket må under ingen omstændigheder ændres. Brug ikke adapterstik sammen med jordforbundet el-værktøj.** Uændrede stik, der passer til kontakterne, nedsætter risikoen for elektrisk stød.
- b. **Undgå kropskontakt med jordforbundne overflader som f.eks. rør, radiatorer, komfurer og køleskabe.** Hvis din krop er jordforbundet, øges risikoen for elektrisk stød.
- c. **El-værktøj må ikke udsættes for regn eller fugt.** Indtrængen af vand i el-værktøj øger risikoen for elektrisk stød.
- d. **Undgå at ødelægge ledningen. Undgå at bære, trække eller afbryde el-værktøjet ved at rykke i ledningen. Beskyt ledningen mod varme, olie, skarpe kanter eller maskindele, der er i bevægelse.** Beskadigede eller indviklede ledninger øger risikoen for elektrisk stød.
- e. **Hvis el-værktøj benyttes i det fri, skal der benyttes en forlængerledning, som er godkendt til udendørs brug.** Brug af en forlængerledning til udendørs brug nedsætter risikoen for elektrisk stød.

3. Personlig sikkerhed

- a. **Det er vigtigt at være opmærksom, holde øje med, hvad man laver og bruge el-værktøjet fornuftigt.**

Man bør ikke bruge maskinen, hvis man er træt, har nydt alkohol eller er påvirket af medicin eller euforiserende stoffer. Få sekundens uopmærksomhed ved brug af el-værktøjet kan føre til alvorlige personskader.

- b. **Brug sikkerhedsudstyr. Brug altid beskyttelsesbriller.** Brug af sikkerhedsudstyr som f.eks. støvmaske, skridsikkert fodtøj, beskyttelseshjelm eller høreværn afhængigt af maskintype og anvendelse nedsætter risikoen for personskader.
 - c. **Undgå utilsigtet igangsætning. Sørg for, at el-værktøjets afbryder er på off, før det slutes til strømmen.** Hvis man bærer el-værktøj med fingeren på afbryderen, eller hvis man slutter værktøjet til strømmen, mens afbryderen er på on, er der risiko for ulykker.
 - d. **Fjern indstillingsværktøj eller skruenøgle, inden el-værktøjet tændes.** Et værktøj eller en nøgle, der efterlades i en roterende del i el-værktøjet, kan resultere i personskader.
 - e. **Overvurder ikke dig selv. Sørg for, at du altid har sikkert fodfæste og balance.** Det gør det nemmere at kontrollere el-værktøjet, hvis der skulle opstå uventede situationer.
 - f. **Brug egnet arbejdstøj. Undgå løse beklædningsgenstande eller smykker. Hold hår, tøj og handsker væk fra dele, der bevæger sig.** Bevægelige dele kan gribe fat i løstsiddende tøj, smykker eller langt hår.
 - g. **Hvis støvudsugnings- og opsamlingsudstyr kan monteres, er det vigtigt, at dette tilsluttes og benyttes korrekt.** Brug af dette udstyr nedsætter risikoen for personskader som følge af støv.
4. **Brug og vedligeholdelse af el-værktøj**
 - a. **Undgå at overbelaste el-værktøjet. Brug altid det rette el-værktøj til opgaven.** Med det rigtige el-værktøj udføres arbejdet lettere og sikrere inden for det angivne effektområde.
 - b. **Brug ikke el-værktøjet, hvis afbryderen er defekt.** El-værktøj, der ikke kan kontrolleres med afbryderen, er farligt og skal repareres.
 - c. **Træk stikket ud af stikkontakten inden indstilling, tilbehørsudskiftning eller opbevaring af el-værktøjet.** Disse sikkerhedsforanstaltninger reducerer risikoen for utilsigtet start af værktøjet.
 - d. **Opbevar ubenyttet el-værktøj uden for børns rækkevidde. Lad aldrig personer, der ikke er fortrolige med el-værktøj, eller som ikke har gennemlæst disse instrukser, benytte maskinen.** El-værktøj er farligt, hvis det benyttes af ukendige personer.

- e. **El-værktøj bør vedligeholdes omhyggeligt. Kontroller, om bevægelige dele fungerer korrekt og ikke sidder fast, og om delene er brækket eller beskadiget, således at el-værktøjets funktion påvirkes. Få beskadigede dele repareret, inden el-værktøjet tages i brug.** Mange uheld skyldes dårligt vedligeholdt el-værktøj.
- f. **Sørg for, at skæreværktøjer er skarpe og rene.** Omhyggeligt vedligeholdt skæreværktøjer med skarpe skærekanter sætter sig ikke så hurtigt fast og er nemmere at føre.
- g. **Brug el-værktøj, tilbehør, indsatsværktøj osv. i overensstemmelse med disse instrukser, og sådan som det kræves for denne specielle værktøjstype. Tag hensyn til arbejdsforholdene og det arbejde, der skal udføres.** I tilfælde af anvendelse af el-værktøjet til formål, som ligger uden for det fastsatte anvendelsesområde, kan der opstå farlige situationer.
5. **Service**
- a. **Sørg for, at el-værktøjet kun repareres af kvalificerede fagfolk, og at der kun benyttes originale reservedele.** Dermed opretholdes el-værktøjets sikkerhed.

Yderligere sikkerhedsvejledninger for slibemaskiner

- ◆ **Advarsel!** Hvis brugeren eller eventuelle tilskuere kommer i kontakt med eller indånder støv fra slibningsprocesser, kan det skade deres helbred. Bær en specielt designet støvmaske til beskyttelse mod støv og røg, og sørg for, at personer i eller ved adgangen til arbejdsområdet også er beskyttet.
- ◆ Man skal grundigt fjerne alt støv efter slibning.
- ◆ Man skal være specielt opmærksom ved slibning af maling, som er blybaseret, og ved slibning af nogle typer træ og metal, som kan frembringe giftigt støv.
 - Børn og gravide kvinder må ikke betræde arbejdsområdet.
 - Man må hverken spise, drikke eller ryge inden for arbejdsområdet.
 - Støvp Partikler og andet affald skal bortskaffes på en sikker måde.

El-sikkerhed



Denne maskine er dobbelt isoleret. Derfor er jordledning ikke nødvendig. Kontroller altid, at strømforsyningen svarer til spændingen på typeskiltet.

Funktioner

1. Afbryder
2. Låseknop
3. Betjeningsknop til variabel hastighed

4. Justerbart håndtag
5. Spændingsarm
6. Hætte, der kan trækkes tilbage
7. Centreringsgreb
8. Støvdugsningsudgang

Montering

Advarsel! Før montering skal man sikre sig, at værktøjet er slukket og taget ud af stikkontakten.

Påsætning af slibeband (fig. A)

Advarsel! Benyt aldrig værktøjet uden slibeband.

- ◆ Træk spændingsarmen (5) ud for at løsne spændingen på slibebandet (9).
- ◆ Fjern det gamle slibeband.
- ◆ Sæt et nyt slibeband hen over rullerne. Sørg for, at pilen på slibebandet peger i samme retning som pilen på værktøjet.
- ◆ Tryk spændingsarmen (5) ind for at spænde slibebandet.

Justering af slibebandssporingen (fig. B)

For at sikre korrekt sporing skal man centrere slibebandet over rullerne.

- ◆ Tænd for værktøjet, mens det holdes med bunden i vejret.
- ◆ Drej centreringsarmen (7) efter behov, til båndets sporing er centreret over rullerne.

Justering af håndtaget (fig. C)

Håndtaget er justerbart på 3 positioner.

- ◆ Lås håndtaget (4) op ved at trække låsehåndtaget (10) udad.
- ◆ Juster håndtaget i den ønskede position.
- ◆ Lås håndtaget ved at skubbe låsehåndtaget indad.

Tilbagetrækning af hættten (fig. D)

Hættten kan trækkes tilbage ved slibning på snævre steder.

Advarsel! Hættten kan kun trækkes tilbage, når det justerbare håndtag står opad.

- ◆ Juster håndtaget (4), så det står lige op.
- ◆ Løft hættten (6) op.
- ◆ Luk hættten ved først at trække tappen (11) til siden.

Påsætning og aftagning af støvkassetten (fig. E)

- ◆ Skub støvkassetten (12) over støvdugsningsudgangen (8).
- ◆ Fjern støvkassetten igen ved at skubbe den ud af støvdugsningsudgangen.

Tilslutning af en støvsuger (fig. F)

- ◆ Skub adapteren (13) over støvdugsningsudgangen (8).
- ◆ Slut støvsugerslangen til adapteren.

Anvendelse

Advarsel! Lad værktøjet arbejde i dets eget tempo. Det må ikke overbelastes.

Styring af variabel hastighed

Kontrolknappen til forskellige hastigheder giver dig mulighed for at tilpasse værktøjets hastighed til det emne, der arbejdes på.

- ◆ Indstil kontrolknappen (3) på den ønskede indstilling. Brug høj hastighed til træ, medium hastighed til finér og syntetisk materiale, og lav hastighed til ikke-jernmetal og til at fjerne maling.

Start og stop

- ◆ Tænd for værktøjet ved at trykke på afbryderen (1).
- ◆ Værktøjet sættes til vedvarende drift ved at trykke på låseknappen (2) og slippe afbryderen.
- ◆ Sluk for værktøjet ved at slippe afbryderen. Sluk for værktøjet, mens det arbejder i vedvarende drift, ved at trykke på afbryderen én gang til og derefter slippe den.

Tømming af støvkassetten (fig. E & G)

Støvkassetten skal tømmes hvert 10. minut, når den er i brug.

- ◆ Flyt støvkassetten (12) bagud og væk fra maskinen.
- ◆ Fjern dækslet (14) ved at dreje det med uret.
- ◆ Hold støvkassetten med filteret (15) vendende nedad, og ryst kassetten for at tømme indholdet ud. Ryst dækslet for at tømme indholdet ud.
- ◆ Sæt dækslet (14) på støvkassetten igen ved at dreje det mod uret, indtil det låses på plads.
- ◆ Sæt støvkassetten på maskinen igen.

Rengøring af støvkassettefilteret

Støvkassettefilteret kan bruges igen og bør renses jævnlige.

- ◆ Tøm støvkassetten (12) som beskrevet ovenfor.
- ◆ Træk filteret (15) af støvkassetten.

Advarsel!

- ◆ Filteret må ikke vrides.
- ◆ Ryst filteret fri for støv ved at slå det ned i en affaldsbeholder.

Advarsel! Der må ikke bruges børster, trykluft eller skarpe genstande til rengøring af filteret. Filteret må ikke vaskes.

- ◆ Sæt filteret på plads igen.
- ◆ Sæt dækslet på igen.
- ◆ Sæt støvkassetten på maskinen igen.

Gode råd til optimalt brug

- ◆ Hold altid værktøjet med begge hænder.
- ◆ Man må ikke udøve for stort tryk på værktøjet.
- ◆ Man skal regelmæssigt checke slibebåndets tilstand. Det skal udskiftes, når det er nødvendigt.
- ◆ Slib altid med årene i træet.
- ◆ Anvend ekstra finkornet slibepapir mellem påføring af nye lag maling.

- ◆ På meget ujævne overflader, eller når man fjerner lag af maling, skal man starte med en grov kornstørrelse. På andre overflader startes der med en mellemfin kornstørrelse. I begge tilfælde skal man gradvist ændre til en fin kornstørrelse for at opnå en glat finish.
- ◆ Få flere oplysninger om tilgængeligt tilbehør hos detailhandleren.

Vedligeholdelse

Værktøjet er beregnet til at være i drift gennem en længere periode med minimal vedligeholdelse. Forsat tilfredsstillende drift afhænger af korrekt behandling af værktøjet samt regelmæssig rengøring.

- ◆ Man skal regelmæssigt rengøre værktøjets ventilationshuller med en blød børste eller en tør klud.
- ◆ Rens med jævne mellemrum motorhuset med en fugtig klud. Der må ikke bruges skuremidler eller opløsningsmidler.

Beskyttelse af miljøet



Separat indsamling. Dette produkt må ikke bortskaffes sammen med almindeligt husholdningsaffald.

Hvis du en dag skal udskifte dit Black & Decker produkt, eller hvis du ikke skal bruge det længere, må du ikke bortskaffe det sammen med husholdningsaffald. Dette produkt skal være tilgængeligt for separat indsamling.



Separat indsamling af brugte produkter og emballage gør det muligt at genbruge materialer. Genbrugte materialer forebygger miljøforurening og nedbringer behovet for råstoffer.

Lokale regler kan give mulighed for separat indsamling af elektriske husholdningsprodukter på kommunale lossepladser eller hos den forhandler, som du købte produktet af.

Black & Decker har en facilitet til indsamling og genbrug af Black & Decker-produkter, når deres levetid er slut.

Få fordelene ved denne service ved at returnere produktet til en autoriseret tekniker, der samler værktøj sammen på vores vegne.

Du kan få oplyst den nærmeste autoriserede tekniker ved at kontakte det lokale Black & Decker-kontor på den adresse, der er angivet i denne brugsanvisning. Alternativt findes der en liste over autoriserede Black & Decker-teknikere og oplysninger om vores eftersalgsservice og kontaktpersoner på Internettet på adressen: www.2helpU.com

Tekniske data

		XTA80EK
Spænding	V_{AC}	230
Motoreffekt	W	750
Båndhastighed	m/min	120 - 250
Slibegrundpladeoverflade	mm	75 x 533
Vægt	kg	3,7

EU overensstemmelseserklæring

XTA80EK

Black & Decker erklærer, at disse produkter er i overensstemmelse med følgende:

98/37/EØF, 89/336/EØF, 2002/95/EØF, EN 60745, EN 55014, EN 61000

L_{pA} (lydtryk) 87 dB(A),

L_{WA} (lydintensitet) 98 dB(A),

hånd/arm vægtes vibration $3,8 \text{ m/s}^2$

K_{pA} (lydtrykussikkerhed): 3 dB(A),

K_{WA} (lydintensitetsikkerhed) 3 dB(A)



Kevin Hewitt
 Director of Consumer Engineering
 Spennymoor, County Durham DL16 6JG,
 Storbritannien
 1-5-2006

- ◆ Produktet har fået skader, der skyldes fremmedelementer, kemikalier eller ulykker;
- ◆ Der er udført reparationer af folk uden autorisation.
- ◆ Produktet er blevet ændret fra de oprindelige specifikationer;
- ◆ Der er brugt upassende tilbehør eller udstyr.

Den udvidede garanti finder ikke anvendelse, hvis:

- ◆ Bevis for købet samt det originale bevis for den udvidede garanti ikke forevises.

Registrer dit produkt online nu på

www.blackanddecker.dk/xt for at blive berettiget til den udvidede garanti (3 år) og blive holdt løbende informeret om nye produkter og særtilbud.

For at udnytte garantien skal bevis for købet indleveres til forhandleren eller til et autoriseret værksted. Du kan få oplyst den nærmeste autoriserede teknikers adresse ved at kontakte det lokale Black & Decker-kontor på den adresse, der er angivet i denne brugsanvisning. Alternativt findes der en liste over autoriserede Black & Decker-teknikere samt oplysninger om vores eftersalgsservice og kontaktpersoner på Internettet på adressen: **www.2helpU.com**

Der findes yderligere oplysninger om mærket Black & Decker og vores produktsortiment på adressen **www.blackanddecker.dk**

Garanti

Black & Decker har tillid til sine produkters kvalitet og tilbyder derfor en fortrinlig garanti. Denne garantierklæring er et supplement til forbrugernes lovlige rettigheder og påvirker ikke disse rettigheder. Garantien gælder inden for Den Europæiske Unions medlemsstater og EFTA-landene.



Hvis et Black & Decker XT produkt (dette gælder ikke for tilbehør, udstyr, batterier, opladere og patroner) bliver defekt på grund af fejlbehæftede materialer eller forkert håndværk, eller ikke opfylder bestemmelserne i loven inden 3 år efter datoen for købet, yder Black & Decker garanti for udskiftning af alle defekte dele og reparation af produkter, der har været udsat for rimelig slitage, eller udskiftning af sådanne produkter, såfremt produktet er registreret på Black & Decker XT garanti- websitet inden 90 dage efter købet. Hvis produktet ikke er registreret, gælder kun standardgarantien (2 år).

Garantien finder ikke anvendelse, hvis:

- ◆ Produktet er blevet brugt til handel, erhverv eller udlejning;
- ◆ Produktet er blevet misbrugt eller forsømt;

Käyttötarkoitus

Black & Deckerin hiomakone on suunniteltu puun, metallin, muovien ja maalipintojen hiomiseen.

Kone on tarkoitettu kotikäyttöön.

Yleiset turvallisuutta koskevat säännöt

Varoitus! Kaikki ohjeet täytyy lukea. Alla olevien ohjeiden noudattamisen laiminlyönti saattaa johtaa sähköiskun, tulipaloon ja/tai vakavaan loukkaantumiseen. Seuraavassa käytetty käsite ”sähkötyökalu” käsittää verkkokäyttöisiä sähkötyökaluja (verkkojohdolla) ja akkukäyttöisiä sähkötyökaluja (ilman verkkojohtoa).
SÄILYTÄ NÄMÄ OHJEET HYVIN.

1. Työalue

a. Pidä työskentelyalue puhtaana ja hyvin valaistuna.

Työpaikan epäjärjestys ja valaisemattomat työalueet voivat johtaa tapaturmiin.

b. Älä työskentele sähkötyökalulla räjähdysalttiissa ympäristössä, jossa on palavaa nestettä, kaasua tai pölyä. Sähkötyökalu muodostaa kipinöitä, jotka saattavat sytyttää pölyn tai höyryt.

c. Pidä lapset ja sivulliset loitolla sähkötyökalua käyttäessäsi. Voit menettää laitteesi hallinnan, huomiosi suuntautuessa muualle.

2. Sähköturvallisuus

a. Sähkötyökalun pistotulpan tulee sopia pistorasiaan. Pistotulppaa ei saa muuttaa millään tavalla.

Älä käytä mitään pistorasia-adaptoreita maadoitettujen sähkötyökalujen kanssa.

Alkuperäisessä kunnossa olevat pistotulpat ja sopivat pistorasiat vähentävät sähköiskun vaaraa.

b. Vältä koskettamasta maadoitettuja pintoja, kuten putkia, pattereita, liesiä tai jääkaappeja.

Sähköiskun vaara kasvaa, jos kehosi on maadoitettu.

c. Älä altista sähkötyökalua sateelle tai kosteudelle. Veden tunkeutuminen sähkötyökalun sisään kasvattaa sähköiskun riskiä.

d. Älä käytä verkkojohtoa väärin. Älä käytä sitä sähkötyökalun kantamiseen, vetämiseen tai pistotulpan irrottamiseen pistorasiasta. Pidä johto loitolla kuumuudesta, öljystä, terävistä reunoista ja liikkuvista osista. Vahingoittuneet tai sotkeutuneet johdot kasvattavat sähköiskun vaaraa.

e. Käyttäessäsi sähkötyökalua ulkona, käytä ainoastaan ulkokäyttöön soveltuvaa jatkojohtoa. Ulkokäyttöön soveltuvan jatkojohdon käyttö pienentää sähköiskun vaaraa.

3. Henkilöturvallisuus

- a. **Ole valpas, kiinnitä huomiota työskentelyysi ja noudata tervettä järkeä sähkötyökalua käyttäessäsi. Älä käytä sähkötyökalua, jos olet väsynyt tai huumeiden, alkoholin tai lääkkeiden vaikutuksen alaisena.** Hetken tarkkaamattomuus sähkötyökalua käytettäessä saattaa johtaa vakavaan loukkaantumiseen.
 - b. **Käytä suojavarusteita. Käytä aina suojalaseja.** Suojavarusteet, kuten pölynsuojanaamari, luistamattomat turvajalkineet, kypärä ja kuulosuojaimet pienentävät, tilanteen mukaan oikein käytettyinä, loukkaantumisriskiä.
 - c. **Vältä sähkötyökalun tahatonta käynnistämistä. Varmista, että kytkin on off-asennossa ennen kytkennän tekemistä.** Onnettomuusvaara lisääntyy, jos kannat sähkötyökalua sormi käyttökimmellä tai kytket työkalun virtajohdon pistorasiaan, kun käyttökytarkin on päällä.
 - d. **Poista kaikki säätötyökalut ja ruuvitalut, ennen kuin käynnistät sähkötyökalun.** Työkalu tai avain, joka sijaitsee laitteen pyöriässä osassa, saattaa johtaa loukkaantumiseen.
 - e. **Älä kurkota. Seiso aina tukevasti ja tasapainossa.** Täten voit paremmin hallita sähkötyökalua odottamattomissa tilanteissa.
 - f. **Käytä tarkoitukseen soveltuvia vaatteita. Älä käytä löysiä työvaatteita tai koruja. Pidä hiukset, vaatteet ja käsinneet loitolla liikkuvista osista.** Väljät vaatteet, korut ja pitkät hiukset voivat takertua liikkuviin osiin.
 - g. **Jos pölynimu- ja keräilylaitteita voidaan asentaa työkaluun, sinun pitää tarkistaa, että ne on liitetty ja että niitä käytetään oikealla tavalla.** Näiden laitteiden käyttö vähentää pölyn aiheuttamia vaaroja.
4. **Sähkötyökalujen käyttö ja hoito**
 - a. **Älä ylikuormita laitetta. Käytä kyseiseen työhön tarkoitettua sähkötyökalua.** Sopivaa sähkötyökalua käyttäen työskentelet paremmin ja varmemmin tehoalueella, jolle sähkötyökalu on tarkoitettu.
 - b. **Älä käytä sähkötyökalua, jota ei voida käynnistää ja pysäyttää virtakytkimestä.** Sähkötyökalu, jota ei enää voida käynnistää ja pysäyttää käynnistyskytkimellä, on vaarallinen ja se täytyy korjata.
 - c. **Irrota pistotulppa pistorasiasta, ennen kuin suoritat säätöjä, vaihdat tarvikkeita tai siirrä sähkötyökalun varastoitavaksi.** Nämä turvatoimenpiteet pienentävät sähkötyökalun tahattoman käynnistysriskin.
 - d. **Säilytä sähkötyökalut poissa lasten ulottuvilta, kun niitä ei käytetä. Älä anna sellaisten henkilöiden käyttää sähkötyökalua, jotka eivät tunne sitä tai jotka eivät ole lukeneet tätä käyttöohjetta.** Sähkötyökalut ovat vaarallisia, jos niitä käyttävät kokemattomat henkilöt.

- e. **Hoida sähkötyökalusi huolella. Tarkista, että liikkuvat osat toimivat moitteettomasti, eivätkä ole puristuksessa ja että työkalussa ei ole murtuneita tai vahingoittuneita osia, jotka saattaisivat vaikuttaa haitallisesti sen toimintaan. Korjautattaa mahdolliset viat ennen käyttöönottoa.** Moni tapaturma aiheutuu huonosti huolletuista laitteista.
- f. **Pidä leikkausterät terävinä ja puhtaina.** Huolellisesti hoidetut leikkaustyökalut, joiden leikkausreunat ovat teräviä, eivät tartu helposti kiinni ja niitä on helpompi hallita.
- g. **Käytä sähkötyökaluja, tarvikkeita, vaihtotyökaluja jne. näiden ohjeiden mukaisesti ja tavalla, joka on tarkoitettu erityisesti kyseiselle sähkötyökalulle. Ota tällöin huomioon työolosuhteet ja suoritettava toimenpide.** Sähkötyökalun käyttö muuhun kuin sille määrättyyn käyttöön, saattaa johtaa vaarallisiin tilanteisiin.
5. **Huolto**
- a. **Anna koulutettujen ammattitaitoisten henkilöiden korjata sähkötyökalusi ja hyväksy korjauksiin vain alkuperäisiä varaosia.** Täten varmistat, että sähkötyökalu säilyy turvallisena.

Lisäturvaohteet hiomakoneelle

- ◆ **Varoitus!** Hiontatyöstä syntyvä pöly voi aiheuttaa terveyshaittoja käyttäjälle ja mahdollisille sivullisille. Käytä erityismuotoitua, pölyltä ja höyryiltä suojaavaa kasvosuojusta. Varmista, että sekä työalueella olevat että sen läheisyyteen saapuvat ihmiset käyttävät suojusta.
- ◆ Poista pöly huolellisesti hiomisen jälkeen.
- ◆ Ole erityisen varovainen hioessasi maalipintoja, jotka voivat sisältää lyijyä, tai puu- tai metallipintoja, jotka voivat erittää myrkyllistä hiomapölyä.
 - Älä anna lasten tai raskaana olevien naisten olla työalueella.
 - Älä syö, juo tai tupakoi työalueella.
 - Hävitä pöly ja muu jäte ympäristöstävällisesti.

Sähköturvallisuus



Tämä laite on kaksoiseristetty; siksi erillistä maadoitusta ei tarvita. Tarkista aina, että virtalähde vastaa arvokilvessä ilmoitettua jännitettä.

Yleiskuvaus

1. Virrankatkaisija
2. Lukitusnappi
3. Portaattoman nopeuden valitsin
4. Säädettävä kahva
5. Kiristysvipu
6. Säädettävä huppu
7. Keskitysnappi
8. Pölynpoistoliitäntä

Kokoaminen

Varoitus! Ennen kokoamista varmista, että kone on pois päältä eikä sitä ole liitetty virtalähteeseen.

Hiomanauhan kiinnitys (kuva A)

Varoitus! Älä koskaan käytä konetta ilman hiomanauhaa.

- ◆ Vedä kiristysvipua (5) ulospäin, kun haluat löysentää hiontanauhaa (9).
- ◆ Irrota vanha hiontanauha.
- ◆ Asenna uusi hiontanauha rullien päälle. Tarkista, että hiontanauhassa oleva nuoli osoittaa samaan suuntaan kuin koneessa oleva nuoli.
- ◆ Vedä kiristysvipua (5) sisään, kun haluat kiristää hiontanauhaa.

Hiomanauhan suunnan säätäminen (kuva B)

Jotta suunta on oikea, hiontanauha on keskitettävä rullien päälle.

- ◆ Kytke työkalu päälle, kun pidät sitä ylösalaisin.
- ◆ Kierrä keskitysnpua (7), kunnes nauha on keskitetty rullien päälle.

Kädensijan säätäminen (kuva C)

Kahva voidaan säätää 3 eri asentoon.

- ◆ Avaa kahva (4) vetämällä lukituskahvaa (10) ulospäin.
- ◆ Säädä kahva haluttuun asentoon.
- ◆ Lukitse kahva työntämällä lukituskahvaa sisään.

Hupun säätäminen pois tieltä (kuva D)

Huppu voidaan säätää olemaan pois tieltä, kun hiotaan ahtaissa tiloissa.

Varoitus! Huppu voidaan säätää pois tieltä vain, kun kahva on yläasennossa.

- ◆ Säädä kahva (4) suoraan yläasentoon.
- ◆ Nosta huppu (6) ylös.
- ◆ Sulje huppu vetämällä liuskaa (11) ensin sivuttain.

Pölykasetin kiinnitys ja poisto (kuva E)

- ◆ Liu'uta pölykasetti (12) pölynpoistoaukon (8) yli.
- ◆ Poista pölykasetti vetämällä sen irti pölynpoiston liitännästä.

Imurin kytkeminen (kuva F)

- ◆ Liu'uta sovitin (13) pölynpoistoaukon (8) yli.
- ◆ Kiinnitä pölynimurin letku liittimeen.

Käyttö

Varoitus! Anna koneen käydä omaan tahtiinsa.

Älä ylikuormita sitä.

Portaaton nopeus

Portaattoman nopeudensäädön avulla voit sovittaa koneen nopeuden työstettävälle materiaalille sopivaksi.

- ◆ Säädä nopeus säätönupista (3). Käytä suurta nopeutta puun hiomiseen, keskinopeutta vanerin ja synteettisten aineiden hiomiseen ja alhaista nopeutta lasin ja ei-rautametallien hiomiseen ja maalien poistamiseen.

Käynnistys ja pysäytys

- ◆ Käynnistä kone painamalla virrankatkaisijaa (1).
- ◆ Lukitaksesi virrankatkaisijan jatkuvaa toimintaa varten paina lukitusnappia (2) ja päästä irti virrankatkaisijasta.
- ◆ Sammuta kone päästämällä irti virrankatkaisijasta. Sammuttaaksesi koneen, jossa on virrankatkaisijan lukitsin päällä, paina virrankatkaisijaa vielä kerran ja päästä siitä irti.

Pölykasetin tyhjentäminen (kuva E & G)

Pölykasetti on tyhjennettävä 10 minuutin välein.

- ◆ Vedä pölykasettia (12) taaksepäin ja poista se koneesta.
- ◆ Poista kansi (14) kiertämällä sitä myötäpäivään.
- ◆ Pidä pölykasettia suodatin (15) alapäin ja ravista sitä, jotta se tyhjentäisi. Tyhjennä pölypusi ravistamalla sitä.
- ◆ Pane pölykasetin kansi (14) takaisin paikalleen kiertämällä sitä vastapäivään, kunnes se lukittuu paikalleen.
- ◆ Laita pölykasetti takaisin työkaluun.

Pölykasetin suodattimen puhdistus.

Pölykasetin suodatinta voidaan käyttää kerta toisensa jälkeen; siksi se on puhdistettava säännöllisesti.

- ◆ Tyhjennä pölykasetti (12) yllä kuvatulla tavalla.
- ◆ Vedä suodatin (15) pölykasetista.

Varoitus! Älä väännä suodatinta.

- ◆ Ravista ylimääräinen pöly pois ravistamalla suodatinta roska-astiassa.

Varoitus! Älä puhdista suodatinta harjaamalla, paineilmalla tai terävillä esineillä. Älä pese suodatinta.

- ◆ Aseta suodatin takaisin paikalleen.
- ◆ Aseta kansi takaisin paikalleen.
- ◆ Laita pölykasetti takaisin työkaluun.

Vinkkejä parhaimman tuloksen saamiseksi

- ◆ Pidä koneesta aina kiinni kahdella kädellä.
- ◆ Älä paina konetta liikaa.
- ◆ Tarkista hiomanauhan kunto säännöllisesti. Vaihda se tarvittaessa.
- ◆ Hio aina puun syiden mukaisesti.
- ◆ Hiottaessa maalikerrosten välillä käytä erittäin hienoa hiomapaperia.
- ◆ Aloita karkealla hiomapaperilla hioessasi epätasaisia pintoja tai poistaessasi maalia. Kun hiot muunlaisia pintoja, aloita keskikarkealla hiomapaperilla.

Molemmissa tapauksissa vaihda asteittain hienompaan hiomapaperiin tasaisen pinnan saamiseksi.

- ◆ Saat lisätietoja saatavilla olevista tarvikkeista jälleenmyyjältäsi.

Huolto

Kone on suunniteltu toimimaan mahdollisimman pitkän aikaa mahdollisimman vähällä huollolla. Oikealla huollolla ja säännöllisellä puhdistuksella kone säilyttää suorituskykynsä.

- ◆ Puhdista työkalun ilma-aukot säännöllisesti pehmeällä harjalla tai kuivalla rievulla.
- ◆ Puhdista työkalun kuori säännöllisesti kostealla siivousliinalla. Älä koskaan käytä puhdistamiseen liuotinaiteita tai syövyttäviä puhdistusaineita.

Ympäristö



Erillinen keräys. Tätä tuotetta ei saa hävittää normaalin kotitalousjätteen kanssa.

Kun Black & Decker -koneesi on käytetty loppuun, älä hävitä sitä kotitalousjätteen mukana. Tämä tuote on kerättävä erikseen.



Käytettyjen tuotteiden ja pakkausten erillinen keräys mahdollistaa materiaalin kierrätyksen ja uudelleenkäytön. Kierrätettyjen materiaalien uudelleenkäyttö auttaa ehkäisemään ympäristön saastumisen ja vähentää raaka-aineiden kysyntää.

Paikallisten säännösten mukaisesti on mahdollista viedä kotitalouksien sähkölaitteet kuntien kaatopaikoille tai jättää ne vähittäismyyjälle ostettaessa uusi tuote.

Black & Decker tarjoaa mahdollisuuden Black & Decker –tuotteiden keräykseen ja kierrätykseen sen jälkeen, kun ne on poistettu käytöstä. Jotta voisit hyötyä tästä palvelusta, palauta laitteesi johonkin valtuutettuun huoltoliikkeeseen, joka kerää laitteet meidän puolestamme.

Voit tarkistaa lähimmän valtuutetun huoltoliikkeen sijainnin ottamalla yhteyden Black & Deckerin toimistoon, joka sijaitsee tässä käsikirjassa annetussa osoitteessa. Lista valtuutetuista Black & Decker -huoltoliikkeistä sekä yksityiskohtaiset tiedot korjauspalvelustamme ovat vaihtoehtoisesti saatavilla Internetissä, osoitteessa www.2helpU.com

Tekniset tiedot

		XTA80EK
Jännite	V_{AC}	230
Ottoteho	W	750
Nauhanopeus	m/min	120 - 250
Hioma-alustan pinta	mm	75 x 533
Paino	kg	3,7

EU:n yhdenmukaisuusilmoitus

XTA80EK

Black & Decker vakuuttaa näiden tuotteiden olevan seuraavien standardien vaatimusten mukaisia:

98/37/EC, 89/336/EEC, 2002/95/EC, EN 60745, EN 55014, EN 61000

L_{PA} (äänenpaine) 87 dB(A),

L_{WA} (akustinen teho) 98 dB(A),

käden/käsivarren painotettu värinä 3,8 m/s²

K_{PA} (äänenpaineen epävarmuus): 3 dB(A),

K_{WA} (akustisen tehon epävarmuus) 3 dB(A)



Kevin Hewitt

Director of Consumer Engineering
Spennymoor, County Durham DL16 6JG,

Iso-Britannia

1-5-2006

Takuu

Black & Decker luottaa tuotteidensa laatuun ja tarjoaa erinomaisen takuun. Tämä takuu on ylimääräinen eikä vaikuta millään tavalla lakisääteisiin oikeuksiisi. Takuu on voimassa Euroopan unionin jäsenvaltioiden alueella ja Euroopan vapaakauppa-alueen sisällä.



Jos Black & Deckerin XT –tuotteeseen (lukuun ottamatta varusteita, lisälaitteita, akkuja, latureita ja istukoita) tulee vika viallisten materiaalien, valmistusvirheen tai yhdenmukaisuuden puutteen vuoksi kolmen vuoden kuluessa tuotteen hankinnasta, Black & Decker vaihtaa kaikki vialliset osat uusiin, korjaa tuotteen, joka on kulunut normaalisti käytössä tai vaihtaa tuotteen uuteen, mikäli tuote on rekisteröity Black & Deckerin XT –takuuverkkosivulla 90 päivän kuluessa sen hankinnasta. Jos tuotetta ei ole rekisteröity, vain standarditakuu (2 vuotta) on voimassa.

Takuu ei ole voimassa, mikäli:

- ◆ Tuotetta on käytetty myynti-, ammattimaisiin tai vuokraustarkoituksiin;
- ◆ Tuotetta on käytetty väärin tai huolimattomasti;

- ◆ Tuote on vahingoittunut vieraiden esineiden, aineiden tai onnettomuuksien vaikutuksesta;
- ◆ Muut kuin valtuutetut henkilöt ovat suorittaneet korjauksen;
- ◆ Tuotteeseen on tehty muutoksia, jotka eivät ole sen alkuperäisen käyttötarkoituksen mukaisia
- ◆ Tuotteen kanssa on käytetty varusteita tai lisälaitteita, jotka eivät ole sopivia.

Laajennettu takuu ei ole voimassa, mikäli:

- ◆ ostokuittia tai alkuperäistä laajennetun takuun todistusta ei voida esittää.

Rekisteröi tuotteesi nyt osoitteessa

www.blackanddecker.fi/xt, jotta laajennettu takuu (3 vuotta) astuisi voimaan ja jotta saisit tietoja uusista tuotteista ja erikoistarjouksista.

Kun haet korvausta takuun perusteella, sinun on toimitettava tuotteen ostokuitti myyjälle tai valtuutettuun huoltoliikkeeseen. Voit tarkistaa lähimmän valtuutetun huoltoliikkeen sijainnin ottamalla yhteyden Black & Deckerin toimistoon, joka sijaitsee tässä käsimkirjassa annetussa osoitteessa. Lista valtuutetuista Black & Decker -huoltoliikkeistä sekä yksityiskohtaiset tiedot korjauspalvelustamme ovat vaihtoehtoisesti saatavilla Internetissä, osoitteessa **www.2helpU.com**

Saat lisätietoja Black & Deckerin tavaramerkistä ja tuotevalikoimastamme osoitteesta **www.blackanddecker.fi**

Ενδεδειγμένη χρήση

Το τριβείο σας της Black & Decker έχει σχεδιαστεί για τη λείανση ξύλου, μετάλλου, πλαστικών και βαμμένων επιφανειών. Αυτό το εργαλείο προορίζεται μόνο για ερασιτεχνική χρήση.

Γενικοί κανόνες ασφαλείας

Προειδοποίηση! Διαβάστε όλες τις υποδείξεις. Η μη τήρηση όλων των παρακάτω υποδείξεων μπορεί να προκαλέσει ηλεκτροπληξία, πυρκαγιά ή/και σοβαρούς τραυματισμούς. Ο χαρακτηρισμός “ηλεκτρικό εργαλείο” που χρησιμοποιείται στις παρακάτω προειδοποιητικές υποδείξεις αφορά ή το εργαλείο που συνδέεται στην πρίζα (με καλώδιο) ή το εργαλείο που λειτουργεί με μπαταρία (χωρίς καλώδιο). ΦΥΛΑΞΤΕ ΑΥΤΕΣ ΤΙΣ ΟΔΗΓΙΕΣ.

1. Χώρος εργασίας

- a. **Διατηρείτε το χώρο που εργάζεστε καθαρό και καλά φωτισμένο.** Η αταξία στο χώρο που εργάζεστε και τα σημεία χωρίς καλό φωτισμό μπορεί να οδηγήσουν σε ατυχήματα.
6. **Μη χρησιμοποιείτε τα ηλεκτρικά εργαλεία σε περιβάλλον όπου υπάρχει κίνδυνος έκρηξης, π.χ. παρουσία εύφλεκτων υγρών, αερίων ή σκόνης.** Τα ηλεκτρικά εργαλεία μπορεί να δημιουργήσουν σπινθηρισμό ο οποίος μπορεί να αναφλέξει τη σκόνη ή τις αναθυμιάσεις.
- γ. **Όταν χρησιμοποιείτε το ηλεκτρικό εργαλείο, κρατάτε τα παιδιά και τα υπόλοιπα άτομα μακριά από το χώρο που εργάζεστε.** Σε περίπτωση που άλλα άτομα αποσπάσουν την προσοχή σας μπορεί να χάσετε τον έλεγχο του μηχανήματος.

2. Ασφαλής χρήση του ηλεκτρικού ρεύματος

- a. **Το φως του καλωδίου του ηλεκτρικού εργαλείου πρέπει να ταιριάζει στην αντίστοιχη πρίζα. Δεν επιτρέπεται με κανένα τρόπο η μετασκευή του φως. Μη χρησιμοποιείτε προσαρμοστικά φως στα γειωμένα ηλεκτρικά εργαλεία.** Τα φως που δεν έχουν υποστεί τροποποιήσεις και οι κατάλληλες πρίζες μειώνουν τον κίνδυνο ηλεκτροπληξίας.
6. **Αποφεύγετε την επαφή του σώματός σας με γειωμένες επιφάνειες όπως σωλήνες, θερμοανκιά σώματα (καλοριφέρ), κουζίνες και ψυγεία.** Όταν το σώμα σας είναι γειωμένο, αυξάνεται ο κίνδυνος ηλεκτροπληξίας.
- γ. **Μην εκθέτετε το ηλεκτρικό εργαλείο στη βροχή ή την υγρασία.** Η δεισδυση νερού στο ηλεκτρικό εργαλείο αυξάνει τον κίνδυνο ηλεκτροπληξίας.
- δ. **Μην κακομεταχειρίζεστε το καλώδιο. Μη χρησιμοποιήσετε ποτέ το καλώδιο για να μεταφέρετε, να τραβήξετε ή να αποσυνδέσετε το εργαλείο από την πρίζα. Κρατάτε το καλώδιο μακριά από υψηλές θερμοκρασίες, λάδια, κοφτερές ακμές ή κινούμενα εξαρτήματα.** Τυχόν χαλασμένα ή μπερδεμένα καλώδια αυξάνουν τον κίνδυνο ηλεκτροπληξίας.
- ε. **Όταν χρησιμοποιείτε το ηλεκτρικό εργαλείο σε εξωτερικούς χώρους, να χρησιμοποιείτε πάντοτε προεκτάσεις (μπαλαντέζες) που έχουν εγκριθεί για χρήση σε εξωτερικούς χώρους.** Η χρήση προεκτάσεων εγκριμένων για εργασία σε εξωτερικούς χώρους μειώνει τον κίνδυνο ηλεκτροπληξίας.

3. Ασφάλεια προσώπων

- a. **Όταν χρησιμοποιείτε το ηλεκτρικό εργαλείο, να είστε προσεκτικοί, να δίνετε προσοχή στην εργασία που κάνετε και να επιστρατεύετε την κοινή λογική. Μη χρησιμοποιείτε το ηλεκτρικό εργαλείο όταν είστε κουρασμένοι ή όταν βρίσκεστε υπό την επήρεια ναρκωτικών, οινοπνεύματος ή φαρμάκων.** Μια στιγμιαία απροσεξία κατά το χειρισμό του ηλεκτρικού εργαλείου μπορεί να οδηγήσει σε σοβαρούς τραυματισμούς.
6. **Να χρησιμοποιείτε εξοπλισμό ασφαλείας. Να φοράτε πάντα προστατευτικά γυαλιά.** Ο κίνδυνος τραυματισμών μειώνεται όταν χρησιμοποιείτε εξοπλισμό ασφαλείας, όπως μάσκα προστασίας από σκόνη, αντιολισθητικά παπούτσια ασφαλείας, κράνη ή ωτασπίδες, ανάλογα με τις συνθήκες εργασίας.
- γ. **Αποφεύγετε την αθέλητη θέση σε λειτουργία του ηλεκτρικού εργαλείου. Βεβαιωθείτε, ότι ο διακόπτης λειτουργίας βρίσκεται στη θέση “OFF” πριν συνδέσετε το ηλεκτρικό εργαλείο στην πρίζα.** Αν μεταφέρετε το ηλεκτρικό εργαλείο έχοντας το δάκτυλό σας πάνω στο διακόπτη λειτουργίας ή αν συνδέσετε το ηλεκτρικό εργαλείο στην πρίζα όταν ο διακόπτης λειτουργίας βρίσκεται στη θέση “ON”, αυτό μπορεί να οδηγήσει σε σοβαρούς τραυματισμούς.
- δ. **Πριν θέσετε το ηλεκτρικό εργαλείο σε λειτουργία, αφαιρέστε τυχόν εργαλεία ή κλειδιά ρύθμισης.** Ένα εργαλείο ή κλειδί συναρμολογημένο στο περιστρεφόμενο εξάρτημα ενός ηλεκτρικού εργαλείου μπορεί να προκαλέσει τραυματισμούς.
- ε. **Μην τεντώνεστε. Φροντίστε πάντοτε να έχετε την κατάλληλη στάση και να διατηρείτε την ισορροπία σας.** Αυτό σας επιτρέπει τον καλύτερο έλεγχο του ηλεκτρικού εργαλείου σε περιπτώσεις απροσδόκτων καταστάσεων.
- στ. **Φοράτε κατάλληλη ενδυμασία εργασίας. Μη φοράτε φαρδιά ρούχα ή κοσμήματα. Κρατάτε τα μαλλιά, τα ενδύματα και τα γάντια σας μακριά από τα κινούμενα εξαρτήματα.** Τα φαρδιά ρούχα, τα κοσμήματα και τα μαλλιά μπορεί να εμπλακούν στα κινούμενα εξαρτήματα.
- ζ. **Αν προβλέπονται διατάξεις απαγωγής και συλλογής της σκόνης, βεβαιωθείτε ότι είναι συνδεδεμένες και ότι χρησιμοποιούνται σωστά.** Η χρήση τέτοιων διατάξεων μειώνει τους κινδύνους που προέρχονται από τη σκόνη.

4. Χρήση και συντήρηση του ηλεκτρικού εργαλείου
- α. **Μην υπερφορτώνετε το ηλεκτρικό εργαλείο.**
Χρησιμοποιείτε για την εκάστοτε εργασία σας το **ηλεκτρικό εργαλείο που προορίζεται γι' αυτήν**. Με το κατάλληλο ηλεκτρικό εργαλείο εργάζεσθε καλύτερα και ασφαλέστερα στην ονομαστική περιοχή ισχύος του.
- β. **Μη χρησιμοποιήσετε ποτέ ένα ηλεκτρικό εργαλείο του οποίου ο διακόπτης λειτουργίας είναι χαλασμένος.**
Ένα ηλεκτρικό εργαλείο του οποίου η λειτουργία δεν μπορεί να ελεγχθεί με το διακόπτη είναι επικίνδυνο και πρέπει να επισκευαστεί.
- γ. **Βγάλτε το φως από την πρίζα πριν διεξάγετε κάποια εργασία ρύθμισης στο ηλεκτρικό εργαλείο, πριν αλλάξετε κάποιο εξάρτημα ή όταν πρόκειται να το αποθηκεύσετε.**
Αυτά τα προληπτικά μέτρα ασφαλείας μειώνουν τον κίνδυνο να τεθεί το μηχάνημα αθέλητα σε λειτουργία.
- δ. **Να φυλάτε τα ηλεκτρικά εργαλεία που δεν χρησιμοποιείτε μακριά από παιδιά. Μην αφήνετε άτομα που δεν είναι εξοικειωμένα με το ηλεκτρικό εργαλείο ή που δεν έχουν διαβάσει αυτές τις οδηγίες χρήσης να το χρησιμοποιήσουν.** Τα ηλεκτρικά εργαλεία είναι επικίνδυνα όταν χρησιμοποιούνται από άπειρα άτομα.
- ε. **Να συντηρείτε τα ηλεκτρικά εργαλεία. Ελέγξτε εάν τα κινούμενα μέρη είναι σωστά ευθυγραμμισμένα ή αν έχουν μπλοκάρει, εάν έχουν σπάσει κομμάτια και εάν πληρούνται όλες οι υπόλοιπες συνθήκες που ενδεχομένως να επηρεάσουν τη σωστή λειτουργία του εργαλείου. Δώστε τυχόν χαλασμένα εξαρτήματα του ηλεκτρικού εργαλείου για επισκευή πριν το χρησιμοποιήσετε πάλι.**
Η ανεπαρκής συντήρηση των ηλεκτρικών εργαλείων αποτελεί αιτία πολλών ατυχημάτων.
- στ. **Διατηρείτε τα κοπτικά εργαλεία κοφτερά και καθαρά.**
Τα κοπτικά εργαλεία με αιχμηρά κοπτικά άκρα που συντηρούνται σωστά έχουν λιγότερες πιθανότητες να μπλοκάρουν και ελέγχονται ευκολότερα.
- ζ. **Να χρησιμοποιείτε τα ηλεκτρικά εργαλεία, τα εξαρτήματα και τα άκρα των εργαλείων κλπ σύμφωνα με τις παρούσες οδηγίες καθώς και όπως προβλέπεται για τον κάθε τύπο μηχανήματος, λαμβάνοντας υπόψη σας τις συνθήκες εργασίας και την εργασία που θέλετε να εκτελέσετε.**
Η χρήση του ηλεκτρικού εργαλείου για άλλες εκτός από τις προβλεπόμενες εργασίες μπορεί να δημιουργήσει επικίνδυνες καταστάσεις.
5. Σέρβις
- α. **Το σέρβις του ηλεκτρικού σας εργαλείου πρέπει να αναλαμβάνει έμπειρος τεχνικός που θα χρησιμοποιεί μόνο γνήσια ανταλλακτικά.** Ετσι εξασφαλίζεται η διατήρηση της ασφάλειας του ηλεκτρικού εργαλείου.

Συμπληρωματικές οδηγίες ασφαλείας για τριβεία

- ◆ **Προειδοποίηση!** Η επαφή με την σκόνη που σηκώνεται από τις εφαρμογές λείανσης ή η εισπνοή της μπορεί να βάλει σε κίνδυνο τη ζωή του χειριστή και των πιθανών παρευρισκόμενων. Φορέστε μάσκα σκόνης ειδικά σχεδιασμένη για προστασία έναντι της σκόνης και των αναθυμιάσεων από χρώματα με μόλυβδο και βεβαιωθείτε ότι τα άτομα που βρίσκονται, ή εισέρχονται, στο χώρο εργασίας είναι επίσης προστατευμένα.
- ◆ Μετά τη λείανση, καθαρίστε καλά τη σκόνη.
- ◆ Να προσέχετε ιδιαίτερα κατά τη λείανση χρωμάτων, τα οποία ενδέχεται να έχουν ως βάση τον μόλυβδο ή κατά τη λείανση ορισμένων ειδών ξύλου και μετάλλου, τα οποία ενδέχεται να παράγουν τοξική σκόνη:
 - Μην επιτρέπετε σε παιδιά ή εγκύους να εισέρχονται στο χώρο εργασίας.
 - Μην τρώτε, πίνετε ή καπνίζετε στο χώρο εργασίας.
 - Αφαιρέστε όλα τα σωματίδια της σκόνης και τα άλλα υπολείμματα.

Ασφαλής χρήση του ηλεκτρικού ρεύματος



Αυτό το εργαλείο φέρει διπλή μόνωση, επομένως δεν απαιτείται σύρμα γείωσης. Ελέγχετε πάντοτε αν η τάση τροφοδοσίας αντιστοιχεί σε αυτήν που αναγράφεται στην πινακίδα σταχείων του εργαλείου.

Χαρακτηριστικά

1. Διακόπτης on/off
2. Πλήκτρο ασφάλισης
3. Κομπι ρύθμισης ταχύτητας
4. Ρυθμιζόμενη λαβή
5. Μοχλός πίεσης
6. Αφαιρέσιμο κάλυμμα
7. Κομπι κεντραρίσματος
8. Εξοδος σκόνης

Συναρμολογηση

Προειδοποίηση! Πριν από τη συναρμολόγηση, βεβαιωθείτε ότι το εργαλείο είναι ορθό και ότι το φως του δεν είναι στην πρίζα.

Τοποθέτηση μάντα γυαλόχαρτου (εικ. Α)

Προειδοποίηση! Ποτέ μη χρησιμοποιείτε το εργαλείο χωρίς να έχετε τοποθετήσει μάντα γυαλόχαρτου.

- ◆ Τραβήξτε τον μοχλό πίεσης (5) προς τα έξω για να χαλαρώσετε την πίεση στον μάντα γυαλόχαρτου (9).
- ◆ Αφαιρέστε τον παλιό μάντα γυαλόχαρτου.
- ◆ Τοποθετήστε έναν καινούργιο μάντα γυαλόχαρτου επάνω στους κύλινδρους. Βεβαιωθείτε ότι το βέλος στον μάντα γυαλόχαρτου δείχνει την ίδια κατεύθυνση με το βέλος στο εργαλείο.

- ◆ Σπρώξτε τον μοχλό πίεσης (5) μπροστά για να τεντώστε τον μάντα γυαλόχαρτου.

Ρυθμίστε την ευθυγράμμιση του μάντα λείανσης (εικ. Β)

Για να έχετε σωστή ευθυγράμμιση, ο μάντας γυαλόχαρτου πρέπει να είναι κεντραρισμένος πάνω στους κύλινδρους.

- ◆ Ενεργοποιείτε το εργαλείο κρατώντας τον ανάποδα.
- ◆ Γυρίστε το μπουτόν κεντραρίσματος (7) όσο χρειάζεται μέχρι η ευθυγράμμιση του μάντα να είναι κεντραρισμένη επάνω στους κύλινδρους.

Ρύθμιση της λαβής (εικ. C)

Η λαβή μπορεί να ρυθμιστεί σε 3 θέσεις.

- ◆ Ξεκλειδώστε τη λαβή (4) τραβώντας τη λαβή κλειδώματος (10) προς τα έξω.
- ◆ Ρυθμίστε τη λαβή σε όποια θέση θέλετε.
- ◆ Κλειδώστε τη λαβή πατώντας μπροστά τη λαβή κλειδώματος.

Μάζεμα του κάλυμματος (εικ. D)

Το κάλυμμα μπορεί να μαζευτεί για λείανσεις σε δυσπρόσιτα σημεία.

Προειδοποίηση! Το κάλυμμα μπορεί να μαζευτεί μόνο όταν η ρυθμιζόμενη λαβή βρίσκεται στην άνω θέση.

- ◆ Ρυθμίστε τη λαβή (4) στην άνω θέση.
- ◆ Σηκώστε το κάλυμμα (6).
- ◆ Για να κλείσετε το κάλυμμα, στην αρχή τραβήξτε πλαγίως τη γλωσσίδα (11).

Τοποθέτηση και αφαίρεση της κασέτας συλλογής σκόνης (εικ. E)

- ◆ Ολισθήστε την κασέτα συλλογής σκόνης (12) πάνω στην έξοδο σκόνης (8).
- ◆ Για να αφαιρέσετε τη κασέτα συλλογής σκόνης, τραβήξτε την έξω από την έξοδο.

Σύνδεση ηλεκτρικής σκούπας (εικ. F)

- ◆ Ολισθήστε τον προσαρμογέα (13) στην έξοδο σκόνης (8).
- ◆ Συνδέστε το σωλήνα της ηλεκτρικής σκούπας στον προσαρμογέα.

Χρήση

Προειδοποίηση! Αφήστε το εργαλείο να λειτουργήσει με το δικό του ρυθμό. Μην το υπερφορτώνετε.

Ελεγχος μεταβλητής ταχύτητας

Η ρύθμιση ταχύτητων σας επιτρέπει να προσαρμόσετε την ταχύτητα του εργαλείου με το υλικό τεμαχίου εργασίας.

- ◆ Ρυθμίστε το κουμπί ελέγχου (3) στην επιθυμητή θέση. Χρησιμοποιήστε υψηλή ταχύτητα για χρήση σε ξύλο, μέση ταχύτητα για χρήση σε καπλαμά και συνθετικά, και χαμηλή ταχύτητα για χρήση σε μη σιδηρούχα μέταλλα και για την αφαίρεση βαφής.

Θέση εντός και εκτός λειτουργίας

- ◆ Για να θέσετε σε λειτουργία το εργαλείο, πατήστε το διακόπτη on/off (1).
- ◆ Για διαρκή λειτουργία, πατήστε το κουμπί ασφάλισης (2) και απελευθερώστε τον διακόπτη on/off.
- ◆ Για να θέσετε το εργαλείο εκτός λειτουργίας, αφήστε το διακόπτη on/off. Για να σβήσετε το εργαλείο όταν βρίσκεται σε κατάσταση συνεχόμενης λειτουργίας, πατήστε μία φορά το διακόπτη on/off και ύστερα αφήστε τον.

Αδειασμα της κασέτας συλλογής σκόνης (εικ. E - G)

Πρέπει να αδειάζετε την κασέτα συλλογής σκόνης μετά από κάθε 10 λεπτά χρήσης.

- ◆ Αφαιρέστε την κασέτα συλλογής σκόνης (12) στο πίσω μέρος του εργαλείου.
- ◆ Βγάλτε το κάλυμμα (14) στρέφοντας δεξιόστροφα.
- ◆ Κρατήστε την κασέτα συλλογής σκόνης με το φίλτρο (15) στραμμένο προς τα κάτω και πινάξτε την κασέτα συλλογής σκόνης για να αδειάσει το περιεχόμενο της. Ανακινήστε το κάλυμμα για να αδειάσει.
- ◆ Επανατοποθετήστε το κάλυμμα (14) στη κασέτα συλλογής σκόνης, στρέφοντας το αριστερόστροφα μέχρι να κλειδωθεί.
- ◆ Επανατοποθετήστε την κασέτα συλλογής σκόνης στο εργαλείο.

Καθαρισμός του φίλτρου της κασέτας συλλογής σκόνης

Το φίλτρο της κασέτας σκόνης μπορεί να ξαναχρησιμοποιηθεί και θα πρέπει να καθαρίζεται τακτικά.

- ◆ Αδειάστε την κασέτα σκόνης (12) όπως περιγράφεται παραπάνω.
- ◆ Βγάλτε το φίλτρο (15) από την κασέτα.

Προειδοποίηση! Μην στρέφετε το φίλτρο.

- ◆ Πινάξτε την περίσσεια της σκόνης, κτυπώντας ελαφρά το φίλτρο μέσα σε έναν σκουπιδοτενεκέ.

Προειδοποίηση! Μην βουρτσίζετε ή μη χρησιμοποιείτε αέρα υπό πίεση ή αυχμηρά αντικείμενα για να καθαρίσετε το φίλτρο. Μην πλένετε το φίλτρο.

- ◆ Τοποθετήστε ξανά το φίλτρο.
- ◆ Επανατοποθετήστε το κάλυμμα.
- ◆ Επανατοποθετήστε την κασέτα συλλογής σκόνης στο εργαλείο.

Συμβουλές για άριστη χρήση

- ♦ Πάντα να κρατάτε το εργαλείο και με τα δυο χέρια.
- ♦ Μην ασκείτε μεγάλη πίεση στο εργαλείο.
- ♦ Να ελέγχετε τακτικά την κατάσταση του ψάντα λείανσης. Να το αντικαθιστάτε όταν το κρινετε απαραίτητο.
- ♦ Να λειαίνετε πάντα σύμφωνα με τη φορά των "νερών" του ξύλου.
- ♦ Όταν λειαίνετε νέα στρώματα βαφής πριν να χρησιμοποιήσετε άλλη βαφή, χρησιμοποιήστε πολύ ψιλό γυαλόχαρτο.
- ♦ Σε πολύ ανώμαλες επιφάνειες, ή όταν αφαιρείτε στρώματα βαφής, ξεκινήστε με χοντρό γυαλόχαρτο. Σε άλλες επιφάνειες, χρησιμοποιήστε γυαλόχαρτο μέσου μεγέθους κόκκου. Και στις δυο περιπτώσεις, αλλάξτε σταδιακά σε ψιλότερο γυαλόχαρτο για να είναι λεία η επιφάνεια μετά την επεξεργασία.
- ♦ Συμβουλευτείτε τον έμπορό σας για περισσότερες πληροφορίες σχετικά με τα διαθέσιμα αξεσουάρ.

Συντήρηση

Αυτό το εργαλείο έχει σχεδιαστεί έτσι ώστε να λειτουργεί για μεγάλο χρονικό διάστημα με την ελάχιστη δυνατή συντήρηση. Η αδιάλειπτη και κανονική λειτουργία του εργαλείου εξαρτάται από τη φροντίδα και τον τακτικό καθαρισμό.

- ♦ Να καθαρίζετε τακτικά τις εγχοπές εξαερισμού του εργαλείου σας χρησιμοποιώντας μαλακή βούρτσα ή στεγνό πανί.
- ♦ Να καθαρίζετε τακτικά το περιβλήμα του μοτέρ χρησιμοποιώντας ένα υγρό πανί. Μη χρησιμοποιείτε αποξεστικά καθαριστικά ή υγρά καθαρισμού που περιέχουν διαλύτες.

Διάθεση εργαλείων και περιβάλλον

Ξεχωριστή συλλογή. Αυτό το προϊόν δεν πρέπει να απορριφθεί με συνηθισμένα σπτικά απορρίμματα.

Εάν κάποια μέρα διαπιστώσετε ότι το προϊόν σας Black & Decker χρειάζεται αντικατάσταση ή δεν σας χρησιμεύει πλέον, μην το απορρίψετε με τα σπτικά απορρίμματα. Κάντε αυτό το προϊόν διαθέσιμο για ξεχωριστή συλλογή.



Η ξεχωριστή συλλογή χρησιμοποιημένων προϊόντων και συσκευασιών επιτρέπει την ανακύκλωση υλικών. Η επανάχρηση ανακυκλωμένων υλικών βοηθάει την προστασία του περιβάλλον και μειώνει την ζήτηση για σπάνια υλικά.

Οι τοπικοί κανονισμοί μπορεί να παρέχουν ξεχωριστή συλλογή ηλεκτρικών προϊόντων από κατοικίες, δημοτικές τοποθεσίες απορριμμάτων ή από τον έμπορα όταν αγοράσατε το καινούργιο προϊόν.

Η Black & Decker δίνει τη δυνατότητα συλλογής και ανακύκλωσης των προϊόντων της που έχουν συμπληρώσει τη διάρκεια ζωής τους. Αν θέλετε να χρησιμοποιήσετε την εν λόγω υπηρεσία, επιστρέψτε το προϊόν σας σε οποιοδήποτε εξουσιοδοτημένο κέντρο επισκευών, όπου θα το παραλάβουν εκ μέρους σας.

Ενημερωθείτε για το πλησιέστερο κέντρο επισκευών της περιοχής σας, επικοινωνώντας με τα γραφεία της Black & Decker στη διεύθυνση που αναγράφεται στο εγχειρίδιο. Επίσης, για να πληροφορηθείτε τα εξουσιοδοτημένα κέντρα επισκευών της Black & Decker και τις λεπτομέρειες και τους αρμόδιους των υπηρεσιών που παρέχονται μετά την πώληση, μπορείτε να ανατρέξετε στο Διαδίκτυο στη διεύθυνση: www.2helpU.com

Τεχνικά χαρακτηριστικά

	ΧΤΑ80ΕΚ	
Τάση	V _{AC}	230
Ισχύς εισόδου	W	750
Ταχύτητα μάντα	m/min	120 - 250
Επιφάνεια της βάσης λείανσης	mm	75 x 533
Βάρος	kg	3,7

Δήλωση συμμόρφωσης με την Ευρωπαϊκή Κοινότητα

ΧΤΑ80ΕΚ

Η Black & Decker δηλώνει ότι τα προϊόντα αυτά συμμορφώνονται με:

98/37/EOK, 89/336/EOK, 2002/95/EOK, EN 60745, EN 55014, EN 61000

L_{PA} (πίεση ήχου) 87 dB(A),

L_{WA} (ακουστική ισχύς) 98 dB(A),

χειροβραχιονική δόνηση 3,8 m/s²

K_{PA} (αβεβαιότητα πίεσης ήχου): 3 dB(A),

K_{WA} (αβεβαιότητα ακουστικής ισχύς) 3 dB(A)

Kevin Hewitt
Διευθυντής Εξυπηρέτησης Πελατών
Spennymoor, County Durham DL16 6JG,

Αγγλία
1-5-2006

Εγγύηση

Η Black & Decker είναι σίγουρη για την ποιότητα των προϊόντων της και παρέχει σημαντική εγγύηση. Η παρούσα γραπτή εγγύηση αποτελεί πρόσθετο δικαίωμά σας και δεν ζημιώνει τα συνταγματικά σας δικαιώματα. Η εγγύηση ισχύει εντός της επικράτειας των Κρατών Μελών της Ευρωπαϊκής Ένωσης και της Ευρωπαϊκής Ζώνης Ελευθέρων Συναλλαγών.



Σε περίπτωση που κάποιο προϊόν Black & Decker XT (εκτός τα αξεσουάρ, εξαρτήματα, μπαταρίες, φορτιστές και τσοκ) παρουσιάσει βλάβη εξαιτίας ελαττωματικών υλικών, ποιότητας εργασίας ή έλλειψης συμφωνίας με τις προδιαγραφές εντός 3 χρόνων από την ημερομηνία αγοράς, η Black & Decker εγγυάται την αντικατάσταση των ελαττωματικών τμημάτων, την επισκευή προϊόντων που έχουν υποστεί εύλογη φθορά λόγω χρήσης ή την αντικατάσταση των προϊόντων υπό την προϋπόθεση ότι το προϊόν έχει καταχωρηθεί στην ιστοσελίδα εγγύησης της Black & Decker XT έως 90 ημέρες από την ημερομηνία αγοράς.

Αν το προϊόν δεν έχει καταχωρηθεί, τότε ισχύει μόνο η βασική εγγύηση (2 χρόνων).

Η εγγύηση δεν ισχύει αν:

- ◆ Το προϊόν έχει χρησιμοποιηθεί σε εργασιακό, επαγγελματικό περιβάλλον ή αν έχει ενοικιαστεί
- ◆ Έχει γίνει εσφαλμένη χρήση του προϊόντος ή αν έχει παραμεληθεί
- ◆ Το προϊόν έχει υποστεί βλάβη από άλλα αντικείμενα, από ουσίες ή λόγω ατυχήματος
- ◆ Οι επισκευές έχουν επιχειρηστεί από μη εξουσιοδοτημένα πρόσωπα;
- ◆ Το προϊόν έχει προσαρμοστεί με οποιοδήποτε τρόπο από τις γνήσιες προδιαγραφές.
- ◆ Έχουν χρησιμοποιηθεί ακατάλληλα αξεσουάρ ή εξαρτήματα.

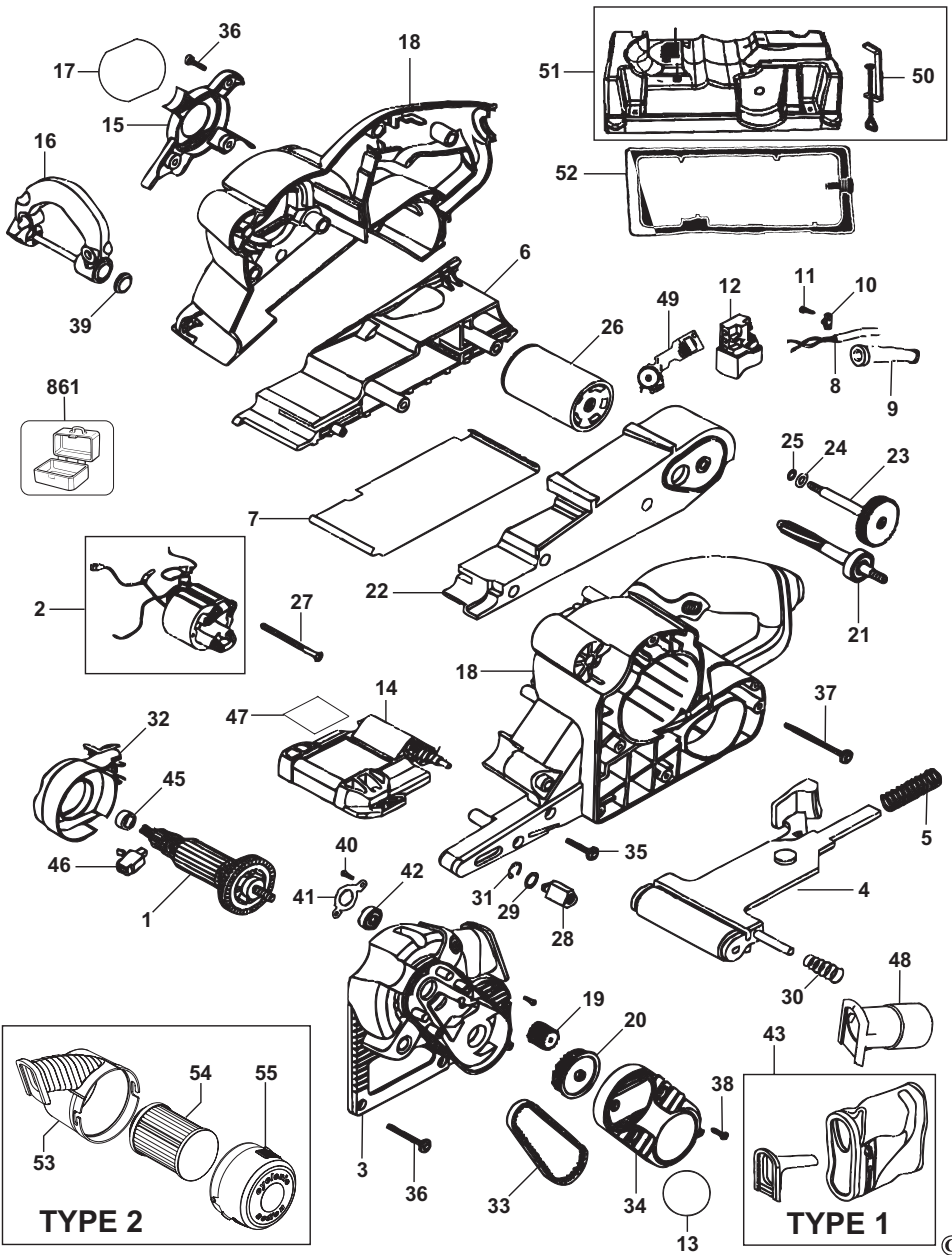
Η επεκτεταμένη εγγύηση δεν ισχύει αν:

- ◆ Δεν υπάρχει απόδειξη αγοράς και γνήσιο πιστοποιητικό επεκτεταμένης εγγύησης.

Καταχωρήστε τώρα το νέο σας προϊόν στη διεύθυνση www.blackanddecker.gr/xt για να εκμεταλλευτείτε την επεκτεταμένη εγγύηση (3 χρόνων), και για να κρατηθείτε ενημερωμένοι για τα νέα προϊόντα και ειδικές προσφορές.

Για να ισχύσει η εγγύηση, πρέπει να υποβάλετε απόδειξη αγοράς στον πωλητή ή το εξουσιοδοτημένο κέντρο επισκευών. Ενημερωθείτε για το πλησιέστερο κέντρο επισκευών της περιοχής σας, επικοινωνώντας με τα γραφεία της Black & Decker στη διεύθυνση που αναγράφεται στο εγχειρίδιο. Επίσης, για να πληροφορηθείτε τα εξουσιοδοτημένα κέντρα επισκευών της Black & Decker και τις λεπτομέρειες και τους αρμόδιους των υπηρεσιών που παρέχονται μετά την πώληση, μπορείτε ανατρέξτε στο Διαδίκτυο στη διεύθυνση: www.2helpU.com

Περισσότερες πληροφορίες σχετικά με τη μάρκα Black & Decker και τη σειρά προϊόντων μας θα βρείτε στη διεύθυνση www.blackanddecker.com



TYPE 2

TYPE 1

Australia	Black & Decker (Australia) Pty. Ltd. 20 Fletcher Road, Mooroolbark, Victoria, 3138	Tel. 03-8720 5100 Fax 03-9727 5940
België/Belgique	Black & Decker (Belgium) N.V. Campus Noord, Schaliënhoevedreef 20E 2800 Mechelen	Tel. 015 - 47 92 11 Fax 015 - 47 92 10
Danmark	Black & Decker Sluseholmen 2-4, 2450 København SV Internet: www.blackanddecker.dk	Tel. 70 20 15 30 Fax 36 94 49 01
Deutschland	Black & Decker GmbH Black & Decker Str. 40, D - 65510 Idstein	Tel. 06126/21 - 0 Fax 06126/21 29 80
Ελλάδα	Black & Decker (Ελλάς) Α.Ε. Στράβωνος 7 & Λεωφ. Βουλιαγμένης 159 166 74 Γλυφάδα - Αθήνα	Τηλ. 210 8981616 Τηλ. 210 8982630 Φαξ Service 210 8983285
España	Black & Decker Ibérica, S.C.A. Parque de Negocios "Mas Blau" Edificio Muntadas, c/Bergadá, 1, Of. A6 08820 El Prat de Llobregat (Barcelona)	Tel. 934 797 400 Fax 934 797 419
France	Black & Decker (France) S.A.S. B.P. 21, 69571 Dardilly Cédex	Tel. 04 72 20 39 20 Fax 04 72 20 39 00
Helvetia	RÖFO AG Gewerbezone Seeblick 3213 Kleinbösinggen	Tel. 026-6749391 Fax 026-6749394
Italia	Black & Decker Italia SpA Viale Elvezia 2 20052 Monza (MI)	Tel. 039-23871 Fax 039-2387592/2387594 Numero verde 800-213935
Nederland	Black & Decker Benelux Joulehof 12, 4622 RG Bergen op Zoom	Tel. 0164 - 283000 Fax 0164 - 283100
New Zealand	Black & Decker 81 Hugo Johnston Drive Penrose, Auckland, New Zealand	Tel. 09 579 7600 Fax 09 579 8200
Norge	Black & Decker (Norge) A/S Postboks 4814, Nydalen, 0422 Oslo Internet: www.blackanddecker.no	Tif. 22 90 99 00 Fax 22 90 99 01
Österreich	Black & Decker Vertriebsges.m.b.H Erlaaerstraße 165, 1231 Wien	Tel. 01 66116-0 Fax 01 66116-14
Portugal	Black & Decker Rua Egas Moniz 173 S. João do Estoril 2766-651 Estoril	Tel. 214667500 Fax 214667575
Suomi	Black & Decker Oy Keilasatama 3, 02150 Espoo Black & Decker Oy, Kägelhamnen 3, 02150 Esbo	Puh.: 010 400 430 Faksi: (09) 2510 7100 Tel: 010 400 430 Fax: (09) 2510 7100
Sverige	Black & Decker AB Fabriksg. 7, 412 50 Göteborg	Tel: 031-68 60 60 Fax: 031-68 60 80
Türkiye	İntratek Mühendislik ve Dış Tic. A.Ş. Ortaklar Cad. No:19/2 80290 Mecidiyeköy / İstanbul	Tel. 0212 211 22 10 Faks 0212 266 33 03
United Kingdom	Black & Decker 210 Bath Road Slough, Berkshire SL1 3YD	Tel. 01753 511234 Fax 01753 551155 Helpline 01753 574277
Middle East & Africa	Black & Decker (Overseas) A.G. PB 5420, Dubai, United Arab Emirates	Tel. +971 4 2826464 Fax +971 4 2826466