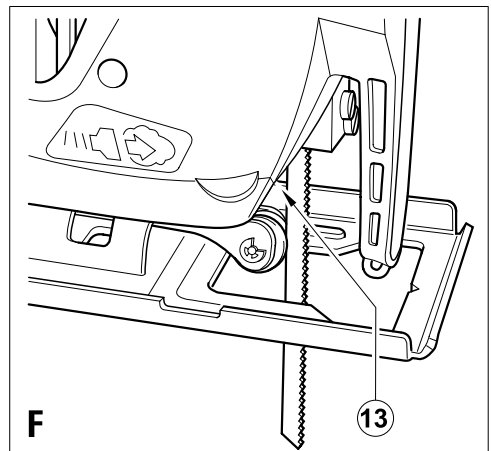
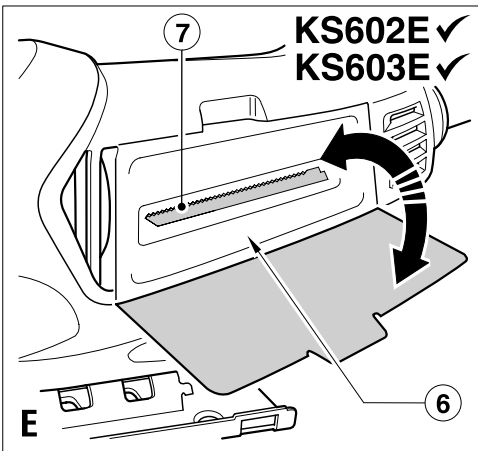
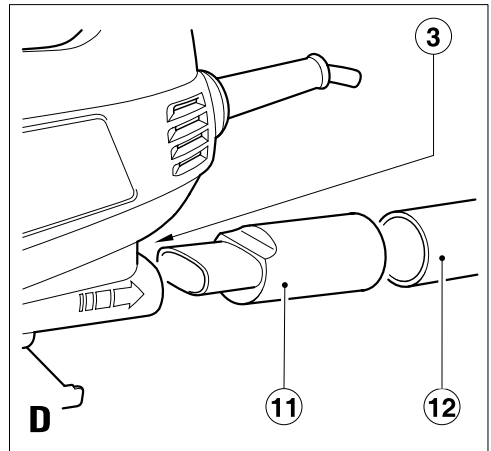
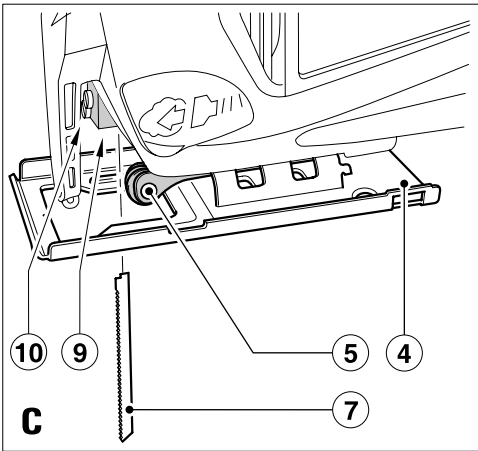
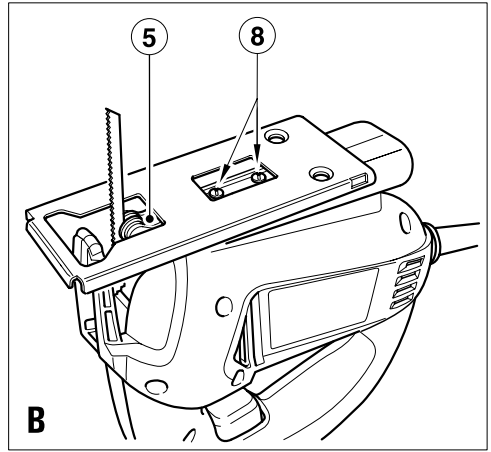
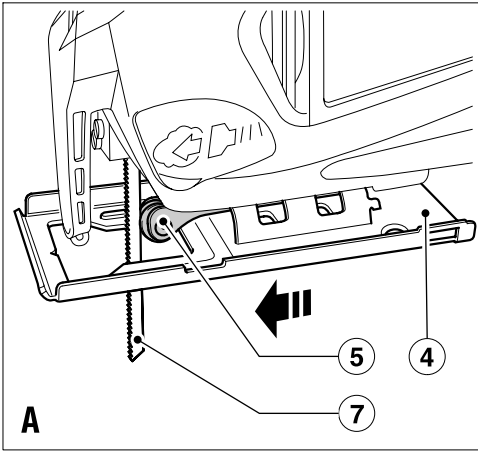
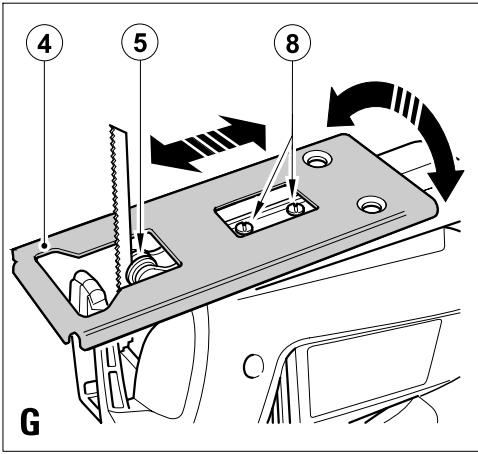


KS600E
KS601E
KS602E
KS603E

English	(Original instructions)	5
Deutsch	(Übersetzung der Originalanleitung)	11
Français	(Traduction des instructions d'origine)	18
Česky	(Přeloženo z původního návodu)	25
Magyar	(Fordítás az eredeti kezelési utasítás alapján készült)	31
Polski	(Tłumaczenie oryginalnej instrukcji)	39
Slovenčina	(Preložené z pôvodného návodu)	46
Русский язык	(Перевод с оригинала инструкции)	52
Українська	(Переклад оригінальних інструкцій)	60
Türkçe	(Çevirisi orijinal talimatlardan yapılmıştır)	68





Intended use

Your Black & Decker jigsaw has been designed for sawing wood, plastics and sheet metal. This tool is intended for consumer use only.

Safety instructions

General power tool safety warnings



Warning! Read all safety warnings and all instructions. Failure to follow the warnings and instructions listed below may result in electric shock, fire and/or serious injury.

Save all warnings and instructions for future reference. The term “power tool” in all of the warnings listed below refers to your mains operated (corded) power tool or battery operated (cordless) power tool.

1. **Work area safety**
 - a. **Keep work area clean and well lit.** Cluttered or dark areas invite accidents.
 - b. **Do not operate power tools in explosive atmospheres, such as in the presence of flammable liquids, gases or dust.** Power tools create sparks which may ignite the dust or fumes.
 - c. **Keep children and bystanders away while operating a power tool.** Distractions can cause you to lose control.
2. **Electrical safety**
 - a. **Power tool plugs must match the outlet. Never modify the plug in any way. Do not use any adapter plugs with earthed (grounded) power tools.** Unmodified plugs and matching outlets will reduce risk of electric shock.
 - b. **Avoid body contact with earthed or grounded surfaces such as pipes, radiators, ranges and refrigerators.** There is an increased risk of electric shock if your body is earthed or grounded.
 - c. **Do not expose power tools to rain or wet conditions.** Water entering a power tool will increase the risk of electric shock.
 - d. **Do not abuse the cord. Never use the cord for carrying, pulling or unplugging the power tool. Keep cord away from heat, oil, sharp edges or moving parts.** Damaged or entangled cords increase the risk of electric shock.
 - e. **When operating a power tool outdoors, use an extension cord suitable for outdoor use.** Use of a cord suitable for outdoor use reduces the risk of electric shock.
 - f. **If operating a power tool in a damp location is unavoidable, use a residual current device (RCD) protected supply.** Use of an RCD reduces the risk of electric shock.
3. **Personal safety**
 - a. **Stay alert, watch what you are doing and use common sense when operating a power tool. Do not use a power tool while you are tired or under the influence of drugs, alcohol or medication.** A moment of inattention while operating power tools may result in serious personal injury.
 - b. **Use personal protective equipment. Always wear eye protection.** Protective equipment such as dust mask, non-skid safety shoes, hard hat, or hearing protection used for appropriate conditions will reduce personal injuries.
 - c. **Prevent unintentional starting. Ensure the switch is in the off-position before connecting to power source and/or battery pack, picking up or carrying the tool.** Carrying power tools with your finger on the switch or energising power tools that have the switch on invites accidents.
 - d. **Remove any adjusting key or wrench before turning the power tool on.** A wrench or a key left attached to a rotating part of the power tool may result in personal injury.
 - e. **Do not overreach. Keep proper footing and balance at all times.** This enables better control of the power tool in unexpected situations.
 - f. **Dress properly. Do not wear loose clothing or jewellery. Keep your hair, clothing and gloves away from moving parts.** Loose clothes, jewellery or long hair can be caught in moving parts.
 - g. **If devices are provided for the connection of dust extraction and collection facilities, ensure these are connected and properly used.** Use of dust collection can reduce dust-related hazards.
4. **Power tool use and care**
 - a. **Do not force the power tool. Use the correct power tool for your application.** The correct

power tool will do the job better and safer at the rate for which it was designed.

- b. **Do not use the power tool if the switch does not turn it on and off.** Any power tool that cannot be controlled with the switch is dangerous and must be repaired.
- c. **Disconnect the plug from the power source and/or the battery pack from the power tool before making any adjustments, changing accessories, or storing power tools.** Such preventive safety measures reduce the risk of starting the power tool accidentally.
- d. **Store idle power tools out of the reach of children and do not allow persons unfamiliar with the power tool or these instructions to operate the power tool.** Power tools are dangerous in the hands of untrained users.
- e. **Maintain power tools. Check for misalignment or binding of moving parts, breakage of parts and any other condition that may affect the power tools operation. If damaged, have the power tool repaired before use.** Many accidents are caused by poorly maintained power tools.
- f. **Keep cutting tools sharp and clean.** Properly maintained cutting tools with sharp cutting edges are less likely to bind and are easier to control.
- g. **Use the power tool, accessories and tool bits etc., in accordance with these instructions, taking into account the working conditions and the work to be performed.** Use of the power tool for operations different from those intended could result in a hazardous situation.

5. Service

- a. **Have your power tool serviced by a qualified repair person using only identical replacement parts.** This will ensure that the safety of the power tool is maintained.

Additional power tool safety warnings



Warning! Additional safety warnings for jigsaws and reciprocating saws

- ◆ **Use clamps or another practical way to secure and support the workpiece to a stable platform.** Holding the work by hand or against your body leaves it unstable and may lead to loss of control.
 - ◆ **Keep hands away from cutting area.** Never reach underneath the work piece for any reason. Do not insert fingers or thumb into the vicinity of the reciprocating blade and blade clamp. Do not stabilize the saw by gripping the shoe.
 - ◆ **Keep blades sharp.** Dull or damaged blades may cause the saw to swerve or stall under pressure. Always use the appropriate type of saw blade for the workpiece material and type of cut.
 - ◆ When cutting pipe or conduit, make sure that they are free from water, electrical wiring, etc.
 - ◆ Do not touch the workpiece or the blade immediately after operating the tool. They can become very hot.
 - ◆ Be aware of hidden hazards, before cutting into walls, floors or ceilings, check for the location of wiring and pipes.
 - ◆ The blade will continue to move after releasing the switch. Always switch the tool off and wait for the saw blade to come to a complete standstill before putting the tool down.
- Warning!** Contact with, or inhalation of dusts arising from cutting applications may endanger the health of the operator and possible bystanders. Wear a dust mask specifically designed for protection against dust and fumes and ensure that persons within or entering the work area are also protected.
- ◆ This tool is not intended for use by persons (including children) with reduced physical, sensory or mental capabilities, or lack of experience and knowledge, unless they have been given supervision or instruction concerning use of the appliance by a person responsible for their safety. Children should be supervised to ensure that they do not play with the appliance.
 - ◆ The intended use is described in this instruction manual. The use of any accessory or attachment or performance of any operation with this tool other than those recommended in this instruction manual may present a risk of personal injury and/or damage to property.

Safety of others

- ◆ This appliance is not intended for use by persons (including children) with reduced physical, sensory or mental capabilities, or lack of experience and knowledge, unless they have been given supervision or instruction concerning use of the appliance by a person responsible for their safety.
- ◆ Children should be supervised to ensure that they do not play with the appliance.

Residual risks.

Additional residual risks may arise when using the tool which may not be included in the enclosed safety warnings. These risks can arise from misuse, prolonged use etc.

Even with the application of the relevant safety regulations and the implementation of safety devices, certain residual risks can not be avoided. These include:

- ◆ **Injuries caused by touching any rotating/moving parts.**
- ◆ **Injuries caused when changing any parts, blades or accessories.**
- ◆ **Injuries caused by prolonged use of a tool. When using any tool for prolonged periods ensure you take regular breaks.**
- ◆ **Impairment of hearing.**
- ◆ **Health hazards caused by breathing dust developed when using your tool (example:- working with wood, especially oak, beech and MDF.)**

Vibration

The declared vibration emission values stated in the technical data and the declaration of conformity have been measured in accordance with a standard test method provided by EN 60745 and may be used for comparing one tool with another. The declared vibration emission value may also be used in a preliminary assessment of exposure.

Warning! The vibration emission value during actual use of the power tool can differ from the declared value depending on the ways in which the tool is used. The vibration level may increase above the level stated.

When assessing vibration exposure to determine safety measures required by 2002/44/EC to protect persons regularly using power tools in employment, an estimation of vibration exposure should consider, the actual conditions of use and the way the tool is used, including taking account

of all parts of the operating cycle such as the times when the tool is switched off and when it is running idle in addition to the trigger time.

Labels on tool

The following pictograms are shown on the tool:



Warning! To reduce the risk of injury, the user must read the instruction manual.

Electrical safety



This tool is double insulated; therefore no earth wire is required. Always check that the power supply corresponds to the voltage on the rating plate.

- ◆ If the supply cord is damaged, it must be replaced by the manufacturer or an authorised Black & Decker Service Centre in order to avoid a hazard.

Features

This tool includes some or all of the following features:

1. On/off switch
2. Lock-on button
3. Dust extraction outlet
4. Shoe plate
5. Saw blade support roller

Fig. E

6. Saw blade storage compartment (KS602E & KS603E)

Assembly

Warning! Before attempting any of the following operations, make sure that the tool is switched off and unplugged and that the saw blade has stopped. Used saw blades may be hot.

Adjusting the saw blade support roller (fig. A & B)

- ◆ Loosen the two screws (8).
- ◆ Push the blade support roller (5) forward until it touches the back edge of the saw blade (7).
- ◆ Tighten the two screws (8).

Fitting and removing the saw blade (fig. C)

- ◆ Before fitting or removing the saw blade (7) the saw blade support roller (5) must be adjusted to the rear position so that it does not contact the blade.
- ◆ Loosen (do not remove) the two screws (10).
- ◆ Hold the saw blade (7) with the teeth facing forward.

- ◆ Insert the shank of the saw blade (7) into the blade holder (9) as far as it will go.
- ◆ Slightly tighten the two screws (10) alternately to position the blade, then fully tighten the two screws (10).
- ◆ Adjust the saw blade support roller (5) as described above.
- ◆ To remove the saw blade (7), turn both screws (10) one turn counter-clockwise.

Connecting a vacuum cleaner to the tool (fig. D)

An adaptor (11) is required to connect a vacuum cleaner or dust extractor to the tool. The adaptor can be purchased from your local Black & Decker retailer.

- ◆ Push the adaptor (11) into the dust extraction outlet (3).
- ◆ Connect the vacuum cleaner hose (12) to the adaptor (11).

Saw blade storage (KS602E & KS603E only) (fig. E)

Saw blades (7) can be stored in the storage compartment (6) located on the side of the tool

- ◆ Open the cover of the saw blade storage compartment (6) by holding the tab on the top of the door and pulling outwards.
- ◆ Remove or store saw blades (7) in the storage compartment (6).
- ◆ Close the cover of the saw blade storage compartment (6) and make sure that it is latched closed.

Cut line blower (fig. F)

- ◆ To aid visibility when cutting, your jigsaw is equipped with a cut line blower (13) which will keep the work area clear of dust as you saw.

Use

Adjusting the shoe plate for bevel cuts (fig. G)

The shoe plate can be set to make either a straight cut or a left or right bevel cut at an angle of 45°.

- ◆ Loosen the screws (8).
- ◆ Pull the shoe plate (4) forward, rotate the shoe plate (4) to the left or right and push it back into the 45° location.
- ◆ Push the blade support roller (5) forward until it touches the saw blade (7).
- ◆ Tighten the screws (8).

To reset the shoe plate for straight cuts:

- ◆ Loosen the screws (8).

- ◆ Pull the shoe plate (4) forward, rotate to the centre and push it back into the 0° location.
- ◆ Push the blade support roller (5) forward until it touches the saw blade (7).
- ◆ Tighten the screws (8).

Variable speed control

The tool has a variable speed on/off switch (1).

The operating speed depends on how far you press the switch.

- ◆ Use a high speed for wood, medium speed for aluminium and PVC and low speed for metals other than aluminium.

Switching on and off

- ◆ To switch the tool on, press the on/off switch (1).
- ◆ To switch the tool off, release the on/off switch (1).
- ◆ For continuous operation, press the lock-on button (2) and release the on/off switch (1).
- ◆ To switch the tool off when in continuous operation, press and release the on/off switch (1).

Hints for optimum use

- ◆ Hold the tool firmly with both hands while cutting.
- ◆ The shoe should be held firmly against the material being cut. This will help prevent the saw from jumping, reduce vibration and minimise blade breakage.
- ◆ Let the blade run freely for a few seconds before starting the cut.
- ◆ Apply only a gentle pressure to the tool while performing the cut.

Sawing laminates

When cutting laminates splintering may occur which can damage the presentation surface. The most common saw blades cut on the upward stroke, therefore if the shoe plate is sitting on the presentation surface either use a saw blade that cuts on the downward stroke or:

- ◆ Use a fine-tooth saw blade.
- ◆ Saw from the back surface of the workpiece.
- ◆ Clamp a piece of scrap wood or hardboard to both sides of the workpiece to minimise splintering, and saw through this sandwich.

Sawing metal

- ◆ Be aware that sawing metal takes much more time than sawing wood.
- ◆ Use a saw blade suitable for sawing metal.

- ◆ When cutting thin sheet metal, clamp a piece of scrap wood to the back surface of the workpiece and cut through this sandwich.
- ◆ Spread a film of oil along the intended line of cut.

Maintenance

Your Black & Decker tool has been designed to operate over a long period of time with a minimum of maintenance. Continuous satisfactory operation depends upon proper care and regular cleaning.

Warning! Before performing any maintenance or cleaning, make sure that the tool is switched off and unplugged and that the saw blade has stopped.

- ◆ Regularly clean the ventilation slots in your tool and charger using a soft brush or dry cloth.
- ◆ Regularly clean the motor housing using a damp cloth. Do not use any abrasive or solvent-based cleaner. Never let any liquid get inside the tool and never immerse any part of the tool into liquid.


Mains plug replacement (U.K. & Ireland only)

If a new mains plug needs to be fitted:


- ◆ Safely dispose of the old plug.
- ◆ Connect the brown lead to the live terminal in the new plug.
- ◆ Connect the blue lead to the neutral terminal.

Warning! No connection is to be made to the earth terminal. Follow the fitting instructions supplied with good quality plugs. Recommended fuse: 5 A.

Protecting the environment

 Separate collection. This product must not be disposed of with normal household waste.

Should you find one day that your Black & Decker product needs replacement, or if it is of no further use to you, do not dispose of it with household waste. Make this product available for separate collection.

 Separate collection of used products and packaging allows materials to be recycled and used again. Re-use of recycled materials helps prevent environmental pollution and reduces the demand for raw materials.

Local regulations may provide for separate collection of electrical products from the

household, at municipal waste sites or by the retailer when you purchase a new product.

Black & Decker provides a facility for the collection and recycling of Black & Decker products once they have reached the end of their working life. To take advantage of this service please return your product to any authorised repair agent who will collect them on our behalf.

You can check the location of your nearest authorised repair agent by contacting your local Black & Decker office at the address indicated in this manual. Alternatively, a list of authorised Black & Decker repair agents and full details of our after-sales service and contacts are available on the Internet at: **www.2helpU.com**

Technical data

	KS600E/KS601E	KS602E/KS603E(Type 1)
Input voltage	V_{AC} 230	
Power input	W 450	
No-load speed	min^{-1} 0-3,000	
Max. depth of cut		
Wood	mm 60	
Steel	mm 5	
Aluminium	mm 10	
Weight	kg 1.9	

Level of sound pressure according to EN 60745:
 Sound pressure (L_{pA}) 89 dB(A), uncertainty (K) 3 dB(A), Sound power (L_{WA}) 100 dB(A), uncertainty (K) 3 dB(A)

Vibration total values (triax vector sum) according to EN 60745:

Cutting wood ($a_{h,cw}$) 7.7 m/s² uncertainty (K) 2.4 m/s², Cutting sheet metal ($a_{h,cm}$) 9.1 m/s², uncertainty (K) 1.5 m/s²

EC declaration of conformity

MACHINERY DIRECTIVE



KS600E/KS601E/KS602E/KS603E

Black & Decker declares that these products described under "technical data" are in compliance with: 2006/42/EC, EN 60745-1, EN 60745-2-11

For more information, please contact Black & Decker at the following address or refer to the back of the manual.

The undersigned is responsible for compilation of the technical file and makes this declaration on behalf of Black & Decker.

information on the Black & Decker brand and our range of products is available at www.blackanddecker.co.uk.



Kevin Hewitt
Vice-President
Global Engineering
Black & Decker Europe,
210 Bath Road, Slough,
Berkshire, SL1 3YD
United Kingdom
31/03/2010

Guarantee

Black & Decker is confident of the quality of its products and offers an outstanding guarantee. This guarantee statement is in addition to and in no way prejudices your statutory rights. The guarantee is valid within the territories of the Member States of the European Union and the European Free Trade Area.

If a Black & Decker product becomes defective due to faulty materials, workmanship or lack of conformity, within 24 months from the date of purchase, Black & Decker guarantees to replace defective parts, repair products subjected to fair wear and tear or replace such products to make sure of the minimum inconvenience to the customer unless:

- ◆ The product has been used for trade, professional or hire purposes.
- ◆ The product has been subjected to misuse or neglect.
- ◆ The product has sustained damage through foreign objects, substances or accidents.
- ◆ Repairs have been attempted by persons other than authorised repair agents or Black & Decker service staff.

To claim on the guarantee, you will need to submit proof of purchase to the seller or an authorised repair agent. You can check the location of your nearest authorised repair agent by contacting your local Black & Decker office at the address indicated in this manual. Alternatively, a list of authorised Black & Decker repair agents and full details of our aftersales service and contacts are available on the Internet at: www.2helpU.com

Please visit our website www.blackanddecker.co.uk to register your new Black & Decker product and to be kept up to date on new products and special offers. Further

Bestimmungsgemäße Verwendung

Ihre Black & Decker Stichsäge wurde zum Sägen von Holz, Kunststoff und Blech entwickelt. Dieses Gerät ist nicht für den gewerblichen Einsatz vorgesehen.

Sicherheitshinweise

Allgemeine Warnhinweise zur Sicherheit von Elektrowerkzeugen



Achtung! Lesen Sie sämtliche Sicherheitswarnhinweise und sonstigen Anweisungen. Die Nichteinhaltung der nachstehend aufgeführten Warnhinweise und sonstigen Anweisungen kann einen elektrischen Schlag, Brand und/oder schwere Verletzungen verursachen.

Bewahren Sie alle Warnhinweise und sonstigen Anweisungen zur künftigen Bezugnahme auf. Der nachfolgend verwendete Begriff „Gerät“ bezieht sich auf netzbetriebene Geräte (mit Netzkabel) und auf akkubetriebene Geräte (ohne Netzkabel).

1. **Sicherheit am Arbeitsplatz**
 - a. **Halten Sie Ihren Arbeitsbereich sauber und gut ausgeleuchtet.** Unordnung und dunkle Arbeitsbereiche fordern Unfälle geradezu heraus.
 - b. **Arbeiten Sie mit Geräten nicht in explosionsgefährdeter Umgebung, in der sich brennbare Flüssigkeiten, Gase oder Stäube befinden.** Geräte erzeugen Funken, die den Staub oder die Dämpfe entzünden können.
 - c. **Halten Sie Kinder und andere Personen während der Benutzung eines Geräts fern.** Bei Ablenkung können Sie die Kontrolle verlieren.
 2. **Elektrische Sicherheit**
 - a. **Der Anschlussstecker des Geräts muß in die Steckdose passen. Der Stecker darf in keiner Weise verändert werden. Verwenden Sie keine Adapterstecker gemeinsam mit schutzgeerdeten Geräten.** Unveränderte Stecker und passende Steckdosen verringern das Risiko eines elektrischen Schlags.
 - b. **Vermeiden Sie Körperkontakt mit geerdeten Oberflächen von Rohren, Heizungen, Herden und Kühlschränken.** Es besteht ein erhöhtes Risiko eines elektrischen Schlags, wenn Ihr Körper geerdet ist.
 - c. **Halten Sie Geräte von Regen und Nässe fern.** Das Eindringen von Wasser in ein Gerät erhöht das Risiko eines elektrischen Schlags.
 - d. **Mißbrauchen Sie nicht das Kabel. Verwenden Sie das Kabel niemals zum Tragen, Ziehen oder Trennen des Gerätes vom Netz. Halten Sie das Kabel fern von Hitze, Öl, scharfen Kanten oder sich bewegenden Teilen.** Beschädigte oder verwickelte Kabel erhöhen das Risiko eines elektrischen Schlags.
 - e. **Wenn Sie mit einem Gerät im Freien arbeiten, verwenden Sie nur Verlängerungskabel, die auch für den Außenbereich zugelassen sind.** Die Verwendung eines für den Außenbereich geeigneten Verlängerungskabels verringert das Risiko eines elektrischen Schlags.
 - f. **Falls der Betrieb des Elektrowerkzeugs in einer feuchten Umgebung unvermeidbar ist, verwenden Sie einen mit einem Fehlerstromschutzschalter (FI-Schutzschalter) abgesicherten Stromkreis.** Durch die Verwendung eines FI-Schutzschalters wird das Risiko eines Stromschlags verringert.
3. **Sicherheit von Personen**
 - a. **Seien Sie aufmerksam, achten Sie darauf, was Sie tun, und gehen Sie vernünftig mit einem Gerät um. Benutzen Sie das Gerät nicht, wenn Sie müde sind oder unter dem Einfluß von Drogen, Alkohol oder Medikamenten stehen.** Ein Moment der Unachtsamkeit beim Gebrauch von Geräten kann zu ernsthaften Verletzungen führen.
 - b. **Tragen Sie persönliche Schutzausrüstung. Tragen Sie immer eine Schutzbrille.** Das Tragen persönlicher Schutzausrüstung, wie Staubmaske, rutschfeste Sicherheitsschuhe, Schutzhelm oder Gehörschutz, je nach Art und Einsatz des Elektrowerkzeuges, verringert das Risiko von Verletzungen.
 - c. **Vermeiden Sie eine unbeabsichtigte Inbetriebnahme. Vergewissern Sie sich, dass der Schalter auf der Aus-Stellung steht, bevor Sie den Stecker in die Steckdose stecken und/oder das Akkupaket im Werkzeug stecken, das Werkzeug aufnehmen oder tragen.** Wenn Sie beim Tragen des Elektrowerkzeugs den Finger am Schalter haben oder das Werkzeug

eingeschaltet an die Stromversorgung anschließen, kann dies zu Unfällen führen.

- d. **Entfernen Sie Einstell- oder Schraubenschlüssel, bevor Sie das Gerät einschalten.** Ein Schlüssel, der sich in einem sich drehenden Teil befindet, kann zu Verletzungen führen.
 - e. **Nicht zu weit nach vorne strecken! Achten Sie auf einen sicheren Stand, um in jeder Arbeitsposition das Gleichgewicht zu halten.** Dadurch können Sie das Gerät in unerwarteten Situationen besser unter Kontrolle halten.
 - f. **Tragen Sie geeignete Kleidung. Tragen Sie keine weite Kleidung oder Schmuck. Halten Sie Haare, Kleidung und Handschuhe fern von sich bewegenden Teilen.** Lockere Kleidung, Schmuck oder lange Haare können von sich bewegenden Teilen erfaßt werden.
 - g. **Falls Staubabsaug- und -auffangvorrichtungen vorhanden sind, vergewissern Sie sich, daß diese angeschossen sind und richtig verwendet werden.** Das Verwenden dieser Einrichtungen verringert Gefährdungen durch Staub.
- 4. Gebrauch und Pflege von Geräten**
- a. **Überlasten Sie das Gerät nicht. Verwenden Sie für Ihre Arbeit das dafür bestimmte Gerät.** Mit dem passenden Gerät arbeiten Sie besser und sicherer im angegebenen Leistungsbereich.
 - b. **Benutzen Sie kein Gerät, dessen Schalter defekt ist.** Ein Gerät, das sich nicht mehr ein- oder ausschalten läßt, ist gefährlich und muß repariert werden.
 - c. **Trennen Sie den Stecker von der Stromquelle und/oder das Akkupaket vom Elektrowerkzeug, bevor Einstellungen vorgenommen, Zubehör gewechselt oder Elektrowerkzeuge verstaut werden.** Diese Vorsichtsmaßnahmen verhindern den unbeabsichtigten Start des Gerätes.
 - d. **Bewahren Sie unbenutzte Geräte außerhalb der Reichweite von Kindern auf. Lassen Sie Geräte nicht von Personen benutzen, die damit nicht vertraut sind oder diese Anweisungen nicht gelesen haben.** Geräte sind gefährlich, wenn Sie von unerfahrenen Personen benutzt werden.
 - e. **Halten Sie Geräte in einem einwandfreien Zustand. Kontrollieren Sie, ob bewegliche Teile falsch ausgerichtet sind oder**

klemmen und ob Teile gebrochen oder so beschädigt sind, daß die Funktion des Geräts beeinträchtigt ist. Lassen Sie beschädigte Geräte vor dem Gebrauch reparieren. Viele Unfälle haben ihre Ursache in schlecht gewarteten Geräten.

- f. **Halten Sie Schneidgeräte scharf und sauber.** Sorgfältig gepflegte Schneidgeräte mit scharfen Schneidkanten verklemmen sich weniger und sind leichter zu führen.
 - g. **Verwenden Sie das Elektrowerkzeug, Zubehör sowie Werkzeug-Bits, usw. entsprechend diesen Anweisungen. Berücksichtigen Sie dabei die Arbeitsbedingungen sowie die durchzuführende Arbeit.** Der Gebrauch von Geräten für andere als die vorgesehenen Anwendungen kann zu gefährlichen Situationen führen.
- 5. Service**
- a. **Lassen Sie Ihr Gerät nur von qualifiziertem Fachpersonal und nur mit Original-Ersatzteilen reparieren.** Damit wird gewährleistet, daß die Sicherheit des Geräts erhalten bleibt.

Zusätzliche Warnhinweise zur Sicherheit von Elektrowerkzeugen



Achtung! Zusätzliche Warnhinweise zur Sicherheit von Stich- und Säbelsägen.

- ◆ **Halten Sie das Elektrowerkzeug an den isolierten Griffflächen, wenn Arbeiten durchgeführt werden, bei denen das Schneidewerkzeug versteckte Leitungen oder die eigene Anschlußleitung berühren könnte.** Schneidezubehörteil, das eine spannungsführende Leitung berühren, setzen die freiliegenden Metallteile des Geräts unter Spannung und der Benutzer erleidet einen Stromschlag.
- ◆ **Verwenden Sie Zwingen oder ähnliche Mittel, um das Werkstück auf einer stabilen Plattform zu halten und zu sichern.** Falls das Werkstück mit der Hand oder gegen den Körper gehalten wird, bleibt es instabil und Sie können die Kontrolle verlieren.
- ◆ **Halten Sie die Hände vom Schnittbereich fern.** Greifen Sie niemals unter das Werkstück. Halten Sie Finger und Daumen vom Bereich des Sägeblatts der Säbelsäge sowie der Einpannvorrichtung des Sägeblatts fern.

Versuchen Sie nicht, die Säge zu stabilisieren, indem Sie den Sägeschuh halten.

- ◆ **Halten Sie die Sägeblätter scharf.** Stumpfe oder beschädigte Sägeblätter können bewirken, daß die Säge unter Druck ausbricht oder hängen bleibt. Verwenden Sie immer ein Sägeblatt, das sich für das zu sägende Material und den gewünschten Schnitttyp eignet.
- ◆ Wird Rohr oder Kanal geschnitten, vergewissern Sie sich, daß kein Wasser durch die Rohrleitungen fließt und keine elektrischen Leitungen, etc. im Kanal vorhanden sind.
- ◆ Fassen Sie das Werkstück bzw. das Sägeblatt unmittelbar nach dem Betrieb des Werkzeugs nicht an. Werkstück und Sägeblatt können sehr heiß werden!
- ◆ Seien Sie sich über versteckte Gefahren im Klaren und informieren Sie sich über den genauen Verlauf von Leitungen und Rohren, bevor Sie Sägearbeiten in Wänden, Böden und Decken durchführen.
- ◆ Das Sägeblatt bewegt sich nach dem Loslassen des Schalters weiter. Schalten Sie das Gerät immer aus und warten Sie, bis das Sägeblatt zum Stillstand kommt, bevor Sie das Gerät niederlegen.

Achtung! Ein Kontakt mit Stäuben oder das Einatmen von Stäuben, die durch den Sägeeinsatz entstehen, kann die Gesundheit des Bedieners und eventueller anderer Personen in der Nähe des Geräts gefährden. Tragen Sie zum Schutz vor Stäuben und Dämpfen eine Staubmaske, und stellen Sie sicher, daß auch andere Personen geschützt sind, die den Arbeitsplatz betreten oder sich darin aufhalten.

- ◆ Dieses Gerät darf nicht von Personen (einschließlich Kindern) mit eingeschränkten körperlichen, sensorischen oder geistigen Fähigkeiten verwendet werden. Auch darf es nicht von Personen verwendet werden, die keine Erfahrung mit dem Gerät oder Kenntnis darüber haben, es sei denn, sie stehen beim Gebrauch unter der Aufsicht und Anleitung einer für deren Sicherheit verantwortlichen Person. Kinder müssen beaufsichtigt werden, um sicherzustellen, daß sie nicht mit dem Gerät spielen.
- ◆ Die bestimmungsgemäße Verwendung ist in dieser Bedienungsanleitung beschrieben. Das Verwenden anderer als der in dieser Anleitung empfohlenen Anbaugeräte und Zubehörteile

oder die Ausführung von Arbeiten mit diesem Gerät, die nicht der bestimmungsgemäßen Verwendung entsprechen, kann zu Unfallgefahren und/oder Sachschäden führen.

Sicherheit anderer Personen

- ◆ Dieses Gerät darf nicht von Personen (einschließlich Kindern) mit eingeschränkten körperlichen, sensorischen oder geistigen Fähigkeiten verwendet werden. Auch darf es nicht von Personen verwendet werden, die keine Erfahrung mit dem Gerät oder Kenntnis darüber haben, es sei denn, sie stehen beim Gebrauch unter der Aufsicht und Anleitung einer für deren Sicherheit verantwortlichen Person.
- ◆ Kinder müssen beaufsichtigt werden, um sicherzustellen, daß sie nicht mit dem Gerät spielen.

Restrisiken.

Für den Gebrauch dieses Geräts verbleiben zusätzliche Restrisiken, die möglicherweise nicht in den Sicherheitswarnungen genannt werden. Diese Risiken bestehen beispielsweise bei Missbrauch oder längerem Gebrauch.

Auch bei der Einhaltung der entsprechenden Sicherheitsvorschriften und der Verwendung aller Sicherheitsgeräte bestehen weiterhin bestimmte Restrisiken. Diese werden im Folgenden aufgeführt:

- ◆ **Verletzungen, die durch das Berühren von sich drehenden/bewegenden Teilen verursacht werden.**
- ◆ **Verletzungen, die durch das Austauschen von Teilen, Messern oder Zubehör verursacht werden.**
- ◆ **Verletzungen, die durch längeren Gebrauch eines Geräts verursacht werden. Legen Sie bei längerem Gebrauch regelmäßige Pausen ein.**
- ◆ **Beeinträchtigung des Gehörs.**
- ◆ **Gesundheitsrisiken durch das Einatmen von Staub beim Gebrauch des Geräts (Beispielsweise bei Holzarbeiten, insbesondere Eiche, Buche und Pressspan).**

Vibrationen

Die angegebenen Vibrationswerte in den Technischen Daten und der Konformitätserklärung wurden gemäß einer standardisierten und durch EN 60745 festgelegten Prüfmethode gemessen

und können herangezogen werden, um ein Werkzeug mit einem anderen zu vergleichen. Der angegebene Vibrationswert kann auch für eine vorläufige Einstufung der Freisetzung herangezogen werden.

Achtung! Der Vibrationswert beim eigentlichen Gebrauch des Elektrowerkzeugs kann vom angegebenen Wert abweichen. Dies hängt davon ab, auf welche Weise das Werkzeug verwendet wird. Der Vibrationswert kann über den angegebenen Wert hinaus ansteigen.

Bei der Einstufung der Vibrationen zur Festlegung der von 2002/44/EG geforderten Sicherheitsmaßnahmen zum Schutz von Personen, die beruflich regelmäßig mit Elektrowerkzeugen arbeiten, muß eine Vibrationseinstufung die tatsächlichen Gebrauchsbedingungen und die Art und Weise berücksichtigen, wie das Werkzeug verwendet wird. Auch müssen alle Aspekte des Arbeitszyklus berücksichtigt werden, wie beispielsweise die Zeiten, in denen das Werkzeug aus- und eingeschaltet ist und im Leerlauf läuft.

Schilder auf dem Gerät

Es befinden sich folgende Bildzeichen auf dem Gerät:



Achtung! Um die Verletzungsgefahr zu verringern, muß der Benutzer die Bedienungsanleitung lesen.

Elektrische Sicherheit



Dieses Gerät ist schutzisoliert, daher ist keine Erdleitung erforderlich. Überprüfen Sie immer, ob die Netzspannung der auf dem Typenschild des Elektrowerkzeuges angegebenen Spannung entspricht.

- ◆ Falls das Netzkabel beschädigt ist, so ist es vom Hersteller oder einem autorisierten Black & Decker Service Center auszutauschen, um Gefahren vorzubeugen.

Merkmale

Dieses Gerät weist einige oder alle der folgenden Merkmale auf:

1. Ein-/Aus-Schalter
2. Ausschaltperre
3. Staubabsauganschluß
4. Sägeschuhplatte
5. Stützrolle für Sägeblatt

Abb. E

6. Aufbewahrungsfach für Sägeblatt (KS602E & KS603E)

Montage

Achtung! Bevor Sie folgende Schritte durchführen, stellen Sie sicher, daß das Gerät ausgeschaltet und vom Netz getrennt ist und daß das Sägeblatt stehengeblieben ist. Verwendete Sägeblätter können heiß sein.

Einstellen der Stützrolle für das Sägeblatt (Abb. A & B)

- ◆ Lösen Sie die beiden Schrauben (8).
- ◆ Schieben Sie die Stützrolle (5) für das Sägeblatt nach vorne, bis sie die Hinterkante des Sägeblatts (7) berührt.
- ◆ Ziehen Sie die beiden Schrauben (8) an.

Anbringen und Entfernen des Sägeblatts (Abb. C)

- ◆ Vor dem Anbringen oder Entfernen des Sägeblatts (7) muß die Stützrolle (5) für das Sägeblatt so auf die hintere Position eingestellt werden, daß sie das Sägeblatt nicht berührt.
- ◆ Lösen Sie die beiden Schrauben (10) (nur lösen - nicht entfernen).
- ◆ Halten Sie das Sägeblatt (7) mit den Zähnen nach vorneweisend.
- ◆ Setzen Sie den Schaft des Sägeblatts (7) bis zum Anschlag in den Sägeblatthalter (9) ein.
- ◆ Ziehen Sie die beiden Schrauben (10) abwechselnd etwas an, um das Sägeblatt in seine Position zu bringen. Ziehen Sie die beiden Schrauben (10) anschließend fest an.
- ◆ Stellen Sie die Stützrolle (5) für das Sägeblatt wie oben beschrieben ein.
- ◆ Um das Sägeblatt (7) zu entfernen, drehen Sie beide Schrauben (10) eine Umdrehung gegen den Uhrzeigersinn.

Anschluß eines Staubsaugers am Gerät (Abb. D)

Um einen Staubsauger oder eine Absaugvorrichtung mit dem Gerät zu verbinden, ist ein Adapter (11) erforderlich. Der Adapter kann von Ihrem örtlichen Black & Decker Händler bezogen werden.

- ◆ Stecken Sie den Adapter (11) in den Staubabsauganschluß (3).
- ◆ Verbinden Sie den Staubsaugerschlauch (12) mit dem Adapter (11).

Sägeblatt-Aufbewahrung (nur KS602E & KS603E) (Abb. E)

Im Fach (6) an der Seite des Werkzeugs können Sägeblätter (7) aufbewahrt werden.

- ◆ Öffnen Sie den Deckel des Sägeblatt-Aufbewahrungsfachs (6), indem Sie die Nase oben an der Klappe festhalten und nach außen ziehen.
- ◆ Entnehmen Sie dem Fach (6) die Sägeblätter (7) bzw. bewahren Sie sie hier auf.
- ◆ Schließen Sie den Deckel der Sägeblatt-Aufbewahrung (6) und vergewissern Sie sich, daß er in der geschlossenen Stellung eingerastet ist.

Schnittliniengebläse (Abb. F)

- ◆ Um die Sichtbarkeit beim Schneiden zu verbessern, ist Ihre Stichsäge mit einem Schnittliniengebläse (13) ausgerüstet, daß den Arbeitsbereich beim Sägen staubfrei hält.

Gebrauch

Einstellen der Sägeschuhplatte auf Gehrungsschnitte (Abb. G)

Die Sägeschuhplatte kann entweder auf Geradschnitte oder auf Gehrungsschnitte mit einem Links- oder Rechtswinkel von 45° eingestellt werden.

- ◆ Lösen Sie die Schrauben (8).
- ◆ Ziehen Sie die Sägeschuhplatte (4) nach vorne, drehen Sie sie nach links oder rechts und schieben Sie sie in die 45°-Stellung zurück.
- ◆ Schieben Sie die Stützrolle (5) für das Sägeblatt nach vorne, bis sie das Sägeblatt (7) berührt.

◆ Ziehen Sie die Schrauben (8) an.
Um die Sägeschuhplatte wieder für gerade Schnitte einzustellen:

- ◆ Lösen Sie die Schrauben (8).
- ◆ Ziehen Sie die Sägeschuhplatte (4) nach vorne, drehen Sie sie in die Mitte und schieben Sie sie in die 0°-Stellung zurück.
- ◆ Schieben Sie die Stützrolle (5) für das Sägeblatt nach vorne, bis sie das Sägeblatt (7) berührt.
- ◆ Ziehen Sie die Schrauben (8) an.

Geschwindigkeitsvorwahl

Das Gerät hat einen Ein-/Aus-Drehzahlregelschalter (1). Je tiefer Sie den Schalter drücken, umso höher ist die Drehzahl des Geräts.

- ◆ Verwenden Sie für Holz eine hohe Geschwindigkeit, für Aluminium und PVC eine mittlere Geschwindigkeit und für Nicht-Aluminium-Metalle eine niedrige Geschwindigkeit.

Ein- und Ausschalten

- ◆ Um das Werkzeug einzuschalten, drücken Sie auf den Ein-/Ausschalter (1).
- ◆ Um das Gerät auszuschalten, lassen Sie den Ein-/Ausschalter (1) los.
- ◆ Drücken Sie für Dauerbetrieb auf die Ausschaltsperre (2). Sie können nun den Ein-/Ausschalter (1) loslassen.
- ◆ Um den Dauerbetrieb des Geräts wieder auszuschalten, drücken Sie auf den Ein-/Ausschalter (1) und lassen Sie ihn los.

Hinweise für optimale Arbeitsergebnisse

- ◆ Halten Sie das Werkzeug beim Schneiden mit beiden Händen sicher fest.
- ◆ Der Sägeschuh muß fest gegen das zu schneidende Material gehalten werden. Dadurch wird verhindert, daß die Säge springt, Vibrationen werden verringert und die Sägeblatt-Bruchgefahr wird minimiert.
- ◆ Lassen Sie das Sägeblatt einige Sekunden im Leerlauf laufen, bevor Sie den Schnitt vornehmen.
- ◆ Drücken Sie das Gerät während des Sägevorgangs nur leicht.

Sägen von Laminat

Beim Schneiden von Laminat kann Material splintern, wodurch die Sichtfläche beschädigt wird. Die gängigsten Sägeblätter schneiden beim Aufwärtshub. Falls die Sägeschuhplatte auf der Sichtfläche aufliegt, sollten Sie daher entweder ein Sägeblatt verwenden, das beim Abwärtshub schneidet, oder:

- ◆ Verwenden Sie ein Sägeblatt mit feinen Zähnen.
- ◆ Sägen Sie von der Rückseite des Werkstücks ausgehend.
- ◆ Spannen Sie einen Holzrest oder eine Hartfaserplatte auf beide Seiten des Werkstücks und sägen Sie durch diesen „Sandwich“, um das Splintern zu minimieren.

Sägen von Metall

- ◆ Seien Sie sich darüber im Klaren, daß beim Sägen von Metall sehr viel mehr Zeit als beim Sägen von Holz benötigt wird.

- ◆ Verwenden Sie ein für das Sägen von Metall geeignetes Sägeblatt.
- ◆ Beim Sägen von dünnem Blech spannen Sie einen Holzrest auf die hintere Fläche des Werkstücks, und schneiden Sie durch diesen „Sandwich“.
- ◆ Verteilen Sie einen Ölfilm auf der Schnittlinie.

Wartung

Ihr Black & Decker Gerät wurde im Hinblick auf eine lange Lebensdauer und einen möglichst geringen Wartungsaufwand entwickelt. Ein dauerhafter, einwandfreier Betrieb setzt Pflege und eine regelmäßige Reinigung voraus.

Achtung! Vergewissern Sie sich vor Wartungs- oder Reinigungsarbeiten, daß das Gerät ausgeschaltet, der Netzstecker gezogen und das Sägeblatt stehen geblieben ist.

- ◆ Reinigen Sie regelmäßig die Lüftungsschlitze im Gerät und Ladegerät mit Hilfe einer weichen Bürste oder eines trockenen Tuches.
- ◆ Reinigen Sie regelmäßig das Motorgehäuse mit Hilfe eines feuchten Tuches. Verwenden Sie keine scheuernden Reinigungsmittel oder Reinigungsmittel auf Lösungsmittelbasis. Lassen Sie niemals Flüssigkeiten in das Gerät gelangen und tauchen Sie niemals Teile des Geräts in Flüssigkeit ein.

Umweltschutz



Getrennte Entsorgung. Dieses Produkt darf nicht über den normalen Hausmüll entsorgt werden.

Sollte Ihr Black & Decker Produkt eines Tages erneuert werden müssen, oder falls Sie es nicht weiter verwenden wollen, so darf es nicht über den Hausmüll entsorgt werden. Stellen Sie dieses Produkt zur getrennten Entsorgung bereit.



Durch die getrennte Entsorgung gebrauchter Produkte und Verpackungen können die Materialien recycelt und wiederverwertet werden. Die Wiederverwertung recycelter Materialien schont die Umwelt und verringert die Nachfrage nach Rohstoffen.

Die regionalen Bestimmungen schreiben unter Umständen die getrennte Entsorgung elektrischer Produkte aus dem Haushalt an Sammelstellen oder seitens des Händlers vor, bei dem Sie das neue Produkt erworben haben.

Black & Decker nimmt Ihre ausgedienten Black & Decker Geräte gern zurück und sorgt für eine umweltfreundliche Entsorgung und Wiederverwertung. Um diesen Dienst zu nutzen, schicken Sie bitte Ihr Produkt zu einer Vertragswerkstatt. Hier wird es dann auf unsere Kosten gesammelt.

Die Adresse der zuständigen Black & Decker Vertretung steht in diesem Handbuch, darüber läßt sich die nächstgelegene Vertragswerkstatt ermitteln. Außerdem ist eine Liste der Vertragswerkstätten und aller Kundendienststellen von Black & Decker sowie der zuständigen Ansprechpartner im Internet zu finden unter: **www.2helpU.com**

Technische Daten

		KS600E/KS601E
		KS602E/KS603E(Type 1)
Spannung	V_{AC}	230
Leistungsaufnahme	W	450
Leerlaufdrehzahl	min^{-1}	0-3.000
Max. Frästiefe		
Holz	mm	60
Stahl	mm	5
Aluminium	mm	10
Gewicht	kg	1,9

Höhe des Schalldrucks gemäß EN 60745:
Schalldruck (L_{pA}) 89 dB(A), Unsicherheitsfaktor (K) 3 dB(A), Schallleistung (L_{WA}) 100 dB(A), Unsicherheitsfaktor (K) 3 dB(A)

Gesamtvibrationswerte (Triax-Vektorsumme) gemäß EN 60745:

Schneiden von Holz ($a_{h,cw}$) 7,7 m/s^2 ,
Unsicherheitsfaktor (K) 2,4 m/s^2

Schneiden von Metall ($a_{h,cm}$) 9,1 m/s^2 ,
Unsicherheitsfaktor (K) 1,5 m/s^2

EG-Konformitätserklärung

MASCHINENRICHTLINIE



KS600E/KS601E/KS602E/KS603E

Black & Decker erklärt, daß diese unter „Technische Daten“ beschriebenen Produkte folgende Richtlinien erfüllen: 2006/42/EG, EN 60745-1, EN 60745-2-11

Wenden Sie sich für weitere Informationen bitte an folgende Black & Decker Anschrift bzw. an die hinten im Handbuch angegebene Anschrift.

Der Unterzeichnete ist für die Zusammenstellung der technischen Datei verantwortlich und gibt diese Erklärung im Namen von Black & Decker ab.



Kevin Hewitt
Vice-President
Global Engineering
Black & Decker Europe,
210 Bath Road, Slough,
Berkshire, SL1 3YD
Vereinigtes Königreich
31/03/2010

Bitte besuchen Sie unsere Webseite www.blackanddecker.de, um Ihr neues Black & Decker- Produkt zu registrieren und über neue Produkte und Sonderangebote informiert zu werden. Weitere Informationen über die Marke Black & Decker und unsere Produkte finden Sie unter www.blackanddecker.de.

Garantie

Black & Decker vertraut auf die Qualität der eigenen Geräte und bietet dem Käufer eine außergewöhnliche Garantie. Diese Garantiezusage versteht sich unbeschadet der gesetzlichen Gewährleistungsansprüche und schränkt diese keinesfalls ein. Sie gilt in sämtlichen Mitgliedsstaaten der Europäischen Union und der Europäischen Freihandelszone EFTA.

Tritt innerhalb von 24 Monaten ab Kaufdatum an einem Gerät von Black & Decker ein auf Material- oder Verarbeitungsfehler zurückzuführender Mangel auf, garantiert Black & Decker den Austausch defekter Teile, die Reparatur von Geräten mit üblichem Verschleiß bzw. den Austausch eines mangelhaften Gerätes, ohne dass dem Kunden dabei mehr als unvermeidlich Unannehmlichkeiten entstehen, allerdings vorbehaltlich folgender Ausnahmen:

- ◆ wenn das Gerät gewerblich, beruflich oder im Verleihgeschäft benutzt wurde;
- ◆ wenn das Gerät missbräuchlich verwendet oder mit mangelnder Sorgfalt behandelt wurde;
- ◆ wenn das Gerät durch irgendwelche Fremdeinwirkung beschädigt wurde;
- ◆ wenn ein unbefugter Reparaturversuch durch anderes Personal als das einer Vertragswerkstatt oder des Black & Decker-Kundendienstes unternommen wurde.

Zur Inanspruchnahme dieser Garantie ist dem Verkäufer bzw. der Vertragswerkstatt ein Kaufnachweis vorzulegen. Die Adresse der zuständigen Niederlassung von Black & Decker steht in dieser Anleitung. Diese teilt Ihnen gerne die nächstgelegene Vertragswerkstatt mit. Außerdem ist eine Liste der Vertragswerkstätten und aller Kundendienststellen von Black & Decker sowie der zuständigen Ansprechpartner im Internet zu finden unter: www.2helpU.com

Utilisation prévue

Votre scie sauteuse Black & Decker a été spécialement conçue pour scier le bois, le plastique et le métal en feuillard. Cet outil a été conçu pour une utilisation exclusivement domestique.

Instructions de sécurité

Consignes de sécurité générales pour les outils électriques



Attention ! Prenez connaissance de tous les avertissements de sécurité et de toutes les instructions. Le non-respect des avertissements et des instructions indiqués ci-dessous peut entraîner une électrocution, un incendie ou de graves blessures.

Conservez tous les avertissements et instructions pour référence future. La notion d'« outil électroportatif » mentionnée par la suite se rapporte à des outils électriques raccordés au secteur (avec câble de raccordement) ou fonctionnant sur piles (sans fil).

1. Sécurité de la zone de travail

- a. **Maintenez la zone de travail propre et bien éclairée.** Un lieu de travail en désordre ou mal éclairé augmente le risque d'accidents.
- b. **N'utilisez pas les outils électroportatifs dans un environnement présentant des risques d'explosion ni en présence de liquides, gaz ou poussières inflammables.** Les outils électroportatifs génèrent des étincelles risquant d'enflammer les poussières ou les vapeurs.
- c. **Tenez les enfants et autres personnes éloignés durant l'utilisation de l'outil électroportatif.** En cas d'inattention, vous risquez de perdre le contrôle sur l'outil.

2. Sécurité électrique

- a. **La fiche de secteur de l'outil électroportatif doit convenir à la prise de courant. Ne modifiez en aucun cas la fiche. N'utilisez pas de fiches d'adaptateur avec des outils ayant une prise de terre.** Les fiches non modifiées et les prises de courant appropriées réduisent le risque d'électrocution.
- b. **Évitez le contact physique avec des surfaces mises à la terre telles que tuyaux, radiateurs, fours et réfrigérateurs.** Il y a un

risque élevé d'électrocution si votre corps est relié à la terre.

- c. **N'exposez pas l'outil électroportatif à la pluie ni à l'humidité.** La pénétration d'eau dans un outil électroportatif augmente le risque d'électrocution.
 - d. **Préservez le câble d'alimentation. N'utilisez pas le câble à d'autres fins que celles prévues, notamment pour porter l'outil, l'accrocher voire le débrancher de la prise de courant. Maintenez le câble éloigné des sources de chaleur, des parties grasses, des bords tranchants ou des parties de l'outil en rotation.** Un câble endommagé ou enchevêtré augmente le risque d'électrocution.
 - e. **Si vous utilisez l'outil électroportatif à l'extérieur, utilisez une rallonge homologuée pour utilisation à l'air libre.** L'utilisation d'une rallonge électrique homologuée pour les applications extérieures réduit le risque d'électrocution.
 - f. **Si l'usage d'un outil dans un emplacement humide est inévitable, utilisez une alimentation protégée par un dispositif à courant différentiel résiduel (RCD).** L'usage d'un RCD réduit le risque de choc électrique.
- #### 3. Sécurité personnelle
- a. **Restez vigilant, surveillez ce que vous faites. Faites preuve de bon sens quand vous utilisez l'outil électroportatif. N'utilisez pas l'outil lorsque vous êtes fatigué ou après avoir consommé de l'alcool, des drogues voire des médicaments.** Un moment d'inattention lors de l'utilisation de l'outil peut entraîner de graves blessures.
 - b. **Utilisez un équipement de protection personnelle. Portez toujours une protection pour les yeux.** Les équipements de protection personnelle tels que les masques anti-poussières, chaussures de sécurité antidérapantes, casques ou protections acoustiques utilisés dans des conditions appropriées réduisent les blessures.
 - c. **Évitez toute mise en marche involontaire. Vérifiez que l'interrupteur est en position arrêt avant de brancher l'outil au secteur ou au bloc de batteries, de le prendre ou de le porter.** Transporter les outils en avec le doigt sur l'interrupteur ou les brancher avec l'interrupteur en position de marche est une source d'accidents.

- d. **Enlevez tout outil ou clé de réglage avant de mettre l'outil en marche.** Une clé ou un outil se trouvant sur une partie en rotation peut causer des blessures.
- e. **Adoptez une position confortable. Adoptez une position stable et gardez votre équilibre à tout moment.** Vous contrôlerez mieux l'outil dans des situations inattendues.
- f. **Portez des vêtements appropriés. Ne portez pas de vêtements flottants ou de bijoux. N'approchez pas les cheveux, vêtements ou gants des parties des pièces mobiles.** Les vêtements amples, les bijoux ou les cheveux longs peuvent être attrapés dans les pièces en mouvement.
- g. **Si des dispositifs servant à aspirer ou à recueillir les poussières doivent être utilisés, vérifiez qu'ils sont correctement raccordés et utilisés.** Le fait d'aspirer la poussière permet de réduire les risques inhérents à la poussière.

4. Utilisation des outils électroportatifs et précautions

- a. **Ne surchargez pas l'outil. Utilisez l'outil électroportatif approprié pour le travail à effectuer.** Avec l'outil électroportatif approprié, vous travaillerez mieux et avec plus de sécurité à la vitesse pour laquelle il a été conçu.
- b. **N'utilisez pas un outil électroportatif dont l'interrupteur est défectueux.** Un outil électroportatif qui ne peut plus être mis en ou hors fonctionnement est dangereux et doit être réparé.
- c. **Déconnectez la prise de la source d'alimentation ou le pack-batterie de l'outil électrique avant tout réglage, changement d'accessoire voire rangement des outils électriques.** Cette mesure de précaution empêche une mise en marche par mégarde.
- d. **Rangez les outils électroportatifs hors de portée des enfants. Ne laissez pas les personnes n'étant pas familiarisées avec l'outil ou n'ayant pas lu ces instructions l'utiliser.** Les outils électroportatifs sont dangereux lorsqu'ils sont utilisés par des personnes non initiées.
- e. **Prenez soin des outils électroportatifs. Vérifiez que les parties en mouvement fonctionnent correctement et qu'elles ne sont pas coincées ; vérifiez qu'il n'y a pas de pièces cassées ou**

- endommagées susceptibles de nuire au bon fonctionnement de l'outil. S'il est endommagé, faites réparer l'outil avant de l'utiliser.** De nombreux accidents sont dus à des outils électroportatifs mal entretenus.
- f. **Maintenez les outils de coupe aiguisés et propres.** Des outils soigneusement entretenus avec des bords tranchants bien aiguisés se coincent moins souvent et peuvent être guidés plus facilement.
- g. **Utilisez l'outil électrique, les accessoires et forets, etc. conformément à ces instructions, en tenant compte des conditions de travail et des tâches à effectuer.** L'utilisation des outils électroportatifs à d'autres fins que celles prévues peut entraîner des situations dangereuses.

5. Réparations

- a. **Faites réparer votre outil électroportatif uniquement par du personnel qualifié et seulement avec des pièces de rechange d'origine.** Cela garantira le maintien de la sécurité de votre outil.

Avertissements de sécurité supplémentaires pour les outils électriques



Attention ! Avertissements de sécurité supplémentaires pour les scies sauteuses et alternatives.

- ◆ **Tenez l'outil uniquement par les surfaces isolées des poignées si l'opération effectuée peut mettre la lame en contact avec des câbles électriques cachés ou son propre cordon électrique.** Le contact de l'accessoire de coupe avec un câble sous tension met les parties métalliques de l'outil sous tension et peut provoquer une électrocution de l'utilisateur.
- ◆ **Utilisez des fixations ou tout autre moyen pratique pour fixer et soutenir la pièce à ouvrir sur une plate-forme stable.** Si vous tenez la pièce à la main ou contre votre corps, elle est instable et vous pouvez en perdre le contrôle.
- ◆ **Maintenez les mains éloignées de la zone de coupe.** Ne passez jamais la main sous la pièce à ouvrir, quelle que soit la raison. N'insérez pas les doigts ou les pouces à proximité de la lame alternative et de son blocage. Ne stabilisez pas la scie en saisissant sa semelle.

- ◆ **Affûtez les lames.** Avec des lames émoussées ou endommagées, la scie peut faire un écart ou caler sous la pression. Utilisez toujours le type de lame de scie approprié aux matériaux de la pièce à scier et le bon type de coupe.
- ◆ Pour couper un tuyau ou un conduit, assurez-vous qu'il ne contient pas d'eau, de câble électrique, etc.
- ◆ Ne touchez pas la pièce à ouvrir ou la lame juste après avoir utilisé l'outil. Elles peuvent être très chaudes.
- ◆ Faites attention aux risques potentiels: avant de couper les murs, planchers ou plafonds, vérifiez l'emplacement des câblages et tuyaux.
- ◆ La lame continue son mouvement après avoir libéré l'interrupteur. Eteignez toujours l'outil et attendez que la lame de la scie se soit complètement arrêtée avant de poser l'outil.

Attention ! L'inhalation ou le contact avec des poussières de sciure peuvent mettre en péril la santé de l'utilisateur et des personnes à proximité. Portez un masque contre la poussière spécialement conçu pour vous protéger des sciures et des fumées toxiques. Veillez également à ce que les personnes se trouvant à l'intérieur de la zone de travail ou y pénétrant soient également protégées.

- ◆ Cet outil n'est pas destiné à être utilisé par des personnes (notamment des enfants) présentant des capacités physiques, sensorielles ou mentales limitées voire dépourvues de connaissance et d'expérience, sauf si elles sont supervisées ou ont reçu des instructions pour l'usage de l'appareil par une personne responsable de leur sécurité. Les enfants ne doivent pas jouer avec l'appareil.
- ◆ Le domaine d'utilisation de l'outil est décrit dans le présent manuel. L'utilisation d'accessoires ou la réalisation d'opérations avec cet outil autres que ceux recommandés dans le présent manuel peut entraîner un risque de blessure ou de dégâts.

Sécurité des tiers

- ◆ Cet appareil n'est pas destiné à être utilisé par des personnes (notamment des enfants) présentant des capacités physiques, sensorielles ou mentales limitées voire dépourvues de connaissance et d'expérience, sauf si elles sont supervisées ou ont reçu des instructions pour l'usage de l'appareil par une personne responsable de leur sécurité.

- ◆ Les enfants ne doivent pas jouer avec l'appareil.

Risques résiduels.

L'utilisation d'un outil non mentionné dans les consignes de sécurité données peut entraîner des risques résiduels supplémentaires. Ces risques peuvent survenir si l'outil est mal utilisé, si l'utilisation est prolongée, etc.

Malgré l'application des normes de sécurité correspondantes et la présence de dispositifs de sécurité, les risques résiduels suivants ne peuvent être évités. Ceci comprend:

- ◆ **Les blessures dues au contact avec une pièce mobile/en rotation.**
- ◆ **Les blessures causées en changeant des pièces, lames ou accessoires.**
- ◆ **Les blessures dues à l'utilisation prolongée d'un outil. Une utilisation prolongée de l'outil nécessite des pauses régulières.**
- ◆ **Déficience auditive.**
- ◆ **Risques pour la santé causés par l'inhalation de poussières produites pendant l'utilisation de l'outil (exemple: travail avec du bois, surtout le chêne, le hêtre et les panneaux en MDF).**

Vibration

Les valeurs des émissions de vibrations mentionnées dans les données techniques et la déclaration de conformité ont été mesurées conformément à la méthode de test normalisée indiquée par EN 60745 et permettent les comparaisons entre outils. Les valeurs des émissions de vibrations peuvent également servir à une évaluation préliminaire de l'exposition.

Attention ! Les valeurs des émissions de vibrations en utilisant réellement l'outil peuvent différer des valeurs déclarées en fonction du mode d'usage de l'outil. Le niveau de vibration peut dépasser le niveau indiqué.

Pour évaluer l'exposition aux vibrations afin de déterminer les mesures de sécurité imposées par 2002/44/CE pour protéger les personnes utilisant régulièrement des outils électriques, une estimation de l'exposition aux vibrations devrait prendre en compte les conditions réelles et le mode d'utilisation de l'outil, notamment l'ensemble du cycle de fonctionnement ainsi l'arrêt de l'outil et son fonctionnement au ralenti, outre le démarrage.

Étiquettes apposées sur l'outil

Les pictogrammes suivants sont présents sur l'outil:



Attention ! Afin de réduire les risques de blessures, l'utilisateur doit lire le manuel d'instructions.

Sécurité électrique



L'outil est doublement isolé ; par conséquent, aucun câble de masse n'est nécessaire. Vérifiez si le voltage mentionné sur la plaque signalétique de la machine correspond bien à la tension de secteur présente sur lieu.

- ◆ Si le câble d'alimentation est endommagé, il doit être remplacé par le fabricant ou par un centre de réparation agréé Black & Decker afin d'éviter tout accident.

Caractéristiques

Cet outil comprend toutes ou certaines des caractéristiques suivantes:

1. Interrupteur marche/arrêt
2. Bouton de verrouillage
3. Orifice d'évacuation de la poussière
4. Patin
5. Galet de support de la lame

Fig. E

6. Compartiment de rangement des lames (KS602E & KS603E)

Montage

Attention ! Avant d'effectuer l'une des opérations suivantes, assurez-vous que l'outil est bien éteint et débranché et que la lame a cessé de tourner. Après usage, les lames de scie peuvent être chaudes.

Réglage du galet de support de lame de scie (fig. A & B)

- ◆ Desserrez les deux vis (8).
- ◆ Enfoncez le galet de support de lame (5) vers l'avant jusqu'à ce qu'il touche le bord arrière de la lame de scie (7).
- ◆ Serrez les deux vis (8).

Installation et retrait de la lame de scie (fig. C)

- ◆ Avant d'installer ou de retirer la lame de scie (7), il convient de régler son galet de support (5) en position arrière afin qu'il ne touche pas la lame.

- ◆ Desserrez (sans les retirer) les deux vis (10).
- ◆ Tenez la lame de scie (7) avec les dents pointées vers l'avant.
- ◆ Enfoncez aussi loin que possible la tige de la lame de scie (7) dans le support de lame (9)
- ◆ Serrez légèrement les deux vis (10) en alternant afin de positionner la lame puis serrez-les à fond (10).
- ◆ Réglez le galet de support de lame de scie (5) comme indiqué ci-dessus.
- ◆ Pour retirer la lame de scie (7), donnez un tour dans le sens anti-horaire aux deux vis (10).

Branchement d'un aspirateur sur l'outil (fig. D)

Vous aurez besoin d'un adaptateur (11) pour brancher un aspirateur ou un système d'aspiration de la poussière sur l'outil. Vous pourrez vous en procurer un auprès de votre détaillant agréé Black & Decker.

- ◆ Poussez l'adaptateur (11) dans l'orifice d'aspiration de la poussière (3).
- ◆ Raccordez le tuyau de l'aspirateur (12) à l'adaptateur (11).

Rangement de lame de scie (KS602E & KS603E uniquement) (fig. E)

Les lames de scie (7) peuvent être rangées dans le compartiment de rangement (6) situé sur le côté de l'outil.

- ◆ Ouvrez le couvercle du compartiment de rangement de lame de scie (6) en tenant la languette en haut de la trappe puis en tirant vers le bas.
- ◆ Retirez ou rangez les lames de scie (7) dans le compartiment de rangement (6).
- ◆ Fermez le couvercle du compartiment de rangement de lame de scie (6) et assurez-vous que son loquet est verrouillé.

Souffleur de ligne de coupe (fig. F)

- ◆ Afin d'améliorer la visibilité pendant la coupe, votre scie sauteuse comporte un souffleur de ligne de coupe (13) qui élimine toute la sciure qui s'accumule dans la ligne pendant que vous sciez.

Utilisation

Réglage du patin pour les coupes en biseau (fig. G)

Le patin peut être réglé pour réaliser une coupe rectiligne ou une coupe en biseau - à gauche ou à droite - selon un angle de 45°.

- ◆ Desserrez les vis (8).
- ◆ Tirez le patin (4) en avant, faites-le pivoter (4) à gauche ou à droite puis repoussez-le en place à 45°.
- ◆ Enfoncez le galet de support de lame (5) vers l'avant jusqu'à ce qu'il touche la lame de scie (7).
- ◆ Serrez les vis (8).

Pour replacer le patin en position de coupes droites:

- ◆ Desserrez les vis (8).
- ◆ Tirez le patin (4) en avant, faites-le tourner au centre puis repoussez-le en position 0°.
- ◆ Enfoncez le galet de support de lame (5) vers l'avant jusqu'à ce qu'il touche la lame de scie (7).
- ◆ Serrez les vis (8).

Variateur de vitesse

L'outil comporte un variateur de vitesse (1). La vitesse de travail dépend de la force que vous exercez sur le variateur.

- ◆ Utilisez une vitesse rapide pour le bois, moyenne pour l'aluminium et le PVC et faible pour les métaux autres que l'aluminium.

Démarrage et arrêt

- ◆ Pour allumer l'outil, appuyez sur l'interrupteur marche/arrêt (1).
- ◆ Pour éteindre l'outil, relâchez l'interrupteur marche/arrêt (1).
- ◆ Pour un fonctionnement en continu, appuyez sur le bouton de verrouillage (2) et relâchez l'interrupteur marche/arrêt (1).
- ◆ Pour éteindre l'outil lorsqu'il est en mode de travail en continu, appuyez sur l'interrupteur de mise en marche (1) et relâchez-le.

Conseils pour une utilisation optimale

- ◆ Maintenez fermement l'outil avec les deux mains pendant la coupe.
- ◆ Le patin doit être pressé fermement contre le matériau à couper. Vous éviterez ainsi les sursauts de la scie tout en réduisant les vibrations et en minimisant le nombre de lames cassées.
- ◆ Laissez la lame tourner librement pendant quelques secondes avant de commencer la coupe.
- ◆ Appuyez légèrement sur l'outil pendant que vous sciez.

Comment scier du contreplaqué

Pendant la coupe du contreplaqué, des éclats sont possibles, susceptibles d'endommager la surface de présentation. Le plus souvent les lames de scies coupent sur la course montante. De ce fait, si le patin repose sur la surface de présentation, vous pouvez soit utiliser une lame de scie coupant sur la course descendante ou:

- ◆ Utilisez une lame de scie à dents fines.
- ◆ Sciez sur l'envers de la pièce.
- ◆ Fixez une chute de bois ou une planche au-dessus et en dessous de la pièce et coupez au travers de cette superposition afin de minimiser les éclats.

Scier du métal

- ◆ Souvenez-vous qu'il est beaucoup plus long de scier des métaux que de scier du bois.
- ◆ Utilisez une lame de scie adaptée pour scier le métal.
- ◆ Pour couper des feuillards de métal fins, fixez une chute de bois sur l'envers de la pièce et découpez à travers cette superposition.
- ◆ Répandez une fine couche d'huile le long de la ligne de coupe avant de scier.

Entretien

Votre outil Black & Decker a été conçu pour fonctionner pendant longtemps avec un minimum d'entretien. Un fonctionnement satisfaisant et durable dépend d'un nettoyage régulier et d'un entretien approprié.

Attention ! Avant toute tâche de maintenance ou de nettoyage, assurez-vous que l'outil est éteint et débranché du secteur et que la lame de scie est arrêtée.

- ◆ Nettoyez régulièrement les orifices de ventilation de votre outil et le chargeur à l'aide d'une brosse douce ou d'un chiffon sec.
- ◆ Nettoyez régulièrement le compartiment du moteur à l'aide d'un chiffon humide. N'utilisez pas de produit abrasif ou à base de solvant. Aucun liquide ne doit pénétrer dans l'outil. N'immergez jamais une pièce de l'outil dans un liquide.

Protection de l'environnement



Collecte séparée. Ce produit ne doit pas être jeté avec les déchets domestiques normaux.

Si vous décidez de remplacer ce produit Black & Decker, ou si vous n'en avez plus l'utilité,

ne le jetez pas avec vos déchets domestiques
Rendez-le disponible pour une collecte séparée.



La collecte séparée des produits et emballages usés permet le recyclage des articles afin de les utiliser à nouveau. Le fait d'utiliser à nouveau des produits recyclés permet d'éviter la pollution environnementale et de réduire la demande de matières premières.

Les réglementations locales peuvent permettre la collecte séparée des produits électriques du foyer, dans des déchetteries municipales ou auprès du revendeur vous ayant vendu votre nouveau produit.

Black & Decker fournit un dispositif permettant de collecter et de recycler les produits Black & Decker lorsqu'ils ont atteint la fin de leur cycle de vie. Pour pouvoir profiter de ce service, veuillez retourner votre produit à un réparateur agréé qui se chargera de le collecter pour nous.

Pour connaître l'adresse du réparateur agréé le plus proche de chez vous, contactez le bureau Black & Decker à l'adresse indiquée dans ce manuel. Vous pourrez aussi trouver une liste des réparateurs agréés de Black & Decker et de plus amples détails sur notre service après-vente sur le site Internet à l'adresse suivante:

www.2helpU.com

Caractéristiques techniques

		KS600E/KS601E KS602E/KS603E(Type 1)
Tension	V_{AC}	230
Puissance absorbée	W	450
Vitesse à vide	min^{-1}	0-3.000
Profondeur de coupe max.		
Bois	mm	60
Acier	mm	5
Aluminium	mm	10
Poids	kg	1,9

Niveau de pression acoustique selon EN 60745:
Pression acoustique (L_{pA}) 89 dB(A), incertitude (K) 3 dB(A), Puissance acoustique (L_{WA}) 100 dB(A), incertitude (K) 3 dB(A)

Valeurs totales de vibration (somme vectorielle triax) selon EN 60745:

Coupe du bois ($a_{h,cw}$) 7,7 m/s^2 , incertitude (K) 2,4 m/s^2 , Coupe du métal ($a_{h,cm}$) 9,1 m/s^2 , incertitude (K) 1,5 m/s^2

Déclaration de conformité CE

DIRECTIVE MACHINES



KS600E/KS601E/KS602E/KS603E

Black & Decker déclare que ces produits décrits sous les «caractéristiques techniques» sont conformes avec: 2006/42/CE, EN 60745-1, EN 60745-2-11

Pour en savoir plus, veuillez contacter Black & Decker à l'adresse suivante ou consultez le dos du manuel.

Le soussigné est responsable de la compilation du fichier technique et effectue cette déclaration au nom de Black & Decker.

Kevin Hewitt
Vice-président
Ingénierie globale
Black & Decker Europe,
210 Bath Road, Slough,
Berkshire, SL1 3YD
Royaume Uni
31/03/2010

Garantie

Black & Decker vous assure la qualité de ses produits et vous offre une garantie très étendue. Ce certificat de garantie est un document supplémentaire et ne peut en aucun cas se substituer à vos droits légaux. La garantie est valable sur tout le territoire des États Membres de l'Union Européenne et de la Zone de Libre Échange Européenne.

Si un produit Black & Decker s'avère défectueux en raison de matériaux en mauvais état, d'une erreur humaine, ou d'un manque de conformité dans les 24 mois suivant la date d'achat, Black & Decker garantit le remplacement des pièces défectueuses, la réparation des produits usés ou cassés ou remplace ces produits à la convenance du client, sauf dans les circonstances suivantes :

- ◆ Le produit a été utilisé dans un but commercial, professionnel, ou a été loué.
- ◆ Le produit a été mal utilisé ou avec négligence.
- ◆ Le produit a subi des dommages à cause de corps étrangers, de substances ou d'accidents.
- ◆ Des réparations ont été tentées par des techniciens ne faisant pas partie du service technique de Black & Decker.

Pour avoir recours à la garantie, il est nécessaire de fournir une preuve d'achat au vendeur ou à un réparateur agréé. Pour connaître l'adresse du réparateur agréé le plus proche de chez vous, contactez le bureau Black & Decker à l'adresse indiquée dans ce manuel. Vous pourrez aussi trouver une liste de réparateurs agréés de Black & Decker et de plus amples détails sur notre service après-vente sur le site Internet à l'adresse suivante: **www.2helpU.com**

Visitez notre site Web

www.blackanddecker.fr pour enregistrer votre nouveau produit Black & Decker et être informé des nouveaux produits et des offres spéciales. Pour plus d'informations concernant la marque Black & Decker et notre gamme de produits, consultez notre site **www.blackanddecker.fr**.

Použití výrobku

Vaše přímočará pila Black & Decker je určena k řezání dřeva, plastů a tabulových plechů. Toto nářadí je určeno pouze pro spotřebitelské použití.

Bezpečnostní pokyny

Všeobecné bezpečnostní pokyny pro práci s elektrickým nářadím



Varování! Přečtěte si všechny bezpečnostní pokyny a bezpečnostní výstrahy. Nedodržení níže uvedených pokynů může mít za následek úraz elektrickým proudem, vznik požáru nebo vážné poranění.

Veškerá bezpečnostní varování a pokyny uschovejte pro případné další použití. Termín „elektrické nářadí“ ve všech upozorněních odkazuje na vaše nářadí napájené ze sítě (je opatřeno napájecím kabelem) nebo nářadí napájené baterií (bez napájecího kabelu).

1. **Bezpečnost na pracovišti**
 - a. **Pracovní prostor udržujte čistý a dobře osvětlený.** Přeplněný a neosvětlený pracovní prostor může vést k zpusobení úrazů.
 - b. **Nepracujte s elektrickým nářadím ve výbušném prostředí, jako jsou například prostory s výskytem hořlavých kapalin, plynů nebo prašných látek.** V elektrickém nářadí dochází k jiskření, které může způsobit vznícení hořlavého prachu nebo výparů.
 - c. **Při práci s elektrickým nářadím zajistěte bezpečnou vzdálenost dětí a ostatních osob.** Rozptylování může způsobit ztrátu kontroly nad nářadím.
2. **Elektrická bezpečnost**
 - a. **Zástrčka napájecího kabelu nářadí musí odpovídat zásuvce. Zástrčku nikdy žádným způsobem neupravujte. Nepoužívejte u uzemněného elektrického nářadí žádné upravené zástrčky.** Neupravované zástrčky a odpovídající zásuvky snižují riziko vzniku úrazu elektrickým proudem.
 - b. **Nedotýkejte se uzemněných povrchů, jako jsou například potrubí, radiátory, elektrické sporáky a chladničky.** Při uzemnění vašeho těla vzrůstá riziko úrazu elektrickým proudem.
 - c. **Nevystavujte elektrické nářadí dešti nebo vlhkému prostředí.** Vnikne-li do elektrického nářadí voda, zvýší se riziko úrazu elektrickým proudem.
 - d. **S napájecím kabelem zacházejte opatrně. Nikdy nepoužívejte napájecí kabel k přenášení nebo posouvání nářadí a netahajte za něj, chcete-li nářadí odpojit od elektrické sítě. Zabraňte kontaktu kabelu s mastnými, horkými a ostrými předměty nebo pohyblivými částmi.** Poškozený nebo zauzlený napájecí kabel zvyšuje riziko úrazu elektrickým proudem.
 - e. **Při práci s nářadím venku používejte prodlužovací kabely určené pro venkovní použití.** Použití kabelu pro venkovní použití snižuje riziko úrazu elektrickým proudem.
 - f. **Při práci s elektrickým nářadím ve vlhkém prostředí musí být v napájecím okruhu použit proudový chránič (RCD).** Použití proudového chrániče (RCD) snižuje riziko úrazu elektrickým proudem.
3. **Bezpečnost obsluhy**
 - a. **Při použití elektrického nářadí zůstaňte stále pozorní, sledujte, co provádíte a pracujte s rozvahou. Nepoužívejte elektrické nářadí, jste-li unaveni nebo jste-li pod vlivem drog, alkoholu nebo léků.** Chvilka nepozornosti při práci s elektrickým nářadím může vést k vážnému úrazu.
 - b. **Používejte prvky osobní ochrany. Vždy používejte ochranu zraku.** Ochranné prostředky jako respirátor, neklouzavá pracovní obuv, přilba a chrániče sluchu, používané v příslušných podmínkách, snižují riziko poranění osob.
 - c. **Zabraňte náhodnému spuštění. Před připojením zdroje napětí nebo před vložením baterie a před zvednutím nebo přenášením nářadí zkontrolujte, zda je vypnutý hlavní spínač.** Přenášení elektrického nářadí s prstem na hlavním spínači nebo připojení napájecího kabelu k elektrické síti, je-li hlavní spínač nářadí v poloze zapnuto, může způsobit úraz.
 - d. **Před spuštěním nářadí se vždy ujistěte, zda nejsou v jeho blízkosti klíče nebo seřizovací přípravky.** Seřizovací klíče ponechané na nářadí mohou být zachyceny rotujícími částmi nářadí a mohou způsobit úraz.
 - e. **Nepřekázejte sami sobě. Při práci vždy udržujte vhodný a pevný postoj.** Tak je umožněna lepší ovladatelnost nářadí v neočekávaných situacích.
 - f. **Vhodně se oblekejte. Nenoste volný oděv nebo šperky. Dbejte na to, aby se**

vaše vlasy, oděv a rukavice nedostaly do kontaktu s pohyblivými částmi. Volný oděv, šperky nebo dlouhé vlasy mohou být pohyblivými díly zachyceny.

- g. Jsou-li zařízení vybavena adaptérem pro připojení zařízení k zachytávání prachu, zajistěte jeho správné připojení a řádnou funkci. Použití těchto zařízení může snížit nebezpečí týkající se prachu.
4. Použití elektrického nářadí a jeho údržba
- a. Nepřetěžujte elektrické nářadí. Používejte správný typ nářadí pro prováděnou práci. Při použití správného typu nářadí bude práce provedena lépe a bezpečněji.
- b. Pokud nelze hlavní spínač nářadí zapnout a vypnout, s nářadím nepracujte. Každé elektrické nářadí s nefunkčním hlavním spínačem je nebezpečné a musí být opraveno.
- c. Před seřizováním nářadí, před výměnou příslušenství nebo pokud nářadí nepoužíváte, odpojte zástrčku napájecího kabelu od zásuvky nebo z nářadí vyjměte baterii. Tato preventivní bezpečnostní opatření snižují riziko náhodného spuštění nářadí.
- d. Uložte elektrické nářadí mimo dosah dětí a nedovolte ostatním osobám, které toto nářadí neumí ovládat nebo které neznají tyto bezpečnostní pokyny, aby s tímto elektrickým nářadím pracovaly. Elektrické nářadí je v rukou ne kvalifikované obsluhy nebezpečné.
- e. Provádějte údržbu elektrického nářadí. Zkontrolujte vychýlení nebo zablokování pohyblivých částí, poškození jednotlivých dílů a jiné okolnosti, které mohou ovlivnit chod nářadí. Je-li nářadí poškozeno, nechejte jej před použitím opravit. Mnoho nehod bývá způsobeno zanedbanou údržbou nářadí.
- f. Řezné nástroje udržujte ostré a čisté. Řádně udržované řezné nástroje s ostrými řeznými břity jsou méně náchylné k zanášení nečistotami a lépe se ovládají.
- g. Používejte elektrické nářadí, příslušenství a držáky nástrojů podle těchto pokynů a berte v úvahu provozní podmínky a práci, která bude prováděna. Použití elektrického nářadí k jiným účelům, než k jakým je určeno, může být nebezpečné.

5. Opravy

- a. Opravy elektrického nářadí svěřte pouze kvalifikovanému technikovi, který bude používat originální náhradní díly. Tím zajistíte bezpečný provoz nářadí.

Doplňkové bezpečnostní pokyny pro práci s elektrickým nářadím



Varování! Doplnkové bezpečnostní pokyny pro přímočaré a mečové pily

- ◆ Při pracovních operacích, u kterých by mohlo dojít ke kontaktu se skrytými vodiči nebo s vlastním napájecím kabelem, držte elektrické nářadí vždy za izolovanou rukojeť. Při kontaktu s „živým“ vodičem způsobí neizolované kovové části nářadí obsluze úraz elektrickým proudem.
- ◆ Pro zajištění a upnutí obrobku k pracovnímu stolu používejte svorky nebo jiné vhodné prostředky. Držení obrobku rukou nebo opření obrobku o část těla nezajistí jeho stabilitu a může vést k ztrátě kontroly.
- ◆ Udržujte ruce v bezpečné vzdálenosti od řezného prostoru. Ze žádného důvodu nikdy nesahejte do prostoru pod obrobek. Nevkládejte prsty nebo palec do blízkosti pilového listu a upínací svorky pilového listu. Nepokoušejte se stabilizovat pilu uchopením patky pily.
- ◆ Udržujte pilové listy ostré. Tupé nebo poškozené pilové listy mohou při práci způsobit vychýlení nebo zablokování pilového listu. Vždy používejte typ pilového listu odpovídající materiálu obrobku a typu řezu.
- ◆ Při řezání trubek a potrubí se ujistěte, zda se v nich nenachází elektrické vodiče, voda atd.
- ◆ Nedotýkejte se obrobku nebo pilového listu ihned po ukončení řezu. Mohou být velmi horké.
- ◆ Dávejte pozor na skrytá nebezpečí. Před řezáním do stěn, podlah a stropů zkontrolujte polohu elektrických vodičů a potrubí.
- ◆ Po uvolnění hlavního spínače bude pilový list pokračovat v pohybu. Před odložením pily vždy uvolněte spínač a počkejte, dokud nedojde k úplnému zastavení pilového listu.

Varování! Kontakt nebo vdechování prachu a pilin, které vznikají při řezání, může ohrozit zdraví pracovníka i okolo stojících osob. Používejte masku proti prachu určenou speciálně na ochranu před toxickým prachem a podobnými látkami a zajistěte,

aby byly takto chráněny všechny osoby nacházející se nebo vstupující do pracovního prostoru.

- ◆ Toto nářadí není určeno k použití osobami (včetně dětí) se sníženými fyzickými, smyslovými nebo duševními schopnostmi, nebo s nedostatkem zkušeností a znalostí, pokud těmto osobám nebyl stanoven dohled, nebo pokud jim nebyly poskytnuty instrukce týkající se použití tohoto výrobku osobou odpovědnou za jejich bezpečnost. Děti by měly být pod dozorem, aby si s nářadím nehrály.
- ◆ V tomto návodu je popsáno určené použití tohoto nářadí. Použití jiného příslušenství nebo přídavného zařízení a provádění jiných pracovních operací s tímto nářadím, než je doporučeno tímto návodem, může způsobit poranění obsluhy nebo poškození zařízení.

Bezpečnost ostatních osob

- ◆ Tento výrobek není určen k použití osobami (včetně dětí) se sníženými fyzickými, smyslovými nebo duševními schopnostmi, nebo s nedostatkem zkušeností a znalostí, pokud těmto osobám nebyl stanoven dohled, nebo pokud jim nebyly poskytnuty instrukce týkající se použití výrobku osobou odpovědnou za jejich bezpečnost.
- ◆ Děti by měly být pod dozorem, aby si se zařízením nehrály.

Zbytková rizika.

Je-li nářadí používáno jiným způsobem, než je uvedeno v příložených bezpečnostních varováních, mohou se objevit dodatečná zbytková rizika. Tato rizika mohou vzniknout v důsledku nesprávného použití, dlouhodobého použití atd.

Přestože jsou dodržovány příslušné bezpečnostní předpisy a jsou používána bezpečnostní zařízení, určitá zbytková rizika nemohou být vyloučena. Tato rizika jsou následující:

- ◆ **Zranění způsobená kontaktem s jakoukoli rotující nebo pohybující se částí.**
- ◆ **Zranění způsobená při výměně dílů, pracovního nástroje nebo příslušenství.**
- ◆ **Zranění způsobená dlouhodobým použitím nářadí. Používáte-li jakékoli nářadí delší dobu, zajistěte, aby byly prováděny pravidelné přestávky.**
- ◆ **Poškození sluchu.**
- ◆ **Zdravotní rizika způsobená vdechováním prachu vytvářeného při použití nářadí (příklad: - práce se dřevem, zejména s dubovým, bukovým a MDF).**

Vibrace

Deklarovaná úroveň vibrací uvedená v technických údajích a v prohlášení o shodě byla měřena v souladu se standardní zkušební metodou předepsanou normou EN 60745 a může být použita pro srovnání jednotlivých nářadí mezi sebou. Deklarovaná úroveň vibrací může být také použita k předběžnému stanovení doby práce s tímto nářadím.

Varování! Úroveň vibrací při aktuálním použití elektrického nářadí se může od deklarované úrovně vibrací lišit v závislosti na způsobu použití nářadí. Úroveň vibrací může být vzhledem k uvedené hodnotě vyšší.

Při stanovení doby působení vibrací, z důvodu určení bezpečnostních opatření podle normy 2002/44/EC k ochraně osob pravidelně používajících elektrické nářadí v zaměstnání, by měl předběžný odhad působení vibrací brát na zřetel aktuální podmínky použití nářadí s přihlédnutím na všechny části pracovního cyklu, jako jsou doby, při kterých je nářadí vypnuto a kdy běží naprázdno.

Štítky na nářadí

Na nářadí jsou následující piktogramy:



Varování! Z důvodu snížení rizika způsobení úrazu si uživatel musí přečíst tento návod k obsluze.

Elektrická bezpečnost



Toto nářadí je opatřeno dvojitou izolací. Proto není nutné použití uzemňovacího vodiče. Vždy zkontrolujte, zda napájecí napětí odpovídá napětí na výkonovém štítku.

- ◆ Je-li poškozen napájecí kabel, musí být vyměněn výrobcem nebo v autorizovaném servisu Black & Decker, aby bylo zabráněno možným rizikům.

Popis

Toto nářadí se skládá z některých nebo ze všech následujících částí:

1. Spínač zapnuto/vypnuto
2. Zajišťovací tlačítko
3. Výstup pro odvod prachu
4. Základna pily
5. Podpěrná kladka pilového listu

Obr. E

6. Úložný prostor pro pilový list (KS602E a KS603E)

Sestavení

Varování! Před provedením následujících operací se ujistěte, zda je nářadí vypnuto, odpojeno od zdroje napětí a zda došlo k úplnému zastavení pilového listu. Použitě pilové listy mohou být horké.

Nastavení podpěrné kladky pilového listu (obr. A a B)

- ◆ Uvolněte šrouby (8).
- ◆ Zatlačte podpěrnou kladku pilového listu (5) dopředu tak, aby se dotýkala zadní hrany pilového listu (7).
- ◆ Přitáhněte šrouby (8).

Nasazení a vyjmutí pilového listu (obr. C)

- ◆ Před nasazením nebo vyjmutím pilového listu (7) musí být podpěrná kladka pilového listu (5) nastavena do zadní polohy tak, aby nebyla v kontaktu s pilovým listem.
- ◆ Uvolněte (ale neodstraňujte) šrouby (10).
- ◆ Uchopte pilový list (7) tak, aby jeho zuby směřovaly dopředu.
- ◆ Zasuňte upínací stopku pilového listu (7) co nejdále do držáku pilového listu (9).
- ◆ Zlehka střídavě dotahujte dva šrouby (10), aby došlo k nastavení správné polohy pilového listu. Potom oba šrouby (10) zcela utáhněte.
- ◆ Podle výše uvedeného postupu nastavte podpěrnou kladku pilového listu (5).
- ◆ Chcete-li pilový list sejmout (7), otočte oba šrouby (10) o jednu otáčku proti směru pohybu hodinových ručiček.

Připojení vysavače k nářadí (obr. D)

Chcete-li k nářadí připojit vysavač nebo odsávací zařízení, musíte použít adaptér (11). Tento adaptér můžete zakoupit u nejbližšího autorizovaného prodejce Black & Decker.

- ◆ Nasuňte adaptér (11) na výstup pro odvod prachu (3).
- ◆ Připojte k adaptéru (11) hadici vysavače (12).

Úložný prostor pro pilový list (pouze KS602E a KS603E) (obr. E)

Pilové listy (7) mohou být uloženy v úložném prostoru (6), který se nachází na boční části nářadí.

- ◆ Otevřete kryt úložného prostoru pro pilové listy (6) uchopením výstupku na horní části krytu a vyklopením krytu směrem ven.

- ◆ Vyjměte nebo uložte pilové listy (7) v úložném prostoru (6).
- ◆ Zavřete kryt úložného prostoru pilových listů (6) a ujistěte se, zda je kryt řádně uzavřen.

Ofukovač čáry řezu (obr. F)

- ◆ Z důvodu zlepšení viditelnosti čáry řezu během řezání je vaše přímochará pila vybavena ofukovačem (13), který bude udržovat čistotu pracovní plochy.

Použití

Nastavení základny pily pro provádění šikmých řezů (obr. G)

Základna pily může být nastavena tak, aby mohly být prováděny přímé řezy nebo levé a pravé šikmé řezy v úhlu 45°.

- ◆ Uvolněte šrouby (8).
- ◆ Posuňte základnu pily (4) dopředu, otočte základnu pily (4) doleva nebo doprava a zatlačte ji do polohy pro 45°.
- ◆ Zatlačte podpěrnou kladku pilového listu (5) dopředu tak, aby se dotýkala pilového listu (7).
- ◆ Utáhněte šrouby (8).

Nastavení základny pily zpět do polohy pro přímé řezy:

- ◆ Uvolněte šrouby (8).
- ◆ Posuňte základnu pily (4) dopředu, otočte ji do středové polohy a zatlačte ji zpět do polohy 0°.
- ◆ Zatlačte podpěrnou kladku pilového listu (5) dopředu tak, aby se dotýkala pilového listu (7).
- ◆ Utáhněte šrouby (8).

Regulace otáček

Nářadí je vybaveno spínačem s plynulou regulací otáček (1). Provozní otáčky závisí na intenzitě stisknutí tohoto spínače.

- ◆ Pro řezání dřeva používejte vysoké otáčky, střední otáčky pro řezání hliníku a plastů a nízké otáčky pro řezání ostatních kovů mimo hliníku.

Zapnutí a vypnutí

- ◆ Chcete-li nářadí zapnout, stiskněte spínač zapnuto/vypnuto (1).
- ◆ Chcete-li nářadí vypnout, uvolněte spínač zapnuto/vypnuto (1).
- ◆ Nepřetržitý chod nářadí zajistíte stisknutím zajišťovacího tlačítka (2) a uvolněním spínače zapnuto/vypnuto (1).
- ◆ Chcete-li nářadí v režimu nepřetržitého chodu vypnout, stiskněte a uvolněte spínač zapnuto/vypnuto (1).

Rady pro optimální použití

- ◆ Během řezání držte nářadí pevně oběma rukama.
- ◆ Základna pily by měla být pevně opřena o materiál, který bude řezán. Tímto způsobem zabráníte odsakování pily, omezíte vibrace a budete minimalizovat poškození pilového listu.
- ◆ Před zahájením řezu nechejte pilový list několik sekund v chodu naprázdno.
- ◆ Při provádění řezu vyvíjejte na nářadí pouze mírný tlak.

Řezání vrstvených materiálů

Při řezání vrstvených materiálů může docházet k štípání, které může způsobit poškození povrchu obrobku. Většina běžných pilových listů provádí řez během pohybu nahoru. Proto v situaci, kdy je základna pily postavena na povrchu obrobku, používejte pilový list, který provádí řez během pohybu dolů nebo:

- ◆ Použijte pilový list s jemnými zuby.
- ◆ Provádějte řez na opačné straně obrobku.
- ◆ Chcete-li minimalizovat štípání obrobku, upněte na obě strany obrobku kousek odpadového dřeva nebo dřevotřísky a proveďte řez přes celou tuto sestavu.

Řezání kovů

- ◆ Uvědomte si, že řezání kovu zabere mnohem více času než řezání dřeva.
- ◆ Používejte pilové listy vhodné pro řezání kovu.
- ◆ Při řezání tenkých kovových plechů upněte na spodní stranu obrobku kousek odpadového dřeva a proveďte řez přes celou tuto sestavu.
- ◆ Naneste podél čáry řezu tenký olejový film.

Údržba

Vaše nářadí Black & Decker bylo zkonstruováno tak, aby pracovalo po dlouhou dobu s minimálními nároky na údržbu. Řádná péče o nářadí a jeho pravidelné čištění vám zajistí jeho bezproblémový chod.

Varování! Před provedením údržby nebo čištění se ujistěte, zda je nářadí vypnuto a odpojeno od zdroje napětí a zda je zcela zastaven pilový list.

- ◆ Větrací otvory nářadí a nabíječky pravidelně čistěte měkkým kartáčem nebo suchým hadříkem.
- ◆ Pomocí vlhkého hadříku pravidelně čistěte kryt motoru. Nepoužívejte žádné abrazivní čisticí prostředky nebo rozpouštědla. Nikdy

nedovolte, aby se do nářadí dostala jakákoli kapalina. Nikdy neponořujte žádnou část nářadí do kapaliny.

Výměna síťové zástrčky (pouze pro Velkou Británii a Irsko)

Budete-li instalovat novou zástrčku napájecího kabelu:

- ◆ Zajistěte ekologické odstranění staré zástrčky.
- ◆ Připojte hnědý vodič ke svorce pod napětím na nové zástrčce.
- ◆ Modrý vodič připojte k nulové svorce.

Varování! K uzemňovací svorce nesmí být připojen žádný vodič. Dodržujte montážní pokyny dodávané s kvalitními zástrčkami. Doporučená pojistka: 5 A.

Ochrana životního prostředí



Třídte odpad. Tento výrobek nesmí být vyhozen do běžného domácího odpadu.

Pokud nebudete výrobek Black & Decker dále používat nebo přejete-li si jej nahradit novým, nelikvidujte jej spolu s běžným komunálním odpadem. Zlikvidujte tento výrobek v tříděném odpadu.



Tříděný odpad umožňuje recyklaci a opětovné využití použitých výrobků a obalových materiálů. Opětovné použití recyklovaných materiálů pomáhá chránit životní prostředí před znečištěním a snižuje spotřebu surovin.

Při zakoupení nových výrobků vám prodejny, místní sběrný odpadů nebo recyklační stanice poskytnou informace o správné likvidaci elektroodpadů z domácnosti.

Společnost Black & Decker poskytuje službu sběru a recyklace výrobků Black & Decker po skončení jejich provozní životnosti. Chcete-li získat výhody této služby, odevzdejte prosím váš výrobek kterémukoli autorizovanému zástupci servisu, který nářadí odebere a zajistí jeho recyklaci.

Místo nejbližšího autorizovaného servisu Black & Decker naleznete na příslušné adrese uvedené v tomto návodu. Seznam autorizovaných servisů Black & Decker a podrobnosti o poprodejním servisu naleznete také na internetové adrese: www.2helpU.com

Technické údaje

	KS600E/KS601E	KS602E/KS603E (Typ 1)
Napájecí napětí	V_{AC}	230
Příkon	W	450
Otáčky naprázdno	min^{-1}	0-3 000
Max. hloubka řezu		
Dřevo	mm	60
Ocel	mm	5
Hliník	mm	10
Hmotnost	kg	1,9

Hladina akustického tlaku podle normy EN 60745:
 Akustický tlak (L_{PA}) 89 dB(A), odchylka (K) 3 dB(A)
 Akustický výkon (L_{WA}) 100 dB(A), odchylka (K) 3 dB(A)

Celková úroveň vibrací (prostorový vektorový součet) podle normy EN 60745:

Řezání dřeva ($a_{h,cw}$) 7,7 m/s^2 , odchylka (K) 2,4 m/s^2
 Řezání tabulových plechů ($a_{h,cm}$) 9,1 m/s^2 , odchylka (K) 1,5 m/s^2

ES Prohlášení o shodě

SMĚRNICE PRO STROJNÍ ZAŘÍZENÍ



KS600E/KS601E/KS602E/KS603E

Společnost Black & Decker prohlašuje, že tyto produkty popisované v technických údajích splňují požadavky následujících norem: 2006/42/EC, EN 60745-1, EN 60745-2-11

Chcete-li získat další informace, kontaktujte prosím společnost Black & Decker na následující adrese nebo na adresách, které jsou uvedeny na konci tohoto návodu.

Níže podepsaná osoba je odpovědná za sestavení technických údajů a provádí toto prohlášení v zastoupení společnosti Black & Decker.

Kevin Hewitt
 Viceprezident pro
 spotřebitelskou techniku
 Black & Decker Europe,
 210 Bath Road, Slough,
 Berkshire, SL1 3YD
 United Kingdom
 31/03/2010

Záruka

Společnost Black & Decker důvěřuje kvalitě svého vlastního nářadí a poskytuje kupujícím mimořádnou záruku. Tato záruka je nadstandardní a v žádném případě nepoškozuje Vaše zákonná práva. Tato záruka platí ve všech členských státech EU a Evropské zóny volného obchodu EFTA.

Objeví-li se na výrobku Black & Decker, v průběhu 24 měsíců od zakoupení, jakékoli materiálové či výrobní vady, garantujeme ve snaze o minimalizování vašich starostí bezplatnou výměnu vadných dílů, opravu nebo výměnu celého výrobku za níže uvedených podmínek:

- ◆ Výrobek nebyl používán pro obchodní nebo profesionální účely a nedocházelo-li k jeho pronájmu.
- ◆ Výrobek nebyl vystaven nesprávnému použití a nebyla zanedbána jeho předepsaná údržba.
- ◆ Výrobek nebyl poškozen cizím zaviněním.
- ◆ Nebyly prováděny opravy výrobku jinými osobami než pracovníky značkového servisu Black & Decker.

Při uplatňování reklamace je nutno prodejci nebo servisnímu středisku předložit doklad o nákupu výrobku. Místo vaší nejbližší autorizované servisní pobočky Black & Decker se dozvíte na příslušné adrese uvedené na zadní straně této příručky. Seznam autorizovaných servisů Black & Decker a podrobnosti o poprodejním servisu naleznete také na internetové adrese: www.2helpU.com

Navštivte naši internetovou adresu www.blackanddecker.co.uk a zaregistrujte si Váš výrobek Black & Decker. Budete tak mít neustále přehled o nových výrobcích a speciálních nabídkách. Další informace o značce Black & Decker a o našem výrobním programu získáte na internetové adrese www.blackanddecker.co.uk

Rendeltetésszerű használat

Black & Decker dekopírfűrész fa, műanyagok és fémlemezek fűrészelésére alkalmas. A szerszám kizárólag háztartási felhasználásra készült.

Biztonsági előírások

Elektromos kéziszerszámokra vonatkozó általános biztonsági figyelmeztetések



Figyelmeztetés! Olvassa el az összes biztonsági figyelmeztetést és utasítást.

A következő figyelmeztetések, utasítások figyelmen kívül hagyása elektromos áramütést vagy tüzet és/vagy súlyos balesetet okozhat.

Őrizze meg a figyelmeztetéseket és a használati utasítást, hogy azokat később is használhassa referenciaként. Az „elektromos szerszám” kifejezés a figyelmeztetésekben az Ön által használt hálózati (vezetékes) vagy akkumulátoros (vezeték nélküli) elektromos szerszámát jelenti.

1. A munkaterület biztonsága

- a. **Tartsa tisztán és jól világítsa ki a munkaterületet.** A rendetlen és sötét munkaterület a balesetek melegegáya.
- b. **Ne használja az elektromos szerszámot robbanásveszélyes környezetben, például gyúlékony folyadékok, gázok vagy porok jelenlétében.** Az elektromos szerszámokban szikra keletkezik, ami meggyújthatja a porokat vagy a gőzöket.
- c. **Az elektromos szerszám használata közben ne engedje közel a gyerekeket és a báméskodókat.** Ha elterelik figyelmét, elveszítheti uralmát a szerszám fölött.

2. Elektromos biztonság

- a. **Az elektromos kéziszerszám dugaszt meg kell, hogy feleljen a hálózati csatlakozóaljzat kialakításának. Soha, semmilyen módon se változtassa meg a csatlakozódugaszt. A földelt kéziszerszámokkal soha ne használjon adapter dugaszt.** Az eredeti (módosítatlan) csatlakozó és a megfelelő fali dugaljnak használata csökkenti az áramütés kockázatát.
 - b. **Ügyeljen, hogy teste ne érintkezzék földelt felületekkel, például csővezetékekkel, radiátorral, hűtőszekrényel.** Ha teste földelt felülettel érintkezik, az növeli az elektromos áramütés kockázatát.
 - c. **Ne engedje, hogy az elektromos szerszámok megázzanak, ill. azokat nedvesség érje.** Ha víz kerül az elektromos szerszámba, az növeli az elektromos áramütés kockázatát.
 - d. **Óvatosan kezelje a tápkábelt. Az elektromos kéziszerszámot soha ne vigye és ne húzza a kábelnél fogva, és a dugaszt ne a kábelnél fogva húzza ki az aljzataból. Óvja a kábelt a hőtől, olajtól, éles szegletektől, illetve a mozgó alkatrészekről.** A sérült vagy összegabalyodott kábel növeli az elektromos áramütés kockázatát.
 - e. **Ha a szabadban használja az elektromos szerszámot, kültéri használatra alkalmas hosszabbító kábelt vegyen igénybe.** A kültéri használatra alkalmas hosszabbító kábellel csökkentheti az elektromos áramütés kockázatát.
 - f. **Ha az elektromos szerszám nedves helyen való használata elkerülhetetlen, alkalmazzon Fi-relével védett áramforrást.** A Fi-relé használata csökkenti az elektromos áramütés kockázatát.
3. **Személyes biztonság**
 - a. **Soha ne vesztse el éberségét, figyeljen oda arra, amit csinál, használja a józan eszét, ha elektromos szerszámmal dolgozik. Ne dolgozzon elektromos szerszámmal, ha fáradt, kábítószert vagy alkoholt fogyasztott, illetve gyógyszer hatása alatt áll.** Elektromos szerszám használata közben egy pillanatnyi figyelmetlenség is súlyos sérülést okozhat.
 - b. **Használjon egyéni védőfelszerelést. Mindig viseljen védőszemüveget.** A körülményeknek megfelelő védőfelszerelés - például a porálarc, a biztonsági csúszásmentes cipő, a védősisak vagy a hallásvédelem - használata csökkenti a személyes sérülések kockázatát.
 - c. **Előzze meg a készülék nem szándékos beindítását. Ellenőrizze, hogy a szerszám kapcsolója a ki állásban van-e, mielőtt azt a hálózatra vagy akkumulátorra csatlakoztatja, illetve kézbe veszi a szerszámot.** Ha a szerszámot úgy cipeli, hogy az uja a kapcsolón van, ill. olyan szerszámot helyez áram alá, amely be van kapcsolva, akkor azzal balesetet okozhat.
 - d. **Távolítsa el a beállításhoz használt kulcsot vagy csavarkulcsot, mielőtt bekapcsolja az elektromos szerszámot.** A forgó alkatrészek

rögzített csavarkulcs vagy kulcs személyes sérülést okozhat.

e. Ne nyúljon túlságosan messzire. Mindig szilárd felületen álljon, és ügyeljen, ne veszítse el az egyensúlyát. Így jobban tudja uralni a szerszámot a váratlan helyzetekben is.

f. Öltözzön megfelelően. Ne viseljen laza ruházatot vagy ékszert. Haját, ruháját és kesztyűjét tartsa távol a mozgó alkatrészekről. A laza öltözék, az ékszer vagy a hosszú haj beleakadhat a mozgó alkatrészekbe.

g. Ha az adott eszközhöz porszivó vagy porgyűjtő is tartozik, akkor győződjön meg arról, hogy ezeket megfelelően csatlakoztatva, ill. ezek megfelelően működnek. A por összegyűjtésével és elszívásával elkerülhetők/megelőzhetőek a porral összefüggő veszélyek.

4. Elektromos szerszámok használata és karbantartása

a. Ne erőltesse túl az elektromos szerszámot. A célnak megfelelő elektromos szerszámot alkalmazza. A megfelelő elektromos szerszámmal jobban és biztonságosabban dolgozhat, mert azt kifejezetten az adott feladatra tervezték.

b. Ne használja az elektromos szerszámot, ha a kapcsolóval nem lehet ki- és bekapcsolni. A hibás kapcsolóval rendelkező elektromos szerszámok használata veszélyes, az ilyen készülékeket meg kell javíttatni.

c. Ne használja az elektromos szerszámot, ha a kapcsolóval nem lehet ki- és bekapcsolni. Ezekkel a megelőző biztonsági intézkedésekkel csökkentheti a szerszám véletlen elindításának kockázatát.

d. A nem használt elektromos szerszámot tárolja olyan helyen, ahol a gyerekek nem érhetik el; ne engedje, hogy olyan személyek használják, akik a szerszám használatát és ezen utasításokat nem ismerik. Gyakorlatlan felhasználó kezében az elektromos szerszám veszélyes lehet.

e. Fordítson gondot az elektromos szerszám karbantartására. Ellenőrizze a mozgó alkatrészek illeszkedését és hogy nem szorul-e valamelyik; ellenőrizze az alkatrészeket törésre és más olyan sérülésre, amelyek befolyásolhatják az elektromos eszköz működését. Ha a szerszám sérült, akkor a használat

előtt javíttassa meg. A nem megfelelően karbantartott elektromos szerszámok számos balesetet okoztak.

f. A vágószerszámok mindig tiszták és élesek legyenek. A megfelelően karbantartott és éles vágószerszám kisebb valószínűséggel szorul be, és jobban kontrollálható.

g. Az elektromos szerszámot, tartozékokat és szerszámszárakat a használati utasításnak megfelelően használja, a munkakörülmények és az elvégzendő feladat figyelembe vételével. Az elektromos szerszám rendelkezésétől eltérő használata veszélyhelyzetet teremthet.

5. Szerviz

a. A szerszámot képzett szakemberrel javíttassa, és csak eredeti cserealkatrészeket használjon fel. Ezzel biztosíthatja az elektromos kéziszerszám folyamatos biztonságos működését.

Az elektromos szerszámokra vonatkozó további speciális biztonsági utasítások



Figyelmeztetés! További biztonsági figyelmeztetések szűrőfűrészhez és orrfűrészhez

- ◆ **A készüléket csak a szigetelt markolati felületen tartsa, ha olyan munkát végez, ahol a befogott tartozék rejtett vezetékkel vagy saját hálózati kábelével érintkezhet.** Ha a vágóél áram alatt lévő vezetékkel érintkezik, akkor az elektromos szerszám fém alkatrészei is elektromossá válnak és megrázzhatják a kezelőt.
- ◆ **Használjon szorítót vagy más praktikus módszert a munkadarab szilárd felülethez való rögzítéséhez és alátámasztásához.** Ha a munkadarabot saját testéhez szorítja, a rögzítés nem lesz megfelelő, és elveszítheti uralmát a szerszám fölött.
- ◆ **Tartsa távol kezét a vágási területtől.** Soha, semmilyen okból ne nyúljon a munkadarab alá. Ne helyezze ujját a mozgó fűrészlap és a fűrészlap beszorító közelébe. Ne próbálja úgy stabilizálni a fűrészlapot, hogy megfogja a fűrészlapot.
- ◆ **Tartsa élesen a fűrészlapokat.** A tompa vagy sérült fűrészlap a nyomás alatt elhajlik vagy megszorul. Mindig a munkadarab anyagának és a vágás típusának megfelelő fűrészlapot használja.

- ◆ Ha csövet, vezetőcsövet vág, bizonyosodjon meg róla, hogy az nem tartalmaz vizet, elektromos vezetőteket stb.
- ◆ Közvetlenül a szerszám használatá után ne nyúljon a munkadarabhoz, illetve a fűrészlaphoz. Mindkettő felforrósodhat.
- ◆ Fal, padló vagy mennyezet vágása előtt tájékozódjon az elektromos- és csővezetékek elhelyezkedéséről, legyen óvatos a rejtett vezetékekkel.
- ◆ A fűrészlap a kapcsológomb felengedése után tovább mozog. Mindig kapcsolja ki a szerszámot, és várja meg, míg a fűrészlap mozgása leáll, mielőtt leteszi a szerszámot.

Figyelmeztetés! A vágás során keletkező porok belélegzése és a velük való érintkezés veszélyes lehet a kezelő és a közelben állók egészségére. Hordjon a porok és gőzök belélegzésének megakadályozására tervezett pormaszkot és győződjön meg arról, hogy a munkaterületre belépők is viselnek megfelelő védőeszközt.

- ◆ A készüléket korlátozott fizikai, érzékelési, mentális képességekkel rendelkező vagy gyakorlatlan személyek (beleértve a gyermekeket is) nem használhatják; kivétel, ha a biztonságukért felelős személy felügyeli és irányítja őket. A gyermekeket felügyelni kell; meg kell akadályozni, hogy a készülékkel játszanak.
- ◆ A szerszám rendeltetészerű használatát ebben a kézikönyvben ismertetjük. A kézikönyvben nem ajánlott tartozék vagy felszerelés használata, illetve itt nem szereplő műveletek végzése személyes sérülés és/vagy dologi kár kockázatával jár.

Mások biztonsága

- ◆ A terméket nem használhatják korlátozott fizikai, mentális képességekkel rendelkező, vagy gyakorlatlan és ismeretekkel nem rendelkező személyek (beleértve a gyermekeket is); kivétel, ha a biztonságukért felelős személy felügyeli munkavégzésüket és irányítja őket.
- ◆ A gyerekeket felügyelni kell, nehogy játszanak a készülékkel.

Maradványkockázatok.

A biztonsági figyelmeztetésekben ismertetett kockázatok mellett más kockázatok is jellemezhetik a szerszám használatát. Ezek a kockázatok a szerszám rendeltetésétől eltérő, illetve huzamos használatából stb. adódhatnak.

A vonatkozó biztonsági előírások alkalmazása és a védőeszközök használata ellenére bizonyos kockázatokat (ún. maradványkockázatokat) nem lehet kizárni. Ezek például a következők:

- ◆ **A forgó/mozgó alkatrészek megérintése által okozott sérülés.**
- ◆ **Az alkatrészek, vágólapok, tartozékok cseréje által okozott sérülés.**
- ◆ **A szerszám huzamos használatá által okozott egészségkárosodás. Ha valamely szerszámot huzamosabb ideig használ, akkor tartson rendszeresen szüneteket a munkában.**
- ◆ **Halláskárosodás.**
- ◆ **A szerszám használatá közben keletkezett por belélegzése miatti egészségkárosodás (például famunkáknál, különös tekintettel a tölgy, bükk és MDF anyagokra.)**

Vibráció

A műszaki adatlapon és a megfelelőségi nyilatkozatban feltüntetett vibrációs kibocsátási értékeket az EN 60745 szabványnak megfelelően határoztuk meg; az felhasználható a különböző szerszámok értékeinek összehasonlítására. A deklarált vibrációs kibocsátási érték az előzetes kockázatelemzéshez is felhasználható.

Figyelmeztetés! A tényleges vibrációs kibocsátási érték az elektromos szerszám használata során különbözhet a deklarált értéktől attól függően, hogyan használják a szerszámot. A vibrációs értékek az itt feltüntetett szint fölé is emelkedhetnek.

A 2002/44/EK által a géppel rendszeresen dolgozók számára megkövetelt szükséges biztonsági intézkedések meghatározásához végzett vibrációs kitértesség kiértékelése során a kitértesség kiértékelésénél figyelembe kell venni a tényleges használat körülményeit, illetve azt, hogy a szerszámot hogyan használják, ideértve a munkafolyamat minden egyes részét, pl. azokat az időszakokat is, amikor a szerszám ki van kapcsolva vagy üresen fut a napi kitértességet jelentő idő mellett.

Címkek a szerszámon

A szerszámon a következő piktogramok találhatóak:



Figyelmeztetés! A sérülések kockázatának csökkentése érdekében a felhasználónak kötelees elolvasni a használati utasítást.

Elektromos biztonság



A szerszám kettős szigeteléssel rendelkezik; ezért nincs szükség földelő vezetékre. Mindig ellenőrizze, hogy a szerszám adattábláján megadott feszültség egyezik-e a hálózati feszültséggel.

- ◆ Ha a hálózati kábel sérült, azonnal cseréltesse le egy Black & Decker szakszervizben.

Leírás

A készülék a következő jellemzőkkel rendelkezhet:

1. Be/ki üzemi kapcsoló
2. Tartósüzem rögzítógomb
3. Porelszívó kimenet
4. Fűrésztlap
5. Fűrészlap támasztógörgő

E ábra

6. Fűrészlap tárolórekesz (KS602E & KS603E)

Összeszerelés

Figyelmeztetés! Mielőtt bármely, a következőkben ismertetett műveletet elkezdene, győződjön meg arról, hogy a szerszám ki van kapcsolva, nincs áram alatt, és a fűrészlap már leállt. A használt fűrészlap forró lehet.

A támasztógörgő beállítása (A és B ábra)

- ◆ Oldja meg a csavarokat (8).
- ◆ Tolja a támasztógörgőt (5) előre addig, amíg az a fűrészlap (7) hátsó széléhez hozzá nem ér.
- ◆ Húzza meg a csavarokat (8).

A fűrészlap befogása és eltávolítása (C ábra)

- ◆ Mielőtt befogja vagy eltávolítja a fűrészlapot (7) a fűrészlap támasztógörgőt (5) hátsó pozícióba kell állítani, azaz ne érintkezzen a fűrészlappal.
- ◆ Oldja meg (ne távolítsa el) a csavarokat (10).
- ◆ Tartsa a fűrészlapot (7) az ábra szerint, fogakkal előre.
- ◆ Helyezze be a fűrészlap (7) szárát a fűrészlap tartóba (9) és tolja be ütközésig.
- ◆ Kissé szorítson a két csavaron (10) váltakozva, a fűrészlap megfelelő pozícióba állításához, majd húzza meg szorosra a csavarokat (10).
- ◆ Állítsa be a támasztógörgőt (5), a fentiekben leírtak szerint.
- ◆ A fűrészlap (7) eltávolításához, forgassa mindkét csavart (10) egy fordulattal az óramutató járásával ellentétes irányba.

Porelszívó csatlakoztatása a készülékhez (D ábra)

Egy adapter (11) szükséges a porelszívó vagy porszívó berendezés készülékre való csatlakoztatásához. Az adapter (11) külön megvásárolható a Black & Decker szakkereskedésekben.

- ◆ Nyomja az adaptert (11) a porelszívó kimenetbe (3).
- ◆ Csatlakoztassa a porelszívó berendezés csövét (12) az adapterre (11).

Fűrészlap tárolás (csak KS602E és KS603E típusoknál) (E ábra)

A fűrészlapokat (7) a készülék oldalán található tárolóban (6) helyezheti el.

- ◆ Nyissa ki a tároló (6) fedelét úgy, hogy megfogja a fedél tetején található fület és kifelé húzza.
- ◆ Távolítsa el vagy helyezze be a fűrészlapot (7) a tárolóba (6).
- ◆ Zárja be a tároló (6) fedelét, és ellenőrizze, hogy a retesz rázáródott.

Vágásvonal elfűvő (F ábra)

- ◆ A vágásvonal követésének segítésére a készülék fel van szerelve egy vágásvonal elfűvő (13) egységgel, mely a munkaterületet vágás közben pormentesen tartja.

A készülék használata

A fűrésztlap beállítása szögvághoz (G ábra)

A fűrésztlap beállítható egyenes vágásra vagy jobb és bal irányba szögvághoz 45°-ba.

- ◆ Lazítsa meg a csavarokat (8).
- ◆ Húzza a fűrésztlap (4) előre, fordítsa a fűrésztlapot jobbra vagy balra, és nyomja vissza a 45°-s pozícióba.
- ◆ Nyomja a fűrészlap támasztógörgőt (5) előre addig, amíg a fűrészlaphoz (7) ér.
- ◆ Húzza meg a csavarokat (8).
- ◆ A fűrésztlap visszaállítás merőleges helyzetbe:
 - ◆ Oldja meg a csavarokat (8).
 - ◆ Húzza a fűrésztlap (4) előre, fordítsa a fűrésztlapot középre és nyomja vissza a 0°-s pozícióba.
 - ◆ Nyomja a fűrészlap támasztógörgőt (5) előre addig, amíg a fűrészlaphoz (7) ér.
 - ◆ Húzza meg a csavarokat (8).

A fordulatszám szabályozása

A készülék egy fordulatszám szabályozós be/ki üzemi kapcsolóval (1) van ellátva. A kapcsoló behúzásának mértékével arányosan nő a fordulatszám.

- ◆ Magas fordulatszámot fa, közepeset alumínium és PVC, alacsony fordulatszámot fémek vágásakor használjon.

A készülék be- és kikapcsolása

- ◆ A készülék beindításához nyomja be a be/ki üzemi kapcsolót (1).
- ◆ A készülék kikapcsolásához engedje el a be/ki üzemi kapcsolót (1).
- ◆ A tartósüzem használatához, nyomja be a tartósüzem rögzítő gombot (2) és engedje el az üzemi kapcsolót (1).
- ◆ A gép leállításához tartósüzemben, nyomja meg még egyszer az üzemi kapcsolót (1) és engedje el.

Javaslatok az optimális munkavégzéshez

- ◆ Mindig két kézzel tartsa a készüléket, miközben fűrészeli.
- ◆ Tartsa a fűrésztalpat a munkadarabon a teljes munkavégzés folyamán. Ez segít a megugrás megelőzésében, csökkenti a vibrációt és minimalizálja a fűrészlap eltörésének lehetőségét.
- ◆ Hagyja a fűrész talpat szabadon futni egy pár másodpercig, mielőtt megkezdí a vágási feladatot.
- ◆ Csak finoman nyomja a készüléket vágás közben. Hagyja a saját tempójában dolgozni, ne erőltesse túl.

Rétegelt lapok fűrészélése

Ahogy a fűrészlap felfelé mozog az anyagban, a felületen a talp közelében hasadás keletkezhet. A legtöbb fűrészlap lefelé lőketben vág, így ha a vágást nem tudja elvégezni a felület munkaoldaláról, használjon olyan fűrészlapot, mely lefelé lőketben vág, vagy:

- ◆ Használjon finom fogazású fűrészlapot.
- ◆ A munkadarabot a fordított oldaláról fűrészelve.
- ◆ A hasadás minimalizálásához erősítsen a munkadarab mindkét oldalára egy darab puhafát vagy préselt falapot és ezen a „szendvicsen” keresztül fűrészljen.

Fémek fűrészélése

- ◆ Legyen tudatában annak, hogy a fémek fűrészélése sokkal több időt vesz igénybe, mint a faanyagok fűrészélése.
- ◆ Kizárólag fémvágó fűrészlapot használjon.

Vastartalmú fémekhez finom fogazású, míg a nem vastartalmú fémekhez durvább fogazású fűrészlap szükséges.

- ◆ Ha vékony fémlemez fűrészelt, erősítsen a munkadarab hátsó oldalára egy darab puhafát vagy préselt falapot és ezen a „szendvicsen” keresztül fűrészelve.
- ◆ Tegyen a kívánt vágásvonalra egy vékony olajcsíkot.

Karbantartás

Az Ön Black & Decker szerszámát minimális karbantartás mellett hosszú távú használatra tervezték. A folyamatos és megfelelő munkavégzés az eszköz gondozásának és rendszeres tisztításának függvénye.

Figyelmeztetés! Mielőtt bármely, következő művelethez fogna, győződjön meg róla, hogy a szerszám ki van kapcsolva, nincs áram alatt, és a fűrészlap már leállt.

- ◆ Puha kefével vagy száraz törlőkendővel rendszeresen tisztítsa meg a szerszám és a töltő szellőzőnyílásait.
- ◆ Nedves ronggyal rendszeresen tisztítsa meg a motorházat. Ne használjon súrolószert vagy oldószer alapú tisztítószerkeket. Ne hagyja, hogy a szerszám belsejébe folyadék kerüljön, és ne is mártsa a szerszám alkatrészeit folyadékba.

Csatlakozódugó cseréje (csak az Egyesült Királyságban és Írországban)

Ha új csatlakozódugóra van szüksége:

- ◆ A régi dugaszt biztonságos módon semmisítse meg.
- ◆ A barna vezetékét kösse az új dugasz fáziscsatlakozójához.
- ◆ A nulla csatlakozóhoz kösse a kék vezetékét.

Figyelmeztetés! A földelő csatlakozóhoz nem kell vezetékét kötnie. Kövesse a minőségi csatlakozóaljzathoz mellékelt szerelési utasítást. Ajánlott biztosíték: 5 A.

A környezet védelme



Elkülönítve gyűjtendő. A terméket a háztartási hulladékoktól külön választva kell leselejtezni.

Ha egy nap úgy véli, hogy az Ön Black & Decker szerszámát le kell cserélnie vagy arra a továbbiakban nincs szüksége, akkor azt a háztartási hulladékoktól elkülönítve selejtezze le. Gondoskodjék elkülönített kezeléséről.



A használt termékek és csomagolásuk elkülönített kezelése lehetővé teszi az anyagok újrafelhasználását. Az újrafeldolgozott anyagok alkalmazása segít megelőzni a környezetszennyezést és csökkenti a nyersanyagszükségletet.

A helyi rendelkezések előírhatják az elektromos termékek háztartási hulladéktól elkülönített gyűjtését a helyi hulladékgyűjtő helyeken, illetve előírhatják, hogy a kereskedőnek kell gondoskodnia a termék visszavételéről új termék vásárlásakor.

A Black & Decker lehetőséget biztosít a Black & Decker termékek gyűjtésére és újrafeldolgozására, ha azok elérték élettartamuk végét. A szolgáltatás igénybevételéhez kérjük, vigye vissza a terméket bármely márkaszervizünkbe, ahol vállalatunk képviselőjében gondoskodnak annak elkülönített összegyűjtéséről.

Az Önhöz legközelebb eső hivatalos márkaszervizt a kézikönyvben megadott helyi Black & Decker képviselő segítségével érheti el. Alternatív megoldásként lásd a szerződött Black & Decker szervizek listáját, illetve az eladás utáni szolgáltatásaink elérhetőségének részletes ismertetését a következő internetes címen:

www.2helpU.com

Műszaki adatok

	KS600E/KS601E	KS602E/KS603E(1. típus)
Bemeneti feszültség	Vv.á. 230	
Felvett teljesítmény	W 450	
Üresjáratú fordulatszám	min ⁻¹ 0-3 000	
Maximális vágási mélység		
Fa	mm 60	
Fém	mm 5	
Alumínium	mm 10	
Súly	kg 1,9	

Hangnyomásszint az EN 60745 szerint:

Hangnyomás (L_{pA}) 89 dB(A), toleranciafaktor (K) 3 dB(A), Hangerő (L_{WA}) 100 dB(A), toleranciafaktor (K) 3 dB(A)

Vibrációs összérték (triax vektorösszeg) az EN 60745 szerint:

Fa vágásánál ($a_{h,cw}$) 7,7 m/s², toleranciafaktor (K) 2,4 m/s², Fémlemez vágásánál ($a_{h,cm}$) 9,1 m/s², toleranciafaktor (K) 1,5 m/s²

CE megfelelési nyilatkozat

GÉPEK IRÁNYELV



KS600E/KS601E/KS602E/KS603E

A Black & Decker nyilatkozik arról, hogy a „Műszaki adatok” részben ismertetett termékek megfelelnek a következő irányelveknek és szabványoknak: 2006/42/EC, EN 60745-1, EN 60745-2-11

További információért forduljon a Black & Decker vállalathoz az alábbi címen, vagy a kézikönyv hátoldalán található elérhetőségeken.

Az aláírás tulajdonosa a műszaki adatok összeállításáért felelős személy; nyilatkozatát a Black & Decker vállalat nevében adja.

Kevin Hewitt
Alelnök, Global Engineering
Black & Decker Europe,
210 Bath Road, Slough,
Berkshire, SL1 3YD
Egyesült Királyság
31/03/2010

Garancia határozat

A Black & Decker elhivatott a termékei minősége iránt, és kiterjesztett garanciát kínál. Ez a garanciahatározat csak kiegészíti és semmi esetre sem befolyásolja hátrányosan az Ön törvényes jogait. A garancia az Európai Unió tagállamai területén, valamint az Európai Szabadkereskedelmi Társulás (EFTA) területén érvényes.

Ha egy Black & Decker termék anyaghiba, a kivitelezés módja vagy a megfelelés hiánya miatt meghibásodik, az eladás dátumától számított 24 hónapig a Black & Decker garanciát vállal a hibás alkatrészek cseréjére, a normál kopásnak kitett termékek javítására, illetve az ilyen termékek kicserélésére, hogy ügyfeleinek a lehető legkisebb kellemetlenséget okozza az alábbi feltételekkel:

- ◆ A terméket nem használták kereskedelmi, ipari alkalmazásokhoz, és nem adták bérbe;
- ◆ A terméket rendeltetésszerűen és körültekintően használták;
- ◆ A termék nem idegen tárgytól, szennyeződéstől vagy külső behatástól sérült meg;
- ◆ A termék javítására nem tett kísérletet olyan személy, aki nem tartozik a hivatalos szerviz vagy a Black & Decker szervizszemélyzet tagjai közé.

A garancia érvényesítéséhez az eladónak vagy a hivatalos szerviznek be kell nyújtani a vásárláskor kapott számlát.

Ha igénybe veszi ezt a szolgáltatást, kérjük, juttassa el készülékét a legközelebbi Black & Decker szervizbe, melyekről a magyarországi képviselőnél érdeklődhet.

A szervizzel kapcsolatosan a következő Internet oldalon is felvilágosítást kaphat:

www.2helpU.com.

A következő meghibásodások esetén a garancia kizárt:

- ◆ Elhasználódott, illetve károsodott kések, és a hálózati kábel. Azok az alkatrészek, amelyek a normál használat során elkopnak.
- ◆ Azok a meghibásodások, amelyek a szakszerűtlen kezelésemből eredtek.
- ◆ Azok a hibák, amelyek a kezelési útmutató be nem tartásából eredtek.

Kizárólag csak eredeti Black & Decker tartozékok és alkatrészek alkalmazhatók. Ellenkező esetben teljesítménycsökkenés léphet fel, és a gép elveszti a garanciát. Ha garanciális igénye van, feltétlen mellékelje a jótállási jegyet és a vásárlási okmányokat (számlát).

BLACK & DECKER GARANCIÁLIS FELTÉTELEK

Gratulálunk Önnek ennek az értékes Black & Decker készülék megvásárlásához.

Azon termékeinkre, amelyet fogyasztói használat keretében háztartási, hobby célra vásárolnak **24 hónap jótállást biztosítunk.**

A termék iparszerű használatra nem alkalmas!

A jótállás a fogyasztó törvényből eredő jogait nem érinti.

- 1) **Black & Decker** kötelezettséget vállal arra, hogy a garanciális javításokat a **49/2003. (VII. 30.) GKM** és a **15/2003 (IX.22.) sz. Korm.** rend. szerint végzi.
 - a) A fogyasztó jótállási igényét a jótállási jeggyel érvényesítheti, ezért azt őrizze meg.
 - b) Vásárláskor az eladónak a garanciaokmányán fel kell tüntetnie a vásárlás időpontját, a termék típusát vagy termékkódját, a kereskedés nevét, címét pedig a jótállási jegyre rá kell bélyegezni. Ennek alapján szerez jogosultságot a vevő a garancia időn belüli ingyenes garanciális javításra.
 - c) Jótállási javítást csak érvényes jótállási jegy alapján végezhetnek a kijelölt szervizek.
 - d) A jótállási jegyen történt bármilyen javítás, törlés vagy átírás, valótlan adatok bejegyzése, a jótállási jegy érvénytelenségét vonja maga után.
 - e) Elvesztett jótállási jegyet csak a vásárlási számla felmutatásával, térítés ellenében tudunk pótolni!
 - f) A jótállási jegy szabálytalan kiállításra vagy a fogyasztó részére történő átadásának elmaradása nem érinti a jótállási kötelezettségvállalás érvényességét.
- 2) **Nem terjed ki a garancia:**
 - a) Ha a hiba rendeltetésszerű használat, átalakítás, szakszerűtlen kezelés, helytelen tárolás, elemi kár vagy egyéb, vásárlás után keletkezett okból következett be. *(A rendeltetésszerű használat elkerülése céljából a termékhez magyar nyelvű vásárlói tájékoztatót mellékelünk és kérjük, hogy az abban foglaltakat saját érdekében tartsa be!)*
 - b) Az olyan károsodásokra, amelyek a szerszámok iparszerű (professzionális), közületi, valamint kölcsönzési felhasználása miatt keletkeztek.
 - c) Azon alkatrészekre, amelyeknél a meghibásodás garanciaidőn belül a helyes kezelés, karbantartás szerinti rendeltetésszerű üzemeltetés mellett az alkatrészek természetes elhasználódása, kopása következtében állt elő. *(ezek a következők: megmunkáló szerszámok pl. vágószerszám, fűrészlánc, fűrészlap, gyalukés stb. továbbá: meghajtószíj, csapágy, szénkefe, csillagkerék kpl.)*
 - d) A készülék túlterhelése miatt jelentkező hibákra, amelyek a hajtómű meghibásodásához, vagy egyéb ebből adódó károkhhoz vezetnek.
 - e) A termék nem hivatalos szervizben történt javításából eredő hibákra.
 - f) Az olyan károsodásokra, amelyek nem eredeti Black & Decker kiegészítő készülékek és tartozékok használatából adódnak.

- 3) **A fogyasztó** a kijavítás iránti igényét a forgalmazónál, illetve a jótállási jegyen feltüntetett javítószolgálatnál érvényesítheti.
 - Meghosszabbodik a jótállási idő a kijavítási idő azon részével, amely alatt a fogyasztó a terméket nem tudta rendeltetésszerűen használni.
 - A jótállási és szavatossági jogok érvényesíthetőségének határidején belül a termékek vagy jelentősebb részének kicserélése (kijavítása) esetén a kicserélt (kijavított) termékre (termékrészre) 12 hónap jótállást biztosítunk. Ezek a következők: motor illetve állórész, forgórész, elektronika.
 - Ha a fogyasztási cikk a vásárlástól (üzembe helyezéstől) számított három munkanapon belül meghibásodik, a fogyasztó kérheti annak kicserélését feltéve, hogy a meghibásodás a rendeltetésszerű használatot akadályozza. A Black & Decker Hungary Kft. a meghibásodás okának feltárása céljából fenntartja a jogot a hibás termék bevizsgálására. Amennyiben a reklamáció alkalmával a meghibásodás garanciális voltáról nem nyilatkozunk, úgy 72 órán belül kell értesítenünk a vásárlót a reklamáció intézésének módjáról.
Ha a csere nem lenne lehetséges, műszakilag hasonló készülék kerül felajánlásra, vagy visszafizethető a vételár.

Amennyiben a hiba keletkezése, ténye, jellege, (pl. rendeltetésszerű használat, stb.) miatt vita merül fel, a Fogyasztó szakvéleményt kérhet a Fogyasztóvédelmi Főfelügyelőségtől. A szakvélemény térítésmentes és nem kötelező érvényű a Forgalmazó számára.

- 4) **Garanciális javítás esetén** a szerviznek a garanciaokmányán az alábbi adatokat kell feltüntetnie:
 - a garanciális igény bejelentésének dátumát,
 - a hiba rövid leírását,
 - a javítás módját és időtartamát,
 - a készülék visszaadásának időpontját,
 - javítás időtartamával meghosszabbított új garanciaidőt.
- 5) **Arra törekszünk, hogy szervizhálózatunkon** keresztül kiváló javítószolgáltatást, zökkenőmentes alkatrészellátást, és széles tartozékpalettát biztosítsunk.
- 6) **A fogyasztó a Polgári Törvénykönyvről szóló 1959. évi IV. törvény 306-310. §-ában, valamint a 49/2003. (VII. 30.) GKM** rendeletben meghatározott jogok illetik meg.

Gyártó:

Black & Decker GmbH
D – 65510 Idstein/Ts
Black & Decker str. 40.

Importőr:

Black & Decker Hungary Kft.
1016 Budapest
Galeotti u. 5.

Przeznaczenie

Wyrzynarka Black & Decker została zaprojektowana do pilowania drewna, tworzywn sztucznych i blachy metalowej. Opisywane urządzenie przeznaczone jest wyłącznie do użytku amatorskiego.

Zasady bezpiecznej pracy

Ogólne wskazówki dotyczące bezpiecznej pracy elektronarzędziami



Uwaga! Należy zapoznać się ze wszystkimi ostrzeżeniami dotyczącymi bezpiecznej pracy oraz z instrukcją obsługi. Nie stosowanie się do ostrzeżeń i zaleceń zawartych w tej instrukcji obsługi, może być przyczyną porażenia prądem elektrycznym, pożaru i/lub poważnego zranienia.

Zachowaj wszystkie instrukcje i informacje dotyczące bezpiecznej pracy, aby móc korzystać z nich w przyszłości. Pojęcie "elektonarzędzie" używane w niniejszej instrukcji, oznacza narzędzie zasilane z sieci elektrycznej (przewodem zasilającym) lub akumulatorami (bezprowodowe).

1. Bezpieczeństwo w miejscu pracy

- a. **Miejsce pracy musi być czyste i dobrze oświetlone.** Miejsca ciemne i takie, w których panuje nieporządek stwarzają ryzyko wypadku.
- b. **Nie wolno używać elektronarzędzi w strefach zagrożenia wybuchem, w pobliżu palnych cieczy gazów czy pyłów.** Elektronarzędzia mogą wytworzyć iskry powodujące zapłon pyłów lub oparów.
- c. **W czasie pracy elektronarzędziami nie pozwalaj na przebywanie w pobliżu dzieci i innych osób postronnych.** Chwila nieuwagi może spowodować utratę kontroli nad narzędziem.

2. Bezpieczna praca z elektrycznością

- a. **Gniazdo musi być dostosowane do wtyczki elektronarzędzia. Nie wolno przerabiać wtyczek. Nie używaj żadnych łączników elektrycznych z uziemionymi elektronarzędziami.** Nie przerabiane wtyczki i odpowiednio gniazda zmniejszają ryzyko porażenia prądem elektrycznym.
- b. **Należy unikać bezpośredniej styczności z uziemionymi lub zerowanymi powierzchniami, takimi jak rurociągi,**

grzejniki, kuchenki i lodówki. Ryzyko porażenia prądem elektrycznym wzrasta, jeśli twoje ciało jest zerowane lub uziomione.

- c. **Nie narażaj elektronarzędzi na działanie deszczu lub zwiększonej wilgotności.** Dostanie się wody do wnętrza elektronarzędzia zwiększa ryzyko porażenia prądem elektrycznym.
 - d. **Nie wolno ciągnąć za przewód zasilający. Nie wolno ciągnąć, podnosić ani wyciągać wtyczki z gniazda, poprzez ciągnięcie za przewód zasilający narzędzia. Chroń przewód zasilający przed kontaktem z gorącymi elementami, olejami, ostrymi krawędziami i ruchomymi częściami.** Uszkodzenie lub zaplątanie przewodu zasilającego zwiększa ryzyko porażenia prądem elektrycznym.
 - e. **W czasie pracy elektronarzędziem poza pomieszczeniami zamkniętymi, należy używać przystosowanych do tego przedłużaczy.** Korzystanie z przedłużaczy przystosowanych do użycia na dworze, zmniejsza ryzyko porażenia prądem.
 - f. **Jeśli zachodzi konieczność używania narzędzia w wilgotnym otoczeniu, należy używać źródła zasilania zabezpieczonego wyłącznikiem różnicowoprądowym.** Stosowanie wyłączników różnicowoprądowych zmniejsza ryzyko porażenia prądem elektrycznym.
- #### 3. Bezpieczeństwo osobiste
- a. **W czasie pracy elektronarzędziem zachowaj czujność, patrz uważnie i kieruj się zdrowym rozsądkiem. Nie używaj elektronarzędzi, jeżeli jesteś zmęczony, pod wpływem narkotyków, alkoholu czy leków.** Nawet chwila nieuwagi, w czasie pracy elektronarzędziem, może doprowadzić do poważnego uszkodzenia ciała.
 - b. **Używaj środków ochrony osobistej. Zawsze zakładaj okulary ochronne.** Używanie, w miarę potrzeb, środków ochrony osobistej, takich jak maska przeciwpyłowa, buty ochronne z antypoślizgową podeszwą, kask czy ochrona słuchu, zmniejsza ryzyko odniesienia uszczerbku na zdrowiu.
 - c. **Zapobiegaj przypadkowemu włączeniu. Przed przyłączeniem do zasilania i/lub włożeniem akumulatorów oraz przed podniesieniem i przenoszeniem narzędzia, należy upewnić się, że wyłącznik znajduje**

się w pozycji „wyłączone“. Trzymanie palca na wyłączniku podczas przenoszenia lub włączania narzędzia, łatwo staje się przyczyną wypadków.

- d. **Przed włączeniem elektronarzędzia, usuń wszystkie klucze i narzędzia do regulacji.** Pozostawienie klucza lub narzędzia do regulacji połączonego z częściami wirującymi elektronarzędzia może spowodować uszkodzenie ciała.
- e. **Nie wychylaj się. Nie wychylaj się i przyjmij stabilną pozycję, aby zawsze zachowywać równowagę.** Pozwala to na lepszą kontrolę pracy urządzenia w nieprzewidzianych okolicznościach.
- f. **Załóż odpowiedni strój. Nie noś luźnych ubrań ani biżuterii. Trzymaj włosy, ubranie i rękawice z dala od ruchomych elementów.** Luźne ubranie, biżuteria lub długie włosy mogą zostać pochwycone przez ruchome części.
- g. **Jeśli sprzęt jest przystosowany do przyłączenia urządzeń odprowadzających i zbierających pył, upewnij się, czy są one przyłączone i właściwie użytkowane.** Używanie takich urządzeń zmniejsza zagrożenia związane z obecnością pyłów.

4. Obsługa i konserwacja elektronarzędzi

- a. **Nie wolno przeciążać elektronarzędzi. Używaj elektronarzędzi odpowiednich do rodzaju wykonywanej pracy.** Dzięki odpowiednim elektronarzędziom wykonasz pracę lepiej i w sposób bezpieczny, w tempie, do jakiego narzędzie zostało zaprojektowane.
- b. **Nie wolno używać elektronarzędzia z zepsutym wyłącznikiem, który nie pozwala na sprawne włączenie i wyłączenie.** Elektronarzędzie, którego pracy nie można kontrolować wyłącznikiem, jest niebezpieczne i musi zostać naprawione.
- c. **Przed przystąpieniem do regulacji, wymiany akcesoriów oraz przed schowaniem elektronarzędzia, należy odłączyć wtyczkę od źródła zasilania i/lub odłączyć akumulator od urządzenia.** Stosowanie takich środków zapobiegawczych zwiększa bezpieczeństwo i zmniejsza ryzyko przypadkowego uruchomienia elektronarzędzia.
- d. **Nie używane elektronarzędzie przechowuj poza zasięgiem dzieci i nie dopuszczaj osób nie znających elektronarzędzia lub tej instrukcji do posługiwania się elektronarzędziem.** Elektronarzędzia

obsługiwane przez osoby nieprzygotowane stanowią zagrożenie.

- e. **Regularnie dokonuj konserwacji elektronarzędzi. Sprawdź, czy ruchome części są właściwie połączone i zamocowane, czy części nie są uszkodzone oraz skontroluj wszelkie inne elementy mogące mieć wpływ na pracę elektronarzędzia. Wszystkie uszkodzenia należy naprawić przed rozpoczęciem użytkowania.** Wiele wypadków spowodowanych jest przez niedostateczną konserwację elektronarzędzi.
 - f. **Dbaj o czystość narzędzi i ostrość elementów tnących.** Zadbane narzędzia tnące, z ostrymi krawędziami tnącymi, rzadziej się zacinają i są łatwiejsze w prowadzeniu.
 - g. **Elektronarzędzi, akcesoriów i końcówek itp., należy używać zgodnie z instrukcją obsługi, uwzględniając warunki i rodzaj wykonywanej pracy.** Użycie elektronarzędzi niezgodnie z przeznaczeniem może być bardzo niebezpieczne.
- #### 5. Serwis
- a. **Powierzaj naprawy elektronarzędzi wyłącznie osobom wykwalifikowanym, używającym identycznych części zamiennych.** Zapewni to bezpieczeństwo użytkowania naprawionego urządzenia.

Bezpieczne użytkowanie elektronarzędzi - wskazówki dodatkowe



Uwaga! Dodatkowe wskazówki dotyczące bezpiecznego użytkowania wyrzynarek oraz pilarek szablowych.

- ◆ **W przypadku prac, w czasie których może dojść do przecięcia własnego lub ukrytych przewodów, należy trzymać urządzenie wyłącznie za izolowane uchwyty.** Przecięcie przewodu z prądem może spowodować pojawienie się napięcia na metalowych częściach obudowy i porażenie prądem operatora.
- ◆ **Obrabiany element należy zamocować do blatu roboczego za pomocą zacisków lub innych praktycznych uchwytów.** Trzymanie obrabianego elementu w rękach lub oparcie go o ciało nie daje dostatecznej stabilizacji i może spowodować utratę kontroli nad narzędziem.
- ◆ **Trzymaj ręce z daleka od obszaru cięcia.** Pod żadnym pozorem nie sięgaj pod spód

obrabanego elementu. Nie zbliżaj palców do pracującego ostrza lub zacisku ostrza. Nie stabilizuj piły chwytając za stopkę.

◆ **Brzeszczoty muszą być naostrzone.**

Stępione lub uszkodzone brzeszczoty mogą powodować skręcanie lub przeciążenie piły pod naciskiem. Zawsze używaj brzeszczotu o typie odpowiednim dla materiału obrabanego elementu i rodzaju cięcia.

- ◆ Podczas cięcia rur lub kanałów przewodów, najpierw upewnij się, czy nie przepływa w nich woda, nie znajdują się w nich przewody elektryczne itp.
- ◆ Nie dotykaj obrabanego elementu lub ostrza zaraz po przerwaniu pracy urządzenia. Mogą one być bardzo gorące.
- ◆ Uważaj na ukryte zagrożenia i wcinając się w ściany, podłogi lub sufity uważaj na położenie przewodów i rur.
- ◆ Brzeszczot nadal będzie poruszać się po zwolnieniu włącznika. Przed położeniem narzędzia zawsze wyłącz je i poczekaj, aż ostrze całkowicie się zatrzyma.

Uwaga! Kontakt lub wdychanie pyłu wytwarzanego podczas cięcia może być niebezpieczne dla zdrowia operatora i możliwych osób postronnych. Używać respiratora zaprojektowanego specjalnie do ochrony przed pyłem i oparami i upewnij się, że osoby postronne w obszarze pracy także są chronione.

- ◆ Opisywane urządzenie nie jest przeznaczone do użycia przez osoby o obniżonych możliwościach fizycznych, ruchowych lub umysłowych (także dzieci) lub o zbyt małej wiedzy i doświadczeniu, jeśli nie zostały one przeszkolone lub nie pozostają pod opieką osoby odpowiedzialnej za ich bezpieczeństwo. Należy pilnować dzieci, aby nie bawiły się urządzeniem.
- ◆ Przeznaczenie urządzenia opisane jest w niniejszej instrukcji obsługi. Używanie jakichkolwiek akcesoriów lub wykonywanie prac sprzecznych z przeznaczeniem opisywanym w instrukcji obsługi, może powodować niebezpieczeństwo uszkodzenia ciała i/lub uszkodzenia mienia.

Bezpieczeństwo osób postronnych

- ◆ Opisywane urządzenie nie jest przeznaczone do użycia przez osoby o obniżonych możliwościach fizycznych, ruchowych lub umysłowych (także dzieci) lub o zbyt małej wiedzy i doświadczeniu, jeśli nie zostały one

przeszkolone lub nie pozostają pod opieką osoby odpowiedzialnej za ich bezpieczeństwo.

- ◆ Należy pilnować dzieci, aby nie bawiły się urządzeniem.

Pozostałe zagrożenia.

W czasie pracy elektronarzędziem mogą powstać zagrożenia, które nie zostały uwzględnione w załączonej instrukcji dotyczącej bezpiecznego użytkowania. Zagrożenia te mogą wynikać z niewłaściwego użytkowania, zbyt intensywnej eksploatacji lub innych przyczyn.

Nawet w przypadku przestrzegania zasad bezpiecznej pracy i stosowania środków ochronnych, nie jest możliwe uniknięcie pewnych zagrożeń. Należą do nich:

- ◆ **Zranienia wynikające z dotknięcia wirujących / ruchomych elementów.**
- ◆ **Zranienia w czasie wymiany części, ostrzy lub akcesoriów.**
- ◆ **Zranienia związane ze zbyt długotrwałym używaniem narzędzia. Pracując przez dłuższy czas, należy robić regularne przerwy.**
- ◆ **Uszkodzenie słuchu.**
- ◆ **Zagrożenie dla zdrowia spowodowane wdychaniem pyłu wytwarzanego podczas użytkowania urządzenia (np.: podczas pracy w drewnie, szczególnie dębowym, bukowym oraz MDF).**

Drgania

Podawana w tabeli danych technicznych oraz w deklaracji zgodności z normami wartość drgań (wibracji), została zmierzona zgodnie ze standardową procedurą zawartą w normie EN 60745. Informacja ta może służyć do porównywania tego narzędzia z innymi. Deklarowana wartość emitowanych drgań może również służyć do przewidywania stopnia narażenia użytkownika na wibracje.

Uwaga! Chwilowa siła drgań, występująca w czasie pracy elektronarzędziem, może odbiegać od podawanych wartości, w zależności od sposobu użytkowania urządzenia. Poziom wibracji może przekroczyć podawaną wartość.

Przy określaniu ekspozycji na wibracje, w celu podjęcia środków ochrony osób zawodowo użytkujących elektronarzędzia zgodnie, z normą 2002/44/EC, należy uwzględnić rzeczywiste warunki i rodzaj wykonywanej pracy. Także okresy przestoju i pracy bez obciążenia.

Symbole na urządzeniu

Na obudowie narzędzia umieszczono następujące piktogramy:



Uwaga! Aby zminimalizować ryzyko zranienia, użytkownik musi zapoznać się z instrukcją obsługi.

Ochrona przed porażeniem prądem elektrycznym



To narzędzie ma podwójną izolację, dlatego też przewód uziemiający nie jest potrzebny. Zawsze sprawdzaj, czy napięcie zasilania jest zgodne z wartością podaną na tabliczce znamionowej.

- ◆ Ze względów bezpieczeństwa wymianę uszkodzonego przewodu zasilającego należy powierzyć producentowi lub autoryzowanemu centrum serwisowemu Black & Decker.

Wyposażenie

Opisywane narzędzie wyposażone jest w kilka lub wszystkie z poniższych elementów.

1. Wyłącznik
2. Przycisk blokady wyłącznika
3. Wylot wyciągu pyłu
4. Płyta stopki
5. Walek podpory brzeszczotu

Rys. E

6. Schowek brzeszczotu (KS602E & KS603E)

Montaż

Uwaga! Przed przystąpieniem do poniższych operacji upewnij się, że narzędzie jest wyłączone i odłączone od sieci i że brzeszczot się zatrzymał. Używane ostrza mogą być gorące.

Regulacja wałka podpory brzeszczotu (rys. A i B)

- ◆ Odkręć śruby (8).
- ◆ Dociśnij wałek podpory brzeszczotu (5) do przodu aż do zetknięcia się z krawędzią brzeszczotu (7).
- ◆ Dokręć dwie śruby (8).

Zakładanie i zdejmowanie brzeszczotu (rys. C)

- ◆ Przed założeniem lub zdjęciem brzeszczotu (7), wałek podpory brzeszczotu (5) musi być przesunięty do tyłu, aby nie dotykał brzeszczotu.
- ◆ Odkręć (nie wykręcaj) dwie śruby (10).
- ◆ Przytrzymaj brzeszczot (7) zgodnie z ilustracją, zębami skierowanymi do przodu.

- ◆ Wsuń trzpień brzeszczotu (7) do uchwytu ostrza (9) do oporu.
- ◆ Delikatnie, naprzemiennie dokręć dwie śruby (10) w celu ustalenia ostrza, a następnie mocno dokręć śruby (10).
- ◆ Wyreguluj wałek podpory brzeszczotu (5) zgodnie z powyższym opisem.
- ◆ W celu wyjęcia ostrza (7), przekręć obie śruby (10) o jeden obrót przeciwnie do ruchu wskazówek zegara.

Podłączenie odkurzacza do narzędzia (Rys. D)

Do podłączenia odkurzacza do odciągu pyłu konieczna jest końcówka połączeniowa (11). Kończówka odciągu pyłu jest dostępna u lokalnego sprzedawcy Black & Decker.

- ◆ Wciśnij końcówkę (11) do wylotu odciągu pyłu (3).
- ◆ Podłącz wąż odkurzacza (12) do końcówki (11).

Schowek ostrza (tylko KS602E & KS603E) (rys. E)

Brzeszczoty (7) mogą być przechowywane w przedziale magazynka (6) umieszczonego z boku narzędzia.

- ◆ Otwórz pokrywę przedziału magazynka brzeszczotów (6), trzymając zatrzask u góry pokrywy i ciągnąc go na zewnątrz.
- ◆ Wyjmij lub włóż ostrza (7) do schowka (6).
- ◆ Zamknij pokrywę magazynka brzeszczotów (6) i upewnij się, że został zatrzasknięty.

Dmuchała linii cięcia (rys. F)

- ◆ W celu poprawienia widoczności w trakcie cięcia, urządzenie zostało wyposażone w dmuchawę linii cięcia (13), utrzymującą czystość obszaru cięcia w trakcie pracy.

Eksploatacja

Regulacja płytki stopki dla cięć ukośnych (rys. G)

Płyta stopki może być ustawiona na cięcia proste lub skośne w lewo lub w prawo, pod kątem 45°.

- ◆ Odkręć śruby (8).
- ◆ Pociągnij płytkę stopki (4) do przodu, obróć płytkę stopki (4) w lewo lub w prawo i popchnij ją z powrotem pod kątem 45°.
- ◆ Dociśnij wałek podpory brzeszczotu (5) do przodu aż do zetknięcia się z brzeszczotem (7).
- ◆ Dokręć śruby (8).

Aby ponownie ustawić płytkę stopki do cięć prostych:

- ◆ Odkręć śruby (8).
- ◆ Pociągnij płytkę stopki (4) do przodu, obróć do pozycji środkowej i wepchnij z powrotem do pozycji 0°.
- ◆ Dociśnij wałek podpory brzeszczotu (5) do przodu aż do zetknięcia się z brzeszczotem (7).
- ◆ Dokręć śruby (8).

Sterowanie obrotami

Narzędzie wyposażone jest we włącznik ze zmianą obrotów (1). Prędkość obrotowa zależy od głębokości wciśnięcia przycisku.

- ◆ Używaj dużej prędkości dla drewna, średniej dla aluminium i PCV oraz małej do cięcia metali innych od aluminium.

Włączanie i wyłączanie

- ◆ Aby włączyć urządzenie, należy nacisnąć włącznik (1).
- ◆ Aby wyłączyć urządzenie, należy zwolnić włącznik (1).
- ◆ Praca ciągła możliwa jest po wciśnięciu przycisku blokady wyłącznika (1) i zwolnieniu wyłącznika (2).
- ◆ Aby wyłączyć narzędzie pracujące w trybie ciągłym, należy powtórnie nacisnąć włącznik (1) i zwolnić go.

Wskazówki praktyczne

- ◆ Podczas cięcia mocno trzymaj narzędzie oburącz.
- ◆ Płytkę stopki powinna być mocno przyciśnięta do ciętego materiału. Pomoże to zapobiec zeskoczeniu piły, zmniejszy drgania i zminimalizuje uszkodzenia brzeszczotów.
- ◆ Przed rozpoczęciem cięcia pozwól piłę popracować chwilę bez obciążenia.
- ◆ Zastosuj tylko delikatny nacisk na narzędzie podczas cięcia.

Piłowanie laminatów

Podczas cięcia laminatów może nastąpić odłupywanie i uszkodzenie powierzchni zewnętrznej. Najbardziej powszechne brzeszczoty tną podczas ruchu do góry, dlatego też, jeśli płytkę stopki jest oparta o powierzchnię zewnętrzną, użyj brzeszczotu, który tnie do dołu lub:

- ◆ Użyj brzeszczotu z małymi zębami.
- ◆ Piłuj na tylnej powierzchni elementu.

- ◆ Aby zminimalizować odłupywanie, zaciśnij niepotrzebne klocki z drewna lub płyty po obu stronach obrabianego elementu i przetrnij wszystkie warstwy.

Cięcie metalu

- ◆ Pamiętaj, że cięcie metalu trwa znacznie dłużej, niż cięcie drewna.
- ◆ Użyj brzeszczotu odpowiedniego do cięcia metalu.
- ◆ Podczas cięcia cienkiej blachy dociśnij niepotrzebny kawałek drewna do tylnej powierzchni i przeciąć obie warstwy.
- ◆ Nanieś warstwę oleju wzdłuż zamierzonej linii cięcia.

Konserwacja

Narzędzia Black & Decker zostały zaprojektowane tak, aby zapewnić długoletnią, prawie bezobsługową, pracę urządzenia. Aby długo cieszyć się właściwą pracą urządzenia, należy odpowiednio z nim postępować i regularnie je czyścić.

Uwaga! Przed przystąpieniem do czynności konserwacyjnych lub czyszczenia upewnij się, że narzędzie jest wyłączone i odłączone od sieci i że brzeszczot się zatrzymał.

- ◆ Otwory wentylacyjne w narzędziu i ładowarce należy okresowo czyścić przy użyciu miękkiej szczoteczki lub suchej szmatki.
- ◆ Regularnie czyść obudowę silnika wilgotną ściereczką. Nie używaj ściernych lub rozpuszczających środków czyszczących. Nie pozwól, aby do środka narzędzia dostała się ciecz i nigdy nie zanurzaj żadnej części narzędzia w cieczy.

Wymiana wtyczki sieciowej (dotyczy tylko Wielkiej Brytanii i Irlandii)

Jeśli występuje konieczność montażu nowej wtyczki:

- ◆ Odpowiednio zutylizuj starą wtyczkę.
- ◆ Przyłącz brązowy przewód do zacisku fazy w nowej wtyczce.
- ◆ Przyłącz niebieski przewód do zacisku zerowego.

Uwaga! Nie wykonuje się przyłączenia do końcówki uziemienia. Wykonaj instrukcje instalacji dołączone do wtyczek wysokiej jakości. Zalecany bezpiecznik: 5 A.

Ochrona środowiska



Selektywna zbiórka odpadów. Opisywanego produktu nie wolno utylizować razem ze zwykłymi śmieciami z gospodarstw domowych.

Gdy okaże się, że konieczna jest wymiana posiadanego narzędzia Black & Decker lub nie będzie się go więcej używać, nie należy wyrzucać go razem ze śmieciami z gospodarstwa domowego. Należy przekazać produkt do punktu selektywnej zbiórki odpadów.



Selektywna zbiórka zużytych produktów i opakowań pozwala na powtórne wykorzystanie użytych materiałów. Powtórne użycie materiałów pomaga chronić środowisko naturalne przed zanieczyszczeniem i zmniejsza zapotrzebowanie na surowce.

Lokalne prawodawstwo może zapewniać możliwość selektywnej zbiórki zużytych sprzętów elektrycznych, poprzez pozostawienie ich w punktach na miejskich wysypiskach śmieci lub u sprzedawcy, przy zakupie nowego sprzętu.

Black & Decker zapewnia możliwość zbiórki i recyklingu swoich produktów po zakończeniu okresu eksploatacji. Aby skorzystać z tej możliwości, prosimy zwrócić się do jednego z Autoryzowanych Przedstawicieli Serwisowych, który odbierze je od Państwa w naszym imieniu.

Adres najbliższego autoryzowanego przedstawiciela serwisowego otrzymają Państwo kontaktując się z miejscowym biurem Black & Decker, którego adres podany jest w niniejszej instrukcji obsługi. Lista autoryzowanych przedstawicieli serwisowych oraz informacje na temat naszego serwisu posprzedażnego dostępne są również na stronie internetowej: www.2helpU.com

Dane techniczne

	KS600E/KS601E KS602E/KS603E(Typ 1)	
Napięcie zasilania	V_{AC}	230
Moc elektryczna	W	450
Prędkość bez obciążenia	min^{-1}	0-3 000
Maksymalna głębokość cięcia		
Drewno	mm	60
Stal	mm	5
Aluminium	mm	10
Waga	kg	1,9

Poziom ciśnienia akustycznego zgodnie z EN 60745:

Ciśnienie akustyczne (L_{pA}) 89 dB(A), niepewność (K) 3 dB(A), Moc akustyczna (L_{WA}) 100 dB(A), niepewność (K) 3 dB(A)

Sumaryczna wielkość drgań (suma wektorów trzech osi) zgodnie z normą EN 60745:

Cięcie drewna ($a_{h,cw}$) 7,7 m/s^2 , niepewność (K) 2,4 m/s^2 , Cięcie blach metalowych ($a_{h,cm}$) 9,1 m/s^2 , niepewność (K) 1,5 m/s^2

Deklaracja zgodności UE

DYREKTYWA MASZYNOWA



KS600E/KS601E/KS602E/KS603E

Firma Black & Decker oświadcza, że „dane techniczne” opisywanych produktów spełniają wymagania norm: 2006/42/EC, EN 60745-1, EN 60745-2-11

Aby otrzymać więcej informacji, należy skontaktować się z firmą Black & Decker pod adresem podanym poniżej lub na końcu instrukcji.

Osoba niżej podpisana odpowiedzialna jest za zestawienie informacji technicznych i złożenie deklaracji zgodności w imieniu firmy Black & Decker.

Kevin Hewitt
Vice-President
Global Engineering
Black & Decker Europe,
210 Bath Road, Slough,
Berkshire, SL1 3YD
Wielka Brytania
31/03/2010

Black & Decker

Warunki gwarancji:

Gwarantujemy sprawne działanie produktu, zgodnie z warunkami techniczno-eksploatacyjnymi opisanymi w instrukcji obsługi. Niniejszą gwarancją nie jest objęte wyposażenie i inne akcesoria, jeżeli nie została do nich dołączona oddzielna karta gwarancyjna oraz elementy podlegające naturalnemu zużyciu.

1. Niniejszą gwarancją objęte są usterki produktu spowodowane wadami produkcyjnymi i wadami materiałowymi.
2. Niniejsza gwarancja jest ważna po przedstawieniu przez Klienta w Centralnym Serwisie Gwarancyjnym reklamowanego produktu oraz łącznie:
 - a) poprawnie wypełnionej karty gwarancyjnej;
 - b) ważnego paragonu zakupu z datą sprzedaży taką, jak w karcie gwarancyjnej lub kopii faktury.
3. Gwarancja obejmuje bezpłatną naprawę urządzenia (wraz z bezpłatną wymianą uszkodzonych części) w okresie 24 miesięcy od daty zakupu.
4. Produkt reklamowany musi być:
 - a) dostarczony bezpośrednio do Centralnego Serwisu Gwarancyjnego wraz z poprawnie wypełnioną Kartą Gwarancyjną i ważnym paragonem zakupu (lub kopią faktury) oraz szczegółowym opisem uszkodzenia, lub
 - b) przesłany do Centralnego Serwisu Gwarancyjnego za pośrednictwem punktu sprzedaży wraz z dokumentami wymienionymi powyżej.
5. Koszty wysyłki do Centralnego Serwisu Gwarancyjnego ponosi Black & Decker. Wszelkie koszty związane z zapewnieniem bezpiecznego opakowania, ubezpieczeniem i innym ryzykiem ponosi Klient. W przypadku odrzucenia roszczenia gwarancyjnego, produkt jest odsyłany do miejsca nadania na koszt adresata.
6. Usterki ujawnione w okresie gwarancji będą usunięte przez Centralny Serwis Gwarancyjny w terminie:
 - a) 14 dni roboczych od daty przyjęcia produktu przez Centralny Serwis Gwarancyjny;
 - b) termin usunięcia wady (punkt 6 a) może być wydłużony o czas niezbędny do importu niezbędnych części zamiennych;
7. Klient otrzyma nowy sprzęt, jeżeli:
 - a) Centralny Serwis Gwarancyjny stwierdzi na piśmie, że usunięcie wady jest niemożliwe;
 - b) produkt nie podlega naprawie, tylko wymianie bez dokonywania naprawy.
8. O ile taki sam produkt jest nieosiągalny, może być wydany nowy produkt o niegorszych parametrach.
9. Decyzja Centralnego Serwisu Gwarancyjnego odnośnie zasadności zgłaszanych usterek jest decyzją ostateczną.
10. Gwarancją nie są objęte:
 - a) wadliwe działanie lub uszkodzenia spowodowane niewłaściwym użytkowaniem lub używaniem produktu niezgodnie z przeznaczeniem, instrukcją obsługi lub przepisami bezpieczeństwa. W szczególności profesjonalne użytkowanie amatorskich narzędzi Black & Decker powoduje utratę gwarancji;
 - b) wadliwe działanie lub uszkodzenia spowodowane przeciążaniem narzędzia, które prowadzi do uszkodzeń silnika, przekładni lub innych elementów a także stosowaniem sprzętu innego niż zalecany przez Black & Decker;
 - c) mechaniczne uszkodzenia produktu i wywołane nimi wady;
 - d) wadliwe działanie lub uszkodzenia na skutek działania pożaru, powodzi, czy też innych klęsk żywiołowych, nieprzewidzianych wypadków, korozji, normalnego zużycia w eksploatacji czy też innych czynników zewnętrznych;
 - e) produkty, w których naruszone zostały plombi gwarancyjne lub, które były naprawiane poza Centralnym Serwisem Gwarancyjnym lub były przerabiane w jakikolwiek sposób;
 - f) osprzęt eksploatacyjny dołączony do urządzenia i inne elementy ulegające naturalnemu zużyciu.
11. Centralny Serwis Gwarancyjny, firmy handlowe, które sprzedały produkt, nie udzielają poważeń ani gwarancji innych niż określone w karcie gwarancyjnej. W szczególności nie obejmują prawa klienta do domagania się zwrotu utraconych zysków w związku z uszkodzeniem produktu.
12. Gwarancja nie wyłącza, nie ogranicza ani nie zawiesza uprawnień kupującego wynikających z niezgodności towaru z umową.

Centralny Serwis Gwarancyjny ERPATECH

ul. Obozowa 61, 01-418 Warszawa

tel.: (22) 862-08-08, fax: (22) 862-08-09

Použitie výrobku

Vaša priamočiara píla Black & Decker je určená na rezanie dreva, plastov a tabuľových plechov. Toto náradie je určené iba na spotrebiteľské použitie.

Bezpečnostné pokyny

Všeobecné bezpečnostné pokyny na prácu s elektrickým náradím



Varovanie! Prečítajte si všetky bezpečnostné pokyny a bezpečnostné výstrahy. Nedodržanie nižšie uvedených pokynov môže mať za následok úraz elektrickým prúdom, vznik požiaru alebo vážne poranenie.

Všetky bezpečnostné varovania a pokyny uschovajte na prípadné ďalšie použitie. Termín „elektrické náradie“ vo všetkých upozorneniach odkazuje na Vaše náradie napájané zo siete (je vybavené prívodným káblom) alebo náradie napájané akumulátorom (bez prívodného kábla).

1. **Bezpečnosť na pracovisku**
 - a. **Pracovný priestor udržiavajte čistý a dobre osvetlený.** Preplnený a neosvetlený pracovný priestor môže viesť k spôsobeniu úrazov.
 - b. **Nepracujte s elektrickým náradím vo výbušnom prostredí, ako sú napríklad priestory s výskytom horľavých kvapalín, plynov alebo prašných látok.** V elektrickom náradí dochádza k iskreniu, ktoré môže spôsobiť vznietenie horľavého prachu alebo výparov.
 - c. **Pri práci s elektrickým náradím zaistíte bezpečnú vzdialenosť detí a ostatných osôb.** Rozptyľovanie môže spôsobiť stratu kontroly nad náradím.
 2. **Elektrická bezpečnosť**
 - a. **Zástrčka prívodného kábla náradia musí zodpovedať zásuvke. Zástrčku nikdy žiadnym spôsobom neupravujte. Nepoužívajte pri uzemnenom elektrickom náradí žiadne upravené zástrčky.** Neupravované zástrčky a zodpovedajúce zásuvky znižujú riziko vzniku úrazu elektrickým prúdom.
 - b. **Nedotýkajte sa uzemnených povrchov, ako sú napríklad potrubia, radiátory, elektrické sporáky a chladničky.** Pri uzemnení Vášho tela vzrastá riziko úrazu elektrickým prúdom.
 - c. **Nevystavujte elektrické náradie dažďu alebo vlhkému prostrediu.** Ak vnikne do elektrického náradia voda, zvýši sa riziko úrazu elektrickým prúdom.
 - d. **S prívodným káblom zaobchádzajte opatrne. Nikdy nepoužívajte prívodný kábel na prenášanie alebo posúvanie náradia a neťahajte zaň, ak chcete náradie odpojiť od elektrickej siete. Zabráňte kontaktu kábla s masťnými, horúcimi a ostrými predmetmi alebo pohyblivými časťami.** Poškodený alebo zauzlený prívodný kábel zvyšuje riziko vzniku úrazu elektrickým prúdom.
 - e. **Pri práci s náradím vonku používajte predlžovacie káble určené na vonkajšie použitie.** Použitie kábla na vonkajšie použitie znižuje riziko úrazu elektrickým prúdom.
 - f. **Pri práci s elektrickým náradím vo vlhkom prostredí musí byť v napájacom okruhu použitý prúdový chránič (RCD).** Použitie prúdového chrániča (RCD) znižuje riziko úrazu elektrickým prúdom.
3. **Bezpečnosť obsluhy**
 - a. **Pri použití elektrického náradia zostaňte stále pozorní, sledujte, čo robíte a pracujte s rozvahou. Nepoužívajte elektrické náradie, ak ste unavení alebo ak ste pod vplyvom drog, alkoholu alebo liekov.** Chvilka nepozornosti pri práci s elektrickým náradím môže viesť k vážnemu úrazu.
 - b. **Používajte prvky osobnej ochrany. Vždy používajte ochranu zraku.** Ochranné prostriedky ako respirátor, protišmyková pracovná obuv, prilba a chrániče sluchu, používané v príslušných podmienkach, znižujú riziko poranenia osôb.
 - c. **Zabráňte náhodnému zapnutiu. Pred pripojením zdroja napätia alebo pred vložením akumulátora a pred zdvihnutím alebo prenášaním náradia skontrolujte, či je vypnutý hlavný vypínač.** Prenášanie elektrického náradia s prstom na hlavnom vypínači alebo pripojenie prívodného kábla k elektrickej sieti, ak je hlavný vypínač náradia v polohe zapnuté, môže spôsobiť úraz.
 - d. **Pred zapnutím náradia sa vždy uistite, či nie sú v jeho blízkosti kľúče alebo nastavovacie prípravky.** Nastavovacie kľúče ponechané na náradí môžu byť zachytené rotujúcimi časťami náradia a môžu spôsobiť úraz.
 - e. **Neprekážajte sami sebe. Pri práci vždy udržiavajte vhodný a pevný postoj.** Tak je

umožnená lepšia kontrola nad náradím v neočakávaných situáciách.

- f. **Vhodne sa obliekajte. Nenoste voľný odev alebo šperky. Dbajte na to, aby sa Vaše vlasy, odev a rukavice nedostali do kontaktu s pohyblivými časťami.** Voľný odev, šperky alebo dlhé vlasy môžu byť pohyblivými dielmi zachytené.
 - g. **Ak sú zariadenia vybavené adaptérom na pripojenie zariadenia na zachytávanie prachu, zaistíte jeho správne pripojenie a riadnu funkciu.** Použitie týchto zariadení môže znížiť nebezpečenstvo týkajúce sa prachu.
4. **Použitie elektrického náradia a jeho údržba**
 - a. **Nepreťažujte elektrické náradie. Používajte správny typ náradia na vykonávanú prácu.** Pri použití správneho typu náradia bude práca vykonávaná lepšie a bezpečnejšie.
 - b. **Ak nie je možné hlavný vypínač náradia zapnúť a vypnúť, s náradím nepracujte.** Každé elektrické náradie s nefunkčným hlavným vypínačom je nebezpečné a musí sa opraviť.
 - c. **Pred nastavovaním náradia, pred výmenou príslušenstva alebo ak náradie nepoužívate, odpojte zástrčku prívodného kábla od zásuvky alebo z náradia vyberte akumulátor.** Tieto preventívne bezpečnostné opatrenia znižujú riziko náhodného zapnutia náradia.
 - d. **Uložte elektrické náradie mimo dosahu detí a nedovoľte ostatným osobám, ktoré toto náradie nevedia ovládať alebo ktoré nepoznajú tieto bezpečnostné pokyny, aby s týmito elektrickým náradím pracovali.** Elektrické náradie je v rukách nekvalifikovanej obsluhy nebezpečné.
 - e. **Vykonávajte údržbu elektrického náradia. Skontrolujte vychýlenie alebo zablokovanie pohyblivých častí, poškodenie jednotlivých dielov a iné okolnosti, ktoré môžu ovplyvniť chod náradia. Ak je náradie poškodené, nechajte ho pred použitím opraviť.** Mnoho nehôd býva spôsobených zanedbanou údržbou náradia.
 - f. **Rezné nástroje udržiavajte ostré a čisté.** Riadne udržiavané rezné nástroje s ostrými reznými čepeľami sú menej náchylné na zanášanie nečistotami a lepšie sa ovládajú.
 - g. **Používajte elektrické náradie, príslušenstvo a držiaky nástrojov podľa týchto pokynov**

a berte do úvahy prevádzkové podmienky a prácu, ktorá bude vykonávaná. Použitie elektrického náradia na iné účely, než na aké je určené, môže byť nebezpečné.

5. Opravy

- a. **Opravy elektrického náradia zverte iba kvalifikovanému technikovi, ktorý bude používať originálne náhradné diely.** Tým zaistíte bezpečnú prevádzku náradia.

Doplnkové bezpečnostné pokyny na prácu s elektrickým náradím



Varovanie! Doplnkové bezpečnostné pokyny pre priamočiare a mečové píly

- ♦ **Pri pracovných operáciách, pri ktorých by mohlo dôjsť ku kontaktu so skrytými vodičmi alebo s vlastným prívodným káblom, držte elektrické náradie vždy za izolované rukoväti.** Pri kontakte so „živým“ vodičom spôsobia neizolované kovové časti náradia obsluhu úraz elektrickým prúdom.
- ♦ **Na zaistenie a upnutie obrobku k pracovnému stolu používajte svorky alebo iné vhodné prostriedky.** Držanie obrobku rukou alebo opretie obrobku o časť tela nezaistí jeho stabilitu a môže viesť k strate kontroly.
- ♦ **Udržujte ruky v bezpečnej vzdialenosti od rezného priestoru.** Zo žiadneho dôvodu nikdy nesiahajte do priestoru pod obrobok. Nevkladajte prsty alebo palec do blízkosti pílového listu a upínacej svorky pílového listu. Nepokúšajte sa stabilizovať pílu uchopením pätky píly.
- ♦ **Udržujte pílové listy ostré.** Tupé alebo poškodené pílové listy môžu pri práci spôsobiť vychýlenie alebo zablokovanie pílového listu. Vždy používajte typ pílového listu zodpovedajúci materiálu obrobku a typu rezu.
- ♦ **Pri rezaní rúrok a potrubia sa uistite, či sa v nich nenachádzajú elektrické vodiče, voda atď.**
- ♦ **Nedotýkajte sa obrobku alebo pílového listu ihneď po ukončení rezu.** Môžu byť veľmi horúce.
- ♦ **Dávajte pozor na skryté nebezpečenstvá.** Pred rezaním do stien, podláh a stropov skontrolujte polohu elektrických vodičov a potrubia.
- ♦ **Po uvoľnení hlavného vypínača bude pílový list pokračovať v pohybe.** Pred odložením píly vždy uvoľnite vypínač a počkajte, kým nedôjde k úplnému zastaveniu pílového listu.

Varovanie! Kontakt alebo vdychovanie prachu a pilín, ktoré vznikajú pri rezaní, môže ohroziť zdravie pracovníka aj okolostojacich osôb. Používajte masku proti prachu určenú špeciálne na ochranu pred toxickým prachom a podobnými látkami a zaistíte, aby boli takto chránené všetky osoby nachádzajúce sa alebo vstupujúce do pracovného priestoru.

- ◆ Toto náradie nie je určené na použitie osobami (vrátane detí) so zníženými fyzickými, zmyslovými alebo duševnými schopnosťami, alebo s nedostatkom skúseností a znalostí, ak týmto osobám nebol stanovený dohľad, alebo ak im neboli poskytnuté inštrukcie týkajúce sa použitia tohto výrobku osobou zodpovednou za ich bezpečnosť. Deti by mali byť pod dozorom, aby sa s náradím nehrali.
- ◆ V tomto návode je opísané určené použitie tohto náradia. Použitie iného príslušenstva alebo prídavného zariadenia a vykonávanie iných pracovných operácií s týmto náradím, než je odporúčané týmto návodom, môže spôsobiť poranenie obľuby alebo poškodenie zariadenia.

Bezpečnosť ostatných osôb

- ◆ Tento výrobok nie je určený na použitie osobami (vrátane detí) so zníženými fyzickými, zmyslovými alebo duševnými schopnosťami, alebo s nedostatkom skúseností a znalostí, ak týmto osobám nebol stanovený dohľad, alebo ak im neboli poskytnuté inštrukcie týkajúce sa použitia výrobku osobou zodpovednou za ich bezpečnosť.
- ◆ Deti by mali byť pod dozorom, aby sa so zariadením nehrali.

Zvyškové riziká.

Ak sa náradie používa iným spôsobom, než je uvedené v priložených bezpečnostných varovaniach, môžu sa objaviť dodatočné zvyškové riziká. Tieto riziká môžu vzniknúť v dôsledku nesprávneho použitia, dlhodobého použitia atď. Napriek tomu, že sa dodržiavajú príslušné bezpečnostné predpisy a používajú sa bezpečnostné zariadenia, určité zvyškové riziká sa nemôžu vylúčiť. Tieto riziká sú nasledujúce:

- ◆ **Zranenia spôsobené kontaktom s akoukoľvek rotujúcou alebo pohybujúcou sa časťou.**
- ◆ **Zranenia spôsobené pri výmene dielov, pracovného nástroja alebo príslušenstva.**

- ◆ **Zranenia spôsobené dlhodobým použitím náradia. Ak používate akékoľvek náradie dlhší čas, zaistíte, aby sa robili pravidelné prestávky.**
- ◆ **Poškodenie sluchu.**
- ◆ **Zdravotné riziká spôsobené vdychovaním prachu vytváraného pri použití náradia (príklad: - práca s drevom, najmä s dubovým, bukovým a MDF).**

Vibrácie

Deklarovaná úroveň vibrácií uvedená v technických údajoch a vo vyhlásení o zhode bola meraná v súlade so štandardnou skúšobnou metódou predpísanou normou EN 60745 a môže sa použiť na porovnanie jednotlivých náradí medzi sebou. Deklarovaná úroveň vibrácií sa môže tiež použiť na predbežné stanovenie času práce s týmto náradím.

Varovanie! Úroveň vibrácií pri aktuálnom použití elektrického náradia sa môže od deklarovanej úrovne vibrácií líšiť v závislosti od spôsobu použitia náradia. Úroveň vibrácií môže byť vzhľadom na uvedenú hodnotu vyššia.

Pri stanovení času pôsobenia vibrácií, z dôvodu určenia bezpečnostných opatrení podľa normy 2002/44/EC na ochranu osôb pravidelne používajúcich elektrické náradie v zamestnaní, by mal predbežný odhad pôsobenia vibrácií brať na zreteľ aktuálne podmienky použitia náradia s prihliadnutím na všetky časti pracovného cyklu, ako sú časy, keď je náradie vypnuté a keď beží naprázdno.

Štítky na náradí

Na náradí sú nasledujúce piktogramy:



Varovanie! Z dôvodu zníženia rizika spôsobenia úrazu si používateľ musí prečítať tento návod na obsluhu.

Elektrická bezpečnosť



Toto náradie je vybavené dvojistou izoláciou. Preto nie je nutné použitie uzemňovacieho vodiča. Vždy skontrolujte, či napájacie napätie zodpovedá napätiu na výkonovom štítku.

- ◆ Ak je poškodený prívodný kábel, musí byť vymenený výrobcom alebo v autorizovanom servise Black & Decker, aby sa zabránilo možným rizikám.

Popis

Toto zariadenie sa skladá z niektorých alebo zo všetkých nasledujúcich častí:

1. Vypínač zapnuté/vypnuté
2. Zaisťovacie tlačidlo
3. Výstup na odvod prachu
4. Základňa píly
5. Podporná kladka pílového listu

Obr. E

6. Úložný priestor pre pílový list (KS602E a KS603E)

Zostavenie

Varovanie! Pred vykonaním nasledujúcich operácií sa uistite, či je náradie vypnuté, odpojené od zdroja napätia a či došlo k úplnému zastaveniu pílového listu. Použité pílové listy môžu byť horúce.

Nastavenie podpornej kladky pílového listu (obr. A a B)

- ◆ Uvoľnite skrutky (8).
- ◆ Zatlačte podpornú kladku pílového listu (5) dopredu tak, aby sa dotýkala zadnej hrany pílového listu (7).
- ◆ Pritiahnite skrutky (8).

Nasadenie a vybratie pílového listu (obr. C)

- ◆ Pred nasadením alebo vybratím pílového listu (7) musí byť podporná kladka pílového listu (5) nastavená do zadnej polohy tak, aby nebola v kontakte s pílovým listom.
- ◆ Uvoľnite (ale neodstraňte) skrutky (10).
- ◆ Uchopte pílový list (7) tak, aby jeho zuby smerovali dopredu.
- ◆ Zasuňte upínaciu stopku pílového listu (7) čo najďalej do držiaka pílového listu (9).
- ◆ Zľahka striedavo doťahujte dve skrutky (10), aby došlo k nastaveniu správnej polohy pílového listu. Potom obe skrutky (10) celkom utiahnite.
- ◆ Podľa vyššie uvedeného postupu nastavte podpornú kladku pílového listu (5).
- ◆ Ak chcete pílový list odobrať (7), otočte obe skrutky (10) o jednu otáčku proti smeru pohybu hodinových ručičiek.

Pripojenie vysávača k náradiu (obr. D)

Ak chcete k náradiu pripojiť vysávač alebo odsávacie zariadenie, musíte použiť adaptér (11). Tento adaptér môžete kúpiť u najbližšieho autorizovaného predajcu Black & Decker.

- ◆ Nasuňte adaptér (11) na výstup na odvod prachu (3).

- ◆ Pripojte k adaptéru (11) hadicu vysávača (12).

Úložný priestor pre pílový list (iba KS602E a KS603E) (obr. E)

Pílové listy (7) môžu byť uložené v úložnom priestore (6), ktorý sa nachádza na bočnej časti náradia.

- ◆ Otvorte kryt úložného priestoru pre pílové listy (6) uchopením výstupku na hornej časti krytu a vyklopením krytu smerom von.
- ◆ Vyberte alebo uložte pílové listy (7) v úložnom priestore (6).
- ◆ Zavrite kryt úložného priestoru pílových listov (6) a uistite sa, že je kryt riadne uzatvorený.

Ofukovač čiar rezu (obr. F)

- ◆ Z dôvodu zlepšenia viditeľnosti čiar rezu počas rezania je Vaša priamočiara píla vybavená ofukovačom (13), ktorý bude udržiavať čistotu pracovnej plochy.

Použitie

Nastavenie základne píly na vykonávanie šikmých rezov (obr. G)

Základňa píly môže byť nastavená tak, aby sa mohli robiť priame rezy alebo ľavé a pravé šikmé rezy v uhle 45°.

- ◆ Uvoľnite skrutky (8).
- ◆ Posuňte základňu píly (4) dopredu, otočte základňu píly (4) doľava alebo doprava a zatlačte ju do polohy pre 45°.
- ◆ Zatlačte podpornú kladku pílového listu (5) dopredu tak, aby sa dotýkala pílového listu (7).
- ◆ Utiahnite skrutky (8).

Nastavenie základne píly späť do polohy pre priame rezy:

- ◆ Uvoľnite skrutky (8).
- ◆ Posuňte základňu píly (4) dopredu, otočte ju do stredovej polohy a zatlačte ju späť do polohy 0°.
- ◆ Zatlačte podpornú kladku pílového listu (5) dopredu tak, aby sa dotýkala pílového listu (7).
- ◆ Utiahnite skrutky (8).

Regulácia otáčok

Náradie je vybavené vypínačom s plynulou reguláciou otáčok (1). Prevádzkové otáčky závisia od intenzity stlačenia tohto vypínača.

- ◆ Na rezanie dreva používajte vysoké otáčky, stredné otáčky na rezanie hliníka a plastov a nízke otáčky na rezanie ostatných kovov okrem hliníka.

Zapnutie a vypnutie

- ♦ Ak chcete náradie zapnúť, stlačte vypínač zapnuté/vypnuté (1).
- ♦ Ak chcete náradie vypnúť, uvoľnite vypínač zapnuté/vypnuté (1).
- ♦ Nepretržitý chod náradia zaistíte stlačením zaistovacieho tlačidla (2) a uvoľnením vypínača zapnuté/vypnuté (1).
- ♦ Ak chcete náradie v režime nepretržitého chodu vypnúť, stlačte a uvoľnite vypínač zapnuté/vypnuté (1).

Rady na optimálne použitie

- ♦ Počas rezania držte náradie pevne oboma rukami.
- ♦ Základňa píly by mala byť pevne opretá o materiál, ktorý sa bude rezať. Týmto spôsobom zabránite odsakovaniu píly, obmedzíte vibrácie a budete minimalizovať poškodenie pilového listu.
- ♦ Pred začatím rezu nechajte pilový list niekoľko sekúnd v chode naprázdno.
- ♦ Pri rezaní vyvíjajte na náradie iba mierny tlak.

Rezanie vrstvených materiálov

Pri rezaní vrstvených materiálov môže dochádzať k štiepaniu, ktoré môže spôsobiť poškodenie povrchu obrobku. Väčšina bežných pilových listov vykonáva rez počas pohybu nahor. Preto v situácii, keď je základňa píly postavená na povrchu obrobku, používajte pilový list, ktorý vykonáva rez počas pohybu dole alebo:

- ♦ Použite pilový list s jemnými zubmi.
- ♦ Režte na opačnej strane obrobku.
- ♦ Ak chcete minimalizovať štiepanie obrobku, upnite na obe strany obrobku kúsok odpadového dreva alebo drevotriesky a urobte rez cez celú túto zostavu.

Rezanie kovov

- ♦ Uvedomte si, že rezanie kovu zaberie omnoho viac času než rezanie dreva.
- ♦ Používajte pilové listy vhodné na rezanie kovu.
- ♦ Pri rezaní tenkých kovových plechov upnite na spodnú stranu obrobku kúsok odpadového dreva a urobte rez cez celú túto zostavu.
- ♦ Naneste pozdĺž čiary rezu tenký olejový film.

Údržba

Vaše náradie Black & Decker bolo skonštruované tak, aby pracovalo dlhý čas s minimálnymi nárokmi na údržbu. Riadna starostlivosť o náradie a jeho pravidelné čistenie Vám zaistia jeho bezproblémový chod.

Varovanie! Pred údržbou alebo čistením sa uistite, že je náradie vypnuté a odpojené od zdroja napätia a že je celkom zastavený pilový list.

- ♦ Vetracie otvory náradia a nabíjačky pravidelne čistite mäkkou kefou alebo suchou handričkou.
- ♦ Pomocou vlhkej handričky pravidelne čistite kryt motora. Nepoužívajte žiadne abrazívne čistiace prostriedky alebo rozpúšťadlá. Nikdy nedovoľte, aby sa do náradia dostala akákoľvek kvapalina. Nikdy neponárajte žiadnu časť náradia do kvapaliny.

Výmena sieťovej zástrčky (iba pre Veľkú Britániu a Írsko)

Ak budete inštalovať novú zástrčku prívodného kábla:

- ♦ Zaisťte ekologické odstránenie starej zástrčky.
- ♦ Pripojte hnedý vodič k svorke pod napätím na novej zástrčke.
- ♦ Modrý vodič pripojte k nulovej svorke.

Varovanie! K uzemňovacej svorke nesmie byť pripojený žiadny vodič. Dodržujte montážne pokyny dodávané s kvalitnými zástrčkami. Odporúčaná poisťka: 5 A.

Ochrana životného prostredia



Triedte odpad. Tento výrobok sa nesmie vyhodiť do bežného domového odpadu.

Ak nebudete výrobok Black & Decker ďalej používať alebo ak si prajete ho nahradiť novým, nelikvidujte ho spolu s bežným komunálnym odpadom. Zlikvidujte tento výrobok v triedenom odpade.



Triedený odpad umožňuje recykláciu a opätovné využitie použitých výrobkov a obalových materiálov. Opätovné použitie recyklovaných materiálov pomáha chrániť životné prostredie pred znečistením a znižuje spotrebu surovín.

Pri kúpe nových výrobkov Vám predajne, miestne zberne odpadov alebo recyklačné stanice poskytnú informácie o správnej likvidácii elektro odpadov z domácnosti.

Spoločnosť Black & Decker poskytuje službu zberu a recyklácie výrobkov Black & Decker po skončení ich prevádzkovej životnosti. Ak chcete získať výhody tejto služby, odovzdajte, prosím, Váš výrobok ktorémukoľvek autorizovanému zástupcovi servisu, ktorý náradie odoberie a zaistí jeho recykláciu.

Miesto najbližšieho autorizovaného servisu Black & Decker nájdete na príslušnej adrese uvedenej v tomto návode. Zoznam autorizovaných servisov Black & Decker a podrobnosti o popredajnom servise nájdete aj na internetovej adrese: **www.2helpU.com**

Technické údaje

		KS600E/KS601E KS602E/KS603E (Typ 1)
Napájacie napätie	V_{AC}	230
Príkon	W	450
Otáčky naprázdno	min^{-1}	0-3 000
Max. hĺbka rezu		
Drevo	mm	60
Oceľ	mm	5
Hliník	mm	10
Hmotnosť	kg	1,9

Hladina akustického tlaku podľa normy EN 60745:
Akustický tlak (L_{pA}) 89 dB(A), odchýlka (K) 3 dB(A),
Akustický výkon (L_{WA}) 100 dB(A), odchýlka (K) 3 dB(A)

Celková úroveň vibrácií (priestorový vektorový súčet) podľa normy EN 60745:

Rezanie dreva ($a_{h,cw}$) 7,7 m/s^2 , odchýlka (K) 2,4 m/s^2 ,
Rezanie tabuľových plechov ($a_{h,cm}$) 9,1 m/s^2 , odchýlka (K) 1,5 m/s^2

ES Vyhlásenie o zhode v rámci EÚ

SMERNICA PRE STROJOVÉ ZARIADENIA



KS600E/KS601E/KS602E/KS603E

Spoločnosť Black & Decker vyhlasuje, že tieto produkty popisované v technických údajoch spĺňajú požiadavky nasledujúcich noriem: 2006/42/EC, EN 60745-1, EN 60745-2-11

Ak chcete získať ďalšie informácie, kontaktujte, prosím, spoločnosť Black & Decker na tejto adrese alebo na adresách, ktoré sú uvedené na konci tohto návodu.

Nižšie podpísaná osoba je zodpovedná za zostavenie technických údajov a vydáva toto vyhlásenie v zastúpení spoločnosti Black & Decker.

Kevin Hewitt
Viceprezident pre
spotrebiteľskú techniku
Black & Decker Europe,
210 Bath Road, Slough,
Berkshire, SL1 3YD
United Kingdom
31/03/2010

Záruka

Spoločnosť Black & Decker dôveruje kvalite svojho vlastného náradia a poskytuje kupujúcemu mimoriadnu záruku. Táto záruka je nadštandardná a v žiadnom prípade nepoškodzuje Vaše zákonné práva. Táto záruka platí vo všetkých členských štátoch EÚ a Európskej zóny voľného obchodu EFTA.

Ak sa na výrobku Black & Decker objavia, v priebehu 24 mesiacov od zakúpenia, akékoľvek materiálové či výrobné chyby, garantujeme, v snahe o minimalizovanie Vašich starostí, bezplatnú výmenu chybných dielcov, opravu alebo výmenu celého výrobku za nižšie uvedených podmienok:

- ◆ Výrobok nebol používaný na obchodné alebo profesionálne účely a nedochádzalo k jeho prenájamu.
- ◆ Výrobok nebol vystavený nesprávnemu použitiu a nebola zanedbaná jeho predpísaná údržba.
- ◆ Výrobok nebol poškodený cudzím zavinením.
- ◆ Neboli vykonávané opravy výrobku inými osobami než pracovníkmi značkového servisu Black & Decker.

Pri uplatňovaní reklamácie je nutné predajcovi alebo servisnému stredisku predložiť doklad o nákupe výrobku. Miesto Vašej najbližšej autorizovanej servisnej pobočky Black & Decker sa dozvíte na príslušnej adrese uvedenej na zadnej strane tejto príručky. Zoznam autorizovaných servisov Black & Decker a podrobnosti o popredajnom servise nájdete tiež na internetovej adrese: **www.2helpU.com**

Navštívte našu internetovú adresu **www.blackanddecker.sk** a zaregistrujte si Váš výrobok Black & Decker. Budete tak mať neustále prehľad o nových výrobkoch a špeciálnych ponukách. Ďalšie informácie o značke Black & Decker a o našom výrobnom programe získate na internetovej adrese **www.blackanddecker.sk**

Назначение

Ваш лобзик Black & Decker предназначен для выполнения работ по пиленю дерева, пластика и листового металла. Данный инструмент предназначен только для бытового использования.

Инструкции по технике безопасности

Общие правила безопасности при работе с электроинструментами



Внимание! Внимательно прочтите все инструкции по безопасности и руководство по эксплуатации.

Несоблюдение всех перечисленных ниже правил безопасности и инструкций может привести к поражению электрическим током, возникновению пожара и/или получению тяжелой травмы.

Сохраните все инструкции по безопасности и руководство по эксплуатации для их дальнейшего использования. Термин «Электроинструмент» во всех приведенных ниже указаниях относится к Вашему сетевому (с кабелем) электроинструменту или аккумуляторному (беспроводному) электроинструменту.

1. Безопасность рабочего места

a. Содержите рабочее место в чистоте и обеспечьте хорошее освещение. Плохое освещение или беспорядок на рабочем месте может привести к несчастному случаю.

b. Не используйте электроинструменты, если есть опасность возгорания или взрыва, например, вблизи легко воспламеняющихся жидкостей, газов или пыли. В процессе работы электроинструмент создает искровые разряды, которые могут воспламенить пыль или горючие пары.

c. Во время работы с электроинструментом не подпускайте близко детей или посторонних лиц. Отвлечение внимания может вызвать у Вас потерю контроля над рабочим процессом.

2. Электробезопасность

a. Вилка кабеля электроинструмента должна соответствовать штепсельной

розетке. Ни в коем случае не видоизменяйте вилку электрического кабеля. Не используйте соединительные штепсели-переходники, если в силовом кабеле электроинструмента есть провод заземления. Использование оригинальной вилки кабеля и соответствующей ей штепсельной розетки уменьшает риск поражения электрическим током.

b. Во время работы с электроинструментом избегайте физического контакта с заземленными объектами, такими как трубопроводы, радиаторы отопления, электроплиты и холодильники.

Риск поражения электрическим током увеличивается, если Ваше тело заземлено.

c. Не используйте электроинструмент под дождем или во влажной среде. Попадание воды в электроинструмент увеличивает риск поражения электрическим током.

d. Бережно обращайтесь с электрическим кабелем. Ни в коем случае не используйте кабель для переноски электроинструмента или для вытягивания его вилки из штепсельной розетки. Не подвергайте электрический кабель воздействию высоких температур и смазочных веществ; держите его в стороне от острых кромок и движущихся частей электроинструмента. Поврежденный или запутанный кабель увеличивает риск поражения электрическим током.

e. При работе с электроинструментом на открытом воздухе используйте удлинительный кабель, предназначенный для наружных работ. Использование кабеля, пригодного для работы на открытом воздухе, снижает риск поражения электрическим током.

f. При необходимости работы с электроинструментом во влажной среде используйте источник питания, оборудованный устройством защитного отключения (УЗО). Использование УЗО снижает риск поражения электрическим током.

3. Личная безопасность

a. При работе с электроинструментами будьте внимательны, следите за тем, что Вы делаете, и руководствуйтесь

здравым смыслом. Не используйте электроинструмент, если Вы устали, а также находясь под действием алкоголя или понижающих реакцию лекарственных препаратов и других средств. Малейшая неосторожность при работе с электроинструментами может привести к серьезной травме.

- b. **При работе используйте средства индивидуальной защиты. Всегда надевайте защитные очки.**
Своевременное использование защитного снаряжения, а именно: пылезащитной маски, ботинок на нескользящей подошве, защитного шлема или противошумных наушников, значительно снизит риск получения травмы.
- c. **Не допускайте непреднамеренного запуска. Перед тем, как подключить электроинструмент к сети и/или аккумулятору, поднять или перенести его, убедитесь, что выключатель находится в положении «выключено».** Не переносите электроинструмент с нажатой кнопкой выключателя и не подключайте к сетевой розетке электроинструмент, выключатель которого установлен в положение «включено», это может привести к несчастному случаю.
- d. **Перед включением электроинструмента снимите с него все регулировочные или гаечные ключи.** Регулировочный или гаечный ключ, оставленный закрепленным на вращающейся части электроинструмента, может стать причиной тяжелой травмы.
- e. **Работайте в устойчивой позе. Всегда твердо стойте на ногах, сохраняя равновесие.** Это позволит Вам не потерять контроль при работе с электроинструментом в непредвиденной ситуации.
- f. **Одевайтесь соответствующим образом. Во время работы не надевайте свободную одежду или украшения. Следите за тем, чтобы Ваши волосы, одежда или перчатки находились в постоянном отдалении от движущихся частей инструмента.** Свободная одежда, украшения или длинные волосы могут попасть в движущиеся части инструмента.
- g. **Если электроинструмент снабжен устройством сбора и удаления пыли,**

убедитесь, что данное устройство подключено и используется надлежащим образом. Использование устройства пылеудаления значительно снижает риск возникновения несчастного случая, связанного с запыленностью рабочего пространства.

4. **Использование электроинструментов и технический уход**
 - a. **Не перегружайте электроинструмент. Используйте Ваш инструмент по назначению.** Электроинструмент работает надежно и безопасно только при соблюдении параметров, указанных в его технических характеристиках.
 - b. **Не используйте электроинструмент, если его выключатель не устанавливается в положение включения или выключения.** Электроинструмент с неисправным выключателем представляет опасность и подлежит ремонту.
 - c. **Отключайте электроинструмент от сетевой розетки и/или извлекайте аккумулятор перед регулированием, заменой принадлежностей или при хранении электроинструмента.** Такие меры предосторожности снижают риск случайного включения электроинструмента.
 - d. **Храните неиспользуемые электроинструменты в недоступном для детей месте и не позволяйте лицам, не знакомым с электроинструментом или данными инструкциями, работать с электроинструментом.** Электроинструменты представляют опасность в руках неопытных пользователей.
 - e. **Регулярно проверяйте исправность электроинструмента. Проверяйте точность совмещения и легкость перемещения подвижных частей, целостность деталей и любых других элементов электроинструмента, воздействующих на его работу. Не используйте неисправный электроинструмент, пока он не будет полностью отремонтирован.** Большинство несчастных случаев являются следствием недостаточного технического ухода за электроинструментом.
 - f. **Следите за остротой заточки и чистотой режущих принадлежностей.**

Принадлежности с острыми кромками позволяют избежать заклинивания и делают работу менее утомительной.

- г. Используйте электроинструмент, аксессуары и насадки в соответствии с данным Руководством и с учетом рабочих условий и характера будущей работы.** Использование электроинструмента не по назначению может создать опасную ситуацию.

5. Техническое обслуживание

- а. Ремонт Вашего электроинструмента должен производиться только квалифицированными специалистами с использованием идентичных запасных частей.** Это обеспечит безопасность Вашего электроинструмента в дальнейшей эксплуатации.

Дополнительные меры безопасности при работе с электроинструментами



Внимание! Дополнительные меры безопасности при работе лобзиками и сабельными пилами

- ◆ **Держите инструмент за изолированные ручки при выполнении операций, во время которых режущий инструмент может соприкоснуться со скрытой проводкой или собственным кабелем.** Контакт режущей принадлежности с находящимся под напряжением проводом делает не покрытые изоляцией металлические части электроинструмента «живыми», что создает опасность поражения оператора электрическим током.
- ◆ **Используйте струбины или другие приспособления для фиксации обрабатываемой детали, устанавливая их только на неподвижной поверхности.** Если держать обрабатываемую деталь руками или с упором в собственное тело, то можно потерять контроль над инструментом или обрабатываемой деталью.
- ◆ **Держите руки вне зоны резания.** Ни в коем случае не держите руки под заготовкой. Не помещайте пальцы вблизи пильного полотна и его зажима. Не пытайтесь стабилизировать положение лобзика, удерживая его за поворотную подошву.

- ◆ **Следите за остротой заточки.** Затупленные или поврежденные пильные полотна могут заставить пилу отклониться от линии реза или остановиться под воздействием чрезмерного усилия. Всегда используйте пильное полотно, максимально соответствующее материалу заготовки и характеру реза.
- ◆ Прежде чем приступить к резке трубы или канала, убедитесь, что в них нет воды, электропроводки и т.д.
- ◆ Никогда не дотрагивайтесь до обрабатываемой заготовки или пильного полотна сразу по окончании работы инструмента. Они могут оказаться очень горячими.
- ◆ Ознакомьтесь с возможными скрытыми опасностями перед началом сквозного врезания в стены, полы или потолки, проверьте наличие электропроводки и трубопроводов.
- ◆ Полотно будет продолжать движение некоторое время после того, как Вы отпустите выключатель. Всегда выключайте электроинструмент и ждите, пока пильное полотно полностью не остановится прежде, чем положить электроинструмент.

Внимание! Контакт с пылью или вдыхание пыли, возникающей в ходе работ по резанию, может представлять опасность для здоровья оператора и окружающих лиц. Надевайте респиратор, специально разработанный для защиты от пыли и паров, и следите, чтобы лица, находящиеся в рабочей зоне, также были обеспечены средствами индивидуальной защиты.

- ◆ Использование инструмента физически или умственно неполноценными людьми, а также детьми и неопытными лицами допускается только под контролем ответственного за их безопасность лица. Не позволяйте детям играть с электроинструментом.
- ◆ Назначение инструмента описывается в данном руководстве по эксплуатации. Использование любых принадлежностей или приспособлений, а также выполнение данным инструментом любых видов работ, не рекомендованных данным руководством по эксплуатации, может привести к несчастному случаю и/или повреждению личного имущества.

Безопасность посторонних лиц

- ◆ Использование инструмента физическими или умственно неполноценными людьми, а также детьми и неопытными лицами допускается только под контролем ответственного за их безопасность лица.
- ◆ Не позволяйте детям играть с электроинструментом.

Остаточные риски

При работе с данным инструментом возможно возникновение дополнительных остаточных рисков, которые не вошли в описанные здесь правила техники безопасности. Эти риски могут возникнуть при неправильном или продолжительном использовании изделия и т.п. Несмотря на соблюдение соответствующих инструкций по технике безопасности и использование предохранительных устройств, некоторые остаточные риски невозможно полностью исключить. К ним относятся:

- ◆ **Травмы в результате касания вращающихся/двигающихся частей инструмента.**
- ◆ **Риск получения травмы во время смены деталей электроинструмента, пыльных полотен или насадок.**
- ◆ **Риск получения травмы, связанный с продолжительным использованием инструмента. При использовании инструмента в течение продолжительного периода времени делайте регулярные перерывы в работе.**
- ◆ **Ухудшение слуха.**
- ◆ **Ущерб здоровью в результате вдыхания пыли в процессе работы с электроинструментом (например, при распиле древесины, в особенности, дуба, бука и ДВП.)**

Вибрация

Значения уровня вибрации, указанные в технических характеристиках инструмента и декларации соответствия, были измерены в соответствии со стандартным методом определения вибрационного воздействия согласно EN60745 и могут использоваться при сравнении характеристик различных инструментов. Приведенные значения уровня вибрации могут также использоваться для предварительной оценки величины вибрационного воздействия.

Внимание! Значения вибрационного воздействия при работе с электроинструментом зависят от вида работ, выполняемых данным инструментом, и могут отличаться от заявленных значений. Уровень вибрации может превышать заявленное значение.

При оценке степени вибрационного воздействия для определения необходимых защитных мер (2002/44/ЕС) для людей, использующих в процессе работы электроинструменты, необходимо принимать во внимание действительные условия использования электроинструмента, учитывая все составляющие рабочего цикла, в том числе время, когда инструмент находится в выключенном состоянии, и время, когда он работает без нагрузки, а также время его запуска и отключения.

Маркировка инструмента

На инструменте имеются следующие знаки:



Внимание! Полное ознакомление с руководством по эксплуатации снизит риск получения травмы.

Электробезопасность



Данный электроинструмент защищен двойной изоляцией, исключающей потребность в заземляющем проводе. Следите за напряжением электрической сети, оно должно соответствовать величине, обозначенной на информационной табличке электроинструмента.

- ◆ Во избежание несчастного случая, замена поврежденного кабеля питания должна производиться только на заводе-изготовителе или в авторизованном сервисном центре Black & Decker.

Составные части

Ваш электроинструмент может содержать все или некоторые из перечисленных ниже составных частей:

1. Клавиша пускового выключателя
2. Кнопка блокировки пускового выключателя
3. Отверстие пылеотвода
4. Подошва
5. Направляющий ролик пыльного полотна

Рис. Е

6. Отделение для хранения пыльных полотен (модели KS602E и KS603E)

Сборка

Внимание! Перед выполнением любой из следующих операций убедитесь, что электроинструмент выключен и отсоединен от электросети, а пыльное полотно остановлено. В процессе работы пыльное полотно нагревается.

Регулировка направляющего ролика пыльного полотна (Рис. А и В)

- ◆ Ослабьте 2 винта (8).
- ◆ Сдвигайте направляющий ролик (5) вперед, пока он не коснется задней кромки пыльного полотна (7).
- ◆ Затяните 2 винта (8).

Установка и извлечение пыльного полотна (Рис. С)

- ◆ Перед установкой/снятием пыльного полотна (7), оттяните направляющий ролик (5) назад, чтобы он не касался пыльного полотна.
- ◆ Ослабьте (не выкручивайте полностью) два винта (10).
- ◆ Держите пыльное полотно (7), направив кромку с зубьями вперед.
- ◆ Вставьте хвостовик пыльного полотна (7) в держатель (9) до упора.
- ◆ Постепенно затягивайте два винта (10) для точного закрепления пыльного полотна на месте, затем полностью затяните два винта (10).
- ◆ Отрегулируйте направляющий ролик пыльного полотна (5), как это описано выше.
- ◆ Для снятия пыльного полотна (7), поверните оба винта (10) на один оборот против часовой стрелки.

Подключение пылесоса к инструменту (Рис. D)

Для подключения к инструменту пылесоса или пылеудаляющего устройства необходим переходник (11). Переходник можно приобрести у Вашего местного дилера Black & Decker.

- ◆ Вставьте переходник (11) в отверстие для удаления пыли (3).
- ◆ Подключите шланг пылесоса (12) к переходнику (11).

Хранение пыльных полотен (только модели KS602E и KS603E) (Рис. E)

Пыльные полотна (7) можно хранить в специальном отсеке (6), расположенном в боковой части электроинструмента.

- ◆ Откройте крышку отсека (6) для хранения пыльных полотен, откинув ее наружу за язычок.
- ◆ Выньте пыльное полотно (7) или поместите его в отсек для хранения (6).
- ◆ Закройте крышку отсека (6) для хранения пыльных полотен и проверьте, что она закрылась на защелку.

Устройство сдува опилок (Рис. F)

Ваш лобзик оборудован устройством сдува опилок (13), которое будет постоянно очищать линию реза от пыли, улучшая видимость при резании.

Эксплуатация

Регулировка подошвы для распилов с наклоном (Рис. G)

Подошва может устанавливаться как в положение для выполнения прямолинейных резов, так и для выполнения резов под углом 45° влево или вправо.

- ◆ Ослабьте винты (8).
- ◆ Сдвиньте подошву (4) вперед, поверните подошву (4) влево или вправо и сдвиньте ее назад в положение 45°.
- ◆ Сдвигайте направляющий ролик (5) вперед, пока он не коснется задней кромки пыльного полотна (7).
- ◆ Затяните винты (8).

Для возврата подошвы (4) в положение для прямолинейных резов:

- ◆ Ослабьте винты (8).
- ◆ Сдвиньте подошву (4) вперед, поверните подошву в среднее положение и сдвиньте ее назад в положение 0°.
- ◆ Сдвигайте направляющий ролик (5) вперед, пока он не коснется задней кромки пыльного полотна (7).
- ◆ Затяните винты (8).

Регулировка скорости

Данный инструмент оснащен клавишей пускового выключателя с регулировкой скорости (2). Скорость инструмента зависит от глубины нажатия на клавишу выключателя.

- ◆ Используйте высокую скорость для резания древесины, среднюю скорость для резания алюминия и ПВХ и низкую скорость для резания металлов, кроме алюминия.

Включение и выключение

- ◆ Чтобы включить инструмент, нажмите на клавишу пускового выключателя (1).

- ◆ Чтобы выключить инструмент, отпустите клавишу пускового выключателя (1).
- ◆ Для непрерывного режима работы нажмите кнопку блокировки выключателя (2) и отпустите клавишу пускового выключателя (1).
- ◆ Для выключения непрерывного режима работы инструмента нажмите и отпустите клавишу пускового выключателя (1).

Рекомендации по оптимальному использованию

- ◆ Во время распила крепко удерживайте инструмент обеими руками.
- ◆ Подошва должна быть плотно прижата к обрабатываемому материалу. Это поможет избежать подпрыгивания лобзика, снизит вибрацию и вероятность поломки пильного полотна.
- ◆ Перед выполнением реза дайте пильному диску поработать без нагрузки в течение нескольких секунд.
- ◆ При распиле прилагайте к инструменту только легкое усилие.

Пиление ламината

При распиле ламината может произойти его расщепление, что испортит внешний вид лицевой поверхности. Большинство стандартных пильных полотен выполняют рез при ходе вверх, поэтому, если подошва располагается на лицевой поверхности, используйте пильное полотно, которое режет при ходе вниз, или:

- ◆ Используйте пильное полотно с мелкими зубьями.
- ◆ Пилите по обратной стороне заготовки.
- ◆ Чтобы избежать расщепления ламината, поместите заготовку между двумя панелями из древесины или ДСП и пилите получившуюся сэндвич-панель.

Пиление металла

- ◆ Помните, что распил металла занимает гораздо больше времени, чем распил древесины.
- ◆ Используйте пильное полотно, предназначенное для распила металла.
- ◆ Для резания тонколистового металла, прикрепите деревянную панель к обратной стороне заготовки и выполняйте рез по получившейся сэндвич-панели.
- ◆ Нанесите масляную пленку вдоль предполагаемой линии реза.

Техническое обслуживание

Ваш инструмент Black & Decker рассчитан на работу в течение продолжительного времени при минимальном техническом обслуживании. Срок службы и надежность инструмента увеличивается при правильном уходе и регулярной чистке.

Внимание! Перед выполнением технического обслуживания или чистки убедитесь, что электроинструмент выключен и отсоединен от электросети, а пильное полотно остановлено.

- ◆ Регулярно очищайте вентиляционные отверстия инструмента и зарядного устройства мягкой щеткой или сухой тканью.
- ◆ Регулярно очищайте корпус двигателя влажной тканью. Не используйте абразивные чистящие средства, а также чистящие средства на основе растворителей. Не допускайте попадания какой-либо жидкости внутрь инструмента и никогда не погружайте в воду какую-либо из его частей.

Защита окружающей среды



Раздельный сбор. Данное изделие нельзя утилизировать вместе с обычными бытовыми отходами.

Если однажды Вы захотите заменить Ваш электроинструмент Black & Decker или Вы больше в нем не нуждаетесь, не выбрасывайте его вместе с бытовыми отходами. Отнесите изделие в специальный приемный пункт.



Раздельный сбор изделий с истекшим сроком службы и их упаковок позволяет пускать их в переработку и повторно использовать. Использование переработанных материалов помогает защищать окружающую среду от загрязнения и снижает расход сырьевых материалов.

Местное законодательство может обеспечить сбор старых электроинструментов отдельно от бытового мусора на муниципальных свалках отходов, или Вы можете сдавать их в торговом предприятии при покупке нового изделия.

Фирма Black & Decker обеспечивает прием и переработку отслуживших свой срок изделий Black & Decker. Чтобы воспользоваться этой услугой, Вы можете сдать Ваше изделие

в любой авторизованный сервисный центр, который собирает их по нашему поручению.

Вы можете узнать место нахождения Вашего ближайшего авторизованного сервисного центра, обратившись в Ваш местный офис Black & Decker по адресу, указанному в данном руководстве по эксплуатации. Кроме того, список авторизованных сервисных центров Black & Decker и полную информацию о нашем послепродажном обслуживании и контактах Вы можете найти в интернете по адресу: www.2helpU.com

Технические характеристики

	KS600E/KS601E	KS602E/KS603E(Тип 1)
Напряжение питания	В перем. тока	230
Потребляемая мощность	Вт	450
Число ходов без нагрузки	ход/мин.	0-3 000
Макс. глубина распила		
Древесина	мм	60
Сталь	мм	5
Алюминий	мм	10
Вес	кг	1,9

Уровень звукового давления в соответствии с EN 60745:

Звуковое давление (L_{pA}) 89 дБ(А), погрешность (К) 3 дБ(А), Акустическая мощность (L_{WA}) 100 дБ(А), погрешность (К) 3 дБ(А)

Сумма величин вибрации (сумма векторов по трем осям), измеренных в соответствии со стандартом EN 60745:

Распил древесины ($a_{h, CW}$) 7,7 м/с², погрешность (К) 2,4 м/с², Распил листового металла ($a_{h, CM}$) 9,1 м/с², погрешность (К) 1,5 м/с²

Декларация соответствия ЕС
ДИРЕКТИВА ПО МЕХАНИЧЕСКОМУ
ОБОРУДОВАНИЮ



KS600E/KS601E/KS602E/KS603E
Black & Decker заявляет, что продукты, обозначенные в разделе «Технические характеристики», полностью соответствуют стандартам: 2006/42/ЕС, EN 60745-1, EN 60745-2-11

За дополнительной информацией обращайтесь по указанному ниже адресу или по адресу, указанному на последней странице руководства.

Нижеподписавшееся лицо полностью отвечает за соответствие технических данных и делает это заявление от имени фирмы Black & Decker.

Кевин Хьюитт (Kevin Hewitt)
Вице-президент отдела
мирового проектирования
Black & Decker Europe,
210 Bath Road, Slough,
Berkshire, SL1 3YD
United Kingdom
31/03/2010

БЛЭК ЭНД ДЕККЕР

гарантийные условия

Уважаемый покупатель!

1. Поздравляем Вас с покупкой высококачественного изделия BLACK & DECKER и выражаем признательность за Ваш выбор.
- 1.1. Надежная работа данного изделия в течение всего срока эксплуатации - предмет особой заботы наших сервисных служб. В случае возникновения каких-либо проблем в процессе эксплуатации изделия рекомендуем Вам обращаться только в авторизованные сервисные организации, адреса и телефоны которых Вы сможете найти в Гарантийном талоне или узнать в магазине. Наши сервисные станции - это не только квалифицированный ремонт, но и широкий выбор запчастей и принадлежностей.
- 1.2. При покупке изделия требуйте проверки его комплектности и исправности в Вашем присутствии, инструкцию по эксплуатации и заполненный Гарантийный талон на русском языке. При отсутствии у Вас правильно заполненного Гарантийного талона мы будем вынуждены отклонить Ваши претензии по качеству данного изделия.
- 1.3. Во избежание недоразумений убедительно просим Вас перед началом работы с изделием внимательно ознакомиться с инструкцией по его эксплуатации.
- 1.4. Обращаем Ваше внимание на исключительно бытовое назначение данного изделия.
2. Правовой основой настоящих гарантийных условий является действующее Законодательство и, в частности, Закон "О защите прав потребителей".
3. Гарантийный срок на данное изделие составляет 24 месяца и исчисляется со дня продажи через розничную торговую сеть. В случае устранения недостатков изделия, гарантийный срок продлевается на период, в течение которого оно не использовалось.
4. Срок службы изделия - 5 лет (минимальный, установленный в соответствии с Законом "О защите прав потребителей").
5. Наши гарантийные обязательства распространяются только на неисправности, выявленные в течение гарантийного срока и обусловленные производственными и конструктивными факторами.
6. Гарантийные обязательства не распространяются:
 - 6.1. На неисправности изделия, возникшие в результате:
 - 6.1.1. Несоблюдения пользователем предписаний инструкции по эксплуатации изделия.
 - 6.1.2. Механического повреждения, вызванного внешним ударным или любым иным воздействием.

- 6.1.3. Использования изделия в профессиональных целях и объемах, в коммерческих целях.
- 6.1.4. Применения изделия не по назначению.
- 6.1.5. Стихийного бедствия.
- 6.1.6. Неблагоприятных атмосферных и иных внешних воздействий на изделие, таких как дождь, снег, повышенная влажность, нагрев, агрессивные среды, несоответствие параметров питающей электросети указанным на инструменте.
- 6.1.7. Использования принадлежностей, расходных материалов и запчастей, не рекомендованных или не одобренных производителем.
- 6.1.8. Проникновения внутрь изделия посторонних предметов, насекомых, материалов или веществ, не являющихся отходами, сопровождающими применение по назначению, такими как стружка опилки и пр. .
- 6.2. На инструменты, подвергавшиеся вскрытию, ремонту или модификации вне уполномоченной сервисной станции.
- 6.3. На принадлежности, запчасти, вышедшие из строя вследствие нормального износа, и расходные материалы, такие как приводные ремни, угольные щетки, аккумуляторные батареи, ножи, пилки, абразивы, пыльные диски, сверла, буры и т. п. .
- 6.4. На неисправности, возникшие в результате перегрузки инструмента, повлекшей выход из строя электродвигателя или других узлов и деталей. К безусловным признакам перегрузки изделия относятся, помимо прочих: появление цветов побежалости, деформация или оплавление деталей и узлов изделия, потемнение или обугливание изоляции проводов электродвигателя под воздействием высокой температуры.



ME 77



007

Блэк энд Деккер Гмбх
Блэк энд Деккер Штрассе, 40
65510 Идштайн, Германия

Область застосування

Ваша лобзикова пила виробництва компанії Black & Decker була розроблена для розпилювання дерева, пластмаси та листового металу. Цей інструмент призначений лише для побутового використання.

Інструкції з техніки безпеки

Загальні правила безпеки для електричного інструменту



Попередження! Перед використанням інструменту уважно прочитайте всі попередження та інструкції. Невиконання попереджень та інструкцій, наведених нижче, може призвести до ураження електричним струмом, пожежі та/або серйозних травм.

Збережіть всі попередження та інструкції для використання в майбутньому. Термін „електричний інструмент“, в усіх попередженнях, перерахованих нижче, стосується використовуваних Вами інструментів, що працюють від мережі енергоспоживання (з використанням електричного кабелю) або акумуляторів (без кабелю).

1. Безпека робочої зони

- a. **Тримайте робочу зону чистою та добре освітленою.** Неупорядковані та темні робочі зони збільшують ймовірність нещасного випадку.
- b. **Не використовуйте електричні інструменти у вибухонебезпечній атмосфері, наприклад, в присутності вогнєнебезпечних рідин, газів та пилу.** Електричні інструменти створюють іскри, що можуть запалити пил або випаровування.
- c. **Тримайте дітей та сторонніх подалі під час використання інструменту.** Відвернення уваги може призвести до втрати контролю.

2. Електрична безпека

- a. **Вилка електричного інструменту має відповідати розетці. Ніколи ніяким чином не змінюйте вилку. Не використовуйте адаптерів із заземленими електричними інструментами.** Немодифіковані вилки та розетки, що підходять до них, зменшують ризик ураження електричним струмом.
- b. **Уникайте контакту тіла з заземленими поверхнями, такими як труби, радіатори,**

плити та холодильники. Якщо Ваше тіло заземлене, збільшується ризик ураження електричним струмом.

- c. **Не залишайте електричні інструменти під дощем або в умовах підвищеної вологості.** Вода, що потрапляє в електричний інструмент, підвищує ризик ураження електричним струмом.
 - d. **Не використовуйте шнур не за призначенням. Ніколи не використовуйте шнур для перенесення, витягування та відключення від розетки живлення електричного інструменту. Тримайте шнур подалі від високих температур, мастила, гострих предметів та рухомих деталей.** Пошкоджені або перекручені шнури підвищують ризик враження електричним струмом.
 - e. **При використанні електричного інструменту на вулиці, використовуйте подовжуючий шнур, що підходить для використання на вулиці.** Використання шнура, що підходить для вулиці, знижує ризик ураження електричним струмом.
 - f. **Якщо неможливо уникнути використання електричного інструменту в умовах підвищеної вологості, використовуйте живлення, захищене пристроєм залишкового струму (RCD).** Використання RCD знижує ризик ураження електричним струмом.
- #### 3. Особиста безпека
- a. **Будьте в стані готовності, дивіться, що ви робите, та використовуйте загальний глузд, коли ви працюєте з електричним інструментом. Не використовуйте електричний інструмент, коли ви втомлені або знаходитесь під впливом наркотичних речовин, алкоголю або ліків.** Втрата уваги при роботі з електричними інструментами може призвести до серйозних травм.
 - b. **Використовуйте особисті засоби безпеки. Завжди використовуйте засоби захисту очей.** Засоби безпеки, такі як протипилова маска, неслизькі безпечні чоботи, твердий капелюх та засоби захисту слухового апарату, які використані для відповідних умов, зменшують ймовірність особистих травм.
 - c. **Уникнення випадкового запуску. Переконайтесь в тому, що вимикач**

знаходиться в позиції Вискл. перед підключенням до джерела живлення та/або акумулятора, переміщенням або перенесенням пристрою. Перенос електричних інструментів, не відпускаючи пальця з вимикача, або ввімкнення електричного інструменту з перемикачем в позиції „Ввімкнено“ може призвести до нещасного випадку.

- d. **Зніміть всі налаштувальні ключі або гайкові ключі перед тим, як вмикати електричний інструмент.** Гайковий ключ, що залишився прикріпленим до якоїсь деталі електричного пристрою, що обертається, може призвести до травм.
- e. **Не перенапружуйтеся. Завжди утримуйте правильну постановку ніг і рівновагу.** Це дає вам змогу краще контролювати інструмент в неочікуваних ситуаціях.
- f. **Вдягайтеся відповідним чином. Не вдягайте вільний одяг чи прикраси. Тримайте ваше волосся, одяг та рукавички подалі від рухомих деталей.** Вільний одяг, прикраси або довге волосся може зачепитися за рухомі деталі.
- g. **Якщо передбачені пристрої для підключення до засобів виділення та збирання пилу, переконайтеся, що вони правильно підключені та використовуються.** Використання таких пристроїв зменшує ризик виникнення небезпечних ситуацій, що пов'язані з потраплянням пилу.

4. Використання та догляд за електричним інструментом

- a. **Не використовуйте надмірні зусилля при роботі з інструментом. Використовуйте відповідний електричний інструмент для вашої задачі.** Правильно обраний інструмент виконає завдання краще та безпечніше за умов, для яких він був розроблений.
- b. **Не використовуйте інструмент, вмикач якого не вмикає та не вимикає його.** Будь-який електричний інструмент, який не може управлятися вмикачем, є небезпечним і має бути відремонтований.
- c. **Відключіть вилку від джерела живлення перед тим, як робити будь-які налаштування, змінювати додаткове обладнання чи перед зберіганням інструменту.** Ці профілактичні заходи

зменшують ризик випадкового запуску електричного інструменту.

- d. **Бережіть вимкнені електричні інструменти від дітей та не дозволяйте особам, що не знайомі з електричним інструментом або цими інструкціями використовувати електричний інструмент.** Електричні інструменти є небезпечними, якщо вони використовуються некваліфікованими користувачами.
 - e. **Технічне обслуговування електричних інструментів. Перевіряйте на відсутність вирівнювання або заїдання рухомих деталей, ушкоджених частин та інших умов, що можуть впливати на роботу електричного інструменту.** Якщо є ушкодження, відремонтуйте електричний інструмент перед використанням. Багато нещасних випадків є результатом того, що інструмент не пройшов відповідного технічного обслуговування.
 - f. **Тримайте ріжучі інструменти гострими та чистими.** Правильно доглянуті ріжучі інструменти з гострими ріжучими кромками мають меншу ймовірність заїдання, та ними легше керувати.
 - g. **Використовуйте електричний інструмент, додаткові інструменти та деталі інструменту тощо у відповідності до цих інструкцій та відповідно до даного типу електричних інструментів, зважаючи на умови використання та роботу, яка має бути виконана.** Використання електричних інструментів не за призначенням може призвести до виникнення небезпечних ситуацій.
- #### 5. Обслуговування
- a. **Надавайте Ваш електричний інструмент для обслуговування кваліфікованим спеціалістом з ремонту та використовуйте тільки ідентичні замінні деталі.** Це забезпечить безпеку електричного пристрою, що обслуговується.

Додаткові правила безпеки для електричного інструменту



Попередження! Додаткові попередження з техніки безпеки для лобзикових пилок та шабельних пилок

- ◆ **Тримайте електричні інструменти за ізольовану поверхню при виконанні**

операцій, при яких різуча поверхня може торкнутися схованих проводки або власного кабелю. Різучі елементи при контакті з дротом під напругою може призвести до появи напруги в інструменті та ураження оператора електричним струмом.

- ◆ **Використовуйте затискач або інший спосіб закріплення деталі, що оброблюється, на стабільній платформі.** Утримування заготовки в руці та біля тіла робить її нестабільною та може призвести до втрати контролю.
- ◆ **Тримайте руки подалі від різучої поверхні.** Ніколи не підставляйте руки під заготовку. Не підносьте пальці до пильного полотна із зворотного-поступальним рухом та до фіксатора пильного полотна. Не намагайтесь зробити пилку більш стійкою, тримаючись за опорну пластину.
- ◆ **Підтримуйте пильні полотна гострими.** Затуплені або пошкоджені пильні полотна спричиняють відхилення пилки від прямої лінії та заїдання під навантаження. Завжди використовуйте відповідні пильні полотна в залежності від матеріалу заготовки та типу розрізу.
- ◆ При розпилюванні труб або трубопроводів переконайтесь, що в них немає води, електричних кабелів, тощо.
- ◆ Не торкайтесь заготовки та пильного полотна відразу після використання інструменту. Вони можуть стати дуже гарячими.
- ◆ Перед розпилюванням стін, підлоги та стелі пам'ятайте про сховану небезпеку, перевірте розташування кабелів та труб.
- ◆ Пильне полотно продовжує рухатись після відпускання перемикача. Перед тим як покласти інструмент необхідно вимкнути його та зачекати, щоб пильне полотно повністю зупинилося.

Попередження! Вдихання пилу, що утворюється при розпилюванні може бути небезпечним для здоров'я оператора та навіть спостерігачів. Необхідно використовувати протипилову маску, яка призначена спеціально для захисту від пилу та випаровувань, та переконайтесь, що особи, які знаходяться в робочій зоні, також використовують засоби захисту.

- ◆ Цей інструмент не призначений для використання людьми (включаючи дітей)

з недостатніми фізичними, сенсорними або розумовими можливостями, або з недостатнім досвідом або знаннями, за винятком ситуацій, коли вони працюють під контролем або отримали відповідні інструкції щодо використання пристрою від відповідального за їх безпеку. Діти повинні знаходитись під контролем, щоб гарантувати, що вони не будуть грати з пристроєм.

- ◆ Використання за призначенням описане в цьому керівництві. Використання аксесуарів або приладдя, або виконання будь-яких дій з інструментом, що суперечать рекомендаціям цього керівництва, може призвести до ризику травмування людини та/або пошкодження майна.

Безпека сторонніх людей

- ◆ Цей інструмент не призначений для використання людьми (включаючи дітей) з недостатніми фізичними, сенсорними або розумовими можливостями, або з недостатнім досвідом або знаннями, за винятком ситуацій, коли вони працюють під контролем або отримали відповідні інструкції щодо використання пристрою від відповідального за їх безпеку.
- ◆ Діти повинні знаходитись під контролем, щоб гарантувати, що вони не будуть грати з пристроєм.

Залишкові ризики.

Додаткові залишкові ризики можуть виникнути при використанні інструменту, який не включено до наведених попереджень з техніки безпеки. Ці ризики можуть виникнути через невірне використання, тривале використання, тощо. Незважаючи на виконання всіх відповідних правил техніки безпеки та використання пристроїв безпеки, неможливо уникнути деяких залишкових ризиків. Сюди належать:

- ◆ **Травми через контакт з деталями, що рухаються/обертаються.**
- ◆ **Травми при заміні деталей, пильних полотен або аксесуарів.**
- ◆ **Травми через занадто тривале використання інструменту. При використанні будь-якого інструменту протягом тривалого періоду часу не забувайте робити регулярні перерви.**
- ◆ **Порушення слуху.**
- ◆ **Небезпека для здоров'я через вдихання пилу, що утворюється при використанні**

інструменту (наприклад, при роботі з деревом, особливо з дубом, березою та ДВП.)

3. Вихідний отвір для видалення пилу
4. Опорна пластина
5. Опорний ролик пильного полотна

Мал. Е

6. Відсік для зберігання пильного полотна (KS602E і KS603E)

Зборка

Попередження! Перед виконанням будь-якої з наступних операцій переконайтесь, що інструмент вимкнений та відключений від мережі живлення, а пильне полотно повністю зупинилося. Пильні полотна, що використовувались, можуть бути гарячими.

Налаштування опорного ролика пильного полотна (мал. А і В)

- ◆ Відпустіть гвинти (8).
- ◆ Натисніть на опорний ролик пильного полотна вперед (5) до моменту, коли він торкнеться заднього краю пильного полотна (7).
- ◆ Затягніть гвинти (8).

Встановлення та знімання пильного полотна (мал. С)

- ◆ Перед встановленням або зніманням пильного полотна (7) необхідно встановити опорний ролик пильного полотна (5) в заднє положення так, щоб він не торкався пильного полотна.
- ◆ Відпустіть (не витягуйте) два гвинти (10).
- ◆ Тримайте пильне полотно (7), щоб зубці були направлені вперед.
- ◆ Вставте хвостовик пильного полотна (7) в тримач полотна (9) до упору.
- ◆ Злегка затягніть два гвинти (10) по черзі, щоб вирівняти пильне полотно, а потім повністю затягніть обидва гвинти (10).
- ◆ Налаштуйте опорний ролик пильного полотна (5), як описано вище.
- ◆ Щоб зняти пильне полотно (7), поверніть обидва гвинти (10) на один виток проти годинникової стрілки.

Підключення пирососу до інструменту (мал. D)

Для підключення пирососу або пристрою для видалення пилу до інструменту необхідний адаптер (11). Адаптер можна придбати у місцевих представників компанії Black & Decker.

- ◆ Вставте адаптер (11) в отвір для видалення пилу (3).

Вібрація

Значення вібрації, вказані в технічних даних та в декларації про відповідність виміряні з дотриманням стандартних методів тестування, наданих в EN 60745, та їх можна використовувати для порівняння одного інструменту з іншим. Задекларовані значення вібрації можна також використовувати для попередньої оцінки впливу вібрації.

Попередження! Значення вібрації під час використання інструменту може відрізнятись від задекларованого в залежності від способів використання інструменту. Рівень вібрації може перевищувати вказані значення.

При оцінці впливу вібрації для визначення заходів безпеки за вимогами 2002/44/ЕС, щоб захистити людей, що регулярно використовують інструменти в роботі, необхідно враховувати реальні умови та способи використання інструменту, включаючи врахування всіх періодів робочого циклу, наприклад, часу, коли інструмент вимкнено та коли він знаходиться в режимі очікування, а також часу реальної роботи інструменту.

Написи на інструменті

На інструменті є наступні піктограми:



Попередження! Щоб зменшити ризик травм, користувач повинен прочитати керівництво з експлуатації.

Електрична безпека



Цей зарядний пристрій має подвійну ізоляцію; тому заземлення не є необхідним. Завжди перевіряйте, що джерело живлення відповідає напрузі, що вказана на табличці з паспортними даними.

- ◆ Якщо шнур живлення пошкоджений, його необхідно замінити у виробника або в офіційному сервісному центрі Black & Decker для уникнення небезпеки.

Деталі

Цей інструмент має деякі чи всі деталі з нижче вказаних:

1. Вимикач
2. Кнопка блокування

- ◆ Підключіть шланг пилососа (12) до адаптера (11).

Зберігання пильного полотна (лише для моделей KS602E і KS603E) (мал. Е)

Пильні полотна (7) можна зберігати у відсіку для зберігання (6), що розташований в боковій частині інструменту.

- ◆ Відкрийте кришку відсіку для зберігання пильних полотен (6), тримаючи її за виступ на верхній частині кришки та потягнувши назовні.
- ◆ Витягніть або покладіть пильні полотна (7) у відсік для зберігання (6).
- ◆ Закрийте кришку відсіку для зберігання пильних полотен (6) та переконайтесь, що вона зафіксована.

Система очищення лінії розтину (мал. F)

- ◆ Для покращення видимості при розрізанні Ваша ножівка оснащено системою очищення (вентилятором) лінії розтину (13), що очищує робочу область від пилу під час роботи.

Використання

Налаштування опорної пластини для зняття фаски (мал. G)

Опорну пластину можна встановити для створення прямих розтинів або зняття правої або лівої фаски під кутом 45°.

- ◆ Відпустіть гвинти (8).
- ◆ Потягніть опорну плиту (4) вперед, поверніть опорну плиту (4) вліво або вправо та штовхніть назад в положення 45°.
- ◆ Натисніть на опорний ролик пильного полотна вперед (5) до моменту, коли він торкнеться пильного полотна (7).
- ◆ Затягніть гвинти (8).

Для повернення опорної пластини в положення для прямих розрізів:

- ◆ Відпустіть гвинти (8).
- ◆ Потягніть опорну плиту (4) вперед, поверніть її в центр та штовхніть назад в положення 0°.
- ◆ Натисніть на опорний ролик пильного полотна вперед (5) до моменту, коли він торкнеться пильного полотна (7).
- ◆ Затягніть гвинти (8).

Регулятор змінної швидкості

Інструмент має перемикач змінної швидкості (1). Швидкість інструменту залежить від того, наскільки сильно ви натиснете на перемикач.

- ◆ Використовуйте велику швидкість для дерева, середню - для алюмінію та ПВХ, а низьку - для інших металів, крім алюмінію.

Вмикання та вимикання

- ◆ Щоб ввімкнути інструмент, натисніть на перемикач (1).
- ◆ Щоб вимкнути інструмент, відпустіть перемикач (1).
- ◆ Для безперервної роботи натисніть кнопку блокування (2) та відпустіть перемикач змінної швидкості (1).
- ◆ Щоб вимкнути інструмент при безперервній роботі, натисніть перемикач (1) та відпустіть його.

Примітки для оптимального використання

- ◆ При розпилюванні міцно тримайте інструмент обома руками.
- ◆ Необхідно добре притискати опорну пластину до матеріалу, що розпилюється. Це допоможе уникнути віддачу пилки, зменшити вібрацію та мінімізувати можливість поломки пильного полотна.
- ◆ Полотно повинно спочатку просто попрацювати перед початком різання.
- ◆ Застосовуйте лише м'який тиск на інструмент при розпилюванні.

Розпилювання ламінатів

При розпилюванні ламінатів матеріал може розколотися, пошкодивши лицьову поверхню. Більшість пильних полотен розрізають знизу вгору, тому якщо опорна плита притиснена до лицьової сторони матеріалу, краще використовуйте пильне полотно, що різє зверху донизу або:

- ◆ Використовуйте пильне полотно з мілкими зубцями.
- ◆ Розпилюйте з задньої сторони заготовки.
- ◆ Щоб звести до мінімуму можливість розколювання, прикріпіть до заготовки шматочок дерева або картону з обох сторін та розпилюйте цей „сандвіч“.

Розпилювання металу

- ◆ Пам'ятайте, що розпилювання металу займає набагато більше часу, ніж розпилювання деревини.
- ◆ Використовуйте спеціальне пильне полотно для металу.
- ◆ При розрізанні листового металу закріпіть шматочок дерева до задньої поверхні заготовки та розрізайте цей „сандвіч“.

- ◆ Нанесіть шар мастила вздовж необхідної лінії розрізу.

Технічне обслуговування

Ваш інструмент виробництва компанії Black & Decker призначений для роботи протягом довгого часу з мінімальним обслуговуванням. Постійна задовільна робота залежить від правильного догляду за інструментом та регулярної очистки.

Попередження! Перед виконанням будь-якого обслуговування або очищення переконайтесь, що інструмент вимкнений та відключений від мережі живлення, а пильне полотно повністю зупинилося.

- ◆ Регулярно очищуйте вентиляційний отвір за допомогою м'якої щітки або сухої ганчірки.
- ◆ Регулярно очищуйте корпус мотору, використовуючи вологу ганчірку. Не використовуйте абразивні очищувачі та засоби, що містять розчинники. Не дозволяйте рідині потрапляти всередину інструменту та ніколи не занурюйте деталі інструменту в рідину.

Заміна шнура живлення (тільки для Великобританії та Ірландії)

Якщо нові шнури живлення мають бути прилаштовані:

- ◆ Зніміть стару вилку, дотримуючись техніки безпеки.
- ◆ Приєднайте коричневий провідник до активного виходу вилки.
- ◆ Підключіть синій кабель до нейтральної клеми.

Попередження! Жоден провідник повинен бути підключений до клеми заземлення. Дотримуйтесь інструкцій щодо налаштування, що поставляються з якісними вилками. Плавкий запобіжник, що рекомендується: 5 А.

Захист навколишнього середовища



Окреме збирання. Цей продукт не можна викидати разом зі звичайним побутовим сміттям.

Якщо якийсь ви вирішите, що ваш виріб фірми Black & Decker має бути замінено, або він Вам більше не потрібний, не викидайте його на смітник побутового сміття. Зробіть цей виріб доступним для спеціального збирання.



Окремий збір використаних виробів та упаковки дозволяє повторно переробляти та використовувати матеріали. Переробка повторно використовуваних матеріалів допомагає попередити забруднення навколишнього середовища та зменшує потребу в сировині.

Місцеві законодавчі акти можуть передбачати окремий збір електричного обладнання в муніципальних місцях для збору сміття або продавцями при покупці нового обладнання.

Компанія Black & Decker має можливість для збору та переробки продуктів власного виробництва після закінчення їхнього терміну служби. Щоб скористатися цією послугою, поверніть виріб компанії в офіційний сервісний центр, які збирають відпрацьовані продукти за наш рахунок.

Ви можете знайти місцезнаходження найближчого до Вас сервісного центру, зв'язавшись з місцевим офісом компанії Black & Decker за адресою, вказаною в цих інструкціях. Крім того, список офіційних сервісних центрів компанії Black & Decker з усіма подробицями нашого післяпродажного обслуговування та контактною інформацією міститься в Інтернеті за адресою:

www.2helpU.com

Технічні дані

	KS600E/KS601E	KS602E/KS603E(Тип 1)
Вхідна напруга	V_{AC} 230	
Вхідна потужність	W 450	
Швидкість без навантаження	об / хв	0-3 000
Макс. глибина розрізу		
Деревина	мм	60
Сталь	мм	5
Алюміній	мм	10
Вага	кг	1,9

Рівень звукового тиску згідно з EN 60745:
 Звуковий тиск (L_{pA}) 89 дБ(А), похибка (К) 3 дБ(А)
 Звукова потужність (L_{WA}) 100 дБ(А), похибка (К) 3 дБ(А)

Загальні значення вібрації (векторна сума трьох векторів) згідно з EN 60745:
 Розпилювання дерева ($a_{h,cw}$) 7,7 м/с², похибка

(K) 2,4 м/с², Розпилювання листового металу
(a_{н,см}) 9,1 м/с², похибка (K) 1,5 м/с²

Заява про відповідність ЄС
ДИРЕКТИВА ДЛЯ МЕХАНІЧНОГО
ОБЛАДНАННЯ



KS600E/KS601E/KS602E/KS603E

Компанія Black & Decker заявляє, що продукти,
описані в розділі „Технічні дані“ відповідають:
2006/42/EC, EN 60745-1, EN 60745-2-11.

Для отримання додаткової інформації, будь
ласка, зверніться до компанії Black & Decker за
наступною адресою або прочитайте інформацію
на зворотній стороні цього керівництва.

Нижчепідписаний несе відповідальність за
упорядкування файлу технічних характеристик
та робить цю заяву від компанії Black & Decker.

Кевін Хьюїт (Kevin Hewitt)
Віце-президент
з глобальних розробок
Black & Decker Europe,
210 Bath Road, Slough,
Berkshire, SL1 3YD
Великобританія
31/03/2010

БЛЕК ЕНД ДЕККЕР

гарантійні умови

Шановний покупцю!

1. Вітаємо Вас з покупкою високоякісного виробу компанії Black & Decker та висловлюємо Вам свою вдячність за Ваш вибір.
- 1.1. Надійна робота цього виробу на протязі всього терміну експлуатації є предметом особливої турботи наших сервісних служб. У випадку виникнення будь-яких проблем в процесі експлуатації виробу ми рекомендуємо Вам звертатися лише до авторизованих сервісних організацій, адреси та телефони яких Ви зможете знайти в Гарантійному талоні або дізнатися в магазині. Наші сервісні центри – це не тільки кваліфікований ремонт, але і широкий вибір запчастин та аксесуарів.
- 1.2. При купівлі виробу вимагайте перевірки його комплекtnості та справності за Вашої присутності, наявності інструкції та заповненого Гарантійного талону на українській мові. За умови відсутності у Вас правильно заповненого Гарантійного талону ми будемо вимушені відхилити Ваші претензії щодо якості цього виробу.
- 1.3. Щоб уникнути всіх непорозумінь наполегливо просимо Вас перед початком роботи з виробом уважно ознайомитись з інструкцією щодо його експлуатації.
- 1.4. Звертаємо Вашу увагу на виключно побутове призначення цього виробу.
2. Правовою основою даних гарантійних умов є діюче Законодавство та, зокрема, Закон "Про захист прав споживачів".
3. Гарантійний термін на даний виріб складає 24 місяці та починається з дня продажу через роздрібну торгову мережу. У випадку усунення недоліків виробу гарантійний термін подовжується на період, протягом якого виріб не використовувався.
4. Термін служби виробу - 5 років (мінімальний, встановлений у відповідності до Закону "Про захист прав споживачів").
5. Наші гарантійні зобов'язання поширюються тільки на несправності, виявлені протягом гарантійного терміну та обумовлені виробничими та конструктивними факторами.
6. Гарантійні зобов'язання не поширюються:
 - 6.1. На несправності виробу, що виникли в результаті:
 - 6.1.1. Недотримання користувачем вказівок інструкції з експлуатації виробу.
 - 6.1.2. Механічних пошкоджень, викликаних зовнішнім ударним або іншим впливом.
 - 6.1.3. Використання виробу в професійних цілях та об'ємах, в комерційних цілях.
 - 6.1.4. Застосування виробу не за призначенням.
 - 6.1.5. Стихійного лиха.

- 6.1.6. Несприятливому атмосферному та інших зовнішніх впливах на виріб, таких як дощ, сніг, підвищена вологість, нагрів, агресивні середовища, невідповідність параметрів електромережі параметрам, вказаним на інструменті.
- 6.1.7. Використання аксесуарів, витратних матеріалів та запчастин, які не рекомендовані або не схвалені виробником.
- 6.1.8. Проникнення всередину інструменту сторонніх предметів, комах, матеріалів або речовин, що не є відходами, які супроводжують використання інструменту за призначенням, наприклад, стружки, опилки та ін.
- 6.2. На інструменти, що були відкриті, піддані ремонту або модифікації поза уповноваженим сервісним центром.
- 6.3. На приналежності, запчастини, що вийшли з ладу внаслідок нормального зносу, та витратні матеріали, такі як, приводні ремені, вугільні щітки, ножі, та ін.
- 6.4. На несправності, які виникли в результаті переважанення інструменту, що призвело до виходу з ладу електродвигуна або інших вузлів та деталей. До безумовних ознак переважанення виробу належать, зокрема: поява кольорів мінливості, деформація або оплавлення деталей та вузлів виробу, потемніння або обуглювання ізоляції дрітві електродвигуна під впливом високої температури.



Блек енд Декер ГмбХ,
Блек енд Декер Штрассе, 40,
65510 Ідштайн, Німеччина.

03 червня 1999 р.

Kullanım amacı

Black & Decker dekupaj testeranız ahşap, plastik ve sac metal kesimi için tasarlanmıştır. Bu alet sadece hafif hizmet ve hobi kullanımını içindir.

Güvenlik talimatları

Genel elektrikli alet güvenlik uyarıları



Uyarı! Bütün güvenlik uyarılarını ve talimatlarını mutlaka okuyun. Aşağıda yer alan uyarılar ve talimatların herhangi birisine uyulmaması elektrik çarpması, yangın ve/veya ciddi yaralanma riskine neden olabilir.

Bütün uyarı ve güvenlik talimatlarını ileride

bakmak üzere saklayın. Aşağıda yer alan uyarılardaki «elektrikli alet» terimi şebeke elektriğiyle (kablolu) veya akü/pille (şarjlı) çalışan elektrikli aletinizi ifade etmektedir.

1. Çalışma alanının güvenliği

- Çalışma alanını temiz ve aydınlık tutun.** Karışık veya karanlık alanlar kazaya davetiye çıkarır.
- Elektrikli aletleri, yanıcı sıvılar, gazlar ve tozların bulunduğu yerler gibi yanıcı ortamlarda çalıştırmayın.** Elektrikli aletler, toz veya dumanları ateşleyebilecek kıvılcımlar çıkarır.
- Bir elektrikli aleti çalıştırırken çocuklardan ve etraftaki kişilerden uzak tutun.** Dikkatinizi dağıtıcı şeyler kontrolü kaybetmenize neden olabilir.

2. Elektrik güvenliği

- Elektrikli aletlerin fişleri prizlere uygun olmalıdır. Fiş üzerinde kesinlikle hiçbir değişiklik yapmayın. Topraklı elektrikli aletlerde hiçbir adaptör fişi kullanmayın.** Değiştirilmemiş fişler ve uygun prizler elektrik çarpması riskini azaltacaktır.
- Borular, radyatörler, ocaklar ve buzdolapları gibi topraklanmamış yüzeylerle vücut temasından kaçının.** Vücudunuzun topraklanması halinde yüksek bir elektrik çarpması riski vardır.
- Elektrikli aletleri yağmura maruz bırakmayın veya ıslatmayın.** Elektrikli alete su girmesi elektrik çarpması riskini artıracaktır.
- Elektrik kablosunu uygun olmayan amaçlarla kullanmayın. Elektrikli aleti kesinlikle kablosundan tutarak taşımayın, çekmeyin veya prizden çıkartmayın.**

Kabloyu sıcaktan, yağdan, keskin kenarlardan veya hareketli parçalardan uzak tutun. Hasarlı veya dolaşmış kablolar elektrik çarpması riskini artırır.

- Elektrikli bir aleti açık havada çalıştırıyorsanız, açık havada kullanıma uygun bir uzatma kablosu kullanın.** Açık havada kullanıma uygun bir kablunun kullanılması elektrik çarpması riskini azaltır.
 - Eğer bir elektrikli aletin nemli bir bölgede çalıştırılması zorunluysa, bir artık akım aygıtı (RCD) korumalı bir kaynak kullanın.** Bir RCD kullanılması elektrik şoku riskini azaltır.
- Kişisel güvenlik**
 - Elektrikli bir aleti kullanırken her zaman dikkatli olun, yaptığınızı işe yoğunlaşın ve sağduyulu davranın. Elektrikli bir aleti yorgunken veya ilaç ya da alkolün etkisi altındayken kullanmayın.** Elektrikli aletleri kullanırken bir anlık dikkatsizlik ciddi kişisel yaralanmayla sonuçlanabilir.
 - Kişisel koruyucu ekipmanları mutlaka kullanın. Daima koruyucu gözlük takın.** Koşullara uygun toz maskesi, kaymayan güvenlik ayakkabıları, baret veya kulaklık gibi koruyucu donanımların kullanılması kişisel yaralanmaları azaltacaktır.
 - İstem dışı çalıştırılmasını önleyin. Cihazı güç kaynağına ve/veya aküye bağlamadan, yerden kaldırmadan veya taşımadan önce düğmenin kapalı konumda olduğundan emin olun.** Aleti, parmağınız düğme üzerinde bulunacak şekilde taşımak veya açık konumdaki elektrikli aletleri elektrik şebekesine bağlamak kazaya davetiye çıkarır.
 - Elektrikli aleti açmadan önce tüm ayarlamaları anahtarlarını çıkartın.** Elektrikli aletin hareketli bir parçasına takılı kalmış bir anahtar kişisel yaralanmaya neden olabilir.
 - Ulaşmakta zorlandığınız yerlerde kullanmayın. Daima sağlam ve dengeli basın.** Bu, beklenmedik durumlarda elektrikli aletin daha iyi kontrol edilmesine olanak tanır.
 - Uygun şekilde giyinin. Bol elbiseler giymeyin ve takı takmayın. Saçınızı, elbiselerinizi ve eldivenlerinizi hareketli parçalardan uzak tutun.** Bol elbiseler ve takılar veya uzun saç hareketli parçalara takılabilir.
 - Eğer kullandığınız üründen toz emme ve toplama özellikleri olan ataşmanlar varsa**

buların bağlı olduğundan ve doğru şekilde kullanıldığından emin olun. Bu toz toplama ataşmanların kullanılması tozla ilgili tehlikeleri azaltabilir.

Elektrikli el aletleri için ek güvenlik talimatları



Uyarı! Dekupaj ve tilki kuyruğu testereleri için ek güvenlik talimatları

- ◆ **Kesme aksesuarının gizli kablolarına veya kendi kablosuna temas edebileceği yerlerde çalışma yaparken elektrikli aleti yalıtımlı kavrama yüzeylerinden tutun.** Kesme aksesuarının «akım taşıyan» bir kabloya temas etmesi durumunda elektrikli aletin metal kısımları da «akım taşıyor» hale gelecek ve kullanıcının elektrik çarpmasına neden olabilir.
 - ◆ **Üzerinde çalıştığınız parçayı sabitlemek ve desteklemek için kelepçeler veya başka pratik yöntemler kullanın.** Parçayı elle veya vücudunuza dayamanız dengersiz durmasına neden olacaktır ve aletin kontrolünü kaybetmenize yol açabilir.
 - ◆ **Ellerinizi kesim alanından uzak tutun.** Çalıştığınız parçanın altına hiçbir nedenle girmeyin. Pistonlu bıçak ve bıçak kelepçesinin yakınına parmaklarınızı veya başparmağınızı sokmayın. Testereyi tabanından tutarak dengelemeye çalışmayın.
 - ◆ **Bıçakları keskin durumda muhafaza edin.** Körelmiş veya hasarlı bıçaklar testerenin basınç altında başka bir yöne fırlamasına veya sıkışmasına neden olabilir. Her zaman, üzerinde çalışılan malzeme ve kesim tipine uygun tipte testere bıçağı kullanın.
 - ◆ Boru veya kanal keserken içlerinden su, elektrik kablosu vb. geçmediğinden emin olun.
 - ◆ Aletle çalıştıktan sonra çalışma parçası veya bıçağı dokunmayın. Çok sıcak olabilirler.
 - ◆ Duvarlarda, zeminlerde veya tavanlarda kesim yapmadan önce gizli tehlikelere karşı dikkatli olun; kablo ve boruların yerlerini kontrol edin.
 - ◆ Bıçak, düğme bıraktıktan sonra da hareket etmeye devam edecektir. Aleti yere bırakmadan önce daima kapatın ve testere bıçağının tamamen durmasını bekleyin.
- Uyarı!** Kesim uygulamaları nedeniyle açığa çıkan tozla temas, operatörün ve çevrede bulunanların sağlığını tehlikeye atabilir. Toz ve dumanlara karşı korunma için özel olarak tasarlanmış bir toz maskesi kullanın ve çalışma alanına giren veya bu alanda bulunan kişilerin de korunduğundan emin olun.
- ◆ Bu alet fiziksel ve zihinsel kapasitesinin yanı sıra algılama gücü azalmış olan veya

4. Elektrikli aletlerin kullanımı ve bakımı

- a. **Elektrikli aleti zorlamayın. Uygulanız için doğru elektrikli aleti kullanın.** Doğru elektrikli alet, belirlendiği kapasite ayarında kullanıldığında daha iyi ve güvenli çalışacaktır.
- b. **Düğme açmıyor ve kapatmıyorsa elektrikli aleti kullanmayın.** Düğmeyle kontrol edilemeyen tüm elektrikli aletler tehlikelidir ve tamir edilmesi gerekmektedir.
- c. **Herhangi bir ayarlama, aksesuar değişimi veya elektrikli aletlerin saklanması öncesinde fişi güç kaynağından çekin ve/veya aküyü elektrikli aletten ayırın.** Bu tür önleyici güvenlik tedbirleri aletin istem dışı olarak çalıştırılması riskini azaltacaktır.
- d. **Elektrikli aleti, çocukların ulaşamayacağı yerlerde saklayın ve elektrikli aleti tanımayan veya bu talimatları bilmeyen kişilerin elektrikli aleti kullanmasına izin vermeyin.** Elektrikli aletler, eğitimsiz kullanıcıların elinde tehlikelidir.
- e. **Elektrikli aletleri iyi durumda muhafaza edin.** Hareketli parçalardaki hizalama hatalarını ve tutuklukları, parçalardaki kırılmalar ve elektrikli aletin çalışmasını etkileyebilecek tüm diğer koşulları kontrol edin. Hasarlı ise, elektrikli aleti kullanmadan önce tamir ettirin. Kazaların çoğu, elektrikli aletlerin bakımının yeterli şekilde yapılmamasından kaynaklanır.
- f. **Kesim aletlerini keskin ve temiz tutun.** Bakımı uygun şekilde yapılmış keskin kesim uçlu kesim aletlerinin sıkışma ihtimali daha düşüktür ve kontrol edilmesi daha kolaydır.
- g. **Elektrikli aleti, aksesuarlarını ve aletin diğer parçalarını kullanırken bu talimatlara mutlaka uyun ve çalışma ortamının koşullarını ve yapılacak işin ne olduğunu göz önünde bulundurun.** Elektrikli aletin öngörülen işlemler dışındaki işlemler için kullanılması tehlikeli durumlara neden olabilir.

5. Servis

- a. **Elektrikli aletinizi, sadece orijinal yedek parçaların kullanıldığı yetkili servise tamir ettirin.** Bu, elektrikli aletin güvenliğinin muhafaza edilmesini sağlayacaktır.

yeterince deneyim ve bilgisi bulunmayan kişiler (çocuklar dahil) tarafından kullanılmak üzere üretilmemiştir. Bu tür kişiler aleti ancak güvenliklerinden sorumlu bir kişi tarafından cihazın kullanımıyla ilgili talimatların verilmesi veya sürekli kontrol altında tutulması durumunda kullanabilir. Çocuklar, aletle oynamalarını önlemek amacıyla kontrol altında tutulmalıdır.

- ◆ Kullanım amacı bu kullanım kılavuzunda açıklanmıştır. Herhangi bir aksesuarın veya bağlantının ya da işlemin, bu kılavuzda tavsiye edilen şekilde başka bir şekilde kullanılması şahısların yaralanmalarına ve/veya mal kaybına yol açabilir.

Diğer kişilerin güvenliği

- ◆ Bu alet fiziksel ve zihinsel kapasitesinin yanı sıra algılama gücü azalmış olan veya yeterince deneyim ve bilgisi bulunmayan kişiler (çocuklar dahil) tarafından kullanılmak üzere üretilmemiştir. Bu tür kişiler aleti ancak güvenliklerinden sorumlu bir kişi tarafından cihazın kullanımıyla ilgili talimatların verilmesi veya sürekli kontrol altında tutulması durumunda kullanabilir.
- ◆ Çocuklar, aletle oynamalarını önlemek amacıyla kontrol altında tutulmalıdır.

Diğer tehlikeler.

Aletin kullanımıyla ilgili ekte sunulan güvenlik uyarılarına dahil olmayan ilave kalıcı riskler ortaya çıkabilir. Bu riskler, hatalı, uzun süreli kullanım vb. dolayısıyla ortaya çıkabilir.

Emniyet tedbirlerini düzenleyen yönetmeliğin uygulanmasına ve emniyet sağlayıcı aygıtların kullanılmasına rağmen, başka belirli risklerden kaçınılamaz. Bunlar:

- ◆ **Aletin dönen ve hareket eden parçalarına dokunma sonucu ortaya çıkan yaralanmalar.**
- ◆ **Herhangi bir parçayı, bıçak veya aksesuarı değiştirirken ortaya çıkan yaralanmalar.**
- ◆ **Aletin uzun süreli kullanılması sonucu ortaya çıkan yaralanmalar. Herhangi bir aleti uzun sürelerle kullanacaksanız düzenli olarak çalışmanıza ara verin.**
- ◆ **Duyma bozukluğu.**
- ◆ **Aleti kullanırken ortaya çıkan tozun solunması sonucu ortaya çıkan sağlık sorunları (örnek: ahşapta çalışırken, özellikle meşe, akgürgen ve MDF.)**

Titreşim

Teknik veriler ve uygunluk beyanatu içerisinde belirtilen titreşim emisyon değerleri EN60745 tarafından belirlenen standart bir test yöntemine uygun olarak ölçülmektedir ve diğer bir aletle karşılaştırma yaparken kullanılabilir. Beyan edilen titreşim emisyon değeri aynı zamanda maruz kalmanın önceden değerlendirilmesinde de kullanılabilir.

Uyarı! Elektrikli aletin mevcut kullanımı sırasındaki titreşim emisyon değeri, aletin kullanım yöntemine bağlı olarak, beyan edilen değere göre farklılık sergileyebilir. Titreşim düzeyi belirlenen seviyenin üzerinde artış gösterebilir.

İşyerinde düzenli olarak elektrikli alet kullanan çalışanları korumak amacıyla 2002/44/EC tarafından getirilen elektrik güvenliği önlemlerini belirlemek üzere titreşime maruz kalmayı değerlendirirken, çalışma döngüsü içerisinde örneğin aletin kapalı olduğu ve aktif durumda olmasının yanı sıra boşta çalıştığı zamanlar gibi, bütün zaman dilimleri dahil olmak üzere mevcut kullanım durumu ve aletin kullanım şekli göz önünde bulundurulur değerlendirilmelidir.

Alet üzerindeki etiketler

Alet üzerinde, aşağıdaki uyarı sembolleri bulunmaktadır:



Uyarı! Yaralanma riskini en aza indirmek için kullanıcı kullanım talimatlarını mutlaka okumalıdır.

Elektrik güvenliği



Bu alet çift yalıtımlıdır. Bu yüzden hiçbir topraklama kablosuna gerek yoktur. Her zaman şebeke geriliminin aletin üretim etiketinde belirlenmiş değerlere uyup uymadığını kontrol edin.

- ◆ Elektrik kablosu hasarlı ise, bir tehlike oluşmasını önlemek için üretici ya da yetkili Black & Decker Servis Merkezi tarafından değiştirilmelidir.

ÖZELLİKLER

Bu alet, aşağıdaki özelliklerin bir kısmını veya tümünü içermektedir:

1. Açma/kapama düğmesi
2. Kesintisiz çalıştırma düğmesi
3. Toz atma çıkışı
4. Testere tabanı
5. Testere bıçağı destek silindiri

Şekil E

6. Testere bıçağı saklama bölmesi (KS602E ve KS603E)

Montaj

Uyarı! Aşağıdaki işlemlerden herhangi birini gerçekleştirmeden önce, aletin kapalı ve fişinin çekili olduğundan ve testere bıçağının durduğundan emin olun. Kullanılmış testere bıçakları sıcak olabilir.

Testere bıçak destek silindirinin ayarlanması (Şekil A ve B)

- ◆ İki vidayı (8) gevşetin.
- ◆ Bıçak destek silindirini (5) testere bıçağının arka kenarına (7) dokunana kadar ileri doğru itin.
- ◆ İki vidayı (8) sıkın.

Testere bıçağının takılması ve sökülmesi (Şekil C)

- ◆ Testere bıçağını (7) takmadan veya sökmeden önce testere bıçağı destek silindiri (5), bıçağa dokunmamasını sağlamak için arka konuma ayarlanmalıdır.
- ◆ İki vidayı (10) gevşetin (sökmeyin).
- ◆ Testere bıçağını (7) dişleri dışarı bakacak şekilde tutun.
- ◆ Testere bıçağının sap kısmını (7) bıçak yuvasına (9) gittiği kadar sokun.
- ◆ İki vidayı (10) sırayla hafifçe sıkarak bıçağı konumlandırın ve ardından iki vidayı (10) sonuna kadar sıkın.
- ◆ Testere bıçağı destek silindirini (5) yukarıda açıklandığı gibi ayarlayın.
- ◆ Testere bıçağını (7) sökmek için her iki vidayı da (10) saatin aksi yönde bir tur çevirin.

Alete bir elektrikli süpürge bağlanması (Şekil D)

Alete elektrikli süpürge veya toz tahliye cihazı bağlamak için bir adaptör (11) gereklidir. Bu adaptörü, bölgenizdeki Black & Decker bayiinden edinebilirsiniz.

- ◆ Adaptörü (11) toz atma çıkışının (3) içine itin.
- ◆ Elektrikli süpürge hortumunu (12) adaptöre (11) bağlayın.

Testere bıçağının saklanması (yalnızca KS602E ve KS603E) (Şekil E)

Testere bıçakları (7) aletin yan kısmındaki saklama bölümünde (6) saklanabilir.

- ◆ Kapağın üstündeki tırnağı tutup dışarı çekerek testere bıçağı saklama bölümünün kapağını (6) açın.

- ◆ Testere bıçaklarını (7) saklama bölümünden (6) çıkartın veya bölmeye yerleştirin.
- ◆ Testere bıçağı saklama bölümünün kapağını (6) kapatın ve mandalının kapandığından emin olun.

Toz Üfleme (Şekil F)

- ◆ Kesim sırasında kestiğiniz yeri görmenizi kolaylaştırmak için dekupaj testereniz, siz kesim yaparken çalışma alanındaki tozları temizleyen toz üfleme özelliği (13) ile donatılmıştır.

Kullanımı**Açılı kesimler için testere tabanının ayarlanması (Şekil G)**

Testere tabanı düz bir kesim veya 45°'lik sağa ya da sola açılı bir kesim yapacak şekilde ayarlanabilir.

- ◆ Vidaları (8) gevşetin.
 - ◆ Testere tabanını (4) ileri çekin, testere tabanını (4) sola veya sağa döndürün ve 45° konumuna geri itin.
 - ◆ Bıçak destek silindirini (5) testere bıçağına (7) dokunana kadar ileri doğru itin.
 - ◆ Vidaları (8) sıkın.
- Testere tabanını düz kesimlere göre sıfırlamak için
- ◆ Vidaları (8) gevşetin.
 - ◆ Testere tabanını (4) öne çekin, ortaya çevirin ve 0° konumuna geri itin.
 - ◆ Bıçak destek silindirini (5) testere bıçağına (7) dokunana kadar ileri doğru itin.
 - ◆ Vidaları (8) sıkın.

Değişken hız kontrolü

Aletin bir değişken hızlı açma/kapama düğmesi (2) bulunmaktadır. Çalışma hızı düğmeye ne kadar bastığınıza bağlıdır.

- ◆ Ahşap için yüksek, alüminyum ve PVC için orta ve alüminyum dışındaki metaller için düşük hızı kullanın.

Açılması ve kapatılması

- ◆ Aleti açmak için, açma/kapama düğmesine (1) basın.
- ◆ Aleti kapatmak için açma/kapama düğmesini (1) bırakın.
- ◆ Sürekli çalışması için kesintisiz çalıştırma düğmesine (2) basın ve açma/kapama düğmesini (1) bırakın.
- ◆ Kesintisiz çalışma konumundayken aleti kapatmak için açma/kapama düğmesine (1) basın ve bırakın.

Yararlı tavsiyeler

- ◆ Kesim sırasında aleti iki elinizle sıkıca tutun.
- ◆ Taban, kesilen malzemeye sıkıca dayanmalıdır. Bu, testerenin sıçramasını önleyecek, titreşimi azaltacak ve bıçağın kırılma olasılığını en aza indirecektir.
- ◆ Kesme işlemine başlamadan önce bıçağın birkaç saniye boşa dönmesine izin verin.
- ◆ Kesme işlemi sırasında alete yalnızca hafif bir baskı uygulayın.

Laminatların kesilmesi

Lamine yüzeyleri keserken, malzemenin görünen yüzünden hasara yol açabilecek parçalanmalar meydana gelebilir. Testere bıçaklarının çoğu yukarı doğru dönerek kestiği için, testere tabanının malzemenin görünen yüzeyine yerleştirilerek kesim yapıldığı hallerde ya aşağı yönde kesen bir testere bıçağı kullanın ya da:

- ◆ Hassas kesim bıçağı kullanın.
- ◆ Üzerinde çalıştığınız parçanın arka yüzünden kesin.
- ◆ Kıymıksız, temiz kesimler elde etmek için kesilen malzemenin her iki yüzeyine de bir parça kontrplak veya sert tahta parçaları yerleştirin ve kesim işlemi bu şekilde yapın.

Metal kesme

- ◆ Metal kesiminin ahşap kesiminden çok daha fazla zaman aldığını unutmayın.
- ◆ Metal kesmeye uygun bir testere bıçağı kullanın.
- ◆ Sacı keserken üzerinde çalıştığınız parçanın her iki yüzüne bir parça takoz sıkıştırın ve oluşan bloğun içinden kesin.
- ◆ Öngördüğünüz kesim hattı boyunca bir kat yağ sürün.

Bakım

Black & Decker aletiniz minimum bakımla uzun bir süre çalışacak şekilde tasarlanmıştır. Kesintisiz olarak memnuniyet verici bir şekilde çalışması gerekli özenin gösterilmesine ve düzenli temizliğe bağlıdır.

Uyarı! Herhangi bir bakım işleminden önce, aletin kapalı ve fişinin çekili olduğundan ve testere bıçağının durduğundan emin olun.

- ◆ Aletinizdeki ve şarj cihazındaki havalandırma deliklerini yumuşak bir fırça veya kuru bir bezle düzenli olarak temizleyin.
- ◆ Motor muhafazasını düzenli olarak nemli bir bezle silin. Aşındırıcı veya çözücü bazlı temizleyiciler kullanmayın. Aletin içine sıvı

kaçmasına kesinlikle izin vermeyin ve aletin hiçbir parçasını kesinlikle sıvıya batırmayın.

Çevrenin korunması



Ayrı olarak atın. Bu ürün, normal evsel atıklarla birlikte atılmamalıdır.

Black & Decker ürününüzün değiştirilmesi gerektiğini düşünmeniz veya artık kullanılamaz durumda olması halinde onu, evsel atıklarla birlikte atmayın. Bu ürünü, ayrı olarak toplanacak şekilde atın.



Kullanılmış ürünlerin ve ambalajların ayrı olarak toplanması bu maddelerin geri dönüşüme sokularak yeniden kullanılmasına olanak tanır. Geri dönüşümlü maddelerin tekrar kullanılması çevre kirliliğinin önlenmesine yardımcı olur ve ham madde ihtiyacını azaltır.

Yerel yönetmelikler, elektrikli ürünlerin evlerden toplanıp belediye atık tesislerine aktarılması veya yeni bir ürün satın alırken perakende satıcı tarafından toplanması yönünde hükümler içerebilir.

Black & Decker, hizmet ömrünün sonuna ulaşan Black & Decker ürünlerinin toplanması ve geri dönüşüme sokulması için bir imkân sunmaktadır. Bu hizmetin avantajlarından faydalanmak için, lütfen, ürününüzü bizim adımıza teslim alacak herhangi bir yetkili servise iade edin.

Bu kılavuzda belirtilen listeden size en yakın yetkili tamir servisinin yerini öğrenebilirsiniz. Ya da, alternatif olarak internet'ten Black & Decker yetkili tamir servislerinin listesini ve satış sonrası hizmetlerimizle ilgili tüm bilgiler ve temas bilgilerine aşağıdaki siteden ulaşabilirsiniz.

www.2helpU.com

Teknik özellikleri

	KS600E/KS601E	KS602E/KS603E(Type 1)
Giriş voltajı	V _{AC}	230
Giriş gücü	W	450
Yüksüz hızı	dev/dak	0-3 000
Maks. kesme derinliği		
Ahşap	mm	60
Çelik	mm	5
Alüminyum	mm	10
Ağırlık	kg	1,9

EN 60745'e göre ses basıncı düzeyi:

Ses basıncı (L_{pA}) 89 dB(A), belirsizlik (K) 3 dB(A)
Akustik güç (L_{WA}) 100 dB(A), belirsizlik (K) 3 dB(A)

EN 60745'e göre tespit edilen toplam titreşim değerleri (üç yönün vektör toplamı):

Ahşap kesme ($a_{h,CW}$) 7,7 m/s², belirsizlik (K) 2,4 m/s², Sac metal kesme ($a_{h,CM}$) 9,1 m/s², belirsizlik (K) 1,5 m/s²

AT Uygunluk Beyanıtı

MAKİNE DİREKTİFİ



KS600E/KS601E/KS602E/KS603E

Black & Decker, «teknik özellikleri» bölümünde açıklanan bu ürünlerin aşağıda belirtilen yönergelere uygun olduğunu beyan eder: 2006/42/EC, EN 60745-1, EN 60745-2-11

Daha fazla bilgi için, lütfen aşağıdaki adresten Black & Decker ile irtibata geçin veya kılavuzun arkasına bakın.

Bu belge altında imzası bulunan yetkili, teknik dosyanın derlenmesinden sorumludur ve bu beyanı Black & Decker adına vermiştir.

Kevin Hewitt
Başkan Yardımcısı,
Global Mühendislik
Black & Decker Europe,
210 Bath Road, Slough,
Berkshire, SL1 3YD
İngiltere
31/03/2010

Garanti

Black & Decker, ürünün kalitesinden emindir ve bu yüzden kanunlarda belirtilen taleplerin üstünde bir garanti verir. Ayrıca bu garanti hiçbir şekilde garanti ile ilgili kanuni haklarınızı ihlal etmez ve haklarınızı hiç bir şekilde kısıtlamaz. İşbu garanti Avrupa Birliği'ne üye ülkeler ile Avrupa Serbest Ticaret Bölgesi sınırları dahilinde geçerlidir.

Eğer bir Black & Decker ürünü, satın alma tarihinden itibaren 24 ay içinde hatalı malzeme ve işçilik nedeniyle bozulursa, müşteriye mümkün olabilecek en az sorunu yaşatarak Black & Decker hatalı kısımları değiştirmeyi, adil bir şekilde aşınmış ve yıpranmış ürünleri tamir etmeyi veya değiştirmeyi garanti eder. Ancak bu belirtilenler şu durumlar dışında geçerlidir:

- ◆ Ürün ticari veya profesyonel amaçlarla kullanılmıyorsa veya kiraya verilmişse;
- ◆ Ürün yanlış veya amaç dışı kullanılmışsa;
- ◆ Ürün yabancı nesnelere, maddelere veya kaza sırasında zarar görmüşse;
- ◆ Yetkili tamir servisleri veya Black & Decker servis ekibinden başkası tarafından tamir edilmeye çalışılmışsa.

Garanti talebinde bulunmak için, satıcıya veya yetkili tamir servisine satın aldığınıza dair ispat sunmalısınız. Fatura ve garanti kartı gerekmektedir. Bu kullanım kılavuzunda belirtilen listeden size en yakın yetkili servis adresini öğrenebilirsiniz. Ya da, alternatif olarak internet'ten Black & Decker yetkili tamir servislerinin listesini ve satış sonrası hizmetlerimizle ilgili tüm bilgiler ve temas bilgilerine aşağıdaki siteden ulaşabilirsiniz.

www.2helpU.com

Sanayi ve Ticaret Bakanlığı tebliğince kullanım ömrü 10 yıldır.

Türkiye Distribütörü

KALE HIRDAVAT VE MAKİNA A.Ş.
Deftardar Mah. Savaklar Cad. No. 15
34050 Edirnekapı Eyüp İstanbul

No.	İl	Yetkili Servis	Adres	Telefon
1	Adana	Emin Elektrik	Kızılay Cad. 6.Sok. No.9/D	0322 351 80 46
2	Amasya	Teknik Bobinaj	Beyazıt Paşa Mah. Mehmet Vorinli Cad. No.20/B	0358 218 26 82
3	Ankara	Orhan Bobinaj	Yalınç Sok. No.17 Siteler	0312 350 95 29
4	Ankara	Yiğit Bobinaj	Merkez 668.Sok. Eminel Yapı Koop. No.8 İvedik Ostim	0312 395 05 37
5	Antalya	E.B.A. Elektrik	Sanayi Sitesi 682.Sok. No.38	0242 345 36 22
6	Antalya - Alanya	Abaloğlu Bobinaj	Sanayi Sitesi Yeni Yol Girişi No.8	0242 512 02 16
7	Aydın	Tacıroğlu Bobinaj	2.Sanayi Sitesi 3.Sok. No.55	0256 219 43 30
8	Aydın - Kuşadası	Özgür Bobinaj	Kuşadası Sanayi Sitesi J.Blok No.13	0256 622 13 73
9	Balıkesir	Tezger Bobinaj	Küçük Sanayi Bölgesi Dökmeciler Sok. No.15	0266 241 63 85
10	Balıkesir - Bandırma	Küre Bobinaj	Atatürk Cad. No.104 Bandırma	0266 718 46 79
11	Balıkesir - Edremit	Özkan Bobinaj	Cennet Ayağı Mah. Demirbaş Sitesi A4-Bl. No.2/B	0266 374 20 29
12	Bursa	Vokart	Gazlılar Cad. Erikli Bahçe Sok. No.6/B	0224 254 48 75
13	Çanakkale	Kısacık Bobinaj	Namık Kemal Mah. Kaynak Sok. No.41	0286 217 96 71
14	Çorum	Emek Bobinaj	Küçük Sanayi Sitesi 23.Cad. No.5/C Cami yanı	0364 234 68 84
15	Denizli	Örsler Bobinaj	Bakırlı Mah. 171.Sok. Sedef Çarşısı No.9-10	0258 261 42 72
16	Diyarbakır	Çetsan Elektrik	İnönü Cad. Ziya Gökalp Sok. No.45	0412 237 29 04
17	Düzce	Yıldız Makine	Burhaniye Mah. Gen. Kazım Sok. No.10	0380 514 70 56
18	Edirne	Efe Bobinaj	Sanayi Sitesi 22.Blok No.5	0284 225 35 73
19	Erzincan	Ümit Elektrik Makine	Sanayi Çarşısı 767.Sok. No.71	0446 224 08 01
20	Eskişehir	Meriç Bobinaj	Akçağlan Mah. Meriç Sok. No.4/A	0222 230 94 44
21	Gaziantep	Karashaşin Bobinaj	Şenyurt Cad. No.35 Şahinbey	0342 231 17 33
22	İsparta	İşık Bobinaj	Piri Mehmet Mah. 107.Cad. No.5	0246 223 20 28
23	İçel - Mersin	Şekerler Elektrik Bobinaj	Nusratiye Mah. 5005.Sok. No.20/A	0324 336 70 98
24	İçel - Mersin	Üniversal Bobinaj	Nusratiye Mah. Çiftçiler Cad. 68.Sok. No.19	0324 233 44 29
25	İstanbul	AKEL Elektrik Servis Hiz.	Yukarı Dudullu Nato Yolu Cad. No.109B Ümraniye	0216 540 53 54
26	İstanbul	Fırat Dış Ticaret	Tersane Cad. Kut Han No.38 K.3 D.307-308 Karaköy	0212 252 93 43
27	İstanbul	Birlik Elektromekanik	Perpa Tic. Merkezi B.Blok Mavi Avlu Kat.4 No.318 Okmeydanı	0212 222 94 18
28	İstanbul	Kardeşler Bobinaj	Çağlayan Mah. Sinanpaşa Cad. No.5 Çağlayan	0212 224 97 54
29	İstanbul	Mert Elektrik Ltd.	İkitelli Org. Sanayi Demirciler Sitesi D2.Blok No.280 İkitelli	0212 549 65 78
30	İstanbul	SVS Teknik	İstasyon Cad. GLBTAŞ Sanayi Sitesi No.24 Kat 2 İçmeler Tuzla	0216 446 69 39
31	İstanbul	Tarık Makina Ltd.	Bağdat Cad. Adalı Sok. No.101/10 Maltepe	0216 370 21 11
32	İstanbul	Tekniker Bobinaj	Birlik Sanayi Sitesi 7.Cad. No.2 Beylikdüzü	0212 875 19 31
33	İzmir	Birlik Bobinaj	2824 Sok. No.18 Halkapınar 1.Sanayi Sitesi	0232 458 39 42
34	İzmir	Boro Cıvata	1203/2.Sok. No.B2 Gıda Çarşısı Yenışehir	0232 469 80 70
35	İzmir	Doruk Hırdavat	1426.Sok. No.14 Hurdacılar Sitesi Doğanlar Bornova	0232 478 14 12
36	Kayseri	Akın Elektrik	Eski Sanayi Bölgesi 5.Cad. No.8	0352 336 41 23
37	Kocaeli - Gebze	Gülsoy Elektrik	Menzilhane Cad. 1111.Sok. No.7	0262 646 92 49
38	Kocaeli - İzmit	Efe Elektrik Bobinaj	Körfez Küçük Sanayi Sitesi 12.Blok No.13	0262 335 18 94
39	Konya	Murat Bobinaj	Karatay Sanayi Çiçekli Sok. No.83	0332 235 64 63
40	Konya	Sözener Bobinaj	Fevzi Çakmak Mah. Komsan İş Mer. 10562 Sok. No.62	0332 342 63 18
41	Kütahya	Doğan Bobinaj	Yeni Sanayi Sitesi 19.Sok. No.28/1	0274 231 22 00
42	Malatya	Özer Bobinaj	Yeni Sanayi Sitesi 2.Cad. No.95	0422 336 39 53
43	Muğla - Bodrum	Bodrum Makine	Türkuyusu Mah. Etem Demiröz Sok. Sanayi Sitesi 12	0252 316 28 51
44	Muğla - Marmaris	Başaran Teknik	Beldibi Cad. No.5/C	0232 412 85 11
45	Neşehir	Çiftgüç Elektrik	Yeni Sanayi Sitesi 8.Blok No.53	0384 213 19 96
46	Sakarya - Adapazarı	Engin El. Bobinaj	Papuççular Mah. Papuççular Cad. No.40	0264 273 87 69
47	Samsun	Akış Bobinaj	Sanayi Sitesi Ulus Cad. No.31B	0362 238 07 23
48	Sivas	Bayraktar Elektrik	Yeni Çarşı No.72C	0346 221 47 55
49	Tekirdağ - Çorlu	Ümit Elektrik	Camiatik Mah. Ereğli Sok. No.1	0282 653 27 77
50	Tokat	Çetin Elektrik	Sanayi Sitesi No.22 Cami Altı	0356 214 63 07
51	Trabzon	Makina Market	Rize Cad. No.71 Değirmendere	0462 328 14 80
52	Uşak	Zengin Bobinaj	İsliçe Mah. Ürem Sok. No.10/C	0276 227 27 46
53	Yalova	Kale İnşaat	Merkez Mah. Devlet Yolu Cad. No.70 Paytazdere Yalova	0226 461 22 42
54	Zonguldak - KDZ Ereğli	Tümen Bobinaj	Kışla Sanayi Sitesi D.Blok No.17	0372 323 74 97

