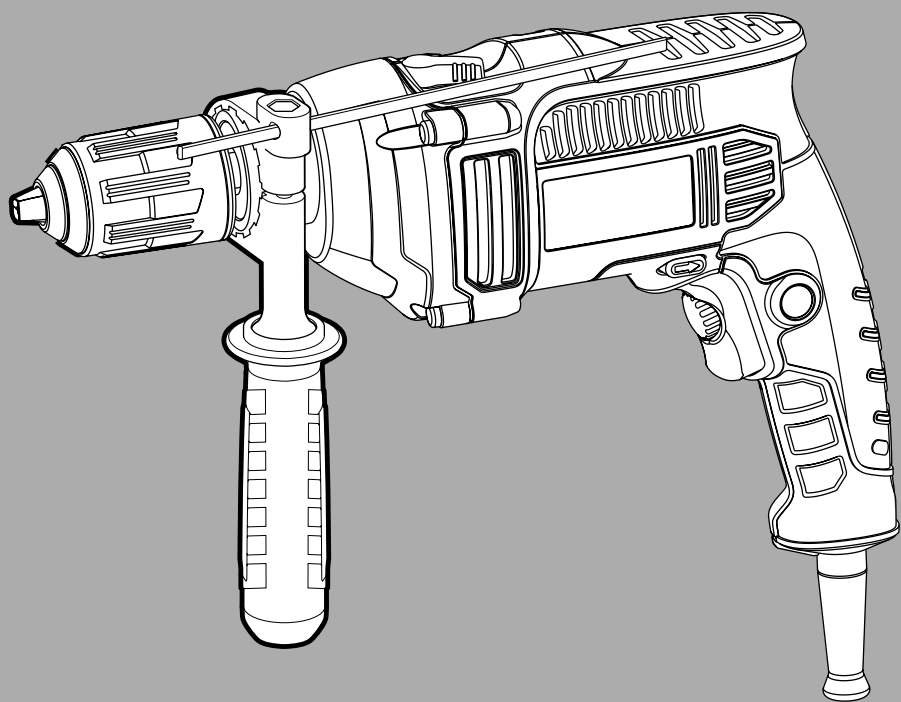


 **BLACK & DECKER®**



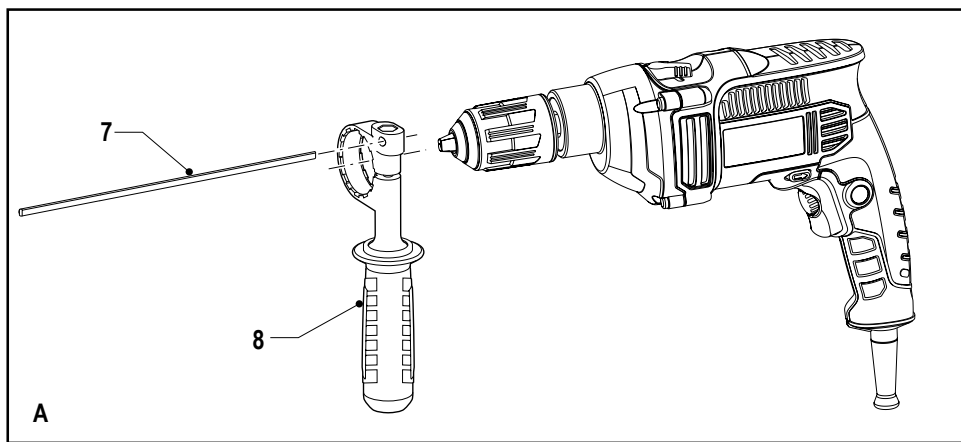
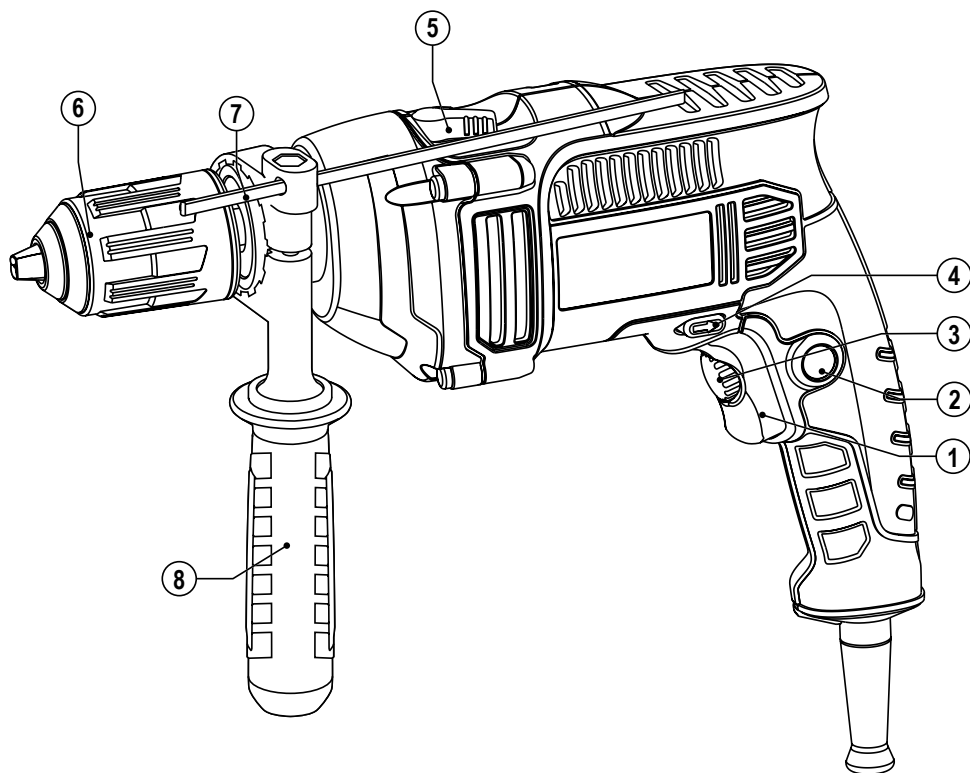
KR705

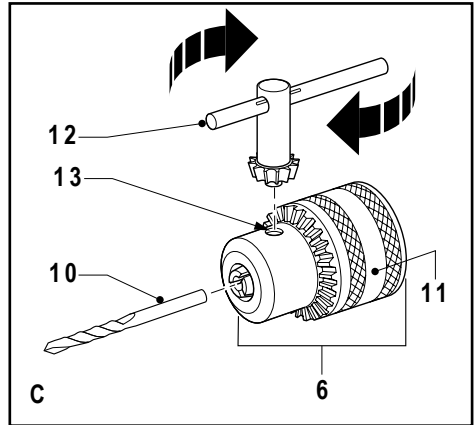
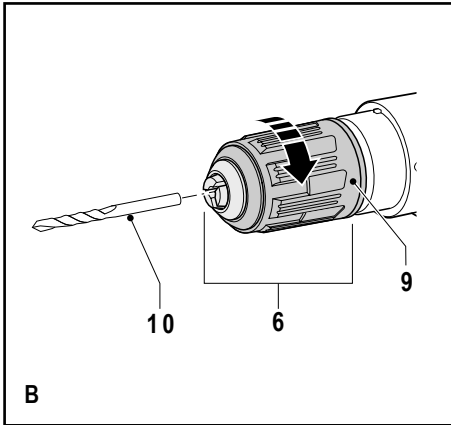
KR805

KR806

KR1001

www.blackanddecker.ae





Intended use

Your Black & Decker impact drill has been designed for drilling in wood, metal, plastics, and masonry as well as for screwdriving purposes. This tool is intended for consumer use only.

Safety instructions

General power tool safety warnings



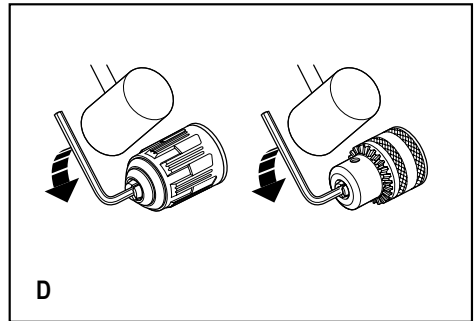
Warning! Read all safety warnings and all instructions. Failure to follow the warnings and instructions listed below may result in electric shock, fire and/or serious injury.

Save all warnings and instructions for future reference.

The term "power tool" in the warnings refers to your mains operated (corded) power tool or battery operated (cordless) power tool.

1. Work area safety

- a. Keep work area clean and well lit. Cluttered or dark areas invite accidents.
- b. Do not operate power tools in explosive atmospheres, such as in the presence of flammable liquids, gases or dust. Power tools create sparks which may ignite the dust or fumes.
- c. Keep children and bystanders away while operating a power tool. Distractions can cause you to lose control.



2. Electrical safety

- a. Power tool plugs must match the outlet. Never modify the plug in any way. Do not use any adapter plugs with earthed (grounded) power tools. Unmodified plugs and matching outlets will reduce risk of electric shock.
- b. Avoid body contact with earthed or grounded surfaces such as pipes, radiators, ranges and refrigerators. There is an increased risk of electric shock if your body is earthed or grounded.
- c. Do not expose power tools to rain or wet conditions. Water entering a power tool will increase the risk of electric shock.
- d. Do not abuse the cord. Never use the cord for carrying, pulling or unplugging the power tool. Keep cord away from heat, oil, sharp edges or moving parts. Damaged or entangled cords increase the risk of electric shock.

- e. When operating a power tool outdoors, use an extension cord suitable for outdoor use. Use of a cord suitable for outdoor use reduces the risk of electric shock.
- f. If operating a power tool in a damp location is unavoidable, use a residual current device (RCD) protected supply. Use of an RCD reduces the risk of electric shock.

3. Personal safety

- a. Stay alert, watch what you are doing and use common sense when operating a power tool. Do not use a power tool while you are tired or under the influence of drugs, alcohol or medication. A moment of inattention while operating power tools may result in serious personal injury.
- b. Use personal protective equipment. Always wear eye protection. Protective equipment such as dust mask, non-skid safety shoes, hard hat, or hearing protection used for appropriate conditions will reduce personal injuries.
- c. Prevent unintentional starting. Ensure the switch is in the off-position before connecting to power source and/or battery pack, picking up or carrying the tool. Carrying power tools with your finger on the switch or energising power tools that have the switch on invites accidents.
- d. Remove any adjusting key or wrench before turning the power tool on. A wrench or a key left attached to a rotating part of the power tool may result in personal injury.
- e. Do not overreach. Keep proper footing and balance at all times. This enables better control of the power tool in unexpected situations.
- f. Dress properly. Do not wear loose clothing or jewellery. Keep your hair, clothing and gloves away from moving parts. Loose clothes, jewellery or long hair can be caught in moving parts.
- g. If devices are provided for the connection of dust extraction and collection facilities, ensure these are connected and properly used. Use of dust collection can reduce dust-related hazards.

4. Power tool use and care

- a. Do not force the power tool. Use the correct power tool for your application. The correct power tool will do the job better and safer at the rate for which it was designed.
- b. Do not use the power tool if the switch does not turn it on and off. Any power tool that cannot be controlled with the switch is dangerous and must be repaired.
- c. Disconnect the plug from the power source and/or the battery pack from the power tool before making any adjustments, changing accessories, or storing power tools. Such preventive safety measures reduce the risk of starting the power tool accidentally.
- d. Store idle power tools out of the reach of children and do not allow persons unfamiliar with the power tool or these instructions to operate the power tool. Power tools are dangerous in the hands of untrained users.
- e. Maintain power tools. Check for misalignment or binding of moving parts, breakage of parts and any other condition that may affect the power tools operation. If damaged, have the power tool repaired before use. Many accidents are caused by poorly maintained power tools.
- f. Keep cutting tools sharp and clean. Properly maintained cutting tools with sharp cutting edges are less likely to bind and are easier to control.
- g. Use the power tool, accessories and tool bits etc. in accordance with these instructions, taking into account the working conditions and the work to be performed. Use of the power tool for operations different from those intended could result in a hazardous situation.

5. Service

- a. Have your power tool serviced by a qualified repair person using only identical replacement parts. This will ensure that the safety of the power tool is maintained.

Additional power tool safety warnings



Warning! Additional safety warnings for drills and impact drills

- Wear ear protectors with impact drills. Exposure to noise can cause hearing loss.
- Use auxiliary handles supplied with the tool. Loss of control can cause personal injury.
- Hold power tool by insulated gripping surfaces when performing an operation where the cutting accessory may contact hidden wiring or its own cord. Cutting accessory contacting a "live" wire may make exposed metal parts of the power tool "live" and could give the operator an electric shock
- Never use a chisel accessory in rotary mode. The accessory will bind in the material and rotate the drill.
- Use clamps or another practical way to secure and support the workpiece to a stable platform. Holding the work by hand or against your body leaves it unstable and may lead to loss of control.
- Before drilling into walls, floors or ceilings, check for the location of wiring and pipes.
- Avoid touching the tip of a drill bit just after drilling, as it may be hot.
- The intended use is described in this instruction manual. The use of any accessory or attachment or performance of any operation with this tool other than those recommended in this instruction manual may present a risk of personal injury and/or damage to property.

Safety of others

- This appliance is not intended for use by persons (including children) with reduced physical, sensory or mental capabilities, or lack of experience and knowledge, unless they have been given supervision or instruction concerning use of the appliance by a person responsible for their safety.
- Children should be supervised to ensure that they do not play with the appliance.

Residual risks

Additional residual risks may arise when using the tool which may not be included in the enclosed safety warnings. These risks can arise from misuse, prolonged use etc.

Even with the application of the relevant safety regulations and the implementation of safety devices, certain residual risks can not be avoided. These include:

- Injuries caused by touching any rotating/moving parts.
- Injuries caused when changing any parts, blades or accessories.
- Injuries caused by prolonged use of a tool. When using any tool for prolonged periods ensure you take regular breaks.
- Impairment of hearing.
- Health hazards caused by breathing dust developed when using your tool (example:- working with wood, especially oak, beech and MDF.)

Vibration

The declared vibration emission values stated in the technical data and the declaration of conformity have been measured in accordance with a standard test method provided by EN 60745 and may be used for comparing one tool with another. The declared vibration emission value may also be used in a preliminary assessment of exposure.

Warning! The vibration emission value during actual use of the power tool can differ from the declared value depending on the ways in which the tool is used. The vibration level may increase above the level stated.

When assessing vibration exposure to determine safety measures required by 2002/44/EC to protect persons regularly using power tools in employment, an estimation of vibration exposure should consider, the actual conditions of use and the way the tool is used, including taking account of all parts of the operating cycle such as the times when the tool is switched off and when it is running idle in addition to the trigger time.

Labels on tool

The following pictograms are shown on the tool:



Warning! To reduce the risk of injury, the user must read the instruction manual.

Electrical safety



This tool is double insulated; therefore no earth wire is required. Always check that the power supply corresponds to the voltage on the rating plate.

- If the supply cord is damaged, it must be replaced by the manufacturer or an authorised Black & Decker Service Centre in order to avoid a hazard.

Features

This tool includes some or all of the following features.

1. Variable speed switch
2. Lock-on button
3. Variable speed control knob
4. Forward/reverse switch
5. Drilling mode selector
6. Chuck
7. Depth stop
8. Side handle

Assembly

Warning! Before assembly, make sure that the tool is switched off and unplugged.

Fitting the side handle and depth stop (fig. A)

- Turn the grip counterclockwise until you can slide the side handle (8) onto the front of the tool.
- Rotate the side handle into the desired position.
- Insert the depth stop (7) into the mounting hole as shown.
- Set the drilling depth as described below.
- Tighten the side handle by turning the grip clockwise.

Setting the drilling depth (fig. A)

- Slacken the side handle (8) by turning the grip counterclockwise.
- Set the depth stop (7) to the desired position. The maximum drilling depth is equal to the distance between the tip of the drill bit and the front end of the depth stop.
- Tighten the side handle by turning the grip clockwise.

Fitting an accessory (fig. B & C)

Keyless chuck with spindle lock (Where supplied) (fig. B)

- Open the chuck by turning the sleeve (9) counterclockwise.
- Insert the bit shaft (10) into the chuck.
- Tighten the chuck by turning the sleeve clockwise.

Keyed chuck (Where supplied) (fig. C)

- Open the chuck by turning the sleeve (11) counterclockwise.
- Insert the bit shaft (10) into the chuck.
- Insert the chuck key (12) into each hole (13) in the side of the chuck and turn clockwise until tight.

Removing and refitting the chuck (fig. D)

- Open the chuck as far as possible.
- Remove the chuck retaining screw, located in the chuck, by turning it clockwise using a screwdriver.
- Tighten an Allen key into the chuck and strike it with a hammer as shown.
- Remove the Allen key.
- Remove the chuck by turning it counterclockwise.
- To refit the chuck, screw it onto the spindle and secure it with the chuck retaining screw.

Use

Warning! Let the tool work at its own pace. Do not overload.

Warning! Before drilling into walls, floors or ceilings, check for the location of wiring and pipes.

Selecting the drilling mode

- For hammer drilling in masonry and concrete, set the operating mode selector (5) to the **T** position
- For drilling in steel, wood and plastics, set the operating mode selector (5) to the **2** position

Selecting the direction of rotation

For drilling and tightening screws, use forward (clockwise) rotation. For loosening screws or removing a jammed drill bit, use reverse (counterclockwise) rotation.

- To select forward rotation, push the forward/reverse slider (4) to the left.
- To select reverse rotation, push the forward/reverse slider to the right.

Warning! Never change the direction of rotation while the motor is running.

Switching on and off

- To switch the tool on, press the variable speed switch (1). The tool speed depends on how far you press the switch. If the tool has a variable speed control knob (3), set it to the required speed range. As a general rule, use low speeds for large diameter drill bits and high speeds for smaller diameter drill bits.
- For continuous operation, press the lock-on button (2) and release the variable speed switch. This option is available only at full speed or at any speed preset with the variable speed control knob (3). This option does not work in reverse rotation.
- To switch the tool off, release the variable speed switch. To switch the tool off when in continuous operation, press the variable speed switch once more and release it.

Accessories

The performance of your tool depends on the accessory used. Black & Decker and Piranha accessories are engineered to high quality standards and designed to enhance the performance of your tool. By using these accessories you will get the very best from your tool.

Maintenance

Your Black & Decker corded/cordless appliance/tool has been designed to operate over a long period of time with a minimum of maintenance. Continuous satisfactory operation depends upon proper tool care and regular cleaning.

Warning! Before performing any maintenance on corded/cordless power tools:

- Switch off and unplug the appliance/tool.
- Or switch off and remove the battery from the appliance/tool if the appliance/tool has a separate battery pack.
- Or run the battery down completely if it is integral and then switch off.
- Unplug the charger before cleaning it. Your charger does not require any maintenance apart from regular cleaning.
- Regularly clean the ventilation slots in your appliance/tool/charger using a soft brush or dry cloth.
- Regularly clean the motor housing using a damp cloth. Do not use any abrasive or solvent-based cleaner.
- Regularly open the chuck and tap it to remove any dust from the interior (when fitted).

Mains plug replacement (U.K. & Ireland only)

If a new mains plug needs to be fitted:

- Safely dispose of the old plug.
- Connect the brown lead to the live terminal in the new plug.
- Connect the blue lead to the neutral terminal.

Warning! No connection is to be made to the earth terminal. Follow the fitting instructions supplied with good quality plugs. Recommended fuse: 5 A.

Protecting the environment



Separate collection. This product must not be disposed of with normal household waste.

Should you find one day that your Black & Decker product needs replacement, or if it is of no further use to you, do not dispose of it with household waste. Make this product available for separate collection.



Separate collection of used products and packaging allows materials to be recycled and used again.

Reuse of recycled materials helps prevent environmental pollution and reduces the demand for raw materials.

Local regulations may provide for separate collection of electrical products from the household, at municipal waste sites or by the retailer when you purchase a new product.

Black & Decker provides a facility for the collection and recycling of Black & Decker products once they have reached the end of their working life. To take advantage of this service please return your product to any authorised repair agent who will collect them on our behalf.

You can check the location of your nearest authorised repair agent by contacting your local Black & Decker office at the address indicated in this manual. Alternatively, a list of authorised Black & Decker repair agents and full details of our after-sales service and contacts are available on the Internet at: www.2helpU.com.

Technical data

		KR705 (Type 1)	KR805 (Type 1)
Input voltage	V_{ac}	220-240	220-240
Power input	W	750	800
No load speed	min^{-1}	0-3100	0-3100
Impact rate	min^{-1}	52,700	52,700
Frequency	Hz	50-60	50-60
Max drilling capacity			
Concrete	mm	16	16
Steel	mm	13	13
Wood	mm	32	32
Weight	kg	1.8	1.8

		KR806 TYPE 1	KR1001 TYPE 1
Input voltage	V_{ac}	220-240	220-240
Power input	W	850	1000
No load speed	min^{-1}	0-3100	0-3100
Impact rate	min^{-1}	52,700	52,700
Frequency	Hz	50-60	50-60
Max drilling capacity			
Concrete	mm	16	16
Steel	mm	13	13
Wood	mm	32	32
Weight	kg	2.0	2.3

Level of sound pressure according to EN 60745:

Sound pressure (L_{pA}) 100 dB(A), uncertainty (K) 3 dB(A)

Sound power (L_{WA}) 111 dB(A), uncertainty (K) 3 dB(A)

Vibration total values (triax vector sum)
according to EN 60745:

Impact drilling into concrete ($a_{h, ID}$) 13.5 m/s^2 ,
uncertainty (K) 1.5 m/s^2

Drilling into metal ($a_{h, D}$) 4.3 m/s^2 ,
uncertainty (K) 1.5 m/s^2

EC declaration of conformity

MACHINERY DIRECTIVE

**KR705, KR805, KR806, KR1001**

Black & Decker declares that these products described under "technical data" are in compliance with:

2006/42/EC, EN 60745-1, EN 60745-2-1

For more information, please contact Black & Decker at the following address or refer to the back of the manual.

The undersigned is responsible for compilation of the technical file and makes this declaration on behalf of Black & Decker.

Kevin Hewitt
 Vice-President Global Engineering
 Black & Decker Europe, 210 Bath Road, Slough,
 Berkshire, SL1 3YD
 United Kingdom
 11/05/2011

Guarantee

Black & Decker is confident of the quality of its products and offers an outstanding guarantee. This guarantee statement is in addition to and in no way prejudices your statutory rights. The guarantee is valid within the territories of the Member States of the European Union and the European Free Trade Area.

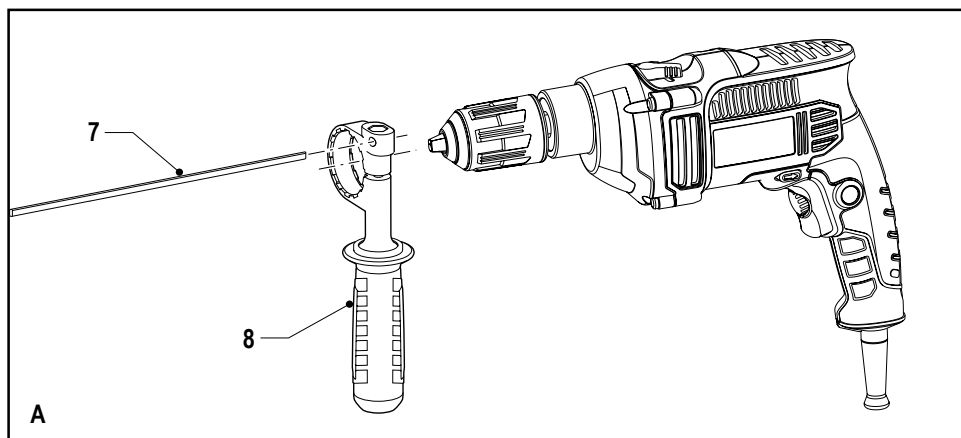
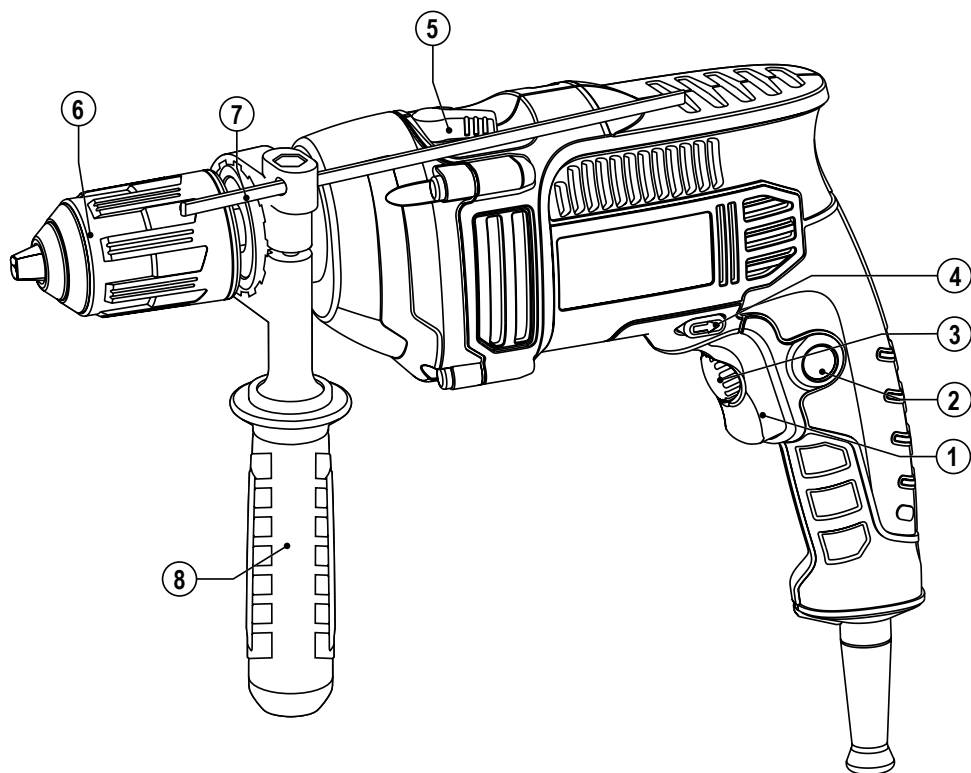
If a Black & Decker product becomes defective due to faulty materials, workmanship or lack of conformity, within 24 months from the date of purchase, Black & Decker guarantees to replace defective parts, repair products subjected to fair wear and tear or replace such products to make sure of the minimum inconvenience to the customer unless:

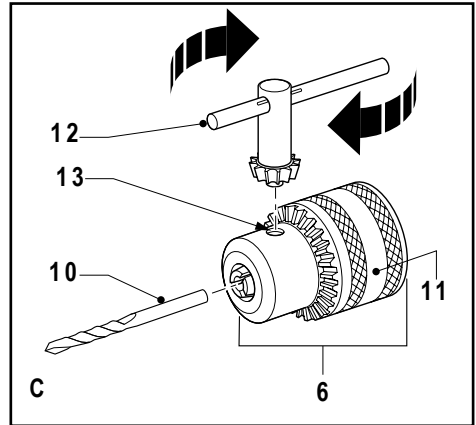
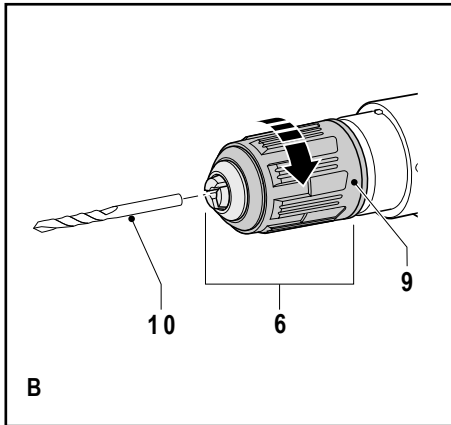
- The product has been used for trade, professional or hire purposes.
- The product has been subjected to misuse or neglect.
- The product has sustained damage through foreign objects, substances or accidents.
- Repairs have been attempted by persons other than authorised repair agents or Black & Decker service staff.

To claim on the guarantee, you will need to submit proof of purchase to the seller or an authorised repair agent. You can check the location of your nearest authorised repair agent by contacting your local Black & Decker office at the address indicated in this manual. Alternatively, a list of authorised Black & Decker repair agents and full details of our aftersales service and contacts are available on the Internet at:

www.2helpU.com

Please visit our website **www.blackanddecker.co.uk** to register your new Black & Decker product and to be kept up to date on new products and special offers. Further information on the Black & Decker brand and our range of products is available at **www.blackanddecker.co.uk**.





Utilisation

Votre perceuse à percussion Black & Decker peut visser et percer le bois, le métal, le plastique et la pierre. Cet outil est destiné à une utilisation exclusivement domestique.

Consignes de sécurité

Consignes de sécurité concernant les outils électroportatifs



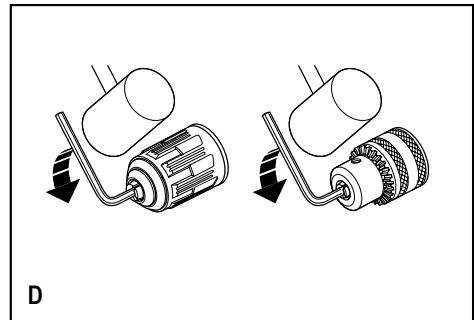
Attention ! Lisez avec attention tous les avertissements et toutes les instructions. Le non-respect de cette consigne peut entraîner une électrocution, un incendie et/ou de graves blessures.

Conservez tous les avertissements et instructions pour référence ultérieure.

La notion « d'outil électroportatif » mentionnée dans les consignes de sécurité se rapporte à des outils électriques raccordés au secteur (avec câble de raccordement) ou fonctionnant sur piles ou batterie (sans fil).

1. Sécurité de la zone de travail

- Maintenez la zone de travail propre et bien éclairée. Un lieu de travail en désordre ou mal éclairé augmente le risque d'accidents.
- N'utilisez pas les outils électroportatifs dans un environnement présentant des risques d'explosion ni en présence de liquides, gaz ou poussières inflammables. Les outils électroportatifs génèrent des étincelles risquant d'enflammer les poussières ou les vapeurs.



- Pendant l'utilisation d'un outil électroportatif, les enfants et autres personnes doivent rester éloignés. En cas d'inattention, vous risquez de perdre le contrôle de l'outil.

2. Sécurité électrique

- La prise de l'outil électroportatif doit être compatible avec la prise d'alimentation. Ne modifiez en aucun cas la prise. N'utilisez pas de prises d'adaptateur avec des appareils ayant une prise de terre. Le respect de ces consignes réduit le risque de choc électrique.
- Évitez le contact physique avec des surfaces mises à la terre telles que tuyaux, radiateurs, fours et réfrigérateurs. Le risque de choc électrique augmente si votre corps est relié à la terre.
- N'exposez pas l'outil électroportatif à la pluie ou à l'humidité. La pénétration d'eau dans un outil électroportatif augmente le risque de choc électrique.

- d. Préservez le câble d'alimentation. N'utilisez pas le câble pour porter l'outil, pour l'accrocher. Ne le tirez pas pour le débrancher. Maintenez le câble éloigné des sources de chaleurs, des parties huilées, des bords tranchants ou des pièces en rotation. Le risque de choc électrique augmente si les câbles sont endommagés ou emmêlés.
- e. Si vous utilisez l'outil électroportatif à l'extérieur, utilisez une rallonge homologuée pour une utilisation à l'extérieur. L'utilisation d'une rallonge électrique homologuée pour les travaux à l'extérieur réduit le risque de choc électrique.
- f. Si l'outil doit être utilisé dans un endroit humide, prenez les précautions nécessaires en utilisant un dispositif à courant résiduel (RCD). L'utilisation d'un tel dispositif réduit les risques d'électrocution.

3. Sécurité personnelle

- a. Restez vigilant, surveillez ce que vous faites. Faites preuve de bon sens quand vous utilisez un outil électroportatif. N'utilisez pas l'outil lorsque vous êtes fatigué ou après avoir consommé de l'alcool ainsi que des médicaments. Un moment d'inattention en utilisant l'outil peut entraîner de graves blessures.
- b. Portez un équipement de protection. Portez toujours des lunettes de protection. Selon le travail à effectuer, le port d'équipement de protection tels que masque anti-poussières, chaussures de sécurité antidérapantes, casque ou protection auditive, réduit le risque de blessures.
- c. Évitez un démarrage imprévu. L'appareil doit être en position OFF (arrêt) avant d'effectuer le branchement à l'alimentation et/ou au bloc-batterie, de le ramasser ou de le porter. Ne laissez pas votre doigt sur le bouton de commande en le transportant. N'alimentez pas l'outil si le bouton est activé. Ceci pourrait être à l'origine d'accident.
- d. Retirez les outils ou clés de réglage avant de mettre l'outil en marche. Une clé ou un outil se trouvant sur une partie en rotation peut causer des blessures.
- e. Adoptez une position confortable. Adoptez une position stable et gardez votre équilibre en permanence. Vous contrôlerez ainsi mieux l'outil dans des situations inattendues.
- f. Portez des vêtements appropriés. Ne portez pas de

vêtements amples ou de bijoux. N'approchez pas les cheveux, vêtements ou gants des parties des pièces mobiles. Les vêtements amples, les bijoux ou les cheveux longs peuvent s'accrocher dans les pièces en mouvement.

- g. En cas d'utilisation d'appareils servant à aspirer ou à recueillir les poussières, assurez-vous qu'ils sont correctement raccordés et utilisés. L'utilisation de tels dispositifs réduit les dangers dus aux poussières.

4. Utilisation des outils électroportatifs et précautions

- a. Respectez la capacité de l'outil. Utilisez l'outil électroportatif approprié pour le travail à effectuer. Avec un outil approprié, vous travaillerez mieux et en toute sécurité.
- b. N'utilisez pas un outil électroportatif dont le bouton marche/arrêt est défectueux. Un outil électroportatif qui ne répond pas à la commande marche/arrêt est dangereux et doit être réparé.
- c. Retirez la prise de courant et/ou débranchez le bloc-batterie avant d'effectuer des réglages, de changer les accessoires ou de ranger l'outil. Cette mesure de précaution empêche de mettre l'outil en marche accidentellement.
- d. Rangez les outils électroportatifs hors de portée des enfants. Les personnes ne connaissant pas l'outil ou n'ayant pas lu ces instructions ne doivent en aucun cas l'utiliser. Les outils électroportatifs sont dangereux lorsqu'ils sont utilisés par des personnes non initiées.
- e. Entretenez les outils électroportatifs. Vérifiez que les parties en mouvement fonctionnent correctement et qu'elles ne sont pas coincées. Vérifiez qu'il n'y a pas de pièces cassées ou endommagées susceptibles de nuire au bon fonctionnement de l'outil. S'il est endommagé, faites réparer l'outil avant de l'utiliser. De nombreux accidents sont la conséquence d'outils mal entretenus.
- f. Les outils de coupe doivent toujours être aiguisés et propres. Des outils soigneusement entretenus avec des bords tranchants bien aiguisés se coincent moins souvent et peuvent être guidés plus facilement.
- g. Utilisez les outils électroportatifs, les accessoires, etc., en suivant ces instructions et en tenant compte des conditions de travail, ainsi que du travail à effectuer. L'utilisation des outils électroportatifs à d'autres fins que celles prévues peut vous mettre en situation dangereuse.

5. Réparations

- a. Faites réparer votre outil électroportatif uniquement par du personnel qualifié et seulement avec des pièces de rechange appropriées. Cela garantira le maintien de la sécurité de votre outil.

Consignes de sécurité supplémentaires concernant les outils électroportatifs



Attention ! Prendre encore plus de précautions pour les perceuses et les perceuses à percussion.

- Portez un serre-tête antibruit si vous utilisez une perceuse percussion. L'exposition au bruit peut entraîner la perte de l'ouïe.
- Utilisez les poignées auxiliaires livrées avec l'outil. La perte de contrôle peut entraîner des blessures.
- Tenez l'outil au niveau des surfaces de prise isolées. Ceci permet d'éviter les accidents en cas de contact de l'accessoire de coupe avec des fils cachés ou son propre câble. En touchant un fil sous tension, la charge électrique passe dans les parties métalliques de l'outil électroportatif et il y a risque de choc électrique.
- N'utilisez jamais un burin en mode rotatif. L'accessoire peut se tordre à l'intérieur du matériel et faire tourner le foret.
- Utilisez des pinces ou autres pour fixer et soutenir la pièce de manière stable. Si vous la tenez à la main ou contre votre corps, elle ne sera pas stable et vous pouvez en perdre le contrôle.
- Avant de percer les murs, les planchers ou les plafonds, vérifiez l'emplacement des câblages et des tuyaux.
- Évitez de toucher le bout d'un foret juste après avoir percé. Il peut être chaud.
- Les consignes d'utilisation sont données dans ce manuel d'instructions. L'utilisation d'un accessoire ou d'une fixation, ou bien l'utilisation de cet outil à d'autres fins que celles recommandées dans ce manuel d'instructions peut entraîner des blessures et/ou des dommages matériels.

Sécurité des personnes

- Cet outil ne doit pas être utilisé par des personnes (y compris les enfants) ayant des déficiences physiques,

mentales ou sensorielles. Cette consigne s'applique aussi aux personnes manquant d'expérience et de connaissance du matériel, à moins que celles-ci n'aient reçu les instructions appropriées ou qu'elles ne soient encadrées par une personne responsable de leur sécurité pour utiliser l'outil.

- Ne laissez jamais les enfants sans surveillance pour éviter qu'ils ne jouent avec cet outil.

Risques résiduels

L'utilisation d'un outil non mentionné dans les consignes de sécurité données peut entraîner des risques résiduels supplémentaires. Ces risques peuvent survenir si l'outil est mal utilisé, si l'utilisation est prolongée, etc.

Malgré l'application des normes de sécurité correspondantes et la présence de dispositifs de sécurité, les risques résiduels suivants ne peuvent être évités. Ceci comprend :

- Les blessures dues au contact avec une pièce mobile/en rotation.
- Les blessures causées en changeant des pièces, lames ou accessoires.
- Les blessures dues à l'utilisation prolongée d'un outil. Une utilisation prolongée de l'outil nécessite des pauses régulières.
- Déficience auditive.
- Risques pour la santé causés par l'inhalation de poussières produites pendant l'utilisation de l'outil (exemple : travail avec du bois, surtout le chêne, le hêtre et les panneaux en MDF).

Vibration

La valeur des émissions de vibration déclarée dans la section Déclaration/Données techniques de conformité a été mesurée selon une méthode d'essai standard fournie par la norme EN 60745 et peut être utilisée pour comparer un outil à un autre. Elle peut aussi être utilisée pour une évaluation préliminaire à l'exposition.

Attention ! Selon la manière dont l'outil est utilisé, la valeur des émissions de vibration pendant l'utilisation de l'outil peut être différente de la valeur déclarée. Le niveau de vibration peut augmenter au-dessus du niveau établi.

Quand l'exposition aux vibrations est évaluée afin de déterminer les mesures de sécurité requises par la norme 2002/44/CE pour protéger les personnes utilisant régulièrement des outils électroportatifs, il faut tenir compte d'une estimation de l'exposition aux vibrations, des conditions actuelles d'utilisation et de la manière dont l'outil est utilisé. Il faut aussi tenir compte de toutes les pièces du cycle de fonctionnement comme la durée pendant laquelle l'outil est arrêté et quand il fonctionne au ralenti, ainsi que la durée du déclenchement.

Étiquettes de l'outil

Les pictogrammes ci-dessous se trouvent sur l'appareil :



Attention ! Pour réduire le risque de blessures, l'utilisateur doit lire le manuel d'instructions.

Sécurité électrique



Cet outil est doublement isolé. Par conséquent, aucun câble de mise à la terre n'est nécessaire.

Vérifiez si l'alimentation mentionnée sur la plaque signalétique de l'outil correspond bien à la tension présente sur le lieu.

- Si le câble d'alimentation est endommagé, il doit être remplacé par le fabricant ou par un Centre de réparation Black & Decker agréé pour éviter tout danger.

Caractéristiques

Cet appareil comprend certains, ou tous, les éléments suivants.

1. Sélecteur de vitesse
2. Bouton de verrouillage
3. Bouton de commande de variation de vitesse
4. Bouton de commande avant/arrière
5. Sélecteur de mode de perçage
6. Mandrin
7. Butée de profondeur
8. Poignée latérale

Assemblage

Attention ! Avant l'assemblage, assurez-vous que l'outil est éteint et débranché.

Installation de la poignée latérale et de la butée de profondeur (figure A)

- Tournez le manche dans le sens inverse des aiguilles d'une montre jusqu'à ce que la poignée latérale (8) puisse glisser sur l'avant de l'outil.
- Tournez la poignée latérale dans la position désirée.
- Insérez la butée de profondeur (7) dans l'orifice de montage, comme indiqué.
- Ajustez la profondeur de perçage comme décrit ci-dessous.
- Serrez la poignée latérale en tournant le manche dans le sens des aiguilles d'une montre.

Réglage de la profondeur de perçage (figure A)

- Relâchez la poignée latérale (8) en tournant le manche dans le sens inverse des aiguilles d'une montre.
- Réglez la butée de profondeur (7) à la position désirée. La profondeur de perçage maximale est égale à la distance entre le bout du foret et l'extrémité avant de la butée de profondeur.
- Serrez la poignée latérale en tournant le manche dans le sens des aiguilles d'une montre.

Installation d'un accessoire (figure B et C)

Mandrin auto-serrant avec l'axe de verrouillage (le cas échéant) (figure B)

- Ouvrez le mandrin en tournant le manchon (9) dans le sens inverse des aiguilles d'une montre.
- Insérez la tige du foret (10) dans le mandrin.
- Serrez le mandrin en tournant le manchon dans le sens inverse des aiguilles d'une montre.

Mandrin à clé (le cas échéant) (figure C)

- Ouvrez le mandrin en tournant le manchon (11) dans le sens inverse des aiguilles d'une montre.
- Insérez la tige du foret (10) dans le mandrin.
- Insérez la clé du mandrin (12) dans chaque trou (13) sur le côté du mandrin et tournez dans le sens des aiguilles d'une montre pour serrer.

Retrait et réinstallation du mandrin (figure D)

- Ouvrez le mandrin le plus possible.
- Retirez la vis de fixation à l'intérieur du mandrin en la tournant dans le sens des aiguilles d'une montre avec un tournevis.
- Serrez une clé Allen dans le mandrin. Terminez le serrage en tapant avec un marteau, comme indiqué.
- Retirez la clé Allen.
- Retirez le mandrin en le tournant dans le sens inverse des aiguilles d'une montre.
- Pour remplacer le mandrin, vissez-le sur l'axe et utilisez la vis de fixation pour le serrer.

Utilisation

Attention ! Laissez l'outil fonctionner à sa propre vitesse. Ne le poussez pas au-delà de sa limite.

Attention ! Avant de percer les murs, les planchers ou les plafonds, vérifiez l'emplacement des câblages et des tuyaux.

Sélection du mode de perçage

- Pour percer de la pierre et du béton, réglez le sélecteur de mode de fonctionnement (5) en **T** position s .
- Pour percer dans l'acier, le bois et le plastique, réglez le sélecteur de mode (5) en **1** position r .

Sélection du sens de rotation

Pour percer et pour serrer les vis, utilisez la rotation dans le sens des aiguilles d'une montre. Pour desserrer les vis ou retirer un foret bloqué, utilisez la rotation dans le sens inverse des aiguilles d'une montre.

- Pour sélectionner la rotation dans le sens des aiguilles d'une montre, poussez le bouton de commande avant/arrière (4) vers la gauche.

- Pour sélectionner la rotation dans le sens inverse des aiguilles d'une montre, poussez le bouton de commande avant/arrière vers la droite.

Attention ! Ne changez jamais le sens de rotation quand le moteur tourne.

Mise en marche et arrêt

- Pour mettre l'outil en marche, appuyez sur le sélecteur de vitesse (1). La vitesse de l'outil dépend de la pression sur le bouton. Si l'outil possède un bouton de commande de variation de vitesse (3), sélectionnez la vitesse désirée. Normalement, les vitesses lentes correspondent aux forets à large diamètre et les vitesses rapides aux forets de faible diamètre.
- En mode continu, appuyez sur le bouton de verrouillage (2) et relâchez le sélecteur de vitesse. Cette option est disponible uniquement à la vitesse max. ou à n'importe quelle vitesse pré-réglée avec le bouton de commande de sélection de vitesse (3). Cette option ne fonctionne pas en rotation inverse.
- Pour arrêter l'outil, relâchez le sélecteur de vitesse. Pour arrêter l'outil quand celui-ci est en mode continu, appuyez de nouveau sur le sélecteur, puis relâchez-le.

Accessoires

La qualité de travail réalisé par votre outil dépend des accessoires utilisés. Les accessoires Black & Decker et Piranha correspondent aux normes de qualité supérieure et sont conçus pour donner le meilleur résultat possible. En utilisant ces accessoires, votre outil vous donnera entière satisfaction.

Entretien

Votre appareil/outil sans fil/avec fil Black & Decker a été conçu pour fonctionner pendant longtemps avec un minimum d'entretien. Un fonctionnement continu satisfaisant dépend d'un nettoyage régulier et d'un entretien approprié de l'outil.

Attention ! À ne pas oublier avant l'entretien des appareils électriques sans fil/avec fil :

- Arrêtez l'appareil/outil, puis débranchez-le.
- Ou, arrêtez l'appareil et retirez la batterie de l'appareil/outil si celui-ci est muni d'un bloc-batterie séparé.

- Ou bien déchargez complètement la batterie si elle est intégrée au système, puis arrêtez l'appareil (position Off).
- Débranchez le chargeur avant de le nettoyer. Aucun entretien particulier n'est nécessaire pour le chargeur en dehors du nettoyage régulier.
- Nettoyez régulièrement les orifices de ventilation de votre appareil/outil/chargeur à l'aide d'une brosse souple ou d'un chiffon sec.
- Nettoyez régulièrement le compartiment du moteur à l'aide d'un chiffon humide. N'utilisez pas de produit abrasif ou à base de solvant.
- Ouvrez régulièrement le mandrin et retirez la poussière à l'intérieur en le tapant (si installé).

Protection de l'environnement



Recyclage. Cet appareil ne doit pas être jeté avec les déchets ménagers.

Si votre appareil Black & Decker doit être remplacé ou si vous n'en avez plus l'usage, ne le jetez pas avec les ordures ménagères. Songez à la protection de l'environnement et recyclez-les.



La collecte séparée des produits et des emballages usagés permet de recycler et de réutiliser des matériaux. La réutilisation de matériaux recyclés évite la pollution de

l'environnement et réduit la demande de matières premières.

Des réglementations locales peuvent stipuler la collecte séparée des produits électriques et des produits ménagers, dans des déchetteries municipales ou par le revendeur lorsque vous achetez un nouveau produit.

Black & Decker offre une solution permettant de recycler les produits Black & Decker lorsqu'ils ont atteint la fin de leur cycle de vie. Pour pouvoir profiter de ce service, veuillez retourner votre produit à un réparateur agréé qui se chargera de le collecter pour nous.

Pour connaître l'adresse du réparateur agréé le plus proche de chez vous, contactez le bureau Black & Decker à l'adresse indiquée dans ce manuel. Vous pourrez aussi trouver une liste de réparateurs agréés de Black & Decker et de plus amples détails sur notre service après-vente sur le site Internet à l'adresse suivante : www.2helpU.com.

Caractéristiques techniques

	KR705 (Type 1)	KR805 (Type 1)
Tension d'entrée	V_{AC} 220-240	220-240
Puissance	W 750	800
Aucune vitesse de charge	min^{-1} 0-3100	0-3100
Résistance au choc	min^{-1} 52,700	52,700
Fréquence	Hz 50-60	50-60
Capacité max de perçage		
Béton	mm 16	16
Acier	mm 13	13
Bois	mm 32	32
Poids	kg 1.8	1.8

	KR806 TYPE 1	KR1001 TYPE 1
Tension d'entrée	V_{AC} 220-240	220-240
Puissance	W 850	1000
Aucune vitesse de charge	min^{-1} 0-3100	0-3100
Résistance au choc	min^{-1} 52,700	52,700
Fréquence	Hz 50-60	50-60
Capacité max de perçage		
Béton	mm 16	16
Acier	mm 13	13
Bois	mm 32	32
Poids	kg 2,0	2,3

Niveau de pression sonore selon la norme EN 60745 :
 Pression sonore (L_{pA}) 100 dB(A), incertitude (K) 3 dB(A)
 Puissance sonore (L_{WA}) 111 dB(A), incertitude (K) 3 dB(A)

Valeurs totales des vibrations (somme vectorielle triaxiale)
 selon la norme EN 60745

Perçage à percussion, béton ($a_{h,ip}$) 13,5 m/s^2 ,
 incertitude (K) 1,5 m/s^2

Perçage, métal ($a_{h,D}$) 4,3 m/s^2 ,
 incertitude (K) 1,5 m/s^2

Déclaration de conformité CE

DIRECTIVES DE MACHINERIE

**KR705, KR805, KR806, KR1001**

Black & Decker déclare que les produits décrits sur la fiche technique sont conformes à la norme :
2006/42/EC, EN60745-1, EN60745-2-1

Pour plus de renseignements, veuillez contacter Black & Decker à l'adresse suivante ou reportez-vous au dos du manuel.

Le soussigné est responsable des données de la fiche technique et fait cette déclaration au nom de Black & Decker

Kevin Hewitt
Vice-President Global Engineering
Black & Decker Europe, 210 Bath Road, Slough,
Berkshire, SL1 3YD
Royaume-Uni
11/05/2011

Garantie

Black & Decker vous assure la qualité de ses produits et vous offre une garantie très étendue.

Ce certificat de garantie est un document supplémentaire et ne peut en aucun cas se substituer à vos droits légaux.

La garantie est valable sur tout le territoire des États Membres de l'Union Européenne et de la Zone de Libre Échange Européenne.

Si un produit Black & Decker s'avère défectueux en raison de matériaux en mauvais état, d'une erreur humaine, ou d'un manque de conformité dans les 24 mois suivant la date d'achat, Black & Decker garantit le remplacement des pièces défectueuses, la réparation des produits usés ou cassés ou remplace ces produits à la convenance du client, sauf dans les circonstances suivantes :

- Le produit a été utilisé dans un but commercial, professionnel, ou a été loué.
- Le produit a été mal utilisé ou avec négligence.
- Le produit a subi des dommages à cause de corps étrangers, de substances ou d'accidents.
- Des réparations ont été tentées par des techniciens ne faisant pas partie du service technique de Black & Decker.

Pour avoir recours à la garantie, il est nécessaire de fournir une preuve d'achat au vendeur ou à un réparateur agréé.

Pour connaître l'adresse du réparateur agréé le plus proche de chez vous, contactez le bureau Black & Decker à l'adresse indiquée dans ce manuel. Vous pourrez aussi trouver une liste de réparateurs agréés de Black & Decker et de plus amples détails sur notre service après-vente sur le site Internet à l'adresse suivante : **www.2helpU.com**

Visitez notre site Web www.blackanddecker.eu pour enregistrer votre nouveau produit Black & Decker et être informé des nouveaux produits et des offres spéciales. Pour plus d'informations concernant la marque Black & Decker et notre gamme de produits, consultez notre site **www.blackanddecker.eu**.

الضمان

تتفق بلاك أند ديكر بجودة منتجاتها وتقدم ضماناً مميزاً. ويكون بيان الضمان هذا بالإضافة ولا يخل بأي حال من الأحوال بالحقوق القانونية. ويسري هذا الضمان داخل إقليم الدول الأعضاء في الإتحاد الأوروبي ومنطقة التجارة الحرة الأوروبية.

إذا أصبح منتج بلاك أند ديكر معيباً بسبب عيوب المواد والصناعة وعدم المطابقة، تضمن بلاك أند ديكر في غضون 24 شهراً من تاريخ الشراء استبدال الأجزاء المعيبة وإصلاح المنتجات مع مراعاة البلي بالاستخدام العادي أو استبدال هذه المنتجات للتأكد من رضا العملاء ما لم:

- تم استخدام المنتج لأغراض تجارية أو مهنية أو للتأجير.
- إهمال أو إساءة استخدام المنتج.
- تعرض المنتج لتلف بسبب مواد أو أغراض غريبة أو الحوادث.
- محاولة إجراء عمليات الإصلاح من قبل الأشخاص الآخرين بخلاف وكلاء الإصلاح المصرح بهم أو فريق الخدمة التابع لبلاك أند ديكر.

للمطالبة بالضمان، يجب تقديم إثبات الشراء للبائع أو وكيل البيع المعتمد. ويمكنك معرفة مكان أقرب وكيل إصلاح معتمد بمراجعة مكتب بلاك أند ديكر المحلي في العنوان المشار إليه في الدليل. كما تتوفر قائمة بوكلاء الإصلاح المعتمدين لدى بلاك أند ديكر وبيانات خدمات ما بعد البيع والاتصال على الموقع الإلكتروني: www.2helpU.com

يرجى مراجعة موقعنا الإلكتروني www.blackanddecker.co.uk لتسجيل منتجك الجديد من بلاك أند ديكر ولمعرفة أحدث المنتجات والعروض الخاصة. وللحصول على المزيد من المعلومات حول علامة بلاك أند ديكر ومنتجاتنا، يرجى زيارة www.blackanddecker.co.uk

إقرار التوافق

توجيه الإتحاد الأوروبي للمكينات



KR705, KR805, KR806, KR1001

تقر بلاك أند ديكر بتوافق هذه المنتجات الوارد بيانها في "البيانات الفنية" مع المعايير

EC/2006/42

EN60745-1, EN60745-2-1

المزيد من المعلومات، يرجى الاتصال ببلاك أند ديكر على العنوان التالي أو الوارد في نهاية الدليل.

يتحمل الموقع أذناه المسؤولية عن جمع الملف الفني وتقديم هذا الإقرار نيابة عن بلاك أند ديكر.

كيفن هيويت

نائب الرئيس - الهندسة العالمية

بلاك أند ديكر أوروبا، 210 باث رود، سلو

بيركشاير، SL1 3YD

المملكة المتحدة

11/05/2011

البيانات الفنية

حماية البيئة

KR805 النوع 1	KR705 النوع 1	
220-240	220-240	جهد المدخل: فولت تيار متردد
800	750	دخل القدرة: وات
0-3100	0-3100	سرعة الدوران دقيقة ¹ -
52.700	52.700	معدل التأخير دقيقة ¹ -
50-60	50-60	التردد هرتز
الحد الأقصى لسعة الحفر:		
16	16	مم الخرسانة
13	13	مم الفولاذ
32	32	مم الخشب
1.8	1.8	كجم الوزن

تجميع منفصل. يجب عدم إلقاء هذا المنتج مع المخلفات المنزلية.



إننا نبين لك في أحد الأيام بأنه يجب تبديل جهاز بلاك أند ديكر الخاص بك أو لم تعد بحاجة لاستخدامه. لا تتخلص منه مع المخلفات المنزلية. وقم بتوفير هذا المنتج للتجميع المنفصل.



يمكن التجميع المنفصل للمنتجات والعبوات المستخدمة من إعادة تدوير المواد واستخدامها مرة أخرى، إذ يساعد إعادة استخدام المواد المعاد تدويرها على منع التلوث البيئي وخفض الطلب على المواد الخام

قد تنص التشريعات المحلية على تجميع منفصل للمنتجات الكهربائية عن المخلفات المنزلية في مواقع مخلفات البلدية أو تاجر التجزئة عند شراء منتج جديد.

توفر بلاك أند ديكر منشأة لتجميع وإعادة تدوير منتجات بلاك أند ديكر عند وصول تلك المنتجات لنهاية عمرها النافع. وللاستفادة من هذه الخدمة، يرجى إعادة المنتج إلى أي وكيل إصلاح معتمد الذي سيقوم بتجميع المنتجات نيابة عنا.

يمكنك معرفة مكان أقرب وكيل إصلاح معتمد بمراجعة مكتب بلاك أند ديكر المحلي في العنوان المشار إليه في الدليل. كما تتوفر قائمة بوكلاء الإصلاح المعتمدين لدى بلاك أند ديكر وبيانات خدمات ما بعد البيع والاتصال على الموقع الإلكتروني: www.2helpU.com.

KR1001 النوع 1	KR806 النوع 1	
220-240	220-240	جهد المدخل: فولت تيار متردد
1000	850	دخل القدرة: وات
0-3100	0-3100	سرعة الدوران دقيقة ¹ -
52.700	52.700	معدل التأخير دقيقة ¹ -
50-60	50-60	التردد هرتز
الحد الأقصى لسعة الحفر:		
16	16	مم الخرسانة
13	13	مم الفولاذ
32	32	مم الخشب
2.3	2.0	كجم الوزن

مستوى ضغط الصوت وفقاً للمعيار EN ٦٠٧٤٥:

ضغط الصوت: ١٠٠ (L_{PA}) ديسيبل A، نسبة عدم اليقين (K) ٣ ديسيبل A

قوة الصوت: ١١١ (L_{WA}) ديسيبل A، نسبة عدم اليقين (K) ٣ ديسيبل A

إجمالي قيم الاهتزاز وفقاً للمعيار EN ٦٠٧٤٥:

ثقب الخرسانة (a_{h, ID}) = ١٣,٥ م/ث^٢

نسبة عدم اليقين (K) = ١,٥ م/ث^٢

ثقب المعادن (a_{h, ID}) = ٤,٣ م/ث^٢

نسبة عدم اليقين (K) = ١,٥ م/ث^٢

تحديد اتجاه الدوران

- قم بإيقاف الأداة وفصلها عن مصدر الكهرباء.
- أو قم بإيقاف الأداة وانزع البطارية منها إذا كانت الاداة مزودة ببطارية مستقلة.
- أو قم باستهلاك البطارية بالكامل إذا كانت غير قابلة للفصل ثم قم بإيقاف الأداة.
- تأكد من فصل الشاحن عن مصدر الكهرباء قبل تنظيفه. لا يتطلب الشاحن أي صيانة بخلاف التنظيف بصورة منتظمة.
- نظف منافذ التهوية الموجودة في الجهاز دورياً باستخدام فرشاة ناعمة أو قطعة قماش جافة.
- نظف مبيت المحرك دورياً باستخدام قطعة قماش مبللة، ولا تستخدم أي منظف قائم على المذيبات أو أية مادة كاشطة.

- افتح قابض اللقم دورياً وقم بإزالة أية أتربة موجودة بالداخل (عند التركيب).

استبدال قابس التيار الرئيسي
(المملكة المتحدة وأيرلندا فقط)

عند الحاجة لتركيبة قابس تيار رئيسي جديد:

- تخلص من القابس الجديد بأمان.
 - قم بتوصيل السلك البني مع الطرف الموصل بالتيار إلى القابس الجديد.
 - قم بتوصيل السلك الأزرق مع الطرف المحايد.
- تحذير! لا يجب إجراء أي توصيل بالطرف الأرضي. اتبع تعليمات التركيب المقدمة مع القوابس عالية الجودة. الصهيرة الموصى بها: ٥ أمبير.

استخدم الدوران للأمام (في اتجاه عقارب الساعة) للثقب وربط البراغي. وللفك البراغي أو نزع لقم الثقب، استخدم الدوران العكسي (في عكس اتجاه عقارب الساعة).

- لاختيار الدوران للأمام، ادفع زر الاتجاه للأمام/الخلف (٤) نحو اليسار.

- لاختيار الدوران العكسي، ادفع زر الاتجاه للأمام/الخلف (٤) نحو اليمين.

تحذير! يحظر تغيير اتجاه الدوران أثناء حركة المحرك.

تشغيل وإيقاف الأداة

- لتشغيل وإيقاف الأداة، اضغط على مفتاح السرعات المتعددة (١). وتتوقف سرعة الأداء على مقدار مسافة تحريك المفتاح. وإذا كانت الاداة مزودة بمقبض تحكم في السرعة المتعددة (٣)، ما عليك سوى أن تضبطه حسب مدى السرعة المطلوبة. وكقاعدة عامة، استخدم السرعات المنخفضة مع لقم الحفر الكبيرة والسرعات العالية مع لقم الحفر الصغيرة.

- ولوضع التشغيل المستمر، اضغط زر تثبيت السرعة (٢) وحرر مفتاح السرعات المتعددة. مع العلم أن هذا الخيار غير متوفر إلا في حالة السرعة القصوى أو السرعات المحددة باستخدام مقبض تحكم في السرعة المتعددة (٣). كما أن هذا الخيار غير متوفر في حالة الدوران العكسي.

- لإيقاف الأداة، حرر مفتاح السرعات المتعددة. وإيقاف الأداة أثناء وضع التشغيل المستمر، اضغط مفتاح السرعات المتعددة مرة أخرى ثم حرره.

الملحقات

يعتمد أداء الجهاز على نوع الملحقات المستخدمة. وقد تم هندسة ملحقات بلاك أند ديكر وبيرانو وفقاً لمعايير عالية الجودة وتصميمها لتحسين استخدامك للجهاز. وباستخدام هذه الملحقات، ستحقق أكبر استفادة ممكنة من الجهاز.

الصيانة

جهاز بلاك أند ديكر مصمم ليديم لفترة طويلة بأقل قدر من الحاجة للصيانة. حيث يعتمد استمرار الجهاز في أداء عمله على النحو المرضي على العناية المناسبة والتنظيف المنتظم.

تحذير! قبل إجراء أية صيانة للجهاز، قم بإيقاف تشغيله وفصله عن التيار الكهربائي

- في حالة تلف سلك توصيل الكهرباء، يجب استبداله من قبل جهة التصنيع أو أي مركز خدمة معتمد من بلاك أند ديكر لتجنب المخاطر.

المزايا

تحتوي الأداة على جميع أو بعض الخصائص الآتية.

١- مفتاح متعدد السرعات

٢- زر تثبيت السرعة

٣- مقبض تحكم متعدد السرعات

٤- مفتاح الحركة للأمام وللخلف

٥- محدد نمط الثقب

٦- قابض لقم

٧- محدد العمق

٨- مقبض جانبي

التجميع

تحذيراً! تأكد من إيقاف تشغيل الأداة وعدم توصيلها بالكهرباء قبل التجميع.

تركيب المقبض الجانبي ومحدد العمق (الشكل أ)

- قم بلف المقبض عكس اتجاه عقارب الساعة حتى تتمكن من إدخال المقبض الجانبي (٨) بالجزء الأمامي من الأداة.
- قم بتدوير المقبض الجانبي وصولاً إلى الوضع المطلوب.
- أدخل محدد العمق (٧) في فتحة التثبيت كما هو موضح.
- اضبط عمق الثقب كما هو موضح أدناه.
- اربط المقبض الجانبي عن طريق إدارة المقبض في اتجاه عقارب الساعة.

ضبط عمق الثقب (الشكل أ)

- قم بفك المقبض الجانبي (٨) عن طريق إدارة المقبض عكس اتجاه عقارب الساعة.
- ثبت محدد العمق (٧) في الموضع المرغوب، علماً بأن أقصى عمق للثقب هو المسافة بين رأس لقمة الحفر ومقدمة محدد العمق.
- اربط المقبض الجانبي عن طريق إدارة المقبض في اتجاه عقارب الساعة.

تركيب الملحقات (الشكل ب وج)

قابض اللقم الأوتوماتيكي المزود بقلع لعمود الدوران (إن وجد) (الشكل ب)

- افتح قابض اللقم عن طريق إدارة الجلبة (٩) عكس اتجاه عقارب الساعة.

• أدخل عمود اللقمة (١٠) في القابض.

- أحكم ربط قابض اللقم عن طريق إدارة الجلبة في اتجاه عقارب الساعة.

قابض اللقم المزود بالمفاتيح (إن وجد) (الشكل ج)

- افتح قابض اللقم عن طريق إدارة الجلبة (١١) عكس اتجاه عقارب الساعة.

• أدخل عمود اللقمة (١٠) في القابض.

- أدخل مفتاح قابض اللقم (١٢) في كل فتحة (١٣) موجودة بجانب قابض اللقم وأدره في اتجاه عقارب الساعة حتى إحكام الربط

تركيب ونزع قابض اللقم (الشكل ب)

• افتح القابض إلى أقصى حد ممكن.

- انزع مسمار تثبيت القابض الموجود بالقابض نفسه عن طريق لفة في اتجاه عقارب الساعة بواسطة مفك براغي مناسب.

- اربط المفتاح المسدس داخل القابض واطرقه باستخدام مطرقة على النحو الموضح.

• انزع المفتاح المسدس.

- انزع القابض عن طريق لفة عكس اتجاه عقارب الساعة.

- لإعادة تركيب القابض مرة أخرى، ثبت القابض بعمود الدوران وقم بتأمينه بواسطة مسمار تثبيت القابض.

الاستخدام

تحذيراً! دع الأداة تعمل حسب إمكانياتها ولا تزد الحمولة عليها.

تحذيراً! قبل استخدام المثقاب لثقب الجدران أو الأرضيات أو السقف، تحقق من أماكن الأسلاك الكهربائية والمواسير لتتجنبها.

تحديد نمط الثقب

- للثقب المطرقي في حجارة البناء والخرسانة، قم بضبط محدد النمط (٥) إلى وضع (2) .

- لثقب الفولاذ والخشب والبلاستيك، قم بضبط محدد النمط (٥) إلى

وضع (1) .

حتى ومع الالتزام بقواعد السلامة ذات الصلة واستخدام أدوات السلامة قد تنشأ بعض المخاطر التي لا يمكن تجنبها، بما في ذلك:

- الإصابات التي قد تقع بسبب لمس أي من الأجزاء المتحركة أو الدوارة.
- الإصابات التي قد تقع بسبب تغيير أي قطعة أو شفرة أو غيرها من ملحقات الأداة.
- الإصابات التي قد تقع بسبب استخدام الأداة لمدة طويلة دون توقف. لذا احرص على أخذ استراحات منتظمة عند استخدام أداة كهربائية لمدة طويلة.
- ضعف السمع.
- المخاطر الصحية التي قد تقع بسبب استنشاق الغبار المثار عند استخدام الأداة (مثل العمل على الخشب وخاصة البلوط والزان والخشب المضغوط).

الاهتزازات

تم قياس قيم درجات الاهتزاز المبينة في البيانات الفنية وإعلان التوافق وفقاً لطريقة الاختبار الموحدة المنصوص عليها في المعيار الأوروبي رقم **EN 60745** ويجوز استخدامها لمقارنة أداة بأخرى. ويجوز استخدام قيمة درجة الاهتزاز المعلنة في تقييم مبدئي للتعرض.

تحذيراً قد تختلف قيمة درجة الاهتزاز أثناء الاستخدام الفعلي للأداة الكهربائية عن القيمة المعلنة وفقاً لطرق استخدام الأداة، إذ قد يزيد مستوى الاهتزاز عن المستوى المعلن.

عند تقييم مستوى التعرض للاهتزاز لتحديد إجراءات السلامة المشروطة وفقاً للمعيار **EC/44/2002** لحماية الأشخاص الذين يستخدمون الأدوات الكهربائية أثناء العمل، يجب الأخذ في الحسبان ظروف الاستخدام الفعلية وطريقة استخدام الأداة ومن ذلك الأخذ بعين الاعتبار جميع أجزاء الدائرة العاملة مثل مواعيد إيقاف تشغيل الأداة وزمن توقفها وزمن تشغيلها.

الرموز الموجودة على الجهاز

ترد الصور التوضيحية التالية على الجهاز:

تحذيراً! يجب على المستخدم قراءة دليل التعليمات للتقليل من خطر التعرض للإصابة



السلامة الكهربائية

تم تزويد الشاحن بطبقة عزل مزدوجة؛ ولذا لا يتطلب وجود سلك أرضي لتشغيله. تأكد دائماً من أن جهد منفذ الكهرباء الرئيسي متوافق مع الجهد المبين بلوحة التصنيف.



ارتد واقية الأذن عند تنفيذ أعمال الثقب الصدمي، إذ أن التعرض للضوضاء قد يتسبب في فقدان السمع.

- استخدم المقابض الإضافية المزودة مع الجهاز، إذ أن فقدان السيطرة على الجهاز قد يعرضك للإصابة.
- امسك الجهاز بواسطة أسطح معزولة فقط عند العمل بالجهاز حيثما أمكن أن يتلامس ملحق القطع مع الأسلاك المستورة أو الكابل. واعلم بأن قطع الكابلات "التي يسري بها التيار" قد يوصل التيار إلى الأجزاء المعدنية المكشوفة مما قد يعرضك إلى مخاطر الإصابة بالصدمات الكهربائية.
- يحظر استخدام ملحقات الأزميل في وضع الدوران، سيؤدي ذلك إلى انحناء الملحقات واستدارة المثقاب.
- استخدم مشابك أو أي طريقة عملية أخرى لإحكام تثبيت قطع العمل على منصة ثابتة، إذ أن قطعة العمل تكون غير ثابتة عندما تكون محمولة باليد أو مستندة إلى الجسم مما يؤدي إلى فقدان السيطرة عليها.

• تحقق من أماكن الأسلاك والأنابيب قبل ثقب الجدران أو الأرضيات أو السقف.

• لا تلمس طرف لقمة الثقب مباشرة بعد عملية الثقب إذ أنها قد تكون ساخنة.

• يرد بيان غرض الاستخدام في دليل التعليمات هذا، وقد يتسبب استخدام أية ملحقات أو تجهيزات أو تنفيذ أية أعمال باستخدام هذا الجهاز لأغراض غير مبنية في هذا الدليل إلى التعرض لإصابات شخصية و/أو تلف الممتلكات.

سلامة الآخرين

• هذه الآلة غير مصممة ليستخدمها الأشخاص أصحاب القدرات الجسدية الحسية أو العقلية المحدودة أو الخبرة والمعرفة القليلة (بمن فيهم الأطفال)، إلا في ظل الإشراف عليهم أو إعطائهم التعليمات المتعلقة باستخدامها من قبل الشخص المسؤول عن سلامتهم.

• يلزم الإشراف على الأطفال لضمان عدم عبثهم بالجهاز.

المخاطر المتبقية

قد تنشأ مخاطر متبقية أخرى عند استخدام الأداة بخلاف تلك المخاطر المذكورة في هذه التحذيرات. قد تنشأ تلك المخاطر بسبب سوء الاستخدام أو الاستخدام لفترات طويلة وما إلى ذلك.

٥ لا تستخدم سوى كابلات التمديد المناسبة عند الاستخدام الخارجي للجهاز، إذ أن استخدام كابلات التمديد المناسبة يخفف من مخاطر التعرض للصدمة الكهربائية.

و إذا تعذر تجنب تشغيل الجهاز الكهربائي في الأجواء الرطبة، استخدم مفتاح للوقاية من التيار المتخلف، إذ إن استخدام ذلك المفتاح يقلل من خطر التعرض للصدمة الكهربائية.

٣ السلامة الشخصية

أ كن يقظاً وانتبه لما تفعله، وكن حذراً عند تشغيل الجهاز الكهربائي. ولا تستخدم الجهاز الكهربائي عند شعورك بالتعب أو عندما تكون تحت تأثير المخدرات أو الكحول أو الأدوية. إذ قد يؤدي عدم الانتباه للحظة واحدة عند استخدام الجهاز الكهربائي إلى التعرض لإصابة خطيرة.

ب ارتد دائماً نظارات الوقاية ومعدات الحماية الشخصية مثل قناع الوقاية من الغبار وأحذية الأمان الواقية من الانزلاق والخذ أو واقية الأذنين، إذ أن ارتداء المعدات المناسبة يقلل من خطر التعرض للإصابات.

ج احذر التشغيل المفاجئ للجهاز الكهربائي وذلك بالتأكد من غلق الجهاز قبل توصيله بالتيار الكهربائي و/أو حزمة البطارية، وقبل رفعه أو حمله. يؤدي وضع إصبعك على مفتاح التشغيل أثناء حمل الجهاز الكهربائي أو توصيل الجهاز بالشبكة الكهربائية عندما يكون قيد التشغيل إلى وقوع الحوادث.

د انزع عدة الضبط أو مفتاح الربط قبل تشغيل الجهاز الكهربائي، إذ قد تؤدي العدة أو المفتاح المتواجد في جزء دوار من الجهاز إلى الإصابة بجروح.

ه تجنب أوضاع الجسد غير الطبيعية. قف بأمان وحافظ على توازنك في جميع الأوقات مما يمكنك من السيطرة على الجهاز بشكل أفضل في المواقف غير المتوقعة.

و ارتد ثياباً مناسبة، ولا ترتد الثياب الفضفاضة أو الحلي. حافظ على إبعاد الشعر والثياب الفضفاضة والقفازات عن الأجزاء المتحركة، إذ أنها قد تتشابك بالأجزاء المتحركة.

ز إذا تم تجهيز الجهاز بملحقات لشطف وتجميع الغبار، تأكد من أنها متصلة بالجهاز وبأنه يتم استخدامها بالشكل السليم، إذ أن استخدام هذه الملحقات قد يخفف من المخاطر الناتجة عن الغبار.

٤ استخدام الجهاز الكهربائي والعناية به

أ لا تفرط في تحميل الجهاز. استخدم لتنفيذ أشغالك الجهاز المخصص لتنفيذ العمل بشكل أفضل وأكثر أماناً وفقاً لمعدل الأداء المحدد للاستخدام.

ب لا تستخدم الجهاز الكهربائي إذا كان مفتاح تشغيله تالفاً، إذ يمثل الجهاز الكهربائي الذي لا يمكن التحكم به بواسطة مفتاح التشغيل خطورة كبيرة ويجب تصليحه.

ج اسحب القياس من المفبس و/أو انزع البطارية قبل ضبط الجهاز أو استبدال الملحقات أو تخزين الأجهزة الكهربائية. وتمنع احتياطات السلامة الوقائية المذكورة من تشغيل العدة الكهربائية بشكل غير مقصود.

د احتفظ بالأجهزة الكهربائية غير المستخدمة بعيداً عن متناول الأطفال. ولا تسمح بتشغيلها من قبل الأشخاص الذين لا يجيدون استخدامها أو الذين لم يتعلموا على تلك التعليمات، إذ أن الأجهزة الكهربائية قد تشكل خطورة كبيرة إذا تم تشغيلها من قبل أشخاص غير متدربين عليها.

ه حافظ على صيانة الأجهزة الكهربائية وافحصها للتأكد من أن الأجزاء الدوارة تعمل بشكل جيد وبأنه لا يتم عرقلة حركتها ولتعرف على وجود أية كسور فيها أو أي حالة أخرى قد تؤثر على تشغيل الأجهزة. فإذا تبين تلفها، يجب إصلاحها قبل الاستخدام، إذ تقع العديد من الحوادث بسبب الصيانة الرديئة للأجهزة الكهربائية.

و حافظ على إبقاء عُد القطع نظيفة وحادة، إذ تقل احتمالية عرقلة حركة أدوات القطع ذات حواف القطع الحادة والتي يتم صيانتها بالشكل المناسب كما يسهل السيطرة عليها.

ز استخدم الجهاز الكهربائي والملحقات وعُد الشغل وما إلى ذلك وفقاً لهذه التعليمات، مع الأخذ في الحسبان ظروف وطبيعة العمل المقرر تنفيذه. وقد يؤدي استخدام الجهاز الكهربائي لتنفيذ أعمال لم يخصص لأجلها إلى التعرض لحالات خطيرة.

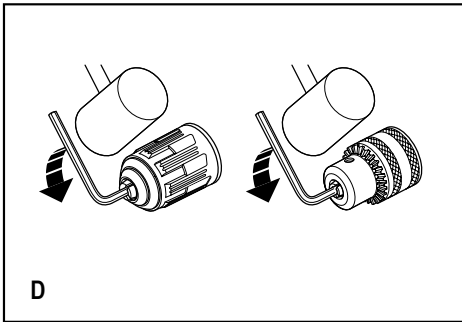
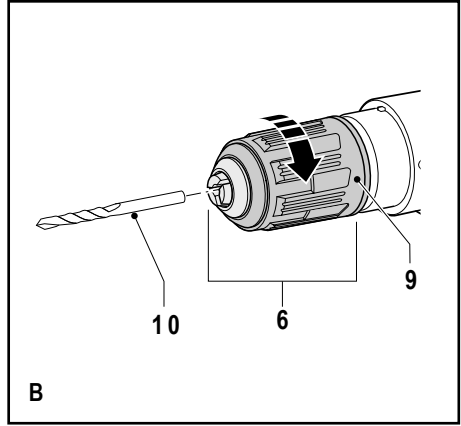
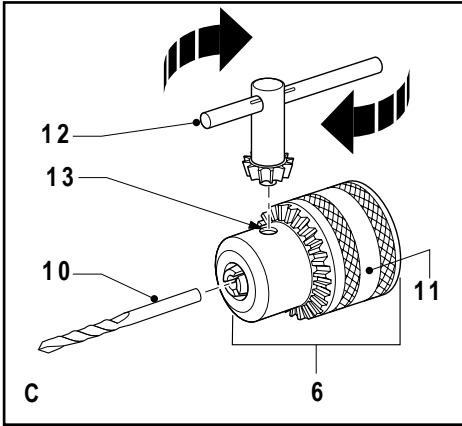
٥ إصلاح الجهاز الكهربائي

أ لا تصلح جهازك الكهربائي إلا لدى وكيل الصيانة المؤهل باستخدام قطع الاستبدال المطابقة بما يضمن الحفاظ على سلامة الجهاز الكهربائي.

إرشادات وتحذيرات إضافية للسلامة

تحذيراً تتعلق الإرشادات والتحذيرات الإضافية للسلامة بأعمال الثقب والثقب والصدمي.





الاستخدام المقصود

تم تصميم هذا المثقاب من بلاك أند ديكر لثقوب الأخشاب والمعادن والبلاستيك وحجارة البناء وكذلك لأغراض فك وربط البراغي، وهو مخصص لاستخدام المستهلك فقط.

تعليمات السلامة

تحذيرات عامة لضمان السلامة عند استخدام الأدوات الكهربائية

تحذيراً؛ اقرأ تحذيرات السلامة وغيرها من التعليمات بالكامل فقد يؤدي عدم الالتزام بأي من التحذيرات أو التعليمات التالية إلى الإصابة بصدمة كهربائية أو اندلاع الحريق و/أو غيرها من الإصابات الخطيرة.



احتفظ بجميع التحذيرات والتعليمات للرجوع إليها في المستقبل.

تشير كلمة "الأداة الكهربائية" في هذه التحذيرات إلى هذه الأداة التي قمت بشراؤها سواء كانت مشغلة من المصدر الرئيسي (سلكية) أو مشغلة بواسطة بطارية (لا سلكية).

١ سلامة منطقة العمل

أ يجب أن تكون منطقة العمل نظيفة ومضاءة جيداً، إذ تزيد مخاطر التعرض للحوادث في المناطق المظلمة أو غير المنظمة.

ب لا تشغل الأجهزة الكهربائية في الأجواء القابلة للانفجار كما في محيط الغبار أو السوائل أو الغازات القابلة للاشتعال، إذ ينجم عن استخدام الجهاز الكهربائي شظايا قد تتطاير ثم تشعل الغبار أو الأذخنة.

ج يجب إبعاد الأطفال والمارة عن منطقة العمل أثناء تشغيل الجهاز الكهربائي، وانتبه فقد تؤدي عوامل صرف الانتباه إلى فقدان التحكم بتلك الأجهزة.

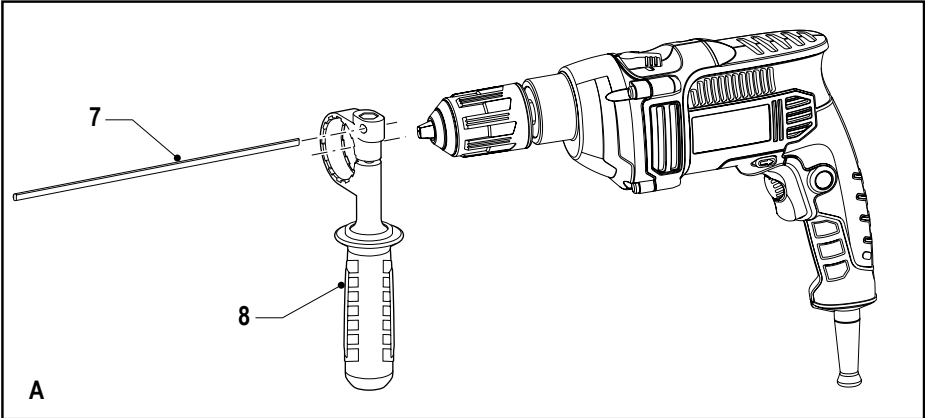
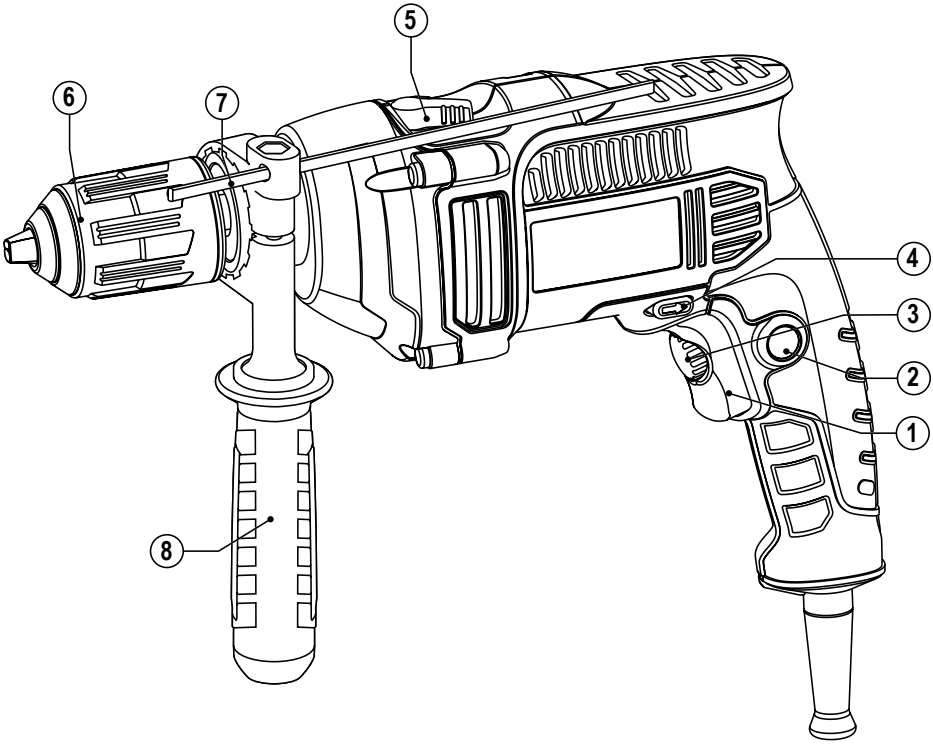
٢ السلامة الكهربائية

أ يجب أن يتوافق قابس الجهاز الكهربائي مع المقبس. ويحظر تغيير القابس بأي حال من الأحوال أو استخدام أي قابس مهايئ مع الأجهزة الكهربائية التي لها طرف مؤرض (أرضي). ويخفض استخدام القابس غير المعدل والمقابس المتجانسة من خطورة التعرض للصدات الكهربائية.

ب تجنب ملامسة الجسم للسطوح المؤرضة أو الأرضية كالأثاث ورايترات التدفئة والمدافئ والقلاجات، إذ تزداد خطورة التعرض للصدات الكهربائية عندما يكون جسمك ملامساً للأرض.

ج لا تعرض الأجهزة الكهربائية للمطر أو الرطوبة، علماً بأن تسرب المياه إلى داخل الجهاز الكهربائي يزيد من خطورة التعرض للصدات الكهربائية.

د لا تقم بإساءة استخدام السلك، فلا تستخدمه أبداً لحمل الجهاز الكهربائي أو لجذبه أو لفصل القابس عن المقبس. واحتفظ بالسلك بعيداً عن مصادر الحرارة أو الزيت أو الأطراف الحادة أو الأجزاء المتحركة. ويزيد تشابك الأسلاك أو تلفها من خطورة التعرض للصدات الكهربائية.



Names & Addresses for Black & Decker Service Concessionaries

ALGERIA: Sarl Outillage Corporation, 08 Rue Med Bouadiaf - Cheraga - Algiers, Algeria. Tel: (213-21) 375130, Fax: (213-21) 369667. **ANGOLA:** Angoferraria, Lda., Rua Robert Shields, No. 61, Luanda, Angola. Tel: 00244-222-395837 / 222-395034, Fax: 00244-222-394790. **AZERBAIJAN:** Royalton Holdings Ltd. 41 Khagani St. Apt. 47 AZ 1001, Baku. Tel: (994-12) 4935544, Fax: (994-12) 5980378. **BAHRAIN:** Kavalani & Sons W.L.L., P.O. Box 71, Sitra, Manama, Tel: (973) 17732888, Fax: (973) 17737379. Alfouz Services Co. W.L.L., P.O. Box 26562, Tubli, Manama. Tel: (973) 17783562, Fax: (973) 17783479. **EGYPT:** El Farab S.A.E., 15-Nabil El Wakkad Street, Dokki, Giza, Egypt. Tel: 00202-37603946 / 002-010-2582544, Fax: 00202-33352796. **ETHIOPIA:** Seif Tewfik Sherrif, Arada Sub-City, Kebele 01/02, Global Insurance Building, 2nd Floor, Room 43, P.O. Box 2525, Addis Ababa, Ethiopia. Tel: (251-11) 1563968/ 1563969, Fax: (251-11) 1558009. **IRAQ:** Financial Links, Kazazz Building Arsat Al-Hindia Block No: 629 Street: 31 Building No: 1 Baghdad - Iraq. Tel: 00964 (0)780 195 2223/ 00964 (0)781 3763044. Al Sard Co. for General Trading Ltd. Jbara Bldg. 3Flr, Al Rasheed St. Bagdad. Tel: (964) 18184102. Sakhar Group, Arrasat al-hindya Al Masrah, Bagdad. (964) 7400144446. **JORDAN:** Palestine Bldg. (Bashith Hardware), 93 King Abdullah 2nd Street, Opp. ELBA House, P.O. Box 3005, Amman 11953, Tel: (962-6) 5349098, Fax: (962-6) 5330731. **KENYA:** Dextron Tools Ltd., P.O. Box 20121-00200, Shariff House, Kimathi Street, Nairobi. Tel: (254-20) 6905000/ 2358021, Fax: (254-20) 6905111/ 6905112. **KUWAIT:** Al Omar Technical Co., P.O. Box 4062, 13041 Safat, Kuwait. Tel: (965) 24848595/ 24840039, Fax: (965) 24845652. Fawaz Al Zayani Establishment, P.O. Box 42426, Shop No. 18, Al Humaizi Commercial Complex, Khalifa Al Jassim, Shuwaikh, Kuwait. Tel: (965) 24828710, Fax: (965) 24828716. Fawaz Al Zayani Establishment, Fahaeel Industrial Area, Main St., Sanaya, Kuwait. Tel: (965) 23925830, Fax: (965) 24828716. **LEBANON:** Est. Shaya & Azar S.A.R.L., Boulevard Jdeideh - Mar Takla - Bouchrieh. P.O. Box 90545 Jdeideh, Beirut - Lebanon. Tel: 00961 1 872305 / 306 , Fax: 00961 1 872303. **LIBYA:** North Africa Trading (El Ghoull Brothers), AlHilal Service Center Tawergha St. Misrata, Tel: 00218-091-3224408. (Benghazi) Sniydell st., Amr Ibn El-Aas Rd. (st: +218) 92 5771120. (Tripoli) Al Barniq Service Center, Mokhazin elskusr at., ElFalah. Tel: (+218) 21 4808019. (Misrata) Al Hilal Service Center, Tawergha St. Tel: (+218) 51 2626734. **MAURITIUS:** Robert Le Marie Limited, Old Moka Road, Bell Village. P.O. Box 161, Port Louis. Tel: 00230-212 1865/ 212 2847, Fax: 00230-2080843. **MOROCCO:** Ets Louis Guillaud & Cie, 149, Quartier Industriel, Moulay Rachid, Casablanca, Postal Code 20450, Morocco. Tel: 00212-522729233, Fax: 00212-522729096. **NIGERIA:** Meridian Power Tools Ltd., Gr.Floor. #1 Alhaji Masha Rd, Next to Teslim Balogun Stadium, Near National Stadium Surulere, Lagos, Nigeria. Tel: 00124-17740431 / 7740410, Fax: 00234-1-7913798. **OMAN:** Al Jizzi Company LLC, P.O. Box 1704, PC 112 Ruwi, Oman. Tel: (968) 24832618/ 24835153, Fax: (968) 24831334/24836460. Al Hassan Technical & Construction Supplies Co. LLC, P.O. Box 1948, P.C. 112, Ruwi, Tel: (968) 24810575 / 24837054, Fax: (968) 24810287/ 24833080. Oman Hardware Co. LLC, P.O. Box 635, Ruwi Postal Code 112, Tel: (968) 24815131, Fax: (968) 24816491. Khimji Ramdas, P.O. Box 19, Post Code 100, Ghala, Muscat, Oman. Tel: (968) 24595906/ 907, Fax: (968) 24852752. Oman Marketing & Service Co. (Omasco), P.O. Box 2734, Behind Honda Showroom, Watayah, Oman. Tel: (968) 24560232/ 24560255, Fax: (968) 24560993. Oman Marketing & Service Co. (Omasco), Al Ohi, Sohar, Oman. Tel: (968) 26846379, Fax: (968) 26846379. Oman Marketing & Service Co. (Omasco), Sanaya, Salalah, Oman. Tel: (968) 23212290, Fax: (968) 23210936. **PAKISTAN:** ZIT Co - Nasir & Bros., 2nd Floor, Qadri Center, Chowk Dalgran Railway Road, Lahore, Pakistan. Tel: 0092 42 37670839, Fax: 0092 42 37652989. Ammar Service & Spares, 60-Bank Arcade, Serai Road, Karachi, Pakistan. Tel: (92-21) 32426905, Fax: (92-21) 32427214. **QATAR:** Teyseer Industrial Supplies & Services Co. W.L.L., 55, Al Wakalat St. (Between St. 18 & 19) Salwa Industrial Area, P.O. Box 40523 Doha, Qatar. Tel: (974) 4481536, Fax: (974) 44682024. Shaheen Electrical Works & Trading Co. W.L.L., Gate 34, St. 44 Industrial Area, P.O. Box 9756, Doha, Qatar. Tel: (974) 46600230/44600525, Fax: (974) 44601338. Al Mufah Service Centre, Al Wakrah Road, P.O. Box 875, Doha, Qatar. Tel: (974) 44650880/ 44650110/ 44446868, Fax: (974) 44441415 / 44662599. **SAUDI ARABIA: (Al Bahr)** Mohamed Ahmed Bin Afif Est., P.O. Box 530, Yanbu, Al Bahr. Tel: (966-4) 3222626/ 3228867, Fax: (966-4) 3222210. (Al Khobar) Fawaz Ebrahim Al Zayani Trading Est., P.O. Box 76026, Al Khobar # 31952, Tel: (966-3) 8140914, Fax: (966-3) 8140824. MSS (Al-Mojil Supply & Services) P.O. Box 450, Jubail 31951, Opp. Gulf Bridge Library & Riyadh House. Tel: (966-3) 3612850/ 3624487/ 3621729, Fax: (966-3) 3623589/ 3620783. (Dammam) MSS (Al-Mojil Supply & Services), P.O. Box 450, Jubail 31951, Opp. Gulf Bridge Library & Riyadh House. Tel: (966-3) 3612850 / 3624487 / 3621729, Fax: (966-3) 3623589 / 3620783. Al Bawardi Tools & Hardware, P.O. Box 112, Dammam, Tel: (966-3) 8330780 Ext.24 / 8348585 Ext. 24 / +966-3-8335555, Fax: (966-3) 8336303. (Al Hassa) Mutawa Trading & Gen. Services, Maliki road Hafuf city, Al Hassa, KSA. Tel: (966) 5028466275 (Jeddah) Al Bawardi Tools & Hardware, P.O. Box 16905, Jeddah 21474, Tel: (966-2) 6444547 / 6439035 / 6456095, Fax: (966-2) 6439024. EAC (Al Yousef Contg. & Trdg. Est.), P.O. Box 30377, Jeddah -21477, Tel: (966-2) 6519912, Fax: (966-2) 6511153. (Madina) Garziz Trading for Bldg Mat & Decoration, P.O. Box 3364, Madina. Tel: (966-4) 826 14 90 / 8227636, Fax: (966-4) 8265741. (Riyadh) Industrial Material Organization (IMO), P.O. Box 623, Rial Street, Riyadh, Tel: (966-1) 4028010 Ext 26 / 8001245757, Fax: (966-1) 4037970. Sultan Garment Factory (RSC), P.O. Box 29912, Riyadh 11467, KSA, Tel: (966-1) 4055148 / 4042889, Fax: (966-1) 4055148. Al Bawardi Tools & Hardware, P.O. Box 68, Riyadh 11411, Tel: (966-1) 4484999, Fax: (966-1) 4487877. (Yanbu) Fawaz Ebrahim Al Zayani, Opposite to Al Fouzan, Jeddah highway or King Abdul Aziz road, Yanbu. Tel: (966-4) 3960980, Fax: (966-4) 3961980. Mohamed Ahmed Bin Afif Est., P.O. Box 530, Yanbu, Al Bahr, Tel: (966-4) 3222626/ 3228867, Fax: (966-4) 3222210. **SOUTH AFRICA:** Stanley Black & Decker - RSA, 199 Winetree Drive Stormill Exit 9 Roodepoot, Tel: (2711) 472 0454, Fax: (2711) 472 0482. Trevo Power Tool Service 14 Steenbok Street, Koedoespoort, 0186, Pretoria, South Africa. Tel: (27-86) 1873826, Fax: (27-86) 5001771. **TANZANIA:** General Motors investment Ltd., P.O. Box 16541, 14 Nyerere Road, Vingunguti, Dar-es-Salaam. Tel: (255 22) 2862661/ 2865022, Fax: (255 22) 2862667. **TUNISIA:** Societe Tunisienne De Maintenance (STM), Rue de la Physique. Nouvelle Zone Industrielle Ben Arous., 2013 Ben Arous, Tunisia. Tel: (+216) 79 389687, Fax: (+216) 71 385154. **UAE (Abu Dhabi)** Light House Electrical, P.O. Box 120, Abu Dhabi, Tel: (971-2) 6726131, Fax: (971-2) 6720667. **Yemen:** General Equipment Trading, Madinat Yah (Baada Zaid), Abu Dhabi P.C. 58910, Tel: (971-2) 8844279, Fax: (971-2) 8844297 (Ajman) Al Sukoon Gen. Trdg. Co. LLC, P.O. Box 2975, Ajman. Tel: (971-6) 7435725/ 7438317, Fax: (971-6) 7437350. Al Sukoon Gen. Trdg. Co. LLC, P.O. Box 2975, Ajman. Tel: (971-6) 7435725 / 7438317, Fax: (971-6) 7437350. (Al Ain) Zillion Equipment and Spare Parts Trading LLC, P.O. Box 19740, Opp. Bin Sadal/ Trimix Redymix Sanaya, Al Ain. Tel: (971-3) 7216690, Fax: (971-3) 7216103. (Dubai) Black & Decker (Overseas) GmbH, P.O. Box 5420, Dubai, Tel: (971-4) 8127400/ 8127406, Fax: (971-4) 812822765. Ideal Star Workshop Eqpt. Trading LLC, P.O. Box 37116, Al Quoz, Dubai, Tel: (971-4) 3474160, Fax: (971-4) 3474157, Fine Tools, P.O. Box 30139, Al Quoz, Dubai, Tel: (971-4) 3385240, Fax: (971-4) 3385239, Albrah Engineering Service, P.O. Box 78954, Al Qusais , Dubai, Tel: (971-4) 2850044, Fax: (971-4) 2844802. (Musaffah) Light House Electrical, P.O. Box 120, Abu Dhabi, Tel: (971-2) 5548315, Fax: (971-2) 5540461. (Sharjah) Mc Coy Middle East LLC, P.O. Box 25793, Sharjah, Tel: (971-6) 5395931, Fax: (971-6) 5395932. Burj Al Madeena, Industrial Area No.1, Opp. Pakistani Masjid, P.O. Box 37635, Sharjah, Tel: (971-6) 5337747, Fax: (971-6) 5337719. Burj Al Madeena , Industrial Area No.1, opp Pakistani Masjid P.O. Box 37635, Sharjah, Tel: (971-6) 5337747, Fax: (971-6) 5337719 (Ras Al Khaimah) Mc Coy Middle East LLC, P.O. Box 10584, Ras Al Khaimah, Tel: (971-7) 2277095, Fax: (971-7) 2277096. **UGANDA:** The Building Center (U) Ltd., 52 Station Road, Kitgum House, P.O. Box 7436, Kampala, Uganda. Tel: (256-41) 4234567/ 4259754, Fax: (256-41) 4236413. **YEMEN: (Aden)** Middle East Trad. Co. Ltd. (METCO), Mualla Dakka, Aden, Yemen. Tel: (967-2) 222670, Fax: (967-2) 222670. (Sana'a) Middle East Trad. Co. Ltd. (METCO), Hayel St., Sana'a, Yemen. Tel: (967-1) 204201, Fax: (967-1) 204204. (Taiz) Middle East Trading Co. (METCO), P.O. Box 12363, 5th Flr, Hayel Saeed Anam Bldg, Al-Mugammah St. Taiz, Yemen. Tel: (967-4) 213455, Fax: (967-4) 219869.