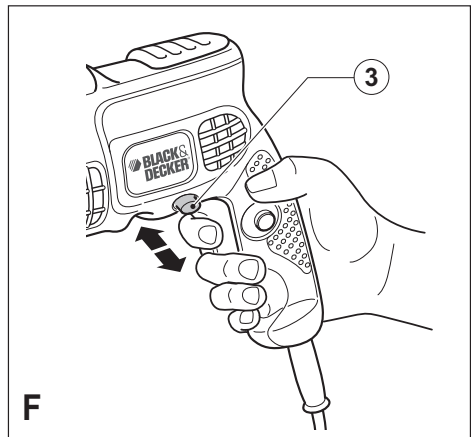
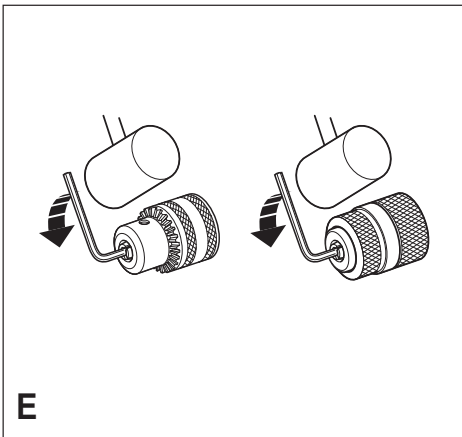
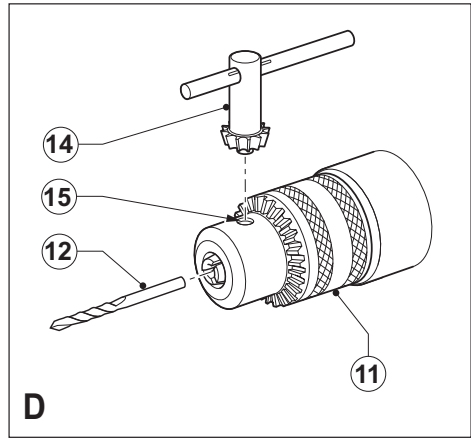
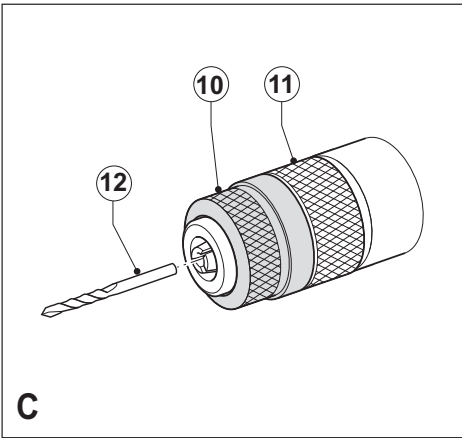
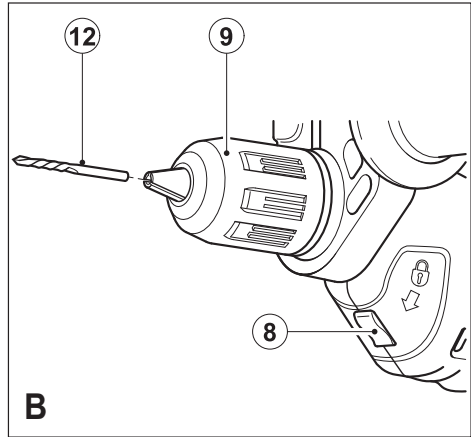
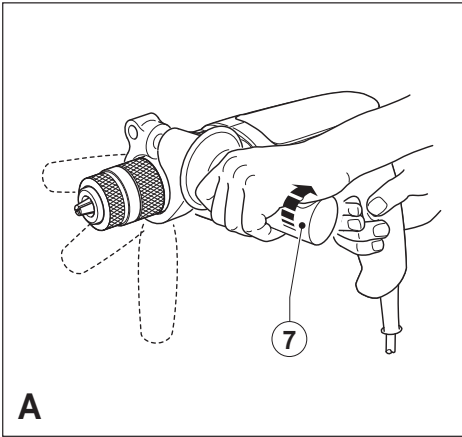
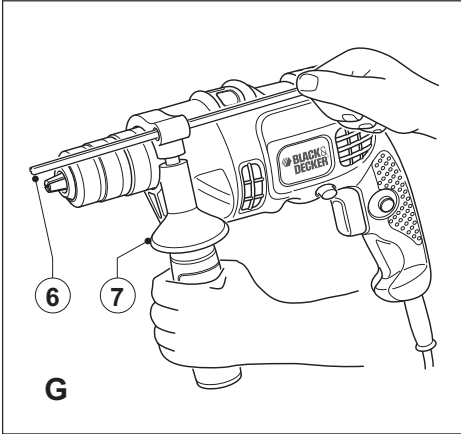


**CD714RE  
CD714CRE  
CD714CRES  
KR604CRES  
KR654CRES  
KR714CRES**

<b>English (Original instructions)</b>	<b>5</b>
<b>Deutsch (Übersetzung der ursprünglichen Anweisungen)</b>	<b>10</b>
<b>Français (Traduction des instructions initiales)</b>	<b>16</b>
<b>Italiano (Traduzione del testo originale)</b>	<b>22</b>
<b>Nederlands (Vertaling van de originele instructies)</b>	<b>28</b>
<b>Español (Traducción de las instrucciones originales)</b>	<b>34</b>
<b>Português (Tradução das instruções originais)</b>	<b>40</b>
<b>Svenska (Översättning av originalanvisningarna)</b>	<b>46</b>
<b>Norsk (Oversettelse av de opprinnelige instruksjonene)</b>	<b>51</b>
<b>Dansk (Oversættelse af de oprindelige instruktioner)</b>	<b>56</b>
<b>Suomi (Alkuperäisten ohjeiden käännös)</b>	<b>61</b>
<b>Ελληνικά (Μετάφραση των πρωτότυπων οδηγιών)</b>	<b>66</b>





## Intended use

Your Black & Decker hammer drill has been designed for drilling in wood, metal and plastics and masonry as well as for screwdriving purposes. This tool is intended for consumer use only.

## Safety instructions

### General power tool safety warnings



**Warning! Read all safety warnings and all instructions.** Failure to follow all instructions may result in electric shock, fire and/or serious injury.

### Save all warnings and instructions for future reference.

The term "power tool" in all of the warnings listed below refers to your mains operated (corded) power tool or battery operated (cordless) power tool.

1. **Work area safety**
    - a. **Keep work area clean and well lit.** Cluttered and dark areas invite accidents.
    - b. **Do not operate power tools in explosive atmospheres, such as in the presence of flammable liquids, gases or dust.** Power tools create sparks which may ignite the dust or fumes.
    - c. **Keep children and bystanders away while operating a power tool.** Distractions can cause you to lose control.
  2. **Electrical safety**
    - a. **Power tool plugs must match the outlet. Never modify the plug in any way. Do not use any adapter plugs with earthed (grounded) power tools.** Unmodified plugs and matching outlets will reduce risk of electric shock.
    - b. **Avoid body contact with earthed or grounded surfaces such as pipes, radiators, ranges and refrigerators.** There is an increased risk of electric shock if your body is earthed or grounded.
    - c. **Do not expose power tools to rain or wet conditions.** Water entering a power tool will increase the risk of electric shock.
    - d. **Do not abuse the cord. Never use the cord for carrying, pulling or unplugging the power tool. Keep cord away from heat, oil, sharp edges or moving parts.** Damaged or entangled cords increase the risk of electric shock.
    - e. **When operating a power tool outdoors, use an extension cord suitable for outdoor use.** Use of a cord suitable for outdoor use reduces the risk of electric shock.
  - f. **If operating a power tool in a damp location is unavoidable, use a Residual Current Device (RCD) protected supply.** Use of an RCD reduces the risk of electric shock.
3. **Personal safety**
    - a. **Stay alert, watch what you are doing and use common sense when operating a power tool. Do not use a power tool while you are tired or under the influence of drugs, alcohol or medication.** A moment of inattention while operating power tools may result in serious personal injury.
    - b. **Use personal protective equipment. Always wear eye protection.** Protective equipment such as dust mask, non-skid safety shoes, hard hat, or hearing protection used for appropriate conditions will reduce personal injuries.
    - c. **Prevent unintentional starting. Ensure the switch is in the off-position before connecting to power source and/or battery pack, picking up or carrying the tool.** Carrying power tools with your finger on the switch or energising power tools that have the switch on invites accidents.
    - d. **Remove any adjusting key or wrench before turning the power tool on.** A wrench or a key left attached to a rotating part of the power tool may result in personal injury.
    - e. **Do not overreach. Keep proper footing and balance at all times.** This enables better control of the power tool in unexpected situations.
    - f. **Dress properly. Do not wear loose clothing or jewellery. Keep your hair, clothing and gloves away from moving parts.** Loose clothes, jewellery or long hair can be caught in moving parts.
    - g. **If devices are provided for the connection of dust extraction and collection facilities, ensure these are connected and properly used.** Use of these devices can reduce dust related hazards.
  4. **Power tool use and care**
    - a. **Do not force the power tool. Use the correct power tool for your application.** The correct power tool will do the job better and safer at the rate for which it was designed.
    - b. **Do not use the power tool if the switch does not turn it on and off.** Any power tool that cannot be controlled with the switch is dangerous and must be repaired.
    - c. **Disconnect the plug from the power source and/or the battery pack from the power tool before making any adjustments, changing accessories, or storing power tools.** Such preventive safety measures reduce the risk of starting the power tool accidentally.

- d. **Store idle power tools out of the reach of children and do not allow persons unfamiliar with the power tool or these instructions to operate the power tool.** Power tools are dangerous in the hands of untrained users.
- e. **Maintain power tools. Check for misalignment or binding of moving parts, breakage of parts and any other condition that may affect the power tools operation. If damaged, have the power tool repaired before use.** Many accidents are caused by poorly maintained power tools.
- f. **Keep cutting tools sharp and clean.** Properly maintained cutting tools with sharp cutting edges are less likely to bind and are easier to control.
- g. **Use the power tool, accessories and tool bits etc. in accordance with these instructions, taking into account the working conditions and the work to be performed.** Use of the power tool for operations different from those intended could result in a hazardous situation.
- 5. **Service**
  - a. **Have your power tool serviced by a qualified repair person using only identical replacement parts.** This will make sure that the safety of the power tool is maintained.

## Additional power tool safety warnings



**Warning!** Additional safety warnings for drills and impact drills.

- ◆ **Wear ear protectors with impact drills.** Exposure to noise can cause hearing loss.
- ◆ **Use auxiliary handles supplied with the tool.** Loss of control can cause personal injury.
- ◆ **Hold power tool by insulated gripping surfaces when performing an operation where the cutting accessory may contact hidden wiring or its own cord.** Cutting accessory contacting a “live” wire may make exposed metal parts of the power tool “live” and shock the operator.
- ◆ **Use clamps or another practical way to secure and support the workpiece to a stable platform.** Holding the work by hand or against your body leaves it unstable and may lead to loss of control.
- ◆ Before drilling into walls, floors or ceilings, check for the location of wiring and pipes.
- ◆ Avoid touching the tip of a drill bit just after drilling, as it may be hot.

- ◆ The intended use is described in this instruction manual. The use of any accessory or attachment or performance of any operation with this tool other than those recommended in this instruction manual may present a risk of personal injury and/or damage to property.

## Safety of others

- ◆ This tool is not intended for use by persons (including children) with reduced physical, sensory or mental capabilities, or lack of experience and knowledge, unless they have been given supervision or instruction concerning use of the appliance by a person responsible for their safety.
- ◆ Children should be supervised to ensure that they do not play with the appliance.

## Vibration

The declared vibration emission values stated in the technical data and the declaration of conformity have been measured in accordance with a standard test method provided by EN 60745 and may be used for comparing one tool with another. The declared vibration emission value may also be used in a preliminary assessment of exposure.

**Warning!** The vibration emission value during actual use of the power tool can differ from the declared value depending on the ways in which the tool is used. The vibration level may increase above the level stated.

When assessing vibration exposure to determine safety measures required by 2002/44/EC to protect persons regularly using power tools in employment, an estimation of vibration exposure should consider, the actual conditions of use and the way the tool is used, including taking account of all parts of the operating cycle such as the times when the tool is switched off and when it is running idle in addition to the trigger time.

## Labels on tools

The following pictograms are shown on the tool.



**Warning!** To reduce the risk of injury, the user must read the instruction manual.

## Electrical safety



This tool is double insulated; therefore no earth wire is required. Always check that the power supply corresponds to the voltage on the rating plate.

- ◆ If the supply cord is damaged, it must be replaced by the manufacturer or an authorised Black & Decker Service Centre in order to avoid a hazard.

## Features

1. Variable speed switch
2. Lock-on button
3. Forward/reverse button
4. Drilling mode selector
5. Chuck
6. Depth stop (not all models)
7. Side handle (not all models)

### fig. B

8. Manual spindle lock button (single sleeve keyless chuck only)

## Assembly

**Warning!** Before assembly, make sure that the tool is switched off and unplugged.

### Fitting the side handle and depth stop (fig. A)

- ◆ Turn the grip counter clockwise until you can slide the side handle (7) onto the front of the tool as shown.
- ◆ Rotate the side handle into the desired position.
- ◆ Insert the depth stop (6) into the mounting hole as shown.
- ◆ Set the drilling depth as described below.
- ◆ Tighten the side handle by turning the grip clockwise.

## Fitting a drill bit

### Single sleeve keyless chuck (fig. B)

- ◆ Open the chuck by pressing the manual spindle lock button (8) and turning the sleeve (9) counter clockwise.
- ◆ Insert the bit shaft (12) into the chuck.
- ◆ Firmly tighten the chuck by pressing the manual spindle lock button (8) and turning the sleeve clockwise until it is tight.

### Two sleeve keyless chuck (fig. C)

- ◆ Open the chuck by turning the front part (10) with one hand while holding the rear part (11) with the other.
- ◆ Insert the bit shaft (12) into the chuck and firmly tighten the chuck.

### Keyed chuck (fig. D)

- ◆ Open the chuck by turning the sleeve (11) counter clockwise.
- ◆ Insert the bit shaft (12) into the chuck.
- ◆ Insert the chuck key (14) into each hole (15) in the side of the chuck and turn clockwise until tight.

### Removing and refitting the chuck (fig. E)

- ◆ Open the chuck as far as possible.
- ◆ Remove the chuck retaining screw, located in the chuck, by turning it clockwise using a screwdriver.

- ◆ Tighten an Allen key into the chuck and strike it with a hammer as shown.
- ◆ Remove the Allen key.
- ◆ Remove the chuck by turning it counter clockwise.
- ◆ To refit the chuck, screw it onto the spindle and secure it with the chuck retaining screw.

## Use

**Warning!** Let the tool work at its own pace. Do not overload.

**Warning!** Before drilling into walls, floors or ceilings, check for the location of wiring and pipes.

### Selecting the direction of rotation (fig. F)

For drilling and for tightening screws, use forward (clockwise) rotation. For loosening screws or removing a jammed drill bit, use reverse (counter clockwise) rotation.

- ◆ To select forward rotation, push the forward/reverse button (3) to the left position.
- ◆ To select reverse rotation, push the forward/reverse button to the right.

**Warning!** Never change the direction of rotation while the motor is running.

### Selecting the drilling mode

- ◆ For drilling in masonry, set the drilling mode selector (4) to the **T** position.
- ◆ For drilling in other materials and for screwdriving, set the drilling mode selector to the **2** position.

### Setting the drilling depth (fig. G)

- ◆ Slacken the side handle (7) by turning the grip counter clockwise.
- ◆ Set the depth stop (6) to the desired position. The maximum drilling depth is equal to the distance between the tip of the drill bit and the front end of the depth stop.
- ◆ Tighten the side handle by turning the grip clockwise.

### Switching on and off

- ◆ To switch the tool on, press the variable speed switch (1). The tool speed depends on how far you press the switch. As a general rule, use low speeds for large diameter drill bits and high speeds for smaller diameter drill bits.
- ◆ For continuous operation, press the lock-on button (2) and release the variable speed switch. This option is available only at full speed in both forward and reverse modes.
- ◆ To switch the tool off, release the variable speed switch. To switch the tool off when in continuous operation, press the variable speed switch again and release it.

## Accessories

The performance of your tool depends on the accessory used. Black & Decker and Piranha accessories are engineered to high quality standards and designed to enhance the performance of your tool. By using these accessories you will get the very best from your tool.

## Maintenance

Your Black & Decker tool has been designed to operate over a long period of time with a minimum of maintenance. Continuous satisfactory operation depends upon proper tool care and regular cleaning.

**Warning!** Before performing any maintenance, switch off and unplug the tool.

- ◆ Regularly clean the ventilation slots in your tool using a soft brush or dry cloth.
- ◆ Regularly clean the motor housing using a damp cloth. Do not use any abrasive or solvent-based cleaner.
- ◆ Regularly open the chuck and tap it to remove any dust from the interior (when fitted).

### Mains plug replacement (U.K. & Ireland only)

If a new mains plug needs to be fitted:

- ◆ Safely dispose of the old plug.
- ◆ Connect the brown lead to the live terminal in the new plug.
- ◆ Connect the blue lead to the neutral terminal.

**Warning!** No connection is to be made to the earth terminal. Follow the fitting instructions supplied with good quality plugs. Recommended fuse: 5 A.

## Protecting the environment



Separate collection. This product must not be disposed of with normal household waste.

Should you find one day that your Black & Decker product needs replacement, or if it is of no further use to you, do not dispose of it with household waste. Make this product available for separate collection.



Separate collection of used products and packaging allows materials to be recycled and used again. Re-use of recycled materials helps prevent environmental pollution and reduces the demand for raw materials.

Local regulations may provide for separate collection of electrical products from the household, at municipal waste sites or by the retailer when you purchase a new product.

Black & Decker provides a facility for the collection and recycling of Black & Decker products once they have reached the end of their working life. To take advantage of this service please return your product to any authorised repair agent who will collect them on our behalf.

You can check the location of your nearest authorised repair agent by contacting your local Black & Decker office at the address indicated in this manual. Alternatively, a list of authorised Black & Decker repair agents and full details of our after-sales service and contacts are available on the Internet at: [www.2helpU.com](http://www.2helpU.com).

### Technical data

	CD714RE TYPE 2	CD714CRE TYPE 2	CD714CRES TYPE 2
Input voltage	Vac 230	230	230
Power input	W 710	710	710
No load speed	min <sup>-1</sup> 0-2800	0-2800	0-2800
Max drilling capacity			
Steel/ concrete	mm 13	13	13
Wood	mm 25	25	25
Weight	kg 2.0	2.0	2.0

	KR604 GRES TYPE 2	KR654 GRES TYPE 2	KR714 GRES TYPE 2
Input voltage	Vac 230	230	230
Power input	W 600	650	710
No load speed	min <sup>-1</sup> 0-2800	0-2800	0-2800
Max drilling capacity			
Steel/concrete	mm 13	13	13
Wood	mm 20	20	25
Weight	kg 2.0	2.0	2.0

Level of sound pressure according to EN 60745:  
 Sound pressure ( $L_{pA}$ ) 98 dB(A), uncertainty (K) 3 dB(A)  
 Acoustic power ( $L_{WA}$ ) 109 dB(A), uncertainty (K) 3 dB(A)

Vibration total values (triax vector sum) according to EN 60745:

Impact drilling into concrete ( $a_h$ ) = 17.88 m/s<sup>2</sup>,  
 uncertainty (K) = 1.5 m/s<sup>2</sup>

Drilling into Metal ( $a_h$ ) = 3.17 m/s<sup>2</sup>, uncertainty (K) = 1.5 m/s<sup>2</sup>



**EC declaration of conformity**  
MACHINERY DIRECTIVE



**CD714RE, CD714CRE, CD714CRES,  
KR604CRES, KR654CRES, KR714CRES**

Black & Decker declares that these products described under "technical data" are in compliance with: 2006/42/EC, 2014/30/EU, 2011/65/EU, EN60745-1 and EN60745-2-1

For more information, please contact Black & Decker at the following address or refer to the back of the manual.

The undersigned is responsible for compilation of the technical file and makes this declaration on behalf of Black & Decker.

R.Laverick  
Engineering Manager  
Black & Decker Europe, 210 Bath Road, Slough,  
Berkshire, SL1 3YD  
United Kingdom  
11-07-2014

## Guarantee

Black & Decker is confident of the quality of its products and offers an outstanding guarantee. This guarantee statement is in addition to and in no way prejudices your statutory rights. The guarantee is valid within the territories of the Member States of the European Union and the European Free Trade Area.

If a Black & Decker product becomes defective due to faulty materials, workmanship or lack of conformity, within 24 months from the date of purchase, Black & Decker guarantees to replace defective parts, repair products subjected to fair wear and tear or replace such products to make sure of the minimum inconvenience to the customer unless:

- ◆ The product has been used for trade, professional or hire purposes.
- ◆ The product has been subjected to misuse or neglect.
- ◆ The product has sustained damage through foreign objects, substances or accidents.
- ◆ Repairs have been attempted by persons other than authorised repair agents or Black & Decker service staff.

To claim on the guarantee, you will need to submit proof of purchase to the seller or an authorised repair agent. You can check the location of your nearest authorised repair agent by contacting your local Black & Decker office at the address indicated in this manual. Alternatively, a list of authorised Black & Decker repair agents and full details of our after-sales service and contacts are available on the Internet at: [www.2helpU.com](http://www.2helpU.com).

Please visit our website [www.blackanddecker.co.uk](http://www.blackanddecker.co.uk) to register your new Black & Decker product and to be kept up to date on new products and special offers. Further information on the Black & Decker brand and our range of products is available at [www.blackanddecker.co.uk](http://www.blackanddecker.co.uk).

## Bestimmungsgemäße Verwendung

Ihre Black & Decker Schlagbohrmaschine wurde zum Bohren in Holz, Metall, Kunststoff und Mauerwerk sowie für Schraubarbeiten entwickelt. Dieses Gerät ist nicht für den gewerblichen Einsatz vorgesehen.

## Sicherheitshinweise

### Allgemeine Sicherheitswarnungen für das Gerät



**Achtung! Lesen Sie sämtliche Sicherheitswarnungen und Anweisungen.**

Die Nichteinhaltung der aufgeführten Anweisungen kann einen elektrischen Schlag, Brand und/oder schwere Verletzungen verursachen.

### Bewahren Sie alle Sicherheitswarnungen und Anweisungen gut auf.

Der nachfolgend verwendete Begriff „Gerät“ bezieht sich auf netzbetriebene Geräte (mit Netzkabel) und auf akkubetriebene Geräte (ohne Netzkabel).

1. **Sicherheit im Arbeitsbereich**
  - a. **Halten Sie Ihren Arbeitsbereich sauber, und sorgen Sie für ausreichende Beleuchtung.** Unordnung und das Arbeiten bei unzureichender Beleuchtung können zu Unfällen führen.
  - b. **Betreiben Sie das Gerät nicht in Umgebungen, in denen Explosionsgefahr z. B. aufgrund von brennbaren Flüssigkeiten, Gasen oder Staub besteht.** Elektrische Geräte erzeugen Funken, die den Staub oder die Dämpfe entzünden können.
  - c. **Halten Sie Kinder und andere Personen während der Benutzung des Geräts fern.** Bei Ablenkung können Sie die Kontrolle über das Gerät verlieren.
2. **Elektrische Sicherheit**
  - a. **Der Netzstecker des Geräts muss in die Steckdose passen. Der Stecker darf in keiner Weise verändert werden. Verwenden Sie für schutzgeerdete Geräte keine Adapterstecker.** Unveränderte Stecker und passende Steckdosen verringern das Risiko eines elektrischen Schlags.
  - b. **Vermeiden Sie Körperkontakt mit geerdeten Oberflächen von Rohren, Heizungen, Herden und Kühlschränken.** Es besteht ein erhöhtes Risiko eines elektrischen Schlags, wenn Ihr Körper geerdet ist.
  - c. **Schützen Sie das Gerät vor Regen und Nässe.** Das Eindringen von Wasser in ein Gerät erhöht das Risiko eines elektrischen Schlags.
  - d. **Verwenden Sie das Kabel ordnungsgemäß. Verwenden Sie es niemals zum Tragen. Trennen Sie das Gerät nicht durch Ziehen am Kabel vom Netz. Halten Sie das Kabel fern von Hitze, Öl, scharfen Kanten oder sich bewegenden Teilen.** Beschädigte oder verwickelte Kabel erhöhen das Risiko eines elektrischen Schlags.
  - e. **Wenn Sie mit einem Gerät im Freien arbeiten, verwenden Sie nur Verlängerungskabel, die auch für den Außenbereich zugelassen sind.** Die Verwendung eines für den Außenbereich geeigneten Verlängerungskabels verringert das Risiko eines elektrischen Schlags.
  - f. **Wenn das Gerät in einer feuchten Umgebung verwendet werden muss, schließen Sie es unbedingt an eine Steckdose mit Fehlerstromschutzschalter (FI-Schalter) an.** Ein Fehlerstromschutzschalter verringert das Risiko eines elektrischen Schlags.
  3. **Sicherheit von Personen**
    - a. **Verwenden Sie das Gerät aufmerksam und vernünftig. Benutzen Sie das Gerät nicht, wenn Sie müde sind oder unter dem Einfluss von Drogen, Alkohol oder Medikamenten stehen.** Ein Moment der Unachtsamkeit beim Gebrauch von Geräten kann zu ernsthaften Verletzungen führen.
    - b. **Verwenden Sie eine geeignete Schutzausrüstung. Tragen Sie stets einen Augenschutz.** Schutzausrüstung wie Staubmaske, rutschfeste Sicherheitsschuhe, Schutzhelm oder Gehörschutz, je nach Art und Einsatz des Geräts, verringert das Risiko von Verletzungen.
    - c. **Vermeiden Sie eine unbeabsichtigte Inbetriebnahme. Vergewissern Sie sich, dass das Gerät ausgeschaltet ist, bevor Sie es an eine Steckdose oder einen Akku anschließen, es hochheben oder tragen.** Durch das Tragen des Geräts mit dem Finger am Schalter oder durch das Anschließen eingeschalteter Geräte werden Unfälle provoziert.
    - d. **Entfernen Sie Einstell- oder Schraubenschlüssel, bevor Sie das Gerät einschalten.** Ein Schlüssel in einem sich drehenden Teil kann zu Verletzungen führen.
    - e. **Beugen Sie sich nicht zu weit nach vorn über. Achten Sie jederzeit auf einen sicheren Stand, und halten Sie das Gleichgewicht.** So haben Sie das Gerät auch in einer unerwarteten Situation besser unter Kontrolle.
    - f. **Tragen Sie geeignete Kleidung. Tragen Sie keine weite Kleidung oder Schmuck. Halten Sie Haare, Kleidung und Handschuhe von beweglichen Teilen fern.** Lose Kleidung, Schmuck oder lange Haare können von beweglichen Teilen erfasst werden.
    - g. **Vergewissern Sie sich, dass etwaige Vorrichtungen zum Absaugen und Sammeln von Staub ordnungsgemäß angeschlossen und verwendet werden.** Diese Vorrichtungen verringern Gefährdungen durch Staub.

#### 4. Gebrauch und Pflege von Geräten

- a. **Überlasten Sie das Gerät nicht. Verwenden Sie das für Ihre Arbeit passende Gerät.** Durch das Arbeiten in dem für das Gerät angegebenen Leistungsbereich erzielen Sie nicht nur optimale Ergebnisse, Sie erhöhen auch die Sicherheit.
  - b. **Verwenden Sie das Gerät nicht, wenn der Ein-/Ausschalter nicht funktioniert.** Ein Gerät, das sich nicht mehr ein- oder ausschalten lässt, ist gefährlich und muss repariert werden.
  - c. **Ziehen Sie den Stecker aus der Steckdose oder trennen Sie das Gerät vom Akku, bevor Sie Einstellungen vornehmen, Zubehörteile wechseln oder das Gerät weglegen.** Diese Vorsichtsmaßnahme verhindert den unbeabsichtigten Start des Geräts.
  - d. **Bewahren Sie unbenutzte Geräte außerhalb der Reichweite von Kindern auf. Lassen Sie Geräte nicht von Personen benutzen, die damit nicht vertraut sind oder diese Anweisungen nicht gelesen haben.** Geräte sind gefährlich, wenn sie von unerfahrenen Personen benutzt werden.
  - e. **Halten Sie Geräte in einem einwandfreien Zustand. Kontrollieren Sie, ob bewegliche Teile falsch ausgerichtet sind oder klemmen und ob Teile gebrochen oder so beschädigt sind, dass die Funktion des Geräts beeinträchtigt ist. Lassen Sie beschädigte Geräte vor dem Gebrauch reparieren.** Viele Unfälle werden durch schlecht gewartete Geräte verursacht.
  - f. **Halten Sie Schneidwerkzeuge scharf und sauber.** Sorgfältig gepflegte Schneidwerkzeuge mit scharfen Schneidkanten bleiben nicht so leicht stecken und sind leichter zu führen.
  - g. **Verwenden Sie Gerät, Zubehör, Einsätze usw. entsprechend diesen Anweisungen, und berücksichtigen Sie dabei die Arbeitsbedingungen und die auszuführende Arbeit.** Der Gebrauch von Geräten für andere als die vorgesehenen Anwendungen kann zu gefährlichen Situationen führen.
5. **Service**
- a. **Lassen Sie das Gerät nur von qualifiziertem Fachpersonal und nur mit Originalersatzteilen reparieren.** So wird gewährleistet, dass die Sicherheit des Geräts erhalten bleibt.

#### Zusätzliche Sicherheitswarnungen für das Gerät



**Achtung!** Zusätzliche Sicherheitswarnungen für Bohrschrauber und Schlagbohrmaschinen

- ◆ **Tragen Sie bei der Arbeit mit Schlagbohrmaschinen einen Gehörschutz.** Ein hoher Geräuschpegel kann zu Gehörschäden führen.
- ◆ **Verwenden Sie die mitgelieferten Zusatzgriffe.** Ein Kontrollverlust kann zu Verletzungen führen.
- ◆ **Halten Sie das Gerät an den isolierten Griffflächen, wenn Sie Arbeiten ausführen, bei denen das Werkzeug ein verdecktes Kabel oder das Geräte Kabel berühren könnte.** Wenn das Werkzeug stromführende Leitungen berührt, kann sich die Spannung auf offen liegende Metallteile am Gerät übertragen, sodass der Bediener einen elektrischen Schlag erleidet.
- ◆ **Fixieren Sie das Werkstück mit Zwingen oder ähnlichen Hilfsmitteln auf einer stabilen Oberfläche.** Ein Werkstück, das mit der Hand oder gegen den Körper gehalten wird, ist unzureichend befestigt und kann leicht außer Kontrolle geraten.
- ◆ Prüfen Sie vor dem Bohren in Wände, Fußböden oder Decken diese Stellen auf dahinter liegende Kabel oder Rohre.
- ◆ Berühren Sie die Spitze des Bohreinsatzes nicht unmittelbar nach dem Bohren, da diese heiß sein kann.
- ◆ Der vorgesehene Verwendungszweck ist in dieser Anleitung beschrieben. Die Verwendung von Zubehör oder Anbauteilen, die nicht in dieser Anleitung empfohlen sind, sowie die Bedienung des Geräts in Abweichung von den in dieser Anleitung beschriebenen Verfahren kann zu Verletzungen und/oder Sachschäden führen.

#### Sicherheit anderer Personen

- ◆ Dieses Gerät darf nicht von Personen (einschließlich Kindern) mit eingeschränkten körperlichen, sensorischen oder geistigen Fähigkeiten oder mangelnder Erfahrung und Wissen in Bezug auf dessen Gebrauch bedient werden, es sei denn, sie werden bei der Verwendung des Geräts von einer erfahrenen Person beaufsichtigt oder angeleitet.
- ◆ Kinder müssen beaufsichtigt werden, um sicherzustellen, dass sie nicht mit dem Gerät spielen.

## Vibration

Die in den Technischen Daten und der Konformitätserklärung angegebenen Werte für die Vibrationsemission wurden mit einer Standard-Prüfmethode nach EN 60745 ermittelt und können zum Vergleich verschiedener Geräte herangezogen werden. Außerdem kann mit Hilfe dieses Werts die Belastung bei Verwendung des Geräts schon im Voraus eingeschätzt werden.

**Achtung!** Die bei Verwendung des Geräts auftretende Vibrationsemission hängt von der Art des Gerätegebrauchs ab und kann dementsprechend vom angegebenen Wert abweichen. Gegebenenfalls kann die Vibration über dem angegebenen Wert liegen.

Mit Hilfe der ermittelten Werte der Vibrationsbelastung durch Elektrogeräte lassen sich Sicherheitsmaßnahmen festlegen, die gemäß 2002/44/EG zum Schutze von Personen bestimmt sind, die diese Geräte regelmäßig bei der Arbeit verwenden. Bei der Einschätzung der Vibrationsbelastung sollten die Gebrauchsumstände und die Art der Verwendung des Geräts sowie alle Schritte des Arbeitszyklus berücksichtigt werden, wozu Ruhe-, Leerlauf- und Startzeiten gehören.

## Warnsymbole am Gerät

Am Gerät sind folgende Warnsymbole angebracht.



**Achtung!** Lesen Sie vor Gebrauch die Anleitung. Andernfalls besteht Verletzungsgefahr.

## Elektrische Sicherheit



Dieses Gerät ist schutzisoliert, daher ist keine Erdleitung erforderlich. Überprüfen Sie immer, ob die Netzspannung der auf dem Typenschild des Geräts angegebenen Spannung entspricht.

- ◆ Ist das Netzkabel beschädigt, muss es durch den Hersteller oder eine Black & Decker Vertragswerkstatt ausgetauscht werden, um eine mögliche Gefährdung zu vermeiden.

## Merkmale

1. Geschwindigkeitsregler
2. Feststellknopf
3. Vor-/Zurückschaltknopf
4. Bohrmodusschalter
5. Bohrfutter
6. Tiefenbegrenzung (nicht bei allen Modellen)
7. Seitlicher Haltegriff (nicht bei allen Modellen)

## Abb. B

8. Manuelle Spindelarretierung  
(nur Schnellspannbohrfutter mit einer einzelnen Hülse)

## Montage

**Achtung!** Vergewissern Sie sich vor der Montage, dass das Gerät ausgeschaltet ist und der Netzstecker gezogen wurde.

### Anbringen des seitlichen Haltegriffs und der Tiefenbegrenzung (Abb. A)

- ◆ Drehen Sie den Griff entgegen dem Uhrzeigersinn, bis Sie den seitlichen Haltegriff (7) wie dargestellt über die Vorderseite des Geräts schieben können.
- ◆ Drehen Sie den seitlichen Haltegriff in die gewünschte Position.
- ◆ Setzen Sie die Tiefenbegrenzung (6) wie dargestellt in die vorgesehene Öffnung ein.
- ◆ Legen Sie die Bohrtiefe wie im Folgenden beschrieben fest.
- ◆ Befestigen Sie den seitlichen Haltegriff, indem Sie den Griff im Uhrzeigersinn drehen.

### Anbringen eines Bohreinsatzes

#### Schnellspannbohrfutter mit einer einzelnen Hülse (Abb. B)

- ◆ Öffnen Sie das Bohrfutter, indem Sie die manuelle Spindelarretierung (8) drücken, und die Hülse (9) gegen den Uhrzeigersinn drehen.
- ◆ Setzen Sie einen Einsatz (12) in das Bohrfutter ein.
- ◆ Sichern Sie das Bohrfutter, indem Sie die manuelle Spindelarretierung (8) drücken, und die Hülse im Uhrzeigersinn drehen, bis diese fest angezogen ist.

#### Schnellspannbohrfutter mit zwei Hülsen (Abb. C)

- ◆ Öffnen Sie das Bohrfutter, indem Sie den vorderen Teil (10) mit einer Hand drehen und den hinteren Teil (11) mit der anderen Hand festhalten.
- ◆ Setzen Sie einen Einsatz (12) in das Bohrfutter ein, und ziehen Sie dieses fest an.

#### Schlüsselbohrfutter (Abb. D)

- ◆ Öffnen Sie das Bohrfutter, indem Sie die Hülse (11) gegen den Uhrzeigersinn drehen.
- ◆ Setzen Sie einen Einsatz (12) in das Bohrfutter ein.
- ◆ Setzen Sie den Bohrfutterschlüssel (14) in jedes Loch (15) an der Seite des Bohrfutters ein, um ziehen Sie den Bohrfutterschlüssel im Uhrzeigersinn fest an.

#### Entfernen und erneutes Anbringen des Bohrfutters (Abb. E)

- ◆ Öffnen Sie das Bohrfutter so weit wie möglich.
- ◆ Entfernen Sie die Halteschraube im Inneren des Bohrfutters, indem Sie diese mit einem Schraubendreher im Uhrzeigersinn drehen.
- ◆ Spannen Sie einen Inbusschlüssel in das Bohrfutter, und schlagen Sie den Schlüssel wie gezeigt mit einem Hammer an.

- ◆ Entfernen Sie den Inbusschlüssel.
- ◆ Entfernen Sie das Bohrfutter durch Drehen gegen den Uhrzeigersinn.
- ◆ Zum Wiedereinbau des Bohrfutters schrauben Sie das Futter auf die Spindel und sichern es mit der zugehörigen Halteschraube.

## Gebrauch

**Achtung!** Beschleunigen Sie den Arbeitsvorgang nicht mit Gewalt. Vermeiden Sie eine Überlastung des Geräts.

**Achtung!** Prüfen Sie vor dem Bohren in Wände, Fußböden oder Decken diese Stellen auf dahinter liegende Kabel oder Rohre.

### Auswählen der Drehrichtung (Abb. F)

Verwenden Sie zum Bohren und Anziehen von Schrauben die Vorwärtsdrehung (im Uhrzeigersinn). Verwenden Sie zum Entfernen von Schrauben und verklemmten Bohreinsätzen die Rückwärtsdrehung (gegen den Uhrzeigersinn).

- ◆ Drücken Sie den Vor-/Zurückschaltknopf (3) nach links, um die Vorwärtsdrehung einzustellen.
- ◆ Drücken Sie den Vor-/Zurückschaltknopf (3) nach rechts, um die Rückwärtsdrehung einzustellen.

**Achtung!** Wechseln Sie auf keinen Fall die Drehrichtung, während der Motor läuft.

### Auswählen des Bohrmodus

- ◆ Stellen Sie zum Bohren in Mauerwerk den Bohrmodussschalter (4) auf die Position **T**.
- ◆ Stellen Sie den Bohrmodussschalter zum Bohren in andere Materialien und zum Ausführen von Schraubarbeiten auf die Position **1**.

### Festlegen der Bohrtiefe (Abb. G)

- ◆ Lösen Sie den seitlichen Haltegriff (7), indem Sie den Griff gegen den Uhrzeigersinn drehen.
- ◆ Bringen Sie die Tiefenbegrenzung (6) in die gewünschte Position. Die maximale Bohrtiefe entspricht der Entfernung zwischen der Spitze des Bohreinsatzes und dem vorderen Ende der Tiefenbegrenzung.
- ◆ Befestigen Sie den seitlichen Haltegriff, indem Sie den Griff im Uhrzeigersinn drehen.

### Ein- und Ausschalten

- ◆ Um das Gerät einzuschalten, drücken Sie den Ein-/Ausschalter mit Geschwindigkeitsregler (1). Die Geschwindigkeit des Werkzeugs hängt davon ab, wie weit Sie den Schalter eindrücken. Im Allgemeinen sollten Sie langsamere Geschwindigkeiten für Bohreinsätze mit großem Durchmesser und hohe Geschwindigkeiten für Bohreinsätze mit geringerem Durchmesser verwenden.

- ◆ Für das Arbeiten im Dauerbetrieb drücken Sie den Feststellknopf (2) und lassen den Geschwindigkeitsregler los. Diese Option steht nur bei voller Geschwindigkeit im Vorwärts- und Rückwärtsmodus zur Verfügung.
- ◆ Um das Gerät auszuschalten, lassen Sie den Geschwindigkeitsregler los. Wenn sich das Gerät im Dauerbetrieb befindet, müssen Sie zum Ausschalten den Geschwindigkeitsregler erneut drücken und loslassen.

## Zubehör

Das verwendete Zubehör hat wesentlichen Einfluss auf die Leistung des Geräts. Zubehörteile von Black & Decker und Piranha erfüllen höchste Qualitätsstandards und wurden speziell für die Verwendung mit Ihrem Gerät entwickelt. Bei Verwendung dieses Zubehörs erhalten Sie stets optimale Ergebnisse.

## Wartung

Ihr Black & Decker Gerät wurde im Hinblick auf eine lange Lebensdauer und einen möglichst geringen Wartungsaufwand entwickelt. Ein dauerhafter, einwandfreier Betrieb setzt eine regelmäßige Pflege und Reinigung voraus.

**Achtung!** Schalten Sie das Gerät vor der Durchführung von Pflege-, Reinigungs- und Wartungsarbeiten aus, und ziehen Sie den Netzstecker.

- ◆ Reinigen Sie regelmäßig die Lüftungsschlitze des Geräts mit Hilfe einer weichen Bürste oder eines trockenen Tuchs.
- ◆ Reinigen Sie das Motorgehäuse regelmäßig mit einem feuchten Tuch. Verwenden Sie keine scheuernden Reinigungsmittel oder Reinigungsmittel auf Lösungsmittelbasis.
- ◆ Öffnen Sie regelmäßig das Spannfutter, und entfernen Sie durch Klopfen ggf. Staub aus dem Inneren des Geräts.

### Austauschen des Netzsteckers (nur Großbritannien und Irland)

Gehen Sie folgendermaßen vor, wenn ein neuer Netzstecker angeschlossen werden muss:

- ◆ Entsorgen Sie den alten Stecker auf sachgerechte Weise.
- ◆ Verbinden Sie die braune Leitung mit dem spannungsführenden Anschluss des Steckers.
- ◆ Verbinden Sie die blaue Leitung mit dem neutralen Anschluss.

**Achtung!** Der Erdleiter wird nicht angeschlossen. Befolgen Sie die Anleitungen, die dem Stecker beiliegen. Empfohlene Sicherung: 5 A.

**Umweltschutz**



Getrennte Entsorgung. Dieses Produkt darf keinesfalls mit dem Hausmüll entsorgt werden.

Sollten Sie Ihr Black & Decker Produkt eines Tages ersetzen oder nicht mehr benötigen, entsorgen Sie es nicht mit dem Hausmüll. Führen Sie das Produkt einer getrennten Sammlung zu.



Durch die separate Sammlung von ausgedienten Produkten und Verpackungsmaterialien können Rohstoffe recycelt und wiederverwendet werden. Die Wiederverwendung aufbereiteter Materialien trägt zur Vermeidung der Umweltverschmutzung bei und senkt den Rohstoffbedarf.

Die Verordnung zur Abfallentsorgung Ihrer Gemeinde sieht möglicherweise vor, dass Elektrogeräte getrennt vom Hausmüll gesammelt, an der örtlichen Abfallentsorgungseinrichtung abgegeben oder beim Kauf eines neuen Produkts vom Fachhandel zur Entsorgung angenommen werden müssen.

Black & Decker nimmt Ihre ausgedienten Black & Decker Geräte gern zurück und sorgt für eine umweltfreundliche Entsorgung bzw. Wiederverwertung. Um diese Dienstleistung in Anspruch zu nehmen, geben Sie das Gerät bitte bei einer autorisierten Reparaturwerkstatt ab, die die Geräte für Black & Decker sammelt.

Bitte fragen Sie Ihre zuständige Black & Decker Niederlassung (Adresse in dieser Anleitung) nach einer Vertragswerkstatt in Ihrer Nähe. Außerdem ist eine Liste der Vertragswerkstätten und aller Kundendienststellen von Black & Decker sowie der zuständigen Ansprechpartner im Internet zu finden unter: [www.2helpU.com](http://www.2helpU.com).

**Technische Daten**

	CD714 RE TYP 2	CD714 CRE TYP 2	CD714 CRES TYP 2
Eingangsspannung	VAC 230	230	230
Leistungsaufnahme	W 710	710	710
Leerlaufdrehzahl	min <sup>-1</sup> 0 - 2800	0 - 2800	0 - 2800
Maximale Bohrtiefe			
Stahl/Beton	mm 13	13	13
Holz	mm 25	25	25
Gewicht	kg 2,0	2,0	2,0

	KR604 CRES TYP 2	KR654 CRES TYP 2	KR714 CRES TYP 2
Eingangsspannung	VAC 230	230	230
Leistungsaufnahme	W 600	650	710
Leerlaufdrehzahl	min <sup>-1</sup> 0-2800	0-2800	0-2800
Maximale Bohrtiefe			
Stahl/Beton	mm 13	13	13
Holz	mm 20	20	25
Gewicht	kg 2,0	2,0	2,0

Schalldruckpegel gemäß EN 60745:

Schalldruck (L<sub>PA</sub>) 98 dB(A), Unsicherheitsfaktor (K) 3 dB(A)  
Schallleistung (L<sub>WA</sub>) 109 dB(A), Unsicherheitsfaktor (K) 3 dB(A)

Gesamtvibration (Triax-Vektorsumme) gemäß EN 60745:

Betonbohren mit Belastung (a<sub>h</sub>) = 17,88 m/s<sup>2</sup>,  
Unsicherheitsfaktor (K) = 1,5 m/s<sup>2</sup>  
Metallbohren (a<sub>h</sub>) = 3,17 m/s<sup>2</sup>,  
Unsicherheitsfaktor (K) = 1,5 m/s<sup>2</sup>

## EU-Konformitätserklärung

### RICHTLINIE FÜR MASCHINEN



**CD714RE, CD714CRE, CD714CRES,  
KR604CRES, KR654CRES, KR714CRES**

Black & Decker erklärt, dass die unter „Technische Daten“ beschriebenen Produkte den folgenden Normen entsprechen: 2006/42/EG, 2014/30/EU, 2011/65/EU, EN60745-1 und EN60745-2-1

Weitere Informationen erhalten Sie von Black & Decker unter der folgenden Adresse bzw. mithilfe der Angaben auf der Rückseite dieser Anleitung.

Der Unterzeichnete ist verantwortlich für die Zusammenstellung der technischen Daten und gibt diese Erklärung im Namen von Black & Decker ab.

R.Laverick  
Engineering Manager  
Black & Decker Europe, 210 Bath Road, Slough,  
Berkshire, SL1 3YD  
Großbritannien  
11-07-2014

## Garantie

Black & Decker vertraut auf die Qualität der eigenen Geräte und bietet dem Käufer eine außergewöhnliche Garantie. Diese Garantiezusage versteht sich unbeschadet der gesetzlichen Gewährleistungsansprüche und schränkt diese keinesfalls ein. Sie gilt in sämtlichen Mitgliedstaaten der Europäischen Union und der Europäischen Freihandelszone EFTA.

Tritt innerhalb von 24 Monaten ab Kaufdatum an einem Gerät von Black & Decker ein auf Material- oder Verarbeitungsfehler bzw. auf Nichterfüllung von Normen zurückzuführender Mangel auf, garantiert Black & Decker den Austausch defekter Teile, die Reparatur von Geräten mit üblichem Verschleiß bzw. den Austausch eines mangelhaften Geräts, ohne dass dem Kunden dabei mehr als unvermeidlich Unannehmlichkeiten entstehen, allerdings vorbehaltlich folgender Ausnahmen:

- ◆ wenn das Gerät gewerblich, beruflich oder im Verleihgeschäft benutzt wurde;
- ◆ wenn das Gerät missbräuchlich verwendet oder mit mangelnder Sorgfalt behandelt wurde;
- ◆ wenn das Gerät durch Fremdeinwirkung beschädigt wurde;
- ◆ wenn ein unbefugter Reparaturversuch durch anderes Personal als das einer Vertragswerkstatt oder des Black & Decker Kundendienstes unternommen wurde.

Zur Inanspruchnahme dieser Garantie ist dem Verkäufer bzw. der Vertragswerkstatt ein Kaufnachweis vorzulegen. Die Adresse der zuständigen Niederlassung von Black & Decker finden Sie in dieser Anleitung. Von dieser Niederlassung erhalten Sie gerne Informationen zur nächstgelegenen Vertragswerkstatt. Außerdem ist eine Liste der Vertragswerkstätten und aller Kundendienststellen von Black & Decker sowie der zuständigen Ansprechpartner im Internet zu finden unter: **www.2helpU.com**.

Bitte registrieren Sie Ihr neues Black & Decker Produkt auf unserer Website **www.blackanddecker.de**, dort finden Sie auch Informationen über neue Produkte und Sonderangebote. Weitere Informationen über die Marke Black & Decker und unsere Produkte finden Sie unter **www.blackanddecker.de**.



## Utilisation

Votre perceuse Black & Decker a été conçue pour percer le bois, le métal, le plastique et les murs de maçonnerie ainsi que pour visser. Cet outil est destiné à une utilisation exclusivement domestique.

## Consignes de sécurité

### Consignes de sécurité concernant les outils électroportatifs



**Attention ! Lisez avec attention tous les avertissements et toutes les instructions.**

Le non-respect de cette consigne peut entraîner une électrocution, un incendie et/ou de graves blessures.

### Conservez tous les avertissements et instructions pour référence ultérieure.

La notion d' « outil électroportatif » mentionnée par la suite se rapporte à des outils électriques raccordés au secteur (avec câble de raccordement) ou fonctionnant avec batterie (sans fil).

1. **Sécurité de la zone de travail**
  - a. **Maintenez la zone de travail propre et bien éclairée.** Un lieu de travail en désordre ou mal éclairé augmente le risque d'accidents.
  - b. **N'utilisez pas les outils électroportatifs dans un environnement présentant des risques d'explosion, ni en présence de liquides, gaz ou poussières inflammables.** Les outils électroportatifs génèrent des étincelles risquant d'enflammer les poussières ou les vapeurs.
  - c. **Pendant l'utilisation d'un outil électroportatif, les enfants et autres personnes doivent rester éloignés.** En cas d'inattention, vous risquez de perdre le contrôle de l'outil.
2. **Sécurité électrique**
  - a. **La prise de l'outil électroportatif doit convenir à la prise de courant. Ne modifiez en aucun cas la prise. N'utilisez pas de prises d'adaptateur avec des outils ayant une prise de terre.** Le respect de ces consignes réduit le risque de choc électrique.
  - b. **Évitez le contact physique avec des surfaces mises à la terre telles que tuyaux, radiateurs, fours et réfrigérateurs.** Le risque de choc électrique augmente si votre corps est relié à la terre.
  - c. **N'exposez pas l'outil électroportatif à la pluie ni à l'humidité.** La pénétration d'eau dans un outil électroportatif augmente le risque de choc électrique.
  - d. **Préservez le câble d'alimentation. N'utilisez pas le câble pour porter l'outil, pour l'accrocher ou encore pour le débrancher. Maintenez le câble éloigné des sources de chaleurs, des parties huilées, des bords tranchants ou des parties de l'outil en rotation.** Le risque de choc électrique augmente si les câbles sont endommagés ou emmêlés.
- e. **Si vous utilisez l'outil électroportatif à l'extérieur, utilisez une rallonge homologuée pour utilisation à l'air libre.** L'utilisation d'une rallonge électrique homologuée pour les travaux à l'extérieur réduit le risque de choc électrique.
- f. **Si l'outil doit être utilisé dans un endroit humide, prenez les précautions nécessaires en utilisant un dispositif à courant résiduel (RCD).** L'utilisation d'un tel dispositif réduit les risques d'électrocution.
3. **Sécurité personnelle**
  - a. **Restez vigilant, surveillez ce que vous faites. Faites preuve de bon sens quand vous utilisez un outil électroportatif. N'utilisez pas l'outil lorsque vous êtes fatigué ou après avoir consommé de l'alcool ainsi que des médicaments.** Un moment d'inattention lors de l'utilisation de l'outil peut entraîner de graves blessures.
  - b. **Portez un équipement de protection. Portez toujours des lunettes de protection.** Selon le travail à effectuer, le port d'équipement de protection tels que masque anti-poussières, chaussures de sécurité antidérapantes, casque ou protection auditive, réduit le risque de blessures.
  - c. **Évitez un démarrage imprévu. L'outil doit être en position OFF (arrêt) avant d'effectuer le branchement à l'alimentation et/ou au bloc-batterie, de le ramasser ou de le porter.** Ne laissez pas votre doigt sur le bouton de commande, ceci peut être à l'origine d'accidents.
  - d. **Retirez tout outil ou clé de réglage avant de mettre l'outil en marche.** Une clé ou un outil se trouvant sur une partie en rotation peut causer des blessures.
  - e. **Adoptez une position confortable. Adoptez une position stable et gardez votre équilibre en permanence.** Vous contrôlerez ainsi mieux l'outil dans des situations inattendues.
  - f. **Portez des vêtements appropriés. Ne pas porter de vêtements amples ou de bijoux. N'approchez pas les cheveux, vêtements ou gants des parties des pièces mobiles.** Les vêtements amples, les bijoux ou les cheveux longs peuvent se prendre dans les pièces en mouvement.
  - g. **En cas d'utilisation d'appareils servant à aspirer ou à recueillir les poussières, assurez-vous qu'ils sont correctement raccordés et utilisés.** L'utilisation de tels appareils permet de réduire les dangers liés aux poussières.
4. **Utilisation des outils électroportatifs et précautions**
  - a. **Respectez la capacité de l'outil. Utilisez l'outil électroportatif approprié pour le travail à effectuer.** Avec un outil approprié, vous travaillerez mieux et en toute sécurité.



- b. **N'utilisez pas un outil électroportatif dont le bouton marche/arrêt est défectueux.** Un outil électroportatif qui ne peut plus être mis en marche ou arrêté est dangereux et doit être réparé.
  - c. **Retirez la prise de courant et/ou débranchez le bloc-batterie avant d'effectuer des réglages, de changer les accessoires ou de ranger l'outil.** Cette mesure de précaution empêche de mettre l'outil en marche accidentellement.
  - d. **Rangez les outils électroportatifs hors de portée des enfants. Les personnes ne connaissant pas l'outil ou n'ayant pas lu ces instructions ne doivent en aucun cas l'utiliser.** Les outils électroportatifs sont dangereux lorsqu'ils sont utilisés par des personnes non initiées.
  - e. **Prenez soin des outils électroportatifs. Vérifiez que les parties en mouvement fonctionnent correctement et qu'elles ne sont pas coincées. Vérifiez qu'il n'y a pas de pièces cassées ou endommagées susceptibles de nuire au bon fonctionnement de l'outil. S'il est endommagé, faites réparer l'outil avant de l'utiliser.** De nombreux accidents sont la conséquence d'outils mal entretenus.
  - f. **Maintenez les outils de coupe aiguisés et propres.** Des outils soigneusement entretenus avec des bords tranchants bien aiguisés se coincent moins souvent et peuvent être guidés plus facilement.
  - g. **Utilisez les outils électroportatifs, les accessoires, etc. en suivant ces instructions et en tenant compte des conditions de travail, ainsi que du travail à effectuer.** L'utilisation des outils électroportatifs à d'autres fins que celles prévues peut vous mettre en situation dangereuse.
5. **Réparations**
- a. **Faites réparer votre outil électroportatif uniquement par du personnel qualifié et seulement avec des pièces de rechange appropriées.** La fiabilité de l'outil sera ainsi maintenue.

#### Consignes de sécurité supplémentaires concernant les outils électroportatifs



**Attention !** Prendre encore plus de précautions pour les perceuses et les perceuses à percussion.

- ◆ **Portez un serre-tête antibruit si vous utilisez une perceuse à percussion.** L'exposition au bruit peut entraîner la perte de l'ouïe.
- ◆ **Utilisez les poignées auxiliaires livrées avec l'outil.** La perte de contrôle peut entraîner des blessures.

- ◆ **Tenez l'outil au niveau des surfaces de prise isolées. Ceci permet d'éviter les accidents en cas de contact de l'accessoire de coupe avec des fils cachés ou son propre câble.** En touchant un fil sous tension, la charge électrique passe dans les parties métalliques de l'outil électroportatif et il y a risque de choc électrique.
- ◆ **Utilisez des pinces ou autres pour fixer et soutenir la pièce de manière stable.** Si vous la tenez à la main ou contre votre corps, elle ne sera pas stable et vous pouvez en perdre le contrôle.
- ◆ Avant de percer les murs, les planchers ou les plafonds, vérifiez l'emplacement des câblages et des tuyaux.
- ◆ Évitez de toucher le bout d'un foret juste après avoir percé. Il peut être chaud.
- ◆ Ce manuel d'instruction décrit comment utiliser cet outil. L'utilisation d'un accessoire ou d'une fixation, ou bien l'utilisation de cet outil à d'autres fins que celles recommandées dans ce manuel d'instructions peut entraîner des blessures et/ou des dommages matériels.

#### Sécurité pour autrui

- ◆ Cet outil ne peut être utilisé par des personnes (y compris des enfants) ayant des capacités mentales, sensorielles ou physiques réduites, ou celles manquant d'expérience et de connaissances, à moins qu'elles ne soient encadrées ou qu'elles n'aient été formées à l'utilisation de l'outil par une personne responsable de leur sécurité.
- ◆ Ne laissez jamais les enfants sans surveillance pour éviter qu'ils ne jouent avec cet outil.

#### Vibration

La valeur des émissions de vibration déclarée dans la section Déclaration/Données techniques de conformité a été mesurée selon une méthode d'essai standard fournie par la norme EN60745 et peut être utilisée pour comparer un outil à un autre. Elle peut aussi être utilisée pour une évaluation préliminaire à l'exposition.

**Attention !** Selon la manière dont l'outil est utilisé, la valeur des émissions de vibration pendant l'utilisation en cours de l'outil peut être différente de la valeur déclarée. Le niveau de vibration peut augmenter au-dessus du niveau établi.

Quand l'exposition aux vibrations est évaluée afin de déterminer les mesures de sécurité requises par la norme 2002/44/CE pour protéger les personnes utilisant régulièrement des outils électroportatifs, une estimation de l'exposition aux vibrations doit tenir compte des conditions actuelles d'utilisation et de la manière dont l'outil est utilisé. Il faut aussi tenir compte de toutes les parties du cycle de fonctionnement comme la durée pendant laquelle l'outil est arrêté et quand il fonctionne au ralenti, ainsi que la durée du déclenchement.

## Étiquettes sur les outils

Les pictogrammes ci-dessous se trouvent sur l'outil.



**Attention !** Pour réduire le risque de blessures, l'utilisateur doit lire le manuel d'instruction.

## Sécurité électrique



Cet outil est doublement isolé. Par conséquent, aucun câble de mise à la terre n'est nécessaire.

Vérifiez si l'alimentation mentionnée sur la plaque signalétique de l'outil correspond bien à la tension présente sur le lieu.

- ◆ Si le câble d'alimentation est endommagé, il doit être remplacé par le fabricant ou par un centre de réparation agréé Black & Decker pour éviter tout risque.

## Éléments

1. Sélecteur de vitesse
2. Bouton de verrouillage
3. Bouton de commande avant/arrière
4. Sélecteur de mode de perçage
5. Mandrin
6. Butée de profondeur (sur certains modèles uniquement)
7. Poignée latérale (sur certains modèles uniquement)

### Figure B

8. Bouton de verrouillage manuel de l'axe (mandrin auto-serrant à manchon unique)

## Assemblage

**Attention !** Avant l'assemblage, assurez-vous que l'outil est éteint et débranché.

### Installation de la poignée latérale et de la butée de profondeur (figure A)

- ◆ Tournez le manche dans le sens inverse des aiguilles d'une montre jusqu'à ce que la poignée latérale (7) puisse glisser sur l'avant de l'outil, comme indiqué.
- ◆ Tournez la poignée latérale dans la position désirée.
- ◆ Insérez la butée de profondeur (6) dans l'orifice de montage, comme indiqué.
- ◆ Ajustez la profondeur de perçage comme décrit ci-dessous.
- ◆ Serrez la poignée latérale en tournant le manche dans le sens des aiguilles d'une montre.

## Installation d'un foret

### Mandrin auto-serrant à manchon unique (figure B)

- ◆ Ouvrez le mandrin en appuyant sur le bouton de verrouillage manuel de l'axe (8) et en tournant le manchon (9) dans le sens des aiguilles d'une montre.
- ◆ Insérez la tige du foret (12) dans le mandrin.

- ◆ Serrez fermement le mandrin en appuyant sur le bouton de verrouillage manuel de l'axe (8) et en tournant le manchon dans le sens des aiguilles d'une montre jusqu'au serrage maximal.

### Mandrin auto-serrant à double manchon (figure C)

- ◆ Ouvrez le mandrin en tournant la partie avant (10) avec une main tout en maintenant la partie arrière (11) de l'autre main.
- ◆ Insérez la tige du foret (12) dans le mandrin. Serrez ensuite le mandrin fermement.

### Mandrin à clé (figure D)

- ◆ Ouvrez le mandrin en tournant le manchon (11) dans le sens inverse des aiguilles d'une montre.
- ◆ Insérez la tige du foret (12) dans le mandrin.
- ◆ Insérez la clé du mandrin (14) dans chaque trou (15) sur le côté du mandrin et tournez dans le sens des aiguilles d'une montre pour serrer.

### Retrait et réinstallation du mandrin (figure E)

- ◆ Ouvrez le mandrin le plus possible.
- ◆ Retirez la vis de fixation à l'intérieur du mandrin en la tournant dans le sens des aiguilles d'une montre avec un tournevis.
- ◆ Serrez une clé Allen dans le mandrin. Terminez le serrage en tapant avec un marteau, comme indiqué.
- ◆ Retirez la clé Allen.
- ◆ Retirez le mandrin en le tournant dans le sens inverse des aiguilles d'une montre.
- ◆ Pour remplacer le mandrin, vissez-le sur l'axe et utilisez la vis de fixation pour le serrer.

## Utilisation

**Attention !** Laissez l'outil fonctionner à sa propre vitesse. Ne le poussez pas au-delà de sa limite.

**Attention !** Avant de percer les murs, les planchers ou les plafonds, vérifiez l'emplacement des câblages et des tuyaux.

### Sélection du sens de rotation (figure F)

Pour percer ou pour serrer les vis, utilisez la rotation dans le sens des aiguilles d'une montre. Pour desserrer les vis ou retirer un foret bloqué, utilisez la rotation dans le sens inverse des aiguilles d'une montre.

- ◆ Pour sélectionner la rotation dans le sens des aiguilles d'une montre, poussez le bouton de commande avant/arrière (3) vers la gauche.
- ◆ Pour sélectionner la rotation dans le sens inverse des aiguilles d'une montre, poussez le bouton de commande avant/arrière (3) vers la droite.

**Attention !** Ne changez jamais le sens de rotation quand le moteur tourne.

### Sélection du mode de perçage

- ◆ Pour percer de la pierre, réglez le sélecteur de mode de perçage (4) sur **T**.
- ◆ Pour percer d'autres matériaux et pour visser, réglez le sélecteur de mode de perçage sur **1**.

### Réglage de la profondeur de perçage (figure G)

- ◆ Relâchez la poignée latérale (7) en tournant le manche dans le sens inverse des aiguilles d'une montre.
- ◆ Réglez la butée de profondeur (6) à la position désirée. La profondeur de perçage maximale est égale à la distance entre le bout du foret et l'extrémité avant de la butée de profondeur.
- ◆ Serrez la poignée latérale en tournant le manche dans le sens des aiguilles d'une montre.

### Mise en marche et arrêt

- ◆ Pour mettre l'outil en marche, appuyez sur le sélecteur de vitesse (1). La vitesse de l'outil dépend de la pression sur le bouton. Normalement, les vitesses lentes correspondent aux forets à large diamètre et les vitesses rapides aux forets de faible diamètre.
- ◆ En mode continu, appuyez sur le bouton de verrouillage (2) et relâchez le sélecteur de vitesse. Cette option n'est disponible qu'à la vitesse maximale en mode avant/arrière.
- ◆ Pour arrêter l'outil, relâchez le sélecteur de vitesse. Pour arrêter l'outil quand celui-ci est en mode continu, appuyez de nouveau sur le sélecteur, puis relâchez-le.

### Accessoires

La qualité du travail réalisé par votre outil dépend des accessoires utilisés. Les accessoires Black & Decker et Piranha correspondent aux normes de qualité supérieure et sont conçus pour donner le meilleur résultat possible. En utilisant ces accessoires, votre outil vous donnera entière satisfaction.

### Entretien

Votre outil Black & Decker a été conçu pour fonctionner pendant longtemps avec un minimum d'entretien. Un fonctionnement continu satisfaisant dépend d'un nettoyage régulier et d'un entretien approprié de l'outil.

**Attention !** Préalablement à toute opération d'entretien, éteignez et débranchez l'outil.

- ◆ Nettoyez régulièrement les orifices de ventilation de votre outil à l'aide d'une brosse souple ou d'un chiffon sec.
- ◆ Nettoyez régulièrement le compartiment du moteur à l'aide d'un chiffon humide. N'utilisez pas de produit abrasif ou à base de solvant.
- ◆ Ouvrez régulièrement le mandrin et retirez la poussière à l'intérieur en le tapant (si installé).

### Remplacement des prises secteur (RU et Irlande uniquement)

Si une nouvelle prise doit être installée :

- ◆ Mettez au rebut la vieille prise.
- ◆ Branchez le fil brun dans la borne de la nouvelle prise.
- ◆ Branchez le fil bleu à la borne neutre.

**Attention !** Aucune connexion ne doit être faite à la borne de terre. Suivez les instructions de montage fournies avec les prises de bonne qualité. Fusibles recommandés : 5 A.

### Protection de l'environnement



Recyclage. Cet outil ne doit pas être jeté avec les déchets ménagers.

Si votre outil Black & Decker doit être remplacé ou si vous n'en avez plus l'usage, ne le jetez pas avec les ordures ménagères. Songez à la protection de l'environnement et recyclez-les.



La collecte séparée des produits et des emballages usagés permet de recycler et de réutiliser des matériaux. La réutilisation de matériaux recyclés évite la pollution de l'environnement et réduit la demande de matières premières.

Des réglementations locales peuvent stipuler la collecte séparée des produits électriques et des produits ménagers, dans des déchetteries municipales ou par le revendeur lorsque vous achetez un nouveau produit.

Black & Decker offre une solution permettant de recycler les produits Black & Decker lorsqu'ils ont atteint la fin de leur cycle de vie. Pour pouvoir profiter de ce service, veuillez retourner votre produit à un réparateur agréé qui se chargera de le collecter pour nous.

Pour connaître l'adresse du réparateur agréé le plus proche de chez vous, contactez le bureau Black & Decker à l'adresse indiquée dans ce manuel. Vous pourrez aussi trouver une liste de réparateurs agréés de Black & Decker et de plus amples détails sur notre service après-vente sur le site Internet à l'adresse suivante : [www.2helpU.com](http://www.2helpU.com).

### Caractéristiques techniques

	<b>CD714 RE TYPE 2</b>	<b>CD714 CRE TYPE 2</b>	<b>CD714 CRES TYPE 2</b>
Tension d'entrée	V c.a. 230	230	230
Puissance	W 710	710	710
Aucune vit. de charge	min <sup>-1</sup> 0-2800	0-2800	0-2800
Cap. max perçage			
Béton/Acier	mm 13	13	13
Bois	mm 25	25	25
Poids	kg 2,0	2,0	2,0

	<b>KR604 CRES TYPE 2</b>	<b>KR654 CRES TYPE 2</b>	<b>KR714 CRES TYPE 2</b>
Tension d'entrée	V c.a. 230	230	230
Puissance	W 600	650	710
Aucune vit. de charge	min <sup>-1</sup> 0-2800	0-2800	0-2800
Cap. max perçage			
Béton/Acier	mm 13	13	13
Bois	mm 20	20	25
Poids	kg 2,0	2,0	2,0

Niveau de pression sonore selon la norme EN 60745:  
 Pression sonore ( $L_{pA}$ ) 98 dB(A), incertitude (K) 3 dB(A)  
 Puissance acoustique ( $L_{WA}$ ) 109 dB(A),  
 incertitude (K) 3 dB(A)

Valeur totale des vibrations (somme vectorielle triaxiale)  
 selon la norme EN60745:

Impact de perçage dans le béton ( $a_h$ ) = 17,88 m/s<sup>2</sup>,  
 Incertitude (K) = 1,5 m/s<sup>2</sup>  
 Perçage dans le métal ( $a_h$ ) = 3,17 m/s<sup>2</sup>,  
 incertitude (K) = 1,5 m/s<sup>2</sup>

## Déclaration de conformité CE

DIRECTIVES DE MACHINERIE



**CD714RE, CD714CRE, CD714CRES,  
KR604CRES, KR654CRES, KR714CRES**

Black & Decker déclare que les produits décrits sur la fiche technique sont conformes à la norme :  
2006/42/CE, 2014/30/UE, 2011/65/UE,  
EN60745-1 et EN60745-2-1

Pour plus de renseignements, veuillez contacter  
Black & Decker à l'adresse suivante ou reportez-vous au  
dos du manuel.

Le soussigné est responsable des données de la fiche  
technique et fait cette déclaration au nom de Black & Decker

R.Laverick  
Engineering Manager  
Black & Decker Europe, 210 Bath Road, Slough,  
Berkshire, SL1 3YD  
Royaume-Uni  
11-07-2014

### Garantie

Black & Decker assure la qualité de ses produits et vous offre une garantie très élargie. Ce certificat de garantie est un document supplémentaire et ne peut en aucun cas se substituer aux droits accordés par la loi. La garantie est valable sur tout le territoire des États Membres de l'Union Européenne et de la Zone de Libre Échange Européenne. Si un produit Black & Decker s'avère défectueux en raison de matériaux en mauvais état, d'une erreur humaine, ou d'un manque de conformité dans les 24 mois suivant la date d'achat, Black & Decker garantit le remplacement des pièces défectueuses, la réparation des produits usés ou cassés ou remplace ces produits à la convenance du client, sauf dans les circonstances suivantes :

- ◆ Le produit a été utilisé dans un but commercial, professionnel, ou a été loué.
- ◆ Le produit a été mal utilisé ou avec négligence.
- ◆ Le produit a subi des dommages à cause de corps étrangers, de substances ou d'accidents.
- ◆ Des réparations ont été tentées par des techniciens ne faisant pas partie du service technique de Black & Decker.

Pour avoir recours à la garantie, il est nécessaire de fournir une preuve d'achat au vendeur ou à un réparateur agréé. Pour connaître l'adresse du réparateur agréé le plus proche de chez vous, contactez le bureau Black & Decker à l'adresse indiquée dans ce manuel. Vous pourrez aussi trouver une liste de réparateurs agréés de Black & Decker et de plus amples détails sur notre service après-vente sur le site Internet à l'adresse suivante : [www.2helpU.com](http://www.2helpU.com).

Visitez notre site Web [www.blackanddecker.fr](http://www.blackanddecker.fr) pour enregistrer votre nouveau produit Black & Decker et être informé des nouveaux produits et des offres spéciales. Pour plus d'informations concernant la marque Black & Decker et notre gamme de produits, consultez notre site [www.blackanddecker.fr](http://www.blackanddecker.fr).

## Uso previsto

Il trapano a percussione Black & Decker è stato progettato per trapanare legno, metallo, plastica e muratura oltre che per avvitare. L'elettrodomestico è stato progettato per un uso individuale.

## Istruzioni di sicurezza

### Avvisi di sicurezza generici per gli elettrodomestici



**Attenzione! Leggere tutti gli avvisi di sicurezza e tutte le istruzioni.** La mancata osservanza di tutte le istruzioni potrebbe causare scosse elettriche, incendi e/o infortuni gravi.

### Conservare tutte le istruzioni e gli avvisi per futura consultazione.

Il termine "elettrodomestico" che ricorre in tutte le avvertenze seguenti si riferisce ad utensili elettrici alimentati dalla rete (con filo) o a batteria (senza filo).

1. **Sicurezza nella zona di lavoro**
  - a. **Tenere la zona di lavoro pulita e ben illuminata.** Disordine e scarsa illuminazione possono causare incidenti.
  - b. **Evitare d'impiegare gli elettrodomestici in ambienti esposti a rischio di esplosione, ad esempio in presenza di liquidi, gas o polveri infiammabili.** Gli elettrodomestici producono scintille che possono far infiammare la polvere o i fumi.
  - c. **Mantenere lontani bambini e astanti mentre si usa l'elettrodomestico.** Eventuali distrazioni possono comportare la perdita del controllo dell'elettrodomestico.
2. **Sicurezza elettrica**
  - a. **Le spine elettriche degli elettrodomestici devono essere adatte alla presa. Evitare assolutamente di modificare la spina. Non impiegare adattatori con elettrodomestici provvisti di messa a terra.** L'uso di spine inalterate e delle prese corrispondenti riduce il rischio di scosse elettriche.
  - b. **Evitare il contatto fisico con superfici collegate a terra, come tubi, radiatori, forni e frigoriferi.** Un corpo collegato a terra è esposto maggiormente al rischio di scosse elettriche.
  - c. **Custodire gli elettrodomestici al riparo dalla pioggia o dall'umidità.** L'eventuale infiltrazione di acqua in un elettrodomestico va ad aumentare il rischio di scosse elettriche.
3. **Sicurezza delle persone**
  - a. **È importante concentrarsi su ciò che si sta facendo e maneggiare con giudizio l'elettrodomestico. Non adoperare l'elettrodomestico se si è stanchi o sotto l'effetto di stupefacenti, alcol o medicinali.** Un attimo di distrazione durante l'uso dell'elettrodomestico può causare gravi infortuni personali.
  - b. **Usare un equipaggiamento di protezione personale. Indossare sempre occhiali di sicurezza.** Se si avrà cura d'indossare l'equipaggiamento protettivo come necessario, ad esempio una maschera antipolvere, delle calzature antiscivolo, un casco o delle otoprotezioni, si ridurrà il rischio di infortuni.
  - c. **Impedire l'avviamento involontario. Accertarsi che l'interruttore di accensione sia spento prima di collegare l'elettrodomestico all'alimentazione elettrica e/o al battery pack, di prenderlo in mano o di trasportarlo.** Per non esporsi al rischio di incidenti, non trasportare gli elettrodomestici tenendo le dita sull'interruttore oppure, se sono collegati a un'alimentazione elettrica, con l'interruttore acceso.
  - d. **Prima di accendere un elettrodomestico, togliere eventuali chiavi o attrezzi di regolazione.** Un attrezzo o una chiave lasciati in un componente mobile dell'elettrodomestico possono causare infortuni.
  - e. **Non sporgersi. Mantenere sempre un buon equilibrio evitando posizioni instabili.** In questo modo è possibile controllare meglio l'elettrodomestico in situazioni inaspettate.
  - f. **Vestirsi adeguatamente. Evitare di indossare indumenti larghi o gioielli. Tenere capelli, capi di vestiario e guanti lontani da parti in movimento.** Indumenti larghi, gioielli o capelli lunghi possono impigliarsi nelle parti in movimento.
- d. **Non utilizzare il cavo in modo improprio. Non usare il cavo per trasportare o trainare l'elettrodomestico e non tirarlo per estrarre la spina dalla presa di corrente. Mantenere il cavo al riparo da calore, olio, bordi taglienti e/o da parti in movimento.** I cavi danneggiati o aggrovigliati aumentano il rischio di scosse elettriche.
- e. **Se l'elettrodomestico viene adoperato all'aperto, usare esclusivamente prolunghe omologate per l'impiego all'esterno.** Un cavo adatto per uso esterno riduce il rischio di scosse elettriche.
- f. **Se non è possibile evitare di lavorare in una zona umida, usare un'alimentazione elettrica protetta da un dispositivo a corrente residua (RCD).** L'uso di un dispositivo RCD riduce il rischio di scosse elettriche.

- g. **Se gli elettrotensili sono provvisti di attacchi per il collegamento di dispositivi di aspirazione o di raccolta della polvere, assicurarsi che questi siano installati e utilizzati correttamente.** L'impiego dei suddetti dispositivi diminuisce i rischi correlati alle polveri.
4. **Uso e cura degli elettrotensili**
- a. **Non sovraccaricare l'elettrotensile. Usare l'elettrotensile adatto per il lavoro da eseguire.** Utilizzando l'elettrotensile adatto si potrà lavorare meglio e con maggiore sicurezza alla potenza nominale prevista.
- b. **Non utilizzare elettrotensili con interruttori difettosi.** Un elettrotensile che non può essere controllato mediante l'interruttore è pericoloso e deve essere riparato.
- c. **Scollegare la spina dalla presa di corrente e/o il battery pack dall'elettrotensile prima di regolarlo, di sostituirne gli accessori o di riporlo.** Queste precauzioni di sicurezza riducono le possibilità che l'elettrotensile venga messo in funzione inavvertitamente.
- d. **Quando non vengono usati, gli elettrotensili devono essere custoditi fuori della portata dei bambini. Non consentire l'uso dell'elettrotensile a persone inesperte o che non abbiano letto le presenti istruzioni.** Gli elettrotensili risultano pericolosi se usati da persone inesperte.
- e. **Sottoporre gli elettrotensili a opportune procedure di manutenzione. Verificare che le parti mobili siano bene allineate e non inceppate, che non vi siano componenti rotti e che non sussistano altre condizioni che possono compromettere il funzionamento dell'elettrotensile. In caso di danni, riparare l'elettrotensile prima dell'uso.** La scarsa manutenzione causa molti incidenti.
- f. **Mantenere affilati e puliti gli utensili da taglio.** Se sottoposti alla giusta manutenzione, gli utensili da taglio con taglienti affilati si inceppano meno frequentemente e sono più facili da manovrare.
- g. **Utilizzare l'elettrotensile, gli accessori e le punte in conformità alle presenti istruzioni, tenendo conto delle condizioni di lavoro e del lavoro da completare.** L'impiego dell'elettrotensile per usi diversi da quelli consentiti può dar luogo a situazioni pericolose.

## 5. Riparazioni

- a. **Fare riparare l'elettrotensile solo ed esclusivamente da personale specializzato e solo impiegando pezzi di ricambio originali,** per garantirne la sicurezza.

### Altri avvisi di sicurezza per gli elettrotensili



**Attenzione!** Altri avvisi di sicurezza per i trapani normali e quelli a percussione.

- ◆ **Indossare otoprotezioni quando si usano i trapani a percussione.** L'esposizione al rumore può causare la perdita dell'udito.
- ◆ **Usare le impugnature ausiliarie fornite con l'elettrotensile.** La perdita di controllo può causare lesioni personali.
- ◆ **Tenere l'elettrotensile afferrandone l'impugnatura provvista di materiale isolante se vi è la possibilità che la punta da trapano possa venire a contatto di cavi nascosti o del filo di alimentazione.** Il contatto tra la punta da trapano e un filo sotto tensione mette sotto tensione le parti metalliche esposte dell'elettrotensile e potrebbe esporre l'operatore a scosse elettriche.
- ◆ **Usare morsetti o altri metodi pratici per fissare e sorreggere il pezzo in lavorazione su di una base stabile.** Un pezzo tenuto in mano o contro il corpo, può diventare poco stabile e causare la perdita di controllo.
- ◆ Prima di trapanare pareti, pavimenti o soffitti, controllare l'ubicazione di fili e tubazioni.
- ◆ Evitare di toccare la punta di una punta da trapano subito dopo la trapanatura, dato che potrebbe essere calda.
- ◆ L'uso previsto è descritto nel presente manuale d'uso. Se questo elettrotensile viene usato con accessori o per usi diversi da quelli raccomandati nel presente manuale d'uso, si potrebbero verificare lesioni personali e/o danni alle cose.

### Sicurezza altrui

- ◆ Questo elettrotensile non è stato progettato per impiego da parte di persone (o bambini) portatrici di handicap fisici, psichici o sensoriali o che non abbiano la dovuta esperienza o conoscenza, a meno che non siano seguite o opportunamente istruite sul suo impiego da parte di una persona responsabile della loro sicurezza.
- ◆ Controllare che i bambini non giochino con l'elettrotensile.

## Vibrazioni

I valori dichiarati delle emissioni di vibrazioni al paragrafo Dati tecnici e nella Dichiarazione di conformità del presente manuale sono stati misurati in base al metodo di test standard previsto dalla normativa EN 60745 e possono essere usati come parametri di confronto tra due utensili. Il valore delle emissioni di vibrazioni dichiarato può anche essere usato come valutazione preliminare dell'esposizione.

**Attenzione!** Il valore delle emissioni di vibrazioni durante l'impiego effettivo dell'elettro utensile può variare da quello dichiarato a seconda della modalità d'uso. Il livello delle vibrazioni può aumentare oltre il livello dichiarato.

Quando si valuta l'esposizione alle vibrazioni per determinare le misure di sicurezza richieste in conformità alla normativa 2002/44/CE e destinate alla protezione delle persone che usano regolarmente gli elettro utensili nello svolgimento delle proprie mansioni, è necessario prendere in considerazione le condizioni effettive di utilizzo e il modo in cui l'utensile è usato, oltre a tenere presenti tutte le componenti del ciclo operativo, vale a dire i periodi in cui l'elettro utensile è spento, quelli in cui è acceso, ma a riposo e quelli in cui è effettivamente utilizzato.

## Etichette sugli elettro utensili

Sull'elettro utensile appaiono i seguenti pittogrammi.



**Attenzione!** Per ridurre il rischio di lesioni, l'utente deve leggere il manuale d'uso.

## Sicurezza elettrica



Il doppio isolamento di cui è provvisto l'elettro utensile rende superfluo il filo di terra. Controllare sempre che l'alimentazione corrisponda alla tensione indicata sulla targhetta delle caratteristiche.

- ◆ In caso di danneggiamento del filo di alimentazione, è necessario farlo riparare dal fabbricante o presso un centro assistenza Black & Decker autorizzato in modo da evitare eventuali pericoli.

## Caratteristiche

1. Interruttore a velocità variabile
2. Pulsante di bloccaggio
3. Pulsante avanti/indietro
4. Selettore modalità di trapanatura
5. Mandrino portapunta
6. Arresto di profondità (non tutti i modelli)
7. Impugnatura laterale (non tutti i modelli)

### fig. B

8. Pulsante di blocco alberino manuale (solo mandrino portapunta a serraggio senza chiave con manicotto unico)

## Assemblaggio

**Attenzione!** Prima dell'assemblaggio assicurarsi che l'elettro utensile sia spento e scollegato dall'alimentazione.

### Montaggio dell'impugnatura laterale e dell'arresto di profondità (fig. A)

- ◆ Ruotare il manico in senso antiorario fino a quando è possibile infilare l'impugnatura laterale (7) sulla parte anteriore dell'elettro utensile come illustrato.
- ◆ Ruotare l'impugnatura laterale nella posizione desiderata.
- ◆ Inserire l'arresto di profondità (6) nel foro di fissaggio come illustrato.
- ◆ Regolare la profondità di trapanatura come descritto di seguito.
- ◆ Serrare l'impugnatura laterale ruotando il manico in senso orario.

## Montaggio di una punta da trapano

### Mandrino portapunta a serraggio senza chiave con manicotto unico (fig. B)

- ◆ Aprire il mandrino portapunta premendo il pulsante di blocco dell'alberino manuale (8) e ruotando il manicotto (9) in senso antiorario.
- ◆ Inserire il codolo della punta (12) nel mandrino portapunta.
- ◆ Serrare saldamente il mandrino portapunta premendo il pulsante di blocco dell'alberino manuale (8) e ruotando il manicotto in senso orario fino a quando è stretto bene.

### Mandrino portapunta a serraggio senza chiave con due manicotti (fig. C)

- ◆ Aprire il mandrino portapunta ruotando la parte anteriore (10) con una mano e tenendo al tempo stesso quella posteriore (11) con l'altra.
- ◆ Inserire il codolo della punta (12) nel mandrino portapunta e serrare quest'ultimo con forza.

### Mandrino portapunta con chiave (fig. D)

- ◆ Aprire il mandrino portapunta ruotando il manicotto (11) in senso antiorario.
- ◆ Inserire il codolo della punta (12) nel mandrino portapunta.
- ◆ Inserire la chiave del mandrino portapunta (14) in uno dei fori (15) laterali del mandrino e ruotare in senso orario sino a quando il mandrino è stretto bene.

### Smontaggio e rimontaggio del mandrino portapunta (fig. E)

- ◆ Aprire il più possibile il mandrino portapunta.
- ◆ Svitare la vite di ritenuta del mandrino portapunta situata sul mandrino stesso, ruotandola in senso orario con un cacciavite.
- ◆ Serrare una chiave Allen nel mandrino portapunta e colpirla con un martello come illustrato.
- ◆ Rimuovere la chiave Allen.



- ◆ Smontare il mandrino portapunta ruotandolo in senso antiorario.
- ◆ Per rimontare il mandrino, avvitare sull'alberino e fissarlo con la relativa vite di ritenuta.

## Utilizzo

**Attenzione!** Lasciare che l'elettrotensile funzioni al suo ritmo. Non sovraccaricare l'elettrotensile.

**Attenzione!** Prima di trapanare pareti, pavimenti o soffitti, controllare l'ubicazione di fili e tubazioni.

### Selezione della direzione di rotazione (fig. F)

Per la trapanatura e per l'avvitatura usare la rotazione in avanti (senso orario). Per allentare le viti o per rimuovere punte da trapano incastrate, usare la rotazione indietro (senso antiorario).

- ◆ Per selezionare la rotazione in avanti, spingere il pulsante avanti/indietro (3) verso sinistra.
- ◆ Per selezionare la rotazione indietro, spingere il pulsante avanti/indietro verso destra.

**Attenzione!** Non cambiare mai la direzione di rotazione quando il motore è in funzione.

### Selezione della modalità di trapanatura

- ◆ Per trapanare murature, regolare il selettore della modalità di trapanatura (4) sulla posizione **T**.
- ◆ Per trapanare altri materiali e per l'avvitatura, regolare il selettore della modalità di trapanatura sulla posizione **1**.

### Regolazione della profondità di trapanatura (fig. G)

- ◆ Allentare l'impugnatura laterale (7) ruotando il manico in senso antiorario.
- ◆ Regolare l'arresto di profondità (6) sulla posizione desiderata. La profondità di trapanatura massima è pari alla distanza tra la punta della punta da trapano e l'estremità frontale dell'arresto di profondità.
- ◆ Serrare l'impugnatura laterale ruotando il manico in senso orario.

### Accensione e spegnimento.

- ◆ Per accendere l'elettrotensile, premere l'interruttore a velocità variabile (1). La velocità dell'elettrotensile dipende dal tipo di pressione esercitata sull'interruttore. Di regola, usare velocità basse per le punte da trapano di grosso diametro e velocità alte per quelle di diametro più piccolo.
- ◆ Per il funzionamento continuo, premere il pulsante di bloccaggio (2) e rilasciare l'interruttore a velocità variabile. Questa opzione è disponibile solo alla massima velocità in entrambe le modalità avanti e indietro.
- ◆ Per spegnere l'elettrotensile, rilasciare l'interruttore di accensione a velocità variabile. Per spegnere l'elettrotensile durante il funzionamento continuo, premere di nuovo l'interruttore a velocità variabile e rilasciarlo.

## Accessori

Le prestazioni dell'elettrotensile dipendono dall'accessorio usato. Gli accessori Black & Decker e Piranha sono stati fabbricati in base a standard qualitativi elevati e sono stati progettati per ottenere le migliori prestazioni dall'elettrotensile. Usando questi accessori, otterrete il meglio dall'elettrotensile.

## Manutenzione

Questo elettrotensile Black & Decker è stato progettato per funzionare a lungo con una manutenzione minima. Per ottenere prestazioni sempre soddisfacenti occorre avere cura dell'elettrotensile e sottoporlo a pulizia periodica.

**Attenzione!** Prima di eseguire operazioni di manutenzione, spegnere l'elettrotensile ed estrarre la spina dalla presa di corrente.

- ◆ Le prese di ventilazione dell'elettrotensile devono essere pulite regolarmente con un pennello morbido o un panno asciutto.
- ◆ Il vano del motore deve essere pulito regolarmente con un panno umido. Non usare materiali abrasivi o detersivi a base di solventi.
- ◆ Aprire regolarmente il mandrino e batterlo leggermente per eliminare la polvere dall'interno (se in dotazione).

### Sostituzione della spina (solo Regno Unito e Irlanda)

Se è necessario montare una nuova spina

- ◆ smaltire in tutta sicurezza quella vecchia.
- ◆ Collegare il filo marrone al morsetto sotto tensione della nuova spina.
- ◆ Collegare il filo blu al morsetto neutro.

**Attenzione!** Non effettuare nessun collegamento sul morsetto di terra. Seguire le istruzioni fornite con le spine di buona qualità. Fusibile raccomandato: 5 A.

## Protezione dell'ambiente



Raccolta differenziata. Questo prodotto non deve essere smaltito con i normali rifiuti domestici.

Nel caso in cui l'elettrotensile Black & Decker debba essere sostituito o non sia più necessario, non smaltirlo con i normali rifiuti domestici. Metterlo da parte per la raccolta differenziata.



La raccolta differenziata dei prodotti e degli imballaggi utilizzati consente il riciclaggio dei materiali e il loro continuo utilizzo. Il riutilizzo dei materiali riciclati favorisce la protezione dell'ambiente prevenendo l'inquinamento e riduce il fabbisogno di materie prime.

Seguire la regolamentazione locale per la raccolta differenziata dei prodotti elettrici che può prevedere punti di raccolta o la consegna dell'elettrotensile al rivenditore presso il quale viene acquistato un nuovo prodotto.

Black & Decker offre ai suoi clienti la possibilità di riciclare i prodotti Black & Decker che hanno esaurito la loro vita di servizio. Per usufruire di tale servizio, è sufficiente restituire il prodotto a qualsiasi tecnico autorizzato, incaricato della raccolta per conto dell'azienda.

Per individuare il tecnico autorizzato più vicino, rivolgersi alla sede Black & Decker locale, presso il recapito indicato nel presente manuale. Altrimenti un elenco completo di tutti i tecnici autorizzati Black & Decker e i dettagli completi sui contatti e i servizi post-vendita sono disponibili su Internet presso: [www.2helpU.com](http://www.2helpU.com).

### Dati tecnici

	CD714 RE TYPE 2	CD714 CRE TYPE 2	CD714 CRES TYPE 2
Tensione in ingresso	V c.a. 230	230	230
Potenza assorbita	W 710	710	710
Regime a vuoto	min <sup>-1</sup> 0-2800	0-2800	0-2800
Capacità di trapanatura max.			
Acciaio/ calcestruzzo	mm 13	13	13
Legno	mm 25	25	25
Peso	kg 2,0	2,0	2,0

	KR604 CRES TYPE 2	KR654 CRES TYPE 2	KR714 CRES TYPE 2
Tensione in ingresso	V c.a. 230	230	230
Potenza assorbita	W 600	650	710
Regime a vuoto	min <sup>-1</sup> 0-2800	0-2800	0-2800
Capacità di trapanatura max.			
Acciaio/ calcestruzzo	mm 13	13	13
Legno	mm 20	20	25
Peso	kg 2,0	2,0	2,0

Livello di pressione sonora misurato in base a EN 60745:  
Pressione sonora ( $L_{pA}$ ) 98 dB(A), incertezza (K) 3 dB(A)  
Potenza acustica ( $L_{WA}$ ) 109 dB(A), incertezza (K) 3 dB(A)

Valori totali vibrazioni (somma vettoriale triassiale) in base a EN 60745:

Trapanatura a percussione nel cemento ( $A/h$ ) = 17,88 m/s<sup>2</sup>,  
incertezza (K) = 1,5 m/s<sup>2</sup>  
Trapanatura nel metallo ( $A_{vh}$ ) = 3,17 m/s<sup>2</sup>,  
incertezza (K) = 1,5 m/s<sup>2</sup>

**Dichiarazione CE di conformità**

DIRETTIVA SUI MACCHINARI



**CD714RE, CD714CRE, CD714CRES,  
KR604CRES, KR654CRES, KR714CRES**

Black & Decker dichiara che i prodotti descritti al paragrafo "Dati tecnici" sono conformi a:

82006/42/CE, 2014/30/UE, 2011/65/UE,  
EN60745-1 e EN60745-2-1

Per ulteriori informazioni contattare Black & Decker al seguente indirizzo oppure consultare l'ultima di copertina del manuale.

Il sottoscritto è responsabile della redazione di questo documento tecnico e rilascia questa dichiarazione per conto di Black & Decker

R.Laverick  
Engineering Manager  
Black & Decker Europe, 210 Bath Road, Slough,  
Berkshire, SL1 3YD  
Regno Unito  
11-07-2014

**Garanzia**

Certa della qualità dei suoi prodotti, Black & Decker offre una garanzia eccezionale. Il presente certificato di garanzia è complementare ai diritti legali e non li pregiudica in alcun modo. La garanzia è valida entro il territorio degli Stati membri dell'Unione Europea e dell'EFTA (European Free Trade Area).

Se un prodotto Black & Decker risulta difettoso per qualità del materiale, della costruzione o per mancata conformità entro 24 mesi dalla data di acquisto, Black & Decker garantisce la sostituzione delle parti difettose, provvede alla riparazione dei prodotti se ragionevolmente usurati oppure alla loro sostituzione, in modo da ridurre al minimo il disagio del cliente a meno che:

- ◆ il prodotto non sia stato destinato ad usi commerciali, professionali o al noleggio;
- ◆ il prodotto non sia stato usato in modo improprio o scorretto;

- ◆ il prodotto non abbia subito danni causati da oggetti o sostanze estranee oppure incidenti;
- ◆ il prodotto non abbia subito tentativi di riparazione non effettuati da tecnici autorizzati né dall'assistenza Black & Decker.

Per attivare la garanzia è necessario esibire la prova d'acquisto al venditore o al tecnico autorizzato. Per individuare il tecnico autorizzato più vicino, rivolgersi alla sede Black & Decker locale, presso il recapito indicato nel presente manuale. Altrimenti un elenco completo di tutti i tecnici autorizzati Black & Decker e i dettagli completi sui contatti e i servizi post-vendita sono disponibili su Internet presso: **www.2helpU.com**.

I clienti che desiderano registrare il nuovo prodotto Black & Decker e ricevere gli aggiornamenti sui nuovi prodotti e le offerte speciali, sono invitati a visitare il sito Web **www.blackanddecker.it**. Ulteriori informazioni sul marchio e la gamma di prodotti Black & Decker sono disponibili all'indirizzo **www.blackanddecker.it**.

## Beoogd gebruik

De kloppoommachine van Black & Decker is ontworpen voor het boren in hout, metaal, kunststof en steen, maar kan ook worden gebruikt als schroevendraaier. Deze machine is uitsluitend bestemd voor consumentengebruik.

## Veiligheidsinstructies

### Algemene veiligheidswaarschuwingen voor elektrisch gereedschap



#### **Waarschuwing! Lees alle veiligheidswaarschuwingen en alle instructies.**

Wanneer de instructies niet in acht worden genomen, kan dit een elektrische schok, brand of ernstig letsel tot gevolg hebben.

### Bewaar alle waarschuwingen en instructies als referentiemateriaal.

Het hierna gebruikte begrip "elektrisch gereedschap" heeft betrekking op elektrische gereedschappen voor gebruik op de netspanning (met netsnoer) of op accu (snoerloos).

1. **Veilige werkomgeving**
    - a. **Houd uw werkomgeving schoon en opgeruimd.**  
Een rommelige of onverlichte werkomgeving kan tot ongevallen leiden.
    - b. **Gebruik elektrisch gereedschap niet in een omgeving met explosiegevaar, zoals in de nabijheid van brandbare vloeistoffen, gassen of stof.**  
Elektrisch gereedschap veroorzaakt vonken die het stof of de dampen tot ontsteking kunnen brengen.
    - c. **Houd kinderen en andere personen tijdens het gebruik van elektrisch gereedschap uit de buurt.**  
Wanneer u wordt afgeleid, kunt u de controle over het gereedschap verliezen.
  2. **Elektrische veiligheid**
    - a. **De netstekker van het gereedschap moet in het stopcontact passen. De stekker mag in geen geval worden veranderd. Gebruik geen adapterstekkers in combinatie met gearde gereedschappen.**  
Niet omgebouwde stekkers en passende stopcontacten beperken het risico van een elektrische schok.
    - b. **Vermijd aanraking van het lichaam met gearde oppervlakken, bijvoorbeeld buizen, verwarmingen, fornuizen en koelkasten.** Er bestaat een verhoogd risico voor een elektrische schok wanneer uw lichaam geaard is.
    - c. **Houd het gereedschap uit de buurt van regen en vocht.** Het binnendringen van water in het elektrische gereedschap vergroot het risico van een elektrische schok.
  - d. **Gebruik het snoer niet voor een verkeerd doel. Gebruik het snoer niet om het gereedschap te dragen of op te hangen of om de stekker uit het stopcontact te trekken.** Houd het snoer uit de buurt van hitte, olie, scherpe randen of bewegende delen. Beschadigde of in de war geraakte snoeren vergroten het risico van een elektrische schok.
  - e. **Wanneer u buitenshuis met elektrisch gereedschap werkt, dient u alleen verlengsnoeren te gebruiken die zijn goedgekeurd voor gebruik buitenshuis.** Het gebruik van een verlengsnoer dat geschikt is voor gebruik buitenshuis beperkt het risico van een elektrische schok.
  - f. **Als u een elektrisch gereedschap moet gebruiken in een vochtige locatie, moet u een reststroomschakelaar (RCD) gebruiken.** Met een reststroomschakelaar wordt het risico van een elektrische schok verkleind.
3. **Veiligheid van personen**
    - a. **Wees alert, let goed op wat u doet en ga met verstand te werk bij het gebruik van elektrische gereedschappen. Gebruik elektrisch gereedschap niet wanneer u moe bent of onder invloed van drugs, alcohol of medicijnen.** Een moment van onoplettendheid bij het gebruik van het gereedschap kan leiden tot ernstige verwondingen.
    - b. **Draag persoonlijke beschermende uitrusting. Draag altijd een veiligheidsbril.** Het dragen van persoonlijke beschermende uitrusting zoals een stofmasker, slipvaste werkschoenen, een veiligheidshelm of gehoorbescherming, afhankelijk van de aard en het gebruik van het elektrische gereedschap, vermindert het risico van verwondingen.
    - c. **Voorkom per ongeluk inschakelen. Controleer of de schakelaar in de uit-stand staat voordat u het gereedschap aansluit op het stopcontact en/of de accu en voordat u het gereedschap optilt of gaat dragen.** Wanneer u bij het dragen van het gereedschap uw vinger op de schakelaar houdt of wanneer u het gereedschap per ongeluk inschakelt, kan dat leiden tot ongevallen.
    - d. **Verwijder instelgereedschappen of schroefsleutels voordat u het gereedschap inschakelt.** Een instelgereedschap of sleutel in een draaiend deel van het gereedschap kan tot verwondingen leiden.
    - e. **Reik niet te ver. Zorg er altijd voor dat u stevig staat en in evenwicht blijft.** Daardoor kunt u het gereedschap in onverwachte situaties beter onder controle houden.

- f. **Draag geschikte kleding. Draag geen loshangende kleding of sieraden. Houd haren, kleding en handschoenen uit de buurt van bewegende delen.** Loshangende kleding, sieraden en lange haren kunnen door bewegende delen worden meegenomen.
- g. **Wanneer stofafzuigings- of stofopvangvoorzieningen kunnen worden gemonteerd, dient u zich ervan te verzekeren dat deze zijn aangesloten en juist worden gebruikt.** Het gebruik van deze voorzieningen beperkt het gevaar door stof.
4. **Gebruik en onderhoud van elektrisch gereedschap**
- a. **Overbelast het gereedschap niet. Gebruik voor uw toepassing het daarvoor bestemde elektrische gereedschap.** Met het passende elektrische gereedschap werkt u beter en veiliger binnen het aangegeven capaciteitsbereik.
- b. **Gebruik geen elektrisch gereedschap waarvan de schakelaar defect is.** Elektrisch gereedschap dat niet meer kan worden in- of uitgeschakeld, is gevaarlijk en moet worden gerepareerd.
- c. **Trek de stekker uit het stopcontact en/of de accu uit het elektrisch gereedschap voordat u het gereedschap instelt, toebehoren wisselt of het gereedschap opbergt.** Met deze voorzorgsmaatregel voorkomt u onbedoeld starten van het gereedschap.
- d. **Bewaar niet-gebruikte elektrische gereedschappen buiten bereik van kinderen. Laat het gereedschap niet gebruiken door personen die er niet vertrouwd mee zijn en deze aanwijzingen niet hebben gelezen.** Elektrische gereedschappen zijn gevaarlijk wanneer deze door onervaren personen worden gebruikt.
- e. **Verzorg het gereedschap zorgvuldig. Controleer of bewegende delen van het gereedschap correct functioneren en niet klemmen, en of er onderdelen zodanig zijn gebroken of beschadigd dat de werking van het gereedschap nadelig wordt beïnvloed. Laat beschadigde delen repareren voordat u het gereedschap gebruikt.** Veel ongevallen worden veroorzaakt door slecht onderhouden elektrische gereedschappen.
- f. **Houd snijdende inzetgereedschappen scherp en schoon.** Zorgvuldig onderhouden snijdende inzetgereedschappen met scherpe snijkanten klemmen minder snel en zijn gemakkelijker te geleiden.
- g. **Gebruik elektrische gereedschappen, toebehoren, inzetgereedschappen en dergelijke volgens deze aanwijzingen. Let daarbij op de arbeidsomstandigheden en de uit te voeren werkzaamheden.** Het gebruik van elektrische gereedschappen voor andere dan de voorziene toepassingen kan leiden tot gevaarlijke situaties.

## 5. Service

- a. **Laat het gereedschap alleen repareren door gekwalificeerd en vakkundig personeel en alleen met originele vervangingsonderdelen.** Daarmee wordt de veiligheid van het gereedschap gewaarborgd.

### Aanvullende veiligheidswaarschuwingen voor elektrisch gereedschap



**Waarschuwing!** Aanvullende veiligheidswaarschuwingen voor boormachines en slagboormachines.

- ◆ **Draag gehoorbeschermers bij gebruik als slagboor.** Door het geluid van het gereedschap kan uw gehoor worden beschadigd.
- ◆ **Gebruik de extra handgrepen die bij het gereedschap worden meegeleverd.** Als u de controle over het gereedschap verliest, kan dat letsel veroorzaken.
- ◆ **Houd het gereedschap vast bij de geïsoleerde greepoppervlakken als u een handeling uitvoert waarbij het snijdende hulpstuk met onzichtbare draden of met het eigen snoer in aanraking kan komen.** Als een draad onder spanning wordt geraakt door het snijdende hulpstuk, komen onbedekte metalen onderdelen van het gereedschap onder spanning te staan en krijgt u een schok.
- ◆ **Gebruik klemmen of een andere praktische manier om het werkstuk op een stabiel platform vast te zetten en te steunen.** Als u het werkstuk met de hand of tegen uw lichaam vasthoudt, is het niet stabiel en kunt u de controle over het gereedschap verliezen.
- ◆ **Controleer waar zich bedrading en leidingen bevinden voordat u in muren, vloeren of plafonds boort.**
- ◆ **Raak de punt van een boor niet meteen na het boren aan.** Dit kan heet zijn.
- ◆ **In deze instructiehandleiding wordt ingegaan op het beoogde gebruik. Het gebruik van andere accessoires of hulpstukken dan wel de uitvoering van andere handelingen met dit gereedschap dan in deze gebruikershandleiding worden aanbevolen, kan tot persoonlijk letsel en/of schade aan eigendom leiden.**

### Veiligheid van anderen

- ◆ **Dit gereedschap mag niet worden gebruikt door personen (waaronder kinderen) die lichamelijk of geestelijk mindervalide zijn of die geen ervaring met of kennis van dit gereedschap hebben, tenzij ze onder toezicht staan of instructies krijgen wat betreft het gebruik van het gereedschap van een persoon die verantwoordelijk is voor hun veiligheid.**
- ◆ **Houd toezicht op kinderen om ervoor te zorgen dat zij niet met het apparaat gaan spelen.**

## Trilling

De aangegeven waarden voor trillingsemisatie in de technische gegevens en de conformiteitsverklaring zijn gemeten conform een standaardtestmethode die door EN 60745 wordt geboden. Hiermee kan het ene gereedschap met het andere worden vergeleken. De aangegeven waarde voor trillingsemisatie kan ook worden gebruikt bij een voorlopige bepaling van blootstelling.

**Waarschuwing!** De waarde voor trillingsemisatie tijdens het werkelijke gebruik van het gereedschap kan verschillen van de aangegeven waarde afhankelijk van de manieren waarop het gereedschap wordt gebruikt. Het trillingsniveau kan hoger worden dan het aangegeven niveau.

Wanneer de blootstelling aan trillingen wordt vastgesteld teneinde veiligheidsmaatregelen te bepalen die worden vereist door 2002/44/EG ter bescherming van personen die tijdens hun werk regelmatig elektrische gereedschappen gebruiken, moet bij een schatting van de blootstelling aan trillingen rekening worden gehouden met de werkelijke omstandigheden van het gebruik en de manier waarop het gereedschap wordt gebruikt. Daarbij moet ook rekening worden gehouden met alle stappen in de gebruikscyclus, zoals het moment waarop het gereedschap wordt uitgeschakeld en wanneer het gereedschap stationair loopt alsook de aanlooptijd.

## Labels op het gereedschap

Het gereedschap is voorzien van de volgende pictogrammen.



**Waarschuwing!** De gebruiker moet de instructiehandleiding lezen om het risico op letsel te verminderen.

## Elektrische veiligheid



Dit gereedschap is dubbel geïsoleerd. Een aardaansluiting is daarom niet noodzakelijk. Controleer altijd of uw netspanning overeenkomt met de waarde op het typeplaatje.

- ◆ Als het netsnoer is beschadigd, moet dit worden vervangen door de fabrikant of een Black & Decker -servicecentrum om gevaren te voorkomen.

## Onderdelen

1. Schakelaar met variabele snelheden
2. Vergrendelingsknop
3. Vooruit/achteruitknop
4. Knop voor boormodus
5. Spanknop
6. Diepteregelaar (niet alle modellen)
7. Zijgreep (niet alle modellen)

## fig. B

8. Handmatige vergrendelingsknop voor de spil (alleen spanknop zonder sleutel met enkele huls)

## Montage

**Waarschuwing!** Zorg vóór aanvang van de montage dat de machine is uitgeschakeld en de netstekker is losgekoppeld van het lichtnet.

### Zijgreep en diepteregelaar bevestigen (fig. A)

- ◆ Draai de greep linksom totdat u de zijgreep (7) naar de voorkant van het gereedschap kunt schuiven, zoals aangegeven.
- ◆ Draai de zijgreep in de gewenste stand.
- ◆ Plaats de diepteregelaar (6) zoals aangegeven in het bevestigingsgat.
- ◆ Stel de boordiepte in op de hierna beschreven wijze.
- ◆ Zet de zijgreep vast door de greep rechtsom te draaien.

## Een boorbit aanbrengen

### Spanknop zonder sleutel met enkele huls (fig. B)

- ◆ Open de spanknop door op de handmatige vergrendelingsknop voor de spil (8) de drukken en de huls (9) linksom te draaien.
- ◆ Plaats de bitschacht (12) in de spanknop.
- ◆ Zet de spanknop stevig vast door op de handmatige vergrendelingsknop voor de spil (8) de drukken en de huls rechtsom te draaien totdat deze stevig vastzit.

### Spanknop zonder sleutel met dubbele huls (fig. C)

- ◆ Open de spanknop door het voorste gedeelte (10) met uw ene hand te draaien terwijl u het achterste gedeelte (11) vasthoudt met de andere hand.
- ◆ Plaats de bitschacht (12) in de spanknop en zet de spanknop stevig vast.

### Spanknop met sleutel (fig. D)

- ◆ Open de spanknop door de huls (11) linksom te draaien.
- ◆ Plaats de bitschacht (12) in de spanknop.
- ◆ Plaats de spanknopsleutel (14) in elk gat (15) aan de zijkant van de spanknop en draai deze rechtsom totdat de spanknop stevig vast zit.

### De spanknop verwijderen en opnieuw plaatsen (fig. E)

- ◆ Open de spanknop zo ver mogelijk.
- ◆ Verwijder de borgschroef, die zich in de spanknop bevindt, door deze met een schroevendraaier rechtsom te draaien.
- ◆ Zet een inbussleutel vast in de spanknop en sla hier zoals wordt aangegeven met een hamer op.
- ◆ Verwijder de inbussleutel.
- ◆ Draai de spanknop linksom om deze te verwijderen.
- ◆ Plaats de spanknop terug door deze op de spil te draaien en vast te zetten met de borgschroef van de spanknop.

## Gebruik

**Waarschuwing!** Laat het gereedschap in zijn eigen tempo werken. Niet overbelasten.

**Waarschuwing!** Controleer waar zich bedrading en leidingen bevinden voordat u in muren, vloeren of plafonds boort.

### De draairichting selecteren (fig. F)

Voor boren en het vastdraaien van schroeven, gebruikt u de voorwaartse draairichting (rechtsom). Voor het losdraaien van schroeven of het verwijderen van een vastgelopen boorbit, gebruikt u de achterwaartse draairichting (rechtsom).

- ◆ Als u vooruit draaien wilt selecteren, drukt u de knop voor vooruit/achteruit (3) naar links.
- ◆ Als u achteruit draaien wilt selecteren, drukt u de knop voor vooruit/achteruit naar rechts.

**Waarschuwing!** Verander de draairichting nooit terwijl de motor loopt.

### De boormodus selecteren

- ◆ Als u in steen wilt boren, stelt u de knop voor de boormodus (4) in op de stand **T**.
- ◆ Als u in ander materiaal wilt boren of schroeven wilt indraaien, stelt u de knop voor de boormodus in op de stand **A**.

### De boordiepte instellen (fig. G)

- ◆ Maak de zijgreep (7) los door de greep linksom te draaien.
- ◆ Stel de diepteregelaar (6) in op de gewenste stand. De maximale boordiepte is gelijk aan de afstand tussen de punt van de boorbit en de voorkant van de diepteregelaar.
- ◆ Zet de zijgreep vast door de greep rechtsom te draaien.

### In- en uitschakelen

- ◆ U schakelt het gereedschap in door op deschakelaar met variabele snelheden (1) te drukken. De snelheid van het gereedschap hangt af van hoe ver u de schakelaar indrukt. In het algemeen geldt dat u lage snelheden gebruikt voor boorbits met een grote diameter en hoge snelheden voor boorbits met een kleinere diameter.
- ◆ Druk de vergrendelingsknop (2) in en laat de schakelaar met variabele snelheden los om de continustand te activeren. Deze optie is alleen beschikbaar bij volle snelheid, bij vooruit en achteruit draaien.
- ◆ U schakelt het gereedschap uit door de schakelaar met variabele snelheden los te laten. Druk vanuit de continustand nogmaals op de schakelaar met variabele snelheden en laat deze los om de continustand te deactiveren.

## Accessoires

De prestaties van het gereedschap zijn afhankelijk van de gebruikte accessoires. Accessoires van Black & Decker en Piranha zijn ontworpen om aan hoge kwaliteitsnormen te voldoen en de prestaties van uw gereedschap te verhogen. In combinatie met deze accessoires kunt u uw gereedschap nog beter laten presteren.

## Onderhoud

Uw Black & Decker-gereedschap is ontworpen om gedurende langere periode te functioneren met een minimum aan onderhoud. U kunt het gereedschap naar volle tevredenheid blijven gebruiken als u voor correct onderhoud zorgt en het gereedschap regelmatig schoonmaakt.

**Waarschuwing!** Schakel de machine uit en haal de stekker uit het stopcontact voordat er onderhoud wordt uitgevoerd.

- ◆ Reinig regelmatig de ventilatieopeningen van het gereedschap met een zachte borstel of droge doek.
- ◆ Reinig de behuizing van de motor regelmatig met een vochtige doek. Gebruik geen schuur- of oplosmiddel.
- ◆ Open regelmatig de spanknop en tik erop om eventueel stof uit het binnenste te verwijderen (indien van toepassing).

### Netstekker vervangen (alleen V.K. en Ierland)

Als er een nieuwe netstekker moet worden aangebracht:

- ◆ Gooi de oude stekker op verantwoorde wijze weg.
- ◆ Verbind de bruine draad met de spannings-/fasepool in de nieuwe stekker.
- ◆ Verbind de blauwe draad met de nul-/neutraalpool.

**Waarschuwing!** De aardepool hoeft niet te worden aangesloten. Volg de bevestigingsinstructies die met hoogwaardige stekkers wordt meegeleverd. Aanbevolen zekering: 5 A.

## Milieu



Aparte inzameling. Dit product mag niet met normaal huishoudelijk afval worden weggegooid.

Mocht u op een dag constateren dat het Black & Decker-product aan vervanging toe is of dat u het apparaat niet meer nodig hebt, gooi het product dan niet bij het restafval. Het product valt onder de categorie voor elektrische apparaten.



Gescheiden inzameling van gebruikte producten en verpakkingsmaterialen maakt het mogelijk materialen te recyclen en opnieuw te gebruiken. Hergebruik van gerecycleerde materialen zorgt voor minder milieuvervuiling en dringt de vraag naar grondstoffen terug.

Plaatselijke verordeningen kunnen voorzien in gescheiden inzameling van huishoudelijke elektrische producten via gemeentelijke stortplaatsen of via de leverancier bij wie u een nieuw product aanschaft.

Black & Decker biedt de mogelijkheid tot het recyclen van afgedankte Black & Decker-producten. Om gebruik te maken van deze service, dient u het product naar een van onze servicecentra te sturen, die de inzameling voor ons verzorgen.

U kunt het adres van het dichtstbijzijnde servicecentrum opvragen via de adressen op de achterzijde van deze handleiding. U kunt ook een lijst van onze servicecentra en meer informatie m.b.t. onze klantenservice vinden op het volgende internetadres: [www.2helpU.com](http://www.2helpU.com).

## Technische gegevens

	CD714 RE TYPE 2	CD714 CRE TYPE 2	CD714 CRES TYPE 2
Ingangsspanning	Vac 230	230	230
Opgenomen vermogen	W 710	710	710
Onbelaste snelheid	min <sup>-1</sup> 0-2800	0-2800	0-2800
Max. boorvermogen			
Staal/beton	mm 13	13	13
Hout	mm 25	25	25
Gewicht	kg 2,0	2,0	2,0

	KR604 CRES TYPE 2	KR65 4CRES TYPE 2	KR714 CRES TYPE 2
Ingangsspanning	Vac 230	230	230
Opgenomen vermogen	W 600	650	710
Onbelaste snelheid	min <sup>-1</sup> 0-2800	0-2800	0-2800
Max. boorvermogen			
Staal/beton	mm 13	13	13
Hout	mm 20	20	25
Gewicht	kg 2,0	2,0	2,0

Geluidsdrukkniveau, volgens EN 60745:

Geluidsdruk ( $L_{pA}$ ) 98 dB(A), onzekerheid (K) 3 dB(A)

Geluidsvermogen ( $L_{WA}$ ) 109 dB(A), onzekerheid (K) 3 dB(A)

Totale trillingwaarden (som triaxvector) volgens EN 60745:

Met slagboor in beton boren ( $a_h$ ) = 17,88 m/s<sup>2</sup>,

onzekerheid (K) = 1,5 m/s<sup>2</sup>

In metaal boren ( $a_h$ ) = 3,17 m/s<sup>2</sup>, onzekerheid (K) = 3,4 m/s<sup>2</sup>



**EG-conformiteitsverklaring**  
MACHINERICHTLIJN



**CD714RE, CD714CRE, CD714CRES,  
KR604CRES, KR654CRES, KR714CRES**

Black & Decker verklaart dat de producten die worden beschreven onder "technische gegevens" in overeenstemming zijn met:  
2006/42/EG, 2014/30/EU, 2011/65/EU,  
EN60745-1 en EN60745-2-1

Neem voor meer informatie contact op met Black & Decker op het volgende adres of raadpleeg de achterkant van de handleiding.

Ondergetekende is verantwoordelijk voor de compilatie van het technische bestand en doet deze verklaring namens Black & Decker

R.Laverick  
Engineering Manager  
Black & Decker Europe, 210 Bath Road, Slough,  
Berkshire, SL1 3YD  
Verenigd Koninkrijk  
11-07-2014

**Garantie**

Black & Decker heeft vertrouwen in haar producten en biedt een uitstekende garantie. Deze garantiebepalingen vormen een aanvulling op uw wettelijke rechten en beperken deze niet. De garantie geldt in de lidstaten van de Europese Unie en de Europese Vrijhandelsassociatie.

Mocht uw Black & Decker product binnen 24 maanden na de datum van aankoop defect raken ten gevolge van materiaal- of constructiefouten, dan garanderen wij de kosteloze vervanging van defecte onderdelen, de reparatie van het product of de vervanging van het product, tenzij:

- ◆ Het product is gebruikt voor handelsdoeleinden, professionele toepassingen of verhuurdoeleinden;
- ◆ Het product onoordeelkundig is gebruikt;
- ◆ Het product is beschadigd door invloeden van buitenaf of door een ongeval;
- ◆ Reparaties zijn uitgevoerd door anderen dan onze servicecentra of Black & Decker-personeel.

Om een beroep te doen op de garantie, dient u een aankoopbewijs te overhandigen aan de verkoper of een van onze servicecentra. U kunt het adres van het dichtstbijzijnde servicecentrum opvragen via de adressen op de achterzijde van deze handleiding. U kunt ook een lijst van onze servicecentra en meer informatie m.b.t. onze klantenservice vinden op het volgende internetadres: [www.2helpU.com](http://www.2helpU.com).

Meld u aan op onze website [www.blackanddecker.nl](http://www.blackanddecker.nl) om te worden geïnformeerd over nieuwe producten en speciale aanbiedingen. Verdere informatie over het merk Black & Decker en onze producten vindt u op [www.blackanddecker.nl](http://www.blackanddecker.nl).

## Uso previsto

El taladro percutor Black & Decker está diseñado para taladrar madera, metal, plásticos y mampostería, así como para atornillar. Esta herramienta está pensada únicamente para uso doméstico.

## Instrucciones de seguridad

### Advertencias de seguridad generales para herramientas eléctricas



**¡Atención! Lea todas las advertencias e instrucciones de seguridad.** Si no se siguen las instrucciones de seguridad, pueden producirse descargas eléctricas, incendios o lesiones graves.

### Guarde todas las advertencias e instrucciones para consultarlas en el futuro.

El término “herramienta eléctrica” empleado en las advertencias indicadas a continuación hace referencia a la herramienta eléctrica con alimentación de red (con cable) o alimentada por batería (sin cable).

#### 1. Seguridad del área de trabajo

##### a. Mantenga limpia y bien iluminada el área de trabajo.

El desorden y una iluminación deficiente en las áreas de trabajo pueden provocar accidentes.

##### b. No utilice la herramienta eléctrica en entornos con peligro de explosión, como en los que haya líquidos, gases o material en polvo inflamables.

Las herramientas eléctricas producen chispas que pueden llegar a inflamar los materiales en polvo o vapores.

##### c. Mantenga alejados a los niños y otras personas del área de trabajo al emplear la herramienta eléctrica.

Una distracción le puede hacer perder el control sobre la herramienta.

#### 2. Seguridad eléctrica

##### a. El enchufe de la herramienta eléctrica debe corresponder a la toma de corriente utilizada. No modifique el enchufe en forma alguna. No emplee adaptadores en herramientas eléctricas dotadas con toma de tierra.

Los enchufes sin modificar adecuados a las respectivas tomas de corriente reducen el riesgo de una descarga eléctrica.

##### b. Evite que su cuerpo toque partes conectadas a tierra como tuberías, radiadores, cocinas y refrigeradores.

El riesgo a quedar expuesto a una descarga eléctrica es mayor si su cuerpo tiene contacto con tierra.

##### c. No exponga las herramientas eléctricas a la lluvia y evite que penetren líquidos en su interior.

Existe el peligro de recibir una descarga eléctrica si penetran ciertos líquidos en la herramienta eléctrica.

##### d. Cuide el cable de alimentación. No lo utilice para transportar o colgar la herramienta eléctrica, ni tire de él para sacar el enchufe de la toma de corriente. Manténgalo alejado del calor, aceite, bordes afilados o piezas móviles.

Los cables de red dañados o enredados incrementan el riesgo de descarga eléctrica.

##### e. Al trabajar con la herramienta eléctrica en la intemperie utilice solamente cables de prolongación homologados para su uso en exteriores.

La utilización de un cable de prolongación adecuado para su uso en exteriores reduce el riesgo de sufrir descargas eléctricas.

##### f. Si la utilización de una herramienta eléctrica en un lugar húmedo es inevitable, utilice una fuente protegida con un dispositivo de corriente residual (DDR).

La utilización de un DDR reduce el riesgo de sufrir descargas eléctricas.

#### 3. Seguridad personal

##### a. Esté atento a lo que hace y emplee la herramienta eléctrica con prudencia. No utilice la herramienta eléctrica si estuviere cansado, ni tampoco después de haber consumido alcohol, drogas o medicamentos.

Un descuido durante el uso de una herramienta eléctrica puede provocar serias lesiones.

##### b. Utilice un equipo de protección personal. Utilice siempre gafas de protección.

El riesgo de lesionarse se reduce considerablemente si se utiliza un equipo de protección adecuado para las condiciones como una mascarilla antipolvo, zapatos de seguridad con suela antideslizante, casco o protectores auditivos.

##### c. Evite que la herramienta se ponga en marcha accidentalmente. Asegúrese de que el interruptor de encendido/apagado se encuentra en la posición de apagado antes de conectar la herramienta a la fuente de alimentación o a la batería, o de coger o transportar la herramienta.

El transporte de la herramienta eléctrica con el dedo sobre el interruptor o enchufarla con el interruptor encendido puede provocar accidentes.

##### d. Retire las herramientas de ajuste o llaves fijas antes de conectar la herramienta eléctrica.

Una herramienta o llave colocada en una pieza giratoria de la herramienta eléctrica puede producir lesiones al ponerse a funcionar.

##### e. Sea precavido. Mantenga un apoyo firme sobre el suelo y conserve el equilibrio en todo momento.

Ello le permitirá controlar mejor la herramienta eléctrica en caso de presentarse una situación inesperada.

- f. **Lleve puesta una vestimenta de trabajo adecuada. No lleve ropa holgada ni joyas. Mantenga su pelo, vestimenta y guantes alejados de las piezas móviles.** La ropa holgada, las joyas y el pelo largo se pueden enganchar con las piezas en movimiento.
- g. **Siempre que sea posible utilizar unos equipos de aspiración o captación de polvo, asegúrese de que estén montados y se utilicen correctamente.** El empleo de estos equipos reduce los riesgos derivados del polvo.
4. **Uso y cuidado de herramientas eléctricas**
- a. **No sobrecargue la herramienta eléctrica. Use la herramienta eléctrica adecuada para cada aplicación.** Con la herramienta eléctrica adecuada podrá trabajar mejor y más seguro dentro del margen de potencia indicado.
- b. **No utilice herramientas eléctricas con un interruptor defectuoso.** Las herramientas eléctricas que no se puedan controlar con un interruptor de conexión/desconexión son peligrosas y deben repararse.
- c. **Desconecte de la herramienta eléctrica el enchufe de la fuente de alimentación y de la batería antes de realizar cualquier ajuste, cambiar accesorios o guardar la herramienta.** Esta medida preventiva reduce el riesgo de conectar accidentalmente la herramienta eléctrica.
- d. **Guarde las herramientas eléctricas fuera del alcance de los niños y de las personas que no estén familiarizadas con su uso.** Las herramientas eléctricas utilizadas por personas inexpertas son peligrosas.
- e. **Cuide sus herramientas eléctricas con esmero. Controle si funcionan correctamente, sin atascarse, las partes móviles de la herramienta eléctrica, y si existen partes rotas o deterioradas que pudieran afectar al funcionamiento de la herramienta. Si la herramienta eléctrica estuviese defectuosa haga que la reparen antes de volver a utilizarla.** Muchos accidentes se deben a herramientas eléctricas con un mantenimiento deficiente.
- f. **Mantenga las herramientas de corte limpias y afiladas.** Las herramientas de corte mantenidas correctamente se dejan guiar y controlar mejor.
- g. **Utilice la herramienta eléctrica, los accesorios, los útiles de la herramienta, etc. de acuerdo con estas instrucciones, y tenga en cuenta las condiciones de trabajo y la tarea que se va a realizar.** El uso de herramientas eléctricas para trabajos diferentes de aquellos para los que han sido concebidas puede resultar peligroso.

## 5. Servicio técnico

- a. **Esta herramienta eléctrica solo la puede reparar personal técnico autorizado que emplee exclusivamente piezas de repuesto originales.** Solamente así se garantiza la seguridad de la herramienta eléctrica.

### Advertencias de seguridad adicionales para herramientas eléctricas



**¡Atención!** Advertencias de seguridad adicionales para taladros y taladros de percusión.

- ◆ **Utilice protectores para los oídos con los taladros de percusión.** La exposición al ruido puede producir una pérdida de audición.
- ◆ **Utilice las empuñaduras auxiliares suministradas con la herramienta.** La pérdida de control puede provocar lesiones.
- ◆ **Sujete la herramienta eléctrica por la superficie protegida cuando realice una operación en la que el accesorio de corte pueda entrar en contacto con cableado oculto o con su propio cable.** El contacto del accesorio de corte con un cable conectado a la red eléctrica podría hacer que las partes metálicas de la herramienta transmitieran esa electricidad y producir una descarga al usuario.
- ◆ **Utilice pinzas u otro método práctico para asegurar y sujetar la pieza de trabajo a una plataforma estable.** Si sostiene la pieza con la mano o contra el cuerpo hay posibilidades de que pierda el control.
- ◆ **Antes de perforar paredes, suelos o techos, compruebe la ubicación de los cables y tuberías.**
- ◆ **Evite tocar la punta de una broca inmediatamente después de taladrar, ya que puede estar caliente.**
- ◆ **En este manual de instrucciones se describe el uso para el que se ha diseñado el aparato. La utilización de accesorios o la realización de operaciones con esta herramienta distintas de las recomendadas en este manual de instrucciones puede presentar un riesgo de lesiones y/o daños materiales.**

### Seguridad de terceros

- ◆ **Las personas (incluyendo niños) con capacidades físicas, sensoriales o mentales disminuidas o que carezcan de experiencia y conocimientos no deben utilizar esta herramienta, salvo que hayan recibido supervisión o formación con respecto al uso del aparato por parte de una persona responsable de su seguridad.**
- ◆ **Los niños deben vigilarse en todo momento para garantizar que el aparato no se toma como elemento de juego.**

## Vibración

El valor de emisión de vibraciones declarado en el apartado de características técnicas y en la declaración de conformidad se ha calculado según un método de prueba estándar proporcionado por la norma EN 60745 y podrá utilizarse para comparar una herramienta con otra.

El valor de emisión de vibraciones declarado también podrá utilizarse en una evaluación preliminar de la exposición.

**¡Atención!** El valor de emisión de vibraciones durante el funcionamiento real de la herramienta eléctrica puede diferir del valor declarado en función de cómo se utilice dicha herramienta. El nivel de las vibraciones puede aumentar por encima del nivel declarado.

Al evaluar la exposición a las vibraciones con el fin de determinar las medidas de seguridad que exige la norma 2002/44/CE para proteger a las personas que utilizan periódicamente herramientas eléctricas en sus puestos de trabajo, deberá tenerse en cuenta una estimación de la exposición a las vibraciones, las condiciones de uso reales y el modo de empleo de la herramienta, así como los pasos del ciclo operativo como, por ejemplo, el número de veces que la herramienta se apaga y se desconecta y el tiempo de activación.

## Etiquetas en las herramientas

Encontrará los siguientes pictogramas en la herramienta.



**¡Atención!** Para reducir el riesgo de lesiones, el usuario debe leer el manual de instrucciones.

## Seguridad eléctrica



La herramienta lleva un doble aislamiento; por lo tanto no requiere una toma a tierra. Compruebe siempre que el voltaje de la red eléctrica se corresponda con el valor indicado en la placa de características.

- Si se llegase a dañar el cable de alimentación, deberá ser sustituido por el fabricante o por un centro de asistencia técnica autorizado de Black & Decker para evitar cualquier situación de riesgo.

## Características

- Interruptor de velocidad variable
- Botón de bloqueo
- Botón de avance/retroceso
- Selector de modo de perforación
- Portabrocas
- Tope de profundidad (no se incluye con todos los modelos)
- Empuñadura lateral (no se incluye con todos los modelos)

### fig. B

- Botón de bloqueo manual del eje (portabrocas sin llave con manguito único)

## Montaje

**¡Atención!** Antes de proceder al montaje, compruebe que la herramienta está apagada y desenchufada.

### Montaje de la empuñadura lateral y del tope de profundidad (fig. A)

- Gire el mango hacia la izquierda hasta que pueda deslizar la empuñadura lateral (7) hacia la parte frontal de la herramienta tal y como se muestra.
- Gire la empuñadura lateral hacia la posición que desee.
- Inserte el tope de profundidad (6) en el orificio de montaje tal y como se muestra.
- Ajuste la profundidad de perforación como se indica a continuación.
- Gire el mango hacia la derecha para apretar la empuñadura lateral.

## Montaje de una broca

### Portabrocas sin llave con manguito único (fig. B)

- Pulse el botón de bloqueo manual del eje (8) para abrir el portabrocas y gire el manguito (9) hacia la derecha.
- Inserte el eje de la broca o punta de destornillador (12) en el portabrocas.
- Pulse el botón de bloqueo manual del eje (8) para apretar firmemente el portabrocas y gire el manguito hacia la derecha hasta que esté apretado.

### Portabrocas sin llave con dos mangos (fig. C)

- Gire la parte frontal (10) para abrir el portabrocas con una mano mientras sujeta la parte posterior (11) con la otra.
- Inserte el eje de la broca o punta de destornillador (12) en el portabrocas y apriételo firmemente.

### Portabrocas con llave (fig. D)

- Gire el manguito (11) hacia la izquierda para abrir el portabrocas.
- Inserte el eje de la broca o punta de destornillador (12) en el portabrocas.
- Inserte la llave del portabrocas (14) en el orificio (15) situado en el lateral del portabrocas y gírela hacia la derecha hasta que esté apretada.

### Desmontaje y recolocación del portabrocas (fig. E)

- Abra el portabrocas completamente.
- Para desmontar el tornillo de retención del portabrocas, que se encuentra en este, gírelo hacia la derecha con un destornillador.
- Ajuste la llave Allen en el portabrocas y déle un golpe con un martillo tal y como se muestra.
- Extraiga la llave Allen.
- Gire el portabrocas hacia la izquierda para extraerlo.
- Para volver a montar el portabrocas, enrósquelo en el eje y fíjelo con el tornillo de retención del portabrocas.

## Uso

**¡Atención!** Deje que la herramienta funcione a su ritmo. No la sobrecargue.

**¡Atención!** Antes de perforar paredes, suelos o techos, compruebe la ubicación de los cables y tuberías.

### Selección de la dirección de rotación (fig. F)

Para perforar y apretar tornillos, utilice la rotación hacia delante (en el sentido de las agujas del reloj). Para aflojar tornillos o extraer una broca atascada, utilice la rotación hacia atrás (en el sentido contrario a las agujas del reloj).

- ◆ Para seleccionar la rotación hacia delante, pulse el botón de avance/retroceso (3) hacia la posición izquierda.
- ◆ Para seleccionar la rotación hacia atrás, pulse el botón de avance/retroceso (3) hacia la posición derecha.

**¡Atención!** No cambie nunca la dirección de la rotación mientras el motor está en marcha.

### Selección del modo de perforación

- ◆ Para perforar mampostería, ajuste el selector de modo de perforación (4) en la posición **T**.
- ◆ Para atornillar y perforar cualquier otro tipo de material, ajuste el selector de modo de perforación en la posición **1**.

### Ajuste de la profundidad de perforación (fig. G)

- ◆ Gire el mango hacia la izquierda para aflojar la empuñadura lateral (7).
- ◆ Ajuste el tope de profundidad (6) en la posición que desee. La profundidad de perforación máxima es igual a la distancia entre la punta de la broca y el extremo frontal del tope de profundidad.
- ◆ Gire el mango hacia la derecha para apretar la empuñadura lateral.

### Encendido y apagado

- ◆ Para encender la herramienta, pulse el interruptor de velocidad variable (1). La velocidad de la herramienta depende de la presión que aplique al interruptor. Como norma general, utilice niveles de velocidad reducidos con las brocas de gran diámetro y velocidades superiores con las brocas de diámetro más pequeño.
- ◆ Para un funcionamiento continuo, pulse el botón de bloqueo (2) y suelte el interruptor de velocidad variable. Esta opción está disponible únicamente cuando se emplea la máxima velocidad en los modos de avance y retroceso.
- ◆ Para apagar la herramienta, suelte el interruptor de velocidad variable. Para apagar la herramienta mientras esté activado el funcionamiento continuo, vuelva a pulsar el interruptor de velocidad variable y suéltelo.

## Accesorios

El adecuado funcionamiento de la herramienta depende de los accesorios que utilice. Los accesorios Piranha y Black & Decker se han fabricado siguiendo estándares de alta calidad y se han diseñado para mejorar el funcionamiento de la herramienta. Al utilizar estos accesorios, conseguirá el máximo rendimiento de la herramienta.

## Mantenimiento

La herramienta de Black & Decker ha sido diseñada para que funcione durante un largo período de tiempo con un mantenimiento mínimo. El funcionamiento satisfactorio continuado depende de un cuidado apropiado y una limpieza periódica de la herramienta.

**¡Atención!** Antes de realizar cualquier tarea de mantenimiento, apague y desenchufe la herramienta.

- ◆ Limpie periódicamente las ranuras de ventilación de la herramienta con un cepillo suave o un paño seco.
- ◆ Limpie periódicamente la carcasa del motor con un paño húmedo. No utilice limpiadores de base abrasiva o disolvente.
- ◆ Abra regularmente el portabrocas y golpéelo suavemente para eliminar los restos de polvo que haya en su interior (si se encuentra colocado).

### Sustitución del enchufe de red eléctrica (solo para Reino Unido e Irlanda)

Si es necesario colocar un nuevo enchufe para la red eléctrica:

- ◆ Deseche el enchufe anterior según las normas de seguridad.
- ◆ Conecte el cable marrón al terminal conductor del nuevo enchufe.
- ◆ Conecte el cable azul al terminal neutro.

**¡Atención!** No se debe realizar ninguna conexión al terminal de conexión a tierra. Siga las instrucciones de montaje que se suministran con los enchufes de buena calidad. Fusible recomendado: 5 A.

## Protección del medio ambiente



Recogida selectiva. No se debe desechar este producto con el resto de residuos domésticos.

Si llegase el momento en que fuese necesario sustituir su producto Black & Decker o si este dejase de tener utilidad para usted, no lo deseche junto con los residuos domésticos. Sepárelo para su recogida selectiva.



La recogida selectiva de productos y embalajes usados permite el reciclaje de materiales y su reutilización. La reutilización de materiales reciclados contribuye a evitar la contaminación medioambiental y reduce la demanda de materias primas.

Las normativas municipales deben ofrecer la recogida selectiva de productos eléctricos del hogar, en puntos municipales previstos para ello o a través del distribuidor en el caso en que se adquiera un nuevo producto.

Black & Decker proporciona facilidades para la recogida y reciclado de los productos Black & Decker que hayan llegado al final de su vida útil. Para poder utilizar este servicio, le rogamos que entregue el producto a cualquier servicio técnico autorizado que se hará cargo de él en nuestro nombre.

Puede consultar la dirección de su servicio técnico más cercano poniéndose en contacto con la oficina local de Black & Decker en la dirección que se indica en este manual. Como alternativa, se puede consultar en Internet la lista de servicios técnicos autorizados e información completa de nuestros servicios de posventa y contactos en la dirección siguiente: **www.2helpU.com**.

**Características técnicas**

	CD714RE TIPO 2	CD714CRE TIPO 2	CD714CRES TIPO 2
Voltaje de entrada	V de ca 230	230	230
Potencia absorbida	W 710	710	710
Velocidad sin carga	min. <sup>-1</sup> 0-2.800	0-2.800	0-2.800
Capacidad máxima de perforación			
Acero/hormigón	mm 13	13	13
Madera	mm 25	25	25
Peso	kg 2,0	2,0	2,0

	KR604 CRES TIPO 2	KR654 CRES TIPO 2	KR714 CRES TIPO 2
Voltaje de entrada	V de ca 230	230	230
Potencia absorbida	W 600	650	710
Velocidad sin carga	min. <sup>-1</sup> 0-2.800	0-2.800	0-2.800
Capacidad máxima de perforación			
Acero/hormigón	mm 13	13	13
Madera	mm 20	20	25
Peso	kg 2,0	2,0	2,0

Nivel de presión acústica de acuerdo con la normativa EN 60745:

Presión acústica ( $L_{pA}$ ) 98 dB(A), incertidumbre (K) 3 dB(A)  
Potencia acústica ( $L_{WA}$ ) 109 dB(A),  
incertidumbre (K) 3 dB(A)

Valores totales de vibración (suma vectorial triaxial) de acuerdo con la normativa EN 60745:

Perforación de hormigón con impacto ( $a_h$ ) = 17,88 m/s<sup>2</sup>,  
incertidumbre (K) = 1,5 m/s<sup>2</sup>  
Perforación de metal ( $a_h$ ) = 3,17 m/s<sup>2</sup>,  
incertidumbre (K) = 1,5 m/s<sup>2</sup>

## Declaración de conformidad CE

DIRECTIVA DE MÁQUINAS



**CD714RE, CD714CRE, CD714CRES,  
KR604CRES, KR654CRES, KR714CRES**

Black & Decker afirma que los productos descritos en la sección "Características técnicas" cumplen con las normativas siguientes:

2006/42/CE, 2014/30/UE, 2011/65/UE,  
EN60745-1 y EN60745-2-1

Para más información, póngase en contacto con Black & Decker en la dirección siguiente o consulte el dorso de este manual.

El abajo firmante es responsable de la recopilación del archivo técnico y realiza esta declaración en nombre de Black & Decker.

R.Laverick  
Engineering Manager  
Black & Decker Europe, 210 Bath Road, Slough,  
Berkshire, SL1 3YD  
Reino Unido  
11-07-2014

### Garantía

Black & Decker confía plenamente en la calidad de sus productos y ofrece una garantía extraordinaria. Esta declaración de garantía es un añadido, y en ningún caso un perjuicio para sus derechos estatutarios. La garantía es válida dentro de los territorios de los Estados miembros de la Unión Europea y de los de la Zona Europea de Libre Comercio.

Si cualquier producto de Black & Decker resultara defectuoso debido a materiales o mano de obra defectuosos o a la falta de conformidad, Black & Decker garantiza, dentro de los 24 meses posteriores a la fecha de compra, la sustitución de las piezas defectuosas, la reparación de los productos sujetos a un desgaste y rotura razonables o la sustitución de tales productos para garantizar al cliente el mínimo de inconvenientes, a menos que:

- ◆ El producto se haya utilizado con propósitos comerciales, profesionales o de alquiler.
- ◆ El producto se haya sometido a un uso inadecuado o negligente.
- ◆ El producto haya sufrido daños causados por objetos, sustancias extrañas o accidentes.
- ◆ Se hayan realizado reparaciones por parte de personas que no sean del servicio técnico autorizado o personal de servicios de Black & Decker.

Para reclamar en garantía, será necesario que presente la prueba de compra al vendedor o al servicio técnico de reparaciones autorizado. Puede consultar la dirección de su agente de servicio técnico más cercano si se pone en contacto con la oficina local de Black & Decker en la dirección que se indica en este manual. Como alternativa, puede consultar en Internet la lista de servicios técnicos autorizados e información completa de nuestros servicios de posventa y contactos en la dirección siguiente:

**[www.2helpU.com](http://www.2helpU.com)**.

Visite el sitio web **[www.blackanddecker.eu](http://www.blackanddecker.eu)** para registrar su nuevo producto Black & Decker y estar al día sobre productos y ofertas especiales. Encontrará información adicional sobre la marca Black & Decker y nuestra gama de productos en **[www.blackanddecker.eu](http://www.blackanddecker.eu)**.

## Utilização

O seu berbequim Black & Decker foi concebido para perfurar madeira, metal, plástico e pedra, bem como para servir de chave de fenda. Esta ferramenta destina-se apenas a utilização doméstica.

## Instruções de segurança

### Avisos de segurança gerais para ferramentas eléctricas



**Advertência! Leia com atenção todos os avisos de segurança e instruções.** O não cumprimento de todas as instruções pode resultar em choque eléctrico, incêndio e/ou graves lesões.

### Guarde todos os avisos e instruções para futura referência.

A expressão “ferramenta eléctrica” utilizada a seguir refere-se a ferramentas eléctricas com ligação à corrente eléctrica (com cabo) ou com bateria (sem fios).

#### 1. Segurança na área de trabalho

- Mantenha a área de trabalho limpa e bem iluminada.** Áreas desarrumadas e mal iluminadas são propícias a acidentes.
- Não trabalhe com ferramentas eléctricas em áreas com risco de explosão, nas quais se encontrem líquidos, gases ou poeiras inflamáveis.** As ferramentas eléctricas produzem faíscas que podem provocar a ignição de poeiras ou vapores.
- Mantenha crianças e outras pessoas afastadas durante a utilização da ferramenta eléctrica.** As distrações podem dar origem a que perca o controlo da ferramenta.

#### 2. Segurança eléctrica

- A ficha da ferramenta eléctrica deve caber na tomada. A ficha não deve ser modificada de modo algum. Não utilize quaisquer fichas adaptadoras com ferramentas eléctricas ligadas à terra.** Fichas sem modificações e tomadas adequadas reduzem o risco de choques eléctricos.
- Evite que o corpo entre em contacto com superfícies ligadas à terra, como tubos, radiadores, fogões e frigoríficos.** Existe um maior risco de choque eléctrico se o seu corpo estiver ligado à terra.
- As ferramentas eléctricas não podem ser expostas a chuva nem humidade.** A penetração de água na ferramenta eléctrica aumenta o risco de choques eléctricos.
- Manuseie o cabo com cuidado. O cabo não deve ser utilizado para transportar ou pendurar a ferramenta, nem para puxar a ficha da tomada. Mantenha o cabo afastado de calor, óleo, pontas afiadas ou partes móveis.** Cabos danificados ou torcidos aumentam o risco de choques eléctricos.

- Quando trabalhar com uma ferramenta eléctrica ao ar livre, utilize um cabo de extensão apropriado para esse fim.** A utilização de um cabo apropriado para áreas ao ar livre reduz o risco de choques eléctricos.
  - Se for inevitável trabalhar com uma ferramenta eléctrica num local húmido, utilize um Dispositivo de Corrente Residual (RCD).** A utilização de um RCD reduz o risco de choque eléctrico.
- Segurança pessoal**
    - Mantenha-se atento, observe o que está a fazer e seja prudente ao trabalhar com a ferramenta eléctrica. Não utilize uma ferramenta eléctrica se estiver cansado ou sob a influência de drogas, álcool ou medicamentos.** Um momento de falta de atenção durante a utilização de ferramentas eléctricas poderá causar graves lesões.
    - Utilize equipamento de protecção pessoal. Use sempre óculos de protecção.** Equipamento de protecção como, por exemplo, máscara anti-poeiras, sapatos de segurança anti-derrapantes, capacete de segurança ou protecção auricular, de acordo com o tipo e a aplicação de ferramenta eléctrica, reduz o risco de lesões.
    - Evite arranques involuntários. Certifique-se de que o botão está desligado antes de ligar a ferramenta à corrente eléctrica e/ou a bateria, pegando ou transportando a ferramenta.** Transportar ferramentas eléctricas com o dedo no botão ou ligar ferramentas eléctricas à tomada com o interruptor na posição de ligado pode dar origem a acidentes.
    - Retire eventuais chaves de ajuste ou chaves de fenda, antes de ligar a ferramenta eléctrica.** Uma chave de fenda ou chave de ajuste que se encontre numa peça rotativa da ferramenta eléctrica poderá causar lesões.
    - Não se incline. Mantenha-se sempre bem posicionado e em equilíbrio.** Desta forma, será mais fácil controlar a ferramenta eléctrica em situações inesperadas.
    - Utilize vestuário adequado. Não utilize roupas largas nem jóias. Mantenha o cabelo, roupa e luvas afastados de peças em movimento.** Roupas largas, jóias ou cabelos longos podem ficar presos nas peças em movimento.
    - Se for prevista a montagem de dispositivos de extracção e recolha de pó, assegure-se de que estão ligados e que são utilizados de forma correcta.** A utilização destes dispositivos reduz os riscos relacionados com pó.



#### 4. Utilização e manutenção da ferramenta eléctrica

- a. **Não sobrecarregue a ferramenta eléctrica. Utilize a ferramenta eléctrica adequada para o trabalho pretendido.** A ferramenta eléctrica correcta realizará o trabalho de forma melhor e mais segura, com a potência com que foi concebida.
  - b. **Não utilize a ferramenta eléctrica se o interruptor não puder ser ligado nem desligado.** Qualquer ferramenta eléctrica que não possa ser controlada com o interruptor é perigosa e terá de ser reparada.
  - c. **Desligue a ficha da tomada e/ou a bateria da tomada antes de proceder a ajustes, trocar acessórios ou guardar ferramentas eléctricas.** Estas medidas de prevenção de segurança reduzem o risco de ligação inadvertida da ferramenta eléctrica.
  - d. **Mantenha as ferramentas eléctricas que não estiverem a ser utilizadas fora do alcance de crianças. Não permita que a ferramenta eléctrica seja utilizada por pessoas não familiarizadas com a mesma ou que não tenham lido estas instruções.** As ferramentas eléctrica são perigosas se utilizadas por pessoas não qualificadas.
  - e. **Efectue a manutenção das ferramentas eléctricas. Verifique se as partes móveis estão desalinhasadas ou bloqueadas, se existem peças partidas ou qualquer outra situação que possa afectar o funcionamento das ferramentas eléctricas. As peças danificadas devem ser reparadas antes da utilização da ferramenta eléctrica.** Muitos acidentes têm como causa uma manutenção insuficiente das ferramentas eléctricas.
  - f. **Mantenha as ferramentas de corte sempre afiadas e limpas.** As ferramentas de corte com a manutenção adequada e as extremidades afiadas bloqueiam com menos frequência e são mais fáceis de controlar.
  - g. **Utilize a ferramenta eléctrica, acessórios e peças de ferramenta de acordo com estas instruções, considerando as condições de trabalho e a tarefa a ser executada.** A utilização da ferramenta eléctrica para fins diferentes dos previstos pode resultar em situações perigosas.
5. **Reparação**
    - a. **A sua ferramenta eléctrica só deve ser reparada por pessoal qualificado e só devem ser colocadas peças sobressalentes originais.** Isto garantirá a manutenção da segurança da ferramenta eléctrica.

#### Avisos de segurança adicionais para ferramentas eléctricas



**Advertência!** Avisos de segurança adicionais para berbequins e berbequins de percussão.

- ◆ **Utilize protecção auditiva com berbequins de percussão.** A exposição a ruídos pode causar perdas auditivas.
- ◆ **Utilize o punho auxiliar fornecido com a ferramenta.** A perda de controlo pode provocar lesões.
- ◆ **Segure a ferramenta eléctrica pelas áreas isoladas quando executar uma operação em que o acessório de corte possa entrar em contacto com a cablagem oculta ou o seu próprio cabo.** Cortar um acessório em contacto com um cabo "electrificado" poderá expor peças metálicas do sistema eléctrico da ferramenta e provocar choques ao operador.
- ◆ **Utilize grampos ou outro meio prático para fixar e apoiar a peça numa plataforma estável.** Se fixar a peça com a mão ou contra o seu corpo, a peça fica instável e pode dar origem à perda de controlo.
- ◆ Antes de perfurar as paredes, tectos ou chãos, verifique a localização de cablagem e tubos.
- ◆ Evite tocar na ponta de uma broca mesmo depois de perfurar, uma vez que esta poderá estar quente.
- ◆ A utilização prevista para este aparelho está descrita no manual de instruções. A utilização de qualquer acessório ou a realização de qualquer operação com este aparelho que não se inclua no presente manual de instruções poderá representar um risco de ferimentos pessoais e/ou danos materiais.

#### Segurança de terceiros

- ◆ Este aparelho não deve ser utilizado por pessoas (incluindo crianças) que apresentem capacidades físicas, sensoriais ou mentais reduzidas ou que não possuam os conhecimentos e a experiência necessários, excepto se forem vigiadas e instruídas acerca da utilização do aparelho por uma pessoa responsável pela sua segurança.
- ◆ As crianças deverão ser vigiadas para que não mexam no aparelho.

#### Vibração

Os valores de emissão de vibração declarados na secção de dados técnicos e na declaração de conformidade foram medidos de acordo com o método de teste padrão fornecido pela EN 60745 e podem ser utilizados para comparar ferramentas. O valor de emissão de vibração declarado pode ainda ser utilizado numa avaliação preliminar de exposição.

**Advertência!** O valor de emissão de vibração durante a utilização actual da ferramenta eléctrica pode ser diferente do valor declarado, dependendo da forma como a ferramenta é utilizada. O nível de vibração pode aumentar acima do nível indicado.

Quando avaliar a exposição da vibração para determinar as medidas de segurança exigidas pela 2002/44/CE para proteger pessoas que utilizem regularmente ferramentas eléctricas, deve ser considerada uma estimativa de exposição de vibração, as actuais condições de utilização e o modo como a ferramenta é utilizada, incluindo ainda todas as partes do ciclo de funcionamento, como os períodos de inactividade e espera da ferramenta, para além do tempo de funcionamento.

## Rótulos nas ferramentas

A ferramenta apresenta os seguintes pictogramas.



**Advertência!** Para reduzir o risco de lesões, o utilizador deve ler o manual de instruções.

## Segurança eléctrica



Esta ferramenta tem um isolamento duplo e, por isso, não é necessário um fio de terra. Verifique sempre se a fonte de alimentação corresponde à tensão indicada na placa de especificações.

- ◆ Se o cabo de alimentação for danificado, terá de ser substituído pelo fabricante ou por um centro de assistência autorizado Black & Decker para evitar acidentes.

## Funções

1. Interruptor de velocidade variável
2. Botão de bloqueio
3. Botão para a frente/para trás
4. Selector de modo de perfuração
5. Mandril
6. Batente de profundidade (nem todos os modelos)
7. Cabo lateral (nem todos os modelos)

### fig. B

8. Botão de bloqueio do eixo manual (apenas mandril sem chave de manga única)

## Montagem

**Advertência!** Antes da montagem, certifique-se de que a ferramenta está desligada e de que não está ligada à corrente eléctrica.

### Ajustar o cabo lateral e o batente de profundidade (fig. A)

- ◆ Rode o punho no sentido oposto aos ponteiros do relógio até conseguir fazer deslizar o cabo lateral (7) para a frente da ferramenta, tal como mostrado.

- ◆ Rode o cabo lateral para a posição pretendida.
- ◆ Introduza o batente de profundidade (6) no orifício de inserção, tal como mostrado.
- ◆ Ajuste a profundidade de perfuração, conforme descrito abaixo.
- ◆ Aperte o cabo lateral, rodando o punho no sentido dos ponteiros do relógio.

## Colocar uma broca

### Mandril sem chave de manga única (fig. B)

- ◆ Abra o mandril premindo o botão de bloqueio do eixo manual (8) e rodando a manga (9) no sentido oposto aos ponteiros do relógio.
- ◆ Coloque o veio de pontas (12) no mandril.
- ◆ Aperte firmemente o mandril premindo o botão de bloqueio do eixo manual (8) e rodando a manga no sentido dos ponteiros do relógio até ficar apertada.

### Mandril sem chave de manga dupla (fig. C)

- ◆ Abra o mandril rodando a parte da frente (10) com a mão enquanto segura na parte de trás (11) com a outra.
- ◆ Coloque o veio de pontas (12) no mandril e aperte firmemente o mandril.

### Mandril com chave (fig. D)

- ◆ Abra o mandril rodando a manga (11) no sentido oposto aos ponteiros do relógio.
- ◆ Coloque o veio de pontas (12) no mandril.
- ◆ Coloque a chave do mandril (14) em cada orifício (15) no lado do mandril e rode no sentido dos ponteiros do relógio até ficar apertada.

### Remover e voltar a colocar o mandril (fig. E)

- ◆ Abra o mandril o mais possível.
- ◆ Remova o parafuso de retenção do mandril, localizado no mandril, rodando-o no sentido dos ponteiros do relógio utilizando a chave de fendas.
- ◆ Aperte a chave Allen no mandril e martele-a com um martelo, tal como mostrado.
- ◆ Retire a chave Allen.
- ◆ Retire o mandril, rodando-o no sentido oposto aos ponteiros do relógio.
- ◆ Para voltar a colocar o mandril, aparafuse-o no eixo e fixe-o com o parafuso de retenção do mandril.

## Utilização

**Advertência!** Deixe a ferramenta funcionar ao seu próprio ritmo. Não a sobrecarregue.

**Advertência!** Antes de perfurar as paredes, tectos ou chãos, verifique a localização de cablagem e tubos.

### Seleccionar a direcção de rotação (fig. F)

Para perfuração e para apertar parafusos, utilize a rotação para a frente (no sentido dos ponteiros do relógio). Para soltar parafusos ou remover uma broca encravada, utilize a rotação para trás (no sentido oposto aos ponteiros do relógio).

- ◆ Para seleccionar a rotação para a frente, pressione o botão para a frente/para trás (3) para a posição da esquerda.
- ◆ Para seleccionar a rotação para trás, pressione o botão para a frente/para trás para a direita.

**Advertência!** Nunca mude a direcção de rotação enquanto o motor estiver a funcionar.

### Seleccionar o modo de perfuração

- ◆ Para perfurar em pedra, coloque o selector de modo de perfuração (4) na posição **T**.
- ◆ Para perfurar noutros materiais e para apertar parafusos, coloque o selector de modo de perfuração na posição **A**.

### Ajustar a profundidade de perfuração (fig. G)

- ◆ Desaparafuse o cabo lateral (7), rodando o punho no sentido oposto aos ponteiros do relógio.
- ◆ Ajuste o batente de profundidade (6) na posição pretendida. A profundidade de perfuração máxima é igual à distância entre a ponta da broca e a parte da frente do batente de profundidade.
- ◆ Aperte o cabo lateral, rodando o punho no sentido dos ponteiros do relógio.

### Ligar e desligar

- ◆ Para ligar a ferramenta, prima o interruptor de velocidade variável (1). A velocidade da ferramenta depende de como pressiona o interruptor. Em regra geral, utilize velocidades baixas para brocas de diâmetros superiores e velocidades altas para brocas de diâmetros inferiores.
- ◆ Para uma operação contínua, prima o botão de bloqueio (2) e solte o interruptor de velocidade variável. Esta opção só está disponível em velocidade máxima nos modos para a frente e para trás.
- ◆ Para desligar a ferramenta, solte o interruptor de velocidade variável. Para desligar a ferramenta quando estiver a executar uma operação contínua, prima o interruptor de velocidade variável mais uma vez e solte-o.

## Acessórios

O desempenho da ferramenta depende do acessório utilizado. Os acessórios Black & Decker e Piranha são concebidos segundo normas de elevada qualidade e desenvolvidos de modo a melhorar o desempenho da sua ferramenta. Ao utilizar estes acessórios, obterá o melhor desempenho da sua ferramenta.

## Manutenção

A sua ferramenta Black & Decker foi concebida para funcionar por um longo período de tempo com uma manutenção mínima. Um funcionamento contínuo e satisfatório depende de uma manutenção adequada e da limpeza regular da ferramenta.

**Advertência!** Antes de proceder a qualquer acção de manutenção, desligue a ferramenta e retire a ficha da tomada.

- ◆ Limpe regularmente as aberturas de ventilação da ferramenta com uma escova suave ou um pano seco.
- ◆ Limpe regularmente o compartimento do motor com um pano húmido. Não utilize nenhum produto de limpeza abrasivo ou à base de solvente.
- ◆ Abra o mandril regularmente e bata no mesmo para remover qualquer vestígio de pó do seu interior (quando colocado).

### Substituição da ficha de alimentação (apenas Reino Unido e Irlanda)

Se for necessário encaixar uma nova ficha de alimentação:

- ◆ Elimine com segurança a ficha antiga.
- ◆ Ligue o cabo castanho ao terminal activo na nova ficha.
- ◆ Ligue o cabo azul ao terminal neutro.

**Advertência!** Não é necessária efectuar qualquer ligação ao terminal de terra. Siga as instruções de encaixe fornecidas com as fichas de excelente qualidade. Fusível recomendado: 5 A.

## Protecção do ambiente



Recolha separada. Este produto não pode ser eliminado juntamente com os resíduos domésticos normais.

Se, em algum momento, for necessário substituir o aparelho ou se este deixar de ter utilidade, não elimine o produto num caixote do lixo. Este produto pode ser separado para reciclagem.



A recolha separada de produtos e embalagens usados permite que os materiais sejam reciclados e novamente utilizados. A reutilização de materiais reciclados ajuda a evitar a poluição ambiental e reduz a procura de matérias-primas.

A legislação local poderá prever a recolha separada de produtos domésticos eléctricos, seja em lixeiras municipais ou através do revendedor quando adquire um produto novo.

A Black & Decker dispõe de instalações para recolha e reciclagem de produtos Black & Decker quando estes atingem o fim da sua vida útil. Para usufruir deste serviço, devolva o produto em qualquer agente de reparação autorizado, que os recolherá em seu nome.

Pode verificar a localização do agente de reparação autorizado mais perto de si, contactando os escritórios locais da Black & Decker através do endereço indicado neste manual. Se preferir, pode encontrar na Internet uma lista de agentes de reparação autorizados Black & Decker, detalhes completos e contactos do serviço pós-venda, no endereço: [www.2helpU.com](http://www.2helpU.com).

### Dados técnicos

	CD714 RE TIPO 2	CD714 CRE TIPO 2	CD714 CRES TIPO 2
Voltagem de entrada	Vac 230	230	230
Potência utilizada	W 710	710	710
Sem velocidade de carga	min <sup>-1</sup> 0-2800	0-2800	0-2800
Capacidade máx. de perfuração			
Aço/betão	mm 13	13	13
Madeira	mm 25	25	25
Peso	kg 2,0	2,0	2,0

	KR604 CRES TIPO 2	KR654 CRES TIPO 2	KR714 CRES TIPO 2
Voltagem de entrada	Vac 230	230	230
Potência utilizada	W 600	650	710
Sem velocidade de carga	min <sup>-1</sup> 0-2800	0-2800	0-2800
Capacidade máx. de perfuração			
Aço/betão	mm 13	13	13
Madeira	mm 20	20	25
Peso	kg 2,0	2,0	2,0

Nível de pressão acústica de acordo com EN 60745:  
Pressão acústica ( $L_{pA}$ ) 98 dB(A), imprecisão (K) 3 dB(A)  
Potência acústica ( $L_{WA}$ ) 98 dB(A), imprecisão (K) 3 dB(A)

Valores totais de vibração (soma vectores triax) de acordo com EN 60745:

Perfurar com percussão em betão ( $a_h$ )= 17.88 m/s<sup>2</sup>,  
imprecisão (K) = 1,5 m/s<sup>2</sup>  
Perfurar em Metal ( $a_h$ )= 3.17 m/s<sup>2</sup>, imprecisão (K) = 1,5 m/s<sup>2</sup>

## Declaração de conformidade CE

DIRECTIVA DE MAQUINARIA



**CD714RE, CD714CRE, CD714CRES,  
KR604CRES, KR654CRES, KR714CRES**

A Black & Decker declara que estes produtos descritos em “dados técnicos” estão em conformidade com: 2006/42/CE, 2014/30UE, 2011/65/UE, EN60745-1 e EN60745-2-1

Para obter mais informações, contacte a Black & Decker no endereço indicado ou consulte a parte posterior do manual.

O signatário é responsável pela compilação do ficheiro técnico e efectua esta declaração em nome da Black & Decker

R.Laverick  
Engineering Manager  
Black & Decker Europe, 210 Bath Road, Slough, Reino  
Berkshire, SL1 3YD  
Unido  
11-07-2014

### Garantia

A Black & Decker confia na qualidade dos seus produtos e oferece uma garantia excelente. Esta declaração de garantia é um complemento dos seus direitos estabelecidos por lei, não os prejudicando de forma alguma. A garantia é válida nos territórios dos Estados Membros da União Europeia e da Associação Europeia de Comércio Livre.

Se um produto Black & Decker se avariar devido a defeitos de material, fabrico ou não conformidade, num período de 24 meses após a data da compra, a Black & Decker garante a substituição de peças defeituosas, a reparação de produtos sujeitos a um desgaste aceitável ou a substituição dos mesmos para garantir o mínimo de inconveniente ao cliente, excepto se:

- ◆ O produto tiver sido utilizado para fins comerciais, profissionais ou de aluguer.
- ◆ O produto tiver sido submetido a utilização indevida ou descuido.

- ◆ O produto tiver sido danificado por objectos estranhos, substâncias ou acidentes.
- ◆ Tiverem sido tentadas reparações por pessoas que não sejam agentes de reparação autorizados ou técnicos de manutenção da Black & Decker.

Para accionar a garantia, terá de apresentar comprovativos de compra ao vendedor ou a um agente de reparação autorizado. Pode verificar a localização do agente de reparação autorizado mais perto de si, contactando os escritórios locais da Black & Decker através do endereço indicado neste manual. Se preferir, pode encontrar na Internet uma lista de agentes de reparação autorizados Black & Decker, detalhes completos e contactos do serviço pós-venda, no endereço: [www.2helpU.com](http://www.2helpU.com).

Visite o nosso website [www.blackanddecker.eu](http://www.blackanddecker.eu) para registar o novo produto Black & Decker e manter-se actualizado relativamente a novos produtos e ofertas especiais. Pode encontrar mais informações sobre a marca Black & Decker e nossa gama de produtos em [www.blackanddecker.eu](http://www.blackanddecker.eu).

## Användningsområde

Denna slagbormaskin från Black & Decker är avsedd för borring i trä, metall, plast och murverk samt för skruvdragning. Verktøget är endast avsett för konsumentbruk.

## Säkerhetsinstruktioner

### Allmänna säkerhetsanvisningar för elverktyg



**Varning! Läs alla säkerhetsföreskrifter och alla anvisningar.** Om anvisningarna nedan inte följs kan det orsaka elektriska stötar, brand och/eller allvariga kroppsskador.

### Spara alla säkerhetsföreskrifter och anvisningar för framtida bruk.

Begreppet "Elverktyg" syftar på nätdrivna elverktyg (med nätsladd) och på batteridrivna elverktyg (sladdlösa).

1. **Säkerhet i arbetsområdet**
  - a. **Håll arbetsplatsen ren och välbelyst.** Oordning på arbetsplatsen och dåligt belyst arbetsområde kan leda till olyckor.
  - b. **Använd inte elverktyget i explosionsfarlig omgivning med lättantändliga vätskor, gaser eller damm.** Elverktygen alstrar gnistor som kan antända dammet eller gaserna.
  - c. **Håll barn och andra personer på betryggande avstånd under arbetet med elverktyget.** Om du blir störd kan du förlora kontrollen över elverktyget.
2. **Elektrisk säkerhet**
  - a. **Elverktygets stickkontakt måste passa till eluttaget. Stickkontakten får absolut inte ändras. Använd inte adapterkontakter tillsammans med jordade elverktyg.** Med oförändrade stickkontakter och passande vägguttag minskas risken för elstöt.
  - b. **Undvik kroppskontakt med jordade ytor, t.ex. rör, värmelement, spisar och kylskåp.** Risken för elektriska stötar ökar om din kropp är jordad.
  - c. **Skydda elverktyget mot regn och väta.** Om vatten tränger in i ett elverktyg ökar risken för elektriska stötar.
  - d. **Hantera nätsladden varsamt. Använd inte sladden för att bära eller dra elverktyget och inte heller för att dra ut kontakten ur vägguttaget. Håll nätsladden borta från värme, olja, skarpa kanter och rörliga maskindelar.** Risken att du får en elstöt är större om sladdarna är skadade eller tilltrasslade.
  - e. **Använd endast förlängningssladdar som är godkända för utomhusbruk när du arbetar med elverktyg utomhus.** Om du använder en förlängningssladd som är avsedd för utomhusbruk minskar risken för att du ska få en elstöt.
- f. **Om du måste använda ett elverktyg på en fuktig plats ska du använda jordfelsbrytare.** Jordfelsbrytaren minskar risken för stötar.
3. **Personlig säkerhet**
  - a. **Var uppmärksam, se på vad du gör och använd elverktyget med förnuft. Använd inte elverktyget när du är trött eller om du är påverkad av droger, alkohol eller mediciner.** I samband med användning av elverktyg kan även ett ögonblicks uppmärksamhet leda till allvariga kroppsskador.
  - b. **Använd personlig skyddsutrustning. Bär alltid skyddsglasögon.** Skyddsutrustning, t.ex. dammfiltermask, halkfria säkerhetsskor, hjälm och hörselskydd, reducerar risken för kroppsskada när den används vid rätt tillfällen.
  - c. **Undvik oavsiktlig igångsättning. Kontrollera att strömbrytaren står i avstängt läge innan du ansluter verktyget till elnätet eller sätter i batteriet, samt innan du tar upp eller bär verktyget.** Det kan vara mycket farligt att bära ett elverktyg med fingret på strömbrytaren eller koppla det till nätet respektive sätta i batteriet med strömbrytaren i till-läge.
  - d. **Ta bort alla inställningsverktyg och skruvnycklar innan du startar elverktyget.** Ett verktyg eller en nyckel i en roterande komponent kan orsaka kroppsskada.
  - e. **Sträck dig inte för långt. Se till att du alltid har säkert fotfäste och balans.** Därmed har du bättre kontroll över elverktyget i oväntade situationer.
  - f. **Bär lämpliga kläder. Bär inte löst hängande kläder eller smycken. Håll undan hår, kläder och handskar från rörliga delar.** Löst hängande kläder, smycken och långt hår kan fastna i roterande delar.
  - g. **Om elverktyget har dammsugnings- och uppsamlingsfunktion bör du kontrollera att anordningarna är rätt monterade och används på korrekt sätt.** Dessa anordningar reducerar riskerna förenade med damm.
4. **Bruk och skötsel av elverktyg**
  - a. **Överbelasta inte elverktyget. Använd rätt elverktyg för det aktuella arbetet.** Med rätt elverktyg kan du arbeta bättre och säkrare med det som verktyget är avsett för.
  - b. **Använd inte elverktyget om det inte går att starta och stänga av det med strömbrytaren.** Ett elverktyg som inte kan startas och stängas av med strömbrytaren är farligt och måste repareras.

- c. **Dra stickproppen ur vägguttaget och/eller ta ur batteriet ur elverktyget innan inställningar utförs, tillbehörsdelar byts ut eller elverktyget ställs undan.** Denna skyddsåtgärd förhindrar oavsiktlig inkoppling av elverktyget.
- d. **Förvara elverktygen utom räckhåll för barn. Låt inte elverktyget användas av personer som inte är vana vid det, eller som inte läst denna bruksanvisning.** Elverktyg är farliga om de används av ovana personer.
- e. **Sköt elverktyget omsorgsfullt. Kontrollera att rörliga komponenter fungerar felfritt och inte kärvar, att komponenter inte brustit eller skadats och inget annat föreligger som kan påverka elverktygets funktioner. Om elverktyget är skadat, se till att få det reparerat innan det används.** Många olyckor orsakas av dåligt skötta elverktyg.
- f. **Håll skärverktyg vassa och rena.** Omsorgsfullt skötta skärverktyg med skarpa eggar fastnar inte så lätt och är lättare att hantera.
- g. **Använd elverktyget, tillbehör, insatsverktyg osv. enligt dessa anvisningar och på sätt som föreskrivits för aktuell verktygsmodell. Ta hänsyn till arbetsvillkoren och arbetsmomenten.** Används elverktyget på icke ändamålsenligt sätt kan farliga situationer uppstå.
5. **Service**
- a. **Elverktyget ska bara repareras av utbildade reparatörer och med originalreservdelar.** Detta garanterar att elverktygets säkerhet bibehålls.

#### Ytterligare säkerhetsanvisningar för elverktyg



**Varning!** Ytterligare säkerhetsanvisningar för bormaskiner och slagbormaskiner.

- ◆ **Bär hörselskydd när du använder en slagbormaskin.** Om du utsätts för höga ljud kan din hörsel bli nedsatt.
- ◆ **Använd de extrahandtag som medföljer verktyget.** Om du förlorar kontrollen över verktyget kan du skada dig själv eller andra.
- ◆ **Håll verktyget i de isolerade greppytorna vid arbete där borren riskerar att komma i kontakt med dolda elledningar eller med sin egen nätsladd.** Om borren går igenom en strömförande ledning kommer verktygets metalldelar att bli strömförande och ge dig en elektrisk stöt.

- ◆ **Fäst arbetsstycket vid ett stabilt underlag med klämmor eller på något annat lämpligt sätt.** Om du håller i arbetsstycket med handen eller trycker det mot kroppen blir det instabilt, och du kan förlora kontrollen.
- ◆ Innan du borrar i väggar, golv eller tak ska du kontrollera var rör eller elledningar finns.
- ◆ Undvik att vidröra borrens spets precis efter borrar, eftersom den kan bli väldigt varm.
- ◆ Användningsområdet beskrivs i den här bruksanvisningen. Om andra tillbehör eller tillsatser används, eller om någon annan åtgärd än de som rekommenderas i den här bruksanvisningen utförs med verktyget kan personer och/eller egendom ta skada.

#### Säkerhet för andra

- ◆ Verktyget ska inte användas av personer (inklusive barn) med nedsatt fysisk eller mental förmåga eller bristande erfarenhet och kunskap, om de inte får vägledning och övervakas av en person som ansvarar för deras säkerhet.
- ◆ Barn ska hållas under uppsikt så att de inte leker med verktyget.

#### Vibrationer

De uppgivna vibrationsvärdena som anges i avsnitten Tekniska data och EC-deklaration om överensstämmelse har uppmätts i enlighet med en standardtestmetod föreskriven i EN 60745 och kan användas för jämförelse med andra verktyg. Det uppgivna vibrationsvärdet kan även användas för en preliminär bedömning av exponering.

**Varning!** Vibrationsvärdet under faktisk användning av elverktyget kan skilja sig från det uppgivna värdet beroende på hur verktyget används. Vibrationsnivån kan överstiga den uppgivna nivån.

Vid uppskattningar av exponering för vibrationer i syfte att bedöma vilka säkerhetsåtgärder som är nödvändiga enligt 2002/44/EC för att skydda personer som regelbundet använder elverktyg i arbetet ska man utgå från de faktiska omständigheter under vilka elverktyget används och sättet till vilket det används. Bedömningen ska även ta hänsyn till alla moment i arbetscykeln, t.ex. när verktyget är avstängt och när det går på tomgång såväl som när det faktiskt används.

#### Etiketter på verktyg

Följande symboler finns på verktyget:



**Varning!** Läs bruksanvisningen innan du använder verktyget för att minska risken för olyckor.

## Elektrisk säkerhet



Eftersom verktyget är dubbelisolerat behövs ingen jordledare. Kontrollera alltid att nätspänningen överensstämmer med värdet på typskylten.

- ♦ Om nåttsladden är skadad måste den för undvikande av fara bytas ut av tillverkaren eller en auktoriserad Black & Decker-verkstad.

## Funktioner

1. Strömbrytare med variabel hastighet
2. Låsknapp
3. Framåt-/bakåtknapp
4. Borrlägesväljare
5. Chuck
6. Djupstopp (gäller inte alla modeller)
7. Sidohandtag (gäller inte alla modeller)

### fig. B

8. Manuell spindellåsknapp (endast nyckelfri chuck med enkel hylsa)

## Montering

**Varning!** Se till att verktyget är avstängt samt att det inte är anslutet innan monteringen börjar.

### Montera sidohandtaget och djupstoppet (fig. A)

- ♦ Vrid vredet moturs tills du kan anbringa sidohandtaget (7) på verktygets framsida. Se bilden.
- ♦ Roter sidohandtaget till önskat läge.
- ♦ Sätt in djupstoppet (6) i det avsedda hålet. Se bilden.
- ♦ Ställ in borrdjupet enligt anvisningarna nedan.
- ♦ Dra åt sidohandtaget genom att vrida vredet medurs.

## Sätta in ett borr

### Nyckelfri chuck med enkel hylsa (fig. B)

- ♦ Öppna chucken genom att trycka ned den manuella spindellåsknappen (8) och vrida hylsan (9) moturs.
- ♦ Sätt borren eller skruvbiten (12) i chucken.
- ♦ Dra åt chucken hårt genom att trycka på den manuella spindellåsknappen (8) och vrida hylsan medurs tills den sitter fast.

### Nyckelfri chuck med dubbel hylsa (fig. C)

- ♦ Öppna chucken genom att vrida den främre delen (10) med ena handen medan du håller den bakre delen (11) med andra handen.
- ♦ Sätt borren eller skruvbiten (12) i chucken och dra åt ordentligt.

### Nyckelförsedd chuck (fig. D)

- ♦ Öppna chucken genom att vrida hylsan (11) moturs.
- ♦ Sätt borren eller skruvbiten (12) i chucken.
- ♦ Sätt chucknyckeln (14) i vart och ett av hålen (15) i sidan av chucken och dra åt medurs tills det sitter ordentligt.

### Ta bort och sätta tillbaka chucken (fig. E)

- ♦ Öppna chucken så mycket som möjligt.
- ♦ Ta bort chuckskruvorna som finns i chucken genom att vrida den medurs med hjälp av en skruvmejsel.
- ♦ Dra åt en insexnyckel i chucken och slå på den med en hammare. Se bild.
- ♦ Ta bort insexnyckeln.
- ♦ Ta bort chucken genom att vrida den moturs.
- ♦ När du sätter tillbaka chucken skruvar du på den på spindeln och gör fast den med chuckskruvorna.

## Användning

**Varning!** Låt verktyget arbeta i sin egen takt. Överbelasta det inte.

**Varning!** Innan du borrar i väggar, golv eller tak ska du kontrollera var rör eller elledningar finns.

### Välja rotationsriktning (fig. F)

När du borrar och drar åt skruvar använder du framåtgående (medurs) rörelse. När du lossar skruvar eller avlägsnar en borrbitt som har fastnat använder du bakåtgående (moturs) rörelse.

- ♦ Du väljer framåtgående rörelse genom att trycka framåt-/bakåtknappen (3) till det vänstra läget.
- ♦ Du väljer bakåtgående rörelse genom att trycka framåt-/bakåtknappen (3) till det högra läget.

**Varning!** Ändra aldrig rörelsens riktning medan motorn är igång.

### Välja borrläge

- ♦ Vid borring i murverk ställer du borrlägesväljaren (4) i läget **T**.
- ♦ Vid borring i andra material och när du använder skruvdragarfunktionen ställer du borrlägesväljaren i läget **1**.

### Ange borrdjup (fig. G)

- ♦ Lossa på sidohandtaget (7) genom att vrida vredet moturs.
- ♦ Ställ djupstoppet (6) i önskat läge. Det maximala borrdjupet är lika med avståndet mellan borrens spets och djupstoppets främre ände.
- ♦ Dra åt sidohandtaget genom att vrida vredet medurs.

### Slå på och av

- ♦ Slå på verktyget genom att trycka in strömbrytaren för variabel hastighet (1). Verktygets hastighet beror på hur hårt du trycker på strömbrytaren. En allmän regel är att du använder låga hastigheter för borrar med stor diameter och höga hastigheter för borrar med mindre diameter.



- Tryck in låsknappen (2) och släpp strömbrytaren för variabel hastighet om du vill ha kontinuerlig drift. Det här alternativet är bara tillgängligt vid full hastighet i både framåtgående och bakåtgående läge.
- Slå av verktyget genom att släppa strömbrytaren för variabel hastighet. Under kontinuerlig drift stänger du av verktyget genom att trycka in och släppa strömbrytaren för variabel hastighet en gång till.

## Tillbehör

Vilka resultat du får med verktyget beror på vilka tillbehör du använder. Tillbehör från Black & Decker och Piranha håller hög kvalitet och är konstruerade för att fungera optimalt med verktyget. Med dessa tillbehör får du ut det bästa av verktyget.

## Underhåll

Detta Black & Decker-verktyg har tillverkat för att fungera under lång tid med ett minimum av underhåll. Med rätt underhåll och regelbunden rengöring behåller verktyget sin prestanda.

**Varning!** Innan något underhåll utförs måste verktyget stängas av och sladden dras ur vägguttaget.

- Rengör regelbundet verktygets luftintag med en mjuk borste eller torr trasa.
- Rengör kåpan regelbundet med en fuktig trasa. Använd aldrig rengöringsmedel med lösnings- eller slipmedel.
- Öppna chocken (där sådan finns) med jämna mellanrum och knacka på den för att avlägsna damm som sitter på insidan.

## Reservkontakt (endast Storbritannien och Irland)

Byt ut kontakten enligt följande:

- Gör dig av med den gamla kontakten på lämpligt sätt. Anslut den bruna ledningen till den strömförande anslutningen i den nya kontakten.
- Anslut den blå ledningen till den icke strömförande anslutningen (neutral/nolla).

**Varning!** Anslut inte till jordningsanslutningen. Följ monteringsanvisningarna som medföljer kontakter av god kvalitet. Rekommenderad säkring: 5 A.

## Miljö



Separat insamling. Produkten får inte kastas i hushållssoporna.

Tänk på miljön när du kastar denna Black & Decker-produkt. Kasta den inte tillsammans med hushållsavfallet. Lämnna produkten för separat insamling.



Insamling av uttjänta produkter och förpackningsmaterial gör att material kan återanvändas. Användning av återvunnen material minskar föroreningar av miljön och behovet av råmaterial.

Lokala föreskrifter kan kräva separat insamling av elprodukter från hushållen, vid kommunala samlingsplatser eller hos återförsäljaren när du köper en ny produkt.

Black & Decker samlar in och återvinner uttjänta Black & Decker-produkter. Om du vill utnyttja denna tjänst återlämnar du produkten till en auktoriserad verkstad, som samlar in den för vår räkning.

För information om närmaste auktoriserade verkstad, kontakta det lokala Black & Decker-kontoret på den adress som är angiven i bruksanvisningen. En lista över alla auktoriserade verkstäder samt servicevillkor finns även tillgängliga på Internet: [www.2helpU.com](http://www.2helpU.com).

## Tekniska data

	CD714RE TYP 2	CD714CRE TYP 2	CD714CRES TYP 2
Spänning	VAC 230	230	230
Ineffekt	V 710	710	710
Tomgångshastighet	min <sup>-1</sup> 0-2800	0-2800	0-2800
Maximal borrhärdighet			
Stål/betong	mm 13	13	13
Trä	mm 25	25	25
Vikt	kg 2,0	2,0	2,0

	KR604 CRES TYP 2	KR654 CRES TYP 2	KR714 CRES TYP 2
Spänning	VAC 230	230	230
Ineffekt	W 600	650	710
Tomgångshastighet	min <sup>-1</sup> 0-2800	0-2800	0-2800
Maximal borrhärdighet			
Stål/betong	mm 13	13	13
Trä	mm 20	20	25
Vikt	kg 2,0	2,0	2,0

Ljudnivå enligt EN60745:

Bullertryck (Lpa) 98 dB(A), osäkerhet (K) 3 dB(A)  
Akustisk effekt (Lwa) 109 dB(A), osäkerhet (K) 3 dB(A)

Totala vibrationsvärden (vektorsumman av tre axlar)  
enligt EN 60745:

Slagborrning i betong (ah) = 17,88 m/s<sup>2</sup>,  
osäkerhet (K) = 1,5 m/s<sup>2</sup>

Borrning i metall (ah) = 3,17 m/s<sup>2</sup>, osäkerhet (K) = 1,5 m/s<sup>2</sup>

## EC-deklaration om överensstämmelse

MASKINDIREKTIV



**CD714RE, CD714CRE, CD714CRES,  
KR604CRES, KR654CRES, KR714CRES**

Black & Decker intygar att de produkter som beskrivs under "tekniska data" överensstämmer med: 2006/42/EG, 2014/30/EU, 2011/65/EU EN60745-1 och EN60745-2-1

Om du vill veta mer kontaktar du Black & Decker på följande adress eller läser på bruksanvisningens baksida.

Undertecknad är ansvarig för sammanställningen av tekniska data och gör denna försäkran för Black & Deckers räkning.

R.Laverick

Engineering Manager

Black & Decker Europe, 210 Bath Road, Slough,

Berkshire, SL1 3YD

Storbritannien

11-07-2014

## Garanti

Black & Decker garanterar att produkten är fri från material-och/eller fabriktionsfel vid leverans till kund. Garantin gäller utöver konsumentens rättigheter enligt lag och påverkar inte dessa. Garantin gäller inom medlemsstaterna i Europeiska Unionen och i det Europeiska Frihandelsområdet.

Om en Black & Decker-produkt går sönder på grund av material- och/eller fabriktionsfel eller brister i överensstämmelse med specifikationen, inom 24 månader från köpet, åtar sig Black & Decker att reparera eller byta ut produkten med minsta besvär för kunden, förutom om:

- ◆ Produkten har använts i kommersiellt, yrkesmässigt eller uthyrningsssyfte.
- ◆ Produkten har utsatts för felaktig användning eller skötsel.
- ◆ Produkten har skadats av främmande föremål, ämnen eller genom olyckshändelse.
- ◆ Reparation har utförts av någon annan än en auktoriserad Black & Decker-verkstad.

För att utnyttja garantin skall produkten och inköpskvittot lämnas till återförsäljaren eller till en auktoriserad verkstad. För information om närmaste auktoriserad verkstad, kontakta det lokala Black & Decker-kontoret på den adress som är angiven i bruksanvisningen. En lista på alla auktoriserade verkstäder samt servicevillkor finns även tillgängliga på Internet: [www.2helpU.com](http://www.2helpU.com).

Besök vår webbplats [www.blackanddecker.se](http://www.blackanddecker.se) för att registrera din nya Black & Decker-produkt samt för att erhålla information om nya produkter och specialerbjudanden. Vidare information om märket Black & Decker och vårt produktsortiment återfinns på [www.blackanddecker.se](http://www.blackanddecker.se).

## Bruksområde

Slagdrillen fra Black & Decker er konstruert for boring i tre, metall, plast og mur og for bruk som skrutrekker. Verktøyet er beregnet bare som forbrukerprodukt.

## Sikkerhetsinstruksjoner

### Generelle sikkerhetsadvarsler for elektroverktøy



**Advarsel! Les alle sikkerhetsadvarsler og alle instruksjoner.** Hvis ikke alle instruksjonene blir fulgt, kan det medføre elektrisk støt, brann og/eller alvorlige skader.

### Ta vare på alle advarsler og instruksjoner for fremtidig bruk.

Uttrykket "elektroverktøy" i alle advarslene nedenfor gjelder for strømdrevne elektroverktøy (med ledning) og batteridrevne elektroverktøy (uten ledning).

1. **Sikkerhet i arbeidsområdet**
  - a. **Hold arbeidsområdet rent og godt opplyst.** Rotete arbeidsområder og arbeidsområder uten lys kan føre til ulykker.
  - b. **Ikke arbeid med elektroverktøy i eksplosjonsfarlige omgivelser – der det finnes seg brennbare væsker, gass eller støv.** Elektroverktøy forårsaker gnister som kan antenne støv eller damper.
  - c. **Hold barn og andre personer unna når elektroverktøyet brukes.** Hvis du blir forstyrret under arbeidet, kan du miste kontrollen.
2. **Elektrisk sikkerhet**
  - a. **Støpselet til elektroverktøyet må passe inn i stikkkontakten. Støpselet må ikke forandres på noen som helst måte. Ikke bruk adapterstøpsler sammen med jodede elektroverktøy.** Bruk av originale støpsler og passende stikkontakter reduserer risikoen for elektrisk støt.
  - b. **Unngå kroppskontakt med jodede overflater som rør, radiatorer, komfyrer og kjøleskap.** Det er større fare for elektrisk støt dersom kroppen din er jodet.
  - c. **Hold elektroverktøy unna regn eller fuktighet.** Dersom det kommer vann i et elektroverktøy, øker faren for elektrisk støt.
  - d. **Unngå uforvarlig behandling av ledningen. Elektroverktøyet må aldri bæres eller trekkes etter ledningen, og trekk heller ikke ut støpselet ved å rykke i ledningen. Hold ledningen unna varme, olje, skarpe kanter eller bevegelige deler.** Med skadde eller sammenflokede ledninger øker risikoen for elektrisk støt.
- e. **Når du arbeider utendørs med et elektroverktøy, må du kun bruke en skjøteledning som er godkjent til utendørs bruk.** Når du bruker en skjøteledning som er egnet for utendørs bruk, reduseres risikoen for elektrisk støt.
- f. **Hvis du ikke kan unngå å bruke et elektroverktøy på et fuktig sted, bruker du strømforsyning som er beskyttet med jordfeilbryter.** Bruk av jordfeilbryter reduserer risikoen for elektrisk støt.
3. **Personsikkerhet**
  - a. **Vær oppmerksom, pass på hva du gjør, og vis fornuft når du arbeider med et elektroverktøy. Ikke bruk elektroverktøy når du er trett eller er påvirket av narkotika, alkohol eller medikamenter.** Et øyeblikks uoppmerksomhet under bruk av verktøyet kan føre til alvorlige personskader.
  - b. **Bruk personlig verneutstyr. Bruk alltid vernebriller.** Bruk av personlig verneutstyr, for eksempel støvmaske, sklislire vernesko, hjelm eller hørselsvern som passer til forholdene, reduserer risikoen for personskader.
  - c. **Forhindre utilsikket start av elektroverktøyet. Kontroller at bryteren står i posisjon "av" før du kobler til strømkilden og/eller batteripakken, og før du tar opp eller bærer verktøyet.** Det kan føre til ulykker hvis du bærer elektroverktøyet med fingeren på bryteren, eller kobler til verktøyet når bryteren ikke står i posisjon "av".
  - d. **Fjern innstillingsverktøy eller skrunøkler før du slår på elektroverktøyet.** Et verktøy eller en nøkkel som befinner seg i en roterende del, kan forårsake personskade.
  - e. **Ikke strekk deg for langt. Pass på at du alltid har sikkert fotfeste og god balanse.** Da kan du kontrollere elektroverktøyet bedre i uventede situasjoner.
  - f. **Bruk alltid egnede klær. Ikke bruk løstsittende klær eller smykker. Hold hår, klær og hansker unna bevegelige deler.** Løstsittende klær, smykker eller langt hår kan komme inn i bevegelige deler.
  - g. **Hvis det kan monteres støvavsug- og oppsamlingsinnretninger, må du forvise deg om at disse er tilkoblet og brukes på riktig måte.** Bruk av disse innretningene reduserer faren for forbindelse med støv.
4. **Aktsom håndtering og bruk av elektroverktøy**
  - a. **Ikke bruk makt på elektroverktøyet. Bruk et elektroverktøy som er beregnet på den type arbeid du vil utføre.** Med et passende elektroverktøy arbeider du bedre og sikrere i det angitte effektområdet.

- b. **Ikke bruk elektroverktøy med defekt strømbryter.**  
Et elektroverktøy som ikke kan kontrolleres med bryteren, er farlig og må repareres.
  - c. **Trekk støpselet ut av stikkkontakten og/eller koble fra batteripakken på elektroverktøyet før du utfører innstillinger, skifter tilbehørsdeler eller legger elektroverktøyet bort.** Disse forebyggende sikkerhetstiltakene reduserer risikoen for utilsikket start av elektroverktøyet.
  - d. **Elektroverktøy som ikke er i bruk, må oppbevares utilgjengelig for barn. Ikke la verktøyet brukes av personer som ikke er fortrolig med det, eller som ikke har lest denne bruksanvisningen.**  
Elektroverktøy er farlige når de brukes av uerfarne personer.
  - e. **Vær nøye med vedlikehold av elektroverktøy. Kontroller at bevegelige deler fungerer feilfritt og ikke klemmes fast, om deler er brukket eller skadet, og andre forhold som kan innvirke på elektroverktøyet funksjon. Hvis elektroverktøyet er skadet, må det repareres før bruk.** Dårlig vedlikeholdte elektroverktøy er årsaken til mange uhell.
  - f. **Hold skjæreverktøy skarpe og rene.** Godt vedlikeholdte skjæreverktøy med skarpe egger setter seg ikke så ofte fast og er lettere å føre.
  - g. **Bruk elektroverktøy, tilbehør, bits osv. i henhold til disse instruksjonene. Ta hensyn til arbeidsforholdene og arbeidet som skal utføres.**  
Bruk av elektroverktøy til andre formål enn det som er angitt, kan føre til farlige situasjoner.
- 5. Service**
- a. **Elektroverktøy skal alltid repareres av kvalifisert personell og kun med originale reservedeler.**  
Dette sikrer at elektroverktøyet sikkerhet opprettholdes.

#### Ytterligere sikkerhetsadvarsler for elektroverktøy



**Advarsel!** Ytterligere sikkerhetsadvarsler for driller og slagdriller.

- ◆ **Bruk hørselvern når du bruker slagdrill.** Hvis du utsettes for støy, kan det skade hørselen.
- ◆ **Bruk hjelpehåndtak som følger ned verktøyet.**  
Tap av kontroll kan føre til personskade.
- ◆ **Hold elektroverktøyet i de isolerte grepene når du utfører et arbeid hvor skjæretilbehøret kan komme i kontakt med skjulte ledninger eller sin egen kabel.**  
Hvis en strømførende ledning kutteres, kan frittliggende metaldeler på verktøyet bli strømførende, og brukeren kan få støt.

- ◆ **Bruk klemmer eller andre praktiske metoder for å spenne fast og støtte arbeidsstykket på en stabil plattform.** Holdes arbeidsstykket med hånden eller inn mot kroppen, vil det være ustabil, og dette kan lett føre til at du mister kontrollen.
- ◆ Før du borer i vegger, gulv eller tak, kontrollerer du plasseringen av kabler og rør.
- ◆ Unngå å komme i berøring med spissen på et bor rett etter boring, da den kan være varm.
- ◆ Tiltent bruk er beskrevet i denne håndboken. Bruk av tilbehør eller utføring av oppgaver som ikke er anbefalt for verktøyet i denne håndboken, kan medføre fare for personskade og/eller skade på eiendom.

#### Andre personers sikkerhet

- ◆ Det er ikke meningen at dette verktøyet skal brukes av personer (inkludert barn) med reduserte fysiske, sansemessige eller mentale evner, eller som mangler erfaring og kunnskap, med mindre de har fått oppfølging eller instruksjon når det gjelder bruken av apparatet, fra en person som er ansvarlig for deres sikkerhet.
- ◆ Barn skal være under oppsyn så det sikres at de ikke leker med apparatet.

#### Vibrasjon

Vibrasjonsemisjonsverdien som er angitt under tekniske data og samsvarserklæring, er blitt målt i henhold til en standard testmetode som er angitt i EN 60745, og kan brukes til å sammenligne et verktøy med et annet. Den oppgitte vibrasjonsemisjonsverdien kan også brukes til en foreløpig vurdering av eksponering.

**Advarsel!** Vibrasjonsemisjonsverdien under faktisk bruk av elektroverktøyet kan avvike fra den oppgitte verdien avhengig av måten verktøyet blir brukt på. Vibrasjonsnivået kan øke over nivået som er oppgitt.

Når man vurderer vibrasjonseksponering for å bestemme sikkerhetstiltak som kreves i 2002/44/EF for å beskytte personer som bruker elektroverktøy regelmessig i arbeid, skal man når man anslår vibrasjonseksponeringen, ta hensyn til de faktiske bruksforholdene og måten verktøyet blir brukt på, inkludert hensyn til alle deler av brukssyklusen – også de gangene verktøyet slås av og når det går på tomgang, i tillegg til tiden utløseren er inne.

#### Merking på verktøy

Følgende symboler er vist på verktøyet.



**Advarsel!** Brukeren må lese håndboken for å redusere risikoen for skade.

## Elektrisk sikkerhet



Dette apparatet er dobbeltisolert. Jording er derfor ikke nødvendig. Kontroller at spenningen er i overensstemmelse med spenningen på typeskiltet.

- ◆ Hvis strømledningen blir skadet, må den skiftes av produsenten eller et autorisert Black & Decker-servicesenter for å unngå fare.

## Funksjoner

1. Utløser for variabel hastighet
2. Låseknapp
3. Knapp for fremover/bakover
4. Velger for boremodus
5. Borelås
6. Dybdestopp (ikke alle modeller)
7. Sidehåndtak (ikke alle modeller)

### fig. B

8. Manuell spindellåsknapp (bare for nøkkelfri borelås med én hylse)

## Montering

**Advarsel!** Før monteringen må du passe på at verktøyet er slått av og at kontakten er trukket ut.

### Montering av sidehåndtak og dybdestopp (fig. A)

- ◆ Vri håndtaket mot klokken til du kan skyve sidehåndtaket (7) på forsiden av verktøyet som vist.
- ◆ Vri sidehåndtaket til ønsket stilling.
- ◆ Sett dybdestoppen (6) i monteringshullet som vist.
- ◆ Still inn boredybden som beskrevet nedenfor.
- ◆ Stram sidehåndtaket ved å vri håndtaket med klokken.

## Sette inn et bor

### Nøkkelfri borelås med én hylse (fig. B)

- ◆ Åpne borelåsen ved å trykke på knappen for manuell spindellås (8) og vri hylsen (9) mot klokken.
- ◆ Sett bitskafet (12) inn i borelåsen.
- ◆ Stram borelåsen ved å trykke på den manuelle spindellåsknappen (8) og vri hylsen med klokken til den er stram.

### Nøkkelfri borelås med to hylser (fig. C)

- ◆ Åpne borelåsen ved å vri forparten (10) med den ene hånden mens du holder bakparten (11) med den andre.
- ◆ Sett bitskafet (12) inn i borelåsen og stram borelåsen godt.

### Borelås med nøkkel (fig. D)

- ◆ Åpne borelåsen ved å vri hylsen (11) mot klokken.
- ◆ Sett bitskafet (12) inn i borelåsen.
- ◆ Sett nøkkelen (14) inn i hvert av hullene (15) på siden av borelåsen og vri med klokken til det strammes.

## Ta av og sette på borelåsen (fig. E)

- ◆ Åpne borelåsen så mye som mulig.
- ◆ Fjern skruen i borelåsen ved å vri den med klokken ved hjelp av en skrutrekker.
- ◆ Stram en unbrakonøkkel i borelåsen og slå den med en hammer som vist.
- ◆ Fjern unbrakonøkkelen.
- ◆ Ta av borelåsen ved å skru den mot klokken.
- ◆ Når du skal sette borelåsen på igjen, skru du den på spindelen og fester den med holdeskruen i borelåsen.

## Bruk

**Advarsel!** La verktøyet jobbe med sin egen hastighet. Ikke overbelast det.

**Advarsel!** Før du borer i vegger, gulv eller tak, kontrollerer du plasseringen av kabler og rør.

### Velge rotasjonsretning (fig. F)

For boring og stramming av skruer brukes rotasjon fremover (med klokken). For løsning av skruer eller fjerning av bor som sitter fast, brukes rotasjon bakover (mot klokken).

- ◆ Når du skal velge rotasjon fremover, skyver du kontrollknappen for fremover/bakover (3) til venstre.
- ◆ Når du skal velge rotasjon bakover, skyver du kontrollknappen for fremover/bakover til høyre.

**Advarsel!** Du må aldri skifte rotasjonsretning mens motoren går.

### Velge boremodus

- ◆ Hvis du skal bore i mur, setter du velgeren for bormodus (4) i **T**-stilling.
- ◆ Hvis du skal bore i andre materialer eller skru skruer, setter du velgeren for bormodus i **1**-stilling.

### Stille inn boredybden (fig. G)

- ◆ Løsne sidehåndtaket (7) ved å vri håndtaket mot klokken.
- ◆ Still dybdestoppen (6) til ønsket stilling. Maksimal boreddypte tilsvarer avstanden mellom spissen på boret og forparten av dybdestoppen.
- ◆ Stram sidehåndtaket ved å vri håndtaket med klokken.

### Start og stopp

- ◆ Når du skal slå verktøyet på, trykker du på på/av-bryteren for variabel hastighet (1). Verktøyhastigheten avhenger av hvor langt du trykker bryteren. Bruk lav hastighet for bor med stor diameter og høy hastighet for bor med mindre diameter.
- ◆ Hvis du ønsker å holde verktøyet i kontinuerlig drift, trykker du inn låseknappen (2) og slipper av/på-knappen for variabel hastighet. Dette valget er bare tilgjengelig ved full hastighet ved rotasjon fremover og bakover.

- ◆ Når du skal slå verktøyet av, slipper du på/av-bryteren for variabel hastighet. Hvis du vil slå av verktøyet mens det er i kontinuerlig drift, trykker du inn av/på-knappen for variabel hastighet én gang til og slipper den.

## Tilbehør

Verktøyets ytelse avhenger av tilbehøret du bruker. Tilbehør fra Black & Decker og Piranha er produsert etter høye kvalitetsstandarder og er konstruert for å bedre verktøyets ytelse. Hvis du bruker dette tilbehøret, får du den aller beste ytelsen fra verktøyet ditt.

## Vedlikehold

Black & Decker-verktøyet ditt er konstruert for å være i drift over lengre tid med et minimum av vedlikehold. Det er avhengig av godt vedlikehold og regelmessig rengjøring for å fungere som det skal til enhver tid.

**Advarsel!** Før vedlikehold må verktøyet slås av og støpselet trekkes ut.

- ◆ Rengjør ventilasjonsåpningene i verktøyet jevnlig med en myk børste eller tørr klut.
- ◆ Rengjør motorhuset regelmessig med en ren, fuktig klut. Ikke bruk slipende eller løsemiddelbaserte rengjøringsmidler.
- ◆ Åpne borelåsen regelmessig, og bank på den for å fjerne eventuelt støv fra innsiden (hvis det er aktuelt).

## Bytte strømkontakt (gjelder bare Storbritannia og Irland)

Hvis ny nettplugg må settes på:

- ◆ Deponer den gamle pluggen på miljøvennlig måte.
- ◆ Koble den brune ledningen til det strømførende tilkoblingspunktet i den nye pluggen.
- ◆ Koble den blå ledningen til nullpunkt-klemmen.

**Advarsel!** Det skal ikke kobles til jordkontakten. Følg monteringsinstruksene som følger med kvalitetspluggen. Anbefalt sikring: 5 A.

## Miljø



Separat fjerning. Dette produktet må ikke kastes sammen med husholdningsavfall.

Når Black & Decker-produktet er utslitt, skal det ikke kastes som husholdningsavfall. Dette produktet må kastes separat.



Hvis brukte produkter og emballasje leveres atskilt, kan materialer resirkuleres og brukes på nytt. Resirkulering av brukte produkter gir redusert miljøforurensning og mindre behov for råmaterialer.

Det kan være lokale bestemmelser for egen innsamling av elektriske produkter fra husstander, på kommunale avfallsplasser eller hos forhandleren når du kjøper et nytt produkt.

Black & Decker tar i mot brukte Black & Decker-produkter for resirkulering. Du kan levere produktet til et autorisert serviceverksted.

For informasjon om nærmeste autoriserte serviceverksted, kontakt ditt lokale Black & Decker-kontor på den adressen som er angitt i bruksanvisningen. En oversikt over autoriserte serviceverksteder og opplysninger om ettersalgsservice og kontakter er også tilgjengelig på Internett: [www.2helpU.com](http://www.2helpU.com).

## Tekniske data

	CD714 RE TYPE 2	CD714 CRE TYPE 2	CD714 CRES TYPE 2
Inngangsspenning	V AC 230	230	230
Inn-effekt	W 710	710	710
Hastighet ubelastet	min <sup>-1</sup> 0-2800	0-2800	0-2800
Maks. borekapasitet			
Stål/ betong	mm 13	13	13
Tre	mm 25	25	25
Vekt	kg 2,0	2,0	2,0

	KR604 CRES TYPE 2	KR654 CRES TYPE 2	KR714 CRES TYPE 2
Inngangsspenning	V AC 230	230	230
Inn-effekt	W 600	650	710
Hastighet ubelastet	min <sup>-1</sup> 0-2800	0-2800	0-2800
Maks. borekapasitet			
Stål/ betong	mm 13	13	13
Tre	mm 20	20	25
Vekt	kg 2,0	2,0	2,0

Lydtrykknivå i henhold til EN 60745:

Lydtrykk ( $L_{pA}$ ) 98 dB(A), usikkerhet (K) 3 dB(A)

Akustisk effekt ( $L_{WA}$ ) 109 dB(A), usikkerhet (K) 3 dB(A)

totale vibrasjonsverdier (vektorsum fra tre retninger) i henhold til EN 60745:

Boring med slag i betong ( $a_{h1}$ ) = 17,88 m/s<sup>2</sup>,

usikkerhet (K) = 1,5 m/s<sup>2</sup>

Boring i metall ( $a_{h1}$ ) = 3,17 m/s<sup>2</sup>, usikkerhet (K) = 1,5 m/s<sup>2</sup>

## Samsvarserklæring for EU

MASKINDIREKTIVET



### CD714RE, CD714CRE, CD714CRES, KR604CRES, KR654CRES, KR714CRES

Black & Decker erklærer at produktene som er beskrevet under "Tekniske data", er i samsvar med: 2006/42/EF, 2014/30/EU, 2011/65/EU, EN60745-1 og EN60745-2-1

Du kan få mer informasjon ved å kontakte Black & Decker på følgende adresse eller på adressen på baksiden av håndboken.

Undertegnede er ansvarlig for utarbeidelsen av den tekniske dokumentasjonen og gir denne erklæringen på vegne av Black & Decker.

R. Laverick

Engineering Manager

Black & Decker Europe, 210 Bath Road, Slough,

Berkshire, SL1 3YD

Storbritannia

11-07-2014

## Garanti

Black & Decker er trygg på kvaliteten til sine produkter og tilbyr en enestående garanti. Denne garantierklæringen kommer i tillegg til dine lovbestemte rettigheter, og er ikke i konflikt med disse. Garantien er gyldig i EU- og EFTA-medlemsstatene.

Hvis et Black & Decker-produkt går i stykker på grunn av material- og/eller fabrikkasjonsfeil eller har mangler i forhold til spesifikasjonene, innen 24 måneder fra kjøpet, påtar Black & Decker seg å skifte ut defekte deler, reparere produkter som har vært utsatt for alminnelig slitasje, eller bytte ut slike produkter med minst mulig vanskelighet for kunden, med mindre:

- ◆ Produktet har vært brukt i yrkes-/næringsvirksomhet eller til utleie.
- ◆ Produktet har vært utsatt for feilaktig bruk eller mislighold.
- ◆ Produktet har blitt skadet av fremmede gjenstander eller stoffer eller ved et uhell.
- ◆ Reparasjoner er forsøkt utført av andre enn autoriserte serviceverksteder eller Black & Deckers serviceteknikere.

For å ta garantien i bruk skal produktet og kjøpekvittering leveres til forhandleren eller til et autorisert serviceverksted. For informasjon om nærmeste autoriserte serviceverksted, kontakt ditt lokale Black & Decker-kontor på den adressen som er angitt i bruksanvisningen. En oversikt over autoriserte serviceverksteder og opplysninger om ettersalgsservice og kontakter er også tilgjengelig på Internett: [www.2helpU.com](http://www.2helpU.com).

Besøk vårt webområde [www.blackanddecker.no](http://www.blackanddecker.no) for å registrere ditt nye Black & Decker-produkt og for å holde deg oppdatert om nye produkter og spesialtilbud. Du finner mer informasjon om Black & Decker og produktutvalget vårt på [www.blackanddecker.no](http://www.blackanddecker.no).





- d. **Opbevar ubenyttet elværktøj uden for børns rækkevidde. Lad aldrig personer, der ikke er fortrolige med elværktøj, eller som ikke har gennemlæst disse anvisninger, benytte maskinen.** Elværktøj er farligt, hvis det benyttes af ukyndige personer.
- e. **Elværktøj bør vedligeholdes omhyggeligt. Kontroller for skæve eller fastklemte bevægelige dele, knækkede eller beskadigede dele, der kan påvirke elværktøjets funktion. Få beskadigede dele repareret, inden elværktøjet tages i brug.** Mange uheld skyldes dårligt vedligeholdt elværktøj.
- f. **Hold skæreværktøj skarpt og rent.** Omhyggeligt vedligeholdt skæreværktøj med skarpe skærekanter sætter sig ikke så hurtigt fast og er nemmere at styre.
- g. **Brug elværktøjet, tilbehøret, indsatsværktøj osv. i overensstemmelse med disse anvisninger under hensyntagen til arbejdsforholdene og arbejdet, der skal udføres med værktøjet.** Hvis elværktøjet anvendes til andre formål end de tilsigtede, kan der opstå farlige situationer.
5. **Service**
- a. **Få altid elværktøjet repareret af kvalificerede fagfolk, og brug kun originale reservedele.** Dermed opretholdes elværktøjets sikkerhed.

#### Yderligere sikkerhedsadvarsler for elværktøj



**Advarsel!** Yderligere sikkerhedsadvarsler for boremaskiner og slagboremaskiner.

- ◆ **Bær høreværn ved slagboring.** Støj kan forårsage høretab.
- ◆ **Brug de ekstra håndtag, der følger med værktøjet.** Det kan medføre personskaade, hvis kontrollen over værktøjet mistes.
- ◆ **Hold i elværktøjets isolerede grebflader, hvis der er risiko for, at skæretilbehøret kommer i kontakt med skjulte ledninger eller værktøjets egen ledning.** Hvis skæretilbehøret rammer en strømførende ledning, bliver elværktøjets blotlagte dele strømførende, så brugeren får stød.
- ◆ **Brug skruetvinger eller lignende til at holde og støtte materialet på en stabil platform.** Det er ikke nok at holde materialet i hånden eller ind mod kroppen. Det bliver ustabil, og du kan miste kontrollen over det.
- ◆ **Kontroller placeringen af ledninger og rør, inden der bores i vægge, gulve eller lofter.**
- ◆ **Rør ikke ved spidsen af et bor lige efter boring, det kan være varmt.**
- ◆ **Apparatets påtænkte anvendelse fremgår af vejledningen.** Brugen af ekstraudstyr eller tilbehør eller udførelse af opgaver med værktøjet ud over de i brugervejledningen anbefalede kan medføre risiko for personskaade og/eller materiel skade.

#### Andres sikkerhed

- ◆ Dette værktøj er ikke beregnet til at blive brugt af personer (herunder børn) med nedsatte fysiske, sensoriske eller mentale evner eller manglende erfaring og viden, med mindre det sker under overvågning, eller der gives instruktion i brugen af værktøjet af en person, der er ansvarlig for deres sikkerhed.
- ◆ Børn skal holdes under opsyn, så det sikres, at de ikke leger med værktøjet.

#### Vibration

De angivne værdier for udsendelse af vibration opført under de tekniske data og overensstemmelseserklæringen er målt i henhold til standardtestmetoden anført i EN 60745 og kan bruges til at sammenligne ét værktøj med et andet. Den angivne værdi for udsendelse af vibration kan også bruges som en foreløbig vurdering af eksponeringen.

**Advarsel!** Værdien for udsendelse af vibration ved faktisk brug af elværktøjet kan adskille sig fra den angivne værdi afhængigt af måden, værktøjet anvendes på. Vibrationsniveauet kan overstige det angivne niveau.

I vurderingen af eksponeringen for vibration med henblik på fastsættelse af sikkerhedsforanstaltninger som krævet i 2002/44/EF til beskyttelse af personer, der jævnligt anvender elværktøj i deres arbejde, skal der tages hensyn til de faktiske betingelser under anvendelsen og den måde, værktøjet bruges på, herunder alle arbejdsrytters elementer, f.eks. perioder, hvor værktøjet er slukket og kører i tomgang samt startperioderne.

#### Mærkater på værktøj

Følgende symboler er anbragt på værktøjet.



**Advarsel!** Brugeren skal læse brugervejledningen for at reducere risikoen for skader.

#### Elektricitet og sikkerhed



Denne maskine er dobbelt isoleret. Derfor er en jordledning ikke nødvendig. Kontroller altid, at strømforsyningen svarer til spændingen på typeskiltet.

- ◆ Hvis netledningen beskadiges, skal den udskiftes af producenten eller et autoriseret Black & Decker-værksted, så farlige situationer undgås.

## Funktioner

1. Kontakt til variabel hastighed
2. Spærreknap
3. Retningsomskifter
4. Knap til valg af borefunktion
5. Patron
6. Dybdestop (ikke alle modeller)
7. Sidehåndtag (ikke alle modeller)

### fig. B

8. Knap til manuel spindellåsning (kun nøglefri patron med enkelt muffe)

## Montering

**Advarsel!** Kontroller før montering, at værktøjet er slukket og taget ud af stikkontakten.

### Montering af sidehåndtaget og dybdestoppet (fig. A)

- ◆ Drej grebet mod uret, til du kan trække sidehåndtaget (7) frem til værktøjets forende som vist.
- ◆ Drej sidehåndtaget til den ønskede stilling.
- ◆ Sæt dybdestoppet (6) i monteringshullet som vist.
- ◆ Indstil boreddybden som beskrevet herunder.
- ◆ Spænd sidehåndtaget ved at dreje grebet med uret.

## Montering af et bor

### Nøglefri patron med enkelt muffe (fig. B)

- ◆ Åbn patronen ved at trykke på knappen til manuel låsning af spindel (8) og dreje muffen (9) mod uret.
- ◆ Sæt borets aksel (12) i patronen.
- ◆ Spænd patronen omhyggeligt ved at trykke på knappen til manuel låsning af spindel (8) og dreje muffen med uret, til den sidder fast.

### Nøglefri patron med to muffer (fig. C)

- ◆ Åbn patronen ved at dreje på den forreste del (10) med den ene hånd, mens der holdes fast i den bageste del (11) med den anden hånd.
- ◆ Sæt borets eller skruetrækkerens aksel (12) i patronen, og spænd patronen fast.

### Patron med nøgle (fig. D)

- ◆ Åbn patronen ved at dreje muffen (11) mod uret.
- ◆ Sæt borets aksel (12) i patronen.
- ◆ Sæt patronnøglen (14) i hvert hul (15) på siden af patronen, og drej med uret, til den er strammet.

### Afmontering og genmontering af patronen (fig. E)

- ◆ Åbn patronen så meget som muligt.
- ◆ Fjern patronholderens skrue, der sidder i patronen, ved at dreje den med uret med en skruetrækker.
- ◆ Sæt en unbrakonøgle i patronen, og slå på den med en hammer som vist.

- ◆ Fjern unbrakonøglen.
- ◆ Fjern patronen ved at dreje den mod uret.
- ◆ Monter patronen igen ved at skruer den på spindlen og fastgøre den med patronholdeskruen.

## Anvendelse

**Advarsel!** Lad værktøjet arbejde i dets eget tempo.

Det må ikke overbelastes.

**Advarsel!** Kontroller placeringen af ledninger og rør, inden der bores i vægge, gulve eller lofter.

### Valg af omløbsretning (fig. F).

Brug forlæns omløb (med uret) ved boring og spænding af skrue. Brug baglæns omløb (mod uret) for at løsne skrue eller fjerne et fastklemt bor.

- ◆ Tryk knappen på retningsomskifteren (3) mod venstre for at vælge forlæns omløb.
- ◆ Tryk knappen på retningsomskifteren mod højre for at vælge baglæns omløb.

**Advarsel!** Skift aldrig omløbsretning, mens motoren kører.

### Valg af borefunktion

- ◆ Sæt knappen til valg af borefunktion (4) i stilling **T** for at bore i murværk.
- ◆ Sæt knappen til valg af borefunktion i stilling **2** for at bore i andre materialer og ved brug af maskinen som skruetrækker.

### Indstilling af boreddybde (fig. G)

- ◆ Løsn sidehåndtaget (7) ved at dreje grebet mod uret.
- ◆ Indstil dybdestoppet (6) til den ønskede position. Den maksimale boreddybde er afstanden mellem borets spids og den forreste del af dybdestoppet.
- ◆ Spænd sidehåndtaget ved at dreje grebet med uret.

### Start og stop

- ◆ Tryk på kontakten til variabel hastighed for at starte værktøjet (1). Værktøjets hastighed afhænger af, hvor langt du trykker kontakten. Brug generelt lave hastigheder til bor med stor diameter og lave hastigheder til bor med mindre diameter.
- ◆ Tryk på spærreknapen (2) og udløs kontakten til variabel hastighed for at opnå konstant funktion. Denne indstilling er kun mulig ved fuld hastighed ved både forlæns og baglæns omløb.
- ◆ Udløs kontakten til variabel hastighed for at stoppe værktøjet. Sluk for værktøjet efter arbejde i konstant funktion ved at trykke på kontakten til variabel hastighed igen for at udløse den.

## Tilbehør

Værktøjets ydeevne afhænger af det anvendte tilbehør. Tilbehør fra Black & Decker og Piranha er fremstillet efter høje kvalitetsstandarder og er designet til at forbedre dit værktøjets ydeevne. Når du bruger dette tilbehør, opnår du de bedste resultater med værktøjet.

## Vedligeholdelse

Dit Black & Decker-værktøj er beregnet til brug gennem lang tid med et minimum af vedligeholdelse. Fortsat tilfredsstillende drift afhænger af korrekt behandling af værktøjet samt regelmæssig rengøring.

**Advarsel!** Før der udføres vedligeholdelse, skal værktøjet slukkes, og stikket trækkes ud.

- ◆ Rengør regelmæssigt værktøjets ventilationshuller med en blød børste eller en tør klud.
- ◆ Rengør med jævne mellemrum motorhuset med en fugtig klud. Der må ikke bruges skuremidler eller opløsningsmidler.
- ◆ Åbn jævnlige patronen, og bank på den for at fjerne indvendigt støv (hvis monteret).

## Udskiftning af netstik (kun Storbritannien og Irland)

Sådan monteres et nyt netstik:

- ◆ Det gamle stik skal bortskaffes på en sikker måde.
- ◆ Slut den brune ledning til den strømførende klemme på det nye stik.
- ◆ Slut den blå ledning til den neutrale klemme.

**Advarsel!** Der skal ikke foretages nogen tilslutning til jordklemmen. Følg de monteringsanvisninger, der leveres sammen med kvalitetsstik.

Anbefalet sikring: 5 A.

## Miljøbeskyttelse



Separat bortskaffelse. Dette produkt må ikke bortskaffes sammen med almindeligt husholdningsaffald.

Når dit Black & Decker-produkt en dag er udtjent, eller du ikke længere har brug for det, må du ikke smide det ud sammen med det almindelige affald. Produktet skal bortskaffes separat.



Ved separat bortskaffelse af brugte produkter og emballage bliver der mulighed for at genanvende forskellige materialer. Genanvendelse af materialer medvirker til at forebygge miljøforurening og mindsker behovet for råstoffer.

Lokal lovgivning kan kræve separat indsamling af elektriske husholdningsprodukter på kommunale affaldsdepoter eller af den detailhandlende ved køb af et nyt produkt.

Black & Decker sørger for at indsamle og genanvende Black & Decker-produkter, når disse ikke længere kan bruges. Hvis du vil benytte dig af denne service, skal du returnere produktet til et autoriseret værksted, der indsamler produkterne for os.

Kontakt det lokale Black & Decker-kontor på den adresse, der er angivet i denne vejledning, for at få oplysninger om det nærmeste autoriserede værksted. En liste over alle autoriserede Black & Decker-serviceværksteder samt servicevilkår er tilgængelig på internettet på adressen: [www.2helpU.com](http://www.2helpU.com).

## Tekniske data

	CD714RE	CD714CRE	CD714CRES
	TYPE 2	TYPE 2	TYPE 2
Indgangs-spænding	Vac 230	230	230
Motoreffekt	W 710	710	710
Hastighed uden belastning	min <sup>-1</sup> 0-2800	0-2800	0-2800
Maks. borekapacitet			
Stål/beton	mm 13	13	13
Træ	mm 25	25	25
Vægt	kg 2,0	2,0	2,0

	KR604	KR654	KR714
	CRES	CRES	CRES
	TYPE 2	TYPE 2	TYPE 2
Indgangs-spænding	Vac 230	230	230
Motoreffekt	W 600	650	710
Hastighed uden belastning	min <sup>-1</sup> 0-2800	0-2800	0-2800
Maks. borekapacitet			
Stål/beton	mm 13	13	13
Træ	mm 20	20	25
Vægt	kg 2,0	2,0	2,0

Lydtrykniveau i henhold til EN 60745:

Lydtryk ( $L_{pA}$ ) 98 dB(A), usikkerhed (K) 3 dB(A)

Akustisk effekt ( $L_{WA}$ ) 109 dB(A), usikkerhed (K) 3 dB(A)

Samlede værdier for vibration (triaksial vektorsum) i henhold til EN 60745:

Slagboring i beton ( $a_{h1}$ ) = 17,88 m/s<sup>2</sup>,

usikkerhed (K) = 1,5 m/s<sup>2</sup>

Boring i metal ( $a_{h1}$ ) = 3,17 m/s<sup>2</sup>, usikkerhed (K) = 1,5 m/s<sup>2</sup>

## EU overensstemmelseserklæring

MASKINDIREKTIV



**CD714RE, CD714CRE, CD714CRES,  
KR604CRES, KR654CRES, KR714CRES**

Black & Decker erklærer, at produkterne beskrevet under "Tekniske data" er i overensstemmelse med:

82006/42/EF, 2014/30/EU, 2011/42/EF  
EN60745-1 og EN60745-2-1

Kontakt Black & Decker på nedenstående adresse, eller se bagsiden af vejledningen.

Undertegnede er ansvarlig for udarbejdelsen af de tekniske data og fremsætter denne erklæring på vegne af Black & Decker

R. Laverick

Engineering Manager

Black & Decker Europe, 210 Bath Road, Slough,

Berkshire, SL1 3YD

Storbritannien

11-07-2014

## Garanti

Black & Decker garanterer, at produktet er fri for materielle skader og/eller fabrikationsfejl ved levering til kunden.

Garantien er et tillæg til forbrugers lovsikrede rettigheder og påvirker ikke disse. Garantien gælder inden for medlemsstaterne af den Europæiske Union og i det Europæiske Frihandelsområde.

Hvis et Black & Decker-produkt går i stykker på grund af materiel skade og/eller fabrikationsfejl eller på anden måde ikke fungerer i overensstemmelse med specifikationen inden for 24 måneder fra købsdatoen, påtager Black & Decker sig at reparere eller ombytte produktet med mindst mulig ulempe for kunden. Garantien gælder ikke for fejl og mangler, der er sket i forbindelse med:

- ◆ Produktet har været anvendt erhvervs-mæssigt eller til udlejning.
- ◆ Produktet har været anvendt forkert eller er ikke vedligeholdt.
- ◆ Produktet er beskadiget af fremmedlegemer, substanser eller pga. uheld.
- ◆ Garantien gælder ikke, hvis reparationer er udført af andre end et autoriseret Black & Decker-værksted.

For at udnytte garantien skal produktet og købskvitteringen indleveres til forhandleren eller til et autoriseret værksted.

Kontakt det lokale Black & Decker-kontor på den adresse, der er opgivet i denne vejledning, for at få oplysninger om det nærmeste autoriserede værksted. En liste over alle autoriserede Black & Decker-serviceværksteder samt servicevilkår er tilgængelig på internettet på adressen:

**[www.2helpU.com](http://www.2helpU.com)**

Gå venligst ind på vores website **[www.blackanddecker.dk](http://www.blackanddecker.dk)** for at registrere dit nye produkt og for at blive holdt ajour om nye produkter og specialtilbud. Der findes yderligere oplysninger om mærket Black & Decker og vores produktsortiment på adressen **[www.blackanddecker.dk](http://www.blackanddecker.dk)**.

## Käyttötarkoitus

Black & Decker -poravasara on suunniteltu puun, metallin, muovin ja kiven poraamiseen sekä talttatoihiin. Tämä työkalu on tarkoitettu ainoastaan kotikäyttöön.

## Turvallisuusohjeet

### Sähkötyökalujen yleiset turvavaroitukset



**Varoitus! Lue kaikki turvavaroitukset ja ohjeet.** Ohjeiden noudattamisen laiminlyönti saattaa johtaa sähköiskun, tulipaloon ja/tai vakavaan loukkaantumiseen.

### Säästä kaikki varoitukset ja ohjeet tulevaa käyttöä varten.

Ohjeissa käytetty käsite ”sähkötyökalu” tarkoittaa verkkokäyttöisiä sähkötyökaluja (joissa on verkkojohto) ja akkukäyttöisiä sähkötyökaluja (ilman verkkojohtoa).

1. Työalueen turvallisuus
  - a. **Pidä työskentelyalue puhtaana ja hyvin valaistuna.** Työpaikan epäjärjestys ja valaisemattomat työalueet voivat johtaa tapaturmiin.
  - b. **Älä käytä sähkötyökalua räjähdysalttiissa ympäristössä, jossa on palavaa nestettä, kaasua tai pölyä.** Sähkötyökalu muodostaa kipinöitä, jotka saattavat sytyttää pölyn tai höyryä.
  - c. **Pidä lapset ja sivulliset loitolla sähkötyökalua käyttäessäsi.** Voit menettää laitteen hallinnan, jos huomiosi suuntautuu muualle.
2. Sähköturvallisuus
  - a. **Sähkötyökalun pistokkeen tulee sopia pistorasiaan. Pistoketta ei saa muuttaa millään tavalla. Älä käytä mitään pistorasiasovittimia maadoitettujen sähkötyökalujen kanssa.** Alkuperäiset pistokkeet ja niille sopivat pistorasiat vähentävät sähköiskun vaaraa.
  - b. **Vältä koskettamasta maadoitettuja pintoja, kuten putkia, pattereita, liesiä tai jääkaappeja.** Sähköiskun vaara kasvaa, jos kehosi on maadoitettu.
  - c. **Älä altista sähkötyökalua sateelle tai kosteudelle.** Veden pääseminen sähkötyökalun sisään lisää sähköiskun riskiä.
  - d. **Älä käsittele virtajohtoa kovakouraisesti. Älä käytä sitä sähkötyökalun kantamiseen, vetämiseen tai pistokkeen irrottamiseen pistorasiasta. Pidä johto loitolla kuumuudesta, öljystä, terävistä reunoista ja liikkuvista osista.** Vahingoittuneet tai sotkeutuneet johdot lisäävät sähköiskun vaaraa.
  - e. **Käyttäessäsi sähkötyökalua ulkona käytä ainoastaan ulkokäyttöön soveltuvaa jatkojohtoa.** Ulkokäyttöön soveltuvan jatkojohtoon käyttö pienentää sähköiskun vaaraa.
  - f. **Jos sähkötyökalua on välttämättä käytettävä kosteassa paikassa, käytä jännönsvirtalaitteella (RCD) suojattua virtälähdettä.** Jännönsvirtalaitteen käyttö vähentää sähköiskun vaaraa.
3. Henkilöturvallisuus
  - a. **Keskity työskentelyysi ja noudata tervettä järkeä käyttäessäsi sähkötyökaluja. Älä käytä sähkötyökalua, jos olet väsynyt tai huumeiden, alkoholin tai lääkkeiden vaikutuksen alaisena.** Hetken tarkkaamattomuus sähkötyökalua käytettäessä saattaa johtaa vakavaan loukkaantumiseen.
  - b. **Käytä henkilökohtaisia suojavarusteita. Käytä aina suojalaseja.** Suojavarusteet, kuten hengityssuojain, luistamattomat turvajalkineet, kypärä ja kuulosuojaimet, pienentävät loukkaantumisriskiä, jos niitä käytetään tilanteen mukaan oikein.
  - c. **Vältä tahatonta käynnistämistä. Varmista, että kytkin on off-asennossa, ennen kuin liität laitteen virtalähteeseen ja/tai akkuun, nostat laitteen tai kannat sitä.** Onnettomuusvaara lisääntyy, jos kannat sähkötyökalua sormi käyttökytkimellä tai kytket työkalun virtajohtoon pistorasiaan, kun käyttökytkin on päällä.
  - d. **Irrota mahdollinen säätö- tai kiintoavain, ennen kuin käynnistät sähkötyökalun.** Sähkötyökalun pyöriivään osaan kiinni jäänyt avain voi johtaa loukkaantumiseen.
  - e. **Älä kurkota liian kauas. Seiso aina tukevasti ja tasapainossa.** Tällöin voit paremmin hallita sähkötyökalua yllättävissä tilanteissa.
  - f. **Käytä tarkoitukseen soveltuvia vaatteita. Älä käytä löysiä työvaatteita tai koruja. Pidä hiukset, vaatteet ja käsineet loitolla liikkuvista osista.** Väljät vaatteet, korut ja pitkät hiukset voivat takertua liikkuviin osiin.
  - g. **Jos työkalun voi liittää pölynimuriin, tarkista, että liitos on tehty asianmukaisesti ja että sitä käytetään oikealla tavalla.** Näiden laitteiden käyttö voi vähentää pölystä aiheutuvia vaaroja.
4. Sähkötyökalujen käyttö ja hoito
  - a. **Älä ylikuormita laitetta. Käytä kyseiseen työhön tarkoitettua sähkötyökalua.** Sopivaa sähkötyökalua käyttäen työskentelet paremmin ja turvallisemmin tehoalueella, jolle sähkötyökalu on tarkoitettu.
  - b. **Älä käytä sähkötyökalua, jota ei voida käynnistää ja pysäyttää virtakytkimestä.** Jos sähkötyökalua ei voi käynnistää ja pysäyttää virtakytkimestä, se on vaarallinen ja täytyy korjata.
  - c. **Irrota pistotulppa pistorasiasta ja/tai akku laitteesta, ennen kuin suoritat säätöjä, vaihdat tarvikkeita tai siirrä sähkötyökalun varastoitavaksi.** Nämä turvatoimenpiteet pienentävät sähkötyökalun tahattoman käynnistämisen riskiä.

- d. **Säilytä sähkötyökalut poissa lasten ulottuvilta, kun niitä ei käytetä.** Älä anna sähkötyökalua sellaisen henkilön käyttöön, joka ei tunne sitä tai joka ei ole tutustunut tähän käyttöohjeeseen. Sähkötyökalut ovat vaarallisia kokemattoman käyttäjän käsissä.
- e. **Hoida sähkötyökalusi huolellisesti. Tarkista, että liikkuvat osat toimivat moitteettomasti eivätkä ne ole puristuksessa. Tarkista myös, ettei työkalussa ole murtuneita tai vahingoittuneita osia, jotka saattaisivat vaikuttaa haitallisesti sen toimintaan. Korjauta mahdolliset viat ennen käyttöönnottoa.** Moni tapaturma aiheutuu huonosti huolletuista laitteista.
- f. **Pidä leikkausterät terävinä ja puhtaina.** Huolellisesti hoidettu, terävä työkalu ei tartu herkästi kiinni, ja sitä on helpompi hallita.
- g. **Käytä sähkötyökaluja, tarvikkeita, vaihtotyökaluja jne. näiden ohjeiden mukaisesti. Ota tällöin huomioon työolosuhteet ja suoritettava toimenpide.** Sähkötyökalun käyttö muuhun tarkoitukseen kuin mihin se on tarkoitettu saattaa johtaa vaarallisiin tilanteisiin.
5. **Huolto**
- a. **Korjauta sähkötyökalu koulutetulla ja ammattitaitoisella henkilöllä ja hyväksy korjauksiin vain alkuperäisiä varaosia.** Täten varmistat, että sähkötyökalu säilyy turvallisena.

### Sähkötyökalujen lisäturvaohteet



**Varoitus!** Porien ja iskuporakoneiden lisäturvavaroitukset.

- ◆ **Käytä kuulosuojaimia iskuporakonetta käyttäessäsi.** Altistuminen melulle voi aiheuttaa kuulovaurioita.
- ◆ **Käytä työkalun mukana toimitettuja apukahvoja.** Otteen menettäminen voi aiheuttaa tapaturman.
- ◆ **Pitele sähkötyökalua eristetyistä tartuntapinnoista, kun teet työtä, jossa työkalu voi joutua kosketuksiin piilossa olevien sähköjohtojen tai oman virtajohtonsa kanssa.** Jännitteisen johdon katkaiseminen voi tehdä sähkötyökalun paljaista metalliosista jännitteisiä ja aiheuttaa sähköiskun käyttäjälle.
- ◆ **Kiinnitä työstettävä kappale esimerkiksi ruuvipuristimella tukevaan alustaan.** Kappaleen kannattelemisen käsin tai sen tukeminen omaa kehoa vasten voi johtaa kappaleen irtoamiseen ja vaaratilanteeseen.
- ◆ Ennen kuin poraat seinä, lattiaa tai kattoja, tarkista sähköjohtojen ja putkien sijainti.

- ◆ Älä koske terään heti poraamisen jälkeen. Terä saattaa olla kuuma.
- ◆ Työkalun käyttötarkoitus on kuvattu tässä käyttöohjeessa. Käytä työkalua ainoastaan sellaiseen työhön, johon se on tarkoitettu, ja käytä vain käyttöohjeessa ja tuotekuvastossa suositeltuja tarvikkeita ja lisälaitteita. Ohjeesta poikkeava käyttö voi aiheuttaa henkilö- ja/tai omaisuusvahinkoja.

### Toisten ihmisten turvallisuus

- ◆ Tätä työkalua ei ole tarkoitettu sellaisten henkilöiden käyttöön, joilla on fyysisiä tai älyllisiä rajoitteita tai aistirajoitteita, eikä laitteen toimintaan perehtymättömien henkilöiden käyttöön (lapset mukaan luettuina), paitsi valvonnan alaisina tai jos he ovat saaneet laitteen käyttöön liittyvää opastusta heidän turvallisuudestaan vastaavalta henkilöltä.
- ◆ Lapsia on valvottava ja estettävä leikkimästä laitteella.

### Tärinä

Teknisissä tiedoissa ja yhdenmukaisuusilmoituksessa ilmoitettu tärinäpäästöarvo on mitattu EN 60745 -standardin testausmenetelmän mukaisesti, ja sen avulla voidaan vertailla työkaluja keskenään. Ilmoitettua tärinäpäästöarvoa voidaan käyttää myös altistumisen alustavaan arviointiin.

**Varoitus!** Sähkötyökalun käytön aikana mitattu todellinen tärinäpäästöarvo voi poiketa ilmoitetusta tärinäpäästöarvosta työkalun käyttötavan mukaan. Tärinätaaso voi olla ilmoitettua tasoa suurempi.

Kun tärinälle altistumista arvioidaan sen määrittämiseksi, mitä direktiivin 2002/44/EY mukaisia turvatoimenpiteitä vaaditaan sähkötyökaluja säännöllisesti käyttävien henkilöiden suojelemiseksi, tärinälle altistumisen arvioinnissa on otettava huomioon todelliset käyttöolosuhteet ja työkalun käyttötavat. Todellisen käytön lisäksi on huomioitava myös työkalun sammutettuna oloaika ja tyhjäkäyntiaika.

### Laitteissa olevat merkinnät

Työkalussa on seuraavat kuvamerkinnot.



**Varoitus!** Käyttäjän on luettava käyttöopas vahinkojen välttämiseksi.

### Sähköturvallisuus



Tämä laite on kaksoiseristetty, joten erillistä maadoitusta ei tarvita. Tarkista aina, että virtalähde vastaa arvokilvessä ilmoitettua jännitettä.

- ◆ Jos virtajohto vahingoittuu, sen vaihtaminen tulee turvallisuussyistä jättää valmistajan tai valtuutetun Black & Decker -huollon tehtäväksi.

## Yleiskuvasu

1. Portaaton nopeudensäätö
2. Lukituspainike
3. Eteen-/taaksepäin-painike
4. Poraustavan valitsin
5. Istukka
6. Syyvyysrajoitin (ei kaikissa malleissa)
7. Sivukahva (ei kaikissa malleissa)

### kuva B

8. Manuaalinen karalukon painike (yksiholkinen huoltovapaa istukka)

## Kokoaminen

**Varoitus!** Ennen kokoamista varmista, että kone on pois päältä eikä sitä ole liitetty virtalähteeseen.

### Sivukahvan ja syyvyysrajoittimen kiinnittäminen (kuva A)

- ◆ Kierrä kahvalaskuria myötöpäivään, kunnes voit työntää sivukahvan (7) työkalun eteen kuvan osoittamalla tavalla.
- ◆ Kierrä sivukahva haluttuun asentoon.
- ◆ Työnnä syyvyysrajoitin (6) asennusreikään kuvan osoittamalla tavalla.
- ◆ Säädä poraussyvyys alla kuvatulla tavalla.
- ◆ Kiristä sivukahva kiertämällä kahvaa myötöpäivään.

## Poranterän asentaminen

### Yksiholkinen huoltovapaa istukka (kuva B)

- ◆ Avaa istukka painamalla manuaalista karalukon painiketta (8) ja kiertämällä holkkia (9) vastapäivään.
- ◆ Työnnä terän varsi (12) istukkaan.
- ◆ Kiristä istukka hyvin painamalla manuaalista karalukon painiketta (8) ja kiertämällä holkkia myötöpäivään, kunnes se on kiristetty.

### Kaksiholkinen huoltovapaa istukka (kuva C)

- ◆ Avaa istukka kiertämällä sen etuosaa (10) yhdellä kädellä ja pitämällä kiinni takaosasta (11) toisella.
- ◆ Työnnä terän varsi (12) istukkaan ja kiristä istukka tukevasti.

### Avaimella kiristettävä istukka (kuva D)

- ◆ Avaa istukka kiertämällä holkkia (11) vastapäivään.
- ◆ Työnnä terän varsi (12) istukkaan.
- ◆ Työnnä terän varsi (14) kuhunkin istukan sivulla olevaan reikään (15) ja kiristä kiertämällä myötöpäivään.

### Istukan irrottaminen ja kiinnittäminen (kuva E)

- ◆ Avaa istukka ääriasentoonsa.
- ◆ Irrota istukan kiinnitysruuvi (istukassa) kiertämällä sitä myötöpäivään ruuviavaimella.
- ◆ Kiristä kuusiokoloavain istukkaan ja lyö sitä vasaralla kuvan osoittamalla tavalla.

- ◆ Irrota kuusiokoloavain.
- ◆ Irrota istukka kiertämällä sitä vastapäivään.
- ◆ Asenna istukka kiertämällä se karaan ja kiinnittämällä istukan kiinnitysruuvilla.

## Käyttö

**Varoitus!** Anna koneen käydä omaan tahtiinsa.

Älä ylikuormita sitä.

**Varoitus!** Ennen kuin poraat seinä, lattiaa tai kattoja, tarkista sähköjohtojen ja putkien sijainti.

### Pyörimissuunnan valitseminen (kuva F)

Käytä poraamiseen ja ruuvien kiristämiseen eteenpäin suuntautuvaa pyörimisliikettä (myötöpäivään). Käytä ruuvien irrottamiseen tai jumiutuneen poranterän irrottamiseen taaksepäin suuntautuvaa pyörimisliikettä (vastapäivään).

- ◆ Valitse pyörimissuunta eteenpäin työntämällä eteen-/taaksepäin-painike (3) vasemmalle.
- ◆ Valitse pyörimissuunta taaksepäin työntämällä eteen-/taaksepäin-painike oikealle.

**Varoitus!** Pyörimissuuntaa ei saa vaihtaa moottorin käydessä.

### Porauksen valitseminen

- ◆ Betonia poratessasi aseta porauksen valitsin (4) **T**-asentoon.
- ◆ Poratessasi muita materiaaleja ja käyttäessäsi ruuviavainta aseta porauksen valitsin (4) **1**-asentoon.

### Poraussyvyuden asettaminen (kuva G)

- ◆ Löysää sivukahvaa (7) kiertämällä kahvalaskuria myötöpäivään.
- ◆ Säädä syyvyysrajoitin (6) haluttuun kohtaan. Suurin poraussyvyys on sama kuin poranterän kärjen ja syyvyysrajoittimen etuosan välinen etäisyys.
- ◆ Kiristä sivukahva kiertämällä kahvaa myötöpäivään.

### Käynnistyksen pysäytys

- ◆ Käynnistä laite painamalla nopeudensäätökytkintä (1). Työkalun nopeus määräytyy sen mukaan, kuinka pitkälle kytkintä työnnetään. Yleissääntönä on, että matalat nopeudet sopivat halkaisijaltaan suurille poranterille ja suuret pienille poranterille.
- ◆ Jatkuvaa käyttöä varten paina lukituspainiketta (2) ja vapauta nopeudensäätökytkin. Tämä vaihtoehto on käytettävissä vain laitteen toimiessa täydellä nopeudella eteen- ja taaksepäin.
- ◆ Sammuta laite vapauttamalla nopeudensäätökytkin. Sammuta työkalu jatkuvan käytön aikana painamalla nopeudensäätökytkintä uudelleen ja vapauttamalla se.



## Lisävarusteet

Työkalun suorituskyky riippuu käytetyistä lisävarusteista. Korkealaatuiset Black & Decker- ja Piranha-lisävarusteet on suunniteltu parantamaan työkalun suorituskykyä. Käyttämällä näitä lisävarusteita saat työkalustasi parhaan hyödyn.

## Huolto

Black & Decker -työkalu on suunniteltu toimimaan mahdollisimman pitkän aikaa mahdollisimman vähällä huollolla. Oikealla huollolla ja säännöllisellä puhdistuksella kone säilyttää suorituskykynsä.

**Varoitus!** Katkaise koneesta virta ja irrota virtajohto pistorasiasta aina ennen huoltotoimenpiteitä.

- ◆ Puhdista laitteen ilma-aukot säännöllisesti pehmeällä harjalla tai kuivalla rievulla.
- ◆ Puhdista moottorikotelo säännöllisesti kostealla rievulla. Älä käytä puhdistamiseen liuottimia tai voimakkaita puhdistusaineita.
- ◆ Avaa istukka säännöllisesti ja naputtele pöly pois sen sisältä (soveltuvien osin).

## Varaverkkopistoke (vain Iso-Britannia ja Irlanti)

Jos joudut vaihtamaan verkkopistokkeen:

- ◆ Hävitä vanha pistoke ympäristöstävällisesti.
- ◆ Liitä ruskea johto uuden pistokkeen jännitteeseen napaan.
- ◆ Liitä sininen johto tähtipisteliittimeen.

**Varoitus!** Maadoitusliittimeen ei liitetä johtoa. Noudata pistokkeen mukana toimitettuja kiinnitysohjeita. Suositeltava sulake: 5 A.

## Ympäristö



Erillinen keräys. Tätä tuotetta ei saa hävittää normaalin kotitalousjätteen mukana.

Kun Black & Decker -laitteesi aikanaan täytyy vaihtaa tai ei kelpaa enää käyttöön, älä hävitä laitetta kotitalousjätteen mukana. Toimita laite kierrätettäväksi.



Käytettyjen tuotteiden ja pakkausmateriaalien erilliskeruun avulla materiaalit voidaan kierrättää ja käyttää uudelleen. Kierrätysmateriaalien käyttö auttaa vähentämään ympäristön saastumista ja uusien raaka-aineiden tarvetta.

Paikallisissa säädöksissä voidaan määrätä, että kodin sähkötuotteiden keruu tapahtuu kaupunkien jätteidenkäsittelyasemilla tai laitteita myyvissä liikkeissä uuden tuotteen oston yhteydessä.

Kun laitettasi ei voi enää käyttää, älä hävitä sitä tavallisten roskien mukana, vaan vie se paikkakuntasi kierrätyskeskukseen tai jätä se valtuutettuun Black & Deckerin huoltoilikkeeseen.

Tiedot valtuutetuista huoltoilikkeistä saa ottamalla yhteyttä Black & Decker Oy:hyn Valtuutettujen Black & Decker -huoltoilikkeiden yhteystiedot sekä lisätietoja palveluistamme ja takuuehdoista on Internetissä osoitteessa [www.2helpU.com](http://www.2helpU.com).

## Tekniset tiedot

	CD714 RE MALLI 2	CD714 CRE MALLI 2	CD714 CRES MALLI 2
Syöttöjännite	V AC 230	230	230
Ottoteho	W 710	710	710
Ei latausnopeutta	min <sup>-1</sup> 0-2800	0-2800	0-2800
Suurin mahdollinen porausteho			
Teräs/betoni	mm 13	13	13
Puu	mm 25	25	25
Paino	kg 2,0	2,0	2,0

	KR604 CRES MALLI 2	KR654 CRES MALLI 2	KR714 CRES MALLI 2
Syöttöjännite	V AC 230	230	230
Ottoteho	W 600	650	710
Ei latausnopeutta	min <sup>-1</sup> 0-2800	0-2800	0-2800
Suurin mahdollinen porausteho			
Teräs/betoni	mm 13	13	13
Puu	mm 20	20	25
Paino	kg 2,0	2,0	2,0

Äänenpaineen taso EN60745-standardin mukaisesti:  
Äänenpaine ( $L_{pA}$ ) 98 dB(A), mittausvirhe (K) 3 dB(A)  
Akustinen teho ( $L_{WA}$ ) 109 dB(A), mmittausvirhe (K) 3 dB(A)

Tärinän kokonaisarvot (vektorisumma kolmesta suunnasta)  
EN60745-standarin mukaisesti:

Poraaminen betoniin ( $a_n$ ) = 17,88 m/s<sup>2</sup>  
mittausvirhe (K) = 1,5 m/s<sup>2</sup>

Poraaminen metalliin ( $a_n$ ) = 3,17, mittausvirhe (K) = 1,5 m/s<sup>2</sup>



**EU:n yhdenmukaisuusilmoitus**

KONEDIREKTIIVI


**CD714RE, CD714CRE, CD714CRES,  
KR604CRES, KR654CRES, KR714CRES**

Black & Decker vakuuttaa näiden tuotteiden olevan seuraavien asetusten ja standardien vaatimusten mukaiset:  
2006/42/EY, 2014/30/EU, 2011/65/EU,  
EN60745-1 ja EN60745-2-1

Lisätietoja saa ottamalla yhteyttä Black & Deckeriin tai käyttöohjeen kääntöpuolelta.

Allekirjoittanut vastaa teknisten tietojen kokoamisesta tehden tämän ilmoituksen Black & Deckerin puolesta.

R.Laverick  
Engineering Manager  
Black & Decker Europe, 210 Bath Road, Slough,  
Berkshire, SL1 3YD  
Iso-Britannia  
11-07-2014

**Takuu**

Black & Decker Oy takaa, ettei tuotteessa ollut materiaali- ja/ tai valmistusvikaa silloin, kun se toimitettiin ostajalle. Takuu on lisäys kuluttajan laillisiin oikeuksiin eikä vaikuta niihin. Takuu on voimassa Euroopan unionin jäsenmaissa ja Euroopan vapaakauppa-alueella (EFTA).

Mikäli Black & Decker -tuote hajoaa materiaali- ja/ tai valmistusvirheen tai teknisten tietojen epätarkkuuden vuoksi 24 kk:n kuluessa ostopäivästä, Black & Decker korjaa laitteen ilman kustannuksia ostajalle tai vaihtaa sen uuteen Black & Decker Oy:n valinnan mukaan. Takuu ei kata vikoja, jotka johtuvat laitteen

- ◆ kaupallisesta, ammattimaisesta tai vuokrauskäytöstä
- ◆ ylikuormituksesta, virheellisestä käytöstä tai hoidosta
- ◆ vahingoittamisesta vieraalla esineellä tai aineella tai onnettomuustapauksessa.
- ◆ Takuu ei ole voimassa, mikäli laitetta on korjannut joku muu kuin Black & Deckerin valtuuttama huoltoliike.

Edellytyksenä takuun saamiselle on, että ostaja jättää koneen ja ostokuitin jälleenmyyjälle tai valtuutetulle huoltoliikkeelle. Saat valtuutettujen huoltoliikkeiden yhteystiedot ottamalla yhteyden Black & Decker Oy:hyn tässä käyttöoppaassa ilmoitetussa osoitteessa. Löydät myös valtuutettujen Black & Decker huoltoliikkeiden yhteystiedot sekä lisätietoja palveluistamme ja takuuehdoista Internetissä osoitteessa: [www.2helpU.com](http://www.2helpU.com). Voit vieraila verkkosivuillamme [www.blackanddecker.fi](http://www.blackanddecker.fi) rekisteröidäksesi uuden Black & Decker -tuotteesi ja saadaaksesi tietoa uusista tuotteista ja erikoistarjouksista. Saat lisätietoja Black & Deckerin tavaramerkistä ja tuotevalikoimastamme osoitteesta [www.blackanddecker.fi](http://www.blackanddecker.fi).

## Ενδεξιμένη χρήση

Το κρουστικό τρυπάνι της Black & Decker έχει σχεδιαστεί για τη διάτρηση ξύλου, μετάλλου, πλαστικών και τοιχοποιίας καθώς και για βίδωμα. Αυτό το εργαλείο προορίζεται μόνο για ερασιτεχνική χρήση.

## Οδηγίες ασφαλείας

Γενικές προειδοποιήσεις ασφαλείας για τα ηλεκτρικά εργαλεία



**Προειδοποίηση! Διαβάστε όλες τις προειδοποιήσεις ασφαλείας και όλες τις οδηγίες.** Η μη τήρηση όλων των οδηγιών μπορεί να προκαλέσει ηλεκτροπληξία, πυρκαγιά ή/και σοβαρούς τραυματισμούς.

**Φυλάξτε όλες τις προειδοποιήσεις και τις οδηγίες για μελλοντική αναφορά.**

Ο χαρακτηρισμός "ηλεκτρικό εργαλείο" που χρησιμοποιείται σε όλες τις παρακάτω προειδοποιήσεις αφορά το εργαλείο που συνδέεται στην πρίζα (με καλώδιο) ή το εργαλείο που λειτουργεί με μπαταρία (χωρίς καλώδιο).

1. **Ασφάλεια χώρου εργασίας**
  - a. **Διατηρείτε το χώρο που εργάζεστε καθαρό και καλά φωτισμένο.** Η αταξία στο χώρο που εργάζεστε και τα σημεία χωρίς καλό φωτισμό μπορεί να οδηγήσουν σε ατυχήματα.
  - b. **Μη χρησιμοποιείτε ηλεκτρικά εργαλεία σε περιβάλλον όπου υπάρχει κίνδυνος έκρηξης, π.χ. παρουσία εύφλεκτων υγρών, αερίων ή σκόνης.** Τα ηλεκτρικά εργαλεία παράγουν σπινθήρες οι οποίοι μπορεί να αναφλέξουν τη σκόνη ή τις αναθυμιάσεις.
  - c. **Όταν χρησιμοποιείτε το ηλεκτρικό εργαλείο, κρατάτε τα παιδιά και τα υπόλοιπα άτομα μακριά από το χώρο που εργάζεστε.** Σε περίπτωση που άλλα άτομα αποσπάσουν την προσοχή σας μπορεί να χάσετε τον έλεγχο του μηχανήματος.
2. **Ασφαλής χρήση του ηλεκτρικού ρεύματος**
  - a. **Το φως του καλωδίου του ηλεκτρικού εργαλείου πρέπει να ταιριάζει στην αντίστοιχη πρίζα. Δεν επιτρέπεται με κανένα τρόπο η μετасκευή του φως. Μη χρησιμοποιείτε προσαρμοστικά φως στα γειωμένα ηλεκτρικά εργαλεία.** Τα φως που δεν έχουν υποστεί τροποποιήσεις και οι κατάλληλες πρίζες μειώνουν τον κίνδυνο ηλεκτροπληξίας.
  - b. **Αποφύγετε την επαφή του σώματός σας με γειωμένες επιφάνειες όπως σωλήνες, θερμαντικά σώματα (καλοριφέρ), κουζίνες και ψυγεία.** Όταν το σώμα σας είναι γειωμένο, αυξάνεται ο κίνδυνος ηλεκτροπληξίας.
- c. **Μην εκθέτετε τα ηλεκτρικά εργαλεία στη βροχή ή την υγρασία.** Η διείσδυση νερού στο ηλεκτρικό εργαλείο αυξάνει τον κίνδυνο ηλεκτροπληξίας.
- d. **Μην κακομεταχειρίζεστε το καλώδιο. Μη χρησιμοποιήσετε ποτέ το καλώδιο για να μεταφέρετε το εργαλείο, να το τραβήξετε ή να το αποσυνδέσετε από την πρίζα. Κρατάτε το καλώδιο μακριά από υψηλές θερμοκρασίες, λάδια, κοφτερές ακμές ή κινούμενα εξαρτήματα.** Τυχόν χαλασμένα ή μπερδεμένα καλώδια αυξάνουν τον κίνδυνο ηλεκτροπληξίας.
- e. **Όταν χρησιμοποιείτε το ηλεκτρικό εργαλείο σε εξωτερικούς χώρους, να χρησιμοποιείτε πάντοτε καλώδια προέκτασης κατάλληλα για χρήση σε εξωτερικούς χώρους.** Η χρήση προεκτάσεων κατάλληλων για εργασία σε εξωτερικούς χώρους μειώνει τον κίνδυνο ηλεκτροπληξίας.
- f. **Εάν η χρήση ενός ηλεκτρικού εργαλείου σε μια υγρή τοποθεσία είναι αναπόφευκτη, χρησιμοποιήστε έναν εξοπλισμό προστατευτικής συσκευής παραμένουτος ρεύματος (RCD).** Η χρήση μιας συσκευής RCD μειώνει τον κίνδυνο ηλεκτροπληξίας.
3. **Ασφάλεια προσώπων**
  - a. **Όταν χρησιμοποιείτε το ηλεκτρικό εργαλείο, να είστε προσεκτικοί, να δίνετε προσοχή στην εργασία που κάνετε και να χρησιμοποιείτε την κοινή λογική. Μη χρησιμοποιείτε το ηλεκτρικό εργαλείο όταν είστε κουρασμένοι ή όταν βρίσκεστε υπό την επήρεια ναρκωτικών, οινοπνεύματος ή φαρμάκων.** Μια στιγμή απροσεξία κατά το χειρισμό του ηλεκτρικού εργαλείου μπορεί να οδηγήσει σε σοβαρούς τραυματισμούς.
  - b. **Να χρησιμοποιείτε εξοπλισμό προσωπικής προστασίας. Να φοράτε πάντα προστατευτικά γυαλιά.** Ο κίνδυνος τραυματισμών μειώνεται όταν χρησιμοποιείτε εξοπλισμό προστασίας, όπως μάσκα προστασίας από σκόνη, αντιολισθητικά παπούτσια ασφαλείας, κράνη ή υασιπίδες, ανάλογα με τις συνθήκες εργασίας.
  - c. **Προλαμβάνετε την αθέλητη θέση σε λειτουργία του ηλεκτρικού εργαλείου. Βεβαιωθείτε ότι ο διακόπτης λειτουργίας βρίσκεται στη θέση "OFF" πριν συνδέσετε το εργαλείο στην πρίζα και/ή στην μπαταρία, πριν το σηκώσετε ή το μεταφέρετε.** Η μεταφορά ηλεκτρικών εργαλείων με το δάχτυλό σας επάνω στο διακόπτη ή η σύνδεση στην πρίζα ηλεκτρικών εργαλείων με το διακόπτη στη θέση ενεργοποίησης, ενέχει κινδύνους πρόκλησης ατυχημάτων.

- d. Πριν θέσετε το ηλεκτρικό εργαλείο σε λειτουργία, αφαιρέστε τυχόν εργαλεία ή κλειδιά ρύθμισης. Ένα εργαλείο ή κλειδί συναρμολογημένο στο περιστρεφόμενο εξάρτημα ενός ηλεκτρικού εργαλείου μπορεί να προκαλέσει τραυματισμούς.
- e. Μην τεντώνεστε. Φροντίστε πάντοτε να έχετε την κατάλληλη στάση και να διατηρείτε την ισορροπία σας. Αυτό σας επιτρέπει τον καλύτερο έλεγχο του ηλεκτρικού εργαλείου σε περιπτώσεις απροσδόκητων καταστάσεων.
- f. Φοράτε κατάλληλη ενδυμασία εργασίας. Μη φοράτε φαρδιά ρούχα ή κοσμήματα. Κρατάτε τα μαλλιά, τα ενδύματα και τα γάντια σας μακριά από τα κινούμενα εξαρτήματα. Τα φαρδιά ρούχα, τα κοσμήματα και τα μακριά μαλλιά μπορεί να εμπλακούν στα κινούμενα εξαρτήματα.
- g. Αν προβλέπονται διατάξεις απαγωγής και συλλογής της σκόνης, βεβαιωθείτε ότι είναι συνδεδεμένες και ότι χρησιμοποιούνται σωστά. Η χρήση τέτοιων διατάξεων μειώνει τους κινδύνους που προέρχονται από τη σκόνη.
4. Χρήση και συντήρηση του ηλεκτρικού εργαλείου
- a. Μην υπερφορτώνετε το ηλεκτρικό εργαλείο. Χρησιμοποιείτε για την εκάστοτε εργασία σας το ηλεκτρικό εργαλείο που προορίζεται γι' αυτήν. Με το κατάλληλο ηλεκτρικό εργαλείο εργάζεστε καλύτερα και ασφαλέστερα στην ονομαστική περιοχή ισχύος του.
- b. Μη χρησιμοποιήσετε ποτέ ένα ηλεκτρικό εργαλείο του οποίου ο διακόπτης λειτουργίας είναι χαλασμένος. Ένα ηλεκτρικό εργαλείο του οποίου η λειτουργία δεν μπορεί να ελεγχθεί με το διακόπτη είναι επικίνδυνο και πρέπει να επισκευαστεί.
- c. Βγάλτε το φως από την πρίζα ή/και την μπαταρία από το ηλεκτρικό εργαλείο, πριν αλλάξετε κάποιο εξάρτημα ή όταν πρόκειται να αποθηκεύσετε τα ηλεκτρικά εργαλεία. Αυτά τα προληπτικά μέτρα ασφαλείας μειώνουν τον κίνδυνο να τεθεί το εργαλείο αθέλητα σε λειτουργία.
- d. Να φυλάτε τα ηλεκτρικά εργαλεία που δεν χρησιμοποιείτε μακριά από παιδιά. Μην αφήνετε άτομα που δεν είναι εξοικειωμένα με το ηλεκτρικό εργαλείο ή που δεν έχουν διαβάσει αυτές τις οδηγίες χρήσης να το χρησιμοποιήσουν. Τα ηλεκτρικά εργαλεία είναι επικίνδυνα όταν χρησιμοποιούνται από άπειρα άτομα.
- e. Να συντηρείτε τα ηλεκτρικά εργαλεία. Ελέγξτε εάν τα κινούμενα μέρη είναι σωστά ευθυγραμμισμένα ή αν έχουν μπλοκάρει, εάν έχουν σπάσει κομμάτια και εάν πληρούνται όλες οι υπόλοιπες συνθήκες που ενδεχομένως να επηρεάσουν τη σωστή λειτουργία του εργαλείου. Εάν εμφανίζει βλάβη, δώστε το ηλεκτρικό εργαλείο για επισκευή πριν το χρησιμοποιήσετε. Η ανεπαρκής συντήρηση των ηλεκτρικών εργαλείων αποτελεί αιτία πολλών ατυχημάτων.
- f. Διατηρείτε τα κοπτικά εργαλεία κοφτερά και καθαρά. Τα κοπτικά εργαλεία με αιχμηρά κοπτικά άκρα που συντηρούνται σωστά έχουν λιγότερες πιθανότητες να μπλοκάρουν και ελέγχονται ευκολότερα.
- g. Να χρησιμοποιείτε τα ηλεκτρικά εργαλεία, τα εξαρτήματα και τα άκρα των εργαλείων κλπ σύμφωνα με τις παρούσες οδηγίες, λαμβάνοντας υπόψη σας τις συνθήκες εργασίας και την εργασία που θέλετε να εκτελέσετε. Η χρήση του ηλεκτρικού εργαλείου για εργασίες πέρα από τις προβλεπόμενες μπορεί να οδηγήσει σε επικίνδυνες καταστάσεις.
5. Σέρβις
- a. Το σέρβις του ηλεκτρικού σας εργαλείου πρέπει να αναλαμβάνει έμπειρος τεχνικός που θα χρησιμοποιεί μόνο γνήσια ανταλλακτικά. Έτσι εξασφαλίζεται η διατήρηση της ασφάλειας του ηλεκτρικού εργαλείου.

#### Συμπληρωματικές προειδοποιήσεις ασφαλείας για τα ηλεκτρικά εργαλεία.



**Προειδοποίηση!** Συμπληρωματικές προειδοποιήσεις ασφαλείας για τρυπάνια και κρουστικά τρυπάνια.

- ◆ Όταν χρησιμοποιείτε κρουστικά τρυπάνια, να φοράτε ωτοασπίδες. Η έκθεση σε θόρυβο μπορεί να προκαλέσει απώλεια της ακοής.
- ◆ Χρησιμοποιείτε τις βοηθητικές λαβές που παρέχονται μαζί με το εργαλείο. Η απώλεια ελέγχου του εργαλείου μπορεί να προκαλέσει τραυματισμό.
- ◆ Κρατάτε το ηλεκτρικό εργαλείο από τις μονωμένες επιφάνειες συγκράτησης όταν εκτελείτε κάποια εργασία κατά την οποία το εξάρτημα κοπής μπορεί να έρθει σε επαφή με κρυμμένα καλώδια ή με το δικό του καλώδιο. Η επαφή του εξαρτήματος κοπής με ένα καλώδιο υπό τάση θα θέσει τα μεταλλικά μέρη του εργαλείου υπό τάση και θα "τινάξει" το χειριστή.

- ◆ **Χρησιμοποιείτε σφιγκτήρες ή άλλα πρακτικά μέσα για να ασφαλίσετε και να συγκρατείτε το προς επεξεργασία αντικείμενο σε ένα σταθερό πάγκο.**

Η συγκράτηση του αντικειμένου με το χέρι ή επάνω στο σώμα σας το καθιστά ασταθές και μπορεί να οδηγήσει σε απώλεια του ελέγχου.

- ◆ Πριν τη διάτρηση τοίχων, δαπέδων ή ταβανιών, ελέγχετε για τυχόν διερχόμενα καλώδια και σωλήνες.
- ◆ Αποφεύγετε να αγγίζετε την άκρη του τρυπανιού αμέσως μετά τη διάτρηση, καθώς μπορεί να καίει.
- ◆ Η ενδεδειγμένη χρήση περιγράφεται σε αυτό το εγχειρίδιο οδηγιών. Η χρήση οποιοδήποτε αξεσουάρ ή προσαρτήματος ή η εκτέλεση οποιασδήποτε εργασίας με αυτό το εργαλείο διαφορετικής από αυτές που συστήνονται στο παρόν εγχειρίδιο οδηγιών ενδέχεται να εγκυμονεί κίνδυνο τραυματισμού και/ή ζημιάς σε ιδιοκτησία.

### Ασφάλεια τρίτων

- ◆ Αυτό το εργαλείο δεν προορίζεται για χρήση από άτομα (στα οποία περιλαμβάνονται και τα παιδιά) με μειωμένες φυσικές, αντιληπτικές ή διανοητικές ικανότητες, ή άτομα χωρίς εμπειρία και γνώσεις, παρά μόνο εφόσον επιτηρούνται ή τους έχουν δοθεί οδηγίες σχετικά με τη χρήση του εργαλείου από άτομο υπεύθυνο για την ασφάλεια τους.
- ◆ Τα παιδιά πρέπει να επιτηρούνται για να είστε σίγουροι ότι δεν παίζουν με το εργαλείο.

### Δόνηση

Η δηλωμένη τιμή εκπομπής δόνησης που αναφέρεται στα τεχνικά χαρακτηριστικά και τη δήλωση συμμόρφωσης έχει μετρηθεί σύμφωνα με μια τυποποιημένη μέθοδο δοκιμής που παρέχεται από το πρότυπο EN 60745 και μπορεί να χρησιμοποιηθεί για τη σύγκριση ενός εργαλείου με ένα άλλο. Η δηλωμένη τιμή εκπομπής δόνησης μπορεί επίσης να χρησιμοποιηθεί σε έναν προκαταρκτικό προσδιορισμό της έκθεσης.

**Προειδοποίηση!** Η τιμή εκπομπής δόνησης κατά την πραγματική χρήση του ηλεκτρικού εργαλείου μπορεί να διαφέρει από τη δηλωμένη τιμή ανάλογα με το τρόπο που χρησιμοποιείται το εργαλείο. Η στάθμη δόνησης μπορεί να αυξηθεί πάνω από τη στάθμη που έχει δηλωθεί.

Κατά τον προσδιορισμό της έκθεσης σε δόνηση για τον καθορισμό των απαιτούμενων μέτρων ασφάλειας σύμφωνα με την οδηγία 2002/44/ΕΚ για την προστασία προσώπων που χρησιμοποιούν συχνά ηλεκτρικά εργαλεία στην εργασία τους, μια προσεγγιστική εκτίμηση της έκθεσης σε δόνηση πρέπει να λαμβάνει υπόψη τις πραγματικές συνθήκες χρήσης και τον τρόπο χρήσης του εργαλείου, συμπεριλαμβανομένων και όλων των επιμέρους τμημάτων του κύκλου εργασίας, όπως, πόσες φορές τέθηκε το εργαλείο εκτός λειτουργίας και πότε είναι σε λειτουργία χωρίς φορτίο επιπρόσθετα στο χρόνο πίεσης της σκανδάλης.

### Ετικέτες στα εργαλεία

Τα ακόλουθα εικονογράμματα εμφανίζονται στη συσκευή.



**Προειδοποίηση!** Για να μειωθεί ο κίνδυνος τραυματισμού, ο χρήστης πρέπει να διαβάσει το εγχειρίδιο οδηγιών.

### Ασφαλής χρήση του ηλεκτρικού ρεύματος



Αυτό το εργαλείο φέρει διπλή μόνωση, επομένως δεν απαιτείται σύρμα γείωσης. Ελέγχετε πάντοτε αν η τάση τροφοδοσίας αντιστοιχεί σε αυτήν που αναγράφεται στην πινακίδα στοιχείων του εργαλείου.

- ◆ Αν το καλώδιο ρεύματος έχει υποστεί φθορά, η αντικατάστασή του πρέπει να γίνει από τον κατασκευαστή ή από ένα εξουσιοδοτημένο κέντρο της Black & Decker, ώστε να μην αποτελέσει κίνδυνο.

### Χαρακτηριστικά

1. Διακόπτης μεταβλητής ταχύτητας
2. Κουμπί συνεχόμενης λειτουργίας
3. Κουμπί κίνησης προς τα εμπρός/πίσω
4. Επιλογέας τρόπου διάτρησης
5. Σφιγκτήρας τρυπανιού (τσοκ)
6. Αναστολέας βάθους (οχι σε όλα τα μοντέλα)
7. Πλευρική λαβή (οχι σε όλα τα μοντέλα)

### εικ. Β

8. Κουμπί χειροκίνητης ασφάλισης άξονα (μόνο για τσοκ μονού κολάρου χωρίς κλειδί)

### Συναρμολόγηση

**Προειδοποίηση!** Πριν από τη συναρμολόγηση, βεβαιωθείτε ότι το εργαλείο είναι σβηστό και ότι το φις δεν είναι στην πρίζα.

### Τοποθέτηση της πλευρικής λαβής και του αναστολέα βάθους (εικ. Α)

- ◆ Περιστρέψτε τη λαβή αριστερόστροφα μέχρι να μπορείτε να περάσετε την πλευρική λαβή (7) στο εμπρός μέρος του εργαλείου όπως φαίνεται.
- ◆ Περιστρέψτε την πλευρική λαβή στην επιθυμητή θέση.
- ◆ Εισάγετε τον αναστολέα βάθους (6) στην οπή τοποθέτησής του όπως φαίνεται.
- ◆ Ρυθμίστε το βάθος διάτρησης όπως περιγράφεται παρακάτω.
- ◆ Σφίξτε την πλευρική λαβή περιστρέφοντας τη λαβή δεξιόστροφα.

### Τοποθέτηση της μύτης τρυπανιού

#### Τσοκ μονού κολάρου χωρίς κλειδί (εικ. Β)

- ◆ Ανοίξτε το τσοκ πιέζοντας το κουμπί χειροκίνητης ασφάλισης άξονα (8) και περιστρέφοντας το κολάρο (9) αριστερόστροφα.
- ◆ Εισάγετε τον άξονα της μύτης (12) στο τσοκ.
- ◆ Σφίξτε καλά το τσοκ πιέζοντας το κουμπί χειροκίνητης ασφάλισης άξονα (8) και περιστρέφοντας το κολάρο δεξιόστροφα μέχρι να σφίξει.

#### Τσοκ διπλού κολάρου χωρίς κλειδί (εικ. C)

- ◆ Ανοίξτε το τσοκ περιστρέφοντας το εμπρός τμήμα (10) με το ένα χέρι ενώ συγκρατείτε το πίσω μέρος (11) με το άλλο.
- ◆ Τοποθετήστε τον άξονα της μύτης (12) στο τσοκ και σφίξτε καλά το τσοκ.

#### Τσοκ με κλειδί (εικ. D)

- ◆ Ανοίξτε το τσοκ περιστρέφοντας το κολάρο (11) αριστερόστροφα.
- ◆ Εισάγετε τον άξονα της μύτης (12) στο τσοκ.
- ◆ Εισάγετε το κλειδί του τσοκ (14) σε κάθε οπή (15) στο πλευρό του τσοκ και περιστρέψτε δεξιόστροφα μέχρι να σφίξει.

#### Αφαίρεση και επανατοποθέτηση του τσοκ (εικ. E)

- ◆ Ανοίξτε το τσοκ όσο το δυνατό περισσότερο.
- ◆ Αφαιρέστε τη βίδα συγκράτησης του τσοκ, η οποία βρίσκεται μέσα στο τσοκ, περιστρέφοντάς την δεξιόστροφα με ένα κατασαβίδι.
- ◆ Σφίξτε ένα κλειδί Allen μέσα στο τσοκ και κτυπήστε το με ένα σφυρί όπως φαίνεται.
- ◆ Αφαιρέστε το κλειδί Allen.
- ◆ Αφαιρέστε το τσοκ περιστρέφοντάς το προς τα αριστερά.
- ◆ Για να επανατοποθετήσετε το τσοκ, βιδώστε το στον άξονα και ασφαλίστε το με τη βίδα συγκράτησης του τσοκ.

### Χρήση

**Προειδοποίηση!** Αφήστε το εργαλείο να λειτουργήσει με το δικό του ρυθμό. Μην το υπερφορτώνετε.

**Προειδοποίηση!** Πριν τη διάτρηση τοίχων, δαπέδων ή ταβανιών, ελέγχετε για τυχόν διερχόμενα καλώδια και σωλήνες.

#### Επιλογή της κατεύθυνσης περιστροφής (εικ. F)

Για διάτρηση και για να σφίγγετε βίδες, χρησιμοποιήστε την προς τα εμπρός (δεξιόστροφη) περιστροφή. Για να χαλαρώνετε βίδες και για την αφαίρεση μια μύτης τρυπανιού που έχει κολλήσει χρησιμοποιήστε την ανάστροφη (αριστερόστροφη) περιστροφή.

- ◆ Για επιλογή της προς τα εμπρός περιστροφής, πιέστε το κουμπί κίνησης προς τα εμπρός/πίσω (3) στην αριστερή θέση.
- ◆ Για επιλογή της ανάστροφης περιστροφής, πιέστε το κουμπί κίνησης προς τα εμπρός/πίσω στη δεξιά θέση.

**Προειδοποίηση!** Ποτέ μην αλλάζετε την κατεύθυνση περιστροφής όταν το μοτέρ βρίσκεται σε λειτουργία.

#### Επιλογή τρόπου διάτρησης

- ◆ Για διάτρηση τοιχοποιίας, θέστε τον επιλογέα τρόπου διάτρησης (4) στη θέση **T**.
- ◆ Για διάτρηση σε άλλα υλικά και για βίδωμα, θέστε τον επιλογέα τρόπου διάτρησης στη θέση **1**.

#### Ρύθμιση του βάθους διάτρησης (εικ. G)

- ◆ Χαλαρώστε την πλευρική λαβή (7) περιστρέφοντας τη λαβή αριστερόστροφα.
- ◆ Θέστε τον αναστολέα βάθους (6) στη θέση που επιθυμείτε. Το μέγιστο βάθος διάτρησης είναι ίσο με την απόσταση μεταξύ του άκρου της μύτης τους τρυπανιού και του εμπρός μέρους του αναστολέα βάθους.
- ◆ Σφίξτε την πλευρική λαβή περιστρέφοντας τη λαβή δεξιόστροφα.

#### Ενεργοποίηση και απενεργοποίηση του εργαλείου

- ◆ Για να ενεργοποιήσετε το εργαλείο, πιέστε το διακόπτη μεταβλητής ταχύτητας on/off (1). Η ταχύτητα λειτουργίας του εργαλείου εξαρτάται από το πόσο πιέζετε το διακόπτη. Σα γενικός κανόνας, χρησιμοποιήστε χαμηλές ταχύτητες για μύτες τρυπανιού μεγάλης διαμέτρου και υψηλές ταχύτητες για μικρότερης διαμέτρου μύτες τρυπανιού.
- ◆ Για συνεχή λειτουργία, πατήστε το κουμπί συνεχόμενης λειτουργίας (2) και αφήστε ελεύθερο το διακόπτη μεταβλητής ταχύτητας. Η επιλογή αυτή είναι διαθέσιμη μόνο στη μέγιστη ταχύτητα τόσο προς τα εμπρός όσο και στην ανάστροφη περιστροφή.

- ◆ Για να απενεργοποιήσετε το εργαλείο, πιέστε το διακόπτη μεταβλητής ταχύτητας. Για να απενεργοποιήσετε το εργαλείο όταν βρίσκεται σε συνεχόμενη λειτουργία, πατήστε το διακόπτη μεταβλητής ταχύτητας ακόμη μία φορά και αφήστε τον ελεύθερο.

## Αξεσουάρ

Η απόδοση του εργαλείου σας εξαρτάται από τα αξεσουάρ που χρησιμοποιούνται. Τα αξεσουάρ της Black & Decker και της Piranha έχουν κατασκευαστεί μηχανικά με πρότυπα υψηλής ποιότητας και είναι σχεδιασμένα για να ενισχύουν την απόδοση του εργαλείου σας. Χρησιμοποιώντας αυτά τα αξεσουάρ θα πάρετε ό,τι το καλύτερο από το εργαλείο σας.

## Συντήρηση

Αυτό το εργαλείο της Black & Decker έχει σχεδιαστεί έτσι ώστε να λειτουργεί για μεγάλο χρονικό διάστημα με την ελάχιστη δυνατή συντήρηση. Η αδιάλειπτη και ικανοποιητική λειτουργία του εργαλείου εξαρτάται από τη φροντίδα και τον τακτικό καθαρισμό.

**Προειδοποίηση!** Πριν από κάθε εργασία συντήρησης πρέπει να θέτετε το εργαλείο εκτός λειτουργίας και να το βγάξετε από την πρίζα.

- ◆ Καθαρίζετε τακτικά τις εγκοπές εξερισμού του εργαλείου με μια μαλακή βούρτσα ή με ένα στεγνό πανί.
- ◆ Να καθαρίζετε τακτικά το περίβλημά του μοτέρ με ένα καθαρό και υγρό πανί. Μη χρησιμοποιείτε λειαντικά καθαριστικά ή υγρά καθαρισμού που περιέχουν διαλυτικά.
- ◆ Να ανοίγετε τακτικά το τσοκ και να το χτυπάτε ελαφρά για να αφαιρείται η σκόνη από το εσωτερικό του (Εμφόσον εφαρμόζεται).

## Αντικατάσταση του ρευματολήπτη

(M.B. & Ιρλανδία μόνο)

Αν χρειαστεί να εγκαταστήσετε ένα καινούριο ρευματολήπτη (φίς):

- ◆ Αφαιρέστε με ασφαλή τρόπο το παλιό φίς.
- ◆ Συνδέστε τον καφέ αγωγό στον ηλεκτροφόρο ακροδέκτη του νέου ρευματολήπτη.
- ◆ Συνδέστε τον μπλε αγωγό στον ουδέτερο ακροδέκτη.

**Προειδοποίηση!** Δε χρειάζεται καμία σύνδεση στον ακροδέκτη γείωσης. Ακολουθήστε τις οδηγίες τοποθέτησης που παρέχονται με τους καλής ποιότητας ρευματολήπτες (φίς). Προτεινόμενη ασφάλεια τήξης: 5 A.

## Προστασία του περιβάλλοντος



Επιλεκτική περισυλλογή. Αυτό το προϊόν δεν πρέπει να απορρίπτεται μαζί με τα κοινά οικιακά απορρίμματα.

Εάν κάποια μέρα διαπιστώσετε ότι το προϊόν σας Black & Decker χρειάζεται αντικατάσταση, ή ότι δεν το χρειάζεστε άλλο, μην το απορρίψετε μαζί με τα κοινά οικιακά απορρίμματα αλλά κάντε αυτό το προϊόν διαθέσιμο για ανεξάρτητη αποκομιδή.



Η ανεξάρτητη συλλογή των μεταχειρισμένων προϊόντων και των υλικών συσκευασίας δίνει τη δυνατότητα ανακύκλωσης και επαναχρησιμοποίησης των υλικών. Με την επαναχρησιμοποίηση των ανακυκλωμένων υλικών αποτρέπεται η μόλυνση του περιβάλλοντος και μειώνεται η ζήτηση πρώτων υλών.

Οι κανονισμοί που ισχύουν στην περιοχή σας ενδέχεται να προβλέπουν την επιλεκτική περισυλλογή των ηλεκτρικών συσκευών που προέρχονται από νοικοκυριά σε κρατικές εγκαταστάσεις ή από τον έμπορο όταν αγοράσετε ένα καινούργιο προϊόν.

Η Black & Decker δίνει τη δυνατότητα ανακύκλωσης των προϊόντων της που έχουν συμπληρώσει τη διάρκεια ζωής τους. Για να χρησιμοποιήσετε αυτήν την υπηρεσία, επιστρέψτε το προϊόν σας σε οποιοδήποτε εξουσιοδοτημένο κέντρο επισκευών, όπου θα το παραλάβουν εκ μέρους μας.

Ενημερωθείτε για το πλησιέστερο εξουσιοδοτημένο κέντρο επισκευών της περιοχής σας, επικοινωνώντας με τα γραφεία της Black & Decker στη διεύθυνση που αναγράφεται στο εγχειρίδιο. Επίσης, για να πληροφορηθείτε για τα εξουσιοδοτημένα κέντρα επισκευών της Black & Decker και τους αρμόδιους των υπηρεσιών που παρέχονται μετά την πώληση, μπορείτε να ανατρέξετε στο Διαδίκτυο, στη διεύθυνση: [www.2helpU.com](http://www.2helpU.com).

## Τεχνικά χαρακτηριστικά

	CD714RE ΤΥΠΟΣ 2	CD714CRE ΤΥΠΟΣ 2	CD714CRES ΤΥΠΟΣ 2
Τάση εισόδου	Vac 230	230	230
Ισχύς εισόδου	W 710	710	710
Ταχύτητα χωρίς φορτίο Μεγ. ικανότητα διάτρησης	min <sup>-1</sup> 0-2800	0-2800	0-2800
Χαλύβας/τσιμέντο	mm 13	13	13
Ξύλο	mm 25	25	25
Βάρος	kg 2,0	2,0	2,0

	<b>KR604</b>	<b>KR654</b>	<b>KR714</b>
	<b>CRES</b>	<b>CRES</b>	<b>CRES</b>
	<b>ΤΥΠΟΣ 2</b>	<b>ΤΥΠΟΣ 2</b>	<b>ΤΥΠΟΣ 2</b>
Τάση εισόδου	Vac 230	230	230
Ισχύς εισόδου	W 600	650	710
Ταχύτητα χωρίς φορτίο	min <sup>-1</sup> 0-2800	0-2800	0-2800
Μεγ. ικανότητα διάτρησης			
Χάλυβας/τσιμέντο	mm 13	13	13
Ξύλο	mm 20	20	25
Βάρος	kg 2,0	2,0	2,0

Στάθμη ηχητικής πίεσης, μετρημένης σύμφωνα με το πρότυπο EN 60745:

Ηχητική πίεση ( $L_{pA}$ ) 98 dB(A), αβεβαιότητα (K) 3dB(A)

Ηχητική ισχύς ( $L_{WA}$ ) 109 dB(A), αβεβαιότητα (K) 3dB(A)

Οι συνολικές τιμές δόνησης (διανυσματικό άθροισμα τριών αξόνων) καθορίστηκαν σύμφωνα με το πρότυπο EN60745:

Κρουστική διάτρηση σε τσιμέντο ( $a_h$ ) = 17,88 m/s<sup>2</sup>,  
αβεβαιότητα (K) = 1,5 m/s<sup>2</sup>

Διάτρηση μετάλλου ( $a_h$ ) = 3,17 m/s<sup>2</sup>, αβεβαιότητα (K) =  
1,5 m/s<sup>2</sup>

## Δήλωση συμμόρφωσης με την Ευρωπαϊκή Κοινότητα

ΟΔΗΓΙΑ ΠΕΡΙ ΜΗΧΑΝΗΜΑΤΩΝ



**CD714RE, CD714CRE, CD714CRES,  
KR604CRES, KR654CRES, KR714CRES**

H Black & Decker δηλώνει ότι αυτά τα προϊόντα που περιγράφονται στα "τεχνικά χαρακτηριστικά" συμμορφώνονται με: 2006/42/ΕΚ, 2014/30/ΕΕ, 2011/65/ΕΕ, EN60745-1 και EN60745-2-1

Για περισσότερες πληροφορίες, παρακαλούμε επικοινωνήστε με την Black & Decker στην παρακάτω διεύθυνση ή ανατρέξτε στο πίσω μέρος του χειριδίου.

Ο κάτωθι υπογεγραμμένος είναι υπεύθυνος για την κατάρτιση του τεχνικού φακέλου και δηλώνει τα παρόντα εκ μέρους της Black & Decker.

R.Laverick  
Engineering Manager  
Black & Decker Europe, 210 Bath Road, Slough,  
Berkshire, SL1 3YD  
Ηνωμένο Βασίλειο  
11-07-2014

### Εγγύηση

H Black & Decker είναι σίγουρη για την ποιότητα των προϊόντων της και παρέχει σημαντική εγγύηση. Η παρούσα γραπτή εγγύηση αποτελεί πρόσθετο δικαίωμά σας και δεν ζημιώνει τα νόμιμα δικαιώματά σας. Η εγγύηση ισχύει εντός της επικράτειας των Κρατών Μελών της Ευρωπαϊκής Ένωσης και της Ευρωπαϊκής Ζώνης Ελευθέρων Συναλλαγών.

Σε περίπτωση που κάποιο προϊόν της Black & Decker παρουσιάσει βλάβη εξαιτίας ελαττωματικών υλικών, ποιότητας εργασίας ή έλλειψης συμφωνίας με τις προδιαγραφές εντός 24 μηνών από την ημερομηνία αγοράς, η Black & Decker εγγυάται την αντικατάσταση των ελαττωματικών τμημάτων, την επισκευή προϊόντων που έχουν υποστεί εύλογη φθορά λόγω χρήσης ή την αντικατάσταση των προϊόντων προκειμένου να εξασφαλίσει την ελάχιστη ενόχληση στους πελάτες της, εκτός εάν:

- ♦ Το προϊόν έχει χρησιμοποιηθεί σε εργασιακό, επαγγελματικό περιβάλλον ή αν έχει ενοικιαστεί.
- ♦ Έχει γίνει εσφαλμένη χρήση του προϊόντος ή έχει παραμεληθεί.
- ♦ Το προϊόν έχει υποστεί βλάβη από άλλα αντικείμενα, από ουσίες ή λόγω ατυχήματος.
- ♦ Έχει γίνει προσπάθεια επισκευής από μη εξουσιοδοτημένα κέντρα επισκευών ή από προσωπικό που δεν ανήκει στο προσωπικό της Black & Decker.

Για να ισχύσει η εγγύηση, πρέπει να υποβάλετε απόδειξη αγοράς στον πωλητή ή το εξουσιοδοτημένο κέντρο επισκευών. Ενημερωθείτε για το πλησιέστερο εξουσιοδοτημένο κέντρο επισκευών της περιοχής σας, επικοινωνώντας με τα γραφεία της Black & Decker στη διεύθυνση που αναγράφεται στο χειρίδιο. Επίσης, για να πληροφορηθείτε για τα εξουσιοδοτημένα κέντρα επισκευών της Black & Decker και τους αρμόδιους των υπηρεσιών που παρέχονται μετά την πώληση, μπορείτε να ανατρέξετε στο Διαδίκτυο, στη διεύθυνση: [www.2helpU.com](http://www.2helpU.com).

Παρακαλούμε επισκεφθείτε την ιστοσελίδα μας [www.blackanddecker.eu](http://www.blackanddecker.eu) για να καταχωρήσετε το νέο σας προϊόν Black & Decker και για να ενημερώνεστε για τα νέα προϊόντα και τις ειδικές προσφορές. Περισσότερες πληροφορίες σχετικά με τη μάρκα Black & Decker και τη σειρά των προϊόντων μας θα βρείτε στη διεύθυνση [www.blackanddecker.eu](http://www.blackanddecker.eu).





<b>België/Belgique</b>	Black & Decker (Belgium) N.V. Nieuwlandiaan 321 3200 Aarschot	Tel. Fax	016 68 91 00 016 68 91 11
<b>Danmark</b>	Black & Decker Sluseholmen 2-4, 2450 København SV Internet: <a href="http://www.blackanddecker.dk">www.blackanddecker.dk</a>	Tel. Fax	70 20 15 10 70 22 49 10
<b>Deutschland</b>	Black & Decker GmbH Black & Decker Str. 40, D - 65510 Idstein	Tel. Fax	06126/21 - 0 06126/21 29 80
<b>Ελλάδα</b>	Black & Decker (Ελλάς) A.E. Στράβωνος 7 & Λεωφ. Βουλιαγμένης 159 166 74 Γλυφάδα - Αθήνα	Τηλ. Φαξ www.blackanddecker.eu	210 8981616 210 8983285
<b>España</b>	Black & Decker Ibérica, S.C.A. Parc de Negocis "Mas Blau" Edificio Muntadas, c/Bergadá, 1, Of. A6 08820 El Prat de Llobregat (Barcelona)	Tel. Fax	934 797 400 934 797 419
<b>France</b>	Black & Decker (France) S.A.S. B.P. 21, 69571 Dardilly Cédex	Tel. Fax	04 72 20 39 20 04 72 20 39 00
<b>Helvetia</b>	ROFO AG Gewerbezone Seeblick 3213 Kleinbösingen	Tel. Fax	026-6749391 026-6749394
<b>Italia</b>	Black & Decker Italia SpA Viale Elvezia 2 20052 Monza (MI)	Tel. Fax Numero verde	039-23871 039-2387592/2387594 800-213935
<b>Nederland</b>	Black & Decker Benelux Joulehof 12, 4622 RG Bergen op Zoom	Tel. Fax	0164 - 283000 0164 - 283100
<b>Norge</b>	Black & Decker (Norge) A/S Postboks 4814, Nydalen, 0422 Oslo Internet: <a href="http://www.blackanddecker.no">www.blackanddecker.no</a>	Tlf. Fax	22 90 99 00 22 90 99 01
<b>Österreich</b>	Black & Decker Vertriebsges.m.b.H Oberlaaerstraße 246, A1100 Wien	Tel. Fax	01 66116-0 01 66116-14
<b>Portugal</b>	Black & Decker Rua Egas Moniz 173 S. João do Estoril 2766-651 Estoril	Tel. Fax	214667500 214667580
<b>Suomi</b>	Black & Decker Oy Keilasatama 3, 02150 Espoo Black & Decker Oy, Kägelhamnen 3, 02150 Esbo	Puh. Faksi Tel. Fax	010 400 430 (09) 2510 7100 010 400 430 (09) 2510 7100
<b>Sverige</b>	Black & Decker AB Fabriksg. 7, 412 50 Göteborg	Tel. Fax	031-68 60 60 031-68 60 80
<b>United Kingdom</b>	Black & Decker 210 Bath Road Slough, Berkshire SL1 3YD	Tel. Fax Helpline	01753 511234 01753 551155 01753 574277
<b>Middle East &amp; Africa</b>	Black & Decker (Overseas) A.G. PB 5420, Dubai, United Arab Emirates	Tel. Fax	+971 4 2826464 +971 4 2826466

ENGLISH

**Do not forget to register your product!**  
**[www.blackanddecker.co.uk/productregistration](http://www.blackanddecker.co.uk/productregistration)**

Register your product online at **[www.blackanddecker.co.uk/productregistration](http://www.blackanddecker.co.uk/productregistration)** or send your name, surname and product code to Black & Decker in your country.

DEUTSCH

**Vergessen Sie nicht, Ihr Produkt registrieren zu lassen!**  
**[www.blackanddecker.de/productregistration](http://www.blackanddecker.de/productregistration)**

Lassen Sie Ihr Produkt unter **[www.blackanddecker.de/productregistration](http://www.blackanddecker.de/productregistration)** online registrieren oder schicken Sie Ihren Nachnamen, Vornamen und den Produktcode an Black & Decker in Ihrem Land.

FRANÇAIS

**N'oubliez pas d'enregistrer votre produit !**  
**[www.blackanddecker.fr/productregistration](http://www.blackanddecker.fr/productregistration)**

Enregistrez votre produit en ligne sur **[www.blackanddecker.fr/productregistration](http://www.blackanddecker.fr/productregistration)** ou envoyez vos nom, prénom et code produit à Black & Decker dans votre pays.

ITALIANO

**Non dimenticate di registrare il prodotto!**  
**[www.blackanddecker.it/productregistration](http://www.blackanddecker.it/productregistration)**

Registrate il prodotto online su **[www.blackanddecker.it/productregistration](http://www.blackanddecker.it/productregistration)** o inviate nome, cognome e codice del prodotto al centro Black & Decker del vostro paese.

NEDERLANDS

**Vergeet niet uw product te registreren!**  
**[www.blackanddecker.nl/productregistration](http://www.blackanddecker.nl/productregistration)**

U kunt uw product online registreren op **[www.blackanddecker.nl/productregistration](http://www.blackanddecker.nl/productregistration)** of u kunt uw voornaam, achternaam en productcode opsturen naar Black & Decker in uw land.

ESPAÑOL

**¡No olvide registrar su producto!**  
**[www.blackanddecker.es/productregistration](http://www.blackanddecker.es/productregistration)**

Registre su producto on-line en **[www.blackanddecker.es/productregistration](http://www.blackanddecker.es/productregistration)** o envíe su nombre, apellidos y código de producto a Black & Decker en su país.

PORTUGUÊS

**Não se esqueça de registrar o seu produto!**  
**[www.blackanddecker.pt/productregistration](http://www.blackanddecker.pt/productregistration)**

Registe o seu produto online em [www.blackanddecker.pt/productregistration](http://www.blackanddecker.pt/productregistration) ou envie o seu nome, apelido e código do produto para a Black & Decker no seu país.

SVENSKA

**Glöm inte att registrera produkten!**  
**[www.blackanddecker.se/productregistration](http://www.blackanddecker.se/productregistration)**

Registrera produkten online på [www.blackanddecker.se/productregistration](http://www.blackanddecker.se/productregistration) eller skicka namn och produktkod till Black & Decker i landet du bor i.

NORSK

**Ikke glem å registrere produktet ditt!**  
**[www.blackanddecker.no/productregistration](http://www.blackanddecker.no/productregistration)**

Registrer produktet ditt online på [www.blackanddecker.no/productregistration](http://www.blackanddecker.no/productregistration), eller send ditt navn, etternavn og produktkode til Black & Decker i ditt eget land.

DANSK

**Glem ikke at registrere dit produkt!**  
**[www.blackanddecker.dk/productregistration](http://www.blackanddecker.dk/productregistration)**

Registrer dit produkt på internettet på: [www.blackanddecker.dk/productregistration](http://www.blackanddecker.dk/productregistration) eller send dit navn, efternavn og produktkode til Black & Decker i dit eget land.

SUOMI

**Muistathan rekisteröidä tuotteesi!**  
**[www.blackanddecker.fi/productregistration](http://www.blackanddecker.fi/productregistration)**

Rekisteröi tuotteesi verkossa osoitteessa [www.blackanddecker.fi/productregistration](http://www.blackanddecker.fi/productregistration) tai lähetä etunimesi, sukunimesi ja tuotekoodi oman maasi Black & Decker -edustajalle.

ΕΛΛΗΝΙΚΑ

**Μην ξεχάσετε να καταχωρίσετε το προϊόν σας!**  
**[www.blackanddecker.gr/productregistration](http://www.blackanddecker.gr/productregistration)**

Καταχωρίστε το προϊόν σας σε σύνδεση στη σελίδα [www.blackanddecker.gr/productregistration](http://www.blackanddecker.gr/productregistration) ή στείλτε το όνομα, επίθετο σας και τον κωδικό πριονωτός στη Black & Decker στη χώρα σας.