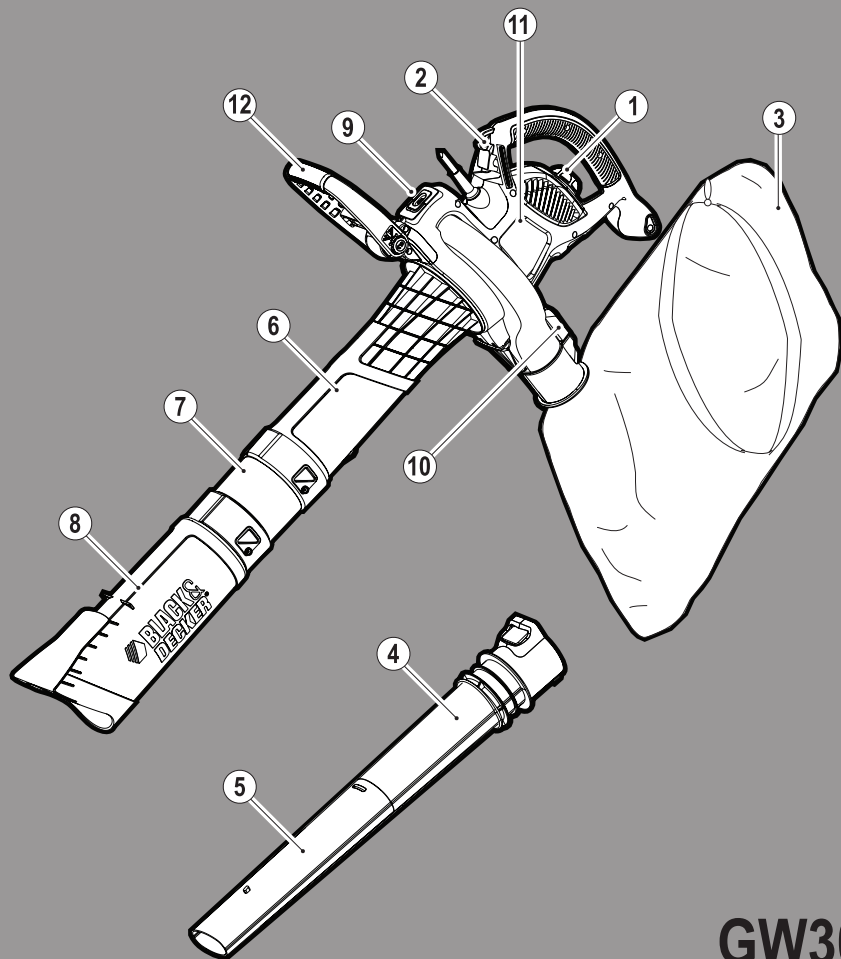


# BLACK & DECKER®



[www.blackanddecker.eu](http://www.blackanddecker.eu)

GW3050

GW3030

GW2810

GW2838

EN

DE

FR

IT

NL

ES

PT

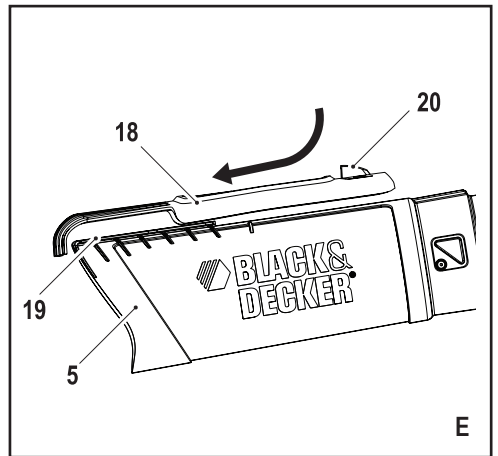
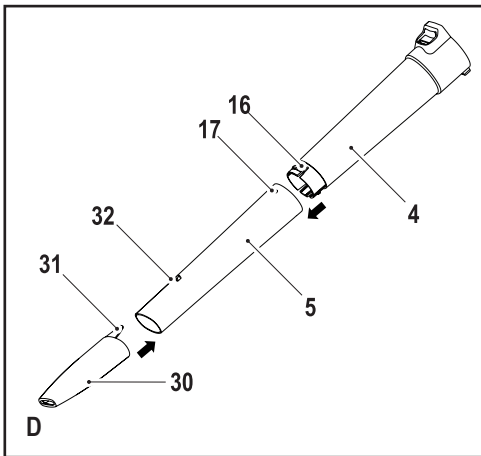
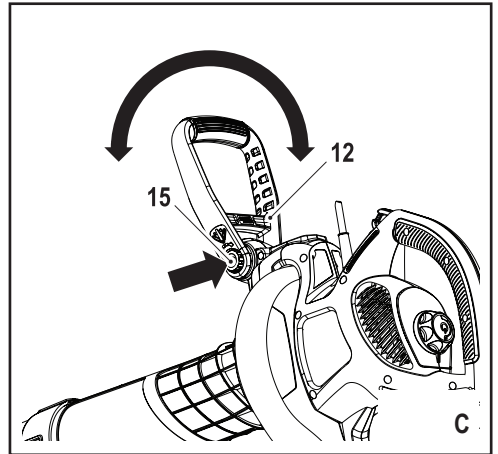
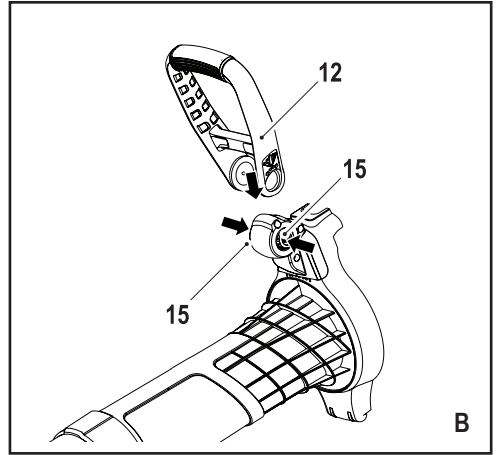
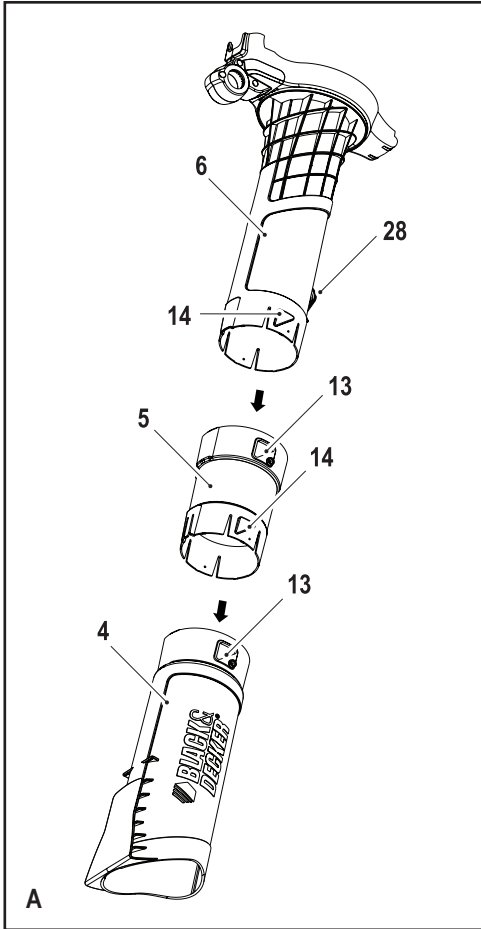
SV

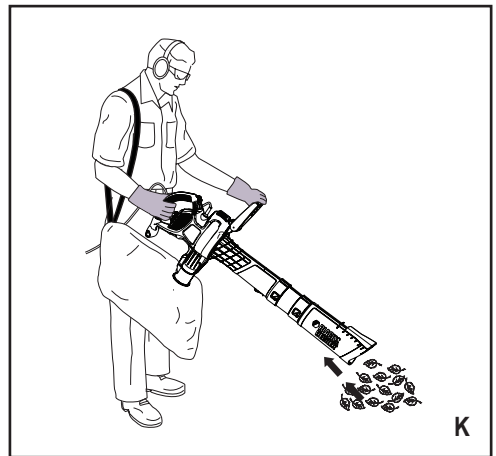
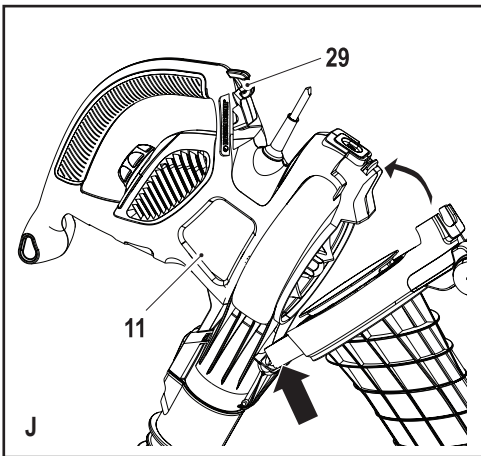
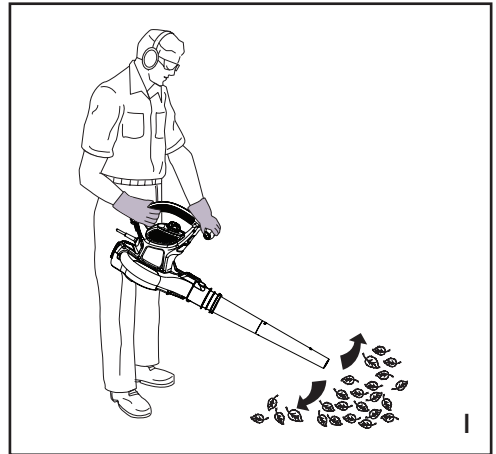
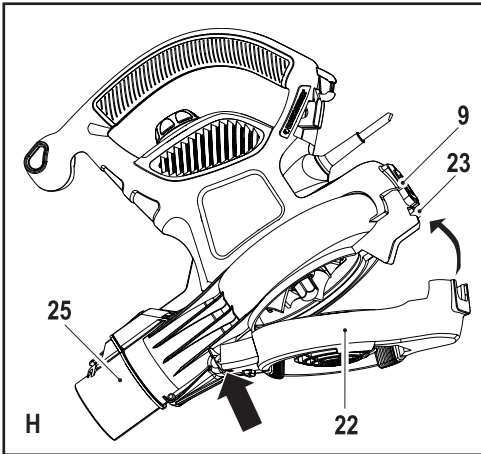
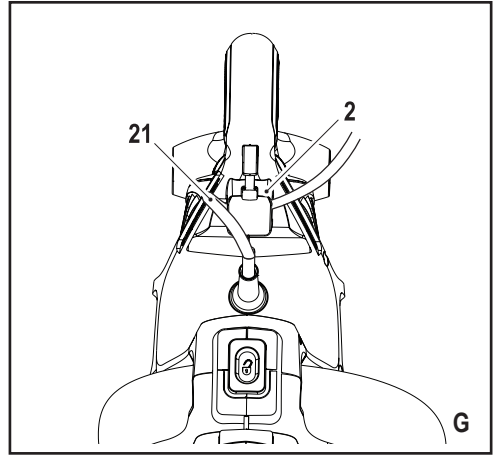
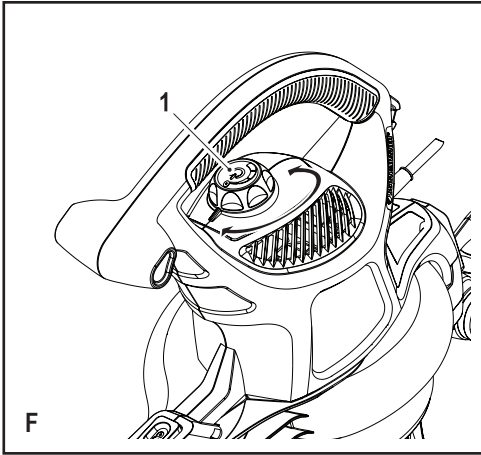
NO

DK

FI

EL





### Intended use

Your Black & Decker blower vac has been designed for leaf clearing. This appliance is intended for consumer and outdoor use only.

### General appliance safety warnings



**Warning!** When using mains-powered/cordless appliances, basic safety precautions, including the following, should always be followed to reduce the risk of fire, electric shock, personal injury and material damage.

- ◆ Read all of this manual carefully before using the appliance, be familiar with the controls and the proper use of the appliance.
- ◆ The intended use is described in this manual. The use of any accessory or attachment or the performance of any operation with this appliance other than those recommended in this instruction manual may present a risk of personal injury.

The term "appliance" in all of the warnings listed below refers to your mains operated (corded) appliance or battery operated (cordless) appliance.

**Save all warnings and instructions for future reference.**

### Using your appliance

- ◆ **Always take care when using the appliance.**
- ◆ Keep work area clean and well lit. Cluttered or dark areas invite accidents.

- ◆ Only use the appliance in daylight or good artificial light.
- ◆ Do not operate your appliance in explosive atmospheres, such as in the presence of flammable liquids, gases or dust.
- ◆ Never allow children or people unfamiliar with the instructions to use the appliance, local regulations may restrict the age of the operator.
- ◆ Do not allow children or animals to come near the work area or touch the appliance supply cord.
- ◆ Keep children, bystanders and animals away while operating an appliance. Distractions can cause you to lose control.
- ◆ The appliance is not to be used as a toy.
- ◆ Do not immerse the appliance in water.
- ◆ Do not open body casing. There are no userserviceable parts inside.

### Personal safety

- ◆ Stay alert, watch what you are doing and use common sense when operating an appliance. Do not use an appliance while you are tired or under the influence of drugs, alcohol or medication. A moment of inattention while operating an appliance may result in serious personal injury.

- ◆ Where required, use personal protective equipment. Protective equipment such as eye protection, dust mask, non-skid safety shoes, hard hat, or hearing protection used for appropriate conditions will reduce personal injuries.
- ◆ Prevent unintentional starting. Make sure that the switch is in the off-position before connecting to a power source and/or battery pack, picking up or carrying the appliance. Carrying appliances with your finger on the switch or energising appliances that have the switch on invites accidents.
- ◆ Do not overreach. Keep proper footing and balance at all times. This enables better control of the appliance in unexpected situations.
- ◆ Dress properly. Do not wear loose clothing or jewellery. Keep your hair, clothing and gloves away from moving parts. Loose clothes, jewellery or long hair can be caught in moving parts.
- ◆ Disconnect the plug from the power source and/or the battery pack from the appliance before making any adjustments, changing accessories, or storing appliances. Such preventive safety measures reduce the risk of starting the appliance accidentally.
- ◆ Where applicable, keep cutting tools sharp and clean. Properly maintained cutting tools with sharp cutting edges are less likely to bind and are easier to control.
- ◆ Do not use the appliance if any part is damaged or defective.
- ◆ Have any damaged or defective parts repaired or replaced by an authorised repair agent.
- ◆ Never attempt to remove or replace any parts other than those specified in this manual.

## Electrical safety

### Appliance use and care

- ◆ Before use, check the appliance for damaged or defective parts. Check for breakage of parts, damage to switches and any other conditions that may affect its operation.
- ◆ Do not use the appliance if the switch does not turn it on and off. Any appliance that cannot be controlled with the switch is dangerous and must be repaired.
- ◆ Appliance plugs must match the outlet. Never modify the plug in any way. Do not use any adapter plugs with earthed (grounded) appliance. Unmodified plugs and matching outlets will reduce risk of electric shock.
- ◆ Do not expose appliance to rain or wet conditions. Water entering a appliance will increase the risk of electric shock.
- ◆ Do not abuse the cord. Never use the cord for carrying, pulling or unplugging the appliance. Keep cord away from heat, oil, sharp edges or moving parts. Damaged or entangled cords increase the risk of electric shock.

- ◆ When operating an appliance outdoors, use an extension cord suitable for outdoor use. Use of a cord suitable for outdoor use reduces the risk of electric shock.
- ◆ If operating an appliance in a damp location is unavoidable, use a Residual Current Device (RCD) protected supply. Use of an RCD reduces the risk of electric shock.

### After Use

- ◆ When not in use, the appliance should be stored in a dry, well ventilated place out of the reach of children.
- ◆ Children should not have access to stored appliances.
- ◆ When the appliance is stored or transported in a vehicle it should be placed in the boot or restrained to prevent movement following sudden changes in speed or direction.

### Service

- ◆ Have your appliance serviced by a qualified repair person using only identical replacement parts. This will ensure that the safety of the appliance is maintained.

### Additional Safety instructions for blow vacs

The intended use is described in this manual. The use of any accessory or attachment or performance of any operation with this appliance other than those recommended in this instruction manual can present a risk of personal injury and/or damage to property.

- ◆ To protect your feet and legs while operating the appliance, always wear heavy duty footwear and long trousers.
- ◆ Do not use in vacuum mode without the vacuum tubes and collection bag in place.
- ◆ Always switch off your product, allow the fan to stop and remove the plug from the socket when:
  - ◆ Changing from blower to vacuum.
  - ◆ The supply cable has become damaged or entangled.
  - ◆ You leave your product unattended.
  - ◆ Clearing a blockage.
  - ◆ Checking, adjusting, cleaning or working on your product.
  - ◆ If the appliance starts to vibrate abnormally.
- ◆ Do not place the inlet or outlet of the vacuum near eyes or ears when operating. Never blow debris in the direction of bystanders.
- ◆ Do not use in the rain or leave outdoors while it is raining.
- ◆ Do not cross gravel paths or roads whilst your product is switched on during blow/vac mode. Walk, never run.
- ◆ Do not place your unit down on gravel while it is switched on.

- ◆ Always be sure of your footing, particularly on slopes. Do not overreach and keep your balance at all times.
- ◆ Do not pick up matter that may be contaminated with flammable or combustible liquids such as gasoline, or use in areas where they might be present.
- ◆ Do not place any objects into the openings. Never use if the openings are blocked - keep free of hair, lint, dust and anything that may reduce the airflow.

**Warning!** Always use your product in the manner outlined in this manual. Your product is designed to be used in an upright mode and if it is used in any other way it may result in injury. Never run your product whilst lying on it's side or upside down.

- ◆ The operator or user is responsible for accidents or hazards occurring to other people or their property.
- ◆ Do not carry the appliance by the cable.
- ◆ Always direct the cable to the rear away from the appliance.

**Warning!** If a cord becomes damaged during use, disconnect the supply cord from the mains supply immediately. Do not touch the supply cord before disconnecting the supply.

- ◆ Do not use solvents or cleaning fluids to clean your product. Use a blunt scraper to remove grass and dirt.
- ◆ Check the collection bag frequently for wear or deterioration.

- ◆ Replacement fans are available from a Black & Decker service agent. Use on Black & Decker recommended spare parts and accessories.
- ◆ Keep all nuts bolts and screws tight to make sure that the appliance is in a safe working condition.

## Safety of others

- ◆ This appliance can be used by children aged from 8 years and above and persons with reduced physical, sensory or mental capabilities or lack of experience and knowledge if they have been given supervision or instruction concerning use of the appliance in a safe way and understand the hazards involved. Children shall not play with the appliance. Cleaning and user maintenance shall not be made by children without supervision.
- ◆ Children should be supervised to ensure that they do not play with the appliance.

## Electrical safety



This appliance is double insulated; therefore no earth wire is required. Always check that the power supply corresponds to the voltage on the rating plate.

- ◆ If the supply cord is damaged, it must be replaced by the manufacturer or an authorised Black & Decker Service Centre in order to avoid a hazard.

- ♦ Electric safety can be further improved by using a high sensitivity 30 mA Residual Current Device (RCD).

## Using an extension cable

Always use an approved extension cable suitable for the power input of this tool (see technical data). The extension cable must be suitable for outdoor use and marked accordingly. Up to 30 m of 1.5 mm<sup>2</sup> HO5V V-F extension cable can be used without loss of product performance. Before use, inspect the extension cable for signs of damage, wear and ageing. Replace the extension cable if damaged or defective. When using a cable reel, always unwind the cable completely.

## Residual risks.

Additional residual risks may arise when using the tool which may not be included in the enclosed safety warnings. These risks can arise from misuse, prolonged use etc. Even with the application of the relevant safety regulations and the implementation of safety devices, certain residual risks can not be avoided. These include:

- ♦ Injuries caused by touching any rotating/moving parts.
- ♦ Injuries caused when changing any parts, blades or accessories.
- ♦ Injuries caused by prolonged use of a tool. When using any tool for prolonged periods ensure you take regular breaks.

- ♦ Impairment of hearing.
- ♦ Health hazards caused by breathing dust developed when using your tool (example:- working with wood, especially oak, beech and MDF.)

## Labels on Appliance

The following pictograms are shown on the tool:



**Warning!** Read the manual prior to operation.



Wear safety glasses or goggles when operating this appliance.



Wear suitable ear protection when operating this appliance.



Do not expose the tool to rain or high humidity or leave outdoors while it is raining.



Switch off: remove plug from mains before cleaning or maintenance.



Beware of flying objects.



Keep bystanders away.



Directive 2000/14/EC guaranteed sound power.



## Features

1. Variable speed control
2. Cable restraint
3. Collection bag
4. Upper blow tube
5. Lower blow tube
6. Upper vacuum tube
7. Middle vacuum tube
8. Lower vacuum tube
9. Vac release button
10. Bag release button
11. Powerhead
12. Second handle

## Assembly



**Warning!** Before assembly, make sure that the appliance is switched off and unplugged.



**Warning!** Always wear protective gloves when working with your blow vac.

### Vacuum tube assembly (fig. A)

The vacuum tubes must be assembled together before use.

**Warning!** Do not operate the appliance with the vacuum tubes separated.

- ◆ To ease assembly, apply a soapy water solution to the joint area.
- ◆ Align the notches (13) and the triangles (14) on the upper (6) and middle (7) vacuum tubes.
- ◆ Push the upper vacuum tube (6) firmly onto the middle vacuum tube (7) until the triangles click into place.
- ◆ Align the notches (13) and the triangles (14) on the middle (7) and lower (8) vacuum tubes.
- ◆ Push the middle vacuum tube (7) firmly onto the lower vacuum tube (8) until the triangles click into place.

**Warning!** Do not separate the tubes once assembled.

### Attaching the second handle (fig. B) (GW3050 Only)

- ◆ Press in and hold both of the buttons (15) on the side of the handle mount.
- ◆ Slide the second handle (12) in place over the buttons (15).

**Note:** Ensure that the orange button is on the same side as the large hole in the handle.

**Warning!** Ensure that the teeth on the button are correctly aligned in slots in the handle and that the handle is secure.

### Adjusting the position of the second handle (fig. C) (GW3050 Only)

The second handle (12) can be adjusted to provide optimum balance and comfort.

- ◆ Press in the button (15) on the left side of the handle.
- ◆ Rotate the second handle (12) into the required position.
- ◆ Release the button (15).

**Warning!** Ensure that the teeth on the button are correctly aligned in slots in the handle and that the handle is secure.

### Blow tube assembly (fig. D)

- ◆ Align the 2 markers (16) on bottom of the upper blow tube (4) and the 2 markers (17) on the bottom of the lower blow tube (5).
- ◆ Push the upper blow tube (4) firmly into the lower blow tube (5) until they click into place.

**Warning!** Do not separate the tubes once assembled.

### Fitting and removing the concentrator (fig. D)

- ◆ Slide the concentrator (30) firmly onto the bottom end of the lower blow tube (5). Secure the concentrator by clipping the tab (31) onto the clip (32)
- ◆ To remove, lift the clip (32) and slide the concentrator (8) off the bottom of the lower blow tube(5).

### Fitting and removing the rake (fig. E) (GW3050 & GW2838 Only)

- ◆ Position the rake (18) above the mount (19) on the bottom of the lower blow tube (5).
- ◆ Push down and slide the rake (18) firmly onto the mount (19) until it clicks into place.
- ◆ To remove, lift the rake release (20) and slide the rake (18) off the mount (19).

## Use

### Switching on and off (fig. F)

**Warning!** Grip the product firmly when switching on.

- ◆ To switch the appliance on, turn the variable speed control (1) clockwise to the required setting.
- ◆ To switch the appliance off, turn the variable speed control (1) anti-clockwise to the off position.

### Cable restraint (fig. G)

A cable restraint (2) is incorporated into the rear of the powerhead.

- ◆ Loop the cable (21) through the cable restraint (2).

### Using your product

**Warning!** When using as a blower or vacuum, always wear safety glasses. If using in dusty conditions, wear a filter mask as well.

**Warning!** Switch off your product, allow the fan to stop and remove the plug from the socket before carrying out any adjustment, servicing or maintenance.

### Blow mode (fig. H and I)

- ◆ Attach the fan cover (22) to the powerhead (11) by locating the assembly as indicated by the arrow, then pivot about this point and press the vac release button (9) until the catch (23) is fully engaged. (fig. H)
- ◆ Align the assembled blow tube with the power head (11).
- ◆ Push the assembled blow tube onto the vacuum outlet (25) until the lock engages tightly with the blow tube.

**Warning!** Never operate in Blow mode without the blow tube and fan cover firmly in place.

- ◆ Hold the blow tube approximately 180 mm above the ground, switch on the appliance and using a sweeping motion from side to side, advance slowly keeping the accumulated debris/leaves in front of you (fig. I).
- ◆ Once you have blown the debris/leaves into a pile, you can convert to vacuum mode to collect the debris.

### Removing the blow tube and fan cover

- ◆ To disconnect the blow tube press the bag release button (10) and pull the tube off, making sure that the tube does not fall to the ground.
- ◆ To disconnect the fan cover (22) press the vac release button (9) and pull the fan cover (22) off, making sure that the fan cover does not fall to the ground.

### Vacuum mode (fig. H, J & K)

**Note:** For vacuuming/shredding, the collection bag (3) must be fitted.

- ◆ Remove the fan cover (22) by pressing the vac release button (9) and pulling the fan cover (22) off, making sure that the fan cover does not fall to the ground.
- ◆ Attach the collection bag (3) to the vacuum outlet (25) by pressing it firmly on till it clicks into place.
- ◆ Attach the assembled vacuum tube to the powerhead (11) by locating the assembly as indicated by the arrow, then pivot about this point and press the vac release button (9) until the catch is fully engaged.
- ◆ Place the strap from the collection bag over your shoulder (fig. K) this will support the additional weight as the collection bag fills. Alternatively the collection bag can be clipped to the support bracket (28 - fig. A) on the upper vacuum tube (4) and the strap can be fitted to the powerhead (11) on the hook (29).
- ◆ Position the vacuum tube slightly above the debris/leaves. Switch on the appliance and use a sweeping motion; the debris/leaves will be sucked up the tube, shredded and thrown into the collection bag (fig. K).

- ◆ As the bag fills, the power of the suction will decrease, switch off the appliance and unplug from the mains power supply.
- ◆ Unzip the bag to empty the contents before continuing to operate.

**Warning!** Never remove the collection bag without first turning off and unplugging the appliance.

**Note:** If the suction decreases and the bag is not full, the vacuum tube is probably clogged with debris. Turn off and unplug the vacuum and clear the tube before continuing.

### Troubleshooting

Problem	Possible solution
Failure to operate	Check the connection to the power supply.
	Check the fuse in the plug, if blown, replace (UK only).
	Check that the blow/vacuum tube assembly is correctly fitted to the powerhead
	If the fuse continues to blow - immediately disconnect from the mains power supply and consult your local Black & Decker authorised repair agent.
Poor vacuum/high pitched whine	Switch off - disconnect from the mains power supply, debris should fall clear of the tube.
	Remove and empty the collection bag.
	Check that both the inlet and exit ports on the vacuum tube are clear.
	Remove any debris from the fan area.
	If poor vacuuming continues - immediately disconnect from the mains power supply and consult your local Black & Decker authorised repair agent.
Poor shredding	Switch off - disconnect from the mains power supply and remove the collection bag.
	Remove the vacuum tube and inspect the fan.
	Clean any debris from the fan blades.
	If the fan is cracked or damaged, do not use - consult your local Black & Decker authorised repair agent.

## Maintenance

Your Black & Decker appliance has been designed to operate over a long period of time with a minimum of maintenance. Continuous satisfactory operation depends upon proper appliance care and regular cleaning.

- ◆ Keep the appliance clean and dry.
- ◆ Remove any leaves stuck to the inside of the vacuum tube.
- ◆ Regularly clean the ventilation slots with a clean, dry paint brush.
- ◆ Regularly clean the collection bag and ensure that it is clean and empty after each use.
- ◆ To clean the appliance, use only mild soap and a damp cloth. Never let any liquid get inside the tool and never immerse any part of the tool into liquid. Do not use any abrasive or solvent-based cleaner.
- ◆ Self lubricating bearings are used in your product, therefore lubrication is not required.

## Mains plug replacement (U.K. & Ireland only)

If a new mains plug needs to be fitted:

- ◆ Safely dispose of the old plug.
- ◆ Connect the brown lead to the live terminal in the new plug.
- ◆ Connect the blue lead to the neutral terminal.

**Warning!** No connection is to be made to the earth terminal. Follow the fitting instructions supplied with good quality plugs. Recommended fuse: 13 A.

## Protecting the environment



Separate collection. This product must not be disposed of with normal household waste.

Should you find one day that your Black & Decker product needs replacement, or if it is of no further use to you, do not dispose of it with household waste. Make this product available for separate collection.



Separate collection of used products and packaging allows materials to be recycled and used again. Re-use of recycled materials helps prevent environmental pollution and reduces the demand for raw materials.

Local regulations may provide for separate collection of electrical products from the household, at municipal waste sites or by the retailer when you purchase a new product.

Black & Decker provides a facility for the collection and recycling of Black & Decker products once they have reached the end of their working life. To take advantage of this service please return your product to any authorised repair agent who will collect them on our behalf.

You can check the location of your nearest authorised repair agent by contacting your local Black & Decker office at the address indicated in this manual. Alternatively, a list of authorised Black & Decker repair agents and full details of our after-sales service and contacts are available on the Internet at: [www.2helpU.com](http://www.2helpU.com)

## Technical data

		GW2810 GW2838 (Type 1)	GW3030 (Type 1)	GW3050 (Type 1)
Input voltage	$V_{AC}$	230	230	230
Power input	W	2800	3000	3000
Capacity	l	50	50	50
Weight (blower)	mm	3.45	3.7	3.7
Weight (vacuum)	mm	4.85	4.85	4.85

Vibration total values (triax vector sum) according to EN 60745:

Vibration ( $a_{ij}$ ) 9.8  $m/s^2$ , uncertainty (K) 1.5  $m/s^2$

**EC declaration of conformity**

MACHINERY DIRECTIVE  
OUTDOOR NOISE DIRECTIVE



GW2810 GW2838, GW3030, GW3050

Black & Decker declares that these products described under "technical data" are in compliance with:

2006/42/EC, EN 60335

2000/14/EC, Blow Vac, Annex V  
KEMA Quality B.V., Utrechtseweg 310, 6802 ED Arnhem,  
The Netherlands  
Notified Body ID No.: 0344

Level of acoustic power according to 2000/14/EC  
(Article 13, Annex III):

$L_{WA}$  (measured sound power) 104 dB(A)

Uncertainty = 3 dB(A)

$L_{WA}$  (guaranteed sound power) 107 dB(A)

Uncertainty = 3 dB(A)

These products also comply with Directive  
2004/108/EC and 2011/65/EU.

For more information, please contact Black & Decker at the following address or refer to the back of the manual.

The undersigned is responsible for compilation of the technical file and makes this declaration on behalf of Black & Decker.

Kevin Hewitt  
Vice-President Global Engineering  
Black & Decker Europe, 210 Bath Road, Slough,  
Berkshire, SL1 3YD  
United Kingdom  
01/11/2013

**Guarantee**

Black & Decker is confident of the quality of its products and offers an outstanding guarantee. This guarantee statement is in addition to and in no way prejudices your statutory rights. The guarantee is valid within the territories of the Member States of the European Union and the European Free Trade Area.

If a Black & Decker product becomes defective due to faulty materials, workmanship or lack of conformity, within 24 months from the date of purchase, Black & Decker guarantees to replace defective parts, repair products subjected to fair wear and tear or replace such products to ensure minimum inconvenience to the customer unless:

- ◆ The product has been used for trade, professional or hire purposes;
- ◆ The product has been subjected to misuse or neglect;
- ◆ The product has sustained damage through foreign objects, substances or accidents;
- ◆ Repairs have been attempted by persons other than authorised repair agents or Black & Decker service staff.

To claim on the guarantee, you will need to submit proof of purchase to the seller or an authorised repair agent. You can check the location of your nearest authorised repair agent by contacting your local Black & Decker office at the address indicated in this manual. Alternatively, a list of authorised Black & Decker repair agents and full details of our after-sales service and contacts are available on the Internet at: [www.2helpU.com](http://www.2helpU.com)

Please visit our website [www.blackanddecker.co.uk](http://www.blackanddecker.co.uk) to register your new Black & Decker product and to be kept up to date on new products and special offers. Further information on the Black & Decker brand and our range of products is available at [www.blackanddecker.co.uk](http://www.blackanddecker.co.uk)

## Bestimmungsgemäße Verwendung

Ihr Black & Decker Laubbläser/-sauger wurde zur Beseitigung von Laub entwickelt. Dieses Gerät ist nicht für den gewerblichen Einsatz vorgesehen und darf nur im Freien verwendet werden.

## Allgemeine Sicherheitswarnungen für das Gerät



**Achtung!** Beachten Sie beim Umgang mit netzstrombetriebenen/kabellosen Geräten stets die grundlegenden Sicherheitshinweise, die im Folgenden beschrieben werden. Dadurch verhindern Sie Brände, Stromschläge sowie Sach- und Personenschäden.

- ◆ Lesen Sie diese Bedienungsanleitung vor der Verwendung des Geräts aufmerksam durch, und machen Sie sich mit den Bedienelementen sowie der ordnungsgemäßen Verwendung des Geräts vertraut.
- ◆ Der vorgesehene Verwendungszweck ist in dieser Anleitung beschrieben. Bei Verwendung von Zubehör oder Anbauteilen, die nicht in dieser Anleitung empfohlen werden, sowie bei der Verwendung des Geräts in Abweichung von den in dieser Anleitung beschriebenen Verfahren besteht Verletzungsgefahr.

Der in den folgenden Warnungen verwendete Begriff "Gerät" bezieht sich auf netzbetriebene Geräte (mit Netzkabel) und auf akkubetriebene Geräte (ohne Netzkabel).

## Bewahren Sie alle Sicherheitswarnungen und Anweisungen gut auf.

## Verwendung des Geräts

- ◆ **Verwenden Sie das Gerät stets mit Umsicht.**
- ◆ Sorgen Sie für einen sauberen und gut ausgeleuchteten Arbeitsbereich. Unordnung oder dunkle Arbeitsbereiche können zu Unfällen führen.
- ◆ Betreiben Sie das Gerät nur bei Tageslicht oder bei ausreichender Beleuchtung.
- ◆ Betreiben Sie das Gerät nicht in explosionsgefährdeter Umgebung, in der sich brennbare Flüssigkeiten, Gase oder Stäube befinden.
- ◆ Kinder oder Personen, die mit diesen Anweisungen nicht vertraut sind, dürfen das Gerät nicht verwenden. Möglicherweise wird das Mindestalter des Bedieners durch regionale Richtlinien festgelegt.
- ◆ Achten Sie darauf, dass sich im Arbeitsbereich keine Kinder oder Tiere aufhalten. Verhindern Sie, dass Kinder das Gerät oder das Netzkabel berühren.
- ◆ Halten Sie Kinder, Zuschauer und Tiere während der Benutzung von Geräten fern. Bei Ablenkung können Sie die Kontrolle verlieren.
- ◆ Das Gerät ist kein Spielzeug.
- ◆ Tauchen Sie das Gerät nicht in Wasser.
- ◆ Versuchen Sie nicht, das Gehäuse zu öffnen. Im Inneren befinden sich keine zu wartenden Teile.

## Sicherheit von Personen

- ◆ Seien Sie aufmerksam, achten Sie darauf, was Sie tun, und gehen Sie sachgerecht mit dem Gerät um. Benutzen Sie das Gerät nicht, wenn Sie müde sind oder unter dem Einfluss von Drogen, Alkohol oder Medikamenten stehen. Ein Moment der Unachtsamkeit beim Gebrauch von Geräten kann zu ernsthaften Verletzungen führen.
- ◆ Verwenden Sie ggf. eine geeignete Schutzausrüstung. Schutzausrüstung wie Augenschutz, rutschfeste Sicherheitsschuhe, Schutzhelm oder Gehörschutz, je nach Art und Einsatz des Geräts, verringert das Risiko von Verletzungen.
- ◆ Vermeiden Sie eine unbeabsichtigte Inbetriebnahme. Vergewissern Sie sich, dass das Gerät ausgeschaltet ist, bevor Sie es an eine Steckdose oder einen Akku anschließen, es hochheben oder tragen. Durch das Tragen des Geräts mit dem Finger am Schalter oder durch das Anschließen eingeschalteter Geräte werden Unfälle provoziert.
- ◆ Beugen Sie sich nicht zu weit nach vorne über. Achten Sie auf einen sicheren Stand, um in jeder Arbeitsposition das Gleichgewicht zu halten. Dadurch können Sie das Gerät in unerwarteten Situationen besser unter Kontrolle halten.

- ◆ Tragen Sie geeignete Kleidung. Tragen Sie keine weite Kleidung oder Schmuck. Halten Sie Haare, Kleidung und Handschuhe fern von sich bewegenden Teilen. Weite Kleidung, Schmuck oder lange Haare können von sich bewegenden Teilen erfasst werden.

## Gebrauch und Pflege von Geräten

- ◆ Prüfen Sie das Gerät vor der Verwendung auf beschädigte oder defekte Teile. Prüfen Sie, ob Teile gebrochen sind, Schalter beschädigt sind oder andere Bedingungen vorliegen, die die Funktion beeinträchtigen könnten.
- ◆ Betreiben Sie das Gerät nicht, wenn der Schalter zum Ein- und Ausschalten nicht funktioniert. Ein Gerät, das sich nicht mehr ein- oder ausschalten lässt, ist gefährlich und muss repariert werden.
- ◆ Ziehen Sie den Stecker aus der Steckdose, und/oder trennen Sie das Gerät vom Akku, bevor Sie Einstellungen vornehmen, Zubehörteile wechseln oder das Gerät lagern. Diese Vorsichtsmaßnahmen verhindern den unbeabsichtigten Start des Geräts.
- ◆ Halten Sie ggf. die Schneidwerkzeuge scharf und sauber. Sorgfältig gepflegte Schneidwerkzeuge mit scharfen Schneidkanten verklemmen sich seltener und sind leichter zu führen.
- ◆ Betreiben Sie das Gerät nicht, wenn ein Teil beschädigt oder defekt ist.

- Lassen Sie beschädigte oder defekte Teile in einer Vertragswerkstatt reparieren oder austauschen.
- Ersetzen oder entfernen Sie keine Teile, für die in dieser Anleitung keine entsprechende Beschreibung enthalten ist.

## Elektrische Sicherheit

- Der Netzstecker des Geräts muss in die Steckdose passen. Der Stecker darf in keiner Weise verändert werden. Verwenden Sie für Schutzgeerdete Geräte keine Adapterstecker. Unveränderte Stecker und passende Steckdosen verringern das Risiko eines elektrischen Schlags.
- Schützen Sie das Gerät vor Regen und Feuchtigkeit. Das Eindringen von Wasser in das Gerät erhöht das Risiko eines elektrischen Schlags.
- Verwenden Sie das Kabel ordnungsgemäß. Verwenden Sie das Kabel niemals zum Tragen. Trennen Sie das Gerät nicht durch Ziehen am Kabel vom Netz. Halten Sie das Kabel fern von Hitze, Öl, scharfen Kanten oder sich bewegenden Teilen. Beschädigte oder verwickelte Kabel erhöhen das Risiko eines elektrischen Schlags.
- ggf. nur für den Außenbereich zugelassene Verlängerungskabel, wenn Sie mit dem Gerät im Freien arbeiten. Die Verwendung eines für den Außenbereich geeigneten Verlängerungskabels verringert das Risiko eines elektrischen Schlags.

- Wenn ein Gerät in einer feuchten Umgebung verwendet werden muss, schließen Sie es unbedingt an eine Steckdose mit Fehlerstromschutzschalter (FI-Schalter) an. Die Verwendung eines Fehlerstromschutzschalters verringert das Risiko eines elektrischen Schlages.

## Nach dem Gebrauch

- Bewahren Sie das Gerät bei Nichtgebrauch an einem trockenen, gut belüfteten Ort außerhalb der Reichweite von Kindern auf.
- Kinder sollten keinen Zugang zu aufbewahrten Geräten haben.
- Wenn das Gerät in einem Fahrzeug transportiert oder gelagert wird, bewahren Sie es im Kofferraum oder einer geeigneten Ablage auf, damit es bei plötzlichen Geschwindigkeits- oder Richtungsänderungen nicht in Bewegung geraten kann.

## Service

- Lassen Sie das Gerät nur von qualifiziertem Fachpersonal und nur mit Originalersatzteilen reparieren. So wird gewährleistet, dass die Sicherheit des Geräts erhalten bleibt.

## Zusätzliche Sicherheitshinweise für Laubbläser/-sauger

Der vorgesehene Verwendungszweck ist in dieser Anleitung beschrieben. Die Verwendung von Zubehör oder Anbauteilen, die nicht in dieser Anleitung empfohlen werden, sowie die Bedienung des Geräts in Abweichung von den in dieser Anleitung beschriebenen Verfahren kann zu Verletzungen und/oder Sachschäden führen.

- ◆ Tragen Sie zum Schutz Ihrer Füße und Beine stets feste Schuhe und eine lange Hose, wenn Sie mit dem Gerät arbeiten.
- ◆ Verwenden Sie den Saugmodus nur, wenn die Saugrohre und der Auffangbeutel angebracht sind.
- ◆ Schalten Sie in folgenden Fällen das Gerät stets aus, warten Sie, bis das Gebläse zum Stillstand gekommen ist, und ziehen Sie den Netzstecker:
  - ◆ Wenn Sie von Blas- auf Saugbetrieb wechseln.
  - ◆ Wenn das Netzkabel verheddert oder beschädigt ist.
  - ◆ Wenn Sie das Gerät unbeaufsichtigt lassen.
  - ◆ Wenn eine Verstopfung entfernt werden muss.
  - ◆ Wenn das Gerät überprüft, eingestellt oder gereinigt wird.
  - ◆ Wenn das Gerät ungewöhnlich stark zu vibrieren beginnt.

- ◆ Halten Sie während des Betriebs Ihre Augen und Ohren von der Saug- und der Auswurföffnung fern. Richten Sie das Gebläse nicht in Richtung von Personen in Ihrer Nähe.
- ◆ Verwenden Sie das Gerät nicht bei Regen, und lassen Sie es nicht im Regen liegen.
- ◆ Schalten Sie das Gerät vor dem Überqueren von Kieswegen aus. Betreiben Sie das Gerät nur im Gehen, nie im Rennen.
- ◆ Legen Sie das eingeschaltete Gerät nicht auf Kies ab.
- ◆ Achten Sie stets auf Trittsicherheit, insbesondere bei Arbeiten an Hängen. Achten Sie jederzeit auf einen sicheren Stand und eine sichere Balance.
- ◆ Saugen Sie keine Materialien auf, die mit entzündlichen Flüssigkeiten wie Benzin getränkt sein könnten. Verwenden Sie das Gerät nicht in der Nähe solcher Materialien.
- ◆ Stecken Sie keine Gegenstände in die Öffnungen des Geräts. Verwenden Sie das Gerät nicht, wenn die Öffnungen verstopft sind. Halten Sie die Öffnungen frei von Haaren, Flusen, Staub usw., damit der Luftstrom nicht beeinträchtigt wird.

**Achtung!** Befolgen Sie beim Gebrauch stets die Anweisungen in dieser Anleitung. Verwenden Sie das Gerät nur in aufrechter Position, um Verletzungen zu vermeiden. Betreiben Sie das Gerät nicht mit der Saugöffnung nach oben oder wenn es auf der Seite liegt.



- Der Bediener bzw. Benutzer ist für eventuelle Personen- oder Sachschäden verantwortlich.
- Tragen Sie das Gerät nicht am Kabel.
- Das Kabel sollte stets hinter dem Gerät geführt werden.

**Achtung!** Trennen Sie das Gerät sofort vom Stromnetz, wenn das Netzkabel während des Betriebs beschädigt wird. Berühren Sie das Kabel nicht, solange der Stecker noch in der Netzsteckdose steckt.

- Reinigen Sie das Gerät keinesfalls mit Lösungs- oder Reinigungsmitteln. Verwenden Sie einen stumpfen Schaber, um Gras und Verschmutzungen zu entfernen.
- Überprüfen Sie den Auffangbehälter regelmäßig auf Abnutzungen und Beschädigungen.
- Ersatzgebläse sind in Black & Decker Vertragswerkstätten erhältlich. Verwenden Sie nur von Black & Decker empfohlene Ersatz- und Zubehörteile.
- Ziehen Sie alle Muttern, Bolzen und Schrauben am Gerät fest, um einen sicheren Gerätebetrieb zu gewährleisten.

## Sicherheit anderer Personen

- Dieses Gerät darf von Kindern ab 8 Jahren und Personen mit eingeschränkten körperlichen, sensorischen oder geistigen Fähigkeiten sowie mangelnder Erfahrung und Wissen in Bezug auf dessen Gebrauch bedient werden, wenn sie bei der Verwendung des Geräts beaufsichtigt oder angeleitet werden und die möglichen Gefahren verstehen. Kinder dürfen nicht mit dem Gerät spielen. Reinigung und Wartungsarbeiten dürfen von Kindern nur unter Aufsicht durchgeführt werden.
- Kinder müssen beaufsichtigt werden, um sicherzustellen, dass sie nicht mit dem Gerät spielen.

## Elektrische Sicherheit



Dieses Gerät ist schutzisoliert, daher ist keine Masseleitung erforderlich. Überprüfen Sie stets, ob die Netzspannung der auf dem Typenschild des Geräts angegebenen Spannung entspricht.

- Ist das Netzkabel beschädigt, muss es durch den Hersteller oder eine Black & Decker Vertragswerkstatt ausgetauscht werden, um eine mögliche Gefährdung zu vermeiden.
- Die Verwendung eines Fehlerstromschutzschalters (30 mA) erhöht die elektrische Sicherheit.

## Verwenden eines Verlängerungskabels

Verwenden Sie ausschließlich geprüfte Verlängerungskabel, die für die Leistungsaufnahme dieses Geräts ausgelegt sind (siehe „Technische Daten“). Das Verlängerungskabel muss für die Verwendung im Außenbereich geeignet und entsprechend markiert sein. Es kann ein 1,5 mm<sup>2</sup>-HO5V V-F-Verlängerungskabel von einer Länge von bis zu 30 m verwendet werden, ohne dass die Leistung des Geräts beeinträchtigt wird. Prüfen Sie vor der Inbetriebnahme das Netzkabel auf Verschleiß und Beschädigungen. Wechseln Sie beschädigte oder fehlerhafte Verlängerungskabel aus. Beim Verwenden einer Kabeltrommel muss das Kabel stets vollständig abgewickelt sein.

## Restrisiken.

Für den Gebrauch dieses Geräts verbleiben zusätzliche Restrisiken, die möglicherweise nicht in den Sicherheitswarnungen genannt werden. Diese Risiken bestehen beispielsweise bei Missbrauch oder längerem Gebrauch.

Auch bei der Einhaltung der entsprechenden Sicherheitsvorschriften und der Verwendung aller Sicherheitsgeräte bestehen weiterhin bestimmte Restrisiken. Diese werden im Folgenden aufgeführt:

- Verletzungen, die durch das Berühren von sich drehenden/bewegenden Teilen verursacht werden.

- Verletzungen, die durch das Austauschen von Teilen, Messern oder Zubehör verursacht werden.
- Verletzungen, die durch längeren Gebrauch eines Geräts verursacht werden. Legen Sie bei längerem Gebrauch regelmäßige Pausen ein.
- Beeinträchtigung des Gehörs.
- Gesundheitsrisiken durch das Einatmen von Staub beim Gebrauch des Geräts (Beispielsweise bei Holzarbeiten, insbesondere Eiche, Buche und Pressspan).

## Warnsymbole am Gerät

Am Gerät sind folgende Warnsymbole angebracht:



**Achtung!** Lesen Sie die Bedienungsanleitung vor Inbetriebnahme.



Tragen Sie eine Schutzbrille, wenn Sie mit dem Gerät arbeiten.



Tragen Sie einen geeigneten Gehörschutz, wenn Sie mit dem Gerät arbeiten.



Setzen Sie das Gerät weder Regen noch starker Feuchtigkeit aus.



Ausschalten: Vor der Reinigung bzw. Wartung Netzstecker ziehen.



Achten Sie auf Gegenstände, die eventuell umhergeschleudert werden.



Halten Sie Zuschauer aus dem Gefahrenbereich fern.



Garantierter Schalldruckpegel, gemessen nach Richtlinie 2000/14/EG.

- ◆ Richten Sie die Kerben (13) und die Dreiecke (14) am mittleren (7) und unteren (8) Saugrohr aus.
- ◆ Drücken Sie das mittlere Saugrohr (7) kräftig auf das untere Saugrohr (8), bis die Dreiecke einrasten.

**Achtung!** Versuchen Sie nicht, das Rohr nach der Montage wieder zu zerlegen.

### Anbringen des Zusatzgriffs (Abb. B) (nur GW3050)

- ◆ Drücken und halten Sie die beiden Tasten (15) an der Seite des Griffs.
- ◆ Schieben Sie den Zusatzgriff (12) über die Tasten in Position (15).

**Hinweis:** Stellen Sie sicher, dass sich der orangefarbene Knopf auf derselben Seite befindet wie die große Aussparung des Griffs.

**Achtung!** Achten Sie darauf, dass die Zähne an der Taste entsprechend den Schlitzen am Griff ausgerichtet sind und dass der Griff sicher angebracht ist.

### Einstellen der Position des Zusatzgriffs (Abb. C) (nur GW3050)

Der Zusatzgriff (12) lässt sich einstellen, um eine optimale Balance und ein Höchstmaß an Arbeitskomfort zu erzielen.

- ◆ Drücken Sie die Taste (15) an der linken Seite des Griffs.
- ◆ Drehen Sie den Zusatzgriff (12) in die gewünschte Position.
- ◆ Lassen Sie die Taste (15) los.

**Achtung!** Achten Sie darauf, dass die Zähne an der Taste entsprechend den Schlitzen am Griff ausgerichtet sind und dass der Griff sicher angebracht ist.

### Montage des Gebläserohrs (Abb. D)

- ◆ Richten Sie die 2 Markierungen (16) an der Unterseite des oberen Gebläserohrs (4) entsprechend den 2 Markierungen (17) an der Unterseite des unteren Gebläserohrs (5) aus.
- ◆ Drücken Sie das obere Gebläserohr (4) kräftig in das untere Gebläserohr (5), bis es einrastet.

**Achtung!** Versuchen Sie nicht, das Rohr nach der Montage wieder zu zerlegen.

### Einsetzen und Entnehmen des Konzentrators (Abb. D)

- ◆ Schieben Sie den Konzentrator (30) kräftig auf das untere Ende des unteren Gebläserohrs (5). Befestigen Sie den Konzentrator, indem Sie die Nase (31) in den Clip (32) einrasten.
- ◆ Um den Konzentrator zu entfernen, heben Sie den Clip (32) an und ziehen den Konzentrator (8) vom unteren Ende des unteren Gebläserohrs (5) ab.

## Merkmale

1. Geschwindigkeitsregel
2. Kabelhalterung
3. Auffangbehälter
4. Oberes Gebläserohr
5. Unteres Gebläserohr
6. Oberes Saugrohr
7. Mittleres Saugrohr
8. Unteres Saugrohr
9. Entriegelungstaste
10. Entriegelungstaste für den Auffangbeutel
11. Antriebseinheit
12. Zusatzgriff

## Montage



**Achtung!** Vergewissern Sie sich vor der Montage, dass das Gerät ausgeschaltet und von der Stromversorgung getrennt ist.



**Achtung!** Tragen Sie stets Schutzhandschuhe, wenn Sie mit dem Laubbläser/-sauger arbeiten.

### Montage des Saugrohrs (Abb. A)

Das Saugrohr muss vor der Verwendung montiert werden.

**Achtung!** Verwenden Sie das Gerät ausschließlich mit vollständig montiertem Saugrohr.

- ◆ Die Verwendung von Seifenlauge an der Verbindungsstelle erleichtert die Montage.
- ◆ Richten Sie die Kerben (13) und die Dreiecke (14) am oberen (6) und mittleren (7) Saugrohr aus.
- ◆ Drücken Sie das obere Saugrohr (6) kräftig auf das mittlere Saugrohr (7), bis die Dreiecke einrasten.

## Anbringen und Entfernen des Rasenlüfters (Abb. E) (nur GW3050 & GW2838)

- ◆ Positionieren Sie den Rasenlüfter (18) über dem Befestigungsschlitz (19) am unteren Ende des unteren Gebläserohrs (5).
- ◆ Schieben Sie den Rasenlüfter (18) mit einer Abwärtsbewegung kräftig über den Befestigungsschlitz (19), bis er einrastet.
- ◆ Um den Rasenlüfter zu entfernen, heben Sie die Entriegelungsvorrichtung (20) an und ziehen den Rasenlüfter (18) von der Befestigung (19).

## Verwendung

### Ein- und Ausschalten (Abb. F)

**Achtung!** Halten Sie das Gerät beim Einschalten sicher fest.

- ◆ Stellen Sie den Geschwindigkeitsregler (1) im Uhrzeigersinn auf die gewünschte Einstellung, um das Gerät einzuschalten.
- ◆ Um das Gerät auszuschalten, stellen Sie den Geschwindigkeitsregler (1) gegen den Uhrzeigersinn auf „Aus“.

### Kabelhalterung (Abb. G)

An der Antriebseinheit befindet sich eine Kabelhalterung (2).

- ◆ Führen Sie das Kabel (21) durch die Kabelhalterung (2).

### Verwenden des Geräts

**Achtung!** Tragen Sie beim Gebrauch des Laubbläsaugers stets eine Schutzbrille. Tragen Sie in staubigen Umgebungen zusätzlich eine Filtermaske.

**Achtung!** Schalten Sie das Gerät vor Anpassungen oder Wartungsarbeiten aus, warten Sie, bis das Gebläse zum Stillstand gekommen ist, und ziehen Sie den Netzstecker.

### Gebläsemodus (Abb. H und I)

- ◆ Befestigen Sie die Lüfterhaube (22) an der Antriebseinheit (11), indem Sie den Gebläseaufsatz in die mit dem Pfeil angezeigte Position bringen, durch eine Drehbewegung ausrichten und die Entriegelungstaste (9) drücken, bis der Haken (23) vollständig eingerastet ist. (Abb. H)
- ◆ Richten Sie das montierte Gebläserohr an der Antriebseinheit (11) aus.
- ◆ Drücken Sie das montierte Gebläserohr auf die Auswurföffnung (25), bis die Verriegelung sicher am Gebläserohr einrastet.

**Achtung!** Verwenden Sie den Gebläsemodus nicht, wenn Gebläserohr und Lüfterhaube nicht fest in ihrer Position sitzen.

- ◆ Halten Sie das Gebläserohr ca. 180 mm über dem Boden, schalten Sie das Gerät ein, und führen Sie das Gerät mit Krehbewegungen von einer Seite zur anderen. Gehen Sie langsam vorwärts, und bleiben Sie stets hinter dem gesammelten Laub und Schmutz (Abb. I).

- ◆ Wenn Sie die Blätter/den Schmutz zu einem Haufen zusammengeblasen haben, können Sie in den Saugmodus wechseln und den Schmutz aufsaugen.

### Entfernen des Gebläserohrs und der Lüfterhaube

- ◆ Um das Gebläserohr zu entfernen, drücken Sie die Entriegelungstaste für den Auffangbeutel (10), und ziehen Sie das Rohr ab. Achten Sie darauf, dass das Rohr nicht zu Boden fällt.
- ◆ Um die Lüfterhaube (22) zu entfernen, drücken Sie die Entriegelungstaste (9), und ziehen Sie die Lüfterhaube ab. Achten Sie darauf, dass die Lüfterhaube nicht zu Boden fällt.

### Saugmodus (Abb. H, J und K)

**Hinweis:** Der Auffangbehälter (3) muss zum Saugen/Häckseln angebracht werden.

- ◆ Entfernen Sie die Lüfterhaube (22), indem Sie die Entriegelungstaste (9) drücken und die Lüfterhaube (22) abziehen. Achten Sie darauf, dass die Lüfterhaube nicht zu Boden fällt.
- ◆ Bringen Sie den Auffangbehälter (3) an der Auswurföffnung (25) an, indem Sie ihn kräftig über die Öffnung schieben, bis er einrastet.
- ◆ Montieren Sie das montierte Saugrohr an der Antriebseinheit (11), indem Sie es in die mit dem Pfeil angezeigte Position bringen, durch eine Drehbewegung ausrichten und die Entriegelungstaste (9) drücken, bis der Haken vollständig eingerastet ist.
- ◆ Legen Sie sich den am Auffangbehälter angebrachten Trageriemen über die Schulter (Abb. K), um das zusätzliche Gewicht zu halten, wenn sich der Auffangbehälter füllt. Alternativ kann der Auffangbeutel an den auf dem oberen Saugrohr (4) angebrachten Stützträger (28 - Abb. A) angebracht werden. Dabei wird der Trageriemen mit einem Haken (29) an der Antriebseinheit (11) befestigt.
- ◆ Halten Sie das Saugrohr dicht über dem Laub/Schmutz. Schalten Sie das Gerät ein, und saugen Sie das Laub/den Schmutz mit Krehbewegungen auf. Das aufgesaugte Material wird gehäckselt und im Auffangbehälter gesammelt (Abb. K).
- ◆ Die Saugleistung lässt nach, wenn der Auffangbehälter gefüllt ist. Schalten Sie das Gerät aus, und ziehen Sie den Netzstecker.
- ◆ Öffnen Sie den Behälter, und leeren Sie den Inhalt aus, bevor Sie fortfahren.

**Achtung!** Entfernen Sie den Auffangbehälter keinesfalls, ohne vorher das Gerät auszuschalten und vom Stromnetz zu trennen.

**Hinweis:** Wenn die Saugleistung trotz leerem Auffangbehälter nachlässt, ist möglicherweise das Saugrohr verstopft. Schalten Sie das Gerät aus, trennen Sie es vom Stromnetz, und reinigen Sie das Rohr, bevor Sie die Arbeit fortsetzen.

## Problembehebung

Problem	Mögliche Lösung
Gerät kann nicht eingeschaltet werden	Überprüfen Sie die Stromversorgung.
	Überprüfen Sie die Sicherung des Steckers, und ersetzen Sie diese ggf. (nur Großbritannien).
	Überprüfen Sie, ob das Gebläse-/Saugrohr ordnungsgemäß an der Antriebseinheit angebracht ist.
	Wenn die Sicherung dennoch durchbrennt, ziehen Sie unverzüglich den Netzstecker, und wenden Sie sich bezüglich der Reparatur an eine Black & Decker Vertragswerkstatt.
Geringe Saugleistung/ hohes Pfeifen	Schalten Sie das Gerät aus, und ziehen Sie den Netzstecker. Die Schmutzablagerungen sollten sich aus dem Rohr lösen.
	Entfernen Sie den Auffangbehälter, und leeren Sie diesen.
	Überprüfen Sie, ob die Einsaug- und Auswurföffnung des Saugrohrs verstopft sind.
	Entfernen Sie alle Verschmutzungen im Gebläsebereich.
	Wenn die Saugleistung sich nicht verbessert, ziehen Sie unverzüglich den Netzstecker, und wenden Sie sich bezüglich der Reparatur an eine Black & Decker Vertragswerkstatt.
Geringe Häckselleistung	Schalten Sie das Gerät aus, ziehen Sie den Netzstecker, und entfernen Sie den Auffangbehälter.
	Entfernen Sie das Saugrohr, und überprüfen Sie das Gebläse.
	Entfernen Sie alle Verschmutzungen von den Gebläseflügeln.
	Wenn das Gebläse gebrochen oder beschädigt ist, wenden Sie sich bezüglich der Reparatur an eine örtliche Black & Decker Vertragswerkstatt.

## Wartung

Ihr Black & Decker Gerät wurde im Hinblick auf eine lange Lebensdauer und einen möglichst geringen Wartungsaufwand entwickelt. Ein dauerhafter, einwandfreier Betrieb setzt eine regelmäßige Pflege und Reinigung voraus.

- ◆ Bewahren Sie das Gerät sauber und trocken auf.
- ◆ Entfernen Sie sämtliche Blätter aus dem Saugrohr.
- ◆ Reinigen Sie die Lüftungsschlitze regelmäßig mit einem sauberen, trockenen Pinsel.
- ◆ Reinigen Sie den Auffangbeutel regelmäßig, und stellen Sie nach jeder Verwendung sicher, dass er sauber und leer ist.

- ◆ Reinigen Sie das Gerät ausschließlich mit milder Seifenlösung und einem feuchten Tuch. Achten Sie darauf, dass keine Flüssigkeit in das Gerät gelangt. Tauchen Sie kein Teil des Geräts in Flüssigkeit ein. Verwenden Sie keine scheuernden Reinigungsmittel oder Reinigungsmittel auf Lösungsmittelbasis.
- ◆ Das Gerät verfügt über selbstschmierende Lager, weiteres Schmieren ist nicht erforderlich.

## Austauschen des Netzsteckers (nur Großbritannien und Irland)

Gehen Sie folgendermaßen vor, wenn ein neuer Netzstecker angeschlossen werden muss:

- ◆ Entsorgen Sie den alten Stecker auf sachgerechte Weise.
- ◆ Verbinden Sie die braune Leitung mit dem spannungsführenden Anschluss des Steckers.
- ◆ Verbinden Sie die blaue Leitung mit dem neutralen Anschluss.

**Achtung!** Der Erdleiter wird nicht angeschlossen. Befolgen Sie die Anleitungen, die dem Stecker beiliegen. Empfohlene Sicherung: 13 A.

## Umweltschutz



Getrennte Entsorgung. Dieses Produkt darf keinesfalls mit dem Hausmüll entsorgt werden.

Sollten Sie Ihr Black & Decker Produkt eines Tages ersetzen oder nicht mehr benötigen, entsorgen Sie es nicht mit dem Hausmüll. Führen Sie das Produkt einer getrennten Sammlung zu.



Durch die getrennte Sammlung von ausgedienten Produkten und Verpackungsmaterialien können Rohstoffe recycelt und wiederverwendet werden. Die Wiederverwendung aufbereiteter Materialien trägt zur Vermeidung von Umweltverschmutzung bei und senkt den Rohstoffbedarf.

Die Verordnung zur Abfallentsorgung Ihrer Gemeinde sieht möglicherweise vor, dass Elektrogeräte getrennt vom Hausmüll gesammelt, an der örtlichen Abfallentsorgungseinrichtung abgegeben oder beim Kauf eines neuen Produkts vom Fachhandel zur Entsorgung angenommen werden müssen.

Black & Decker nimmt Ihre ausgedienten Black & Decker Geräte gern zurück und sorgt für eine umweltfreundliche Entsorgung bzw. Wiederverwertung. Um diese Dienstleistung in Anspruch zu nehmen, geben Sie das Gerät bitte bei einer autorisierten Reparaturwerkstatt ab, die für uns die Einsammlung übernimmt.

Die Adresse der zuständigen Niederlassung von Black & Decker steht in dieser Anleitung. Dort teilt man Ihnen gerne die nächstgelegene Vertragswerkstatt mit. Eine Liste der Vertragswerkstätten und aller Kundendienststellen von Black & Decker sowie der zuständigen Ansprechpartner finden Sie auch im Internet unter: [www.2helpU.com](http://www.2helpU.com)

**EG-Konformitätserklärung**  
 MASCHINENRICHTLINIE  
 AUSSENLAUTSTÄRKERICHTLINIE



GW2810 GW2838, GW3030, GW3050

Black & Decker erklärt, dass die in den technischen Daten beschriebenen Geräte übereinstimmen mit:  
 2006/42/EG, EN 60335

2000/14/EG, Laubsauger/-bläser, Anhang V  
 KEMA Quality B.V., Utrechtseweg 310, 6802 ED Arnhem,  
 Niederlande  
 Gemeldet unter ID Nr.: 0344

Schallpegel gemäß 2000/14/EG  
 (Artikel 13, Anhang III):  
 $L_{WA}$  (gemessene Schalleistung) 104 dB(A)  
 Unsicherheitsfaktor = 3 dB(A)  
 $L_{WA}$  (garantierte Schalleistung) 107 dB(A)  
 Unsicherheitsfaktor = 3 dB(A)

Diese Produkte entsprechen außerdem der Richtlinie  
 2004/108/EG und 2011/65/EU.

Weitere Informationen erhalten Sie von Black & Decker unter der folgenden Adresse. Diese befindet sich auch auf der Rückseite dieser Anleitung.

Der Unterzeichnete ist verantwortlich für die Zusammenstellung der technischen Daten und gibt diese Erklärung im Namen von Black & Decker ab.

Kevin Hewitt  
 Vice-President Global Engineering  
 Black & Decker Europe, 210 Bath Road, Slough,  
 Berkshire, SL1 3YD  
 Großbritannien  
 10/04/2013

### Technische Daten

		GW2810 GW2838 (Typ 1)	GW3030 (Typ 1)	GW3050 (Typ 1)
Eingangsspannung	$V_{AC}$	230	230	230
Leistungsaufnahme	W	2800	3000	3000
Kapazität	l	50	50	50
Gewicht (Laubgebläse)	mm	3.45	3.7	3.7
Gewicht (Laubsauger)	mm	4.85	4.85	4.85

Gesamtvibration (Triax-Vektorsumme) gemäß EN 60745:

Vibration ( $a_w$ ) 9.8  $m/s^2$ , Unsicherheitsfaktor (K) 1.5  $m/s^2$

## Garantie

Black & Decker vertraut auf die Qualität der eigenen Geräte und bietet dem Käufer eine außergewöhnliche Garantie. Diese Garantiezusage versteht sich unbeschadet der gesetzlichen Gewährleistungsansprüche und schränkt diese keinesfalls ein. Sie gilt in sämtlichen Mitgliedstaaten der Europäischen Union und der Europäischen Freihandelszone EFTA.

Tritt innerhalb von 24 Monaten ab Kaufdatum an einem Gerät von Black & Decker ein auf Material- oder Verarbeitungsfehler zurückzuführender Mangel auf, garantiert Black & Decker den Austausch defekter Teile, die Reparatur von Geräten mit üblichem Verschleiß bzw. den Austausch eines mangelhaften Gerätes, ohne den Kunden dabei mehr als unbedingt nötig in Anspruch zu nehmen, allerdings vorbehaltlich folgender Ausnahmen:

- ◆ wenn das Gerät gewerblich, beruflich oder im Verleihegeschäft benutzt wurde;
- ◆ wenn das Gerät missbräuchlich verwendet oder mit mangelnder Sorgfalt behandelt wurde;
- ◆ wenn das Gerät durch irgendwelche Fremdeinwirkung beschädigt wurde;
- ◆ wenn ein unbefugter Reparaturversuch durch anderes Personal als das einer Vertragswerkstatt oder des Black & Decker Kundendienstes unternommen wurde.

Zur Inanspruchnahme dieser Garantie ist dem Verkäufer bzw. der Vertragswerkstatt ein Kaufnachweis vorzulegen. Die Adresse der zuständigen Niederlassung von Black & Decker steht in dieser Anleitung. Dort teilt man Ihnen gerne die nächstgelegene Vertragswerkstatt mit. Eine Liste der Vertragswerkstätten und aller Kundendienststellen von Black & Decker sowie der zuständigen Ansprechpartner finden Sie auch im Internet unter: [www.2helpU.com](http://www.2helpU.com)

Bitte besuchen Sie unsere Website [www.blackanddecker.de](http://www.blackanddecker.de), um Ihr neues Black & Decker Produkt zu registrieren. Dort erhalten Sie auch Informationen über neue Produkte und Sonderangebote. Weitere Informationen über die Marke Black & Decker und unsere Produkte finden Sie unter [www.blackanddecker.de](http://www.blackanddecker.de).

## Utilisation

Votre aspirateur-souffleur Black & Decker est conçu pour ramasser les feuilles mortes. Cet appareil ne peut être utilisé qu'à l'extérieur et que pour les travaux domestiques.

## Consignes de sécurité concernant ce genre d'appareil



**Attention !** De simples précautions sont à prendre pour l'utilisation d'appareil sans fil ou branché à l'alimentation principale. Les conseils suivants doivent toujours être appliqués, ceci afin de réduire le risque d'incendie, les chocs électriques, les blessures et les dommages matériels.

- ◆ Lisez attentivement le manuel complet pour utiliser l'appareil de manière appropriée. Familiarisez-vous avec les commandes.
- ◆ Ce manuel décrit la manière d'utiliser cet appareil. L'utilisation d'un accessoire ou d'une fixation, ou bien l'utilisation de cet appareil à d'autres fins que celles recommandées dans ce manuel d'instruction peut présenter un risque de blessures.

La notion "d'appareil" mentionnée dans toutes les consignes de sécurité listées ci-dessous se rapporte à des appareils raccordés au secteur (avec câble de raccordement) ou alimenté par batterie.

**Conservez tous les avertissements et instructions pour référence ultérieure.**

## Utilisation de votre appareil

### ◆ Prenez toutes les précautions nécessaires pour utiliser l'appareil.

- ◆ Maintenez la zone de travail propre et bien éclairée. Un lieu de travail en désordre ou mal éclairé augmente le risque d'accidents.
- ◆ Utilisez cet appareil uniquement dans la journée ou avec un éclairage artificiel approprié.
- ◆ N'utilisez pas l'appareil dans un environnement présentant des risques d'explosion, ni en présence de liquides, gaz ou poussières inflammables.
- ◆ Ne laissez jamais les enfants ou toute autre personne ne connaissant pas ces instructions, utiliser l'appareil. Des réglementations locales peuvent limiter l'âge de l'opérateur.
- ◆ Ne laissez pas les enfants ou les animaux s'approcher de la zone de travail ou toucher le fil électrique.
- ◆ Pendant l'utilisation d'un appareil, les enfants, les animaux et autres personnes doivent rester éloignés. En cas d'inattention, vous risquez de perdre le contrôle.
- ◆ Cet appareil ne doit pas être utilisé comme jouet.
- ◆ Ne plongez pas l'appareil dans l'eau.
- ◆ N'ouvrez pas le boîtier. Il n'y a aucune pièce réparable par l'utilisateur à l'intérieur.



## Sécurité personnelle

- ◆ Restez vigilant, surveillez ce que vous faites. Faites preuve de bon sens quand vous utilisez un appareil. N'utilisez pas l'appareil lorsque vous êtes fatigué ou après avoir consommé de l'alcool ainsi que des médicaments. Un moment d'inattention lors de l'utilisation de l'appareil peut entraîner de graves blessures.
- ◆ Si nécessaire, portez un équipement de protection. Selon le travail à effectuer, le port d'équipement de protection tels que des lunettes de protection, un masque anti-poussières, des chaussures de sécurité antidérapantes, un casque ou des protections auditives, réduit le risque de blessures.
- ◆ Évitez un démarrage imprévu. L'appareil doit être en position OFF (arrêt) avant d'effectuer le branchement à l'alimentation et/ou au bloc-batterie ou de le porter. Ne laissez pas votre doigt sur le bouton de commande en le transportant. N'alimentez pas l'appareil si le bouton est activé. Ceci pourrait être à l'origine d'accident.
- ◆ Adoptez une position confortable. Adoptez une position stable et gardez votre équilibre en permanence. Vous contrôlerez mieux l'appareil dans des situations inattendues.

- ◆ Portez des vêtements appropriés. Ne portez pas de vêtements amples ou de bijoux. N'approchez pas les cheveux, vêtements ou gants des parties des pièces mobiles. Les vêtements amples, les bijoux ou les cheveux longs peuvent s'accrocher dans les pièces en mouvement.

## Utilisation des appareils et précautions

- ◆ Avant l'utilisation, vérifiez si l'appareil est en bon état ou si aucune pièce ne manque. Recherchez des pièces cassées, des boutons endommagés et d'autres anomalies susceptibles de nuire au bon fonctionnement de l'appareil.
- ◆ N'utilisez pas l'appareil si la commande marche/arrêt est défectueuse. Un appareil qui ne peut plus être mis en marche/arrêt présente un danger et doit être réparé.
- ◆ Retirez la prise de courant et/ou débranchez le bloc-batterie avant d'effectuer des réglages, de changer les accessoires ou de ranger l'appareil. Cette mesure de précaution permet d'éviter une mise en marche involontaire.
- ◆ Le cas échéant, maintenez les outils de coupe aiguisés et propres. Des outils soigneusement entretenus avec des bords tranchants bien aiguisés se coincent moins souvent et peuvent être guidés plus facilement.
- ◆ N'utilisez pas l'appareil si une pièce est endommagée ou défectueuse.

- ◆ Faites réparer ou remplacer les pièces défectueuses ou endommagées par un réparateur agréé.
- ◆ Ne tentez jamais de retirer ou de remplacer des pièces autres que celles citées dans ce manuel.
- ◆ Si l'appareil doit être utilisé dans un endroit humide, prenez les précautions nécessaires en utilisant un dispositif à courant résiduel (RCD). L'utilisation d'un tel dispositif réduit les risques d'électrocution.

## Sécurité électrique

- ◆ Les prises de l'appareil doivent être adaptées à la prise de courant. Ne modifiez en aucun cas la prise. N'utilisez pas de prises d'adaptateur avec des appareils ayant une prise de terre. Le respect de ces consignes réduit le risque de choc électrique.
- ◆ N'exposez pas l'appareil à la pluie ni à l'humidité. La pénétration d'eau augmente le risque de choc électrique.
- ◆ Préservez le câble d'alimentation. N'utilisez pas le câble pour porter l'appareil, pour l'accrocher. Ne le tirez pas pour le débrancher. Maintenez le câble éloigné des sources de chaleurs, des parties huilées, des bords tranchants ou des pièces en rotation. Le risque de choc électrique augmente si les câbles sont endommagés ou emmêlés.
- ◆ en utilisant l'appareil à l'extérieur, utilisez une rallonge homologuée pour une utilisation à l'extérieur. L'utilisation d'une rallonge électrique homologuée pour les travaux à l'extérieur réduit le risque de choc électrique.

## Après l'utilisation

- ◆ Quand il n'est pas utilisé, l'appareil doit être rangé dans un endroit suffisamment aéré, sec et hors de portée des enfants.
- ◆ Les enfants ne doivent pas avoir accès aux appareils rangés.
- ◆ Quand l'appareil est rangé ou transporté dans un véhicule, il doit être installé dans le coffre ou correctement calé pour éviter les mouvements dus aux changements de direction ou de vitesse.

## Réparations

- ◆ Faites réparer votre appareil uniquement par du personnel qualifié et seulement avec des pièces de rechange appropriées. La sécurité de votre appareil sera ainsi maintenue.

## Consignes de sécurité supplémentaires pour l'utilisation des aspirateurs-souffleurs

Ce manuel décrit la manière d'utiliser cet appareil. L'utilisation d'un accessoire ou d'une fixation, ou bien l'utilisation de cet appareil à d'autres fins que celles recommandées dans ce manuel d'instructions peut entraîner des blessures et/ou des dommages matériels.

- ◆ Pour protéger vos pieds et vos jambes en utilisant l'appareil, portez toujours des chaussures renforcées et des pantalons.
- ◆ N'utilisez pas en mode aspiration sans les tubes d'aspirateur et le sac de ramassage en place.
- ◆ Éteignez toujours l'appareil, laissez le ventilateur s'arrêter et débranchez la prise murale quand :
  - ◆ Vous passez du souffleur à l'aspirateur.
  - ◆ Le câble d'alimentation est endommagé ou entremêlé.
  - ◆ Vous laissez l'appareil sans surveillance.
  - ◆ Vous éliminez un élément qui bouche l'appareil.
  - ◆ Vous vérifiez, ajustez, nettoyez ou réparez votre appareil.
  - ◆ L'appareil commence à vibrer anormalement.

- ◆ Ne placez pas l'entrée ou la sortie de l'aspirateur près des yeux ou des oreilles pendant le fonctionnement. Ne soufflez jamais les débris dans la direction de personnes.
- ◆ N'utilisez en aucun cas l'appareil sous la pluie et ne le laissez pas dehors par temps pluvieux.
- ◆ Ne traversez pas des passages avec graviers quand votre appareil est en mode aspiration/soufflage. Marchez, ne courez jamais.
- ◆ Ne posez pas l'appareil sur les graviers quand il est en marche.
- ◆ Faites attention à votre position, surtout dans les pentes. Ne faites aucun effort non approprié et gardez votre équilibre en permanence.
- ◆ N'aspirez pas des éléments qui pourraient être contaminés par des liquides inflammables ou combustibles ou dans des zones où ces produits pourraient être présents.
- ◆ Ne placez aucun objet dans les ouvertures. N'utilisez jamais l'appareil si les ouvertures sont bloquées – dégagez la poussière, les cheveux et les peluches qui pourraient bloquer le passage d'air.

**Attention !** Utilisez toujours cet appareil en respectant les consignes de ce manuel. Votre appareil doit être utilisé verticalement pour éviter les risques de blessures. N'utilisez jamais cet appareil vers le haut ou posé sur le côté.

- ◆ L'utilisateur est tenu pour responsable des accidents ou des situations dangereuses survenant sur autrui ou sur leurs biens.

- ◆ Ne portez pas l'appareil par le câble.
- ◆ Le câble doit toujours être éloigné vers l'arrière de l'appareil.

**Attention !** Si un câble est endommagé pendant l'utilisation, débranchez immédiatement l'appareil. Ne touchez surtout pas le câble avant de l'avoir débranché.

- ◆ N'utilisez pas de solvants ou de liquide de nettoyage pour nettoyer l'appareil. Utilisez un racloir pour retirer l'herbe et les saletés.
- ◆ Vérifiez régulièrement l'état du sac de ramassage.
- ◆ Des ventilateurs de rechange sont disponibles chez votre réparateur agréé Black & Decker. N'utilisez que des pièces de remplacement et des accessoires recommandés par Black & Decker.
- ◆ Les écrous, boulons et vis doivent être correctement serrés pour travailler en toute sécurité.

## Sécurité des personnes

- ◆ Cet appareil peut être utilisé par des enfants âgés de 8 ans ou plus et des personnes ayant des déficiences physiques, mentales ou sensorielles. Cette consigne s'applique aux personnes ayant reçu les instructions appropriées d'utilisation fiable et ayant connaissance des dangers existants. Afin d'éviter que les enfants jouent avec cet appareil, ne les laissez pas sans surveillance. Les enfants ne peuvent en aucun cas assurer le nettoyage et la maintenance sans surveillance.

- ◆ Ne laissez jamais les enfants sans surveillance pour éviter qu'ils ne jouent avec cet outil.

## Sécurité électrique



- ◆ Cet appareil est doublement isolé. Par conséquent, aucun câble de mise à la terre n'est nécessaire. Vérifiez si l'alimentation mentionnée sur la plaque signalétique de l'outil correspond bien à la tension présente sur le lieu.
- ◆ Si le câble d'alimentation est endommagé, il doit être remplacé par le fabricant ou par un Centre de réparation agréé Black & Decker pour éviter tout risque.
- ◆ Utilisez un dispositif de courant résiduel à grande sensibilité, 30 mA (RCD) pour améliorer la sécurité électrique.

## Utilisation d'une rallonge

La rallonge utilisée doit être conforme aux normes et doit s'adapter exactement à la prise de cet outil (voir les données techniques). La rallonge doit être adaptée à une utilisation à l'extérieur et signalée comme tel. Une rallonge Black & Decker HO5V V-F de 1.5 mm<sup>2</sup> allant jusqu'à 30 m peut être utilisée sans que les performances de l'appareil ne soient limitées. Avant d'utiliser la rallonge, assurez-vous qu'elle est en bon état et récente. Remplacez la rallonge si elle est en mauvais état. Si vous utilisez un dévidoir, le câble doit être complètement déroulé.

## Risques résiduels.

L'utilisation d'un outil non mentionné dans les consignes de sécurité données peut entraîner des risques résiduels supplémentaires. Ces risques peuvent survenir si la machine est mal utilisée, si l'utilisation est prolongée, etc.

Malgré l'application des normes de sécurité correspondantes et la présence de dispositifs de sécurité, les risques résiduels suivants ne peuvent être évités. Ceci comprend :

- ◆ Les blessures dues au contact avec une pièce mobile/en rotation.
- ◆ Les blessures causées en changeant des pièces, lames ou accessoires.
- ◆ Les blessures dues à l'utilisation prolongée d'un outil. Une utilisation prolongée de l'outil nécessite des pauses régulières.
- ◆ Déficience auditive.

- ◆ Risques pour la santé causés par l'inhalation de poussières produites pendant l'utilisation de l'outil (exemple : travail avec du bois, surtout le chêne, le hêtre et les panneaux en MDF).

## Étiquettes sur l'appareil

Les pictogrammes ci-dessous se trouvent sur l'outil :



**Attention !** Lisez le manuel avant la mise en marche.



Portez toujours des lunettes de sécurité pour utiliser cet appareil.



Portez toujours des protections auditives appropriées pour utiliser cet appareil.



N'exposez pas l'appareil à la pluie ou à une forte humidité. Ne le laissez pas dehors par temps pluvieux.



Mise sous tension : débranchez du secteur avant le nettoyage ou la maintenance.



Attention aux projections.



Ne laissez personne s'approcher.



## Normes 2000/14/CE, puissance sonore garantie.

### Fonctionnalités

1. Commande de variation de vitesse
2. Dispositif de fixation du câble
3. Sac de ramassage
4. Tube de soufflage supérieur
5. Tube de soufflage inférieur
6. Tube d'aspiration supérieur
7. Tube d'aspiration du milieu
8. Tube d'aspiration inférieur
9. Bouton de dégagement de l'aspirateur
10. Bouton de dégagement du sac
11. Bloc moteur
12. Deuxième poignée

### Assemblage



**Attention !** Avant l'assemblage, assurez-vous que l'outil est éteint et débranché.



**Attention !** Portez toujours des gants de protection quand vous utilisez votre aspirateur-souffleur.

### Assemblage du tube d'aspiration (figure A)

Les tubes d'aspiration doivent être assemblés avant l'utilisation.

**Attention !** N'utilisez pas l'appareil avec les tubes séparés.

- ◆ Pour assembler facilement les tubes, appliquez une couche d'eau savonneuse sur le raccord.
- ◆ Alignez les encoches (13) et les triangles (14) sur le tube d'aspiration supérieur (6) et du milieu (7).
- ◆ Poussez fermement le tube d'aspiration supérieur (6) dans le tube d'aspiration du milieu (7) jusqu'à ce que les triangles s'enclenchent.
- ◆ Alignez les encoches (13) et les triangles (14) sur le tube d'aspiration du milieu (7) et inférieur (8).
- ◆ Poussez fermement le tube d'aspiration du milieu (7) dans le tube d'aspiration inférieur (8) jusqu'à ce que les triangles s'enclenchent.

**Attention !** Ne séparez pas les tubes une fois assemblés.

### Fixation de la deuxième poignée (figure B) (GW3050 uniquement)

- ◆ Appuyez de manière prolongée sur les boutons (15) qui se trouvent sur la poignée.

- ◆ Glissez la deuxième poignée (12) au dessus des boutons (15).

**Remarque :** Le bouton orange doit être du même côté que le grand trou sur la poignée.

**Attention !** Assurez-vous que les dents sur le bouton sont correctement alignées dans les rainures de la poignée et que la poignée est bien fixée.

### Réglage de la position de la deuxième poignée (figures C) (GW3050 Only)

La deuxième poignée (12) peut être réglée pour offrir un maximum de confort et d'équilibre.

- ◆ Appuyez sur le bouton (15) qui se trouve sur le côté gauche de la poignée.
- ◆ Tournez la deuxième poignée (12) dans la position requise.
- ◆ Relâchez le bouton (15).

**Attention !** Assurez-vous que les dents sur le bouton sont correctement alignées dans les rainures de la poignée et que la poignée est bien fixée.

### Assemblage du tube de soufflage (figure D).

- ◆ Alignez les 2 repères (16) en bas du tube de soufflage supérieur (4) et les 2 repères (17) sur le bas du tube de soufflage inférieur (5).
- ◆ Poussez fermement le tube de soufflage supérieur (4) dans le tube de soufflage inférieur (5) jusqu'à ce qu'ils s'enclenchent.

**Attention !** Ne séparez pas les tubes une fois assemblés.

### Installation et retrait du concentrateur (figure D)

- ◆ Glissez fermement le concentrateur (30) sur l'extrémité du bas du tube de soufflage inférieur (5). Sécurisez le concentrateur en enclenchant la patte (31) sur le clip (32)
- ◆ Pour retirer, soulevez le clip (32) et sortez le concentrateur (8) en le glissant en bas du tube de soufflage inférieur (5).

### Mise en place et retrait du racloir (figure E) (GW3050 & GW2838 uniquement)

- ◆ Placez le racloir (18) au-dessus du support (19) en bas du tube de soufflage inférieur (5).
- ◆ Glissez fermement le racloir (18) vers le bas sur le support (19), jusqu'à ce qu'il s'enclenche.
- ◆ Pour le retirer, soulevez le bouton de dégagement (20) et glissez le racloir (18) hors du support (19).

## Utilisation

### Mise en marche et arrêt (figure F)

**Attention !** Tenez fermement l'appareil avec les deux mains pendant le fonctionnement.

- ◆ Pour mettre l'appareil en marche, tournez la commande de variation de vitesse (1) dans le sens des aiguilles d'une montre et sélectionnez la vitesse désirée.
- ◆ Pour éteindre l'appareil, tournez la commande de variation de vitesse (1) dans le sens inverse des aiguilles d'une montre et sélectionnez la position Off (arrêt).

### Dispositif de fixation du câble (figure G)

Un dispositif de fixation du câble (2) se trouve à l'arrière du bloc moteur.

- ◆ Entourez le câble (21) dans le dispositif de fixation (2).

### Utilisation de votre appareil

**Attention !** Portez toujours des lunettes de sécurité pour les travaux de soufflage et d'aspiration. Pour les travaux dégagant de la poussière, portez aussi un masque.

**Attention !** Éteignez l'appareil, laissez le ventilateur s'arrêter et débranchez la prise avant d'effectuer des réglages, des entretiens ou des réparations.

### Mode de soufflage (figures H et I)

- ◆ Fixez le couvercle de ventilateur (22) sur le bloc moteur (11) en plaçant l'ensemble comme indiqué par la flèche, puis faites pivoter à partir de ce point et appuyez sur le bouton de dégagement de l'aspirateur (9) jusqu'à ce que le cliquet (23) soit complètement enclenché. (figure H)
- ◆ Alignez le tube de soufflage monté au bloc moteur (11).
- ◆ Poussez le tube de soufflage monté sur la sortie de l'aspirateur (25) jusqu'à ce que le système de verrouillage s'enclenche sur le tube de soufflage.

**Attention !** Le mode de soufflage ne peut être utilisé que si le tube de soufflage et le couvercle de ventilateur sont correctement installés.

- ◆ Tenez le tube de soufflage à environ 180 mm au-dessus du sol, allumez l'appareil et avancez lentement en balayant d'un côté à l'autre et en gardant les feuilles/débris devant vous (figure I).
- ◆ Après avoir soufflé les feuilles/débris en tas, vous pouvez passer en mode aspiration pour ramasser les débris.

### Retrait du tube de soufflage et du couvercle de ventilateur

- ◆ Pour retirer le tube de soufflage, appuyez sur le bouton de dégagement du sac (10) et sortez le tube en prenant les précautions nécessaires pour qu'il ne tombe pas.

- ◆ Pour retirer le couvercle de ventilateur (22), appuyez sur le bouton de dégagement de l'aspirateur (9) et sortez le couvercle de ventilateur (22) en prenant les précautions nécessaires pour qu'il ne tombe pas.

### Mode aspiration (figures H, J et K)

**Remarque :** Pour l'aspiration/broyage, le sac de ramassage (3) est nécessaire.

- ◆ Pour retirer le couvercle de ventilateur (22), appuyez sur le bouton de dégagement de l'aspirateur (9) et sortez le couvercle de ventilateur (22) en prenant les précautions nécessaires pour qu'il ne tombe pas.
- ◆ Fixez le sac de ramassage (3) à la sortie de l'aspirateur (25) en appuyant fermement jusqu'à ce qu'il s'enclenche.
- ◆ Fixez le tube d'aspiration au bloc moteur (11) en plaçant l'ensemble comme indiqué par la flèche, puis faites pivoter à partir de ce point et appuyez sur le bouton de dégagement de l'aspirateur (9) jusqu'à ce que le cliquet soit complètement enclenché.
- ◆ Placez la lanière du sac de ramassage sur votre épaule (figure K). Cela vous permettra de supporter le poids au fur et à mesure du remplissage. Le sac de ramassage peut aussi être accroché au support (28 - figure A) sur le tube d'aspiration supérieur (4). La lanière peut être installée sur le bloc moteur (11) à l'aide du crochet (29).
- ◆ Placez le tube d'aspirateur légèrement au-dessus des débris/feuilles. Mettez votre appareil en marche et effectuez un balayage. Les débris/feuilles seront aspirés dans le tuyau, broyés et expédiés dans le sac de ramassage (figure K).
- ◆ Au fur et à mesure du remplissage, la puissance de l'aspiration faiblit. Arrêtez l'appareil et débranchez-le de la prise murale.
- ◆ Ouvrez le sac pour vider le contenu avant de continuer.

**Attention !** Ne retirez jamais le sac sans avoir éteint et débrancher l'appareil.

**Remarque :** Si l'aspiration faiblit et que le sac est plein, le tube de l'aspirateur est probablement bouché. Éteignez et débranchez l'appareil, puis nettoyez le tube avant de continuer.

## Dépannage

Problème	Solution possible
Fonctionnement impossible	Vérifiez le branchement à la prise.
	Vérifiez le fusible de la prise. S'il est grillé, remplacez-le (Royaume-Uni uniquement).
	Vérifiez si le tube d'aspiration/soufflage est correctement raccordé au bloc moteur.
	Si le fusible continue de griller – débranchez immédiatement l'appareil de la prise murale et consultez votre réparateur agréé Black & Decker local.
Faible aspiration/bruit strident	Arrêtez l'appareil – débranchez-le de la prise murale, les débris devraient tomber du tuyau.
	Retirez le sac de ramassage et videz-le.
	Vérifiez que l'entrée et la sortie du tube sont dégagées.
	Retirez les débris autour du ventilateur.
	Si l'aspiration reste inefficace – débranchez immédiatement l'appareil de la prise murale et consultez votre réparateur agréé Black & Decker local.
Broyage inefficace	Arrêtez l'appareil – débranchez-le de la prise murale et retirez le sac de ramassage.
	Retirez le tube de l'aspirateur et vérifiez le ventilateur.
	Nettoyez les débris sur les pales du ventilateur.
	Si le ventilateur est endommagé ou usé, ne l'utilisez pas - contactez votre réparateur agréé Black & Decker.

## Entretien

Votre appareil Black & Decker a été conçu pour fonctionner pendant longtemps avec un minimum d'entretien. Un fonctionnement continu satisfaisant dépend d'un nettoyage régulier et d'un entretien approprié de l'appareil.

- ◆ Maintenez l'appareil propre et sec.
- ◆ Retirez les feuilles collées à l'intérieur du tube de l'aspirateur.
- ◆ Nettoyez régulièrement les orifices de ventilation à l'aide d'une brosse sèche et propre.
- ◆ Nettoyez régulièrement le sac de ramassage et assurez-vous qu'il est propre et vide à chaque utilisation.
- ◆ Pour nettoyer l'appareil, utilisez exclusivement du savon doux et un chiffon humide. Évitez toute pénétration de liquide dans l'outil et ne plongez aucune pièce dans du liquide. N'utilisez pas de produit abrasif ou à base de solvant.

- ◆ Cet appareil est muni de roulements auto-lubrifiés, aucun graissage n'est donc nécessaire.

## Remplacement des prises secteur (RU et Irlande uniquement)

Si une nouvelle prise secteur doit être installée :

- ◆ Mettez au rebut la vieille prise.
- ◆ Branchez le fil brun dans la borne de la nouvelle prise.
- ◆ Branchez le fil bleu à la borne neutre.

**Attention !** Aucune connexion ne doit être faite à la borne de terre. Suivez les instructions de montage fournies avec les prises de bonne qualité. Fusibles recommandés : 13 A.

## Protection de l'environnement

Recyclage. Cet outil ne doit pas être jeté avec les déchets ménagers.



Si votre appareil/outil Black & Decker doit être remplacé ou si vous ne l'utilisez plus, ne le jetez pas avec les ordures ménagères. Songez à la protection de l'environnement et recyclez-le.



La collecte séparée des produits et des emballages usagés permet de recycler et de réutiliser des matériaux. La réutilisation de matériaux recyclés évite la pollution de l'environnement et réduit la demande de matières premières.

Des réglementations locales peuvent stipuler la collecte séparée des produits électriques et des produits ménagers, dans des déchetteries municipales ou par le revendeur lorsque vous achetez un nouveau produit.

Black & Decker offre une solution permettant de recycler les produits Black & Decker lorsqu'ils ont atteint la fin de leur cycle de vie. Pour pouvoir profiter de ce service, veuillez retourner votre produit à un réparateur agréé qui se chargera de le collecter pour nous.

Pour connaître l'adresse du réparateur agréé le plus proche de chez vous, contactez le bureau Black & Decker à l'adresse indiquée dans ce manuel. Vous pourrez aussi trouver une liste de réparateurs agréés Black & Decker et de plus amples détails sur notre service après-vente sur le site Internet à l'adresse suivante : [www.2helpU.com](http://www.2helpU.com)



**Caractéristiques techniques**

		GW2810 GW2838 (Type 1)	GW3030 (Type 1)	GW3050 (Type 1)
Tension d'entrée	V <sub>AC</sub>	230	230	230
Puissance	W	2800	3000	3000
Capacité	l	50	50	50
Poids (souffleur)	mm	3.45	3.7	3.7
Poids (aspirateur)	mm	4.85	4.85	4.85

Valeurs totales des vibrations (somme vectorielle triaxiale) selon la norme  
EN 60745 :

Vibration ( $a_{Hv}$ ) 9.8 m/s<sup>2</sup>, incertitude (K) 1.5 m/s<sup>2</sup>

**Déclaration de conformité CE**

CONSIGNES DE MACHINERIE  
CONSIGNES NUISANCES SONORES EXTÉRIEURES



GW2810 GW2838, GW3030, GW3050

Black & Decker confirme que les produits décrits dans les  
« Données techniques » sont conformes aux normes :  
2006/42/CE, EN 60335

2000/14/CE, Aspirateur-souffleur, Annexe V  
KEMA Quality B.V., Utrechtseweg 310, 6802 ED Arnhem,  
The Netherlands  
N° ID corps : 0344

Niveau de puissance sonore selon la norme 2000/14/CE  
(Article 13, Annexe III) :

L<sub>WA</sub> (puissance sonore mesurée) 104 dB(A)  
Incertitude = 3 dB(A)

L<sub>WA</sub> (puissance sonore garantie) 107 dB(A)  
Incertitude = 3 dB(A)

Ces produits sont conformes aux normes  
2004/108/CE et 2011/65/UE.

Pour plus de détails, veuillez contacter Black & Decker à  
l'adresse suivante ou reportez-vous au dos du manuel.  
Le soussigné est responsable des données de la fiche tech-  
nique et fait cette déclaration au nom de Black & Decker.

Kevin Hewitt  
Vice-Président - ingénierie internationale  
Black & Decker Europe, 210 Bath Road, Slough,  
Berkshire, SL1 3YD  
Royaume-Uni  
10/04/2013

## Garantie

Black & Decker vous offre une garantie très élargie ainsi que des produits de qualité. Ce certificat de garantie est un document supplémentaire et ne peut en aucun cas se substituer à vos droits légaux. La garantie est valable sur tout le territoire des États Membres de l'Union Européenne et de la Zone de Libre Échange Européenne.

Si un produit Black & Decker s'avère défectueux en raison de matériaux en mauvaises conditions, d'une erreur humaine, ou d'un manque de conformité dans les 24 mois suivant la date d'achat, Black & Decker garantit le remplacement des pièces défectueuses, la réparation des produits usés ou cassés ou remplace ces produits à la convenance du client, sauf dans les circonstances suivantes :

- ◆ Le produit a été utilisé dans un but commercial, professionnel, ou a été loué;
- ◆ Le produit a été mal utilisé ou utilisé avec négligence;
- ◆ Le produit a subi des dommages à cause d'objets étrangers, de substances ou à cause d'accidents;
- ◆ Des réparations ont été tentées par des techniciens ne faisant pas partie du service technique de Black & Decker.

Pour avoir recours à la garantie, il est nécessaire de fournir une preuve d'achat au vendeur ou à un réparateur agréé.

Pour connaître l'adresse du réparateur agréé le plus proche de chez vous, contactez le bureau Black & Decker à l'adresse indiquée dans ce manuel. Vous pourrez aussi trouver une liste de réparateurs agréés Black & Decker et de plus amples détails sur notre service après-vente sur le site Internet à l'adresse suivante : [www.2helpU.com](http://www.2helpU.com)

Visitez notre site Web [www.blackanddecker.fr](http://www.blackanddecker.fr) pour enregistrer votre nouveau produit Black & Decker et être informé des nouveaux produits et des offres spéciales. Pour plus d'informations concernant la marque Black & Decker et notre gamme de produits, consultez notre site [www.blackanddecker.fr](http://www.blackanddecker.fr)

## Uso previsto

Il soffiatore-aspiratore Black & Decker è stato concepito per la raccolta di foglie. L'elettrotrouensile è stato progettato solo per un uso individuale e all'esterno.

## Avvisi di sicurezza generici per gli elettrotrouensili



**Avvertenza!** Quando si usano elettrotrouensili alimentati elettricamente, con o senza filo, osservare sempre le normali precauzioni di sicurezza per ridurre il rischio di incendio, scosse elettriche, lesioni personali e danni materiali.

- Leggere attentamente il presente manuale prima di utilizzare l'elettrotrouensile; imparare bene i comandi e come usare in modo appropriato l'elettrotrouensile.
- L'uso previsto è descritto nel presente manuale. Se questo elettrotrouensile viene usato con accessori o per usi diversi da quelli raccomandati nel presente manuale d'uso, si potrebbero verificare lesioni personali.

Il termine "elettrotrouensile" che ricorre in tutte le avvertenze seguenti si riferisce a utensili elettrici con o senza filo.

## Conservare tutte le istruzioni e gli avvisi per futura consultazione.

## Utilizzo dell'elettrotrouensile

- **Prestare sempre attenzione quando si usa l'elettrotrouensile.**
- Mantenere pulita e ben illuminata la zona di lavoro. Disordine o scarsa illuminazione possono causare incidenti.
- Usare l'elettrotrouensile solo alla luce del giorno o con una buona luce artificiale.

- Evitare d'impiegare questo elettrotrouensile in ambienti esposti al rischio di esplosione, ad esempio in presenza di liquidi, gas o polveri infiammabili.
- Vietare l'uso dell'elettrotrouensile a bambini o ad adulti che non abbiano letto il presente manuale; i regolamenti locali in vigore potrebbero limitare l'età dell'operatore.
- Vietare a bambini o ad animali di avvicinarsi all'area di lavoro o di toccare l'elettrotrouensile o il filo di alimentazione.
- Mantenere lontani bambini e astanti mentre si usa l'elettrotrouensile. Eventuali distrazioni possono comportare la perdita del controllo dell'elettrotrouensile.
- Questo elettrotrouensile non deve essere usato come un giocattolo.
- Non immergere l'elettrotrouensile in acqua.
- Non aprire il corpo dell'elettrotrouensile, dato che al suo interno non vi sono componenti riparabili.

## Sicurezza delle persone

- È importante concentrarsi su ciò che si sta facendo e maneggiare con giudizio un elettrotrouensile. Non adoperare l'elettrotrouensile se si è stanchi o sotto l'effetto di stupefacenti, alcol o medicinali. Un attimo di distrazione durante l'impiego dell'elettrotrouensile può causare gravi infortuni personali.

- ◆ Se richiesto, utilizzare un equipaggiamento personale protettivo. Un equipaggiamento protettivo tipo occhiali, maschera antipolvere, calzature antiscivolo, casco o otoprotezioni, usato quando è pertinente, riduce il rischio di infortuni.
- ◆ Impedire l'avviamento involontario. Accertarsi che l'interruttore di accensione sia regolato su spento prima di collegare l'elettrotensile all'alimentazione elettrica e/o al battery pack, di prenderlo in mano o di trasportarlo. Per non esporsi al rischio di incidenti, non trasportare gli elettrotensili tenendo le dita sull'interruttore oppure, se sono collegati a un'alimentazione elettrica, con l'interruttore acceso.
- ◆ Non sbilanciarsi. Mantenere sempre un buon equilibrio evitando posizioni malsicure. In questo modo è possibile controllare meglio l'elettrotensile in situazioni inaspettate.
- ◆ Vestirsi adeguatamente. Evitare di indossare indumenti larghi o gioielli. Tenere capelli, capi di vestiario e guanti lontani da parti in movimento. Vestiti larghi, gioielli o capelli lunghi potranno impigliarsi nei componenti in movimento.

## Utilizzo e cura dell'elettrotensile

- ◆ Prima dell'impiego, controllare che l'elettrotensile non sia danneggiato e non presenti parti difettose. Controllare che non vi siano parti rotte, che gli interruttori non siano danneggiati e che non vi siano altre condizioni che potrebbero avere ripercussioni sulle prestazioni.
- ◆ Non usare l'elettrotensile se l'interruttore di accensione non funziona correttamente. Un elettrotensile che non può essere controllato mediante l'interruttore è pericoloso e deve essere riparato.
- ◆ Scollegare la spina dalla presa di corrente e/o il battery pack dall'elettrotensile prima di regolarlo o di riporlo oppure di sostituire gli accessori. Queste precauzioni riducono la possibilità che l'elettrotensile venga messo in funzione accidentalmente.
- ◆ Se pertinente, mantenere affilati e puliti gli strumenti da taglio. Se sottoposti alla giusta manutenzione, gli strumenti da taglio con taglienti affilati s'incastrano meno frequentemente e sono più facili da manovrare.
- ◆ Non usare l'elettrotensile se alcune parti sono danneggiate o difettose.
- ◆ Far riparare o sostituire le parti danneggiate o difettose da un tecnico autorizzato.
- ◆ Non tentare di smontare o sostituire qualsiasi parte ad eccezione di quelle specificate nel presente manuale.

## Sicurezza elettrica

- ◆ Le spine elettriche dell'elettrodomestico devono essere adatte alle prese. Evitare assolutamente di modificare la spina. Non usare adattatori con elettrodomestici provvisti di messa a terra. L'uso di spine inalterate e delle prese corrispondenti riduce il rischio di scosse elettriche.
- ◆ Custodire l'elettrodomestico al riparo dalla pioggia o dall'umidità. L'eventuale infiltrazione di acqua in un elettrodomestico aumenta il rischio di scosse elettriche.
- ◆ Non esporre il cavo a sollecitazioni. Non usare il cavo per trasportare o trainare l'elettrodomestico e non tirarlo per estrarre la spina dalla presa di corrente. Tenere il cavo al riparo dal calore, da bordi taglienti e/o da parti in movimento. I cavi danneggiati o aggrovigliati aumentano il rischio di scosse elettriche.
- ◆ Se l'elettrodomestico viene adoperato all'aperto, usare esclusivamente prolunghie omologate per l'impiego all'esterno. Un cavo adatto per uso esterno riduce il rischio di scosse elettriche.
- ◆ Se non è possibile evitare di lavorare con l'elettrodomestico in una zona umida, usare un'alimentazione elettrica protetta da un dispositivo a corrente residua (RCD). L'uso di un dispositivo RCD riduce il rischio di scosse elettriche.

## Dopo l'impiego

- ◆ Quando non viene usato, l'apparecchio deve essere conservato in un luogo asciutto e ben ventilato, fuori dalla portata dei bambini.
- ◆ Gli elettrodomestici non devono essere riposti alla portata dei bambini.
- ◆ Se viene conservato o trasportato in un veicolo, l'apparecchio deve essere messo nel bagagliaio o legato per evitare che si sposti in caso di cambiamento repentino della velocità o della direzione di marcia.

## Riparazioni

- ◆ Fare riparare l'elettrodomestico solo ed esclusivamente da personale specializzato e solo usando pezzi di ricambio originali. In questo modo si evita di alterare la sicurezza dell'elettrodomestico.

## Ulteriori precauzioni di sicurezza per i soffiatori-aspiratori

L'uso previsto è descritto nel presente manuale. L'uso di questo elettrodomestico con accessori o altre parti montate oppure per scopi diversi da quelli raccomandati nel presente manuale, potrebbe essere causa di lesioni personali e/o danni materiali.

- ◆ Per proteggere piedi e gambe durante l'impiego dell'elettrodomestico, indossare sempre calzature da lavoro robuste e calzoncini lunghi.
- ◆ Non usare nella modalità di aspirazione senza aver montato i tubi di aspirazione e il sacco di raccolta.

- ◆ Spegnerne sempre il prodotto, lasciare che la ventola smetta di girare e scollegare la spina dalla presa di corrente quando:
    - ◆ Si passa dalla modalità di soffiatura a quella di aspirazione.
    - ◆ Il cavo di alimentazione ha subito danni o è attorcigliato.
    - ◆ Si lascia il prodotto incustodito.
    - ◆ Si elimina un intasamento.
    - ◆ Si eseguono dei controlli, regolazioni, interventi di pulitura o manutenzione sul prodotto.
    - ◆ L'elettrodomestico comincia a vibrare in modo anomalo.
  - ◆ Non appoggiare l'aspirazione o lo scarico dell'aspiratore vicino a occhi o orecchie durante l'uso. Non soffiare mai detriti verso gli astanti.
  - ◆ Non usarlo e non lasciarlo esposto alla pioggia..
  - ◆ Non attraversare sentieri o strade coperti di ghiaia quando il prodotto è acceso nella modalità di soffiatura/ aspirazione. Camminare, non correre.
  - ◆ Non appoggiare l'elettrodomestico sulla ghiaia mentre è acceso.
  - ◆ Mantenere un buon equilibrio, in modo particolare sui pendii. Mantenersi sempre saldi sui piedi e bene equilibrati, evitando di sporgersi.
  - ◆ Non aspirare sostanze che possono essere state contaminate da liquidi infiammabili o combustibili, tipo benzina e non usare il prodotto in zone dove potrebbero essere presenti.
  - ◆ Non inserire oggetti nelle aperture nell'elettrodomestico. Non usarlo mai se le aperture sono bloccate – mantenerlo libero da capelli, lanugine, polvere e da qualsiasi cosa che possa limitare il passaggio dell'aria.
- Attenzione!** Usare sempre il prodotto come descritto nel presente manuale. Il prodotto è stato progettato per essere usato verticalmente e, se lo si utilizza in modo diverso, si possono causare lesioni. Non far mai funzionare il prodotto quando è appoggiato di fianco o è capovolto.
- ◆ L'operatore è responsabile di eventuali rischi o incidenti che coinvolgono terzi o le loro cose.
  - ◆ Non trasportare il prodotto dal cavo.
  - ◆ Mettere sempre il cavo verso il retro, lontano dall'elettrodomestico.
- Attenzione!** Se il filo di alimentazione subisce danni durante l'uso, scollegarlo immediatamente dall'alimentazione di rete. Non toccare il filo di alimentazione prima di scollegarlo dalla presa di corrente.
- ◆ Non usare solventi o detersivi per pulire il prodotto. Usare un raschietto non appuntito per eliminare erba e sporcizia.
  - ◆ Controllare di frequente il sacco di raccolta per vedere che non sia usurato o rovinato.
  - ◆ Le ventole di ricambio sono reperibili presso un rivenditore autorizzato Black & Decker. Usare solo ricambi e accessori raccomandati da Black & Decker.

- ◆ Mantenere sempre ben saldi dadi, bulloni e viti per essere certi che l'elettrotensile funzioni in modo sicuro.

## Sicurezza altrui

- ◆ Questo elettrotensile può essere usato da bambini dagli 8 anni in su e da persone portatrici di handicap fisici, psichici o sensoriali o che non abbiano la dovuta esperienza o conoscenza, sempre che siano seguite o opportunamente istruite sull'uso sicuro e comprendano i pericoli inerenti. I bambini non devono giocare con l'elettrodomestico. Gli interventi di pulizia e di manutenzione da parte dell'utente non devono essere eseguiti da bambini senza supervisione.
- ◆ Controllare che i bambini non giochino con l'elettrotensile.

## Sicurezza elettrica



Il doppio isolamento di cui è provvisto l'elettrotensile rende superfluo il filo di terra. Controllare sempre che l'alimentazione corrisponda alla tensione indicata sulla targhetta dei dati tecnici.

- ◆ In caso di danneggiamento del filo di alimentazione, è necessario farlo riparare dal fabbricante o presso un centro assistenza Black & Decker autorizzato in modo da evitare eventuali pericoli.

- ◆ La sicurezza elettrica può essere ulteriormente aumentata utilizzando un dispositivo a corrente residua (RCD) ad alta sensibilità (30 mA).

## Utilizzo di un cavo di prolunga

Usare sempre un cavo di prolunga di tipo omologato, idoneo all'assorbimento di corrente di questo elettrodomestico (vedere i dati tecnici). Il cavo di prolunga deve essere idoneo per impiego all'esterno e deve essere opportunamente contrassegnato. È possibile usare un cavo di prolunga lungo fino a 30 m con diametro di 1,5 mm<sup>2</sup> HO5V V-F senza perdita alcuna delle prestazioni del prodotto. Prima dell'impiego, ispezionare il cavo di prolunga per accertarsi che non presenti segni di danni, usura o invecchiamento. Sostituire il cavo di prolunga se è danneggiato o difettoso. Se si usa un mulinello, svolgere sempre completamente il cavo.

## Rischi residui.

Quando si usa l'elettrodomestico, possono esservi altri rischi residui che possono non essere stati contemplati negli avvisi di sicurezza allegati. Tali rischi possono sorgere a seguito di un uso prolungato o improprio, ecc.

Perfino adottando gli appositi regolamenti di sicurezza e utilizzando i dispositivi di sicurezza, certi rischi residui non possono essere evitati. Essi comprendono:

- ◆ Lesioni causate o subite a seguito del contatto con parti rotanti/in movimento.

- ◆ Lesioni causate o subite durante la sostituzione di parti, lame o accessori.
- ◆ Lesioni causate dall'impiego prolungato di un elettroutensile. Quando si usa qualsiasi elettroutensile per lunghi periodi, accertarsi di fare regolarmente delle pause.
- ◆ Problemi di udito.
- ◆ Rischi per la salute causati dall'inalazione della polvere generata durante l'impiego dell'elettroutensile (ad esempio quando si lavora con il legno, in modo particolare quello di quercia, di faggio e l'MDF.)

## Etichette sull'elettroutensile

Sull'elettroutensile appaiono i seguenti pittogrammi:



**Attenzione!** Leggere il manuale prima dell'utilizzo.



Indossare occhiali di sicurezza quando si usa l'elettroutensile.



Indossare otoprotezioni idonee quando si usa l'elettroutensile.



Non esporre l'elettroutensile alla pioggia o a un'umidità intensa e non lasciarlo all'aperto quando piove.



Per spegnerlo: scollegare la spina dalla presa di corrente prima di eseguire la pulizia o la manutenzione.



Fare attenzione agli oggetti lanciati in aria.



Mantenere distanti eventuali osservatori.



Pressione sonora garantita in base alla direttiva 2000/14/CE.

### Caratteristiche

1. Comando velocità variabile
2. Fermacavo
3. Sacco di raccolta
4. Tubo di soffiatura superiore
5. Tubo di soffiatura inferiore
6. Tubo di aspirazione superiore
7. Tubo di aspirazione centrale
8. Tubo di aspirazione inferiore
9. Pulsante di rilascio aspiratore
10. Pulsante di rilascio sacco
11. Blocco motore
12. Seconda impugnatura

### Montaggio



**Attenzione!** Prima di montarlo assicuratevi che l'elettrodomestico sia spento e disinserito dalla presa di corrente.



**Attenzione!** Indossare sempre guanti protettivi quando si lavora sul soffiatore-aspiratore.

### Montaggio del tubo di aspirazione (fig. A)

I tubi di aspirazione devono essere uniti prima dell'uso.

**Attenzione!** Non far funzionare l'elettroutensile con i tubi di aspirazione separati.

- ◆ Per facilitare l'assemblaggio, inumidire con acqua insaponata la zona di unione.
- ◆ Allineare le tacche (13) e i triangoli (14) sui tubi di aspirazione superiore (6) e centrale (7).
- ◆ Premere fermamente il tubo di aspirazione superiore (6) su quello centrale (7) fino a quando i triangoli si agganciano in sede.
- ◆ Allineare le tacche (13) e i triangoli (14) sui tubi di aspirazione centrale (7) e inferiore (8).



- ◆ Premere fermamente il tubo di aspirazione centrale (7) su quello inferiore (8) fino a quando i triangoli si agganciano in sede.

**Attenzione!** Non dividere i tubi dopo averli assemblati.

### Montaggio di una seconda impugnatura (fig. B) (solo GW3050)

- ◆ Premere e tenere premuti entrambi i pulsanti (15) sul lato dell'impugnatura.
- ◆ Far scorrere in sede la seconda impugnatura (12) sopra i pulsanti (15).

**Nota:** Verificare che il pulsante arancione si trovi dal medesimo lato del foro grande nell'impugnatura.

**Attenzione!** Accertarsi che i denti sul pulsante siano allineati correttamente nelle fessure dell'impugnatura e che l'impugnatura sia ben salda.

### Regolazione della posizione della seconda impugnatura (fig. C) (solo GW3050)

La seconda impugnatura (12) può essere regolata per fornire l'equilibrio ottimale e il massimo comfort.

- ◆ Premere il pulsante (15) sul lato sinistro dell'impugnatura.
- ◆ Ruotare la seconda impugnatura (12) nella posizione desiderata.
- ◆ Rilasciare il pulsante (15).

**Attenzione!** Accertarsi che i denti sul pulsante siano allineati correttamente nelle fessure dell'impugnatura e che l'impugnatura sia ben salda.

### Assemblaggio del tubo di soffiatura (fig. D)

- ◆ Allineare i 2 indici (16) alla base del tubo di soffiatura superiore (4) e i 2 (17) alla base del tubo di soffiatura inferiore (5).
- ◆ Premere fermamente il tubo di soffiatura superiore (4) in quello inferiore (5) fino a quando si agganciano in sede.

**Attenzione!** Non dividere i tubi dopo averli assemblati.

### Montaggio e rimozione del riduttore (fig. D)

- ◆ Infilare saldamente il riduttore (30) sulla base del tubo di soffiatura inferiore (5). Fissare il riduttore agganciando la linguetta (31) nel fermaglio (32)
- ◆ Per rimuoverlo, sollevare il fermaglio (32) e sfilare il riduttore (8) dalla base del tubo di soffiatura inferiore (5).

### Montaggio e rimozione del rastrello (fig. E) (solo GW3050 & GW2838)

- ◆ Posizionare il rastrello (18) sopra l'attacco (19) sulla base del tubo di soffiatura inferiore (5).
- ◆ Premere e infilare fermamente il rastrello (18) sull'attacco (19) fino a quando scatta in sede.
- ◆ Per rimuoverlo, sollevare il gancio (20) e sfilare il rastrello (18) dall'attacco (19).

## Utilizzo

### Accensione e spegnimento (fig. F)

**Attenzione!** Afferrare saldamente il prodotto quando lo si accende.

- ◆ Per accendere l'elettrotensile, regolare la manopola comando velocità variabile (1) in senso orario sulla velocità richiesta.
- ◆ Per spegnere l'elettrotensile, regolare la manopola comando velocità variabile (1) in senso antiorario su spento.

### Fermacavo (fig. G)

Sul retro del blocco motore è stato incorporato un fermacavo (2).

- ◆ Far passare il cavo (21) nel fermacavo (2).

### Utilizzo del prodotto

**Attenzione!** Indossare sempre gli occhiali quando lo si usa come soffiatore o aspiratore. In caso di impiego in ambienti polverosi, indossare anche una maschera.

**Avvertenza!** Spegnerlo il prodotto, lasciare che la ventola si fermi e scollegare la spina dalla presa di corrente prima di eseguire regolazioni o interventi di manutenzione o riparazione.

### Modalità di soffiatura (figg. H e I)

- ◆ Montare il coperchio della ventola (22) sul blocco motore (11) centrando il gruppo come indicato dalla freccia, ruotare quindi in questo punto e premere il pulsante di rilascio dell'aspiratore (9) fino a quando il gancio (23) si aggancia completamente. (fig. H)
- ◆ Allineare il tubo di soffiatura assemblato al blocco motore (11).
- ◆ Calzare il tubo di soffiatura assemblato sullo scarico dell'aspiratore (25) fino a quando la chiusura si innesta saldamente nel tubo di soffiatura.

**Attenzione!** Non far mai funzionare nella modalità di soffiatura senza il tubo di soffiatura e il coperchio della ventola montati saldamente.

- ◆ Tenere il tubo di soffiatura a 180 mm circa dal terreno, accendere l'elettrotensile e, con un movimento ampio da un lato all'altro, procedere lentamente tenendo i detriti/fogliame raccolti di fronte a sé (fig. I).
- ◆ Dopo aver soffiato i detriti/fogliame in un mucchio è possibile passare alla modalità di aspirazione per aspirarli.

### Distacco del tubo di soffiatura e del coperchio della ventola

- ◆ Per scollegare il tubo di soffiatura premere il pulsante di rilascio del sacco (10) e staccare il tubo, accertandosi che non cada a terra.
- ◆ Per staccare il coperchio della ventola (22), premere il pulsante di rilascio dell'aspiratore (9) e tirare il coperchio della ventola (22), accertandosi che non cada a terra.

## Modalità di aspirazione (figg. H, J e K)

**Nota:** Il sacco deve essere montato quando si desidera eseguire l'aspirazione/triturazione (3).

- ◆ Togliere il coperchio della ventola (22) premendo il pulsante di rilascio dell'aspiratore (9) e tirando il coperchio della ventola (22), accertandosi che non cada a terra.
- ◆ Attaccare il sacco di raccolta (3) allo scarico dell'aspiratore (25) premendolo saldamente fino a quando si aggancia in sede.
- ◆ Collegare il tubo di aspirazione assemblato al blocco motore (11) posizionando il gruppo come indicato dalla freccia, ruotare quindi in questo punto e premere il pulsante di rilascio dell'aspiratore fino a quando il gancio si aggancia completamente.
- ◆ Mettere la tracolla del sacco di raccolta sopra la spalla (fig. K) per meglio sostenere il peso supplementare del sacco di raccolta che si riempie. Oppure agganciare il sacco di raccolta alla staffa di supporto (28 - fig. A) sul tubo di aspirazione superiore (4) e la tracolla può essere montata sul gancio (29) sul blocco motore (11).
- ◆ Posizionare il tubo dell'aspiratore appena sopra i detriti/fogliame. Accendere l'elettrodomestico e procedere con un movimento largo; i detriti/fogliame verranno aspirati dal tubo, tritati e inviati nel sacco di raccolta (fig. K).
- ◆ Come il sacco di raccolta si riempie, la potenza aspirante diminuisce. Spegnerne l'elettrodomestico e scollegarlo dall'alimentazione di rete.
- ◆ Staccare il sacco di raccolta per svuotarlo dal contenuto prima di continuare a usarlo.

**Attenzione!** Non togliere mai il sacco di raccolta senza aver prima spento l'elettrodomestico e senza aver scollegato la spina.

**Nota:** Se la forza aspirante diminuisce e il sacco di raccolta non è pieno, è possibile che il tubo di aspirazione sia intasato da detriti. Spegnerne l'aspiratore, scollegare la spina ed eliminare l'intasamento dal tubo prima di continuare.

## Ricerca guasti

Problema	Eventuale soluzione
Mancato funzionamento	Controllare il collegamento all'alimentazione elettrica.
	Controllare il fusibile nella spina; se è bruciato, sostituirlo (solo UK).
	Controllare che il tubo di soffiatura/aspirazione sia montato correttamente sul blocco motore
	Se il fusibile continua a bruciarsi, scollegare immediatamente il prodotto dall'alimentazione di rete e consultare il tecnico autorizzato Black & Decker di zona.

Problema	Eventuale soluzione
Aspirazione scadente/ suono acuto	Spegnerne e scollegare dall'alimentazione di rete, i detriti dovrebbero cadere fuori dal tubo.
	Staccare e svuotare il sacco di raccolta.
	Controllare che sia i fori di aspirazione sia di scarico del tubo di aspirazione siano liberi.
	Eliminare ogni detrito dalla zona della ventola.
Triturazione scadente	Se si continua ad avere un'aspirazione scadente, scollegare immediatamente il prodotto dall'alimentazione di rete e consultare il tecnico autorizzato Black & Decker di zona.
	Spegnerne, scollegare dall'alimentazione di rete e staccare il sacco di raccolta.
	Scollegare il tubo di aspirazione e ispezionare la ventola.
	Eliminare eventuali detriti dalle pale della ventola.
	Se la ventola è incrinata o danneggiata, non usarla e consultare il tecnico autorizzato Black & Decker di zona.

## Manutenzione

Questo elettrodomestico Black & Decker è stato progettato per funzionare a lungo con una manutenzione minima. Per ottenere prestazioni sempre soddisfacenti occorre avere cura dell'elettrodomestico e sottoporlo a manutenzione periodica.

- ◆ Mantenere pulito e asciutto l'utensile.
- ◆ Eliminare le foglie bloccate all'interno del tubo di aspirazione.
- ◆ Pulire regolarmente le feritoie di ventilazione con un pennello pulito e asciutto.
- ◆ Pulire regolarmente il sacco di raccolta della polvere e controllare che sia pulito e vuoto dopo ciascun impiego.
- ◆ Per pulire l'elettrodomestico, usare solo sapone neutro e un panno umido. Evitare la penetrazione di liquidi all'interno dell'elettrodomestico e non immergere mai nessuna parte dello stesso in un liquido. Non usare materiali abrasivi o detersivi a base di solventi.
- ◆ In questo prodotto sono stati usati dei cuscinetti autolubrificanti che non richiedono lubrificazione.

## Sostituzione della spina (solo Regno Unito e Irlanda)

Se è necessario montare una nuova spina,

- ◆ smaltire in tutta sicurezza quella vecchia.
- ◆ Collegare il filo marrone al morsetto sotto tensione della nuova spina.
- ◆ Collegare il filo blu al morsetto neutro.

**Avvertenza!** Non effettuare nessun collegamento sul morsetto di terra. Seguire le istruzioni fornite con le spine di buona qualità. Fusibile consigliato: 13 A.

## Protezione dell'ambiente



Raccolta differenziata. Questo prodotto non deve essere smaltito con i normali rifiuti domestici.

Nel caso in cui l'elettrotensile Black & Decker debba essere sostituito o non sia più necessario, non smaltirlo con i normali rifiuti domestici. Metterlo da parte per la raccolta differenziata.



La raccolta differenziata dei prodotti e degli imballaggi utilizzati consente il riciclaggio dei materiali e il loro continuo utilizzo. Il riutilizzo dei materiali riciclati favorisce la protezione dell'ambiente prevenendo l'inquinamento e riduce il fabbisogno di materie prime.

Seguire la regolamentazione locale per la raccolta differenziata dei prodotti elettrici che può prevedere punti di raccolta o la consegna dell'elettrotensile al rivenditore presso il quale viene acquistato un nuovo prodotto.

Black & Decker offre ai propri clienti la possibilità di riciclare i prodotti Black & Decker che hanno esaurito la loro vita di servizio. Per usufruire di tale servizio, è sufficiente restituire il prodotto a qualsiasi tecnico autorizzato, incaricato della raccolta per conto dell'azienda.

Per individuare il tecnico autorizzato più vicino, rivolgersi alla sede Black & Decker locale, presso il recapito indicato nel presente manuale. Altrimenti, un elenco completo di tutti i tecnici autorizzati Black & Decker e i dettagli completi sui contatti e i servizi post-vendita sono disponibili su Internet all'indirizzo: [www.2helpU.com](http://www.2helpU.com)

## Dati tecnici

		GW2810 GW2838 (Tipo 1)	GW3030 (Tipo 1)	GW3050 (Tipo 1)
Tensione in ingresso	$V_{AC}$	230	230	230
Potenza assorbita	W	2800	3000	3000
Capacità	l	50	50	50
Peso (soffiatore)	mm	3.45	3.7	3.7
Peso (aspiratore)	mm	4.85	4.85	4.85

Valori totali vibrazioni (somma vettoriale triassiale) in base a EN 60745:

Vibrazione ( $a_{hv}$ ) 9,8  $m/s^2$ , incertezza (K) 1,5  $m/s^2$

**Dichiarazione di conformità CE**

DIRETTIVA SUI MACCHINARI  
DIRETTIVA SULLA RUMOROSITÀ ESTERNA



GW2810 GW2838, GW3030, GW3050

Black & Decker dichiara che questi prodotti descritti al paragrafo "Dati tecnici" sono conformi a:

2006/42/CE, EN 60335

2000/14/CE, soffiatore aspiratore, Allegato V  
KEMA Quality B.V., Utrechtseweg 310, 6802 ED Arnhem,  
Paesi Bassi

ID ente notificato n.: 0344

Livello di potenza acustica misurato in base a 2000/14/CE  
(Articolo 13, Allegato III):

$L_{WA}$  (pressione sonora misurata) 104 dB(A)

Incertezza = 3 dB(A)

$L_{WA}$  (pressione sonora garantita) 107 dB(A)

Incertezza = 3 dB(A)

Questi prodotti sono conformi alla direttiva  
2004/108/CE e 2011/65/UE.

Per ulteriori informazioni, contattare Black & Decker al seguente indirizzo oppure consultare l'ultima di copertina del manuale.

Il sottoscritto è responsabile della redazione di questo documento tecnico e rilascia questa dichiarazione per conto di Black & Decker.

Kevin Hewitt  
Vice-President Global Engineering  
Black & Decker Europe, 210 Bath Road, Slough,  
Berkshire, SL1 3YD  
Regno Unito  
10/04/2013

**Garanzia**

Certa della qualità dei suoi prodotti, Black & Decker offre una garanzia eccezionale. Il presente certificato di garanzia è complementare ai diritti legali e non li pregiudica in alcun modo. La garanzia è valida entro il territorio degli Stati membri dell'Unione Europea e dell'EFTA (European Free Trade Area).

Se un prodotto Black & Decker risulta difettoso per qualità del materiale, della costruzione o per mancata conformità entro 24 mesi dalla data di acquisto, Black & Decker garantisce la sostituzione delle parti difettose, provvede alla riparazione dei prodotti se ragionevolmente usurati oppure alla loro sostituzione, in modo da ridurre al minimo il disagio del cliente a meno che:

- ◆ il prodotto non sia stato destinato a usi commerciali, professionali o al noleggio;
- ◆ il prodotto non sia stato usato in modo improprio o scorretto;
- ◆ il prodotto non abbia subito danni causati da oggetti o sostanze estranee oppure incidenti;
- ◆ il prodotto non abbia subito tentativi di riparazione non effettuati da tecnici autorizzati né dall'assistenza Black & Decker.

Per attivare la garanzia è necessario esibire la prova di acquisto al venditore o al tecnico autorizzato. Per individuare il tecnico autorizzato più vicino, rivolgersi alla sede Black & Decker locale, presso il recapito indicato nel presente manuale. Altrimenti, un elenco completo di tutti i tecnici autorizzati Black & Decker e i dettagli completi sui contatti e i servizi post-vendita sono disponibili su Internet all'indirizzo: [www.2helpU.com](http://www.2helpU.com)

I clienti che desiderano registrare il nuovo prodotto Black & Decker e ricevere gli aggiornamenti sui nuovi prodotti e le offerte speciali, sono invitati a visitare il sito Web [www.black-anddecker.it](http://www.black-anddecker.it). Ulteriori informazioni sul marchio e la gamma di prodotti Black & Decker sono disponibili all'indirizzo [www.blackanddecker.it](http://www.blackanddecker.it).

## Beoogd gebruik

Uw bladblazer-zuiger van Black & Decker is ontworpen voor het verwijderen van bladeren. Dit apparaat is uitsluitend bestemd voor gebruik buitenshuis door consumenten.

## Algemene veiligheids waarschuwingen voor apparaten



**Waarschuwing!** Bij apparaten voor gebruik op de netspanning/snoerloze apparaten moeten bepaalde elementaire voorzorgsmaatregelen, waaronder de navolgende, in acht worden genomen om het gevaar van brand, elektrische schokken, persoonlijk letsel en materiële schade tot een minimum te beperken.

- ◆ Lees deze handleiding zorgvuldig door voordat u het apparaat in gebruik neemt. Zorg ervoor dat u vertrouwd bent met de knoppen en met het juiste gebruik van de machine.
- ◆ In deze handleiding wordt ingegaan op het beoogde gebruik. Het gebruik van andere accessoires of hulpstukken dan wel de uitvoering van andere handelingen dan in deze gebruikershandleiding worden aanbevolen, kan tot persoonlijk letsel leiden.

Het in de onderstaande waarschuwingen gebruikte begrip 'apparaat' heeft betrekking op apparaten voor gebruik op de netspanning (met netsnoer) of met een accu (snoerloos).

## Bewaar alle waarschuwingen en instructies als referentiemateriaal.

## Gebruik van het apparaat

- ◆ Ga bij gebruik van het apparaat altijd voorzichtig te werk.

- ◆ Houd uw werkomgeving schoon en goed verlicht. Een rommelige of onverlichte werkruimte kan tot ongevallen leiden.
- ◆ Gebruik het apparaat alleen bij daglicht of goed kunstlicht.
- ◆ Gebruik het apparaat niet in een omgeving met explosiegevaar, zoals in de nabijheid van brandbare vloeistoffen, gassen of stof.
- ◆ Laat het apparaat nooit gebruiken door kinderen of door personen die onbekend zijn met de instructies voor het apparaat. Plaatselijke voorschriften kunnen eisen aan de leeftijd van de gebruiker stellen.
- ◆ Laat kinderen of dieren niet in de buurt van de werkomgeving komen, en evenmin het apparaat of netsnoer aanraken.
- ◆ Houd kinderen, omstanders en dieren op afstand tijdens het gebruik van een apparaat. Wanneer u wordt afgeleid, kunt u de controle over het apparaat verliezen.
- ◆ Het apparaat mag niet als speelgoed worden gebruikt.
- ◆ Dompel het apparaat niet onder in water.
- ◆ Open de behuizing niet. Het apparaat bevat geen onderdelen die door de gebruiker kunnen worden gerepareerd.

## Veiligheid van personen

- ◆ Wees alert, let goed op wat u doet en gebruik uw gezond verstand bij het gebruik van een apparaat. Gebruik een apparaat niet wanneer u moe bent of onder invloed van drugs, alcohol of medicijnen verkeert. Een moment van onoplettendheid bij het gebruik van een apparaat kan leiden tot ernstige verwondingen.
- ◆ Draag, waar nodig, persoonlijke beschermende uitrusting. Het dragen van een persoonlijke beschermende uitrusting zoals een veiligheidsbril, een stofmasker, slipvaste werkschoenen, een veiligheidshelm of gehoorbescherming, afhankelijk van de aard en het gebruik van het apparaat, vermindert het risico van verwondingen.
- ◆ Voorkom per ongeluk inschakelen. Controleer of de schakelaar in de uitstand staat voordat u het gereedschap aansluit op het stopcontact en/of de accu en voordat u het apparaat optilt of gaat dragen. Wanneer u bij het dragen van het apparaat uw vinger op de schakelaar houdt of wanneer u het apparaat per ongeluk inschakelt, kan dat tot ongevallen leiden.
- ◆ Reik niet te ver. Zorg er altijd voor dat u stevig staat en in evenwicht blijft. Daardoor kunt u het apparaat beter onder controle houden in onverwachte situaties.

- ◆ Draag geschikte kleding. Draag geen loshangende kleding of sieraden. Houd haren, kleding en handschoenen uit de buurt van bewegende delen. Loshangende kleding, sieraden en lange haren kunnen door bewegende delen worden meegenomen.

## Gebruik en onderhoud van het apparaat

- ◆ Controleer het apparaat vóór gebruik op beschadigingen en defecten. Controleer het vooral op gebroken onderdelen, schade aan de schakelaars en andere omstandigheden die de werking ervan kunnen beïnvloeden.
- ◆ Gebruik het apparaat niet als de schakelaar defect is. Een apparaat dat niet meer kan worden in- of uitgeschakeld, is gevaarlijk en moet worden gerepareerd.
- ◆ Trek de stekker uit het stopcontact en/of haal de accu uit het apparaat voordat u het apparaat instelt, toebehoren wisselt of het apparaat opbergt. Deze voorzorgsmaatregelen helpen onbedoeld starten van het apparaat te voorkomen.
- ◆ Houd snijdende inzetgereedschappen, waar van toepassing, scherp en schoon. Zorgvuldig onderhouden snijdende inzetgereedschappen met scherpe snijkanten klemmen minder snel vast en zijn gemakkelijker te geleiden.
- ◆ Gebruik het apparaat niet in geval van een of meer beschadigde of defecte onderdelen.

- ♦ Laat beschadigde of defecte onderdelen door een van onze servicecentra repareren of vervangen.
- ♦ Probeer nooit andere onderdelen te verwijderen of vervangen dan in deze handleiding zijn vermeld.
- ♦ Als u een apparaat moet gebruiken op een vochtige locatie, moet u een aardlekschakelaar (RCD) gebruiken. Met een aardlekschakelaar wordt het risico van een elektrische schok verkleind.

## Elektrische veiligheid

- ♦ De stekker van het apparaat moet in het stopcontact passen. De stekker mag in geen geval worden omgebouwd. Gebruik geen adapterstekkers in combinatie met geaarde apparaten. Niet-omgebouwde stekkers en passende stopcontacten beperken het risico van een elektrische schok.
- ♦ Houd het apparaat uit de buurt van regen en vocht. Het binnendringen van water in een apparaat vergroot het risico van een elektrische schok.
- ♦ Gebruik het snoer niet voor een verkeerd doel. Gebruik het snoer niet om het apparaat te dragen of op te hangen of om de stekker uit het stopcontact te trekken. Houd het snoer uit de buurt van hitte, olie, scherpe randen of bewegende delen. Beschadigde of in de war geraakte snoeren vergroten het risico van een elektrische schok.
- ♦ Wanneer u buitenshuis met een apparaat werkt, dient u alleen verlengsnoeren te gebruiken die zijn goedgekeurd voor gebruik buitenshuis. Het gebruik van een verlengsnoer dat geschikt is voor gebruik buitenshuis, beperkt het risico van een elektrische schok.

## Na gebruik

- ♦ Bewaar het apparaat na gebruik op een droge, goed geventileerde plaats, buiten het bereik van kinderen.
- ♦ Zorg dat het bewaarde apparaat niet toegankelijk is voor kinderen.
- ♦ Wanneer het apparaat in de auto ligt, moet u het apparaat in de kofferruimte plaatsen of goed vastzetten, zodat het apparaat niet kan wegschieten bij plotselinge veranderingen in snelheid of richting.

## Onderhoud

- ♦ Laat het apparaat alleen repareren door gekwalificeerd en vakkundig personeel en alleen met originele vervangingsonderdelen. Daarmee wordt de veiligheid van het apparaat gewaarborgd.

## Extra veiligheidsinstructies voor blazer-zuigers

In deze handleiding wordt ingegaan op het beoogde gebruik. Het gebruik van andere accessoires of hulpstukken dan wel de uitvoering van andere handelingen met dit apparaat dan in deze gebruikershandleiding worden aanbevolen, kan tot persoonlijk letsel en/of schade aan eigendom leiden.

- ◆ Bescherm uw benen en voeten tijdens het werken met het apparaat door stevige schoenen en een lange broek aan te doen.
  - ◆ Gebruik het apparaat niet in de zuigstand zonder dat de zuigerelementen en de opvangzak zijn bevestigd.
  - ◆ Schakel het apparaat altijd uit, laat de waaier tot stilstand komen en verwijder het snoer van de netspanning wanneer:
    - ◆ Het apparaat wordt omgezet van blazer naar zuiger.
    - ◆ Het netsnoer is beschadigd of verstrikt.
    - ◆ U het apparaat achterlaat.
    - ◆ Een verstopping wordt opgelost.
    - ◆ U het apparaat controleert, instelt, reinigt of onderhoudt.
    - ◆ Indien het apparaat op abnormale wijze begint te trillen.
  - ◆ De inlaat en uitlaat van de zuiger mogen niet in de buurt van de ogen of oren komen tijdens de bediening. Afval mag nooit in de richting van omstanders worden geblazen.
  - ◆ Gebruik het apparaat niet in de regen en laat het niet buiten liggen wanneer het regent.
  - ◆ Betreed geen grintpaden of wegen wanneer het apparaat is ingeschakeld tijdens het blazen/zuigen. Er mag niet met het apparaat worden gerend.
  - ◆ Leg het apparaat niet op grint neer terwijl het is ingeschakeld.
  - ◆ Zorg altijd dat u stevig staat, met name op hellingen. Zorg altijd voor een juiste, stabiele houding en reik niet te ver.
  - ◆ Zuig geen materiaal op dat kan zijn aangetast met brandbare of ontvlambare vloeistoffen zoals benzine, en gebruik het ook niet op plaatsen waar dergelijke vloeistoffen aanwezig kunnen zijn.
  - ◆ Plaats geen voorwerpen in de openingen van het apparaat. Gebruik het apparaat nooit wanneer de openingen verstopt zijn – zorg dat er geen haren, stof en andere zaken in terecht komen die de luchtstroom kunnen belemmeren.
- Waarschuwing!** Zorg er altijd voor dat dit apparaat volgens deze handleiding wordt gebruikt. Het apparaat is ontworpen voor gebruik rechtop, en indien het op andere wijze wordt gebruikt, kan dat leiden tot letsel. Laat het apparaat nooit draaien wanneer het op de zijkant ligt of ondersteboven.
- ◆ De gebruiker van het apparaat is verantwoordelijk voor ongelukken die gebeuren of voor gevaren waaraan andere mensen of hun eigendommen worden blootgesteld.
  - ◆ Draag het apparaat niet bij het snoer.
  - ◆ Houd het snoer altijd naar achteren gericht en van het apparaat verwijderd.



**Waarschuwing!** Als het netsnoer tijdens het gebruik wordt beschadigd, moet u onmiddellijk de stekker uit het stopcontact halen. Raak het netsnoer in dat geval pas aan wanneer de stekker uit het stopcontact is.

- Gebruik geen oplosmiddelen of reinigingsvloeistoffen om het apparaat te reinigen. Gebruik een botte krabber om gras en vuil van het apparaat te verwijderen.
- Controleer de opvangzak regelmatig op slijtage of beschadiging.
- Vervangende waaiers zijn verkrijgbaar bij een Black & Decker-servicecentrum. Gebruik uitsluitend door Black & Decker aanbevolen reserveonderdelen en accessoires.
- Zorg ervoor dat alle moeren, bouten en schroeven van het apparaat machine goed zijn aangedraaid zodat u veilig kunt werken.

## Veiligheid van anderen

- Dit apparaat mag worden gebruikt door kinderen van 8 jaar en ouder en personen die lichamelijk of geestelijk minder valide zijn of die geen ervaring met of kennis van dit apparaat hebben, mits deze onder toezicht staan of instructies krijgen voor veilig manier gebruik van het apparaat en inzicht hebben in de mogelijke gevaren. Kinderen mogen niet met het apparaat spelen. Laat kinderen nooit zonder toezicht het apparaat schoonmaken of onderhouden.

- Houd toezicht op kinderen om ervoor te zorgen dat zij niet met het apparaat gaan spelen.

## Elektrische veiligheid



Dit apparaat is dubbel geïsoleerd; een aardaansluiting is daarom niet noodzakelijk. Controleer altijd of de netspanning overeenkomt met de waarde op het typeplaatje.

- Als het netsnoer is beschadigd, moet dit worden vervangen door de fabrikant of een Black & Decker-servicecentrum om gevaren te voorkomen.
- Met een zeer gevoelige reststroomschakelaar (een RCD van 30 mA) wordt het risico van een elektrische schok verkleind.

## Een verlengsnoer gebruiken

Gebruik altijd een goedgekeurd verlengsnoer dat geschikt is voor het ingangsvermogen van dit apparaat (zie de technische gegevens). Het verlengsnoer moet geschikt zijn voor gebruik buitenshuis en dient als zodanig te zijn gemarkeerd. Er kan een HO5V V-F verlengsnoer van 1,5 mm<sup>2</sup> van maximaal 30 m lang worden gebruikt zonder dat de prestaties van het apparaat afnemen. Controleer het verlengsnoer vóór gebruik op tekenen van beschadiging, slijtage of veroudering. Vervang het verlengsnoer indien het beschadigd of defect is. Als u een haspel gebruikt, rolt u het snoer altijd helemaal af.

## Overige risico's

Er kunnen zich tijdens het gebruik van het gereedschap ook andere risico's voordoen, die misschien niet in de bijgevoegde veiligheids-waarschuwingen worden vermeld. Deze risico's kunnen zich voordoen als gevolg van onoordeelkundig gebruik, langdurig gebruik, enz. Zelfs als de veiligheidsvoorschriften in acht worden genomen en de veiligheidsvoorzieningen worden geïmplementeerd, kunnen bepaalde risico's niet worden vermeden. Deze omvatten:

- ♦ Verwondingen die worden veroorzaakt door het aanraken van draaiende of bewegende onderdelen.
- ♦ Verwondingen die worden veroorzaakt bij het vervangen van onderdelen, bladen of accessoires.
- ♦ Verwondingen die worden veroorzaakt door langdurig gebruik van het gereedschap. Als u langere periodes met het gereedschap werkt, is het raadzaam om regelmatig een pauze in te lassen.
- ♦ Gehoorbeschadiging.
- ♦ Gezondheidsrisico's als gevolg van het inademen van stof dat door gebruik van het apparaat wordt veroorzaakt (bijvoorbeeld tijdens het werken met hout, vooral eiken, beuken en MDF.)

## Labels op het apparaat

Op het apparaat worden de volgende pictogrammen weergegeven:



**Waarschuwing!** Lees de handleiding voordat u met het apparaat gaat werken.



Draag een veiligheidsbril of een stofbril als u dit apparaat gebruikt.



Maak gebruik van goede gehoorbescherming wanneer u dit apparaat gebruikt.



Gebruik het apparaat niet in de regen of bij een hoge luchtvochtigheid en laat het niet buiten liggen wanneer het regent.



Uitschakelen: haal de stekker uit het stopcontact voordat het apparaat wordt gereinigd of onderhoudswerkzaamheden worden uitgevoerd.



Wees bedacht op rondvliegende voorwerpen.



Houd omstanders uit de buurt.



Richtlijn 2000/14/EG gegarandeerd geluidsvermogen.

## Onderdelen

1. Snelheidsregeling
2. Snoerhouder
3. Opvangzak
4. Bovenste blazerbuis
5. Onderste blazerbuis
6. Bovenste zuigerbuis
7. Middelste zuigerbuis
8. Onderste zuigerbuis
9. Ontgrendelingsknop zuiger
10. Ontgrendelingsknop zak
11. Motorbehuizing
12. Tweede greep

## Monteren



**Waarschuwing!** Zorg vóór aanvang van de montage dat de machine is uitgeschakeld en de stekker van het apparaat niet in een stopcontact of stekkerdoos zit.



**Waarschuwing!** Draag altijd beschermende handschoenen wanneer u met de blazer-zuiger werkt.

### Montage zuigerbuis (fig. A)

De zuigerbuizen dienen voorafgaand aan gebruik aan elkaar gezet te worden.

**Waarschuwing!** Het apparaat mag niet worden gebruikt zonder dat alle zuigerbuizen zijn bevestigd.

- ◆ Gebruik wat zeepwater op de verbindingdelen om de bevestiging te vergemakkelijken.
- ◆ Lijn de sponningen (13) en de driehoeken (14) op met de bovenste (6) en middelste (7) zuigerbuizen.
- ◆ Druk de bovenste zuigerbuis (6) stevig op de middelste zuigerbuis (7) totdat de driehoek op zijn plaats vastklikt.
- ◆ Lijn de sponningen (13) en de driehoeken (14) op met de middelste (7) en onderste (8) zuigerbuizen.
- ◆ Druk de middelste zuigerbuis (7) stevig op de onderste zuigerbuis (8) totdat de driehoek op zijn plaats vastklikt.

**Waarschuwing!** Haal de buizen niet van elkaar wanneer ze zijn bevestigd.

### De tweede greep bevestigen (fig. B) (alleen GW3050)

- ◆ Druk op beide knoppen (15) aan de zijkant van de greep en houd de knoppen ingedrukt.
- ◆ Schuif de tweede greep (12) op zijn plaats boven de knoppen (15).

**Opmerking:** Zorg dat de oranje knop aan dezelfde kant zit als de grote opening op de greep.

**Waarschuwing!** Zorg dat de tanden op de knop juist zijn uitgelijnd met de sleuven in de greep en dat de greep goed vast zit.

### De stand van de tweede greep aanpassen (fig. C) (alleen GW3050)

De tweede greep (12) kan worden aangepast voor de beste balans en gebruiksgemak.

- ◆ Druk op de knop (15) aan de linkerkant van de greep.
- ◆ Draai de tweede greep (12) in de vereiste stand.
- ◆ Laat de knop (15) los.

**Waarschuwing!** Zorg dat de tanden op de knop juist zijn uitgelijnd met de sleuven in de greep en dat de greep goed vast zit.

### Bevestiging van de blazerbuis (fig. D)

- ◆ Lijn de twee markeringen (16) op de onderzijde van de bovenste blazerbuis (4) en de twee markeringen (17) op de onderzijde van de onderste blazerbuis (5) uit.
- ◆ Druk de bovenste blazerbuis (4) stevig in de onderste blazerbuis (5) totdat deze vastklikken.

**Waarschuwing!** Haal de buizen niet van elkaar wanneer ze zijn bevestigd.

### De concentrator plaatsen en verwijderen (fig. D)

- ◆ Schuif de concentrator (30) stevig op de onderzijde van de onderste blazerbuis (5). Bevestig de concentrator door het lipje (31) op de clip (32) te klikken.
- ◆ Trek de clip (32) omhoog en schuif de concentrator (8) van de onderzijde van de onderste blaasbuis (5) om deze te verwijderen.

### De hark plaatsen en verwijderen (fig. E) (alleen GW3050 & GW2838)

- ◆ Plaats de hark (18) boven de bevestiging (19) op de onderzijde van de onderste blazerbuis (5).
- ◆ Druk naar beneden en schuif de hark (18) stevig op de bevestiging (19) totdat deze vastklikt.
- ◆ Trek de ontgrendeling (20) van de hark omhoog en schuif de hark (18) van de bevestiging (19).

## Gebruik

### In- en uitschakelen (fig. F)

**Waarschuwing!** Pak het apparaat stevig vast wanneer u het inschakelt.

- ◆ Als u het apparaat wilt inschakelen, draait u de snelheidsregelaar (1) rechtsom naar de vereiste snelheid.
- ◆ Als u het apparaat wilt uitschakelen, draait u de snelheidsregelaar (1) linksom naar de stand uit.

### Kabelhouder (fig. G)

Er bevindt zich een snoerhouder (2) aan de achterzijde van de motorbehuizing.

- ◆ Steek het snoer (21) door de snoerhouder (2).

### Gebruik van het apparaat

**Waarschuwing!** Draag altijd een veiligheidsbril tijdens de bediening van dit apparaat als blazer of zuiger. Als u het apparaat gebruikt in een stoffige omgeving, moet u ook een filtermasker dragen.

**Waarschuwing!** Schakel het apparaat uit, laat de waaier tot stilstand komen en haal de stekker uit het stopcontact voordat u het apparaat gaat instellen, reinigen of onderhouden.

### Blaasstand (fig. H en I)

- ◆ Bevestig de ventilatorklep (22) op de motorbehuizing (11) door de zuiger zoals met de pijl aangegeven te houden. Draai vervolgens om dit punt heen en druk op de ontgren-delingsknop (9) totdat het slot (23) geheel ingeschakeld is. (fig. H)
- ◆ Lijn de bevestigde blazerbuis uit met de motorbehuizing (11).
- ◆ Duw de bevestigde blazerbuis op de zuigeruitlaat (25) totdat het slot stevig vastklikt met de blazerbuis.

**Waarschuwing!** Gebruik nooit de blaasstand zonder dat de blazerbuis en de ventilatorklep stevig zijn bevestigd.

- ◆ Houd de blazerbuis ongeveer 180 mm boven de grond, schakel het apparaat in en maak een veegbeweging van de ene naar de andere kant, en ga rustig verder terwijl u het verzamelde afval of de bladeren voor u houdt (fig. I).
- ◆ Zodra het afval/de bladeren zijn opeengehoopt, kunt u omschakelen naar de zuigerstand om het afval te verzamelen.

### Verwijderen van de blazerbuis en ventilatorklep

- ◆ Als u de blazerbuis wilt verwijderen, drukt u op de ontgren-delingsknop van de zak (10) en trekt u de buis los, waarbij u ervoor dient te zorgen dat de buis niet op de grond valt.
- ◆ Als u de ventilatorklep (22) wilt verwijderen, drukt u op de ontgren-delingsknop van de zuiger (9) en trekt u de ventila-torklep (22) los, waarbij u erop let dat de ventilatorklep niet op de grond valt.

### Zuigerstand (fig. H, J en N)

**Opmerking:** De opvangzak (3) moet zijn bevestigd voor zuigen/versnipperen.

- ◆ Verwijder de ventilatorklep (22) door op de ontgren-delingsknop voor de zuiger (9) te drukken en de ventilatorklep (22) los te trekken. Zorg ervoor dat de buis niet op de grond valt.
- ◆ Bevestig de opvangzak (3) op de zuigeruitlaat (25) door er stevig op te drukken totdat de zak vastklikt.

- ◆ Bevestig de bevestigde zuigerbuis op de motorbehuizing (11) door de zuiger te plaatsen zoals met de pijl aange-geven. Draai vervolgens om dit punt heen en druk op de ontgren-delingsknop (9) totdat het slot geheel ingeschakeld is.
- ◆ Hang de riem van de opvangzak over uw schouder (fig. K). Dit biedt extra ondersteuning als de zak zwaarder wordt doordat deze gevuld wordt met bladeren of afval. U kunt de opvangzak ook aansluiten op de steunbeugel (28 - fig. A) op de onderste zuigerbuis (4) en de de riem kan worden bevestigd op de motorbehuizing (11) met de haak (29).
- ◆ Houd de zuigerbuis enigszins boven het afval/de bladeren. Schakel het apparaat in en maak een veegbeweging. Het afval/de bladeren worden door de buis opgezogen, versnipperd en in de opvangzak geworpen (fig. K).
- ◆ Hoe voller de zak wordt, hoe kleiner de zuigkracht wordt. Schakel het apparaat uit en haal de stekker uit het stop-contact.
- ◆ Rits de zak los en leeg de zak voordat u verdergaat.

**Waarschuwing!** U mag de opvangzak alleen verwijderen nadat u het apparaat hebt uitgeschakeld en de stekker uit het stopcontact hebt gehaald.

**Opmerking:** Als de zuigkracht afneemt maar de zak niet vol is, is de zuigerbuis waarschijnlijk verstopt door afval. Zet het apparaat uit, haal de stekker uit het stopcontact, maak de zuigerbuis los en reinig deze voordat u verdergaat.

### Problemen oplossen

Probleem	Mogelijke oplossing
Het apparaat doet het niet	Controleer de aansluiting op het elektriciteitsnet.
	Controleer de zekering in de stekker. Vervang deze als de zekering gesprongen is (alleen voor het Verenigd Koninkrijk).
	Controleer of de blazer/zuigerbuis op de juiste wijze op de motorbehuizing is aangesloten.
	Als de zekering blijft springen, haalt u de stekker direct uit het stopcontact en neemt u contact op met een bevoegde onderhoudsfirmavaan Black & Decker bij u in de buurt.

Probleem	Mogelijke oplossing
Het apparaat zuigt niet goed/jankend geluid	Schakel het apparaat uit en haal de stekker uit het stopcontact. Het afval moet nu uit de buis vallen.
	Verwijder en leeg de opvangzak.
	Controleer of de inlaat- en uitlaatgaten van de zuigerbuis verstopt zijn.
	Verwijder afval uit de omgeving van de waaier.
Het apparaat versnippert niet goed	Als de zuigkracht laag blijft, haal de stekker dan onmiddellijk uit het stopcontact en raadpleeg een bevoegde reparatiefirma van Black & Decker bij u in de buurt.
	Schakel het apparaat uit en haal de stekker uit het stopcontact. Verwijder de opvangzak.
	Verwijder de zuigerbuis en controleer de waaier.
	Verwijder afval van de waaierbladen.
	Gebruik het apparaat niet als de waaier gebroken of beschadigd is. Raadpleeg een bevoegde reparatiefirma van Black & Decker bij u in de buurt.

**Waarschuwing!** De aardepool hoeft niet te worden aangesloten. Volg de bevestigingsinstructies die met hoogwaardige stekkers worden meegeleverd. Aanbevolen zekering: 13 A.

## Milieu



Aparte inzameling. Dit product mag niet met normaal huishoudelijk afval worden weggegooid.

Mocht u op een dag constateren dat het Black & Decker-product aan vervanging toe is of dat u het apparaat niet meer nodig hebt, gooi het product dan niet bij het restafval. Het product valt onder de categorie voor elektrische apparaten.



Gescheiden inzameling van gebruikte producten en verpakkingsmaterialen maakt het mogelijk materialen te recyclen en opnieuw te gebruiken. Hergebruik van gerecycleerde materialen zorgt voor minder milieuvuiling en dringt de vraag naar grondstoffen terug.

Plaatselijke verordeningen kunnen voorzien in gescheiden inzameling van huishoudelijke elektrische producten via gemeentelijke stortplaatsen of via de leverancier bij wie u een nieuw product aanschafft.

## Onderhoud

Uw Black & Decker-apparaat is ontworpen om gedurende een lange periode te functioneren met een minimum aan onderhoud. U kunt het apparaat naar volle tevredenheid blijven gebruiken als u voor correct onderhoud zorgt en het apparaat regelmatig schoonmaakt.

- ◆ Houd het apparaat schoon en droog.
- ◆ Verwijder bladeren die binnenin de zuigerbuis vastzitten.
- ◆ Reinig de ventilatieopeningen regelmatig met een schone, droge kwast.
- ◆ Maak de opvangzak regelmatig schoon. Maak de zak na gebruik leeg.
- ◆ Reinig het apparaat uitsluitend met een milde reinigingsoplossing en een vochtige doek. Voorkom dat vloeistof het apparaat binnendringt en dompel nooit onderdelen van het apparaat in vloeistof onder. Gebruik geen schuur- of oplosmiddel.
- ◆ Het apparaat heeft lagers die automatisch worden gesmeerd. Het apparaat hoeft dus niet te worden gesmeerd.

## Netstekker vervangen (alleen Verenigd Koninkrijk en Ierland)

Als er een nieuwe netstekker moet worden aangebracht:

- ◆ Gooi de oude stekker op verantwoorde wijze weg.
- ◆ Verbind de bruine draad met de spannings-/fasepool in de nieuwe stekker.
- ◆ Verbind de blauwe draad met de nul-/neutraalpool.

Black & Decker biedt de mogelijkheid tot het recyclen van afgedankte Black & Decker-producten. Om gebruik te maken van deze service, dient u het product naar een van onze servicecentra te sturen, die de inzameling voor ons verzorgen.

U kunt het adres van het dichtstbijzijnde Black & Decker-servicecentrum opvragen via de adressen op de achterzijde van deze handleiding. U kunt ook een lijst van Black & Decker-servicecentra en meer informatie m.b.t. onze klantenservice vinden op het volgende internetadres: [www.2helpU.com](http://www.2helpU.com)

## Technische gegevens

		GW2810 GW2838 (Type 1)	GW3030 (Type 1)	GW3050 (Type 1)
Ingangsspanning	$V_{AC}$	230	230	230
Opgenomen vermogen	W	2800	3000	3000
Capaciteit	l	50	50	50
Gewicht (blazer)	mm	3.45	3.7	3.7
Gewicht (zuiger)	mm	4.85	4.85	4.85

Totale trillingswaarden (som triaxvector) volgens EN 60745:
Trilling ( $a_{tr}$ ) 9,8 m/s <sup>2</sup> , onzekerheid (K) 1,5 m/s <sup>2</sup>

## EG-conformiteitsverklaring

MACHINERICHTLIJN  
RICHTLIJN VOOR GELUID BUITENSHUIS



GW2810 GW2838, GW3030, GW3050

Black & Decker verklaart dat deze producten, die zijn beschreven bij 'Technische gegevens', voldoen aan:  
2006/42/EG, EN 60335

2000/14/EG, Blazer-zuiger, bijlage V  
KEMA Quality B.V., Utrechtseweg 310, 6802 ED Arnhem,  
Nederland

Aangemelde instantie ID Nr.: 0344

Akoestisch vermogen, volgens 2000/14/EG  
(Artikel 13, bijlage III):

$L_{WA}$  (gemeten geluidsvermogen) 104 dB(A)  
Onzekerheid = 3 dB(A)

$L_{WA}$  (gegarandeerd geluidsvermogen) 107 dB(A)  
Onzekerheid = 3 dB(A)

Deze producten voldoen tevens aan richtlijn  
2004/108/EG en 2011/65/EU.

Neem voor meer informatie contact op met Black & Decker op het volgende adres of raadpleeg de achterzijde van de handleiding.

Ondergetekende is verantwoordelijk voor de compilatie van het technische bestand en geeft deze verklaring namens Black & Decker af.

Kevin Hewitt  
Vice-President Global Engineering  
Black & Decker Europe, 210 Bath Road, Slough,  
Berkshire, SL1 3YD  
Verenigd Koninkrijk  
10/04/2013

## Garantie

Black & Decker heeft vertrouwen in haar producten en biedt een uitstekende garantie. Deze garantiebepalingen vormen een aanvulling op uw wettelijke rechten en beperken deze niet. De garantie geldt in de lidstaten van de Europese Unie en de Europese Vrijhandelsassociatie.

Mocht uw Black & Decker product binnen 24 maanden na de datum van aankoop defect raken ten gevolge van materiaal- of constructiefouten, dan garanderen wij de kosteloze vervanging van defecte onderdelen, de reparatie van het product of de vervanging van het product, tenzij:

- ◆ Het product is gebruikt voor handelsdoeleinden, professionele toepassingen of verhuurdoeleinden.
- ◆ Het product onoordeelkundig is gebruikt.
- ◆ Het product is beschadigd door invloeden van buitenaf of door een ongeval.
- ◆ Reparaties zijn uitgevoerd door anderen dan onze servicecentra of Black & Decker-personeel.

Om een beroep te doen op de garantie, dient u een aankoopbewijs te overhandigen aan de verkoper of een van onze servicecentra. U kunt het adres van het dichtstbijzijnde Black & Decker-servicecentrum opvragen via de adressen op de achterzijde van deze handleiding. U kunt ook een lijst van Black & Decker-servicecentra en meer informatie m.b.t. onze klantenservice vinden op het volgende internetadres: [www.2helpU.com](http://www.2helpU.com)

Meld u aan op onze website [www.blackanddecker.nl](http://www.blackanddecker.nl) om te worden geïnformeerd over nieuwe producten en speciale aanbiedingen. Verdere informatie over het merk Black & Decker en onze producten vindt u op [www.blackanddecker.nl](http://www.blackanddecker.nl).

## Uso previsto

La sopladora aspiradora de Black & Decker se ha diseñado para la eliminación de hojas. Este aparato está pensado únicamente para uso en exteriores.

## Advertencias de seguridad generales para el aparato



¡Atención! Si utiliza aparatos eléctricos/sin cable, es necesario seguir las precauciones de seguridad básicas, incluidas las que se indican a continuación, para reducir el riesgo de incendios, descargas eléctricas, lesiones personales y daños materiales.

- Lea todo el manual detenidamente antes de utilizar el aparato y familiarícese con sus controles y su uso correcto.
- En este manual se describe el uso para el que se ha diseñado el aparato. La utilización de accesorios o la realización de operaciones distintas de las recomendadas en este manual de instrucciones puede presentar un riesgo de lesiones.

El término "aparato" empleado en todas las advertencias siguientes se refiere al aparato eléctrico con alimentación de red (con cable) o al aparato eléctrico alimentado por batería (sin cable).

## Guarde todas las advertencias e instrucciones para futuras consultas.

## Utilización del aparato

- **Tenga siempre mucho cuidado al utilizar el aparato.**
- Mantenga limpia y bien iluminada el área de trabajo. El desorden y una iluminación deficiente pueden provocar accidentes.

- Utilice el aparato únicamente a la luz del día o con iluminación artificial adecuada.
- No utilice el aparato en entornos con peligro de explosión, como en los que se encuentren líquidos, gases o material en polvo inflamables.
- Nunca permita que los niños ni las personas no familiarizadas con estas instrucciones utilicen el aparato. Las normativas locales pueden restringir la edad del usuario.
- Evite que los niños y animales se acerquen a la zona de trabajo y toquen el aparato o el cable de alimentación.
- Cuando utilice el aparato, mantenga a los niños, a otras personas y a los animales alejados del área de trabajo. Una distracción le puede hacer perder el control del aparato.
- Este aparato no es un juguete.
- No sumerja el aparato en agua.
- No abra la carcasa. Las piezas del interior del aparato no pueden ser reparadas por el usuario.

## Seguridad personal

- Esté atento a lo que hace y emplee el aparato con prudencia. No lo utilice si está cansado, ni si se encuentra bajo los efectos del alcohol, drogas o medicamentos. Un momento de distracción durante el uso del aparato puede provocarle serias lesiones personales.

- ◆ En caso necesario, utilice un equipo de protección personal. El riesgo de lesiones se reduce considerablemente si se utiliza material de protección adecuado como gafas de protección, mascarilla antipolvo, zapatos de seguridad con suela antideslizante, casco o protectores auditivos.
- ◆ Impida que la herramienta se ponga en marcha accidentalmente. Asegúrese de que el conmutador de encendido/apagado se encuentre en la posición de apagado antes de coger o transportar el aparato, o de conectarlo a la fuente de alimentación o a la batería. Transportar el aparato con el dedo sobre el conmutador o enchufarlo con el conmutador encendido puede provocar accidentes.
- ◆ Sea precavido. Mantenga un apoyo firme sobre el suelo y conserve el equilibrio en todo momento. Ello le permitirá controlar mejor el aparato en caso de presentarse una situación inesperada.
- ◆ Lleve puesta una vestimenta de trabajo adecuada. No lleve ropa holgada ni joyas. Aleje el pelo, la ropa y los guantes de las piezas móviles. La vestimenta holgada, las joyas y el pelo largo se pueden enganchar con las piezas en movimiento.

## Uso y cuidado del aparato

- ◆ Antes de utilizarlo, compruebe que el aparato no contenga piezas dañadas ni defectuosas. Compruebe que no haya piezas rotas, que los conmutadores no estén dañados y que no existan otros defectos que puedan afectar al funcionamiento del aparato.
- ◆ No utilice el aparato con un conmutador defectuoso. Los aparatos que no se puedan controlar con un conmutador de conexión/desconexión son peligrosos y deben hacerse reparar.
- ◆ Desconecte el enchufe de la fuente de alimentación y/o la batería del aparato antes de realizar cualquier ajuste, cambiar accesorios o guardar los aparatos. Estas medidas preventivas reducen el riesgo de conectar el aparato accidentalmente.
- ◆ En los casos en los que esta recomendación sea aplicable, mantenga las herramientas de corte limpias y afiladas. Las herramientas de corte mantenidas correctamente se dejan guiar y controlar mejor.
- ◆ No utilice el aparato si presenta alguna pieza dañada o defectuosa.
- ◆ Solicite a un agente de servicio técnico autorizado la reparación o sustitución de las piezas dañadas o defectuosas.
- ◆ Nunca intente extraer ni sustituir piezas no especificadas en este manual.



## Seguridad eléctrica

- ◆ El enchufe del aparato debe corresponder a la toma de corriente utilizada. No modifique el enchufe. No emplee adaptadores en aparatos dotados con toma de tierra. Estas pautas le ayudarán a reducir el riesgo de descargas eléctricas.
- ◆ No exponga el aparato a la lluvia y evite que penetren líquidos en su interior. El peligro de recibir una descarga eléctrica es mayor si penetra agua en el aparato.
- ◆ Cuide el cable de alimentación. No lo utilice para transportar o colgar el aparato, ni tire de él para sacar el enchufe de la toma de corriente. Manténgalo alejado del calor, aceite, bordes afilados o piezas móviles. Los cables de red dañados o enredados incrementan el riesgo de descarga eléctrica.
- ◆ Al trabajar con el aparato a la intemperie utilice solamente cables de prolongación homologados para su uso en exteriores. Esto le ayudará a reducir el riesgo de descarga eléctrica.
- ◆ Si la utilización de un aparato en un lugar húmedo es inevitable, utilice una fuente protegida con un dispositivo de corriente residual (DDR). La utilización de un DDR reduce el riesgo de sufrir descargas eléctricas.

## Después de la utilización

- ◆ Cuando no utilice el aparato, deberá guardarse en un lugar seco, bien ventilado y lejos del alcance de los niños.

- ◆ Los niños no deben tener acceso a los aparatos guardados.
- ◆ Cuando se guarde o transporte el aparato en un vehículo, deberá colocarse en el maletero o asegurarse para evitar movimientos producidos por cambios repentinos en la velocidad o la dirección.

## Servicio técnico

- ◆ Este aparato sólo lo puede reparar personal técnico autorizado que emplee exclusivamente piezas de repuesto originales. De este modo se garantiza el mantenimiento de la seguridad del aparato.

## Instrucciones de seguridad adicionales para sopladoras aspiradoras

En este manual se describe el uso para el que se ha diseñado el aparato. La utilización de accesorios o la realización de operaciones con este aparato distintas de las recomendadas en este manual de instrucciones puede presentar un riesgo de lesiones y/o daños materiales.

- ◆ Para proteger sus pies y piernas cuando utilice el aparato, lleve siempre calzado resistente y pantalones largos.
- ◆ No utilice el producto en modo de aspiración sin los tubos de aspiración y la bolsa colectora en su lugar.
- ◆ Apague siempre el producto, deje que el ventilador se detenga y desconecte el enchufe de la toma cuando:

- ◆ Cambie del modo de sopladora al de aspiradora.
  - ◆ El cable de alimentación esté dañado o enrollado.
  - ◆ Deje el producto sin vigilancia.
  - ◆ Elimine una obstrucción.
  - ◆ Compruebe, ajuste, limpie o realice cualquier operación en el producto.
  - ◆ El aparato comience a vibrar de manera anormal.
  - ◆ Evite acercarse a la entrada o la salida de la aspiradora a los ojos o a los oídos cuando utilice el producto. Nunca sople restos en la dirección de otras personas.
  - ◆ No utilice el producto bajo la lluvia ni lo deje en el exterior mientras esté lloviendo.
  - ◆ No cruce caminos de grava ni carreteras con el producto encendido en el modo de sopladora o aspiradora. Camine; nunca corra.
  - ◆ No deje la unidad sobre la grava mientras se encuentra encendida.
  - ◆ Manténgase en todo momento firmemente apoyado en el suelo, especialmente cuando esté en pendiente. Sea precavido y mantenga el equilibrio en todo momento.
  - ◆ No recoja sustancias que puedan estar contaminadas con líquidos inflamables o combustibles, como gasolina, ni utilice el producto en lugares donde tales sustancias puedan estar presentes.
  - ◆ No coloque ningún objeto en las aberturas. Nunca utilice el producto si las aberturas están bloqueadas (evite que se introduzcan pelos, pelusas, partículas de polvo u otras sustancias que puedan reducir el flujo de aire).
- ¡Atención!** Utilice siempre el producto según las instrucciones que se describen en este manual. El producto está diseñado para utilizarse en posición vertical, y su utilización en cualquier otro modo puede causar lesiones. Nunca ponga en marcha el producto mientras este se encuentre recostado o boca abajo.
- ◆ El usuario será responsable de los accidentes y las situaciones peligrosas que puedan sufrir las personas de su alrededor o sus propiedades.
  - ◆ No sujete el aparato por el cable para transportarlo.
  - ◆ Dirija siempre el cable hacia atrás para alejarlo del aparato.
- ¡Atención!** Si se daña un cable mientras utiliza el producto, desconecte el cable de alimentación de la red eléctrica inmediatamente. No toque el cable de alimentación sin haberlo desconectado previamente de la red eléctrica.
- ◆ No utilice disolventes ni fluidos de limpieza para limpiar el producto. Utilice un raspador sin filo para eliminar los restos de hierba y la suciedad.
  - ◆ Compruebe frecuentemente que la bolsa colectora no esté gastada o rota.

- ◆ El agente autorizado de Black & Decker le proporcionará ventiladores de recambio. Utilice únicamente piezas de repuesto y accesorios recomendados por Black & Decker.
- ◆ Mantenga todas las tuercas, pernos y tornillos del aparato apretados para asegurar unas condiciones de trabajo seguras.

- ◆ Si se dañara el cable de alimentación, deberá ser sustituido por el fabricante o por un centro de asistencia técnica autorizado de Black & Decker para evitar cualquier situación de riesgo.
- ◆ Se puede incrementar la seguridad eléctrica mediante dispositivos de corriente residual de 30 mA de alta sensibilidad.

## Seguridad de terceros

- ◆ Ninguna persona (incluidos los niños a partir de 8 años de edad) con capacidades físicas, sensoriales o mentales disminuidas, o que carezca de experiencia y conocimientos, debe utilizar este aparato, salvo que haya recibido supervisión o formación con respecto al uso del aparato de una forma segura y que comprenda los peligros que entraña. Los niños no deben jugar con el aparato. Ningún niño deberá realizar las tareas de limpieza y mantenimiento, salvo que lo hagan bajo supervisión.
- ◆ Los niños deben vigilarse en todo momento para garantizar que el aparato no se toma como elemento de juego.

## Utilización de un cable de prolongación

Utilice siempre un cable de prolongación adecuado para la entrada de corriente de esta herramienta (consulte la ficha técnica). El cable de prolongación debe ser adecuado para su uso en exteriores y presentar las indicaciones oportunas. Se puede utilizar un cable de prolongación HO5VV-F de 1.5 mm<sup>2</sup> y de hasta 30 m sin pérdida de rendimiento del producto. Antes de utilizar el cable de prolongación, compruebe que no está dañado, gastado o deteriorado. Si está dañado o defectuoso, sustitúyalo. Cuando utilice una bobina de cable, desenrolle siempre todo el cable.

## Seguridad eléctrica



El aparato lleva un doble aislamiento; por lo tanto no requiere una toma a tierra. Compruebe siempre que la tensión de la red corresponda con el valor indicado en la placa de datos de la herramienta.

## Riesgos residuales.

El uso de esta herramienta puede producir riesgos residuales adicionales no incluidos en las advertencias de seguridad adjuntas. Estos riesgos se pueden generar por un uso incorrecto, demasiado prolongado, etc.

El cumplimiento de las normas de seguridad correspondientes y el uso de dispositivos de seguridad no evitan ciertos riesgos residuales. Estos riesgos incluyen:

- Lesiones producidas por el contacto con piezas móviles o giratorias.
- Lesiones producidas al cambiar cualquier pieza, cuchilla o accesorio.
- Lesiones producidas al usar una herramienta por un tiempo demasiado prolongado. Si utiliza una herramienta durante períodos de tiempo demasiado prolongados, asegúrese de realizar pausas con frecuencia.
- Discapacidad auditiva.
- Riesgos para la salud producidos al respirar el polvo que se genera al usar la herramienta (por ejemplo: en los trabajos con madera, especialmente de roble, haya y tableros de densidad mediana).

## Etiquetas del aparato

Encontrará los siguientes pictogramas en la herramienta:



**¡Atención!** Lea el manual antes de utilizar el aparato.



Cuando utilice el aparato, lleve siempre gafas protectoras.



Cuando maneje el aparato, utilice protección para los oídos adecuada.



No exponga la herramienta a la lluvia ni a la humedad, ni la deje en el exterior mientras esté lloviendo.



Apague el aparato: desconecte el enchufe de la corriente antes de limpiar o revisar el aparato.



Tenga cuidado con los objetos que salen volando.



Mantenga alejadas a otras personas.



Directiva 2000/14/CE sobre la potencia acústica garantizada.

## Características

1. Control de la velocidad variable
2. Fijación para el cable
3. Bolsa colectora
4. Tubo de soplado superior
5. Tubo de soplado inferior
6. Tubo de aspiración superior
7. Tubo de aspiración medio
8. Tubo de aspiración inferior
9. Botón de liberación de la aspiradora
10. Botón de liberación de la bolsa
11. Cabezal motorizado
12. Mango secundario

## Montaje



**¡Atención!** Antes de proceder al montaje, compruebe que el aparato está apagado y desenchufado.



**¡Atención!** Utilice siempre guantes de protección cuando manipule la sopladora aspiradora.

**Montaje del tubo de aspiración (fig. A)**

Los tubos de aspiración deben unirse antes de utilizar el aparato.

**¡Atención!** No utilice el aparato con los tubos de aspiración separados.

- ◆ Para facilitar el montaje, aplique una solución de agua jabonosa en la zona de unión.
- ◆ Alinee las muescas (13) y los triángulos (14) de los tubos de aspiración superior (6) y medio (7).
- ◆ Presione el tubo de aspiración superior (6) firmemente dentro del tubo de aspiración medio (7) hasta que los triángulos encajen en su sitio.
- ◆ Alinee las muescas (13) y los triángulos (14) de los tubos de aspiración medio (7) e inferior (8).
- ◆ Presione el tubo de aspiración medio (7) firmemente dentro del tubo de aspiración inferior (8) hasta que los triángulos encajen en su sitio.

**¡Atención!** No separe los tubos una vez montados.

**Colocación del mango secundario (fig. B) (solo para GW3050)**

- ◆ Mantenga pulsados los dos botones (15) que hay en el lateral de la montura del mango.
- ◆ Deslice el mango secundario (12) hasta que quede colocado en su sitio, por encima de los botones (15).

**Nota:** Asegúrese de que el botón naranja esté en el mismo lado que el orificio grande del mango.

**¡Atención!** Asegúrese de que los dientes del botón queden correctamente alineados en las ranuras del mango y de que dicho mango esté colocado firmemente.

**Ajuste de la posición del mango secundario (fig. C) (solo para GW3050)**

Puede ajustar el mango secundario (12) para obtener el máximo equilibrio y comodidad.

- ◆ Pulse el botón (15) que hay en lateral izquierdo del mango.
- ◆ Gire el mango secundario (12) hasta que quede en la posición deseada.
- ◆ Suelte el botón (15).

**¡Atención!** Asegúrese de que los dientes del botón queden correctamente alineados en las ranuras del mango y de que dicho mango esté colocado firmemente.

**Montaje del tubo de soplado (fig. D)**

- ◆ Alinee los 2 marcadores (16) de la parte inferior del tubo de soplado superior (4) y los 2 marcadores (17) de la parte inferior del tubo de soplado inferior (5).
- ◆ Presione el tubo de soplado superior (4) firmemente dentro del tubo de soplado inferior (5) hasta que encajen en su sitio.

**¡Atención!** No separe los tubos una vez montados.

**Colocación y extracción del concentrador (fig. D)**

- ◆ Deslice el concentrador (30) firmemente dentro del extremo inferior del tubo de soplado inferior (5). Fije el concentrador mediante la sujeción de la lengüeta (31) con la pinza (32)
- ◆ Para extraerlo, eleve la pinza (32) y deslice el concentrador (8) fuera de la parte inferior del tubo de soplado inferior (5).

**Colocación y extracción del escarificador (fig. E) (solo para GW3050 & GW2838)**

- ◆ Coloque el escarificador (18) sobre la montura (19) de la parte inferior del tubo de soplado inferior (5).
- ◆ Presione hacia abajo y deslice el escarificador (18) firmemente dentro de la montura (19) hasta que encaje en su sitio.
- ◆ Para extraerlo, eleve el disparador del escarificador (20) y deslice el escarificador (18) fuera de la montura (19).

**Uso****Encendido y apagado (fig. F)**

**¡Atención!** Sujete el producto firmemente cuando lo encienda.

- ◆ Para encender el aparato, gire el control de la velocidad variable (1) en el sentido de las agujas del reloj hasta el ajuste necesario.
- ◆ Para apagar el aparato, gire el control de la velocidad variable (1) en sentido contrario al de las agujas del reloj hasta la posición de apagado.

**Fijación para el cable (fig. G)**

Existe una fijación para el cable (2) incorporada en la parte posterior del cabezal motorizado.

- ◆ Enrolle el cable (21) a través de la fijación para el cable (2).

**Utilización del producto**

**¡Atención!** Tanto si utiliza el producto como una sopladora o una aspiradora, utilice siempre gafas de seguridad. Si utiliza el producto en entornos con mucho polvo, utilice también una mascarilla de filtro.

**¡Atención!** Apague el producto, deje que el ventilador se detenga y desconecte el enchufe de la toma antes de llevar a cabo cualquier ajuste, reparación u operación de mantenimiento.

### Modo de soplado (fig. H e I)

- ◆ Acople la cubierta del ventilador (22) al cabezal motorizado (11). Para ello, localice el tubo de montaje indicado con la flecha, gire el cabezal hasta este punto y presione el botón de liberación de la aspiradora (9) hasta que el gancho (23) quede totalmente fijado. (fig. H)
- ◆ Alinee el tubo de soplado montado con la cabeza motriz (11).
- ◆ Presione el tubo de soplado montado dentro de la salida de la aspiradora (25) hasta que el bloqueo se enganche firmemente con el tubo de soplado.

**¡Atención!** Nunca utilice el modo de soplado sin el tubo de soplado ni la cubierta del ventilador colocados firmemente en su sitio.

- ◆ Sujete el tubo de soplado aproximadamente 180 mm por encima del nivel del suelo, encienda el aparato y avance lentamente mientras realiza un movimiento de barrido de lado a lado, a la vez que mantiene los restos y hojas acumulados enfrente de usted (fig. I).
- ◆ Una vez que haya reunido los restos y hojas en una pila, puede cambiar al modo de aspiración para recogerlos.

### Extracción del tubo de soplado y de la cubierta del ventilador

- ◆ Para desconectar el tubo de soplado, pulse el botón de liberación de la bolsa (10) y tire del tubo, procurando que el tubo no se caiga al suelo.
- ◆ Para desconectar la cubierta del ventilador (22) pulse el botón de liberación de la aspiradora (9) y tire de la cubierta del ventilador (22), procurando que la cubierta no se caiga al suelo.

### Modo de aspiración (fig. H, J y K)

**Nota:** Para aspirar y triturar, la bolsa colectora (3) debe estar instalada.

- ◆ Extraiga la cubierta del ventilador (22) pulsando el botón de liberación de la aspiradora (9) y tirando de la cubierta del ventilador (22), procurando que la cubierta no se caiga al suelo.
- ◆ Acople la bolsa colectora (3) a la salida de la aspiradora (25) presionándola firmemente hasta que encaje en su sitio.
- ◆ Acople el tubo de aspiración montado al cabezal motorizado (11). Para ello, localice el tubo de montaje indicado con la flecha, gire el cabezal hasta este punto y presione el botón de liberación de la aspiradora (9) hasta que el gancho quede totalmente fijado.

- ◆ Coloque la correa de la bolsa colectora sobre el hombro (fig. K). De este modo soportará el peso adicional de la bolsa a medida que se llene. Como opción alternativa, la bolsa colectora se puede sujetar con un clip al soporte de apoyo (28 - fig. A) del tubo de aspiración superior (4) y la correa se puede montar en el cabezal motorizado (11) sobre el gancho (29).
- ◆ Coloque el tubo de aspiración ligeramente por encima de los restos u hojas. Encienda el aparato y realice un movimiento de barrido; el tubo succionará los restos u hojas, que se triturarán y enviarán a la bolsa colectora (fig. K).
- ◆ A medida que la bolsa se llena, la potencia de succión disminuye. Apague el aparato y desconéctelo de la fuente de alimentación.
- ◆ Abra la bolsa y vacíe el contenido antes de continuar utilizando el aparato.

**¡Atención!** Nunca extraiga la bolsa colectora antes de apagar el aparato y desconectarlo de la fuente de alimentación.

**Nota:** Si la potencia de succión disminuye y la bolsa no está llena, es posible que el tubo de aspiración esté atascado con restos. Apague y desenchufe el aspirador y limpie el tubo antes de seguir utilizando el aparato.

### Solución de problemas

Problema	Posible solución
Fallo de funcionamiento	Compruebe la conexión a la fuente de alimentación.
	Compruebe el fusible del enchufe y, si está fundido, sustitúyalo (solamente para el Reino Unido).
	Compruebe que el tubo de soplado/ aspiración esté correctamente montado en el cabezal motorizado.
	Si el fusible se sigue fundiendo, desconecte inmediatamente el producto de la fuente de alimentación y póngase en contacto con el agente de servicio técnico autorizado de Black & Decker.
Aspiración insuficiente/ chirrido agudo	Apague el producto y desconecte el producto de la fuente de alimentación. Los restos deberían expulsarse del tubo.
	Extraiga y vacíe la bolsa colectora.
	Compruebe que los puertos de entrada y salida del tubo de aspiración estén libres de obstrucciones.
	Extraiga cualquier resto del área del ventilador.
	Si la potencia de aspiración sigue siendo insuficiente, desconecte inmediatamente el producto de la fuente de alimentación y póngase en contacto con el agente de servicio técnico autorizado de Black & Decker.

Problema	Posible solución
Triturado insuficiente	Apague el producto, desconecte el producto de la fuente de alimentación y extraiga la bolsa colectora.
	Extraiga el tubo de aspiración e inspeccione el ventilador.
	Limpie cualquier resto de las palas del ventilador.
	Si el ventilador está roto o dañado, no utilice el producto. Póngase en contacto con el agente de servicio técnico autorizado de Black & Decker.

## Protección del medio ambiente

Recogida selectiva. No se debe desechar este producto con el resto de residuos domésticos.



Si llegase el momento en que fuese necesario sustituir su producto Black & Decker o si este dejase de tener utilidad para usted, no lo deseche junto con los residuos domésticos. Sepárelo para su recogida selectiva.



La recogida selectiva de productos y embalajes usados permite el reciclaje de materiales y su reutilización. La reutilización de materiales reciclados contribuye a evitar la contaminación medioambiental y reduce la demanda de materias primas.

Las normativas municipales deben ofrecer la recogida selectiva de productos eléctricos del hogar, en puntos municipales previstos para tal fin o a través del distribuidor cuando adquiera un nuevo producto.

Black & Decker proporciona facilidades para la recogida y reciclado de los productos Black & Decker que han llegado al final de su vida útil. Para poder utilizar este servicio, le rogamos que entregue el producto a cualquier agente de servicio técnico autorizado para que se haga cargo de él en nuestro nombre.

Puede consultar la dirección de su agente de servicio técnico más cercano si se pone en contacto con la oficina local de Black & Decker en la dirección que se indica en este manual. Como opción alternativa, puede consultar la lista de servicios técnicos autorizados de Black & Decker y obtener la información completa de nuestros servicios de posventa y contactos en la siguiente dirección de Internet: [www.2helpU.com](http://www.2helpU.com)

## Mantenimiento

El aparato de Black & Decker se ha diseñado para que funcione durante un largo período de tiempo con un mantenimiento mínimo. El funcionamiento satisfactorio continuado depende de un cuidado apropiado y una limpieza periódica del aparato.

- ◆ Mantenga el aparato limpio y seco.
- ◆ Retire cualquier hoja que haya quedado atascada dentro del tubo de aspiración.
- ◆ Limpie periódicamente las ranuras de ventilación con un cepillo limpio y seco.
- ◆ Limpie periódicamente la bolsa recolectora y asegúrese de que está limpia y vacía después de cada uso.
- ◆ Para limpiar el aparato, utilice únicamente un jabón suave y un paño húmedo. Evite que penetre líquido en el interior de la herramienta y nunca sumerja ninguna parte de esta en líquido. No utilice limpiadores de base abrasiva o disolventes.
- ◆ En este producto se han utilizado cojinetes autolubrificantes, por lo que no se requiere lubricarlos.

## Sustitución del enchufe de red eléctrica (solo para Reino Unido e Irlanda)

Si es necesario colocar un nuevo enchufe para la red eléctrica:

- ◆ Deseche el enchufe anterior según las normas de seguridad.
- ◆ Conecte el cable marrón al terminal conductor del nuevo enchufe.
- ◆ Conecte el cable azul al terminal neutro.

**¡Atención!** No se debe realizar ninguna conexión al terminal de conexión a tierra. Siga las instrucciones de montaje que se suministran con los enchufes de buena calidad. Fusible recomendado: 13 A.

## Ficha técnica

		GW2810 GW2838 (Tipo 1)	GW3030 (Tipo 1)	GW3050 (Tipo 1)
Voltaje de entrada	$V_{AC}$	230	230	230
Potencia de entrada	W	2800	3000	3000
Capacidad	l	50	50	50
Peso (sopladora)	mm	3.45	3.7	3.7
Peso (aspiradora)	mm	4.85	4.85	4.85

Valores totales de vibración (suma vectorial triaxial) de acuerdo con la directiva EN 60745:
Vibración ( $a_v$ ) 9,8 m/s <sup>2</sup> , incertidumbre (K) 1.5 m/s <sup>2</sup>

## Declaración de conformidad de la CE

DIRECTIVA DE MAQUINARIAS

DIRECTIVA SOBRE LA EMISIÓN DE RUIDO EN EXTERIORES



GW2810 GW2838, GW3030, GW3050

Black & Decker declara que los productos descritos en la "ficha técnica" cumplen con lo siguiente:  
2006/42/CE, EN 60335

2000/14/CE, Sopladora aspiradora, Anexo V  
KEMA Quality B.V., Utrechtseweg 310, 6802 ED Arnhem,  
Países Bajos  
N.º de ID del departamento notificado: 0344

Nivel de potencia acústica de acuerdo con la directiva  
2000/14/CE  
(Artículo 13, Anexo III):

$L_{WA}$  (potencia acústica medida) 104 dB (A)  
Incertidumbre = 3 dB(A)

$L_{WA}$  (potencia acústica garantizada) 107 dB(A)  
Incertidumbre = 3 dB(A)

Estos productos también cumplen con la Directiva  
2004/108/CE y 2011/65/UE.

Si desea obtener más información, póngase en contacto con Black & Decker a través de la siguiente dirección o consulte la contracubierta del manual.

La persona que firma a continuación es responsable de la elaboración del archivo técnico y realiza esta declaración en nombre de Black & Decker.

Kevin Hewitt  
Vicepresidente de Ingeniería global  
Black & Decker Europe, 210 Bath Road, Slough,  
Berkshire, SL1 3YD  
Reino Unido  
10/04/2013

## Garantía

Black & Decker confía plenamente en la calidad de sus productos y ofrece una garantía extraordinaria. Esta declaración de garantía es un añadido, y en ningún caso un perjuicio para sus derechos legales. La garantía es válida dentro de los territorios de los Estados miembros de la Unión Europea y de los de la Zona Europea de Libre Comercio.

Si un producto Black & Decker resultara defectuoso debido a materiales o mano de obra defectuosos o a la falta de conformidad, Black & Decker garantiza, dentro de los 24 meses de la fecha de compra, la sustitución de las piezas defectuosas, la reparación de los productos sujetos a un desgaste y rotura razonables o la sustitución de tales productos para garantizar al cliente el mínimo de inconvenientes, a menos que:

- ◆ El producto se haya utilizado con propósitos comerciales, profesionales o de alquiler.
- ◆ El producto se haya sometido a un uso inadecuado o negligente.
- ◆ El producto haya sufrido daños causados por objetos o sustancias extrañas o accidentes.
- ◆ Se hayan realizado reparaciones por parte de personas que no sean del servicio técnico autorizado o personal de servicios de Black & Decker.

Para reclamar en garantía, será necesario que presente la prueba de compra al vendedor o al agente de servicio técnico autorizado. Puede consultar la dirección de su agente de servicio técnico más cercano si se pone en contacto con la oficina local de Black & Decker en la dirección que se indica en este manual. Como opción alternativa, puede consultar la lista de servicios técnicos autorizados de Black & Decker y obtener la información completa de nuestros servicios de posventa y contactos en la siguiente dirección de Internet: [www.2helpU.com](http://www.2helpU.com)

Visite el sitio web [www.blackanddecker.es](http://www.blackanddecker.es) para registrar su nuevo producto Black & Decker y estar al día sobre productos y ofertas especiales. Encontrará información adicional sobre la marca Black & Decker y nuestra gama de productos en [www.blackanddecker.es](http://www.blackanddecker.es).



## Utilização prevista

O aspirador/soprador de folhas Black & Decker foi concebido para limpar/aspirar folhas. Este aparelho destina-se apenas a uma utilização ao ar livre.

## Avisos de segurança gerais para aparelhos eléctricos



**Atenção!** Ao utilizar aparelhos eléctricos/sem fios, deve sempre cumprir as medidas de segurança básicas, incluindo as seguintes, de modo a reduzir os riscos de incêndio, choque eléctrico e danos pessoais e materiais.

- ◆ Leia cuidadosamente o manual completo antes de utilizar este aparelho e familiarize-se com os respectivos controlos e utilização adequada.
- ◆ A utilização prevista para este aparelho está descrita neste manual. A utilização de qualquer acessório ou a realização de qualquer operação com este aparelho que não esteja incluída no presente manual de instruções poderá representar um risco de ferimentos pessoais.

A expressão "aparelho" em todos os avisos apresentados abaixo refere-se ao seu aparelho com ligação à corrente eléctrica (com cabo) ou com bateria (sem fios).

## Guarde todos os avisos e instruções para futura referência.

## Utilizar o aparelho

- ◆ **Tenha sempre cuidado quando utiliza este aparelho.**
- ◆ Mantenha a área de trabalho limpa e bem iluminada. Áreas desarrumadas ou mal iluminadas são propícias a acidentes.

- ◆ Utilize apenas o aparelho à luz do dia ou com uma boa luz artificial.
- ◆ Não utilize o aparelho em áreas com risco de explosão, nas quais se encontrem líquidos, gases ou poeiras inflamáveis.
- ◆ Nunca deixe crianças ou pessoas que não estejam familiarizadas com estas instruções utilizar este aparelho, as normas locais podem restringir a idade do operador.
- ◆ Não deixe crianças ou animais aproximarem-se da área de trabalho ou tocarem no cabo de alimentação do aparelho.
- ◆ Mantenha crianças, outras pessoas e animais afastados durante a utilização do aparelho. Distracções podem provocar perda de controlo do aparelho.
- ◆ Este aparelho não deve ser utilizado como um brinquedo.
- ◆ Não mergulhe o aparelho em água.
- ◆ Não abra a estrutura do aparelho. Não existem peças para manutenção pelo utilizador no interior.

## Segurança pessoal

- ◆ Mantenha-se atento, concentre-se naquilo que está a fazer e utilize o bom senso quando utiliza o aparelho. Não utilize o aparelho se estiver cansado ou sob a influência de drogas, álcool ou medicamentos. Um momento de falta de atenção enquanto utiliza o aparelho poderá resultar em lesões graves.

- ◆ Sempre que necessário, utilize equipamento de protecção pessoal. Equipamento de protecção como, por exemplo, protecção para os olhos, máscara anti-poeiras, sapatos de segurança anti-derrapantes, capacete de segurança ou protecção auricular, de acordo com as condições adequadas reduz o risco de lesões.
- ◆ Evite arranques involuntários. Certifique-se de que o botão está desligado antes de ligar o aparelho à corrente eléctrica e/ou a bateria, ou antes de pegar ou transportar o aparelho. Transportar aparelhos com o dedo no botão ou ligar aparelhos à tomada com o interruptor na posição de ligado pode dar origem a acidentes.
- ◆ Não tente chegar a pontos fora do alcance. Mantenha-se sempre bem posicionado e em equilíbrio. Assim, controlará melhor o aparelho em situações imprevistas.
- ◆ Utilize vestuário adequado. Não utilize roupas largas nem jóias. Mantenha o cabelo, roupa e luvas afastados de peças em movimento. Roupas largas, jóias ou cabelo comprido podem ser apanhados por partes móveis.
- ◆ Não utilize o aparelho se o interruptor não puder ser ligado nem desligado. Qualquer aparelho que não possa ser controlado com o interruptor é perigoso e terá de ser reparado.
- ◆ Desligue a ficha da tomada e/ou a bateria do aparelho antes de proceder a ajustes, trocar acessórios ou guardar aparelhos. Estas medidas de segurança reduzem o risco de o aparelho ser ligado acidentalmente.
- ◆ Sempre que aplicável, mantenha as ferramentas de corte afiadas e limpas. Ferramentas de corte com a manutenção adequada e extremidades afiadas bloqueiam com menos frequência e são mais fáceis de controlar.
- ◆ Não utilize este aparelho se alguma das suas peças estiver danificada ou avariada.
- ◆ Mande reparar ou substituir quaisquer peças danificadas ou avariadas por um agente de reparação autorizado.
- ◆ Nunca tente retirar ou substituir quaisquer peças que não as especificadas neste manual.

## Segurança eléctrica

- ◆ As fichas do aparelho devem caber na tomada. A ficha não deve ser modificada de modo algum. Não utilize quaisquer fichas adaptadoras em aparelhos com ligação à terra. Fichas sem modificações e tomadas adequadas reduzem o risco de choques eléctricos.

## Utilização e manutenção do aparelho

- ◆ Antes da utilização, verifique o aparelho quanto a peças danificadas ou avariadas. Verifique se há peças partidas, danos nos interruptores ou outro tipo de condições que possam afectar o seu funcionamento.

- ◆ Não exponha o aparelho à chuva ou humidade. A penetração de água num aparelho aumenta o risco de choques eléctricos.
- ◆ Manuseie o fio com cuidado. O cabo não deve ser utilizado para transportar ou pendurar o aparelho, nem para puxar a ficha da tomada. Mantenha o cabo afastado de calor, óleo, pontas afiadas ou partes móveis. Cabos danificados ou torcidos aumentam o risco de choques eléctricos.
- ◆ Quando trabalhar com um aparelho ao ar livre, utilize um cabo de extensão apropriado para esse fim. A utilização de um cabo apropriado para áreas ao ar livre reduz o risco de choques eléctricos.
- ◆ Se for inevitável trabalhar com um aparelho num local húmido, utilize um Dispositivo de Corrente Residual (RCD). A utilização de um RCD reduz o risco de choque eléctrico.

## **Após a Utilização**

- ◆ Quando não for utilizado, o aparelho deve ser guardado num local seco e com boa ventilação, longe do alcance das crianças.
- ◆ As crianças não devem ter acesso a aparelhos armazenados.
- ◆ Quando o aparelho for guardado ou transportado num veículo, deverá ser colocado na bagageira ou fixo de forma a evitar o movimento devido a alterações súbitas na velocidade ou direcção.

## **Reparação**

- ◆ O seu aparelho só deve ser reparado por pessoal qualificado e só devem ser colocadas peças sobressalentes originais. Isso garante a manutenção da segurança do aparelho.

## **Instruções de Segurança adicionais para aspiradores/ sopradores**

A utilização prevista para este aparelho está descrita neste manual. A utilização de qualquer acessório ou a realização de qualquer operação com este aparelho que não se inclua no presente manual de instruções pode representar um risco de ferimentos pessoais e/ou danos materiais.

- ◆ Para proteger os pés e pernas durante a utilização do aparelho, use sempre calçado resistente e reforçado e calças compridas.
- ◆ Não utilize o modo de aspiração sem que os tubos de aspiração e o saco de recolha estejam na devida posição.
- ◆ Antes de desligar o aparelho, deixe que a ventoinha pare e remova a ficha da tomada quando:
  - ◆ Mudar de soprador para aspirador.
  - ◆ O cabo de alimentação ficar danificado ou torcido.
  - ◆ Deixar o aparelho sem vigilância.
  - ◆ Limpar um obstáculo.
  - ◆ Verificar, ajustar, limpar ou trabalhar com o aparelho.
  - ◆ Se o aparelho começar a vibrar anormalmente.

- ◆ Não coloque a entrada ou saída do aspirador perto dos olhos ou ouvidos durante a utilização. Nunca sobre detritos na direcção de pessoas que se encontram nas proximidades.
- ◆ Se estiver a chover, não utilize o aparelho nem o deixe no exterior.
- ◆ Não atravesse caminhos ou estradas de gravilha quando o aparelho estiver ligado em modo de sopro/aspiração. Caminhe, nunca corra.
- ◆ Não coloque a unidade na gravilha enquanto estiver ligada.
- ◆ Tenha sempre cuidado ao deslocar-se, especialmente em terrenos inclinados. Não tente chegar a pontos fora do alcance e mantenha sempre o equilíbrio.
- ◆ Não recolha material que possa estar contaminado com líquidos inflamáveis ou combustíveis como gasolina, ou utilize em áreas em que possam estar presentes.
- ◆ Não coloque quaisquer objectos nas aberturas do aparelho. Nunca utilize o aparelho se as aberturas estiverem obstruídas – mantenha cabelos, algodão, pó ou qualquer objecto que possa reduzir a circulação do ar longe das aberturas.

**Atenção!** Utilize sempre o aparelho da forma descrita neste manual. O aparelho foi concebido para ser utilizado de um modo vertical e se for utilizado de outro modo pode provocar danos pessoais. Nunca ponha o aparelho em funcionamento quando estiver pousado lateralmente ou virado ao contrário.

- ◆ O utilizador é responsável por acidentes ou perigos que possam ocorrer a outras pessoas ou bens.
- ◆ Não transporte o aparelho pelo cabo.
- ◆ Direcione sempre o cabo para a traseira, longe do aparelho.

**Atenção!** Se um cabo se danificar durante a utilização, desligue de imediato o aparelho da fonte de alimentação eléctrica. Não toque no cabo de alimentação antes de desligar da fonte de alimentação eléctrica.

- ◆ Não utilize solventes ou líquidos de limpeza para limpar o aparelho. Utilize uma raspadeira para remover a relva e a sujidade.
- ◆ Verifique regularmente o saco de recolha quanto a indícios de desgaste ou deterioração.
- ◆ As ventoinhas de substituição estão disponíveis no seu agente Black & Decker. Utilize apenas peças de substituição e acessórios recomendados pela Black & Decker.
- ◆ Mantenha todas as porcas, parafusos e pernos do aparelho apertados para assegurar um bom funcionamento.

## Segurança de terceiros

- Este aparelho pode ser utilizado por crianças com idade de 8 anos e superior e por pessoas que apresentem capacidades físicas, sensoriais ou mentais reduzidas ou que não possuam os conhecimentos e a experiência necessários, se forem vigiadas e instruídas acerca da utilização do aparelho de uma forma segura e entenderem os perigos envolvidos. As crianças não deverão mexer no aparelho. A limpeza e manutenção não deverão ser efectuadas por crianças sem supervisão.
- As crianças deverão ser vigiadas para que não mexam no aparelho.

## Segurança eléctrica



Este aparelho tem um isolamento duplo e, por isso, não é necessário um fio de terra. Verifique sempre se a fonte de alimentação corresponde à tensão indicada na placa de especificações.

- Se o cabo de alimentação estiver danificado, terá de ser substituído pelo fabricante ou por um centro de assistência autorizado Black & Decker para evitar acidentes.
- A segurança eléctrica pode ser melhorada mediante a utilização de um Dispositivo de Corrente Residual (RCD) de alta sensibilidade (30 mA).

## Utilizar um cabo de extensão

Utilize sempre um cabo de extensão aprovado e adequado para a potência desta ferramenta (ver dados técnicos). O cabo de extensão deve ser adequado para utilização ao ar livre e marcado em conformidade. Pode utilizar um cabo de extensão HO5V V-F de 1.5 mm<sup>2</sup> até 30 m sem perda do desempenho do aparelho. Antes da utilização, verifique se o cabo de extensão apresenta sinais de envelhecimento, danos ou desgaste. Substitua o cabo de extensão se este se encontrar danificado ou avariado. Quando utilizar um enrolador de cabo, desenrole sempre o cabo totalmente.

## Riscos residuais.

Podem surgir riscos residuais adicionais durante a utilização da ferramenta que poderão não constar nos avisos de segurança incluídos. Estes riscos podem resultar de má utilização, uso prolongado, etc. Mesmo com a aplicação dos regulamentos de segurança relevantes e com a implementação de dispositivos de segurança, alguns riscos residuais não podem ser evitados. Incluem:

- ferimentos causados pelo contacto com peças em rotação/movimento.
- ferimentos causados durante a troca de peças, lâminas ou acessórios.
- ferimentos causados pela utilização prolongada de uma ferramenta. Quando utilizar uma ferramenta por períodos prolongados, faça intervalos regulares.

- diminuição da audição.
- Os problemas de saúde causados pela inalação de poeiras resultantes da utilização da ferramenta (exemplo: trabalhos em madeira, especialmente carvalho, faia e MDF).

## Rótulos no Aparelho

A ferramenta apresenta os seguintes pictogramas:



**Atenção!** Leia o manual antes de colocar o aparelho em funcionamento.



Utilize óculos ou viseiras de protecção quando utilizar este aparelho.



Utilize protecções auditivas adequadas quando utilizar este aparelho.



Não exponha a ferramenta à chuva ou humidade elevada, nem a deixe no exterior.



Desligar: retire a ficha da tomada eléctrica antes de proceder à limpeza ou manutenção do aparelho.



Esteja atento à projecção de objectos.



Mantenha as outras pessoas afastadas.



Potência sonora garantida pela Directiva 2000/14/CE.

## Características

1. Controlo de velocidade variável
2. Grampo de cabo
3. Saco de recolha
4. Tubo de sopro superior
5. Tubo de sopro inferior
6. Tubo de aspiração superior
7. Tubo de aspiração intermédio
8. Tubo de aspiração inferior
9. Botão de desbloqueio do aspirador
10. Botão de desbloqueio do saco
11. Cabeça de potência
12. Manipulo secundário

## Montagem



**Atenção!** Antes da montagem, certifique-se de que o aparelho está desligado e que não está ligado à corrente eléctrica.



**Atenção!** Utilize sempre luvas de protecção ao trabalhar com o aspirador/soprador.

## Montagem do tubo do aspirador (fig.A)

Os tubos de aspiração devem ser montados em conjunto antes de serem utilizados.

**Atenção!** Não utilize o aparelho com os tubos de aspiração em separado.

- Para facilitar a montagem, aplique uma solução de água com sabão na área de junção.
- Alinhe os entalhes (13) e os triângulos (14) nos tubos de aspiração superior (6) e intermédio (7).
- Pressione o tubo de aspiração superior (6) com firmeza para dentro do tubo de aspiração intermédio (7) até que os triângulos emitam um som "clique" de encaixe.
- Alinhe os entalhes (13) e os triângulos (14) nos tubos de aspiração intermédio (7) e inferior (8).
- Pressione o tubo de aspiração intermédio (7) com firmeza para dentro do tubo de aspiração inferior (8) até que os triângulos emitam um som "clique" de encaixe.

**Atenção!** Não separe os tubos depois de serem montados.

## Montagem do manipulador secundário (fig. B) (Apenas GW3050)

- ◆ Pressione e mantenha premidos ambos os botões (15) laterais do manipulador.
- ◆ Faça deslizar o manipulador secundário (12) para a posição sobre os botões (15).

**Nota:** Certifique-se de que o botão cor-de-laranja se encontra do mesmo lado que o orifício grande do manipulador.

**Atenção!** Certifique-se de que os dentes do botão estão alinhados correctamente nas ranhuras do manipulador e de que o manipulador está bem preso.

## Ajustar a posição do manipulador secundário (fig. C) (Apenas GW3050)

O manipulador secundário (12) pode ser ajustado para fornecer maior equilíbrio e conforto.

- ◆ Pressione o botão (15) do lado esquerdo do manipulador.
- ◆ Rode o manipulador secundário (12) para a posição pretendida.
- ◆ Solte o botão (15).

**Atenção!** Certifique-se de que os dentes do botão estão alinhados correctamente nas ranhuras do manipulador e de que o manipulador está bem preso.

## Montagem do tubo de sopro (fig. D)

- ◆ Alinhe os 2 marcadores (16) da parte inferior do tubo de sopro superior (4) com os 2 marcadores (17) da parte inferior do tubo de sopro inferior (5).
- ◆ Pressione o tubo de sopro superior (4) com firmeza para dentro do tubo de sopro inferior (5) até que os triângulos emitam um som "clique" de encaixe.

**Atenção!** Não separe os tubos depois de serem montados.

## Colocar e remover o concentrador (fig. D)

- ◆ Faça deslizar o concentrador (30) com firmeza para dentro da parte inferior do tubo de sopro inferior (5). Fixe o concentrador prendendo a patilha (31) no gancho (32)
- ◆ Para o remover, levante o gancho (32) e faça deslizar o concentrador (8) para fora da parte inferior do tubo de sopro inferior (5).

## Colocar e remover o escafificador (fig. E) (Apenas GW3050 & GW2838)

- ◆ Posicione o escafificador (18) sobre o suporte (19) na parte inferior do tubo de sopro inferior (5).
- ◆ Empurre para baixo e deslize o escafificador (18) com firmeza em direcção ao suporte (19), até ouvir um som de encaixe.
- ◆ Para o remover, levante o botão de desbloqueio do escafificador (20) e faça deslizar o escafificador (18) para fora do suporte (19).

## Utilização

### Ligar e desligar (fig. F)

**Atenção!** Agarre o aparelho com firmeza quando o ligar.

- ◆ Para ligar o aparelho, rode o controlo de velocidade variável (1) no sentido dos ponteiros do relógio para a velocidade pretendida.
- ◆ Para desligar o aparelho, rode o controlo de velocidade variável (1) no sentido contrário ao dos ponteiros do relógio para a posição OFF.

### Grampo de fixação de cabo (fig. G)

Está incorporado um grampo de cabo (2) na traseira da cabeça de potência.

- ◆ Enrole o cabo (21) através do grampo do cabo (2).

### Utilização do aparelho

**Atenção!** Quando utilizar um aspirador ou soprador, utilize sempre óculos de protecção. Durante a utilização em ambientes com poeira, use uma máscara com filtro.

**Atenção!** Desligue o aparelho, deixe que a ventoinha pare e remova a ficha da tomada antes de fazer qualquer ajuste ou operação de manutenção.

### Modo de sopro (fig. H e I)

- ◆ Fixe a protecção da ventoinha (22) à cabeça de potência (11) seguindo a posição de montagem indicada pela seta e, em seguida, alinhando este ponto, pressione o botão de desbloqueio do aspirador (9) até a lingueta (23) ficar completamente encaixada. (fig. H)
- ◆ Alinhe o tubo de sopro montado com a cabeça de potência (11).
- ◆ Pressione o tubo de sopro montado para dentro da saída da aspiração (25) até a patilha de bloqueio encaixar firmemente no tubo de sopro.

**Atenção!** Nunca ligue o aparelho no modo de Sopro sem o tubo de sopro e a protecção da ventoinha correctamente colocados.

- ◆ Segure no tubo de sopro a cerca de 180 mm acima do chão, ligue o aparelho e, fazendo um movimento pendular, avance lentamente mantendo os detritos/folhas à sua frente (fig. I).
- ◆ Assim que juntar os detritos/folhas numa pilha, pode mudar para o modo de aspiração para recolher os detritos.

### Remover o tubo de sopro e a protecção da ventoinha

- ◆ Para desencaixar o tubo de sopro, pressione o botão de desbloqueio do saco (10) e retire o tubo, certificando-se de que não o deixa cair.

- ◆ Para desengançar a protecção da ventoinha (22), pressione o botão de desbloqueio do aspirador (9) e retire a protecção da ventoinha (22), certificando-se de que não a deixa cair.

### Modo de aspiração (fig. H, J e K)

**Nota:** Para aspirar/triturar, o saco de recolha (3) deve estar montado.

- ◆ Retire a protecção da ventoinha (22) pressionando o botão de desbloqueio do aspirador (9) e puxando a protecção da ventoinha (22) para fora, certificando-se de que não a deixa cair.
- ◆ Coloque o saco de recolha (3) na saída da aspiração (25), pressionando-o com firmeza até ouvir um som de encaixe.
- ◆ Fixe o tubo de aspiração montado à cabeça de potência (11) seguindo a posição de montagem indicada pela seta e, em seguida, alinhando este ponto, pressione o botão de desbloqueio do aspirador (9) até a lingueta ficar completamente encaixada.
- ◆ Coloque a correia do saco de recolha sobre o ombro (fig. K) para suportar melhor o peso adicional do saco à medida que fica mais cheio. Em alternativa, o saco de recolha pode ser encaixado no suporte (28 - fig. A) do tubo de aspiração superior (4) e a correia pode ser montada na cabeça de potência (11) com o gancho (29).
- ◆ Posicione o tubo de aspiração ligeiramente acima dos detritos/folhas. Ligue o aparelho e movimente-se como se estivesse a varrer; os detritos/folhas serão sugados pelo tubo, sendo triturados para dentro do saco de recolha (fig. K).
- ◆ À medida que o saco enche, a potência de sucção irá diminuir; desligue o aparelho e retire a ficha da tomada eléctrica.
- ◆ Abra o saco para esvaziar o conteúdo antes de continuar a utilização.

**Atenção!** Nunca remova o saco de recolha sem desligar o aparelho e retirar a ficha da tomada eléctrica.

**Nota:** Se a sucção diminuir e o saco não estiver cheio, o tubo de aspiração pode estar obstruído com detritos. Desligue o aparelho, retire a ficha da tomada eléctrica e desobstrua o tubo antes de continuar.

### Resolução de problemas

Problema	Solução possível
Erro de funcionamento	Verifique a ligação à corrente eléctrica.
	Verifique o fusível na ficha, se estiver fundido, substitua-o (apenas Reino Unido).
	Verifique se o tubo de aspiração/sopro está correctamente montado na cabeça de potência
	Se o fusível continuar fundido – desligue de imediato da corrente eléctrica e consulte o seu agente autorizado Black & Decker local.
Aspiração com pouca força/ruído agudo (silvo)	Desligue o aparelho e retire a ficha da tomada eléctrica, os detritos devem cair directamente no tubo.
	Remova e esvazie o saco de recolha.
	Verifique se as portas de entrada e saída no tubo de aspiração estão desimpedidas.
	Remova quaisquer detritos da área de ventilação.
	Se a aspiração continuar sem força – desligue de imediato o aparelho da corrente eléctrica e consulte o seu agente autorizado Black & Decker local.
Trituração deficiente	Desligue o aparelho, retire a ficha da tomada eléctrica e remova o saco de recolha.
	Remova o tubo de aspiração e inspecione a ventoinha.
	Limpe quaisquer detritos das lâminas de ventilação.
	Se a ventoinha estiver danificada ou partida, não a utilize - consulte o seu agente autorizado Black & Decker local.

### Manutenção

O seu aparelho Black & Decker foi concebido para funcionar por um longo período de tempo com uma manutenção mínima. Um funcionamento contínuo e satisfatório depende de uma manutenção adequada e da limpeza regular do aparelho.

- ◆ Mantenha o aparelho limpo e seco.
- ◆ Remova quaisquer folhas que estejam presas dentro do tubo de aspiração.
- ◆ Limpe regularmente os encaixes de ventilação com uma escova limpa e seca.
- ◆ Limpe regularmente o saco de recolha e certifique-se de que este é limpo e esvaziado após cada utilização.



- ◆ Para limpar o aparelho, utilize apenas sabão neutro e um pano húmido. Nunca deixe nenhum líquido entrar na ferramenta e nunca mergulhe nenhuma parte da ferramenta em líquido. Não utilize produtos de limpeza abrasivos ou à base de solventes.
- ◆ São utilizados rolamentos de lubrificação automática no aparelho; deste modo, a lubrificação não é necessária.

### Substituição da ficha de alimentação (apenas Reino Unido e Irlanda)

Se for necessário encaixar uma nova ficha de alimentação:

- ◆ Elimine com segurança a ficha antiga.
- ◆ Ligue o cabo castanho ao terminal electrificado na nova ficha.
- ◆ Ligue o cabo azul ao terminal neutro.

**Atenção!** Não é necessário efectuar qualquer ligação ao terminal de terra. Siga as instruções de montagem fornecidas com fichas de boa qualidade. Fusível recomendado: 13 A.

### Protecção do ambiente



Recolha separada. Este produto não pode ser eliminado juntamente com os resíduos domésticos normais.

Se, em algum momento, for necessário substituir este produto Black & Decker ou se este deixar de ter utilidade, não elimine o produto num caixote do lixo. Este produto pode ser separado para reciclagem.



A recolha separada de produtos e embalagens usados permite que os materiais sejam reciclados e reutilizados. A reutilização de materiais reciclados ajuda a evitar a poluição ambiental e reduz a procura de matérias-primas.

A legislação local poderá prever a recolha separada de produtos domésticos eléctricos, seja em lixeiras municipais ou através do revendedor quando adquire um produto novo.

A Black & Decker dispõe de instalações para recolha e reciclagem de produtos Black & Decker quando estes atingem o fim da vida útil. Para usufruir deste serviço, devolva o produto em qualquer agente de reparação autorizado, que os recolherá em seu nome.

Pode verificar a localização do agente de reparação autorizado mais perto de si, contactando os escritórios locais da Black & Decker através do endereço indicado neste manual. Se preferir, está disponível na Internet uma lista de agentes de reparação autorizados Black & Decker, com os contactos e detalhes completos do serviço pós-venda, no endereço: [www.2helpU.com](http://www.2helpU.com)

### Dados técnicos

		GW2810 GW2838 (Tipo 1)	GW3030 (Tipo 1)	GW3050 (Tipo 1)
Tensão de entrada	$V_{AC}$	230	230	230
Potência utilizada	W	2800	3000	3000
Capacidade	l	50	50	50
Peso (soprador)	mm	3.45	3.7	3.7
Peso (aspirador)	mm	4.85	4.85	4.85

Valores totais de vibração (soma de vectores triax) de acordo com EN 60745:

Vibração ( $a_{h1}$ ) 9.8  $m/s^2$ , imprecisão (K) 1.5  $m/s^2$

**Declaração de conformidade CE**DIRECTIVA PARA MÁQUINAS  
DIRECTIVA DE RUIDO AMBIENTE

GW2810 GW2838, GW3030, GW3050

A Black & Decker declara que os produtos descritos em "dados técnicos" estão em conformidade com as seguintes normas:

2006/42/CE, EN 60335

2000/14/CE, Aspirador/Soprador, Anexo V  
KEMA Quality B.V., Utrechtseweg 310, 6802 ED Arnhem,  
Países Baixos  
Notified Body ID No.: 0344

Nível de potência acústica em conformidade com 2000/14/CE  
(Artigo 13, Anexo III):

 $L_{WA}$  (potência acústica medida) 104 dB(A)

Imprecisão = 3 dB(A)

 $L_{WA}$  (potência sonora garantida) 107 dB(A)

Imprecisão = 3 dB(A)

Estes produtos estão também em conformidade com as  
Directivas  
2004/108/CE e 2011/65/UE.

Para obter mais informações, contacte a Black & Decker no endereço indicado ou consulte a parte posterior do manual. O signatário é responsável pela compilação do ficheiro técnico e efectua esta declaração em nome da Black & Decker.

Kevin Hewitt  
Vice-Presidente, Engenharia Global  
Black & Decker Europe, 210 Bath Road, Slough,  
Berkshire, SL1 3YD  
Reino Unido  
10/04/2013

**Garantia**

A Black & Decker confia na qualidade dos seus produtos e oferece uma garantia excelente. Esta declaração de garantia é um complemento dos seus direitos estabelecidos por lei, não os prejudicando de forma alguma. A garantia é válida nos territórios dos Estados Membros da União Europeia e da Associação Europeia de Comércio Livre.

Se um produto Black & Decker avariar devido a defeitos de material, fabrico ou não conformidade, num período de 24 meses após a data da compra, a Black & Decker garante a substituição das peças defeituosas, a reparação de produtos sujeitos a um desgaste aceitável ou a substituição dos mesmos para garantir o mínimo de inconvenientes ao cliente, excepto se:

- ◆ o produto tiver sido utilizado para fins comerciais, profissionais ou de aluguer;
- ◆ o produto tiver sido submetido a utilização indevida ou negligência;
- ◆ o produto tiver sido danificado por objectos ou substâncias estranhas, bem como acidentes;
- ◆ tiverem sido tentadas reparações por pessoas que não sejam agentes de reparação autorizados ou técnicos de manutenção da Black & Decker.

Para accionar a garantia, terá de apresentar comprovativos de compra ao vendedor ou a um agente de reparação autorizado. Pode verificar a localização do agente de reparação autorizado mais perto de si, contactando os escritórios locais da Black & Decker através do endereço indicado neste manual. Se preferir, está disponível na Internet uma lista de agentes de reparação autorizados Black & Decker, com os contactos e detalhes completos do serviço pós-venda, no endereço: [www.2helpU.com](http://www.2helpU.com)

Visite o nosso website [www.blackanddecker.pt](http://www.blackanddecker.pt) para registar o novo produto Black & Decker e manter-se actualizado relativamente a novos produtos e ofertas especiais. Pode encontrar mais informações sobre a marca Black & Decker e nossa gama de produtos em [www.blackanddecker.pt](http://www.blackanddecker.pt)

## Användningsområde

Denna lövblås från Black & Decker är konstruerad för lövborttagning. Den här apparaten är endast avsett som konsumentverktyg för utomhusbruk.

## Allmänna säkerhetsanvisningar för apparaten



**Varning!** Vid användning av nätdrivna och sladdlösa apparater ska grundläggande säkerhetsföreskrifter, inklusive följande föreskrifter, alltid följas. Detta för att förhindra brand, stötar, personskador och materialskador.

- Läs hela bruksanvisningen noggrant innan du använder apparaten. Bekanta dig med reglagen och ta reda på hur apparaten ska användas.
- Användningsområdet beskrivs i den här bruksanvisningen. Om du använder andra tillbehör eller tillsatser eller utför andra åtgärder med apparaten än de som rekommenderas i den här bruksanvisningen kan det leda till personskador.

Begreppet "apparat" som använts i alla varningar nedan syftar på nätdrivna apparater (med nätsladd) eller batteridrivna (sladdlösa) apparater.

## Spara alla säkerhetsföreskrifter och anvisningar för framtida bruk.

## Använda apparaten

- **Var alltid försiktig när du använder apparaten.**
- Håll arbetsområdet rent och väl upplyst. Oordning och dålig belysning på arbetsplatsen kan leda till olyckor.
- Använd endast apparaten i dagsljus eller i tillräcklig artificiell belysning.

- För att undvika explosionsrisk bör du inte använda apparaten i omgivningar med brandfarliga vätskor, gaser eller damm.
- Låt aldrig barn eller personer som inte har läst instruktionerna använda apparaten. Det kan finnas lokala bestämmelser om åldersgräns för användaren.
- Låt inte barn eller djur komma i närheten av arbetsområdet. Låt dem inte heller röra vid apparaten eller elsladden.
- När du arbetar med apparaten ska barn, åskådare och djur hållas på betryggande avstånd. Om du störs kan du förlora kontrollen.
- Apparaten ska inte användas som leksak.
- Doppa aldrig apparaten i vatten.
- Öppna inte höljet. Det finns inga delar som kan repareras inuti.

## Personlig säkerhet

- Var uppmärksam, se på vad du gör och använd apparaten med förnuft. Använd inte en apparat när du är trött eller om du är påverkad av droger, alkohol eller mediciner. Även en kort stunds ouppmärksamhet under användningen kan leda till allvarliga kroppsskador.
- Använd personlig skyddsutrustning där det krävs. Rätt använd personlig skyddsutrustning, t.ex. skyddsglasögon, dammfiltermask, halkfria säkerhetsskor, hjälm och hörselskydd, minskar risken för kroppsskada.

- Undvik oavsiktlig igångsättning. Se till att strömbrytaren står i avstängt läge innan ansluter apparaten till elnätet eller sätter i batteriet samt innan du tar upp eller bär den. Olyckor kan inträffa om du bär apparaten med fingret på strömbrytaren eller kopplar den till nätet eller sätter i batteriet med strömbrytaren i till-läge.
- Sträck dig inte för långt. Se till att du alltid har säkert fotfäste och balans. På så sätt kan du lättare kontrollera apparaten i oväntade situationer.
- Bär lämpliga kläder. Bär inte löst hängande kläder eller smycken. Håll undan hår, kläder och handskar från rörliga delar. Löst hängande kläder, smycken och långt hår kan dras in av roterande delar.
- Dra stickkontakt ur vägguttaget och/ eller ta ur batteriet ur apparaten innan inställningar utförs, tillbehör delar byts eller apparaten ställs undan. Därmed undviker du risken för oavsiktlig igångsättning av apparaten.
- Håll skärverktyg (där det finns) skarpa och rena. Omsorgsfullt skötta skärverktyg med skarp egg fastnar inte så lätt och går lättare att styra.
- Använd inte apparaten om någon del har skadats eller gått sönder.
- Låt en auktoriserad verkstad reparera eller byta ut skadade eller trasiga delar.
- Försök aldrig ta bort eller byta ut andra delar än de som anges i den här bruksanvisningen.

## Elsäkerhet

### Bruk och skötsel av apparaten

- Kontrollera att apparaten är hel och att den inte innehåller några skadade delar innan du använder den. Kontrollera att inga delar är trasiga, att strömbrytaren fungerar och att inget annat föreligger som kan påverka apparatens funktion.
- Använd inte apparaten om den inte kan startas och stängas av med strömbrytaren. En apparat som inte kan slås av och på är farlig och måste repareras.
- Apparaten stickkontakt måste passa till vägguttaget. Stickkontakten får absolut inte ändras. Använd inte adapterkontakter tillsammans med jordade apparater. Med oförändrade stickkontakter och passande vägguttag minskas risken för elstötar.
- Skydda apparaten mot regn och väta. Om vatten tränger in en apparat ökar risken för elektriska stötar.
- Var försiktig med nätsladden. Använd inte sladden för att bära eller dra apparaten och inte heller för att dra ut kontakten ur vägguttaget. Håll nätsladden borta från värme, olja, skarpa kanter och rörliga maskindelar. Risken att du får en elstöt är större om sladdarna är skadade eller tilltrasslade.

- använd endast förlängningssladdar som är godkända för utomhusbruk när du arbetar med apparater utomhus. Om du använder en förlängningssladd som är avsedd för utomhusbruk minskar risken för att du ska få en elstöt.
- Om du måste använda en apparat på en fuktig plats ska ett uttag som skyddas av jordfelsbrytare användas. Jordfelsbrytaren minskar risken för stötar.

## Efter användning

- När apparaten inte används ska den förvaras på en torr plats med god ventilation och utom räckhåll för barn.
- Placera redskapet på ett ställe där barn inte kan komma åt det.
- När apparaten förvaras eller transporteras i en bil, ska den placeras i bagageutrymmet eller spännas fast för att förhindra rörelse till följd av plötsliga ändringar i hastighet eller riktning.

## Service

- Apparaten ska bara repareras av utbildade reparatörer och med originalreservdelar. Då vet du att apparaten förblir säker.

## Ytterligare säkerhetsföreskrifter för lövblåsar

Användningsområdet beskrivs i den här bruksanvisningen. Om andra tillbehör eller tillsatser används eller om någon annan åtgärd än de som rekommenderas i den här bruksanvisningen utförs med apparaten kan personer och/eller egendom skadas.

- Skydda fötter och ben när du använder apparaten genom att alltid bära kraftiga skor och långbyxor.
- Se alltid till att sugtub och uppsamlare är monterade innan du använder sugfunktionen.
- Slå alltid av produkten, låt fläkten stanna och dra kontakten ur uttaget om:
  - Du byter från blås- till sugfunktion.
  - Strömkabeln har skadats eller trasslat till sig.
  - Du lämnar produkten utan tillsyn.
  - Du tar bort ett stopp.
  - Du kontrollerar, justerar, rengör eller utför andra reparationsarbeten på produkten.
  - Apparaten börjar vibrera på ett onormalt sätt.
- Ha inte insugnings- eller utblåsningshålet i närheten av ögon eller öron när apparaten används. Blås aldrig skräp mot någon.
- Apparaten bör inte användas när det regnar eller lämnas utomhus när det regnar.

- ♦ Gå inte över grusgångar eller grusvägar när produkten är påslagen eller när du använder blås- eller sugfunktionen. Gå med produkten. Spring aldrig.
- ♦ Lagg inte enheten på grus medan den är påslagen.
- ♦ Se alltid till så att du har ett bra fotfäste och var särskilt försiktig när marken sluttar. Sträck dig inte för långt och håll alltid balansen.
- ♦ Samla inte upp material som kan innehålla antändningsbara eller brännbara vätskor, t.ex. bensin, och använd inte apparaten i områden där sådana kan finnas.
- ♦ Stoppa inte in några föremål i öppningarna. Använd aldrig apparaten om öppningarna är blockerade. Håll borta hår, ludd, damm och annat som kan minska luftflödet.

**Varning!** Använd alltid produkten på det sätt som beskrivs i den här handboken. Produkten är avsedd att användas i upprätt läge. Om den används på något annat sätt kan det orsaka personskador. Använd aldrig produkten om den ligger på sidan eller upp och ned.

- ♦ Användaren ansvarar för olyckor och risker som andra människor eller deras egendom utsätts för.
- ♦ Bär inte apparaten i sladden.
- ♦ Håll alltid sladden riktad bakåt, bort från apparaten.

**Varning!** Om en sladd skadas när du använder apparaten kopplar du omedelbart bort sladden från elnätet. Rör inte vid sladden innan du har dragit ut den ur uttaget.

- ♦ Använd inte lösnings- eller rengöringsmedel när du rengör produkten. Ta bort gräs och smuts från apparaten med ett trubbigt skrapverktyg.
- ♦ Kontrollera ofta att uppsamlaren inte är utsliten eller har skadats.
- ♦ Nya fläktar finns att köpa hos Black & Decker-återförsäljare. Använd endast reservdelar och tillbehör som rekommenderas av Black & Decker.
- ♦ För säker användning av redskapet ska du se till att alla muttrar, bultar och skruvar är ordentligt åtdragna.

## Säkerhet för andra

- ♦ Apparaten kan användas av barn från åtta år och personer med nedsatt fysisk eller psykisk förmåga eller bristande erfarenhet eller kunskap, om de får lämplig vägledning och är medvetna om riskerna. Barn ska inte leka med apparaten. Rengöring och användarunderhåll ska inte utföras av barn utan övervakning.
- ♦ Barn ska hållas under uppsikt så att de inte leker med apparaten.

## Elsäkerhet



Eftersom apparaten är dubbelisolerad behövs ingen jordledare. Kontrollera alltid att nätspänningen överensstämmer med värdet på typskylten.

- ♦ Om nätsladden är skadad måste den bytas ut av tillverkaren eller en auktoriserad Black & Decker-verkstad för att undvika farliga situationer.
- ♦ Elsäkerheten kan förbättras ytterligare genom att man använder en jordfelsbrytare med hög känslighet (30 mA).

## Använda förlängningssladd

Använd alltid en godkänd förlängningssladd som klarar verktygets ineffekt (se Tekniska data). Förlängningssladden måste vara lämplig för utomhusbruk och märkt därefter. Det går att använda en 1.5 mm<sup>2</sup> HO5V V-F-förlängningssladd som är upp till 30 m lång utan spänningsförlust. Innan du använder sladden kontrollerar du att den inte är skadad, sliten eller nött. Byt ut förlängningssladden om den är skadad eller defekt. När du använder en sladdvinda ska du alltid dra ut hela sladden.

## Övriga risker.

Ytterligare risker som inte finns med i de bifogade säkerhetsföreskrifterna kan uppstå när verktyget används. Dessa risker kan uppstå vid felaktig användning, långvarig användning, o.s.v. Även om alla relevanta säkerhetsanvisningar följs och säkerhetsanordningar används kan vissa ytterligare risker inte undvikas. Dessa innefattar:

- ♦ Skador orsakade av att roterande/rörliga delar vidrörs.
- ♦ Skador som uppstår vid byte av delar, blad eller tillbehör.
- ♦ Skador som orsakas av långvarig användning av ett verktyg. Se till att ta regelbundna raster när du använder ett verktyg under en längre period.
- ♦ Skador på hörseln.
- ♦ Hälsorisker orsakade av inandning av damm när verktyget används (exempel: arbete med trä, särskilt ek, bok och MDF).

## Etiketter på apparaten

Följande symboler finns på verktyget:



**Varning!** Läs bruksanvisningen innan du använder apparaten.



Bär alltid skyddsglasögon när du använder redskapet.



Bär alltid hörselskydd när du använder apparaten.



Exponera inte redskapet för regn eller hög luftfuktighet och lämna det inte utomhus när det regnar.



Stäng av: dra ut kontakten ur nätuttaget före rengöring eller underhåll.



Se upp för flygande föremål.



Håll åskådare borta.



Garanterad ljudnivå enligt direktiv 2000/14/EG.

## Funktioner

1. Variabel hastighet
2. Sladdhållare
3. Uppsamlare
4. Övre blåstüb
5. Nedre blåstüb
6. Övre sugtüb
7. Mittrę sugtüb
8. Nedre sugtüb
9. Frigöringsknapp
10. Frigöringsknapp för påse
11. Motorhuvud
12. Extrahandtag

## Montering



**Varning!** Se till att redskapet är avstängt samt att det inte är nätslutet innan du påbörjar monteringen.



**Varning!** Använd alltid skyddshandskar när du arbetar med lövblåsen.

## Sätta ihop sugtübę (fig. A)

Sugtübarna måste sättas ihop innan du använder apparaten.

**Varning!** Använd inte apparaten om sugtübarna inte är hopsatta.

- ◆ Underlätta hopsättningen genom att stryka tvålvattenlösning på fogområdet.
- ◆ Passa in skårorna (13) och trianglarna (14) på den övre (6) och den mittrę (7) sugtübę mot varandra.
- ◆ Tryck in den övre sugtübę (6) ordentligt i den mittrę sugtübę (7) tills trianglarna klickar på plats.
- ◆ Passa in skårorna (13) och trianglarna (14) på den mittrę (7) och den nedre (8) sugtübę mot varandra.
- ◆ Tryck in den mittrę sugtübę (7) ordentligt i den nedre sugtübę (8) tills trianglarna klickar på plats.

**Varning!** Ta inte isär tuberna när de har satts ihop.

## Sätta fast handtaget på redskapet (fig. B) (endast GW3050)

- ◆ Tryck in och håll ned båda knapparna (15) på sidan av handtagsfäste.
- ◆ Skjut extrahandtaget (12) på plats över knapparna (15).

**Obs!** Se till att den orange knappen är på samma sida som det stora hålet i handtaget.

**Varning!** Se till att tänderna på knappen är rätt inpassade i handtagsöppningar samt att handtaget sitter fast ordentligt.

## Justera extrahandtagsläge (fig. C) (endast GW3050)

Extrahandtaget (12) kan justeras för att ge optimal balans och komfort.

- ◆ Tryck in knappen (15) på handtagsvänstra sida.
- ◆ Roter extrahandtaget (12) till önskat läge.
- ◆ Släpp upp knappen (15).

**Varning!** Se till att tänderna på knappen är rätt inpassade i handtagsöppningar samt att handtaget sitter fast ordentligt.

## Sätta ihop blåstübę (fig. D)

- ◆ Rikta in de två markeringarna (16) nedtill på den övre blåstübę (4) och de två markeringarna (17) nedtill på den nedre blåstübę (5).
- ◆ Tryck in den övre blåstübę (4) ordentligt i den nedre sugtübę (5) tills de klickar på plats.

**Varning!** Ta inte isär tuberna när de har satts ihop.

## Montera och ta bort koncentratorn (fig. D)

- ◆ Skjut dit koncentratorn (30) ordentligt på nederdelen av den nedre blåstübę (5). Lås fast koncentratorn genom fästa filken (31) i fästet (32)
- ◆ Vid borttagning lyfts fästet (32) och koncentratorn (8) dras bort från nederdelen av den nedre blåstübę (5).



## Montera och ta bort krattan (fig. E) (endast GW3050 & GW2838)

- ◆ Placera krattan (18) ovanför fästet (19) på nederdelen av den nedre blåstuben (5).
- ◆ Tryck ned och skjut dit krattan (18) ordentligt på fästet (19) tills den klickar på plats.
- ◆ Vid borttagning lyfts krattans låsning (20) och krattan (18) dras bort från fästet (19).

## Användning

### Slå på och av (fig. F)

**Varning!** Håll apparaten stadigt med båda händerna när du slår på den.

- ◆ Du slår på den genom att vrida det varierbara hastighetsreglaget (1) medurs till önskad inställning.
- ◆ Du stänger av den genom att vrida det varierbara hastighetsreglaget (1) moturs till avstängt läge.

### Sladdhållare (fig. G)

En sladdhållare (2) sitter på baksidan av motorhuvudet.

- ◆ Dra sladden (21) genom sladdhållaren (2).

### Använda produkten

**Varning!** Bär alltid skyddsglasögon när du använder blås- eller sugfunktionen. Bär en skyddsmask när du arbetar i dammiga miljöer.

**Varning!** Slå alltid av produkten, låt fläkten stanna och dra kontakten ur uttaget innan du gör justeringar eller utför service eller underhåll.

### Blåsfunktion (fig. H och I)

- ◆ Fäst fläkthöljet (22) vid motorhuvudet (11) genom att placera det som pilen visar. Vrid därefter runt den här punkten och tryck på frigöringsknappen (9) tills spärren (23) hakar i ordentligt. (fig. H)
- ◆ Rikta in den hopsatta blåstuben mot motorhuvudet (11).
- ◆ Tryck in den hopsatta blåstuben i utblåsningshålet (25) tills låsanordningen fäster blåstuben ordentligt.

**Varning!** Se till att blåstuben och fläkthöljet är korrekt monterade innan du använder blåsfunktionen.

- ◆ Håll blåstuben cirka 180 mm ovanför marken, slå på apparaten och rör den från sida till sida med en svepande rörelse. Gå sakta framåt och håll det hopsamlade skräpet eller löven framför dig (fig. I).
- ◆ När du har blåst ihop allt i en hög kan du växla till sugfunktionen och samla upp skräpet/löven.

### Ta bort blåstuben och fläkthöljet

- ◆ Du lossar blåstuben genom att trycka på frigöringsknappen (10) och lossa tuben samtidigt som du ser till att tuben inte faller ned på marken.

- ◆ Du lossar fläkthöljet (22) genom att trycka på frigöringsknappen (9) och dra bort fläkthöljet (22) samtidigt som du ser till att fläkthöljet inte faller ned på marken.

### Sugfunktion (fig. H, J och K)

**Obs!** För uppsugning/rivning måste uppsamlaren (3) monteras.

- ◆ Ta bort fläkthöljet (22) genom att trycka på frigöringsknappen (9) och dra bort fläkthöljet (22) samtidigt som du ser till att fläkthöljet inte faller ned på marken.
- ◆ Anslut uppsamlaren (3) till utblåsningshålet (25) genom att trycka dit den tills den klickar fast.
- ◆ Fäst den hopsatta sugtuben vid motorhuvudet (11) genom att placera den som pilen visar. Vrid därefter runt den här punkten och tryck på frigöringsknappen (9) tills spärren hakar i ordentligt.
- ◆ Placera remmen från uppsamlaren över din axel (fig. K). Det ger stöd för den extra vikten när uppsamlaren fylls. Ett alternativ är att hänga uppsamlaren på fästet (28 – fig. A) på den övre sugtuben (4) och fästa remmen på motorhuvudets (11) krok (29).
- ◆ Håll sugtuben en bit ovanför skräpet/löven. Slå på apparaten och gör en svepande rörelse. Skräpet/löven sugas upp i tuben, rivs sönder och hamnar sedan i uppsamlaren (fig. K).
- ◆ När uppsamlaren fylls upp minskar sugkraften. Stäng av apparaten och koppla bort den från nätuttaget.
- ◆ Öppna dragkedjan och töm påsen innan du fortsätter.

**Varning!** Ta aldrig bort uppsamlaren utan att först stänga av apparaten och koppla bort den från nätuttaget.

**Obs!** Om sugkraften minskar och uppsamlaren inte är full är troligen sugtuben igensatt av skräp. Stäng av apparaten och dra ut nätsladden och rensa tuben innan du fortsätter.

### Felsökning

Problem	Möjlig lösning
Apparaten fungerar inte	Kontrollera anslutningen till strömkällan.
	Kontrollera säkringen i kontakten, och om den har gått, byt ut den (endast Storbritannien).
	Kontrollera att blås-/sugtuben är korrekt monterad på motorhuvudet
	Om säkringen fortsätter att gå kopplar du omedelbart bort apparaten från nätuttaget och kontaktar den lokala, auktoriserade Black & Decker-verkstaden.

Problem	Möjlig lösning
Apparaten suger dåligt/ högt, vinande ljud	Stäng av apparaten och koppla bort från nätuttaget. Skräpet bör falla ut ur tuben.
	Ta bort och töm uppsamlaren.
	Kontrollera att både ingången och utgången på sugtuben är fria från skräp.
	Avlägsna allt skräp runt fläkten.
Rivningen fungerar dåligt	Om apparaten fortsätter att suga dåligt kopplar du omedelbart bort apparaten från nätuttaget och kontaktar en behörig Black & Decker-reparatör.
	Stäng av apparaten och koppla bort den från nätuttaget. Ta bort uppsamlaren.
	Ta bort sugtuben och undersök fläkten.
	Avlägsna allt skräp från fläktbladen.
	Om fläkten har sprickor eller är skadad på annat sätt ska du inte använda apparaten. Kontakta en behörig Black & Decker-reparatör.

## Miljö



Separat insamling. Produkten får inte kastas i hushållssoptorna.

Tänk på miljön när du slänger denna Black & Decker-produkt. Släng den inte tillsammans med hushållsavfallet. Lämnar produkten för separat insamling.



Insamling av uttjänta produkter och förpackningsmaterial gör att material kan återanvändas. Användning av återvunnet material minskar föroreningar av miljön och behovet av råmaterial.

Lokala föreskrifter kan kräva separat insamling av elprodukter från hushållen, vid kommunala samlingsplatser eller hos återförsäljaren när du köper en ny produkt.

Black & Decker samlar in och återvinner uttjänta Black & Decker-produkter. Om du vill utnyttja denna tjänst återlämnar du produkten till en auktoriserad verkstad, som samlar in den för vår räkning.

För information om närmaste auktoriserade verkstad, kontakta det lokala Black & Decker-kontoret på den adress som är angiven i bruksanvisningen. En lista över alla auktoriserade Black & Decker-verkstäder samt fullständiga servicevillkor och kontaktuppgifter finns på Internet: [www.2helpU.com](http://www.2helpU.com)

## Underhåll

Denna Black & Decker-apparat är konstruerad för att fungera under lång tid med ett minimum av underhåll. Med rätt underhåll och regelbunden rengöring behåller apparaten sina prestanda.

- ◆ Håll apparaten ren och torr.
- ◆ Ta bort löv som har fastnat inuti sugtuben.
- ◆ Rengör regelbundet ventilationsöppningarna med en ren och torr målarborste.
- ◆ Rengör uppsamlaren regelbundet och se till att den är ren och tom efter varje användning.
- ◆ Använd bara mild tvål och en fuktig trasa för att rengöra redskapet. Låt aldrig någon vätska komma in i verktyget och doppa det aldrig i någon vätska. Använd aldrig rengöringsmedel med lösnings- eller slipmedel.
- ◆ Produkten har självsmörjande lager så ingen smörjning krävs.

## Byte av nätkontakt (endast Storbritannien och Irland)

Byt kontakten på följande sätt:

- ◆ Gör dig av med den gamla kontakten på lämpligt sätt.
- ◆ Anslut den bruna ledningen till den strömförande anslutningen i den nya kontakten.
- ◆ Anslut den blå ledningen till den icke strömförande anslutningen.

**Varning!** Anslut inte till jordanslutningen. Följ monteringsanvisningarna som medföljer kontakter av god kvalitet. Rekommenderad säkring: 13 A.

## Tekniska data

		GW2810 GW2838 (Typ 1)	GW3030 (Typ 1)	GW3050 (Typ 1)
Inspänning	$V_{AC}$	230	230	230
Ineffekt	W	2800	3000	3000
Kapacitet	l	50	50	50
Vikt (blås)	mm	3.45	3.7	3.7
Vikt (sug)	mm	4.85	4.85	4.85

Totala vibrationsvärden (vektorsumman av tre axlar) enligt EN 60745:

Vibration ( $a_{hv}$ ) < 9.8 m/s<sup>2</sup>, osäkerhet (K) 1.5 m/s<sup>2</sup>

**EG-deklaration om överensstämmelse**

MASKINDIREKTIV  
BULLERFÖRESKRIFTER, UTMOMHUS



GW2810 GW2838, GW3030, GW3050

Black & Decker garanterar att produkterna som beskrivs under  
"Tekniska data" uppfyller:  
2006/42/EG, EN 60335

2000/14/EG, Lövbåls, Bilaga V  
KEMA Quality B.V., Utrechtseweg 310, 6802 ED Arnhem,  
Nederländerna  
Anmält organ, ID-nr: 0344

Akustisk effekt enligt 2000/14/EG  
(Article 13, Annex III):

$L_{WA}$  (uppmätt ljudnivå) 104 dB(A)  
Osäkerhet = 3 dB(A)

$L_{WA}$  (garanterad ljudnivå) 107 dB(A)  
Osäkerhet = 3 dB(A)

De här produkterna överensstämmer även med direktiven  
2004/108/EG och 2011/65/EU.

Mer information får du genom att titta i slutet av bruksanvisningen eller genom att kontakta Black & Decker på följande adress.

Undertecknad är ansvarig för sammanställningen av tekniska data och gör denna försäkran för Black & Decker.

Kevin Hewitt  
Vice-President Global Engineering  
Black & Decker Europe, 210 Bath Road, Slough,  
Berkshire, SL1 3YD  
Storbritannien  
10/04/2013

**Garanti**

Black & Decker garanterar att produkten är fri från material- och/eller fabriktionsfel vid leverans till kund. Garantin gäller utöver konsumentens rättigheter enligt lag och påverkar inte dessa. Garantin gäller inom medlemsstaterna i Europeiska Unionen och i det Europeiska Frihandelsområdet.

Om en Black & Decker-produkt går sönder på grund av material- och/eller fabriktionsfel eller brister i överensstämmelse med specifikationen, inom 24 månader från köpet, åtar sig Black & Decker att reparera eller byta ut produkten med minsta besvär för kunden, förutom om:

- ◆ Produkten har använts i kommersiellt eller yrkesmässigt syfte eller i uthyringssyfte.
- ◆ Produkten har utsatts för felaktig användning eller skötsel.
- ◆ Produkten har skadats av främmande föremål, ämnen eller genom olyckshändelse.
- ◆ Reparation har utförts av någon annan än en auktoriserad Black & Decker-verkstad.

Vid garantianspråk ska produkten och inköpskvittot lämnas till återförsäljaren eller till en auktoriserad verkstad. För information om närmaste auktoriserade verkstad, kontakta det lokala Black & Decker-kontoret på den adress som är angiven i bruksanvisningen. En lista över alla auktoriserade Black & Decker-verkstäder samt fullständiga servicevillkor och kontaktuppgifter finns på Internet: [www.2helpU.com](http://www.2helpU.com)

Besök vår webbplats [www.blackanddecker.se](http://www.blackanddecker.se) för att registrera din nya Black & Decker-produkt samt för att erhålla information om nya produkter och specialerbjudanden. Vidare information om märket Black & Decker och vårt produktsortiment återfinns på [www.blackanddecker.se](http://www.blackanddecker.se)

## Bruksområde

Denne løvsamleren fra Black & Decker er konstruert for å fjerne løv. Dette verktøyet er bare beregnet som konsumentverktøy og bare til utendørs bruk.

## Generelle sikkerhetsadvarsler for apparater



**Advarsel!** Ved bruk av nettdrevne/batteridrevne apparater må grunnleggende sikkerhetsforhold-sregler (inkludert punktene som er beskrevet nedenfor) alltid følges for å redusere risikoen for brann, elektrisk støt, personskade og skade på materiell.

- ♦ Les hele denne håndboken nøye før du bruke apparatet og gjør deg kjent med betjeningen og riktig bruk av apparatet.
- ♦ Beregnet bruk er beskrevet i denne håndboken. Hvis du bruker annet tilbehør, kobler til annet utstyr eller bruker dette apparatet til andre oppgaver enn det som er anbefalt i denne håndboken, kan det føre til fare for personskade.

Begrepet "apparat" i alle advarslene som er oppgitt nedenfor, gjelder nettdrevet apparat (med ledning) eller batteridrevet apparat (uten ledning).

## Ta vare på alle advarsler og instruksjoner for fremtidig bruk.

### Bruke apparatet

- ♦ **Vær alltid forsiktig når du bruker apparatet.**
- ♦ Hold arbeidsområdet rent, og ha godt lys der. Rotete eller mørke områder kan lett føre til ulykker.
- ♦ Bruk apparatet bare i dagslys eller godt kunstig lys.

- ♦ Ikke bruk apparatet i eksplosjonsfarlige omgivelser, som for eksempel der det befinner seg brennbare væsker, gass eller støv.
- ♦ La aldri barn eller personer som ikke kjenner instruksjonene, bruke apparatet. Lokale bestemmelser kan begrense alderen til brukeren.
- ♦ Pass på at barn og dyr ikke kommer i nærheten av arbeidsområdet, og at de ikke berører apparatet eller strømledningen.
- ♦ Hold barn, andre personer og dyr unna når du bruker apparatet. Hvis du blir forstyrret under arbeidet, kan du miste kontrollen.
- ♦ Apparatet skal ikke brukes som leketøy.
- ♦ Ikke senk apparatet ned i vann.
- ♦ Ikke åpne apparathuset. Det er ingen deler inni som brukere skal behandle.

## Personsikkerhet

- ♦ Vær oppmerksom, pass på hva du gjør, og gå fornuftig frem når du bruker et apparat. Ikke bruk et apparat når du er trett eller er påvirket av narkotika, alkohol eller medikamenter. Et øyeblikks uoppmerksomhet under bruk av verktøyet kan føre til alvorlige personskader.
- ♦ Bruk personlig verneutstyr når det er nødvendig. Verneutstyr som beskyttelsesbriller, støvmaske, sklisikre vernesko, hjelm eller hørselsvern som passer til forholdene, reduserer risikoen for personskader.

- Forhindre utilsiktet start. Kontroller at bryteren står i posisjon "av" før du kobler til en strømkilde og/eller batteripakke, og før du tar opp eller bærer apparatet. Det kan føre til ulykker hvis du bærer apparater med fingeren på bryteren, eller tilfører strøm til apparater når bryteren står på.
- Ikke strekk deg for langt. Pass på at du alltid har sikkert fotfeste og god balanse. Da kan du kontrollere apparatet bedre i uventede situasjoner.
- Bruk alltid egnede klær. Ikke bruk løstsittende klær eller smykker. Hold hår, klær og hansker unna bevegelige deler. Løstsittende tøy, smykker eller langt hår kan bli sittende fast i bevegelige deler.
- Hold skjæreverktøy skarpe og rene der det er aktuelt. Godt vedlikeholdte skjæreverktøy med skarpe egger setter seg ikke så ofte fast og er lettere å føre.
- Ikke bruk apparatet hvis noen del er skadet eller defekt.
- Overlat reparasjon eller utskifting av skadde eller defekte deler til et autorisert serviceverksted.
- Forsøk aldri å fjerne eller skifte ut andre deler enn dem som er oppgitt i denne håndboken.

## Elektrisk sikkerhet

### Bruk og behandling av apparater

- Kontroller at apparatet ikke er skadet eller har defekte deler før du bruker det. Kontroller om noen av delene har sprekker, om bryterne er skadet, eller om det er andre forhold som kan ha innvirkning på bruken.
- Ikke bruk apparatet hvis det ikke kan slås på og av med bryteren. Et apparat som ikke kan slås på eller av med bryteren, er farlig og må repareres.
- Trekk støpselet ut av stikkontakten og/eller koble batteripakken fra apparatet før du utfører innstillinger, bytter tilbehør eller oppbevarer apparatet. Disse forebyggende sikkerhetstiltakene reduserer risikoen for utilsiktet start av apparatet.
- Apparatstøpselet må passe i stikkontakten. Støpselet må ikke forandres på noen som helst måte. Ikke bruk adapterstøpsler sammen med jodede apparater. Bruk av originale støpsler og passende stikkontakter reduserer risikoen for elektrisk støt.
- Hold apparatet unna regn eller fuktighet. Dersom det kommer vann inn i et apparat, øker faren for elektrisk støt.
- Unngå uforsvarlig behandling av ledningen. Bruk aldri ledningen til å bære eller trekke apparatet eller til å trekke ut støpselet. Hold ledningen unna varme, olje, skarpe kanter eller bevegelige deler. Skadde eller sammenflokede ledninger øker risikoen for elektrisk støt.

- Når du arbeider utendørs med et apparat, må du bruke en skjøteledning som er egnet for utendørs bruk. Når du bruker en skjøteledning som er egnet for utendørs bruk, reduseres risikoen for elektrisk støt.
- Hvis du ikke kan unngå å bruke et apparat på et fuktig sted, bruker du strømforsyning som er beskyttet med jordfeilbryter. Bruk av jordfeilbryter reduserer risikoen for elektrisk støt.

## Etter bruk

- Når apparatet ikke er i bruk, skal det oppbevares på et tørt og godt ventilert sted utilgjengelig for barn.
- Barn skal ikke ha tilgang til produkter som oppbevares.
- Når apparatet oppbevares eller transporteres i et kjøretøy, bør det plasseres i bagasjerommet eller festes, slik at det ikke beveger seg når kjøretøyet brått endrer hastighet eller retning.

## Service

- Apparatet skal alltid repareres av kvalifisert personell og kun med originale reservedeler. Dette sikrer at apparatets sikkerhet opprettholdes.

## Ekstra sikkerhetsinstruksjoner for blåse-/sugemaskiner

Beregnet bruk er beskrevet i denne håndboken. Hvis du bruker annet tilbehør, kobler til annet utstyr eller bruker dette produktet til andre oppgaver enn det som er anbefalt i denne håndboken, kan det føre til fare for personskade og/eller skade på eiendom.

- Bruk alltid kraftig fottøy og lange bukser mens du bruker produktet, for å beskytte føttene og bena.
- Skal ikke brukes i sugemodus uten at sugerør og oppsamlingspose er montert.
- Slå alltid av produktet, la viften stoppe og ta støpselet ut av kontakten når:
  - du bytter fra blåsing til suging.
  - strømledningen er blitt skadet eller sitter fast.
  - du forlater produktet uten tilsyn.
  - du fjerner en blokkering.
  - du kontrollerer, justerer, rengjør eller arbeider på produktet.
  - verktøyet begynner å vibrere unormalt.
- Ikke plasser inntaket eller uttaket for produktet i nærheten av øyne eller ører når det er i bruk. Blås aldri avfall mot personer som står i nærheten.
- Må ikke brukes i regnvær, og må heller ikke settes igjen ute mens det regner.
- Ikke kryss grusganger eller -veier mens produktet er slått på i blåse/suge-modus. Gå, løp aldri.

- ♦ Ikke sett enheten ned på grus når den er slått på.
- ♦ Pass på at du alltid har godt fotfeste, særlig i skråninger. Ikke strekk deg for langt, og pass på balansen hele tiden.
- ♦ Ikke sug opp ting som kan være forurenset av brennbare eller lett antennelige væsker, for eksempel bensin, og ikke bruk verktøyet i områder der slike kan forekomme.
- ♦ Ikke plasser noen gjenstander i åpningene. Bruk aldri produktet hvis åpningene er blokkert. Hold dem frie for hår, lo, støv og alt som kan redusere luftstrømmen.

**Advarsel!** Bruk alltid produktet på den måten som er forklart i denne håndboken. Produktet er konstruert for å bli brukt i loddrett stilling, og hvis det brukes på annen måte, kan det oppstå personskade. Kjør aldri produktet mens det ligger på siden eller er opp-ned.

- ♦ Operatøren eller brukeren er ansvarlig for ulykker eller farer andre personer eller deres eiendom blir utsatt for.
- ♦ Du må ikke bære produktet i kabelen.
- ♦ Før alltid kabelen bakover og bort fra produktet.

**Advarsel!** Hvis en ledning blir skadet under bruk, må du øyeblikkelig koble produktet fra strømmettet. Ikke ta på strømledningen før den er koblet fra stikkontakten.

- ♦ Ikke bruk løsemidler eller rengjøringsvæsker til å rengjøre produktet. Bruk et butt skraperedskap for å fjerne gress og jord.

- ♦ Kontroller oppsamlingsposen ofte for slitasje eller misforming.
- ♦ Du får kjøpt reservevifter hos Black & Decker-serviceverkstedet. Bruk bare reservedeler og tilbehør som anbefales av Black & Decker.
- ♦ Pass på at alle muttere og skruer er godt tilskrudd, så du sikrer at produktet er i trygg arbeidsmessig stand.

## Andre personers sikkerhet

- ♦ Dette apparatet kan brukes av barn på 8 år eller mer og personer som har reduserte fysiske, sansemessige eller mentale evner, eller som mangler erfaring og kunnskap, hvis de har tilsyn eller har fått veiledning i bruk av apparatet på en trygg måte og forstår farene som foreligger. Barn skal ikke leke med apparatet. Rengjøring og brukervedlikehold skal ikke utføres av barn uten tilsyn.
- ♦ Barn skal være under oppsyn så du er sikker på at de ikke leker med produktet.

## Elektrisk sikkerhet



Dette produktet er dobbeltisolert. Jording er derfor ikke nødvendig. Kontroller alltid at strømforsyningen er i overensstemmelse med spenningen på typeskiltet.

- ♦ Hvis strømledningen blir skadet, må den skiftes av produsenten eller et autorisert Black & Decker-servicesenter for å unngå fare.

- ♦ Strømsikkerheten kan forbedres ytterligere ved bruk av jordfeilbryter på 30 mA med høy følsomhet (RCD).

## Bruke skjøteledning

Bruk alltid en godkjent skjøteledning som passer til inngangseffekten for dette verktøyet (se tekniske data). Skjøteledningen må passe for utendørs bruk og skal være merket i samsvar med dette.

Opptil 30 m 1.5 mm<sup>2</sup> HO5V V-F-skjøteledning kan brukes uten tap av ytelse for produktet. Før bruk må du undersøke skjøteledningen for tegn på skade, slitasje og aldring. Bytt skjøteledningen hvis den er skadet eller defekt. Når du bruker kabelsnelle, må du alltid rulle ut kabelen helt.

## Andre risikoer

Ved bruk av produktet kan det oppstå ytterligere risikoer som kanskje ikke er inkludert i sikkerhetsadvarslene som følger med. Disse risikoene kan bli forårsaket av feil bruk, langvarig bruk osv.

Selv om de relevante sikkerhetsbestemmelsene blir fulgt, og sikkerhetstiltakene blir gjennomført, kan visse gjenværende risikoer ikke unngås. Disse omfatter:

- ♦ Personskader som forårsakes av berøring av en roterende/bevegelig del.
- ♦ Personskader som forårsakes av at en del, et blad eller tilbehør endres.

- ♦ Personskader som forårsakes av langvarig bruk av et verktøy. Når du bruker et verktøy i lange perioder, må du sørge for å ta regelmessige pauser.
- ♦ Svekket hørsel.
- ♦ Helsefarer som forårsakes av innånding av støv som dannes når du bruker verktøyet (eksempel: arbeid med tre, spesielt eik, bøk og MDF).

## Merking på produktet

Følgende symboler finnes på produktet:



**Advarsel!** Les håndboken før bruk.



Benytt vernebriller når du bruker dette produktet.



Benytt passende hørselvern når du bruker dette produktet.



Ikke utsett verktøyet for regn eller høy fuktighet, og sett det ikke igjen ute mens det regner.



Slå av: Trekk støpselet ut av kontakten før rengjøring eller vedlikehold.



Se opp for gjenstander som kastes rundt.



Hold andre personer unna.





## Garantert lydeffekt i henhold til direktiv 2000/14/EF.

### Funksjoner

1. Hastighetskontroll
2. Kabelfeste
3. Oppsamlingspose
4. Øvre blåserør
5. Nedre blåserør
6. Øvre sugerør
7. Midtre sugerør
8. Nedre sugerør
9. Utløserknapp for sug
10. Utløserknapp for pose
11. Motorenhet
12. Ekstrahåndtak

### Montering



**Advarsel!** Før monteringen må du passe på at maskinen er slått av, og at kontakten er trukket ut.



**Advarsel!** Bruk alltid vernehansker når du arbeider med løvsamleren.

### Montering av sugerør (figur A)

Sugerørene må setes sammen før bruk.

**Advarsel!** Ikke bruk maskinen med sugerørene skilt fra hverandre.

- Bruk såpevann på skjøtedelen for å lette monteringen.
- Innrett hakkene (13) og trekantene (14) på øvre (6) og midtre (7) del av sugerøret i forhold til hverandre.
- Skyv øvre del (6) av sugerøret fast på midtre del (7) av sugerøret til trekantene klikker på plass.
- Innrett hakkene (13) og trekantene (14) på midtre (7) og nedre (8) del av sugerøret i forhold til hverandre.
- Skyv midtre del (7) av sugerøret fast på nedre del (8) av sugerøret til trekantene klikker på plass.

**Advarsel!** Ikke skill rørene når de er satt sammen.

### Feste ekstrahåndtaket (figur B) (bare GW3050)

- Trykk inn og hold begge knappene (15) på siden av håndtaksfestet.
- Skyv ekstrahåndtaket (12) på plass over knappene (15).

**Merk:** Påse at den oransje knappen er på samme side som det store hullet på håndtaket.

**Advarsel!** Pass på at tennene på knappen sitter korrekt i sporene på håndtaket, og at håndtaket sitter fast.

### Justere stillingen til ekstrahåndtaket (figur C) (bare GW3050)

Ekstrahåndtaket (12) kan justeres for å gi best mulig balanse og komfort.

- Trykk inn knappen (15) på venstre side av håndtaket.
- Vri ekstrahåndtaket (12) til riktig posisjon.
- Slipp ut knappen (15).

**Advarsel!** Pass på at tennene på knappen sitter korrekt i sporene på håndtaket, og at håndtaket sitter fast.

### Montering av blåserør (figur D)

- Innrett de 2 merkene (16) nederst på den øvre delen av blåserøret (4) og de 2 merkene (17) nederst på den nedre delen av blåserøret (5) i forhold til hverandre.
- Skyv øvre del (4) av blåserøret fast inn i nedre del (5) av blåserøret til de klikker på plass.

**Advarsel!** Ikke skill rørene når de er satt sammen.

### Sette inn og ta ut konsentratoren (figur D)

- Skyv konsentratoren (30) fast på nedre del av det nedre blåserøret (5). Fest konsentratoren ved å feste tappen (31) på klemmen (32)
- For å fjerne løfter du klemmen (32) og skyver konsentratoren (8) av nedre del av det nedre blåserøret (5).

### Sette på og ta av raken (figur E) (bare GW3050 & GW2838)

- Plasser raken (18) over festet (19) på nedre del av det nedre blåserøret (5).
- Trykk ned og skyv raken (18) fast på festet (19) til du hører et klikk.
- For å fjerne løfter du rakeutløseren (20) og skyver raken (18) av festet (19).

### Bruk

#### Slå på og av (figur F)

**Advarsel!** Hold produktet fast når du slår det på.

- For å slå på apparatet dreier du hastighetskontrollen (1) med klokken til du når ønsket innstilling.
- For å slå av apparatet dreier du hastighetskontrollen (1) mot klokken til av-posisjonen.

#### Kabelfeste (figur G)

Det er integrert et kabelfeste (2) bak på motorenheten.

- Legg kabela (21) i en løkke gjennom kabelfestet (2).

## Bruke produktet

**Advarsel!** Benytt alltid vernebriller når du bruker produktet til å blåse eller sugе. Hvis det er støv der det brukes, benytter du også en maske med filter.

**Advarsel!** Slå av produktet, la viften stoppe og ta ut kontakten av støpselet før du utfører justering, behandling eller vedlikehold.

## Blåsemodus (figur H og I)

- ◆ Fest viftedekeleet (22) til motorenheten (11) ved å plassere enheten som indikert med pilen, drei om dette punktet og trykk på utløserknappen for sug (9) til låsen (23) er helt låst. (figur H)
- ◆ Innrett det sammensatte blåserøret til motorenheten (11).
- ◆ Skyv det sammensatte blåserøret inn på suguttaket (25) til låsen griper sikkert i blåserøret.

**Advarsel!** Bruk aldri løvsamleren i blåsemodus uten at blåserøret og viftedekeleet er sikkert festet.

- ◆ Hold blåserøret ca. 180 mm over bakken, slå på produktet, og benytt en feiende bevegelse fra side til side. Beveg deg langsomt fremover, og hold oppsamlet rusk/løv foran deg (figur I).
- ◆ Når du har blåst rusk/blader i en haug, kan du stille om til sugemodus for å samle opp avfallet.

## Ta av blåserøret og viftedekeleet

- ◆ Når du skal ta av blåserøret, trykker du på utløserknappen for posen (10) og trekker røret av. Pass på at røret ikke faller i bakken.
- ◆ Når du skal ta av viftedekeleet (22), trykker du på utløserknappen for sug (9) og trekker viftedekeleet (22) av. Pass på at viftedekeleet ikke faller i bakken.

## Sugemodus (figur H, J og K)

**Merk:** Ved suging/kutting må oppsamlingsposen (3) være montert.

- ◆ Ta av viftedekeleet (22) ved å trykke på utløserknappen for sug (9) og trekke viftedekeleet (22) av. Pass på at viftedekeleet ikke faller i bakken.
- ◆ Fest oppsamlingsposen (3) til suguttaket (25) ved å trykke bestemt på det til det klikker på plass.
- ◆ Fest det sammensatte sugerøret til motorenheten (11) ved å plassere enheten som indikert med pilen, drei om dette punktet og trykk på utløserknappen for sug (9) til låsen er helt låst.
- ◆ Plasser stroppen fra oppsamlingsposen over skulderen (figur K). Dette vil bidra til å bære den ekstra vekten når oppsamlingsposen fylles. Alternativt kan oppsamlingsposen festes på støttebraketten (28 – figur A) på den øvre delen av sugerøret (4), og stroppen kan festes til motorenheten (11) på kroken (29).

- ◆ Plasser sugerøret litt over avfallet/løvet. Slå produktet på, og bruk en feiende bevegelse. Avfall/løv vil bli sugd opp, kuttet og kastet i oppsamlingsposen (figur K).
- ◆ Etter hvert som posen fylles, vil styrken i sugingen avta. Slå av produktet og trekk ut støpselet fra kontakten.
- ◆ Åpne posen og tøm ut innholdet før du fortsetter arbeidet.

**Advarsel!** Du må aldri fjerne oppsamlingsposen uten å slå av produktet og trekke støpselet ut av kontakten først.

**Merknad:** Hvis sugingen avtar og posen ikke er full, er sannsynligvis sugerøret tettet med avfall. Slå av løvsamleren, trekk ut kontakten og åpne røret før du fortsetter.

## Problemløsning

Problem	Mulig løsning
Virker ikke	Kontroller tilkoblingen til strømkilden.
	Kontroller sikringen i støpselet. Hvis den er gått, bytter du den (bare Storbritannia).
	Kontroller at blåse-/sugerøreneheten er korrekt montert på motorenheten.
	Hvis sikringen fortsetter å gå, kobler du straks fra strømmettet og tar kontakt med ditt lokale autoriserte Black & Decker-serviceverksted.
Dårlig suging / hvinende høy lyd	Slå av og koble fra strømmettet. Avfall skal falle unna røret.
	Ta av og tøm oppsamlingsposen.
	Kontroller at både inntak og uttak på sugerøret er åpne.
	Fjern eventuelt avfall fra vifteområdet.
	Hvis verktøyet fortsetter å sugе dårlig, kobler du straks fra strømmettet og tar kontakt med et autoriserte Black & Decker-serviceverksted.
Dårlig kutting	Skru av og koble fra strømmettet. Ta av oppsamlingsposen.
	Ta av sugerøret, og kontroller viften.
	Fjern eventuelt avfall fra viftebladene.
	Hvis viften får sprekker eller blir skadet, må du slutte å bruke den. Ta kontakt med et autoriserte Black & Decker-serviceverksted.

## Vedlikehold

Black & Decker-produktet er konstruert for å være i drift over lengre tid med et minimum av vedlikehold. Det er avhengig av riktig stell og regelmessig rengjøring for å fungere som det skal til enhver tid.

- ◆ Hold maskinen ren og tørr.
- ◆ Fjern eventuelle blader som sitter fast inni sugerøret.
- ◆ Rengjør ventilasjonssporene regelmessig med en ren, tørr malerkost.

- ◆ Rengjør oppsamlingsposen regelmessig og kontroller at den er ren og tom etter hver gangs bruk.
- ◆ Maskinen rengjøres bare med mild såpe og en fuktig klut. La det aldri komme væske inn i verktøyet og senk aldri noen deler av verktøyet ned i væske. Ikke bruk slipende eller løsemiddelbaserte rengjøringsmidler.
- ◆ Det er benyttet selvsmerende lagre i produktet, og derfor trenger det ingen smøring.

## Bytte nettstøpsel (gjelder bare Storbritannia og Irland)

Hvis det må settes på nytt nettstøpsel:

- ◆ Kast det gamle støpselet på en trygg måte.
- ◆ Koble den brune ledningen til den strømførende terminalen i det nye støpselet.
- ◆ Koble den blå ledningen til nullterminalen.

**Advarsel!** Du skal ikke koble til jordterminalen. Følg monteringsinstruksjonene som følger med støpsler av god kvalitet. Anbefalt sikring: 13 A.

## Miljø



Separat avfallshåndtering. Dette produktet må ikke kastes sammen med vanlig husholdningsavfall.

Hvis du synes Black & Decker-produktet bør skiftes ut, eller du ikke har bruk for det lenger, må du ikke kaste det sammen med husholdningsavfall. Sørg for separat avfallshåndtering for dette produktet.



Hvis brukte produkter og emballasje leveres atskilt, kan materialer resirkuleres og brukes på nytt. Gjenbruk av resirkulerte materialer bidrar til redusert miljøforurensing og reduserer behovet for råmaterialer.

Det kan være lokale bestemmelser for separat avfallshåndtering for elektriske produkter fra husstander på kommunale avfallsplasser eller hos forhandleren, når du kjøper et nytt produkt.

Black & Decker har en ordning for innsamling og resirkulering av Black & Decker-produkter som ikke skal brukes lenger. Du kan benytte denne tjenesten ved å levere produktet til et hvilket som helst autorisert serviceverksted.

Du kan finne ut hvor nærmeste autoriserte serviceverksted er, ved å kontakte din lokale Black & Decker-avdeling på adressen som er oppgitt i denne håndboken. En oversikt over autoriserte Black & Decker-serviceverksteder og alle opplysninger om ettersalgsservice og kontakter er også tilgjengelig på Internett: [www.2helpU.com](http://www.2helpU.com)

## Tekniske data

		GW2810 GW2838 (Type 1)	GW3030 (Type 1)	GW3050 (Type 1)
Inngangsspenning	$V_{AC}$	230	230	230
Inngangseffekt	W	2800	3000	3000
Kapasitet	l	50	50	50
Vekt (med blåsning)	mm	3.45	3.7	3.7
Vekt (suging)	mm	4.85	4.85	4.85

Totale vibrasjonsverdier (vektorsum fra tre retninger) i henhold til EN 60745:

Vibrasjon ( $a_{hv}$ ) 9.8  $m/s^2$ , usikkerhet (K) 1.5  $m/s^2$

**EF-samsvarserklæring**  
 MASKINDIREKTIV  
 DIREKTIV FOR UTENDØRSSTØY



GW2810 GW2838, GW3030, GW3050

Black & Decker erklærer at disse produktene, som er beskrevet under "Tekniske data", er i samsvar med:  
 2006/42/EF, EN 60335

2000/14/EF, løvsamler, vedlegg V  
 KEMA Quality B.V., Utrechtseweg 310, 6802 ED Arnhem,  
 Nederland  
 ID-nummer for varslet organ: 0344

Lydeffektnivå i henhold til 2000/14/EF  
 (artikkel 13, vedlegg III):  
 $L_{WA}$  (målt lydeffekt) 104 dB(A)  
 Usikkerhet = 3 dB(A)  
 $L_{WA}$  (garantert lydeffekt) 107 dB(A)  
 Usikkerhet = 3 dB(A)

Disse produktene er også i samsvar med direktiv  
 2004/108/EF og 2011/65/EU.

Hvis du ønsker mer informasjon, kontakt Black & Decker på følgende adresse, eller se på baksiden av bruksanvisningen. Undertegnede er ansvarlig for utarbeidelsen av den tekniske dokumentasjonen og gir denne erklæringen på vegne av Black & Decker.

Kevin Hewitt  
 Vice-President Global Engineering  
 Black & Decker Europe, 210 Bath Road, Slough,  
 Berkshire, SL1 3YD  
 Storbritannia  
 10/04/2013

## Garanti

Black & Decker er trygg på kvaliteten av sine produkter og tilbyr en enestående garanti. Denne garantierklæringen kommer i tillegg til dine lovbestemte rettigheter og er ikke i konflikt med disse. Garantien er gyldig i EU- og EFTA-medlemsstatene.

Hvis et Black & Decker-produkt går i stykker på grunn av material- og/eller fabrikkasjonsfeil eller har mangler i forhold til spesifikasjonene innen 24 måneder fra kjøpet, påtar Black & Decker seg å skifte ut defekte deler, reparere produkter som har vært utsatt for alminnelig slitasje, eller bytte ut slike produkter med minst mulig vanskelighet for kunden, med mindre:

- ◆ Produktet har vært brukt i yrkes-/næringsvirksomhet eller til utleie.
- ◆ Produktet har vært utsatt for feilaktig bruk eller dårlig vedlikehold.
- ◆ Produktet har blitt skadet av fremmede gjenstander eller stoffer eller ved et uhell.
- ◆ Andre enn autoriserte serviceverksteder eller Black & Deckers serviceteknikere har forsøk å reparere produktet.

For å ta garantien i bruk må du vise kjøpskvittering til forhandleren eller til et autorisert serviceverksted. Du kan finne ut hvor nærmeste autoriserte serviceverksted er, ved å kontakte din lokale Black & Decker-avdeling på adressen som er oppgitt i denne håndboken. En oversikt over autoriserte Black & Decker-serviceverksteder og alle opplysninger om ettersalgsservice og kontakter er også tilgjengelig på Internett: [www.2helpU.com](http://www.2helpU.com)

Besøk vårt webområde [www.blackanddecker.no](http://www.blackanddecker.no) for å registrere ditt nye Black & Decker-produkt og for å holde deg oppdatert om nye produkter og spesialtilbud. Du finner mer informasjon om Black & Decker og produktutvalget vårt på [www.blackanddecker.no](http://www.blackanddecker.no).

## Anvendelsesområde

Din Black & Decker løvsuger er designet til at fjerne blade. Apparatet er kun beregnet til privat og udendørs brug.

## Generelle sikkerhedsadvarsler for apparatet



**Advarsel!** Ved brug af apparater, der strømfor-synes fra forsyningsnettet/ledningsfri apparater, er det vigtigt, at grundlæggende sikkerhedsforholdsregler, herunder bl.a. nedenstående, altid følges for at mindske risikoen for brand, elektrisk stød, personskade og materiel skade.

- Læs hele denne vejledning omhyggeligt, før du bruger apparatet, sæt dig ind i dets betjeningsanordninger og korrekt brug af apparatet.
- Den tilsigtede brug er beskrevet i denne vejledning. Brugen af ekstraudstyr eller tilbehør eller udførelse af andet arbejde med dette apparat end det, der anbefales i denne vejledning, kan udgøre en risiko for personskade. Udtrykket "apparat", der benyttes i alle nedenstående advarsler, henviser til netdrevne apparater (med netledning) eller batteridrevne apparater (ledningsfri).

## Gem alle advarsler og anvisninger til senere brug.

## Brug af apparatet

- **Vær altid opmærksom ved brugen af apparatet.**
- Hold arbejdsområdet rent og godt oplyst. Rodede og uoplyste områder øger risikoen for uheld.
- Brug kun apparatet i dagslys eller ved god kunstig belysning.
- Brug ikke apparatet i eksplosive omgivelser, f.eks. hvor der er brændbare væsker, gasser eller støv.

- Lad ikke børn eller personer, der ikke har læst denne vejledning, benytte apparatet. Lokale regler kan begrænse brugerens alder.
- Lad ikke børn eller dyr komme i nærheden af arbejdsområdet eller røre ved apparatet eller netledningen.
- Hold børn, omkringstående og dyr på afstand, når der arbejdes med et apparat. Du kan miste kontrollen over værktøjet, hvis du bliver distraheret.
- Apparatet må ikke bruges som legetøj.
- Apparatet må ikke nedsænkes i vand.
- Kabinettet må ikke åbnes. Der er ingen dele inde i kabinettet, som kan serviceres af brugeren.

## Personlig sikkerhed

- Vær opmærksom, hold øje med, hvad du laver, og brug apparatet fornuftigt. Brug ikke et apparat, hvis du er træt eller påvirket af stoffer, medicin eller alkohol. Et øjebliks uopmærksomhed under brug af et apparat kan medføre alvorlig personskader.
- Brug om nødvendigt personligt sikkerhedsudstyr. Brug af værnemidler som f.eks. øjenbeskyttelse, støvmaske, skridsikkert fodtøj, beskyttelseshjelm eller høreværn nedsætter risikoen for personskader, hvis udstyret anvendes korrekt.

- Sørg for, at værktøjet ikke kan starte utilsigtet. Kontroller, at afbryderkontakten står på slukket, inden apparatet sluttes til en strømkilde og/eller batteriet, samles op eller bæres. Bæres apparatet, mens fingeren er på kontakten, eller tilsluttes det, mens kontakten står på tændt, kan der nemt ske en ulykke.
- Stræk dig ikke for langt. Sørg for, at du altid har sikkert fodfæste og balance. Så har du bedre styr på apparatet, hvis der opstår uventede situationer.
- Brug egnet arbejdstøj. Undgå løse beklædningsgenstande eller smykker. Hold hår, tøj og handsker væk fra dele, der bevæger sig. Bevægelige dele kan gribe fat i løst tøj, smykker eller langt hår.
- Hold skæreværktøj skarpt og rent. Ordentligt vedligeholdt skæreværktøj med skarpe skærekanter sætter sig ikke så hurtigt fast og er nemmere at styre.
- Brug ikke apparatet med beskadigede eller defekte dele.
- Få beskadigede eller defekte dele repareret eller udskiftet på et autoriseret værksted.
- Forsøg aldrig at fjerne eller udskifte dele ud over dem, der er beskrevet i denne vejledning.

## Elektricitet og sikkerhed

### Brug og vedligeholdelse af apparater

- Kontroller apparatet for beskadigede eller defekte dele før brug. Se efter knækkede dele, skader på kontakter og eventuelle andre tilstande, der kan påvirke apparatets funktion.
- Brug ikke apparatet, hvis afbryderen er defekt. Apparater, der ikke kan afbrydes, er farligt og skal repareres.
- Træk stikket ud af stikkontakten og/eller batteriet inden indstilling, tilbehørsudskiftning eller opbevaring af apparatet. Disse sikkerhedsforanstaltninger reducerer risikoen for utilsigtet start af apparatet.
- Apparatets stik skal passe til stikkontakten. Stikket må under ingen omstændigheder ændres. Brug ikke adapterstik sammen med jordforbundne apparater. Uændrede stik, der passer til stikkontakterne, nedsætter risikoen for elektrisk stød.
- Apparatet må ikke udsættes for regn eller fugt. Indtrængen af vand i apparatet øger risikoen for elektrisk stød.
- Undgå at ødelægge ledningen. Bær, træk eller afbryd ikke apparatet vha. ledningen. Beskyt ledningen mod varme, olie, skarpe kanter eller bevægelige dele. Beskadigede eller sammenfiltrede ledninger øger risikoen for elektrisk stød.
- Hvis et apparat benyttes i det fri, skal der benyttes en forlængerledning, som er godkendt til udendørs brug. Brug af en forlængerledning til udendørs brug nedsætter risikoen for elektrisk stød.

- Brug en strømkilde med fejlstrømsbeskyttelse, hvis det er nødvendigt at anvende et apparat på fugtige steder. Med en fejlstrømsbeskyttelse reduceres risikoen for elektrisk stød.

## Efter brug

- Opbevar apparatet på et tørt, godt ventileret sted uden for børns rækkevidde, når det ikke er i brug.
- Opbevar apparater utilgængeligt for børn.
- Når apparatet opbevares eller transporteres i et køretøj, skal det anbringes i bagagerummet eller fastgøres for at forhindre bevægelse som følge af pludselige ændringer i hastighed eller retning.

## Service

- Få altid apparatet repareret af kvalificerede fagfolk med originale reservedele. Dermed opretholdes apparatets sikkerhed.

## Yderligere sikkerhedsvejledninger for løvsugere

Den tilsigtede brug er beskrevet i denne vejledning. Brug af ekstraudstyr eller tilbehør eller udførelse af andre opgaver med dette apparat end de, der anbefales i denne vejledning, kan medføre risiko for personskade og/eller materiel skade.

- Brug altid kraftigt fodtøj og lange bukser til beskyttelse af fødder og ben under brugen af apparatet.

- Brug ikke løvsugerfunktionen uden påmonteret sugerør og opsamlingspose.
- Sluk altid produktet, lad blæseren stoppe, og tag stikket ud af kontakten:
  - Når du skifter fra blæsning til sugning.
  - Hvis strømledningen er filtret sammen.
  - Når du efterlader produktet uden opsyn.
  - Når du fjerner en blokering.
  - Når du kontrollerer, juster, rengør eller arbejder på produktet.
  - Hvis produktet begynder at vibrere unormalt.
- Hold ikke ind sugning eller udblæsning i nærheden af øjne eller ører under arbejdet. Blæs aldrig materiale mod omkringstående.
- Brug ikke produktet i regnvejr, og lad det ikke ligge ude i regnvejr.
- Passér ikke grusstier eller veje, mens produktet er tændt og suger/blæser. Gå, løb ikke.
- Sæt ikke produktet ned på grus, mens der er tændt for det.
- Sørg altid for godt fodfæste, især på skrånninger. Stræk dig ikke for langt, og sørg hele tiden for at være i balance.
- Opsaml ikke materiale, der kan være forurenede af letantændelige eller brandbare væsker såsom benzin, og brug ikke produktet i områder, hvor sådanne stoffer kan forekomme.

- Stik ikke genstande ind i åbningerne. Brug aldrig produktet, hvis åbningerne er blokeret - hold dem fri for hår, tneg, støv og andet, der kan reducere luftstrømmen.

**Advarsel!** Brug altid produktet som beskrevet i vejledningen. Produktet er designet til brug i opretstående stilling; hvis det bruges på anden måde, kan det forårsage tilskadekomst. Lad aldrig produktet køre, mens det ligger på siden eller står på hovedet.

- Brugeren er ansvarlig for ulykker eller risici, som andre eller andres ejendom udsættes for.
- Bær ikke produktet i ledningen.
- Før altid ledningen bagved og væk fra produktet.

**Advarsel!** Hvis ledningen bliver beskadiget under brug, skal du omgående tage den ud af stikkontakten. Rør ikke ved ledningen, før du har taget den ud af stikkontakten.

- Brug ikke opløsningsmidler eller rensesvæsker til rengøring af produktet. Brug en uskarp skraber til at fjerne græs og snavs.
- Kontroller jævnlige opsamlingsposen for slid og forringelse.
- Udskiftningsblæsere kan købes på et Black & Decker-værksted. Brug kun reservedele og tilbehør, der anbefales af Black & Decker.
- Sørg for, at alle apparatets møtrikker, bolte og skruer er spændt, så arbejdsforholdene er sikre.

## Andres sikkerhed

- Dette apparat kan bruges af børn i en alder fra 8 år og derover og personer med nedsatte fysiske, sensoriske eller mentale evner eller manglende erfaring og viden, hvis det sker under overvågning, eller de vejledes i brugen af apparatet på en sikker måde, og de forstår de farer, som er forbundet dermed. Børn må ikke lege med apparatet. Rengøring og brugervedligeholdelse må ikke foretages af børn uden opsyn.
- Børn skal holdes under opsyn, så det sikres, at de ikke leger med værktøjet.

## Elektricitet og sikkerhed



Dette værktøj er dobbelt isoleret. Derfor er en jordledning ikke nødvendig. Kontroller altid, at strømforsyningen svarer til spændingen på typeskiltet.

- Hvis netledningen beskadiges, skal den udskiftes af producenten eller et autoriseret Black & Decker-værksted, så farlige situationer undgås.
- Den elektriske sikkerhed kan forbedres yderligere ved brug af en højfølsom 30 mA fejlstrømsafbryder (RCD).



## Brug af en forlængerledning

Brug altid en godkendt forlængerledning, der er egnet til dette værktøjs strømstik (se de tekniske data). Forlængerledningen skal være egnet til udendørs brug og mærket i overensstemmelse hermed. Der kan bruges en HO5V V-F-forlængerledning på op til 30 m med et tværsnit på 1.5 mm<sup>2</sup>, uden at produktets ydeevne forringes. Før brug skal forlængerledningen inspiceres for tegn på beskadigelse, slid og ældning. Udskift forlængerledningen, hvis den er beskadiget eller defekt. Rul ledningen helt ud, hvis der anvendes en kabeltromle.

## Restrisici.

Der kan opstå yderligere restrisici under brugen af værktøjet, som ikke kan medtages i vedlagte sikkerhedsadvarsler. Disse risici kan opstå pga. forkert anvendelse, langvarig brug etc.

Selv ved overholdelse af relevante sikkerhedsforskrifter og anvendelse af sikkerhedsudstyr kan visse restrisici ikke undgås. Disse omfatter:

- ♦ Tilskadekomst forårsaget af berøring af roterende/bevægelige dele.
- ♦ Tilskadekomst forårsaget af udskiftning af dele, blade eller tilbehør.
- ♦ Tilskadekomst forårsaget af langvarig brug af et værktøj. Husk at holde pause jævnlige ved brug af et værktøj i længere tid.
- ♦ Hørskader.

- ♦ Sundhedsrisici forårsaget af indånding af støv, der genereres ved brug af værktøjet (eksempel: Arbejde med træ, især, eg, bøg og MDF).

## Mærkatet på apparatet

Følgende symboler er anbragt på værktøjet:



**Advarsel!** Læs vejledningen inden brug.



Bær beskyttelses- eller sikkerhedsbriller, når du bruger dette apparat.



Bær egnet hørevern, når du bruger dette apparat.



Udsæt ikke værktøjet for regn eller høj luftfugtighed, og lad det ikke ligge ude i regnvejr.



Sluk: Tag stikket ud af stikkontakten før rengøring eller vedligeholdelse.



Pas på flyvende genstande.



Hold omkringstående på afstand.



Direktiv 2000/14/EF garanteret lydeffekt.

## Komponenter

1. Trinløs hastighedskontrol
2. Ledningsholder
3. Opsamlingspose
4. Øverste blæserør
5. Nederste blæserør
6. Øverste sugerør
7. Midterste sugerør
8. Nederste sugerør
9. Udløserknap til sug
10. Udløserknap til pose
11. Motordel
12. Andet håndtag

## Samling



**Advarsel!** Kontroller før samling, at apparatet er slukket, og at ledningen er taget ud af stik-kontakten.



**Advarsel!** Bær altid beskyttelseshandsker, når du arbejder med løvsugeren.

## Samling af sugerørsenheden (fig. A)

Sugerørerne skal samles før brug.

**Advarsel!** Brug aldrig produktet med adskilte sugerør.

- ◆ Kom lidt sæbevand på samleområdet for at lette samlingen.
- ◆ Sæt hakkene (13) og trekantene (14) på det øverste (6) og det midterste (7) sugerør ud for hinanden.
- ◆ Skub det øverste sugerør (6) fast på det midterste sugerør (7), til trekantene klikker på plads.
- ◆ Sæt hakkene (13) og trekantene (14) på det midterste (7) og det nederste (8) sugerør ud for hinanden.
- ◆ Skub det midterste sugerør (7) fast på det nederste sugerør (8), til trekantene klikker på plads.

**Advarsel!** Adskil ikke rørene, når de først er samlet.

## Montering af det andet håndtag (fig. B) (kun GW3050)

- ◆ Hold begge knapper (15) på siden af håndtagsholderen trykket ind.
- ◆ Skub det andet håndtag (12) på plads over knapperne (15).

**Bemærk!** Sørg for, at den orange knap er på samme side som det store hul i håndtaget.

**Advarsel!** Sørg for, at tænderne på knappen sidder rigtigt i åbningerne i håndtaget, og at håndtaget er sikret.

## Justering af det andet håndtags stilling (fig. C) (kun GW3050)

Det andet håndtag (12) kan justeres, så der opnås optimal balance og komfort.

- ◆ Tryk knappen (15) på venstre side af håndtaget ind.
- ◆ Drej det andet håndtag (12) til den ønskede stilling.
- ◆ Slip knappen (15).

**Advarsel!** Sørg for, at tænderne på knappen sidder rigtigt i åbningerne i håndtaget, og at håndtaget er sikret.

## Samling af blæserøret (fig. D)

- ◆ Anbring de to markører (16) i bunden af det øverste blæserør (4) ud for hinanden, og anbring de to markører (17) på bunden af det nederste blæserør (5) ud for hinanden.
- ◆ Skub det øverste blæserør (4) fast ind i det nederste blæserør (5), til de klikker på plads.

**Advarsel!** Adskil ikke rørene, når de først er samlet.

## Montering og afmontering af koncentratoren (fig. D)

- ◆ Skub koncentratoren (30) fast på bunden af det nederste blæserør (5). Fastgør koncentratoren ved at klippe tappen (31) fast på klemmen (32)
- ◆ Afmonter koncentratoren (8) ved at løfte klemmen (32) og skubbe koncentratoren af bunden af det nederste blæserør (5).

## Montering og afmontering af riven (fig. E) (kun GW3050 & GW2838)

- ◆ Anbring riven (18) over monteringsbeslaget (19) på bunden af det nederste blæserør (5).
- ◆ Tryk ned på riven (18), og skub den fast på monteringsbeslaget (19), indtil den klikker på plads.
- ◆ Afmonteres ved at løfte riveudløseren (20) og skubbe riven (18) af monteringsbeslaget (19).

## Anvendelse

### Tænd og sluk (fig. F)

**Advarsel!** Grib fast om produktet, når du starter det.

- ◆ Hvis du vil tænde for apparatet, skal du dreje den trinløse hastighedskontrol (1) med uret til den ønskede indstilling.
- ◆ Hvis du vil slukke for apparatet, skal du dreje den trinløse hastighedskontrol (1) mod uret til slukket position.

### Ledningsholder (fig. G)

Bag på motordelen sidder en ledningsholder (2).

- ◆ Før ledningen (21) gennem ledningsholderen (2).

### Sådan bruges produktet

**Advarsel!** Bær altid sikkerhedsbriller, når blæse- eller sug-efunktionen bruges. Bær også en filtermaske under støvede forhold.

**Advarsel!** Sluk produktet, lad blæseren stoppe, og tag stikket ud af kontakten, før du foretager justeringer, service eller vedligeholdelse.

### Blæsefunktion (fig. H og I)

- ◆ Monter ventilatordækslet (22) på motordelen (11) ved at placere enheden som vist med pilen og derefter dreje omkring dette punkt og trykke på udløserknappen til sug (9), til palen (23) er i fuldt indgreb. (fig. H)
- ◆ Ret det samlede blæserør ind efter motordelen (11).
- ◆ Skub det samlede blæserør på sugedgangen (25), indtil låsen griber stramt ind i blæserøret.

**Advarsel!** Må aldrig anvendes i blæsefunktion, uden at blæserøret og ventilatordækslet er på plads.

- ◆ Hold blæserøret ca. 180 mm over jorden, tænd produktet og gå langsomt frem med en fejende bevægelse fra side til side med ophobet affald/blade foran dig (fig. I).
- ◆ Når affald/blade er blæst sammen i en dyng, kan du skifte til sugning og opsamle affaldet.

### Afmontering af blæserør og ventilatordæksel

- ◆ Blæserøret afmonteres ved at trykke på udløserknappen til pose (10) og trække røret af. Sørg for, at røret ikke falder ned på jorden.
- ◆ Ventilatordækslet (22) afmonteres ved at trykke på udløserknappen til sug (9) og trække ventilatordækslet (22) af. Sørg for, at ventilatordækslet ikke falder ned på jorden.

### Sugefunktion (fig. H, J og K)

**Bemærk!** Ved sugning/kompostering skal opsamlingsposen (3) være monteret.

- ◆ Afmonter ventilatordækslet (22) ved at trykke på udløserknappen til sug (9) og trække ventilatordækslet (22) af. Sørg for, at ventilatordækslet ikke falder ned på jorden.
- ◆ Monter opsamlingsposen (3) over sugedgangen (25) ved at trykke på den, til den klikker på plads.
- ◆ Monter det samlede sugerør på motordelen (11) ved at placere enheden som vist med pilen og derefter dreje omkring dette punkt og trykke på udløserknappen til sug (9), til palen er i fuldt indgreb.
- ◆ Placer opsamlingsposens strop over skulderen (fig. K). Dette støtter den yderligere vægt, efterhånden som opsamlingsposen fyldes. Opsamlingsposen kan også klipses fast på støttebeslaget (28 - fig. A) på det øverste sugerør (4), og stroppen kan fastgøres på motordelen (11) på krogen (29).
- ◆ Hold sugerøret lidt over affaldet/bladene. Tænd for apparatet, og brug en fejende bevægelse. Affaldet/bladene suges op gennem røret, komposteres og føres til opsamlingsposen (fig. K).
- ◆ Efterhånden som posen fyldes, reduceres sugoeffekten. Sluk for apparatet, og tag ledningen ud af stikkontakten.
- ◆ Lyn posen op for at tømme indholdet ud, før du fortsætter.

**Advarsel!** Fjern aldrig opsamlingsposen uden først at slukke apparatet og tage ledningen ud af stikkontakten.

**Bemærk:** Hvis sugoeffekten falder, og posen ikke er fuld, er sugerøret formentlig tilstoppet af affald. Sluk for apparatet, tag ledningen ud af stikkontakten, og rens røret, før du fortsætter.

### Fejlfinding

Problem	Mulig løsning
<b>Kan ikke starte</b>	Kontroller tilslutningen til strømforsyningen.
	Kontroller sikringen i stikket, og udskift den, hvis den er gået (kun Storbritannien).
	Kontroller, at blæse-/sugerøret er monteret korrekt på motordelen
	Hvis sikringen bliver ved med at gå, skal du omgående tage ledningen ud af kontakten og kontakte det lokale autoriserede Black & Decker-værksted.
<b>Ringe sugeffekt/høj hylelyd</b>	Sluk - tag ledningen ud af kontakten, affaldet skal falde ud af røret.
	Fjern og tøm opsamlingsposen.
	Kontroller at både indsuignings- og udblæsningsporte på sugerøret er fri for blokeringer.
	Fjern eventuelt affald fra blæserområdet.
	Hvis sugeffekten stadig er ringe, skal du omgående tage ledningen ud af kontakten og kontakte det lokale autoriserede Black & Decker-værksted.
<b>Dårlig kompostering</b>	Sluk - tag ledningen ud af kontakten, og fjern opsamlingsposen.
	Afmonter sugerøret, og inspicer blæseren.
	Fjern eventuelt affald fra blæserens blade.
	Hvis blæseren er revnet eller beskadiget, må den ikke bruges; kontakt det lokale autoriserede Black & Decker-værksted.

### Vedligeholdelse

Dit Black & Decker-værktøj er beregnet til brug gennem lang tid med et minimum af vedligeholdelse. Fortsat tilfredsstillende drift afhænger af korrekt behandling af apparatet samt regelmæssig rengøring.

- ◆ Hold apparatet rent og tørt.
- ◆ Fjern blade, der måtte side fast på indersiden af sugerøret.
- ◆ Rengør regelmæssigt ventilationsåbningerne med en ren, tør pensel.
- ◆ Rengør jævnligt opsamlingsposen og sørg for, at den er ren og tom efter hver brug.

- ◆ Brug kun et mildt rengøringsmiddel og en fugtig klud til rengøring af apparatet. Lad aldrig væske trænge ind i værktøjet, og nedsænk aldrig nogen del af værktøjet i væske. Der må ikke bruges skuremidler eller opløsningsmidler.
- ◆ Der anvendes selvslemmende lejer i produktet, hvorfor smøring ikke er nødvendig.

## Udskiftning af stik (kun Storbritannien og Irland)

Sådan monteres et nyt stik:

- ◆ Det gamle stik skal bortskaffes på en sikker måde.
- ◆ Slut den brune ledning til den strømførende klemme på det nye stik.
- ◆ Slut den blå ledning til den neutrale klemme.

**Advarsel!** Der skal ikke foretages nogen tilslutning til jordklemmen. Følg de monteringsanvisninger, der leveres sammen med kvalitetsstik. Anbefalet sikring: 13 A.

## Miljøbeskyttelse



Separat bortskaffelse. Dette produkt må ikke bortskaffes sammen med almindeligt husholdningsaffald.

Når dit Black & Decker-produkt en dag er udtjent, eller du ikke længere har brug for det, må du ikke smide det ud sammen med det almindelige affald. Produktet skal bortskaffes separat.



Ved separat bortskaffelse af brugte produkter og emballage bliver der mulighed for at genanvende forskellige materialer. Genanvendelse af materialer medvirker til at forebygge miljøforurening og mindsker behovet for råstoffer.

Lokal lovgivning kan kræve separat indsamling af elektriske husholdningsapparater på kommunale affaldsdepoter eller af den detailhandlende ved køb af et nyt produkt.

Black & Decker sørger for at indsamle og genanvende Black & Decker-produkter, når disse ikke længere kan bruges. Hvis du vil benytte dig af denne service, skal du returnere produktet til et autoriseret værksted, der indsamler produkterne for os.

Kontakt det lokale Black & Decker-kontor på den adresse, der er angivet i denne vejledning, for at få oplysninger om nærmeste autoriserede værksted. En liste over alle autoriserede Black & Decker-serviceværksteder samt servicevilkår og kontaktpersoner er tilgængelig på internettet på adressen: [www.2helpU.com](http://www.2helpU.com)

## Tekniske data

		GW2810 GW2838 (Type 1)	GW3030 (Type 1)	GW3050 (Type 1)
Indgangsspænding	$V_{AC}$	230	230	230
Indgangseffekt	W	2800	3000	3000
Kapacitet	l	50	50	50
Vægt (blæser)	mm	3.45	3.7	3.7
Vægt (suger)	mm	4.85	4.85	4.85

Samlede værdier for vibration (triaksial vektorsum) i henhold til EN 60745:

Vibration ( $a_{hV}$ ) 9.8  $m/s^2$ , usikkerhed (K) 1.5  $m/s^2$

**EF-overensstemmelseserklæring**  
 MASKINDIREKTIV  
 DIREKTIV VEDRØRENDE UDENDØRS STØJ



GW2810 GW2838, GW3030, GW3050

Black & Decker erklærer, at produkterne beskrevet under "Tekniske data" er i overensstemmelse med:  
 2006/42/EF, EN 60335

2000/14/EF, Løvsuger, Annex V  
 KEMA Quality B.V., Utrechtseweg 310, 6802 ED Arnhem,  
 Holland  
 Notified Body ID No.: 0344

Lydintensitetsniveau i henhold til 2000/14/EF:  
 (artikel 13, bilag III):  
 $L_{WA}$  (målt lydeffekt) 104 dB(A)  
 Usikkerhed = 3 dB(A)  
 $L_{WA}$  (garanteret lydeffekt) 107 dB(A)  
 Usikkerhed = 3 dB(A)

Disse produkter er endvidere i overensstemmelse med direktiv 2004/108/EF og 2011/65/EU.

Kontakt Black & Decker på nedenstående adresse eller se vejledningens bagside for at få flere oplysninger.

Undertegnede er ansvarlig for udarbejdelsen af de tekniske data og fremsætter denne erklæring på vegne af Black & Decker.

Kevin Hewitt  
 Vice-President Global Engineering  
 Black & Decker Europe, 210 Bath Road, Slough,  
 Berkshire, SL1 3YD  
 Storbritannien  
 10/04/2013

## Garanti

Black & Decker garanterer, at produktet er fri for skader og fejl og tilbyder en fremragende garanti. Garantien er et tillæg til forbrugers lovsikrede rettigheder og påvirker ikke disse. Garantien gælder inden for medlemsstaterne af den Europæiske Union og i det Europæiske Frihandelsområde.

Hvis et Black & Decker-produkt går i stykker på grund af materiel skade og/eller fabrikationsfejl eller på anden måde ikke fungerer i overensstemmelse med specifikationen inden for 24 måneder fra købsdatoen, påtager Black & Decker sig at reparere eller ombytte produktet med mindst mulig ulempe for kunden. Garantien gælder ikke for fejl og mangler, der er sket i forbindelse med:

- ◆ Produktet har været anvendt erhvervs-mæssigt eller til udlejning.
- ◆ Produktet har været anvendt forkert eller er ikke vedligeholdt.
- ◆ Produktet er beskadiget af fremmedlegemer, substanser eller pga. uheld.
- ◆ Garantien gælder ikke, hvis reparationer er udført af andre end et autoriseret Black & Decker-værksted.

For at udnytte garantien skal produktet og købskvitteringen indleveres til forhandleren eller til et autoriseret værksted. Kontakt det lokale Black & Decker-kontor på den adresse, der er opgivet i denne vejledning, for at få oplysninger om nærmeste autoriserede værksted. En liste over alle autoriserede Black & Decker-serviceværksteder samt servicevilkår og kontaktpersoner er tilgængelig på internettet på adressen: [www.2helpU.com](http://www.2helpU.com)

Gå venligst ind på vores website [www.blackanddecker.dk](http://www.blackanddecker.dk) for at registrere dit nye produkt og for at blive holdt ajour om nye produkter og specialtilbud. Der findes yderligere oplysninger om mærket Black & Decker og vores produktsortiment på adressen [www.blackanddecker.dk](http://www.blackanddecker.dk)

## Käyttötarkoitus

Black & Decker -puhallin/imuri on suunniteltu puunlehtien siivoamiseen. Laite on tarkoitettu vain kotikäyttöön ja vain ulkona.

## Laitteiden yleiset turvavaroitukset



**Varoitus!** Sähkölaitteita / johdottomia laitteita käytettäessä on aina noudatettava asianmukaisia turvaohjeita, jotta tulipalojen, sähköiskujen, henkilövahinkojen ja materiaalivaurioiden riski olisi mahdollisimman pieni.

- Lue nämä ohjeet huolellisesti ennen laitteen käyttöä. Tutustu hallintalaitteisiin ja opettele laitteen oikea käyttö.
- Käyttötarkoitus kuvataan ohjeissa. Muiden kuin ohjeissa suositeltujen lisävarusteiden tai -osien käyttö sekä laitteen käyttö muuhun kuin oppaassa suositeltuun tarkoitukseen voi aiheuttaa henkilövahingon vaaran.

Jäljempänä olevissa varoituksissa käytetyllä käsitteellä "laite" tarkoitetaan verkkokäyttöisiä laitteita (joissa on verkkojohto) tai akkukäyttöisiä laitteita (joissa ei ole verkkojohtoa).

## Säästä kaikki varoitukset ja ohjeet tulevaa käyttöä varten.

## Laitteen käyttö

- **Ole aina huolellinen käyttäessäsi laitetta.**
- Pidä työalue puhtaana ja hyvin valaistuna. Työpaikan epäjärjestys ja valaisemattomat työalueet voivat johtaa tapaturmiin.
- Käytä laitetta vain päivänvalossa tai hyvin valaistulla alueella.

- Älä käytä laitetta räjähdysalttiissa ympäristössä, jossa on palavaa nestettä, kaasua tai pölyä.
- Älä koskaan anna lasten tai kenenkään, joka ei ole lukenut käyttöohjetta, käyttää laitetta. Paikalliset säädökset saattavat määrittää käyttäjiä koskevia ikärajoituksia.
- Älä anna lasten tai eläinten tulla lähelle työskentelyaluetta tai koskea laitteen virtajohtoon.
- Pidä lapset, sivulliset ja eläimet loitolla laitetta käyttäessäsi. Voit menettää laitteesi hallinnan huomiosi suuntautuesssa muualle.
- Laitetta ei tule käyttää leluna.
- Älä upota laitetta veteen.
- Älä avaa laitteen koteloa. Sen sisällä ei ole käyttäjän huollettavissa olevia osia.

## Henkilöturvallisuus

- Ole valpas, keskity työhön ja noudata tervettä järkeä laitteen käytössä. Älä käytä laitetta, jos olet väsynyt tai huumaiden, alkoholin tai lääkkeiden vaikutuksen alaisena. Hetken tarkkaamattomuus laitetta käytettäessä saattaa johtaa vakavaan loukkaantumiseen.
- Käytä tarvittaessa henkilökohtaisia suojarusteita. Suojarusteet, kuten suojalasit, hengityssuojain, luistamattomat turvajalkineet, kypärä ja kuulosuojaimet, pienentävät loukkaantumisriskiä, jos niitä käytetään tilanteen mukaan oikein.

- Vältä tahatonta käynnistämistä. Varmista, että virta on katkaistu käyttökytkimellä, ennen kuin liität laitteen virtalähteeseen ja/tai akkuun, nostat laitteen tai kannat sitä. Onnettomuusvaara lisääntyy, jos kannat laitetta sormi käyttökytkimellä tai kytket laitteen virtajohton pistorasiaan, kun käyttökytkin on päällä.
- Älä kurkota. Seiso aina tukevasti ja tasapainossa. Niin voit paremmin hallita laitetta odottamattomissa tilanteissa.
- Käytä tarkoitukseen sopivia vaatteita. Älä käytä väljiä työvaatteita tai koruja. Pidä hiukset, vaatteet ja käsineet loitolla liikkuvista osista. Väljät vaatteet, korut ja pitkät hiukset voivat takertua liikkuviin osiin.

## Laitteiden käyttö ja hoito

- Tarkista ennen laitteen käyttöä, ettei laitteessa ole vahingoittuneita tai viallisia osia. Tarkista osien ja kytkimien kunto sekä muut seikat, jotka voivat vaikuttaa laitteen toimintaan.
- Älä käytä laitetta, jota ei voida käynnistää ja pysäyttää virtakytkimestä. Laitte, jota ei enää voida käynnistää ja pysäyttää käynnistyskytkimellä, on vaarallinen, ja se täytyy korjata.
- Irrota pistotulppa pistorasiasta ja/tai akku laitteesta, ennen kuin suoritat säätöjä, vaihdat tarvikkeita tai siirät laitteen varastoitavaksi. Tällä tavoin pienennetään laitteen tahattoman käynnistymisen mahdollisuutta.

- Pidä mahdolliset leikkausterät terävinä ja puhtaina. Huolellisesti hoidetut leikkausterät, joiden leikkausreunat ovat teräviä, eivät tartu helposti kiinni, ja niitä on helpompi hallita.
- Älä käytä laitetta, jos jokin osa on vahingoittunut tai viallinen.
- Korjauta tai vaihdata vaurioituneet tai vialliset osat valtuutetussa huoltoliikenteessä.
- Älä koskaan yritä korjata tai vaihtaa muita kuin tässä käyttöohjeessa erikseen määriteltyjä osia.

## Sähköturvallisuus

- Laitteen pistokkeen tulee sopia pistorasiaan. Pistoketta ei saa muuttaa millään tavalla. Älä käytä maadoitetuissa laitteissa mitään pistorasiasovittimia. Alkuperäiset pistokkeet ja niille sopivat pistorasiat vähentävät sähköiskun vaaraa.
- Älä käytä laitetta sateessa tai märissä olosuhteissa. Laitteen sisään joutunut vesi voi aiheuttaa sähköiskun.
- Älä käsittele virtajohtoa kovakouraisesti. Älä käytä sitä laitteen kantamiseen, vetämiseen tai pistokkeen irrottamiseen pistorasiasta. Pidä johto loitolla kuumuudesta, öljystä, terävistä reunoista ja liikkuvista osista. Vahingoittuneet tai sotkeutuneet johdot lisäävät sähköiskun vaaraa.
- Käyttäessäsi laitetta ulkona käytä ainoastaan ulkokäyttöön soveltuvaa jatkojohtoa. Ulkokäyttöön soveltuvan jatkojohton käyttö pienentää sähköiskun vaaraa.

- Jos laitetta on välttämättä käytettävä kosteassa paikassa, käytä jäännös-virtalaitteella (RCD) suojattua virtalähdettä. Jäännösvirtalaitteen käyttö vähentää sähköiskun vaaraa.

## Käytön jälkeen

- Kun laitetta ei käytetä, säilytä sitä kuivassa, hyvin tuuletetussa paikassa poissa lasten ulottuvilta.
- Pidä laite lasten ulottumattomissa.
- Kun laitetta säilytetään tai kuljetetaan ajoneuvossa, sijoita se tavaratilaan tai kiinnitä se kunnolla, ettei se matkan aikana pääse liikkumaan.

## Huolto

- Korjauta laite koulutetulla ja ammattitaitoisella henkilöllä ja hyväksy korjauksiin vain alkuperäisiä varaosia. Siten varmistat, että laite säilyy turvalisena.

## Puhallin/imuria koskevat lisäturvaohjeet

Käyttötarkoitus kuvataan ohjeissa. Käytä laitetta ainoastaan sellaiseen työhön, johon se on tarkoitettu, ja käytä vain käyttöohjeessa ja tuotekuvastossa suositeltuja tarvikkeita ja lisälaitteita. Ohjeesta poikkeava käyttö voi aiheuttaa henkilö- ja/tai omaisuusvahinkoja.

- Suojaa jalkateräsi ja sääresi laitteen käytön aikana käyttämällä aina tukevia jalkineita ja pitkiä housuja.
- Älä käytä laitetta imuritilassa, elleivät imuriputket ja keräyspussi ole paikoillaan.

- Sammuta laite, anna puhallinyksikön pysähtyä ja irrota virtajohto virtalähteestä, kun
  - siirät laitteen puhallintilasta imuritilaan
  - virtakaapeli on vahingoittunut tai sotkeutunut
  - poistut laitteen läheisyydestä
  - selvität tukosta
  - tarkastat, säädät, puhdistat tai huollat laitetta
  - laite alkaa täristä epänormaalisti.
- Älä aseta imurin otto- tai poistoaukkoa silmien tai korvien lähelle laitteen ollessa käynnissä. Älä koskaan puhalla roskia sivullisia kohti.
- Älä käytä laitetta sateessa tai jätä sitä ulos sateeseen.
- Älä kulje hiekkapolkujen tai -teiden yli, kun laite on käynnissä puhallin-/imuritilassa. Kävele, älä juokse.
- Älä aseta laitetta maahan hiekan päälle, kun laite on käynnissä.
- Varmista tukeva jalansija etenkin rinteissä. Älä kurkota ja seiso aina tukevasti tasapainossa.
- Älä imuroi aineita, joiden seassa voi olla syttyviä tai tulenarkoja nesteitä, kuten bensiiniä. Älä käytä laitetta tiloissa, joissa edellä mainittuja aineita saattaa olla.
- Älä aseta mitään esineitä laitteen aukokoihin. Älä käytä laitetta, jos sen aukot ovat tukkeutuneet. Puhdista aukot hiuksista, nukasta, pölystä ja muista hiukkasista, jotka voivat vähentää ilmavirtausta.



**Varoitus!** Käytä laitetta aina tämän käyttöoppaan ohjeiden mukaan. Laitte on tarkoitettu käytettäväksi pystyasennossa, ja sen käyttäminen muulla tavalla voi aiheuttaa vamman. Älä käynnistä laitetta sen ollessa kyljellään tai ylösalaisin.

- Laitteen käyttäjä on vastuussa muille henkilöille tai omaisuudelle aiheutuneista onnettomuuksista tai vaaratilanteista.
- Älä kanna laitetta kaapelista.
- Sijoita kaapeli aina taaksepäin pois päin laitteesta.

**Varoitus!** Jos johto vahingoittuu käytön aikana, irrota virtajohto heti virtalähteestä. Älä kosketa virtajohtoa, ennen kuin olet irrottanut sen virtalähteestä.

- Älä puhdista laitetta liuottimilla tai puhdistusnesteillä. Irrota ruoho ja lika tylpällä kaapimella.
- Varmista säännöllisesti, ettei keräyspussi ole kulunut tai rikkoutunut.
- Puhallinyksiköitä myyvät Black & Decker -tuotteiden jälleenmyyjät. Käytä ainoastaan Black & Deckerin suosittelamia varaosia ja lisävarusteita.
- Turvallisuussyistä tulee varmistaa, että kaikki laitteen mutterit, pultit ja ruuvit on kiristetty.

## Muiden turvallisuus

- Tämä laite soveltuu yli 8-vuotiaiden lasten ja sellaisten henkilöiden käyttöön, joilla on fyysisiä tai älyllisiä rajoitteita tai aistirajoitteita, kuten myös laitteen toimintaan perehtymättömien henkilöiden käyttöön, jos heitä valvotaan tai jos he ovat saaneet laitteen turvalliseen käyttöön liittyvää opastusta ja ymmärtävät laitteen käyttöön liittyvät vaarat. Älä anna lasten leikkiä laitteella. Puhdistus- ja huoltotoita ei saa jättää lapsille ilman valvontaa.
- Lapsia on valvottava ja heitä on estettävä leikkimästä laitteella.

## Sähköturvallisuus



Tämä laite on kaksoiseristetty, joten erillistä maadoitusta ei tarvita. Tarkista aina, että virtalähde vastaa arvokilvessä ilmoitettua jännitettä.

- Jos virtajohto vahingoittuu, sen vaihtaminen on turvallisuussyistä jätettävä valmistajan tai valtuutetun Black & Decker -huollon tehtäväksi.
- Sähköturvallisuutta voi parantaa käyttämällä erittäin herkkää (30 mA) vikavirtasuojaa.

## Jatkojohdon käyttäminen

Käytä aina oikeanlaista jatkojohtoa, joka sopii tämän laitteen virransyöttöliitäntään (katso kohta Tekniset tiedot). Jatkojohdon on oltava ulkokäyttöön soveltuva ja siinä on oltava vastaava merkintä. Laitteen kanssa voidaan käyttää enintään 30 m pitkää 1.5 mm<sup>2</sup>:n HO5V V-F -jatkojohtoa ilman tehon heikkenemistä. Tarkista jatkojohdon kunto ennen sen käyttämistä. Vahingoittunut tai viallinen kaapeli on vaihdettava. Jos käytät jatkojohtokelaa, kelaa johto aina täysin auki.

## Muut riskit.

Muut riskit ovat mahdollisia, jos käytät työkalua muulla kuin turvavaroituksissa mainitulla tavalla. Nämä riskit voivat liittyä muun muassa virheelliseen tai pitkäaikaiseen käyttöön.

Tiettyjä jäännösriskejä ei voi välttää, vaikka noudatat kaikkia turvamääräyksiä ja käytät turvalaitteita. Näihin kuuluvat muun muassa

- pyörivien tai liikkuvien osien kosketamisen aiheuttamat vahingot
- osia, teriä tai lisävarusteita vaihdettaessa aiheutuneet vahingot
- työkalun pitkäaikaisen käytön aiheuttamat vahingot Kun käytät työkalua pitkään, varmista, että pidät säännöllisesti taukoja.
- kuulovauriot
- työkalua käytettäessä (esimerkiksi puuta, erityisesti tammea, pyökkiä ja MDF-levyjä, käsiteltäessä) syntyneen pölyn sisäänhengityksen aiheuttamat terveysriskit

## Laitteessa olevat merkinnät

Työkalussa on seuraavat kuvake-merkinnät:



**Varoitus!** Lue käyttöohje ennen laitteen käyttöönottoa.



Käytä suojalaseja, kun käytät laitetta.



Käytä asianmukaisia kuulosuojaimia, kun käytät laitetta.



Älä käytä työkalua sateessa tai erittäin kosteissa olosuhteissa tai jätä sitä ulos sateeseen.



Sammuttaminen: irrota verkkojohto pistorasiasta ennen puhdistamista tai huoltamista.



Varo sinkoilevia esineitä.



Pidä sivulliset loitolla.



Direktiivin 2000/14/EY mukainen taattu ääniteho.

## Yleiskuvaus

1. Nopeudensäätö
2. Kaapelin pitosilmukka
3. Keräyspussi
4. Ylempi puhallinputki
5. Alempi puhallinputki
6. Ylempi imuriputki
7. Keskimäinen imuriputki
8. Alempi imuriputki

9. Rikkaimurin vapautuspainike
10. Pussin vapautuspainike
11. Konepää
12. Lisäkahva

## Kokoaminen



**Varoitus!** Varmista ennen kokoamista, että laitteesta on virta katkaistu ja että virtajohto on irti pistorasasta.



**Varoitus!** Käytä aina suojakäsineitä käsitellessäsi puhallin/imuria.

## Imuriputken kokoaminen (kuva A)

Imuriputket on kiinnitettävä yhteen ennen laitteen käyttöä.

**Varoitus!** Älä käytä laitetta, jos imuriputket ovat erillään.

- ◆ Voit helpottaa kiinnittämistä voitelemalla kiinnityskohdan saippuavedellä.
- ◆ Kohdista toisiinsa lovet (13) ja kolmiot (14) ylemmässä (6) ja keskimmaisessä (7) imuriputkessa.
- ◆ Työnnä ylempää imuriputkea (6) voimakkaasti keskimäisen imuriputken (7) sisään, kunnes kolmiot napsahtavat paikoilleen.
- ◆ Kohdista toisiinsa lovet (13) ja kolmiot (14) keskimmaisessä (7) ja alemmassa (8) imuriputkessa.
- ◆ Työnnä keskimmäistä imuriputkea (7) voimakkaasti alemman imuriputken (8) sisään, kunnes kolmiot napsahtavat paikoilleen.

**Varoitus!** Älä irrota putkia, kun ne on kiinnitetty.

## Lisäkahvan kiinnittäminen (kuva B) (vain GW3050)

- ◆ Pidä molemmat kahvapidikkeen sivulla olevat painikkeet (15) alhaalla.
- ◆ Työnnä lisäkahva (12) paikalleen painikkeiden (15) yli.

**Huomautus:** Varmista, että oranssi painike on samalla puolella kuin kahvan suuri reikä.

**Varoitus!** Varmista, että painikkeen hampaat ovat kahvan koloissa ja että kahva on kiinni.

## Lisäkahvan asennon säätäminen (kuva C) (vain GW3050)

Säädä lisäkahvan (12) asento niin, että trimmeri pysyy tasapainossa ja sen käyttömukavuus on mahdollisimman hyvä.

- ◆ Pidä kahvan vasemmalla puolella oleva painike (15) alhaalla.
- ◆ Kierrä lisäkahva (12) haluttuun asentoon.
- ◆ Vapauta painike (15).

**Varoitus!** Varmista, että painikkeen hampaat ovat kahvan koloissa ja että kahva on kiinni.

## Puhallinputken kokoaminen (kuva D)

- ◆ Kohdista ylemmän puhallinputken (4) kaksi kohdistuspistettä (16) ja alemman puhallinputken (5) kaksi kohdistuspistettä (17).
- ◆ Työnnä ylempää puhallinputkea (4) voimakkaasti alemman puhallinputken (5) sisään, kunnes ne napsahtavat paikoilleen.

**Varoitus!** Älä irrota putkia, kun ne on kiinnitetty.

## Keskittimen kiinnittäminen ja irrottaminen (kuva D)

- ◆ Liu'uta keskitin (30) voimakkaasti alemman puhallinputken (5) alareunaan. Kiinnitä keskitin paikoilleen napsauttamalla salpa (31) kiinnikkeeseen (32).
- ◆ Poista nostamalla kiinnikettä (32) ja liu'uttamalla keskitin (8) pois alemman puhallinputken (5) alareunasta.

## Työstöterän kiinnittäminen ja poistaminen (kuva E) (vain GW3050 & GW2838)

- ◆ Aseta työstöterä (18) alemman puhallinputken (5) alaosan kiinnikkeen (19) yläpuolelle.
- ◆ Paina alaspäin ja liu'uta työstöterä (18) voimakkaasti kiinnikkeeseen (19), kunnes se napsahtaa paikalleen.
- ◆ Poista nostamalla työstöterän vapautinta (20) ja liu'uta työstöterä (18) pois kiinnikkeestä (19).

## Käyttö

### Käynnistys ja pysäytys (kuva F)

**Varoitus!** Pidä laitteesta kiinni tukevasti käynnistäessäsi laitteen.

- ◆ Käynnistä laite kiertämällä nopeudensäätönuppia (1) myötäpäivään haluttuun asentoon.
- ◆ Sammuta laite kiertämällä nopeudensäätönuppia (1) vastapäivään haluttuun virta katkaistu -asentoon.

### Kaapelinpidike (kuva G)

Konepään takaosassa on kaapelin pitosilmukka (2).

- ◆ Pujota kaapeli (21) kaapelin pitosilmukan (2) läpi.

### Laitteen käyttäminen

**Varoitus!** Käytä suojalaseja, kun käytät puhallinta tai imuria. Jos ympäristö on pölyinen, käytä myös hengityssuojainta.

**Varoitus!** Sammuta laite, anna puhallinyksikön pysähtyä ja irrota virtajohto virtalähteestä, ennen kuin säädät tai huollat laitetta.

### Puhallintila (kuvat H ja I)

- ◆ Kiinnitä puhaltimen kansi (22) konepäähän (11) kuvan nuolen osoittamalla tavalla, taita osat yhteen ja paina rikkaimurin vapautuspainiketta (9), kunnes salpa (23) on täysin lukittu. (kuva H)
- ◆ Kohdista koottu puhallinputki konepään (11) kanssa.

- ◆ Paina koottua puhallinputkea imurin poistoaukkoon (25), kunnes lukko kiinnittyy kunnolla puhallinputkeen.

**Varoitus!** Älä koskaan käytä laitetta puhallintilassa, jos puhallinputki ja puhaltimen kansi eivät ole kunnolla paikoillaan.

- ◆ Pidä puhallinputkea noin 180 mm:n korkeudella maasta ja käynnistä laite. Kävele hitaasti ja liikuta laitetta pyyhkivin liikkein puolelta toiselle. Pidä keräytyneet roskat/lehdet edessäsi (kuva I).
- ◆ Kun olet puhaltanut roskat/lehdet kasaksi, voit siirtää laitteen imuritilaan ja kerätä roskat/lehdet.

### Puhallinputken ja puhaltimen kannen irrottaminen

- ◆ Irrota puhallinputki painamalla pussin vapautuspainiketta (10) ja vedä putki pois varmistaen, ettei putki putoa maahan.
- ◆ Irrota puhaltimen kansi (22) painamalla rikkaimurin vapautuspainiketta (9) ja vedä puhaltimen kansi (22) pois varmistaen, ettei puhaltimen kansi putoa maahan.

### Imuritila (kuva H, J ja K)

**Huomautus:** Keräyspussi (3) on kiinnitettävä, jos laitetta käytetään imurointiin/raastamiseen.

- ◆ Irrota puhaltimen kansi (22) painamalla rikkaimurin vapautuspainiketta (9) ja vedä puhaltimen kansi (22) pois varmistaen, ettei puhaltimen kansi putoa maahan.
- ◆ Kiinnitä keräyspussi (3) imurin poistoaukkoon (25) painamalla sitä tiukasti, kunnes se napsahtaa paikalleen.
- ◆ Kiinnitä koottu imuriputki konepäähän (11) kuvan nuolen osoittamalla tavalla, taita osat yhteen ja paina rikkaimurin vapautuspainiketta (9), kunnes salpa on täysin lukittu.
- ◆ Aseta keräyspussin hihna olkapääsi yli (kuva K). Näin pystyt paremmin kannattelemaan lisäpainoa keräyspussin täytyessä. Vaihtoehtoisesti keräyspussi voidaan kiinnittää tukipidikkeeseen (28 - kuva A) ylempään imuriputkeen (4) ja nauha voidaan kiinnittää konepäähän (11) koukkuun (29).
- ◆ Aseta imuriputki hieman roskien/lehtien yläpuolelle. Käynnistä laite ja liikuta sitä pyyhkivin liikkein. Laite imee roskat/lehdet putkeen, repii ne ja puhalttaa ne keräyspussiin (kuva K).
- ◆ Kun pussi täyttyy, imuteho pienenee. Sammuta tällöin laite ja irrota se virtalähteestä.
- ◆ Avaa pussin vetoketju ja tyhjennä sen sisältö, ennen kuin jatkat työskentelyä.

**Varoitus!** Älä koskaan irrota keräyspussia, ennen kuin olet sammuttanut laitteen ja kytkenyt sen irti virtalähteestä.

**Huomautus:** Jos imuteho heikkenee mutta pussi ei ole täynnä, roskat ovat luultavasti tukkineet imuriputken. Sammuta imuri, kytke se irti virtalähteestä ja tyhjennä putki, ennen kuin jatkat työskentelyä.

## Vianmääritys

Ongelma	Mahdollinen ratkaisu
Laite ei toimi	Tarkista kytkentä virtalähteeseen.
	Tarkista pistokkeessa oleva sulake ja vaihda se tarvittaessa (vain Iso-Britannia).
	Tarkista, että puhallin-/imuriputki on kiinnitetty oikein konepäähän.
	Jos sulake palaa jatkuvasti, irrota laite heti virtalähteestä ja ota yhteys paikalliseen Black & Decker -huoltoilikkeeseen.
Huono imuteho / korkea sivuääni	Sammuta laite ja irrota se virtalähteestä. Roskien/lehtien pitäisi putoa ulos putkesta.
	Irrota ja tyhjennä keräyspussi.
	Tarkista, että imuriputken otto- ja poistoaukko ovat tyhjiä.
	Poista kaikki roskat/lehdet puhallinyksikön alueelta.
Jos imuteho on jatkuvasti huono, irrota laite heti virtalähteestä ja ota yhteys paikalliseen Black & Decker -huoltoilikkeeseen.	
Repimisteho on huono	Sammuta laite ja irrota se virtalähteestä. Irrota keräyspussi.
	Irrota imuriputki ja tarkasta puhallinyksikkö.
	Puhdista kaikki roskat/lehdet puhallinyksikön siivistä.
Jos puhallinyksikkö on murtunut tai vahingoittunut, älä käytä laitetta. Ota yhteys paikalliseen Black & Decker -huoltoilikkeeseen.	

## Huolto

Black & Decker -laitteesi on suunniteltu toimimaan mahdollisimman pitkään mahdollisimman vähällä huollolla. Oikealla huollolla ja säännöllisellä puhdistuksella laite säilyy hyvässä toimintakunnossa.

- ◆ Pidä laite puhtaana ja kuivana.
- ◆ Poista kaikki roskat/lehdet imuriputken sisältä.
- ◆ Puhdista ilma-aukot puhtaalla, kuivalla maalisiveltimellä.
- ◆ Puhdista keräyspussi säännöllisesti ja varmista, että se on tyhjä ja puhdas käytön jälkeen.
- ◆ Käytä laitteen puhdistukseen vain mietoa saippuuliuosta ja kosteaa liinaa. Älä koskaan päästä nestettä valumaan työkalun sisään äläkä upota mitään työkalun osaa nesteeseen. Älä käytä hankaavia tai liuotinpohjaisia puhdistusaineita.
- ◆ Laitteessa on itsevoitelvat laakerit, joten voitelu ei ole tarpeen.

**Virtapistokkeen vaihto (vain Iso-Britannia ja Irlanti)**

Jos joudut vaihtamaan virtapistokkeen:

- ◆ Hävitä vanha pistoke ympäristöstävällisesti.
- ◆ Liitä ruskea johto uuden pistokkeen jännitteeseen napaan.
- ◆ Liitä sininen johto tähtipisteliittimeen.

**Varoitus!** Maadoitusliittimeen ei liitetä johtoa. Noudata pistokkeen mukana toimitettuja kiinnitysohjeita. Suositeltava sulake: 13 A.

**Ympäristönsuojelu**

Erillinen keräys. Tätä tuotetta ei saa hävittää normaalin kotitalousjätteen mukana.

Kun Black & Decker -laitteesi aikanaan täytyy vaihtaa tai ei kelpaa enää käyttöön, älä hävitä laitetta kotitalousjätteen mukana. Toimita laite kierrätettäväksi.



Käytettyjen tuotteiden ja pakkausmateriaalien erilliskeruun avulla materiaalit voidaan kierrättää ja käyttää uudelleen. Kierrätysmateriaalien käyttö auttaa vähentämään ympäristön saastumista ja uusien raaka-aineiden tarvetta.

Paikallisissa säädöksissä voidaan määrätä, että kodin sähkötuotteiden keruu tapahtuu kaupunkien jätteidenkäsittelyasemilla tai laitteita myyvissä liikkeissä uuden tuotteen oston yhteydessä.

Kun laitteesi on käytetty loppuun, älä hävitä sitä tavallisten roskien mukana. Vie tuotteesi valtuutettuun huoltoliikkeeseen, joka kerää vanhat laitteet puolestamme.

Saat valtuutettujen huoltoliikkeiden yhteystiedot ottamalla yhteyden Black & Decker Oy:hyn tässä käyttöoppaassa ilmoitetussa osoitteessa. Valtuutettujen Black & Decker -huoltoliikkeiden yhteystiedot sekä lisätietoja palveluistamme ja takauhedoista on myös Internetissä osoitteessa [www.2helpU.com](http://www.2helpU.com)

**Tekniset tiedot**

		GW2810 GW2838 (Tyyppi 1)	GW3030 (Tyyppi 1)	GW3050 (Tyyppi 1)
Syöttöjännite	$V_{AC}$	230	230	230
Ottoteho	W	2800	3000	3000
Kapasiteetti	l	50	50	50
Paino (puhallin)	mm	3.45	3.7	3.7
Paino (imuri)	mm	4.85	4.85	4.85

Tärinän kokonaisarvot (vektorisumma) standardin EN 60745 mukaisesti:

Tärinä ( $a_{tr}$ ) 9.8 m/s<sup>2</sup>, epätarkkuus (K) 1.5 m/s<sup>2</sup>

**EY-vaatimustenmukaisuusvakuutus**

KONEDIREKTIIVI  
ULKOILMAMELUDIREKTIIVI



GW2810 GW2838, GW3030, GW3050

Black & Decker ilmoittaa, että tuotteet, jotka on kuvattu kohdassa Tekniset tiedot, täyttävät seuraavien direktiivien vaatimukset:  
2006/42/EY, EN 60335

2000/14/EY, puhallin/imuri, liite V  
KEMA Quality B.V., Utrechtseweg 310, 6802 ED Arnhem,  
Alankomaat

Ilmoitetun elimen tunnusnumero: 0344

Äänitehotaso mitattuna standardin 2000/14/EY mukaisesti (Artikla 13, liite III):

$L_{WA}$  (mitattu ääniteho) 104 dB(A)

Epätarkkuus = 3 dB(A)

$L_{WA}$  (taattu ääniteho) 107 dB(A)

Epätarkkuus = 3 dB(A)

Nämä tuotteet täyttävät myös direktiivien 2004/108/EY ja 2011/65/EU vaatimukset.

Lisätietoja saa ottamalla yhteyden Black & Deckeriin seuraavassa osoitteessa. Tiedot ovat myös käyttöoppaan takakannessa.

Allekirjoittanut vastaa teknisten tietojen kokoamisesta ja antaa tämän ilmoituksen Black & Deckerin puolesta.

Kevin Hewitt

Vice-President Global Engineering  
Black & Decker Europe, 210 Bath Road, Slough,  
Berkshire, SL1 3YD

Iso-Britannia

10/04/2013

## Takuu

Black & Decker takaa, ettei tuotteessa ole materiaali- ja/tai valmistusvikaa silloin, kun se toimitetaan ostajalle. Takuu on lisäys kuluttajan laillisiin oikeuksiin eikä vaikuta niihin. Takuu on voimassa Euroopan unionin jäsenmaissa ja Euroopan vapaakauppa-alueella (EFTA).

Mikäli Black & Decker -kone hajoaa materiaali- ja/tai valmistusvirheen tai teknisten tietojen epätarkkuuden vuoksi 24 kk:n kuluessa ostopäivästä, Black & Decker korjaa koneen ilman kustannuksia ostajalle tai vaihtaa sen Black & Decker Oy:n valinnan mukaan. Takuu ei kata vikoja, jotka johtuvat seuraavista:

- ◆ Tuotetta on käytetty kaupallisesti, ammattimaisesti tai vuokraukseen.
- ◆ Tuotetta on käytetty tai hoidettu virheellisesti.
- ◆ Tuotetta on vahingoitettu vieraalla esineellä tai aineella tai se on ollut onnettomuudessa.
- ◆ Jos korjauksia on yrittänyt joku muu kuin Black & Deckerin valtuuttama edustaja tai Black & Deckerin henkilökunta.

Edellytyksenä takuun saamiselle on, että ostaja jättää koneen ja ostokuitin jälleenmyyjälle tai valtuutetulle huoltoliikkeelle.

Saat valtuutettujen huoltoliikkeiden yhteystiedot ottamalla yhteyden Black & Decker Oy:hyn tässä käyttöoppaassa ilmoitetussa osoitteessa. Valtuutettujen Black & Decker -huoltoliikkeiden yhteystiedot sekä lisätietoja palveluistamme ja takuuehdoista on myös Internetissä osoitteessa [www.2helpU.com](http://www.2helpU.com)

Voit rekisteröidä uuden Black & Decker -tuotteesi ja tarkastella tietoja uusista tuotteista ja erikoistarjouksista verkkosivuiltamme [www.blackanddecker.fi](http://www.blackanddecker.fi). Saat lisätietoja Black & Deckerin tavaramerkistä ja tuotevalikoimastamme osoitteesta [www.blackanddecker.fi](http://www.blackanddecker.fi).

**Ενδεξιμένη χρήση**

Αυτός ο φυσητήρας/αναροφητήρας της Black & Decker έχει σχεδιαστεί για τον καθαρισμό χώρων από φύλλα. Αυτή η συσκευή προορίζεται μόνο για ερασιτεχνική χρήση και μόνο για εξωτερικούς χώρους.

**Γενικές προειδοποιήσεις ασφαλείας για τη συσκευή**

**Προειδοποίηση!** Κατά τη χρήση συσκευών που τροφοδοτούνται με ηλεκτρικό ρεύμα/ χωρίς καλώδιο, θα πρέπει να λαμβάνονται πάντα οι βασικές προφυλάξεις ασφαλείας, συμπεριλαμβανομένων των παρακάτω, για τον περιορισμό του κινδύνου πυρκαγιάς, ηλεκτροπληξίας, τραυματισμού προσώπων και ολικών ζημιών.

- Διαβάστε ολόκληρο αυτό το εγχειρίδιο προσεκτικά πριν χρησιμοποιήσετε τη συσκευή, εξοικειωθείτε με τα χειριστήρια και τη σωστή χρήση της συσκευής.
- Η ενδεξιμένη χρήση περιγράφεται σε αυτό το εγχειρίδιο. Τόσο η χρήση εξαρτημάτων ή προσαρτημάτων όσο και η χρήση της συσκευής για εργασίες που δε συνιστώνται σε αυτό το εγχειρίδιο οδηγούν εν γένει κίνδυνο τραυματισμού.

Ο χαρακτηρισμός "συσκευή" που χρησιμοποιείται σε όλες τις παρακάτω προειδοποιήσεις αφορά τη συσκευή που συνδέεται στην πρίζα (με καλώδιο) ή που λειτουργεί με μπαταρία (χωρίς καλώδιο).

**Φυλάξτε όλες τις προειδοποιήσεις και τις οδηγίες για μελλοντική αναφορά.**

**Χρήση της συσκευής σας**

- **Προσέχετε πάντα όταν χρησιμοποιείτε τη συσκευή.**
- Διατηρείτε το χώρο εργασίας καθαρό και καλά φωτισμένο. Οι ακατάστατοι χώροι και τα σημεία χωρίς καλό φωτισμό προκαλούν ατυχήματα.
- Χρησιμοποιείτε τη συσκευή μόνο στο φως της ημέρας ή σε καλό τεχνητό φωτισμό.
- Μη χρησιμοποιείτε τη συσκευή σας σε περιβάλλον όπου υπάρχει κίνδυνος έκρηξης, π.χ. παρουσία εύφλεκτων υγρών, αερίων ή σκόνης.
- Ποτέ μην επιτρέπετε σε άτομα που δεν είναι εξοικειωμένα με τις οδηγίες χρήσης να χρησιμοποιήσουν τη συσκευή, τοπικοί κανονισμοί μπορεί να θέτουν περιορισμούς στην ηλικία του χειριστή.
- Μην επιτρέπετε σε παιδιά ή ζώα να πλησιάζουν στο χώρο εργασίας ή να αγγίζουν τη συσκευή ή το καλώδιο τροφοδοσίας.
- Όταν χρησιμοποιείτε μία συσκευή, κρατάτε τα παιδιά, άλλα άτομα και τα ζώα μακριά. Εάν αποσπαστεί η προσοχή σας μπορεί να χάσετε τον έλεγχο.
- Η συσκευή δεν πρέπει να χρησιμοποιείται ως παιχνίδι.
- Μη βυθίζετε τη συσκευή μέσα σε νερό.
- Μην ανοίγετε το περίβλημα του κυρίως τμήματος της συσκευής. Τα εξαρτήματα στο εσωτερικό δεν επιδέχονται επισκευή από τον χρήστη.

## Ασφάλεια προσώπων

- Προσέξτε, όταν χρησιμοποιείτε μια συσκευή, να συγκεντρώνετε στην εργασία που κάνετε και να επιστρατεύετε την κοινή λογική. Μη χρησιμοποιείτε μια συσκευή όταν είστε κουρασμένοι ή όταν βρίσκεστε υπό την επήρεια ναρκωτικών, οινοπνεύματος ή φαρμάκων. Μια στιγμιαία απροσεξία κατά το χειρισμό μιας συσκευής μπορεί να οδηγήσει σε σοβαρούς τραυματισμούς.
- Να χρησιμοποιείτε εξοπλισμό προσωπικής προστασίας όπου απαιτείται. Ο κίνδυνος τραυματισμών μειώνεται όταν χρησιμοποιείτε προστατευτικά ματιών, εξοπλισμό προστασίας, όπως μάσκα προστασίας από σκόνη, αντιολισθητικά παπούτσια ασφαλείας, κράνη ή ωτασπίδες, ανάλογα με τις συνθήκες εργασίας.
- Αποφεύγετε την ακούσια ενεργοποίηση. Βεβαιωθείτε ότι ο διακόπτης λειτουργίας βρίσκεται στη θέση "OFF" πριν συνδέσετε τη συσκευή στην πρίζα ή/και στην μπαταρία και πριν τη σηκώσετε ή τη μεταφέρετε. Η μεταφορά συσκευών με το δάχτυλό σας επάνω στο διακόπτη ή η σύνδεση στην πρίζα συσκευών με το διακόπτη στη θέση ενεργοποίησης, ενέχει κινδύνους πρόκλησης ατυχημάτων.

- Μην τεντώνετε. Φροντίστε πάντοτε να έχετε την κατάλληλη στάση και να διατηρείτε την ισορροπία σας. Αυτό σας επιτρέπει τον καλύτερο έλεγχο της συσκευής σε περιπτώσεις απροσδόκων καταστάσεων.
- Φοράτε κατάλληλη ενδυμασία εργασίας. Μη φοράτε φαρδιά ρούχα ή κοσμήματα. Κρατάτε τα μαλλιά, τα ενδύματα και τα γάντια σας μακριά από τα κινούμενα εξαρτήματα. Τα φαρδιά ρούχα, τα κοσμήματα και τα μακριά μαλλιά μπορεί να εμπλακούν στα κινούμενα μέρη.

## Χρήση και συντήρηση της συσκευής

- Πριν από τη χρήση, ελέγξτε τη συσκευή για τυχόν κατεστραμμένα ή ελαττωματικά εξαρτήματα. Ελέγξτε αν υπάρχουν σπασμένα εξαρτήματα, ζημιά σε διακόπτες και οτιδήποτε άλλο που μπορεί να επηρεάσει τη λειτουργία της.
- Μη χρησιμοποιείτε τη συσκευή εάν ο διακόπτης λειτουργίας είναι χαλασμένος. Μια συσκευή της οποίας η λειτουργία δεν μπορεί να ελεγχθεί με το διακόπτη είναι επικίνδυνη και πρέπει να επισκευαστεί.



- Βγάλτε το φως από την πρίζα ή/και την μπαταρία από τη συσκευή, πριν διεξάγετε κάποια εργασία ρύθμισης, πριν αλλάξετε κάποιο εξάρτημα ή όταν πρόκειται να αποθηκεύσετε τις συσκευές. Αυτά τα προληπτικά μέτρα ασφαλείας μειώνουν τον κίνδυνο να τεθεί η συσκευή ακούσια σε λειτουργία.
- Όπου εφαρμόζεται, διατηρείτε τα κοπτικά εργαλεία κοφτερά και καθαρά. Τα κοπτικά εργαλεία με αιχμηρά κοπτικά άκρα που συντηρούνται σωστά έχουν λιγότερες πιθανότητες να μπλοκάρουν και ελέγχονται ευκολότερα.
- Μη χρησιμοποιείτε τη συσκευή, αν κάποιο εξάρτημά της έχει καταστραφεί ή παρουσιάζει ελάττωμα.
- Φροντίστε να γίνει η επίσκεψη ή η αντικατάσταση των τυχόν ελαττωματικών εξαρτημάτων από εξουσιοδοτημένο κέντρο επισκευών.
- Μη επιχειρήσετε ποτέ να αφαιρέσετε ή να αντικαταστήσετε οποιοδήποτε εξάρτημα, εκτός από αυτά που καθορίζονται σε αυτό το εγχειρίδιο.

## Ασφαλής χρήση ηλεκτρικού ρεύματος

- Το φως της συσκευής πρέπει να ταιριάζει στην αντίστοιχη πρίζα. Δεν επιτρέπεται με κανέναν τρόπο η μετασκευή του φως. Μη χρησιμοποιείτε προσαρμοστικά φως με γειωμένες συσκευές. Τα φως που δεν έχουν υποστεί τροποποιήσεις και οι κατάλληλες πρίζες μειώνουν τον κίνδυνο ηλεκτροπληξίας.
- Μην εκθέτετε τη συσκευή στη βροχή ή στην υγρασία. Η διείσδυση νερού στη συσκευή αυξάνει τον κίνδυνο ηλεκτροπληξίας.
- Μην κακομεταχειρίζεστε το καλώδιο. Μη χρησιμοποιείτε ποτέ το καλώδιο για να μεταφέρετε τη συσκευή, να την τραβήξετε ή να την αποσυνδέσετε από την πρίζα. Κρατάτε το καλώδιο μακριά από θερμότητα, λάδια, αιχμηρά άκρα ή κινούμενα εξαρτήματα. Τυχόν χαλασμένα ή μπερδεμένα καλώδια αυξάνουν τον κίνδυνο ηλεκτροπληξίας.
- Όταν χρησιμοποιείτε μια συσκευή σε εξωτερικούς χώρους, να χρησιμοποιείτε πάντοτε καλώδια προέκτασης κατάλληλα για χρήση σε εξωτερικούς χώρους. Η χρήση προεκτάσεων κατάλληλων για εργασία σε εξωτερικούς χώρους μειώνει τον κίνδυνο ηλεκτροπληξίας.

- Εάν η χρήση μιας συσκευής σε μια υγρή τοποθεσία είναι αναπόφευκτη, χρησιμοποιήστε τροφοδοσία με Διάταξη Προστασίας Ρεύματος Διαρροής (RCD). Η χρήση μιας διάταξης RCD μειώνει τον κίνδυνο ηλεκτροπληξίας.

## Μετά τη Χρήση

- Όταν δε χρησιμοποιείται, η συσκευή πρέπει να φυλάσσεται σε στεγνό, καλά αεριζόμενο χώρο, μακριά από παιδιά.
- Τα παιδιά δεν πρέπει να έχουν πρόσβαση σε αποθηκευμένες συσκευές.
- Όταν η συσκευή φυλάσσεται ή μεταφέρεται με ένα όχημα, πρέπει να τοποθετείται στο χώρο αποσκευών ή να στερεώνεται ώστε να μη μετακινείται σε περίπτωση απότομων μεταβολών της ταχύτητας ή της κατεύθυνσης του οχήματος.

## Σέρβις

- Το σέρβις της συσκευής σας πρέπει να αναλαμβάνει έμπειρος τεχνικός που θα χρησιμοποιεί μόνο γνήσια ανταλλακτικά. Έτσι εξασφαλίζεται η διατήρηση της ασφάλειας της συσκευής.

## Συμπληρωματικές οδηγίες ασφαλείας για τους φυσητήρες/αναρροφητήρες

Η προοριζόμενη χρήση περιγράφεται σε αυτό το εγχειρίδιο. Η χρήση οποιουδήποτε αξεσουάρ ή προσαρτήματος ή η εκτέλεση με αυτή τη συσκευή οποιασδήποτε άλλης εργασίας πέρα από αυτές που συνιστώνται στο παρόν εγχειρίδιο οδηγιών ενδέχεται να εγκυμονεί κίνδυνο τραυματισμού ή/και υλικών ζημιών.

- Για την προστασία των ποδιών σας κατά τη χρήση της συσκευής, να φοράτε πάντα υποδήματα βαρέως τύπου και μακρύ παντελόνι.
- Μη χρησιμοποιείτε τη συσκευή σας σε λειτουργία αναρροφητήρα χωρίς τοποθετημένους τους σωλήνες αναρρόφησης και τη σακούλα περισυλλογής.
- Πάντα να απενεργοποιείτε το προϊόν σας, να αφήνετε τον ανεμιστήρα να σταματήσει εντελώς και να αποσυνδέετε το φις από την πρίζα, όταν:
  - Κάνετε αλλαγή από λειτουργία φυσητήρα σε λειτουργία αναρροφητήρα.
  - Το καλώδιο τροφοδοσίας έχει υποστεί ζημιά ή έχει μπλεχτεί κάπου.
  - Αφήνετε το προϊόν σας χωρίς επιτήρηση.
  - Καθαρίζετε σε περίπτωση απόφραξης.
  - Ελέγχετε, ρυθμίζετε, καθαρίζετε ή εργαζεστε πάνω στη συσκευή σας.

- Η συσκευή αρχίζει να δονείται με μη φυσιολογικό τρόπο.
- Μην τοποθετείτε το στόμιο εισαγωγής ή εξαγωγής του σωλήνα αναρρόφησης κοντά στα μάτια ή τα αυτιά κάποιου ατόμου κατά τη λειτουργία της συσκευής. Ποτέ μη φυσάτε τα άχρηστα υλικά προς την κατεύθυνση παρευρισκόμενων ατόμων.
- Μη χρησιμοποιείτε τη συσκευή στη βροχή και μην την αφήνετε σε εξωτερικό χώρο ενώ βρέχει.
- Μη διασχίζετε μονοπάτια ή δρόμους με χαλίκι με τη συσκευή σας ενεργοποιημένη σε λειτουργία φυσητήρα/αναρροφητήρα. Βαδίζετε αργά και σε καμία περίπτωση, μην τρέχετε.
- Μην τοποθετείτε τη συσκευή σας σε έδαφος με χαλίκι όταν είναι ενεργοποιημένη.
- Προσέχετε πάντα πώς βαδίζετε, ιδιαίτερα σε εδάφη με κλίση. Μην τεντώνεστε για να εργαστείτε σε σημεία που δεν φτάνετε καλά και να διατηρείτε συνεχώς την ισορροπία σας.
- Μην περισυλλέγετε υλικό στο οποίο μπορεί να έχει πέσει εύφλεκτο ή καύσιμο υγρό, όπως π.χ. βενζίνη, και μη χρησιμοποιείτε τη συσκευή σε περιοχές όπου μπορεί να υπάρχουν τέτοια υγρά.

- Μην τοποθετείτε αντικείμενα μέσα στα ανοίγματα της συσκευής. Σε καμία περίπτωση μη χρησιμοποιήσετε τη συσκευή εάν τα ανοίγματά της είναι φραγμένα - φροντίστε τα ανοίγματα να παραμένουν καθαρά από τρίχες, χνούδια, σκόνη ή οτιδήποτε άλλο που μπορεί να μειώσει τη ροή του αέρα.

**Προειδοποίηση!** Πάντα να χρησιμοποιείτε τη συσκευή σας με τον τρόπο που υποδεικνύεται στο παρόν εγχειρίδιο. Η συσκευή σας είναι σχεδιασμένη για χρήση σε όρθια θέση και εάν χρησιμοποιηθεί με οποιονδήποτε άλλο τρόπο, μπορεί να προκαλέσει τραυματισμό. Μη χρησιμοποιείτε τη συσκευή σας στηριγμένη σε μια από τις πλευρές της ή τοποθετημένη ανάποδα.

- Ο χειριστής ή χρήστης είναι πάντα υπεύθυνος για ατυχήματα ή κινδύνους που προκαλούνται σε τρίτους ή την ιδιοκτησία τους.
- Μη μεταφέρετε τη συσκευή από το καλώδιο της.
- Πάντα να κατευθύνετε το καλώδιο προς τα πίσω, μακριά από τη συσκευή.

**Προειδοποίηση!** Εάν το καλώδιο τροφοδοσίας υποστεί ζημιά κατά τη χρήση, αποσυνδέστε το αμέσως από την πρίζα. Μην αγγίζετε το καλώδιο τροφοδοσίας πριν το αποσυνδέσετε από την πρίζα.

- Μη χρησιμοποιείτε διαλύτες ή καθαριστικά υγρά για τον καθαρισμό του προϊόντος σας. Χρησιμοποιείτε μια μη αιχμηρή ξύστρα για να αφαιρέσετε το γρασιδί και το χώμα.
- Ελέγχετε τακτικά τη σακούλα περισυλλογής για τυχόν φθορές.
- Ανταλλακτικοί ανεμιστήρες είναι διαθέσιμοι από οποιοδήποτε εξουσιοδοτημένο κέντρο επισκευών της Black & Decker. Χρησιμοποιείτε σε ανταλλακτικά και αξεσουάρ που συνιστά η Black & Decker.
- Διατηρείτε καλά σφιγμένα όλα τα παξιμάδια, τα μπουλόνια και τις βίδες στη συσκευή προκειμένου να εξασφαλίζεται η ασφαλής κατάσταση λειτουργίας.

## Ασφάλεια τρίτων

- Αυτή η συσκευή μπορεί να χρησιμοποιηθεί από παιδιά ηλικίας 8 ετών και άνω καθώς και από άτομα με μειωμένες σωματικές, αισθητικές ή διανοητικές ικανότητες ή άτομα χωρίς εμπειρία και γνώσεις, μόνο εφόσον επιτηρούνται ή τους έχουν δοθεί οδηγίες σχετικά με την ασφαλή χρήση της συσκευής και έχουν κατανοήσει τους πιθανούς κινδύνους. Τα παιδιά δεν πρέπει να παίζουν με τη συσκευή. Ο καθαρισμός και η συντήρηση δεν πρέπει να γίνεται από παιδιά χωρίς επίβλεψη.
- Τα παιδιά πρέπει να επιτηρούνται για να διασφαλίζεται ότι δεν παίζουν με τη συσκευή.

## Ασφαλής χρήση ηλεκτρικού ρεύματος



Αυτή η συσκευή φέρει διπλή μόνωση, επομένως δεν απαιτείται σύρμα γείωσης. Ελέγχετε πάντοτε αν η τάση τροφοδοσίας αντιστοιχεί σε αυτήν που αναγράφεται στην πινακίδα τεχνικών χαρακτηριστικών.

- Αν το καλώδιο ρεύματος έχει υποστεί φθορά, η αντικατάστασή του πρέπει να γίνει από τον κατασκευαστή ή από ένα εξουσιοδοτημένο κέντρο της Black & Decker, ώστε να μην αποτελέσει κίνδυνο.
- Η ηλεκτρική ασφάλεια μπορεί να βελτιωθεί ακόμα περισσότερο με τη χρήση μιας Διάταξης Προστασίας Ρεύματος Διαρροής (RCD) 30 mA υψηλής ευαισθησίας.

## Χρήση καλωδίου προέκτασης

Χρησιμοποιείτε πάντα εγκεκριμένα καλώδια προέκτασης, κατάλληλα για την ισχύ εισόδου αυτού του εργαλείου (δείτε τεχνικά χαρακτηριστικά). Το καλώδιο προέκτασης πρέπει να είναι κατάλληλο για χρήση σε εξωτερικούς χώρους και να φέρει την αντίστοιχη σήμανση. Μπορείτε να χρησιμοποιήσετε ένα καλώδιο προέκτασης 1.5 mm<sup>2</sup> H05V V-F μήκους έως 30 m, χωρίς απώλειες απόδοσης. Πριν από τη χρήση, ελέγξτε προσεκτικά το καλώδιο προέκτασης για σημάδια

ζημιάς, φθοράς ή παλαίωσης. Αντικαταστήστε το καλώδιο προέκτασης αν παρουσιάσει ζημιά ή ελάττωμα. Όταν χρησιμοποιείτε καρούλι καλωδίου, πάντα να ξετυλίγετε το καλώδιο εντελώς.

### Αναπόφευκτοι κίνδυνοι.

Μπορεί να προκληθούν επιπρόσθετοι αναπόφευκτοι κίνδυνοι όταν χρησιμοποιείτε το εργαλείο οι οποίοι μπορεί να μη συμπεριλαμβάνονται στις προειδοποιήσεις ασφαλείας που εσωκλείονται. Αυτοί οι κίνδυνοι μπορεί να προκληθούν από κακή χρήση, παρατεταμένη χρήση κτλ. Ακόμα και με την τήρηση των σχετικών κανονισμών ασφαλείας και τη χρήση μέσων προστασίας, ορισμένοι κίνδυνοι δεν είναι δυνατό να εξαλειφθούν. Αυτοί περιλαμβάνουν:

- Τραυματισμούς από το άγγιγμα των περιστρεφόμενων/κινούμενων μερών.
- Τραυματισμούς από αλλαγή οπιοωνδήποτε εξαρτημάτων, λεπίδων ή αξεσουάρ.
- Τραυματισμούς από παρατεταμένη χρήση του εργαλείου. Όταν χρησιμοποιείτε οποιοδήποτε εργαλείο για παρατεταμένες χρονικές περιόδους βεβαιωθείτε ότι κάνετε τακτικά διαλείμματα.
- Προβλήματα ακοής.
- Κίνδυνοι στην υγεία που προκαλούνται από την εισπνοή σκόνης όταν χρησιμοποιείτε το εργαλείο (παράδειγμα:- όταν επεξεργάζεστε ξύλο, ειδικά δρυς, οξιά και MDF.)

### Ετικέτες στη συσκευή

Τα ακόλουθα εικονογράμματα εμφανίζονται στο εργαλείο:



#### Προειδοποίηση!

Διαβάστε το εγχειρίδιο οδηγιών πριν από τη λειτουργία.



Φοράτε προστατευτικά γυαλιά όταν χρησιμοποιείτε αυτή τη συσκευή.



Να φοράτε ωτασπίδες κατά το χειρισμό της συσκευής.



Μην εκθέτετε το εργαλείο στη βροχή ή σε υψηλή υγρασία και μην το αφήνετε στο υπαίθρο όταν βρέχει.



Απενεργοποιήστε τη συσκευή: πριν από τον καθαρισμό ή τη συντήρηση, βγάλτε τη συσκευή από την πρίζα.



Προσέχετε για τυχόν αντικείμενα που εκσφενδονίζονται.



Μην επιτρέπετε να πλησιάσουν άλλα άτομα.



Εγγυημένη ηχητική ισχύς κατά 2000/14/ΕΚ.

## Χαρακτηριστικά

1. Έλεγχος μεταβλητής ταχύτητας
2. Συγκρατητήρας καλωδίου
3. Σακούλα περισυλλογής
4. Επάνω σωλήνας φυσητήρα
5. Κάτω σωλήνας φυσητήρα
6. Επάνω σωλήνας αναρρόφησης
7. Μεσαίος σωλήνας αναρρόφησης
8. Κάτω σωλήνας αναρρόφησης
9. Κουμπί απελευθέρωσης αναρρόφησης
10. Κουμπί απελευθέρωσης σακούλας
11. Κινητήρια κεφαλή
12. Δεύτερη λαβή

## Συναρμολόγηση



**Προειδοποίηση!** Πριν από τη συναρμολόγηση, βεβαιωθείτε ότι η συσκευή είναι απενεργοποιημένη και αποσυνδεδεμένη από την πρίζα.



**Προειδοποίηση!** Να φοράτε πάντα προστατευτικά γάντια όταν εργάζεστε με το φυσητήρα/αναρροφητήρα.

## Συναρμολόγηση των σωλήνων αναρρόφησης (εικ.Α)

Οι σωλήνες αναρρόφησης πρέπει να συναρμολογηθούν σχηματίζοντας ένα ενιαίο συγκρότημα πριν από τη χρήση.

**Προειδοποίηση!** Μη λειτουργείτε τη συσκευή με τους σωλήνες αναρρόφησης διαχωρισμένους.

- ◆ Για να διευκολύνετε τη συναρμολόγηση, διαβρέξτε τις επιφάνειες ένωσης με σαπουνάδα.
- ◆ Ευθυγραμμίστε τις εγκοπές (13) και τα τρίγωνα (14) στον επάνω (6) και το μεσαίο (7) σωλήνα αναρρόφησης.
- ◆ Πιέστε με δύναμη τον επάνω σωλήνα αναρρόφησης (6) επάνω στον μεσαίο σωλήνα αναρρόφησης (7) μέχρι τα τρίγωνα να ασφαλισουν στη θέση τους.
- ◆ Ευθυγραμμίστε τις εγκοπές (13) και τα τρίγωνα (14) στο μεσαίο (7) και τον κάτω (8) σωλήνα αναρρόφησης.
- ◆ Πιέστε με δύναμη το μεσαίο σωλήνα αναρρόφησης (7) επάνω στον κάτω σωλήνα αναρρόφησης (8) μέχρι τα τρίγωνα να ασφαλισουν στη θέση τους.

**Προειδοποίηση!** Μη διαχωρίσετε τους σωλήνες μετά τη συναρμολόγησή τους.

## Τοποθέτηση της δεύτερης λαβής (εικ. Β) (GW3050 Μόνο)

- ◆ Πιέστε και κρατήστε τα δύο κουμπιά (15) στην πλευρά τοποθέτησης της λαβής.

- ◆ Σύρετε τη δεύτερη λαβή (12) στη θέση της επάνω από τα κουμπιά (15).

**Σημείωση:** Βεβαιωθείτε ότι το πορτοκαλί κουμπί βρίσκεται στην ίδια πλευρά με τη μεγάλη οπή στη λαβή.

**Προειδοποίηση!** Βεβαιωθείτε ότι τα δόντια στο κουμπί έχουν ευθυγραμμιστεί σωστά με τις εγκοπές στη λαβή και ότι η λαβή έχει ασφαλίσει.

## Προσαρμογή της θέσης της δεύτερης λαβής (εικ. C) (GW3050 Μόνο)

Η δεύτερη λαβή (12) μπορεί να ρυθμιστεί για να παρέχει άριστη ισορροπία και άνεση.

- ◆ Πιέστε το κουμπί (15) στην αριστερή πλευρά της λαβής.
- ◆ Περιστρέψτε τη δευτερεύουσα λαβή (12) στην απαιτούμενη θέση.
- ◆ Ελευθερώστε το κουμπί (15).

**Προειδοποίηση!** Βεβαιωθείτε ότι τα δόντια στο κουμπί έχουν ευθυγραμμιστεί σωστά με τις εγκοπές στη λαβή και ότι η λαβή έχει ασφαλίσει.

## Συναρμολόγηση του σωλήνα φυσητήρα (εικ. D)

- ◆ Ευθυγραμμίστε τους 2 δείκτες (16) στη βάση του επάνω σωλήνα φυσητήρα (4) και τους 2 δείκτες (17) στη βάση του κάτω σωλήνα φυσητήρα (5).
- ◆ Πιέστε με δύναμη τον επάνω σωλήνα φυσητήρα (4) μέσα στον κάτω σωλήνα φυσητήρα (5) μέχρι να ασφαλισουν στη θέση τους.

**Προειδοποίηση!** Μη διαχωρίσετε τους σωλήνες μετά τη συναρμολόγησή τους.

## Τοποθέτηση και αφαίρεση του συγκεντρωτή (εικ. D)

- ◆ Σύρετε το συγκεντρωτή (30) σταθερά στη κάτω άκρο του κάτω σωλήνα φυσητήρα (5). Στερεώστε το συγκεντρωτή ασφαρίζοντας την προεξοχή (31) στο κλιπ (32)
- ◆ Για να τον αφαιρέσετε, ανασηκώστε το κλιπ (32) και σύρετε το συγκεντρωτή (8) από τη βάση του κάτω σωλήνα φυσητήρα (5).

## Τοποθέτηση και αφαίρεση της τσουγκράνας (εικ. Ε) (GW3050 Μόνο & GW2838)

- ◆ Τοποθετήστε την τσουγκράνα (18) επάνω από τη θέση τοποθέτησης (19) στη βάση του κάτω σωλήνα φυσητήρα (5).
- ◆ Σπρώξτε προς τα κάτω και σύρετε την τσουγκράνα (18) σταθερά στη θέση τοποθέτησης (19) μέχρι να ασφαλίσει στη θέση της.
- ◆ Για να την αφαιρέσετε, ανασηκώστε την απελευθέρωση της τσουγκράνας (20) και σύρετε την τσουγκράνα (18) από τη θέση τοποθέτησης (19).

## Χρήση

### Ενεργοποίηση και απενεργοποίηση (εικ. F)

**Προειδοποίηση!** Συγκρατήστε σταθερά τη συσκευή κατά την ενεργοποίησή της.

- ◆ Για να ενεργοποιήσετε τη συσκευή, περιστρέψτε το χειριστήριο ελέγχου μεταβλητής ταχύτητας (1) δεξιόστροφα στην απαιτούμενη ρύθμιση.
- ◆ Για να απενεργοποιήσετε τη συσκευή, περιστρέψτε το χειριστήριο ελέγχου μεταβλητής ταχύτητας (1) αριστερόστροφα στη ρύθμιση απενεργοποίησης.

### Συγκρατητήρας καλωδίου (εικ. G)

Στο πίσω μέρος της κινητήριας κεφαλής, υπάρχει ενσωματωμένος ένας συγκρατητήρας καλωδίου (2).

- ◆ Περάστε σε θηλιά το καλώδιο (21) από το συγκρατητήρα καλωδίου (2).

### Χρήση της συσκευής σας

**Προειδοποίηση!** Κατά τη χρήση της συσκευής σας ως φυσητήρα ή ως αναροφητήρα, να φοράτε πάντα προστατευτικά γυαλιά. Όταν τη χρησιμοποιείτε σε περιβάλλον με σκόνη, να φοράτε επίσης μάσκα με φίλτρο.

**Προειδοποίηση!** Πριν από την εκτέλεση εργασιών ρύθμισης, σέρβις ή συντήρησης, απενεργοποιείτε τη συσκευή σας, αφήνετε τον ανεμιστήρα να σταματήσει εντελώς και αποσυνδέετε το φις από την πρίζα.

### Λειτουργία φυσητήρα (εικ. Η και Ι)

- ◆ Συνδέστε το κάλυμμα ανεμιστήρα (22) στην κινητήρια κεφαλή (11) τοποθετώντας το συγκρότημα όπως υποδεικνύεται με το βέλος και στη συνέχεια περιστρέψτε γύρω από αυτό το σημείο και πατήστε το κουμπί απελευθέρωσης της αναρρόφησης (9) μέχρι η ασφάλεια (23) να συνδεθεί πλήρως. (εικ. Η)
- ◆ Ευθυγραμμίστε το συναρμολογημένο σωλήνα φυσητήρα με την κινητήρια κεφαλή (11).
- ◆ Πιέστε το συναρμολογημένο σωλήνα φυσητήρα στην έξοδο αναρρόφησης (25) μέχρι η ασφάλεια να συνδεθεί σταθερά με το σωλήνα φυσητήρα.

**Προειδοποίηση!** Ποτέ μη λειτουργείτε σε λειτουργία φυσητήρα χωρίς το σωλήνα φυσητήρα και το κάλυμμα του ανεμιστήρα στερεωμένα στη θέση τους.

- ◆ Κρατήστε το σωλήνα φυσητήρα σε απόσταση 180 mm περίπου από την επιφάνεια του εδάφους, ενεργοποιήστε τη συσκευή και εκτελώντας μια κίνηση "σάρωσης" από τη μια πλευρά στην άλλη, προχωρήστε αργά κρατώντας τα συσσωρευμένα άχρηστα υλικά/φύλλα μπροστά σας (εικ. Ι).

- ◆ Αφού σχηματίσετε με το φυσητήρα ένα σωρό άχρηστων υλικών/φύλλων, μπορείτε να ρυθμίσετε τη συσκευή σε λειτουργία αναρρόφησης για να περισυλλέξετε τα άχρηστα υλικά.

### Αφαίρεση του σωλήνα φυσητήρα και του καλύμματος ανεμιστήρα

- ◆ Για να αποσυνδέσετε το σωλήνα φυσητήρα, πατήστε το κουμπί απελευθέρωσης σακούλας (10) και τραβήξτε το σωλήνα, προσέχοντας να μην σας πέσει ο σωλήνας στο έδαφος.
- ◆ Για να αποσυνδέσετε το κάλυμμα ανεμιστήρα (22) πατήστε το κουμπί απελευθέρωσης αναρρόφησης (9) και τραβήξτε το κάλυμμα ανεμιστήρα (22) προσέχοντας να μην σας πέσει το κάλυμμα ανεμιστήρα στο έδαφος.

### Λειτουργία αναρρόφησης (εικ. Η, J & Κ)

**Σημείωση:** Για την αναρρόφηση/τεμαχισμό, θα πρέπει να τοποθετηθεί στη συσκευή η σακούλα περισυλλογής (3).

- ◆ Αφαιρέστε το κάλυμμα ανεμιστήρα (22) πατώντας το κουμπί απελευθέρωσης αναρρόφησης (9) και τραβώντας το κάλυμμα ανεμιστήρα (22) από τη θέση του, ενώ προσέχετε να μην σας πέσει στο έδαφος το κάλυμμα ανεμιστήρα.
- ◆ Συνδέστε τη σακούλα περισυλλογής (3) στο στόμιο αναρρόφησης (25) πιέζοντας τη σταθερά μέχρι να ασφαλίσει στη θέση της.
- ◆ Στερεώστε το συναρμολογημένο σωλήνα αναρρόφησης στην κινητήρια κεφαλή (11) τοποθετώντας το συγκρότημα όπως υποδεικνύεται από το βέλος, στη συνέχεια περιστρέψτε γύρω από αυτό το σημείο και πατήστε το κουμπί απελευθέρωσης αναρρόφησης (9) μέχρι η ασφάλεια να συνδεθεί πλήρως.
- ◆ Τοποθετήστε τον ιμάντα της σακούλας περισυλλογής πάνω από τον ώμο σας (εικ. Κ), αυτό θα συγκρατήσει το πρόσθετο βάρος καθώς γεμίζει η σακούλα περισυλλογής. Εναλλακτικά, μπορείτε να ασφαλίσετε τη σακούλα περισυλλογής στο βραχίονα στήριξης (28 - εικ. Α) στον επάνω σωλήνα αναρρόφησης (4) και να τοποθετήσετε τον ιμάντα στην κινητήρια κεφαλή (11), στο άγκιστρο (29).
- ◆ Τοποθετήστε το σωλήνα αναρρόφησης ελαφρώς επάνω από τα άχρηστα υλικά/φύλλα. Ενεργοποιήστε τη συσκευή και εκτελέστε μια κίνηση "σάρωσης". Τα άχρηστα υλικά/φύλλα θα αναροφηθούν από το σωλήνα, θα τεμαχιστούν και θα οδηγηθούν στη σακούλα περισυλλογής (εικ. Κ).
- ◆ Καθώς η σακούλα περισυλλογής γεμίζει, η ισχύς αναρρόφησης μειώνεται. Απενεργοποιήστε τη συσκευή και αποσυνδέετε την από την πρίζα.
- ◆ Ανοίξτε το φερμουάρ της σακούλας και αδειάστε την πριν συνεχίσετε τη λειτουργία.

**Προειδοποίηση!** Ποτέ μην αφαιρείτε τη σακούλα περισυλλογής πριν απενεργοποιήσετε τη συσκευή και την αποσυνδέσετε από την πρίζα.

**Σημείωση:** Εάν η αναρρόφηση μειωθεί και η σακούλα δεν είναι γεμάτη, πιθανόν να έχει φράξει ο σωλήνας αναρρόφησης με άχρηστα υλικά. Απενεργοποιήστε και αποσυνδέστε τον αναρροφητήρα από την πρίζα και καθαρίστε το σωλήνα πριν συνεχίσετε.

## Αντιμέτωπιση προβλημάτων

Πρόβλημα	Πιθανή λύση
Αποτυχία λειτουργίας	Ελέγξτε τη σύνδεση με την ηλεκτρική τροφοδοσία.
	Ελέγξτε την ασφάλεια στο φως. Εάν είναι καμένη, αντικαταστήστε την (μόνο για το Η.Β.).
	Ελέγξτε ότι το συγκρότημα σωλήνων φυστήρα/αναρρόφησης είναι τοποθετημένο σωστά στην κινητήρια κεφαλή
	Εάν η ασφάλεια εξακολουθεί να καίγεται, αποσυνδέστε αμέσως τη συσκευή από την ηλεκτρική τροφοδοσία και απευθυνθείτε στον τοπικό εξουσιοδοτημένο αντιπρόσωπο σέρβις της Black & Decker.
Πολύ χαμηλή απόδοση αναρρόφησης/ διαπεραστικός συριγμός	Απενεργοποιήστε τη συσκευή και αποσυνδέστε την από την ηλεκτρική τροφοδοσία. Τα άχρηστα υλικά θα πρέπει να πέφτουν μακριά από το σωλήνα.
	Αφαιρέστε και αδειάστε τη σακούλα περισυλλογής.
	Ελέγξτε ότι και το στόμιο εισαγωγής και εξαγωγής του σωλήνα αναρρόφησης είναι ελεύθερα.
	Καθαρίστε τυχόν άχρηστα υλικά από την περιοχή του ανεμιστήρα.
	Εάν η απόδοση της αναρρόφησης εξακολουθεί να είναι πολύ χαμηλή, αποσυνδέστε αμέσως τη συσκευή από την ηλεκτρική τροφοδοσία και απευθυνθείτε στον τοπικό εξουσιοδοτημένο αντιπρόσωπο σέρβις της Black & Decker.
Πολύ χαμηλή απόδοση τεμαχισμού	Απενεργοποιήστε τη συσκευή, αποσυνδέστε την από την ηλεκτρική τροφοδοσία και αφαιρέστε τη σακούλα περισυλλογής.
	Αφαιρέστε το σωλήνα αναρρόφησης και ελέγξτε τον ανεμιστήρα.
	Καθαρίστε τυχόν άχρηστα υλικά από τα περύγια του ανεμιστήρα.
	Εάν ο ανεμιστήρας παρουσιάζει ρωγμές ή ζημιές, μην τον χρησιμοποιήσετε - απευθυνθείτε στον τοπικό εξουσιοδοτημένο αντιπρόσωπο επισκευών της Black & Decker.

## Συντήρηση

Αυτή η συσκευή της Black & Decker έχει σχεδιαστεί έτσι ώστε να λειτουργεί για μεγάλο χρονικό διάστημα με την ελάχιστη δυνατή συντήρηση. Η αδιάλειπτη και ικανοποιητική λειτουργία της συσκευής εξαρτάται από τη σωστή φροντίδα και τον τακτικό καθαρισμό της.

- ◆ Διατηρείτε τη συσκευή καθαρή και στεγνή.
- ◆ Αφαιρέστε τυχόν φύλλα που έχουν κολλήσει στο εσωτερικό του σωλήνα αναρρόφησης.
- ◆ Καθαρίζετε σε τακτική βάση τις εγκοπές εξερισμού με ένα καθαρό, στεγνό πινέλο βαφής.
- ◆ Καθαρίζετε τακτικά τη σακούλα περισυλλογής και εξασφαλίζετε ότι είναι καθαρή και άδεια μετά από κάθε χρήση.
- ◆ Για τον καθαρισμό της συσκευής, χρησιμοποιείτε αποκλειστικά ήπιο σαπούνι και υγρό πανί. Μην επιτρέψετε ποτέ να εισέλθει υγρό στο εσωτερικό του εργαλείου και μη βυθίσετε ποτέ οποιοδήποτε εξάρτημα του εργαλείου σε υγρό. Μην χρησιμοποιείτε λειαντικά καθαριστικά ή υγρά καθαρισμού που περιέχουν διαλυτικά.
- ◆ Το προϊόν σας χρησιμοποιεί αυτολιπανόμενα έδρανα, επομένως δε χρειάζεται λίπανση.

## Αντικατάσταση του ρευματολήπτη (Η.Β. & Ιρλανδία μόνο)

Αν χρειαστεί να εγκαταστήσετε έναν καινούριο ρευματολήπτη (φως):

- ◆ Απορρίψτε με ασφαλή τρόπο το παλιό φως.
- ◆ Συνδέστε τον καφέ αγωγό στον ηλεκτροφόρο ακροδέκτη του νέου ρευματολήπτη.
- ◆ Συνδέστε τον μπλε αγωγό στον ουδέτερο ακροδέκτη.

**Προειδοποίηση!** Δεν χρειάζεται καμία σύνδεση στον ακροδέκτη γείωσης. Ακολουθήστε τις οδηγίες τοποθέτησης που παρέχονται με τους καλής ποιότητας ρευματολήπτες (φως). Προτεινόμενη ασφάλεια τήξης: 13 Α.

## Προστασία του περιβάλλοντος



Ξεχωριστή περισυλλογή. Αυτό το προϊόν δεν πρέπει να απορρίπτεται μαζί με τα κοινά οικιακά απορρίμματα.

Εάν κάποια μέρα διαπιστώσετε ότι το προϊόν σας Black & Decker χρειάζεται αντικατάσταση ή ότι δεν το χρειάζεστε άλλο, μην το απορρίψετε μαζί με τα κοινά οικιακά απορρίμματα, αλλά διαθέστε αυτό το προϊόν για ξεχωριστή περισυλλογή.





Η ξεχωριστή περισυλλογή των μεταχειρισμένων προϊόντων και των υλικών συσκευασίας επιτρέπει την ανακύκλωση και επαναχρησιμοποίηση των υλικών. Με την επαναχρησιμοποίηση των ανακυκλωμένων υλικών αποτρέπεται η μόλυνση του περιβάλλοντος και μειώνεται η ζήτηση πρώτων υλών.

Οι κανονισμοί που ισχύουν στην περιοχή σας ενδέχεται να προβλέπουν την ξεχωριστή περισυλλογή των ηλεκτρικών συσκευών που προέρχονται από νοικοκυριά σε δημοτικές εγκαταστάσεις ή από τον έμπορο όταν αγοράσετε ένα καινούργιο προϊόν.

Η Black & Decker δίνει τη δυνατότητα ανακύκλωσης των προϊόντων της που έχουν συμπληρώσει τη διάρκεια ζωής τους. Για να χρησιμοποιήσετε αυτήν την υπηρεσία, επιστρέψτε το προϊόν σας σε οποιοδήποτε εξουσιοδοτημένο κέντρο επισκευών, όπου θα το παραλάβουν εκ μέρους μας.

Ενημερωθείτε για το πλησιέστερο εξουσιοδοτημένο κέντρο επισκευών της περιοχής σας, επικοινωνώντας με τα γραφεία της Black & Decker στη διεύθυνση που αναγράφεται στο εγχειρίδιο. Επίσης, μια λίστα με τα εξουσιοδοτημένα κέντρα επισκευών της Black & Decker και πλήρεις λεπτομέρειες για τις υπηρεσίες που παρέχονται μετά την πώληση, καθώς και στοιχεία επικοινωνίας υπάρχουν στο Διαδίκτυο, στη διεύθυνση: [www.2helpU.com](http://www.2helpU.com)

## Τεχνικά χαρακτηριστικά

		GW2810 GW2838 (Τύπος 1)	GW3030 (Τύπος 1)	GW3050 (Τύπος 1)
Τάση εισόδου	$V_{AC}$	230	230	230
Ισχύς εισόδου	W	2800	3000	3000
Χωρητικότητα	l	50	50	50
Βάρος (φουσητήρας)	mm	3.45	3.7	3.7
Βάρος (αναρροφητήρας)	mm	4.85	4.85	4.85

Συνολικές τιμές δόνησης (διανυσματικό άθροισμα τριών αξόνων) κατά EN 60745:

Κραδασμοί ( $a_h$ ) 9.8  $m/s^2$ , αβεβαιότητα (K) 1.5  $m/s^2$

## Δήλωση συμμόρφωσης ΕΚ

ΟΔΗΓΙΑ ΠΕΡΙ ΜΗΧΑΝΗΜΑΤΩΝ  
ΟΔΗΓΙΑ ΓΙΑ ΘΟΥΡΥΒΟΥΣ ΣΕ ΕΞΩΤΕΡΙΚΟΥΣ ΧΩΡΟΥΣ



GW2810 GW2838, GW3030, GW3050

Η Black & Decker δηλώνει ότι τα προϊόντα αυτά που περιγράφονται στα "τεχνικά χαρακτηριστικά" συμμορφώνονται με τα ακόλουθα:  
2006/42/EK, EN 60335

2000/14/EK, Φουσητήρας/Αναρροφητήρας, Παράρτημα V  
KEMA Quality B.V., Utrechtseweg 310, 6802 ED Arnhem,  
The Netherlands

Αρ. ID Διακοινωνμένου Οργανισμού: 0344

Στάθμη ηχητικής ισχύος σύμφωνα με 2000/14/EK  
(Άρθρο 13, Παράρτημα III):

$L_{WA}$  (μετρημένη ηχητική ισχύς) 104 dB(A)

Αβεβαιότητα = 3 dB(A)

$L_{WA}$  (εγγυημένη ηχητική ισχύς) 107 dB(A)

Αβεβαιότητα = 3 dB(A)

Αυτά τα προϊόντα συμμορφώνονται επίσης με την Οδηγία  
2004/108/EK και 2011/65/EE.

Για περισσότερες πληροφορίες, παρακαλείσθε να επικοινωνήσετε με την Black & Decker στην παρακάτω διεύθυνση ή να ανατρέξετε στο πίσω μέρος του εγχειριδίου. Ο κάτωθι υπογεγραμμένος είναι υπεύθυνος για την κατάρτιση του τεχνικού φακέλου και δηλώνει τα παραπάνω εκ μέρους της Black & Decker.

Kevin Hewitt

Αντιπρόεδρος παγκόσμιας μηχανικής  
Black & Decker Europe, 210 Bath Road, Slough,  
Berkshire, SL1 3YD  
Ηνωμένο Βασίλειο  
10/04/2013

## Εγγύηση

Η Black & Decker είναι σίγουρη για την ποιότητα των προϊόντων της και παρέχει εξαιρετική εγγύηση. Η παρούσα γραπτή εγγύηση αποτελεί πρόσθετο δικαίωμά σας και δεν ζημιώνει τα νόμιμα δικαιώματά σας. Η εγγύηση ισχύει εντός της επικράτειας των Κρατών Μελών της Ευρωπαϊκής Ένωσης και της Ευρωπαϊκής Ζώνης Ελευθέρων Συναλλαγών.

Σε περίπτωση που κάποιο προϊόν της Black & Decker παρουσιάσει βλάβη εξαιτίας ελαττωματικών υλικών, ποιότητας εργασίας ή έλλειψης συμφωνίας με τις προδιαγραφές εντός 24 μηνών από την ημερομηνία αγοράς, η Black & Decker εγγυάται την αντικατάσταση των ελαττωματικών τμημάτων, την επισκευή προϊόντων που έχουν υποστεί εύλογη φθορά λόγω χρήσης ή την αντικατάσταση των προϊόντων προκειμένου να εξασφαλίσει την ελάχιστη ενόχληση στους πελάτες της, εκτός εάν:

- ◆ Το προϊόν έχει χρησιμοποιηθεί σε εργασιακό, επαγγελματικό περιβάλλον ή έχει εννοικιαστεί.
- ◆ Έχει γίνει εσφαλμένη χρήση του προϊόντος ή έχει παραμεληθεί.
- ◆ Το προϊόν έχει υποστεί βλάβη από άλλα αντικείμενα, από ουσίες ή λόγω ατυχήματος.
- ◆ Έχει γίνει προσπάθεια επισκευής από μη εξουσιοδοτημένα κέντρα επισκευών ή από τεχνικούς που δεν ανήκουν στο προσωπικό της Black & Decker.

Για να ισχύσει η εγγύηση, πρέπει να υποβάλετε απόδειξη αγοράς στον πωλητή ή το εξουσιοδοτημένο κέντρο επισκευών. Ενημερωθείτε για το πλησιέστερο εξουσιοδοτημένο κέντρο επισκευών της περιοχής σας, επικοινωνώντας με τα γραφεία της Black & Decker στη διεύθυνση που αναγράφεται στο εγχειρίδιο. Επίσης, μια λίστα με τα εξουσιοδοτημένα κέντρα επισκευών της Black & Decker και πλήρεις λεπτομέρειες για τις υπηρεσίες που παρέχονται μετά την πώληση, καθώς και στοιχεία επικοινωνίας, υπάρχουν στο Διαδίκτυο, στη διεύθυνση: [www.2helpU.com](http://www.2helpU.com)

Παρακαλούμε επισκεφθείτε την ιστοσελίδα μας [www.blackanddecker.gr](http://www.blackanddecker.gr) για να καταχωρήσετε το νέο σας προϊόν Black & Decker και για να ενημερώνεστε για τα νέα προϊόντα και τις ειδικές προσφορές. Περισσότερες πληροφορίες σχετικά με τη μάρκα Black & Decker και τη σειρά των προϊόντων μας θα βρείτε στη διεύθυνση [www.blackanddecker.gr](http://www.blackanddecker.gr)



<b>België/Belgique</b>	Black & Decker (Belgium) N.V. Nieuwlandlaan 7 I.Z. Aarschot B156 3200 Aarschot	Tel. Fax Tel. Fax	+32 70 220 065 +32 70 225 585 +32 70 220 064 +32 70 222 441
<b>Danmark</b>	Black & Decker Sluseholmen 2-4, 2450 København SV Internet: <a href="http://www.blackanddecker.dk">www.blackanddecker.dk</a>	Tel. Fax	70 20 15 10 70 22 49 10
<b>Deutschland</b>	Black & Decker GmbH Black & Decker Str. 40, D - 65510 Idstein	Tel. Fax	06126 21-0 06126 21-2980
<b>Ελλάδα</b>	Black & Decker (Ελλάς) Α.Ε. Στράβωνος 7 & Λεωφ. Βουλιαγμένης 159 166 74 Γλυφάδα - Αθήνα	Τηλ. Φαξ <a href="http://www.blackanddecker.com">www.blackanddecker.com</a>	210 8981-616 210 8983-570
<b>España</b>	Black & Decker Ibérica, S.C.A. Parc de Negocis "Mas Blau" Edificio Muntadas, c/Bergadá, 1, Of. A6 08820 El Prat de Llobregat (Barcelona)	Tel. Fax	934 797 400 934 797 419
<b>France</b>	Black & Decker (France) S.A.S. 5 allée des Hêtres B.P. 30084 69579 Limonest Cédex	Tel. Fax	04 72 20 39 20 04 72 20 39 00
<b>Helvetia</b>	ROFO AG Gewerbezone Seeblick 3213 Kleinbörsingen	Tel. Fax	026-6749391 026-6749394
<b>Italia</b>	Black & Decker Italia Srl Viale Elvezia 2 20052 Monza (MI)	Tel. Fax Numero verde	039-23871 039-2387592 800-213935
<b>Nederland</b>	Black & Decker Benelux Joulehof 12, 4622 RG Bergen op Zoom	Tel. Fax	+31 164 283 065 +31 164 283 200
<b>Norge</b>	Black&Decker Postboks 4613, Nydalen 0405 Oslo	Tlf. Fax <a href="http://www.blackanddecker.no">www.blackanddecker.no</a>	45 25 13 00 45 25 08 00
<b>Österreich</b>	Black & Decker Vertriebsges.m.b.H Oberlaaerstraße 248, A-1230 Wien	Tel. Fax	01 66116-0 01 66116-614
<b>Portugal</b>	Black & Decker Centro de Escritórios de Sintra Avenida Almirante Gago Coutinho, 132/134, Edifício 142710-418 Sintra 2710-418 Lisboa	Tel. Fax	214667500 214667580
<b>Suomi</b>	Black & Decker Oy Tekniikantie 12, 02150 Espoo Almirante Gago Coutinho, 132/134, Edifício 142710-418 Sintra 2710-418 Lisboa	Puh. Faksi	010 400 430 0800 411 340
<b>Sverige</b>	Black & Decker AB Box 94, 431 22 Mölndal	Tel. Fax	031-68 60 60 031-68 60 80
<b>United Kingdom</b>	Black & Decker 210 Bath Road Slough, Berkshire SL1 3YD	Tel. Fax	01753 511234 01753 551155
<b>Middle East &amp; Africa</b>	Black & Decker P.O.Box - 17164 Jebel Ali (South Zone), Dubai, UAE	Tel. Fax	+971 4 8863030 +971 4 8863333