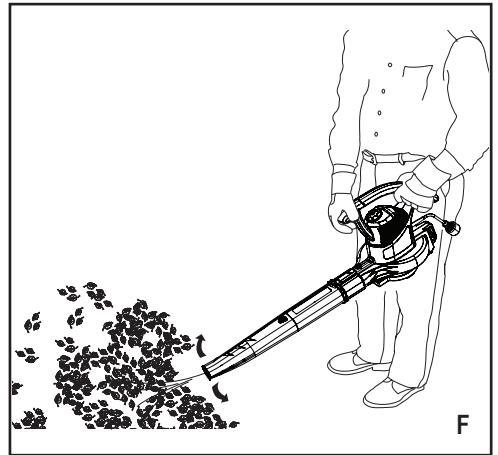
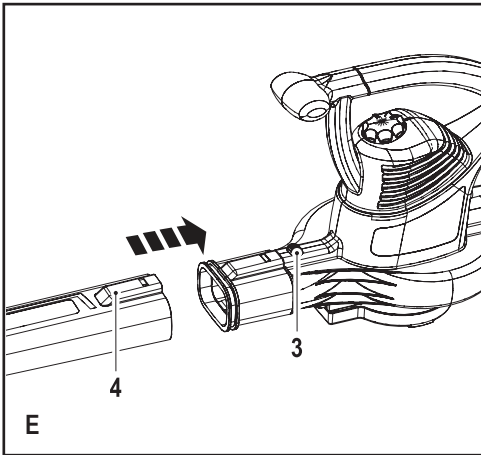
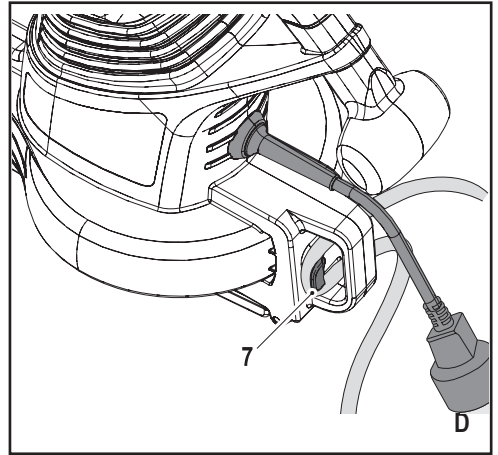
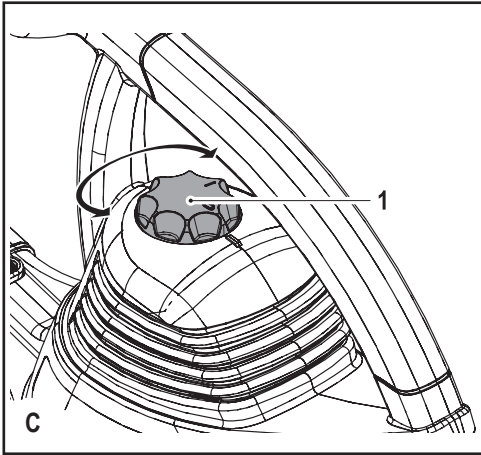
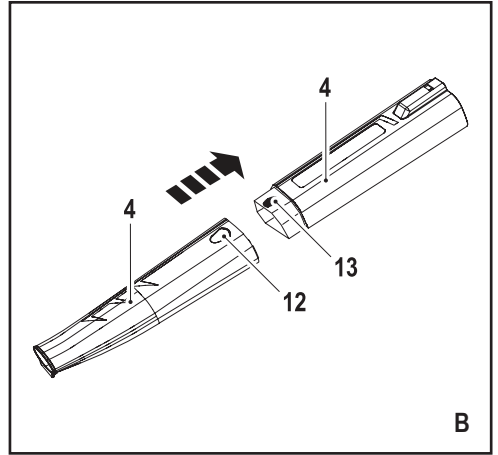
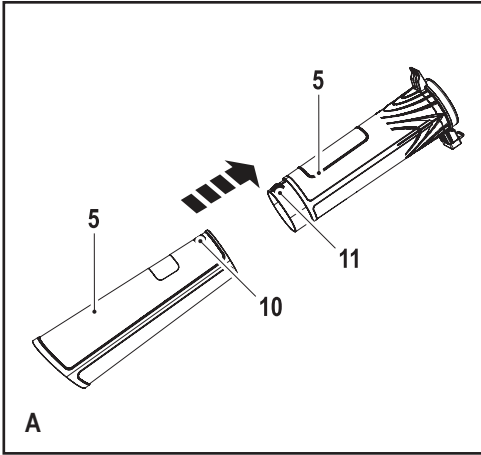
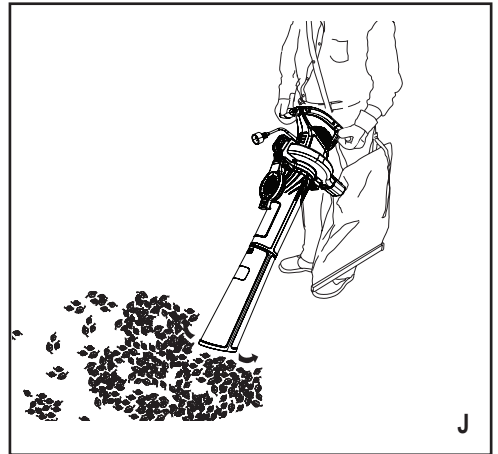
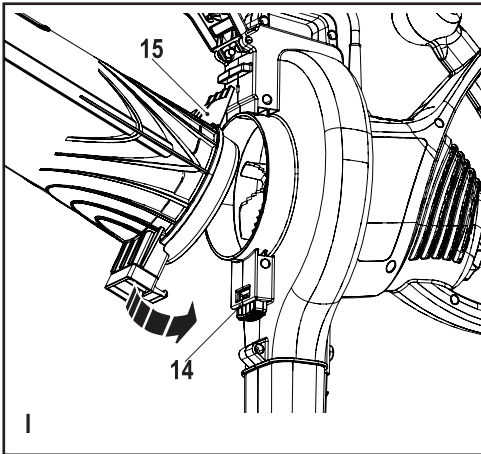
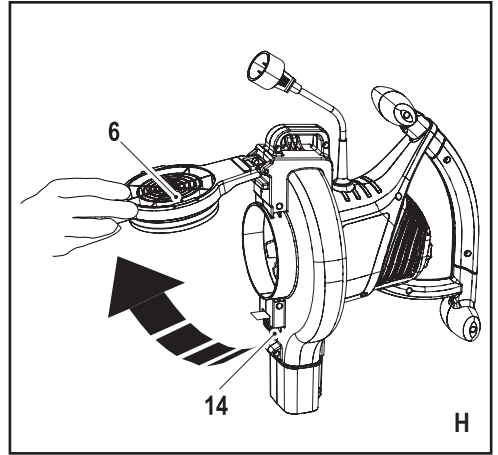
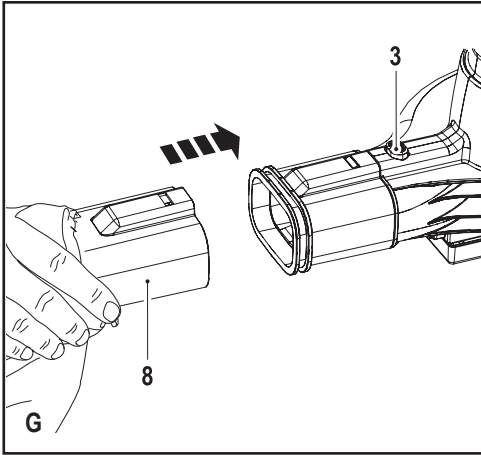


www.blackanddecker.com.au
www.blackanddecker.co.nz

GW2500





Intended use

Your Black & Decker blower vac has been designed for leaf clearing. This appliance is intended for consumer and outdoor use only.

General appliance safety warnings



Warning! When using mains-powered/cordless appliances, basic safety precautions, including the following, should always be followed to reduce the risk of fire, electric shock, personal injury and material damage.

- ♦ Read all of this manual carefully before using the appliance, be familiar with the controls and the proper use of the appliance.
- ♦ The intended use is described in this manual. The use of any accessory or attachment or the performance of any operation with this appliance other than those recommended in this instruction manual may present a risk of personal injury.

The term "appliance" in all of the warnings listed below refers to your mains operated (corded) appliance or battery operated (cordless) appliance.

Save all warnings and instructions for future reference.

Using your appliance

- ♦ **Always take care when using the appliance.**
- ♦ Keep work area clean and well lit. Cluttered or dark areas invite accidents.
- ♦ Only use the appliance in daylight or good artificial light.

- ♦ Do not operate your appliance in explosive atmospheres, such as in the presence of flammable liquids, gases or dust.
- ♦ Never allow children or people unfamiliar with the instructions to use the appliance, local regulations may restrict the age of the operator.
- ♦ Do not allow children or animals to come near the work area or touch the appliance supply cord.
- ♦ Keep children, bystanders and animals away while operating an appliance. Distractions can cause you to lose control.
- ♦ The appliance is not to be used as a toy.
- ♦ Do not immerse the appliance in water.
- ♦ Do not open body casing. There are no userserviceable parts inside.

Personal safety

- ♦ Stay alert, watch what you are doing and use common sense when operating an appliance. Do not use an appliance while you are tired or under the influence of drugs, alcohol or medication. A moment of inattention while operating an appliance may result in serious personal injury.
- ♦ Where required, use personal protective equipment. Protective equipment such as eye protection, dust mask, non-skid safety shoes, hard hat, or hearing protection used for appropriate conditions will reduce personal injuries.

- ◆ Prevent unintentional starting. Make sure that the switch is in the off-position before connecting to a power source and/or battery pack, picking up or carrying the appliance. Carrying appliances with your finger on the switch or energising appliances that have the switch on invites accidents.
- ◆ Do not overreach. Keep proper footing and balance at all times. This enables better control of the appliance in unexpected situations.
- ◆ Dress properly. Do not wear loose clothing or jewellery. Keep your hair, clothing and gloves away from moving parts. Loose clothes, jewellery or long hair can be caught in moving parts.
- ◆ Where applicable, keep cutting tools sharp and clean. Properly maintained cutting tools with sharp cutting edges are less likely to bind and are easier to control.
- ◆ Do not use the appliance if any part is damaged or defective.
- ◆ Have any damaged or defective parts repaired or replaced by an authorised repair agent.
- ◆ Never attempt to remove or replace any parts other than those specified in this manual.

Electrical safety

Appliance use and care

- ◆ Before use, check the appliance for damaged or defective parts. Check for breakage of parts, damage to switches and any other conditions that may affect its operation.
- ◆ Do not use the appliance if the switch does not turn it on and off. Any appliance that cannot be controlled with the switch is dangerous and must be repaired.
- ◆ Disconnect the plug from the power source and/or the battery pack from the appliance before making any adjustments, changing accessories, or storing appliances. Such preventive safety measures reduce the risk of starting the appliance accidentally.
- ◆ Appliance plugs must match the outlet. Never modify the plug in any way. Do not use any adapter plugs with earthed (grounded) appliance. Unmodified plugs and matching outlets will reduce risk of electric shock.
- ◆ Do not expose appliance to rain or wet conditions. Water entering a appliance will increase the risk of electric shock.
- ◆ Do not abuse the cord. Never use the cord for carrying, pulling or unplugging the appliance. Keep cord away from heat, oil, sharp edges or moving parts. Damaged or entangled cords increase the risk of electric shock.
- ◆ When operating an appliance outdoors, use an extension cord suitable for outdoor use. Use of a cord suitable for outdoor use reduces the risk of electric shock.

- ◆ If operating an appliance in a damp location is unavoidable, use a Residual Current Device (RCD) protected supply. Use of an RCD reduces the risk of electric shock.

After Use

- ◆ When not in use, the appliance should be stored in a dry, well ventilated place out of the reach of children.
- ◆ Children should not have access to stored appliances.
- ◆ When the appliance is stored or transported in a vehicle it should be placed in the boot or restrained to prevent movement following sudden changes in speed or direction.

Service

- ◆ Have your appliance serviced by a qualified repair person using only identical replacement parts. This will ensure that the safety of the appliance is maintained.

Additional Safety instructions for blow vacs

The intended use is described in this manual. The use of any accessory or attachment or performance of any operation with this appliance other than those recommended in this instruction manual can present a risk of personal injury and/or damage to property.

- ◆ To protect your feet and legs while operating the appliance, always wear heavy duty footwear and long trousers.

- ◆ Do not use in vacuum mode without the vacuum tubes and collection bag in place.
- ◆ Always switch off your product, allow the fan to stop and remove the plug from the socket when:
 - ◆ Changing from blower to vacuum.
 - ◆ The supply cable has become damaged or entangled.
 - ◆ You leave your product unattended.
 - ◆ Clearing a blockage.
 - ◆ Checking, adjusting, cleaning or working on your product.
 - ◆ If the appliance starts to vibrate abnormally.
- ◆ Do not place the inlet or outlet of the vacuum near eyes or ears when operating. Never blow debris in the direction of bystanders.
- ◆ Do not use in the rain or leave outdoors while it is raining.
- ◆ Do not cross gravel paths or roads whilst your product is switched on during blow/vac mode. Walk, never run.
- ◆ Do not place your unit down on gravel while it is switched on.
- ◆ Always be sure of your footing, particularly on slopes. Do not overreach and keep your balance at all times.
- ◆ Do not pick up matter that may be contaminated with flammable or combustible liquids such as gasoline, or use in areas where they might be present.

- ◆ Do not place any objects into the openings. Never use if the openings are blocked - keep free of hair, lint, dust and anything that may reduce the airflow.

Warning! Always use your product in the manner outlined in this manual. Your product is designed to be used in an upright mode and if it is used in any other way it may result in injury. Never run your product whilst lying on it's side or upside down.

- ◆ The operator or user is responsible for accidents or hazards occurring to other people or their property.
- ◆ Do not carry the appliance by the cable.
- ◆ Always direct the cable to the rear away from the appliance.

Warning! If a cord becomes damaged during use, disconnect the supply cord from the mains supply immediately. Do not touch the supply cord before disconnecting the supply.

- ◆ Do not use solvents or cleaning fluids to clean your product. Use a blunt scraper to remove grass and dirt.
- ◆ Check the collection bag frequently for wear or deterioration.
- ◆ Replacement fans are available from a Black & Decker service agent. Use on Black & Decker recommended spare parts and accessories.
- ◆ Keep all nuts bolts and screws tight to make sure that the appliance is in a safe working condition.

Safety of others

- ◆ This appliance can be used by children aged from 8 years and above and persons with reduced physical, sensory or mental capabilities or lack of experience and knowledge if they have been given supervision or instruction concerning use of the appliance in a safe way and understand the hazards involved. Children shall not play with the appliance. Cleaning and user maintenance shall not be made by children without supervision.
- ◆ Children should be supervised to ensure that they do not play with the appliance.

Electrical safety



This appliance is double insulated; therefore no earth wire is required. Always check that the power supply corresponds to the voltage on the rating plate.

- ◆ If the supply cord is damaged, it must be replaced by the manufacturer or an authorised Black & Decker Service Centre in order to avoid a hazard.
- ◆ Electric safety can be further improved by using a high sensitivity 30 mA Residual Current Device (RCD).

Using an extension cable

Always use an approved extension cable suitable for the power input of this tool (see technical data). The extension cable must be suitable for outdoor use and marked accordingly. Up to 30 m of 1.5 mm² HO5V V-F extension cable can be used without loss of product performance. Before use, inspect the extension cable for signs of damage, wear and ageing. Replace the extension cable if damaged or defective. When using a cable reel, always unwind the cable completely.

Residual risks.

Additional residual risks may arise when using the tool which may not be included in the enclosed safety warnings. These risks can arise from misuse, prolonged use etc. Even with the application of the relevant safety regulations and the implementation of safety devices, certain residual risks can not be avoided. These include:

- ◆ Injuries caused by touching any rotating/moving parts.
- ◆ Injuries caused when changing any parts, blades or accessories.
- ◆ Injuries caused by prolonged use of a tool. When using any tool for prolonged periods ensure you take regular breaks.
- ◆ Impairment of hearing.
- ◆ Health hazards caused by breathing dust developed when using your tool (example:- working with wood, especially oak, beech and MDF.)

Labels on Appliance

The following pictograms are shown on the tool:



Warning! Read the manual prior to operation.



Wear safety glasses or goggles when operating this appliance.



Wear suitable ear protection when operating this appliance.



Do not expose the tool to rain or high humidity or leave outdoors while it is raining.



Switch off: remove plug from mains before cleaning or maintenance.



Beware of flying objects.



Keep bystanders away.



Directive 2000/14/EC guaranteed sound power.

Features

1. On/off switch
2. Handle
3. Blow tube release button
4. Blow tube (2 pieces)
5. Vacuum tube (2 pieces)
6. Fan cover
7. Cable restraint
8. Collection bag
9. Strap

Assembly



Warning! Before assembly, make sure that the appliance is switched off and unplugged.



Warning! Always wear protective gloves and safety glasses when working with your blow vac.

Vacuum tube assembly (fig. A)

The vacuum tubes must be assembled together before use.

- ◆ To ease assembly, apply a soapy water solution to the joint area.
- ◆ Align the notches (10) and the tabs (11) on the lower and upper vacuum tubes.
- ◆ Push the lower vacuum tube (5) firmly onto the upper vacuum tube (5), until the tabs click into place.
- ◆ Insert the screw provided into the rear of the vacuum tube.

Note: Do not separate the tubes once assembled.

Blow tube assembly (fig. B)

- ◆ Align the notch (12) and the tab (13) on the lower and upper blow tubes.
- ◆ Push the lower blow tube (4) firmly onto the upper blow tube (4) until the tab clicks into place.

Warning! Do not separate the tubes once assembled.

Use

Switching on and off (fig. C)

Warning! Grip the product firmly when switching on.

- ◆ To switch the unit on, turn the on/off switch (1) clockwise to the on position I.
- ◆ To switch the unit off, turn the on/off switch (1) anti-clockwise to the off position 0.

Cable restraint (fig. D)

A cable restraint (7) is incorporated into the rear of the powerhead.

- ◆ Loop the cable through the cable restraint (7).

Using your product

Warning! When using as a blower or vacuum, always wear safety glasses. If using in dusty conditions, wear a filter mask as well.

Warning! Switch off your unit, allow the fan to stop and remove the plug from the socket before carrying out any adjustment, servicing or maintenance.

Blow mode (fig. E & F)

Warning! Never operate in blow mode without the blow tube and fan cover firmly in place.

- ◆ Attach the blow tube (4) to the fan outlet on the power head (fig. E), push the blow tube firmly towards the unit until the blow tube release button engages. (fig. 3).
- ◆ Hold the blow tube approximately 180 mm above the ground, switch on the unit and using a sweeping motion from side to side, advance slowly keeping the accumulated debris/leaves in front of you (fig. F).
- ◆ Once you have blown the debris/leaves into a pile, you can convert to vacuum mode to collect the debris.

Removing the blow tube

- ◆ To disconnect the blow tube (4) press the blow tube release button (3) and pull the tube off, making sure that the tube does not fall to the ground.

Vacuum mode (fig. G, H, I & J)

Note: For vacuuming, the collection bag (8) must be fitted.

- ◆ Remove blow tube (4) if attached.
- ◆ Push the collection bag (8) firmly onto the fan outlet on the power head until the blow tube release button (3) engages (fig G).
- ◆ Unlatch the fan cover (6) from the bottom of the power head by pressing the vacuum tube release button (14) located near the front of the power head and pulling the fan cover (6) open like a lid (fig. H).

Note: This interlock will disconnect the electric circuit automatically and the unit will not operate.

- ◆ Attach the vacuum tube (5) to the fan inlet on the power head (fig. I), insert the vacuum tube support tab (15) into the assembly slot (fig. H) on the power head.
- ◆ Push the vacuum tube towards the unit until it clicks into place.

Note: This interlock will connect the electric circuit automatically and the unit will operate.

- ◆ Place the strap from the collection bag over your shoulder (fig. J) this will support the additional weight as the collection bag fills.
- ◆ Position the vacuum tube slightly above the debris/leaves. Switch on the unit and use a sweeping motion; the debris/leaves will be sucked up the tube and thrown into the collection bag (8).

- ◆ As the collection bag fills, the power of the suction will decrease, switch off the unit and unplug from the mains power supply.
- ◆ Remove the collection bag (8) from the power head, unzip the bag to empty the contents.
- ◆ Re-assemble before continuing to operate.

Warning! Never remove the collection bag without first turning off and unplugging the unit.

Note: If the suction decreases and the bag is not full, the vacuum tube is probably clogged with debris. Turn off and unplug the vacuum to clear the tube before continuing.

Removing the vacuum tube

- ◆ To disconnect the vacuum tube (5) press the vacuum tube release button (14) and pull the tube off, making sure that the tube does not fall to the ground.

Troubleshooting

Problem	Possible solution
Failure to operate	Check the connection to the power supply.
	Check the fuse in the plug, if blown, replace (UK only).
	Check that the blow/vacuum tube assembly is correctly fitted to the powerhead
	If the fuse continues to blow - immediately disconnect from the mains power supply and consult your local Black & Decker authorised repair agent.
Poor vacuum/high pitched whine	Switch off - disconnect from the mains power supply, debris should fall clear of the tube.
	Remove and empty the collection bag.
	Check that both the inlet and exit ports on the vacuum tube are clear.
	Remove any debris from the fan area.
	If poor vacuuming continues - immediately disconnect from the mains power supply and consult your local Black & Decker authorised repair agent.

Maintenance

Your Black & Decker appliance has been designed to operate over a long period of time with a minimum of maintenance. Continuous satisfactory operation depends upon proper appliance care and regular cleaning.

- ◆ Keep the appliance clean and dry.
- ◆ Remove any leaves stuck to the inside of the vacuum tube.
- ◆ Regularly clean the ventilation slots with a clean, dry paint brush.

- ◆ Regularly clean the collection bag and ensure that it is clean and empty after each use.
- ◆ To clean the appliance, use only mild soap and a damp cloth. Never let any liquid get inside the tool and never immerse any part of the tool into liquid. Do not use any abrasive or solvent-based cleaner.
- ◆ Self lubricating bearings are used in your product, therefore lubrication is not required.

Mains plug replacement (U.K. & Ireland only)

If a new mains plug needs to be fitted:

- ◆ Safely dispose of the old plug.
- ◆ Connect the brown lead to the live terminal in the new plug.
- ◆ Connect the blue lead to the neutral terminal.

Warning! No connection is to be made to the earth terminal. Follow the fitting instructions supplied with good quality plugs. Recommended fuse: 13 A.

Protecting the environment



Separate collection. This product must not be disposed of with normal household waste.

Should you find one day that your Black & Decker product needs replacement, or if it is of no further use to you, do not dispose of it with household waste. Make this product available for separate collection.



Separate collection of used products and packaging allows materials to be recycled and used again. Re-use of recycled materials helps prevent environmental pollution and reduces the demand for raw materials.

Local regulations may provide for separate collection of electrical products from the household, at municipal waste sites or by the retailer when you purchase a new product.

Black & Decker provides a facility for the collection and recycling of Black & Decker products once they have reached the end of their working life. To take advantage of this service please return your product to any authorised repair agent who will collect them on our behalf.

You can check the location of your nearest authorised repair agent by contacting your local Black & Decker office at the address indicated in this manual. Alternatively, a list of authorised Black & Decker repair agents and full details of our after-sales service and contacts are available on the Internet at: www.2helpU.com

Technical data

		GW2500 (Type 1)
Input voltage	V_{AC}	230
Power input	W	2400
Capacity	l	50
Weight (blower)	Kg	3.2
Weight (vacuum)	Kg	4.0

Vibration total values (triax vector sum) according to EN 60745:

Vibration (a_{v}) 2.7 m/s^2 , uncertainty (K) 1.3 m/s^2

EC declaration of conformity

MACHINERY DIRECTIVE
OUTDOOR NOISE DIRECTIVE

%

GW2500

Black & Decker declares that these products described under
"technical data" are in compliance with:
2006/42/EC, EN 60335

2000/14/EC, Blow Vac, Annex V
DEKRA Quality B.V., Utrechtseweg 310, 6802 ED Arnhem,
The Netherlands
Notified Body ID No.: 0344

Level of acoustic power according to 2000/14/EC
(Article 13, Annex III):

L_{WA} (measured sound power) 104 dB(A)

Uncertainty = 3 dB(A)

L_{WA} (guaranteed sound power) 107 dB(A)

These products also comply with Directive
2014/30/EU and 2011/65/EU.

For more information, please contact Black & Decker at the
following address or refer to the back of the manual.
The undersigned is responsible for compilation of the technical
file and makes this declaration on behalf of Black & Decker.



R.Laverick
Engineering Manager
Black & Decker Europe, 210 Bath Road, Slough,
Berkshire, SL1 3YD
United Kingdom
01/08/2014

Australia & New Zealand

Stanley Black & Decker

www.blackanddecker.com.au

www.blackanddecker.co.nz

Tel. 1800 338 002 (Aust) or Tel. 0800 339 258 (NZ)