

FIG. 1

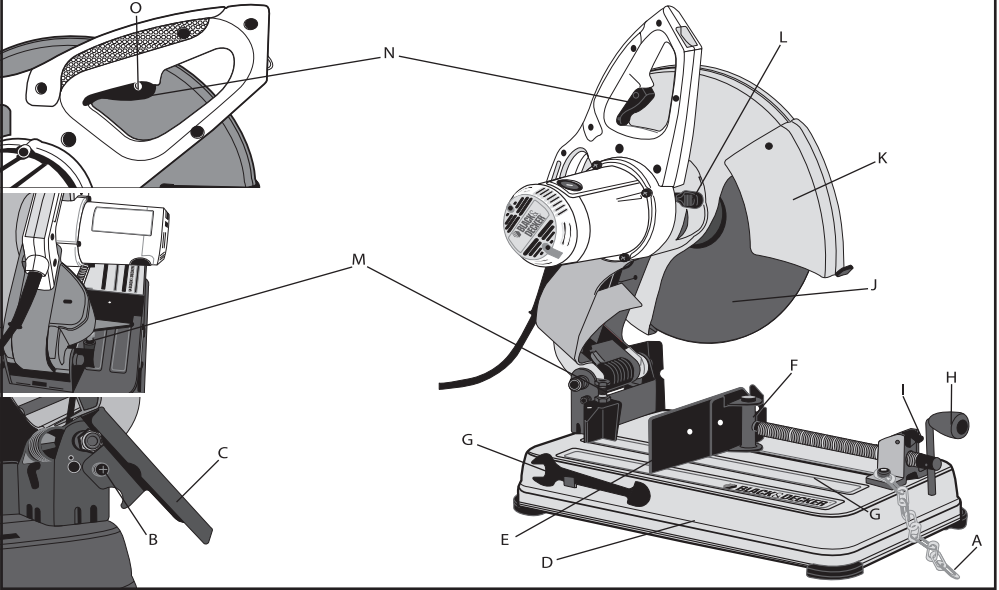


FIG. 2

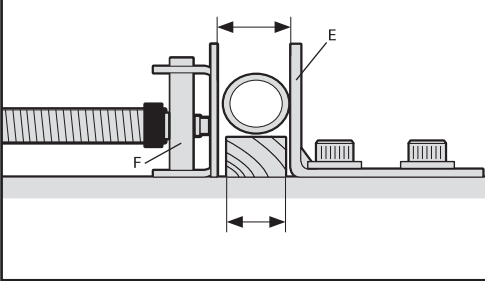


FIG. 3

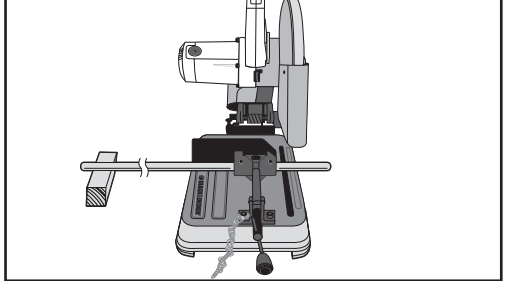


FIG. 4

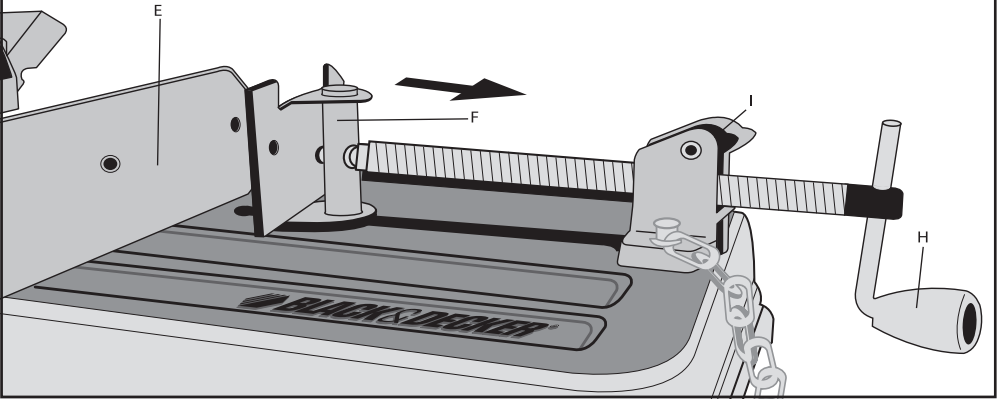


FIG. 5

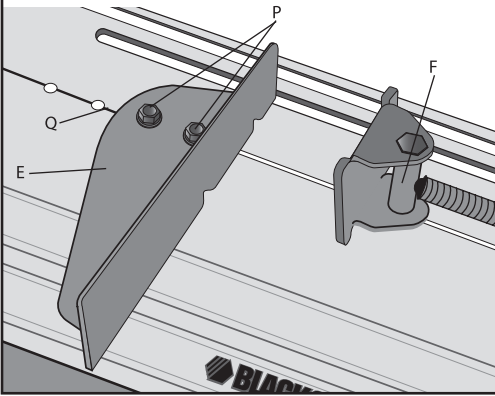


FIG. 6

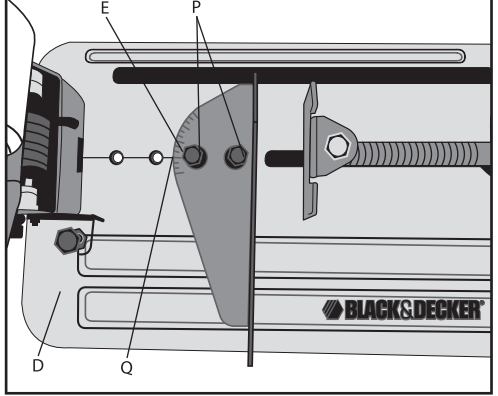


FIG. 7

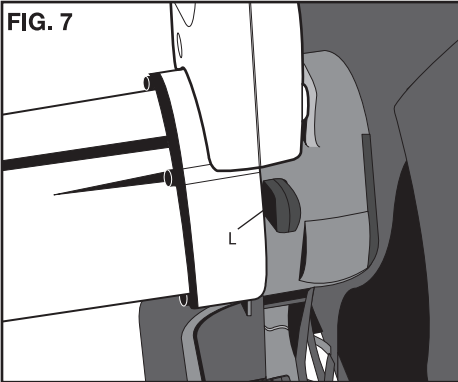


FIG. 8

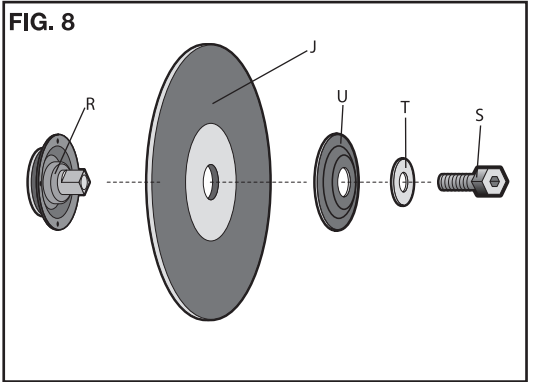
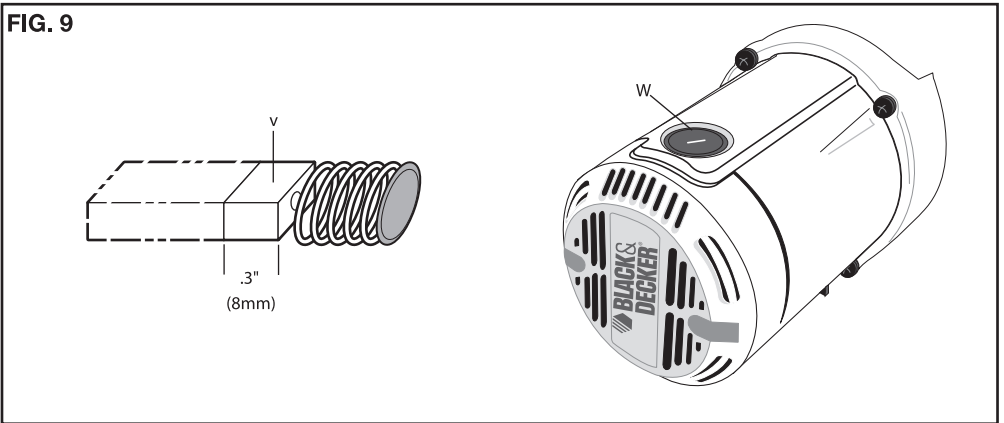


FIG. 9



Intended use

Your Black & Decker Chop Saw has been designed for the cutting of variously shaped steel materials. This product is intended for consumer use only.

Safety instructions

General power tool safety warnings



Warning! When using power tools, always observe the safety regulations applicable in your country to reduce the risk of fire, electric shock and personal injury.

- ◆ Read all of this manual carefully before using the appliance.
- ◆ The intended use is described in this manual. The use of any accessory or attachment or the performance of any operation with this appliance other than those recommended in this instruction manual may present a risk of personal injury.
- ◆ Retain this manual for future reference.

1. Keep work area clean

Cluttered areas and benches can cause accidents.

2. Consider work area environment

Do not expose the tool to rain. Do not use the tool in damp or wet conditions. Keep the work area well lit (250 - 300 Lux). Do not use the tool where there is a risk of causing fire or explosion, e.g. in the presence of flammable liquids and gases.

3. Guard against electric shock

Prevent body contact with earthed surfaces (e.g. pipes, radiators, cookers and refrigerators). When using the tool under extreme conditions (e.g. high humidity, when metal swarf is being produced, etc.), electric safety can be further improved by using a highsensitivity 30 mA Residual Current Device (RCD).

4. Keep other persons away

Do not let persons, especially children, not involved in the work touch the tool or the extension cord and keep them away from the work area.

5. Store idle tools

When not in use, tools must be stored in a dry place and locked up securely, out of reach of children.

6. Do not force the tool

It will do the job better and safer at the rate for which it was intended.

7. Use the right tool

Do not force small tools to do the job of a heavy duty tool. Do not use tools for purposes not intended; for example do not use circular saws to cut tree limbs or logs.

8. Dress properly

Do not wear loose clothing or jewellery, as these can be caught in moving parts. Wear protective hair covering to keep long hair out of the way. When working outdoors, preferably wear suitable gloves and non-slip footwear.

9. Use protective equipment

Always use safety glasses. Use a face or dust mask whenever the operations may produce dust or flying particles. If these particles might be considerably hot, also wear a heat-resistant apron. Wear ear protection at all times. Wear a safety helmet at all times.

10. Connect dust extraction equipment

If devices are provided for the connection of dust extraction and collection facilities, ensure that these are connected and properly used.

11. Do not abuse cord

Never carry the tool by its cord. Never pull the cord to disconnect from the socket. Keep the cord away from heat, oil and sharp edges.

12. Secure workpiece

Use clamps or a vice to hold the workpiece. It is safer and it frees both hands to operate the tool.

13. Do not overreach

Keep proper footing and balance at all times.

14. Maintain tools with care

Keep cutting tools sharp and clean for better and safer performance. Follow instruction for lubricating and changing accessories. Inspect tool cords periodically and if damaged have them repaired by an authorized service facility. Inspect extension cords periodically and replace if damaged. Keep handles dry, clean and free from oil and grease.

15. Disconnect tool

Switch off and wait for the tool to come to a complete standstill before leaving it unattended. Unplug the tool when not in use, before changing any parts of the tools, accessories or attachments and before servicing.

16. Remove adjusting keys and wrenches

Always check that adjusting keys and wrenches are removed from the tool before operating the tool.

17. Avoid unintentional starting

Do not carry the tool with a finger on the switch. Be sure that the tool is switched off before plugging in.

18. Use outdoor extension cables

Before use, inspect the extension cable and replace if damaged. When using the tool outdoors, only use extension cables intended for outdoor use and marked accordingly.

19. Stay alert

Watch what you are doing, use common sense and do not operate the tool when you are tired.

20. Check for damaged parts

Before use, carefully check the tool and mains cable for damage. Check for misalignment and seizure of moving parts, breakage of parts, damage to guards and switches and any other conditions that may affect its operation. Ensure that the tool will operate properly and perform its intended function. Do not use the tool if any part is damaged or defective. Do not use the tool if the switch does not turn it on and off. Have any damaged or defective parts replaced by an authorised Black and Decker repair agent. Never attempt any repairs yourself.

21. Warning!

The use of any accessory or attachment or performance of any operation with this tool other than those recommended in this instruction manual may present a risk of personal injury.

22. Have your tool repaired by a qualified person

This tool is in accordance with the relevant safety regulations. Have your tool repaired by an authorised Black and Decker repair agent. Repairs should only be carried out by qualified persons using original spare parts; otherwise this may result in considerable danger to the user.

Additional safety instructions for chopsaws

- ◆ Always wear regular working gloves while operating this tool.
- ◆ Keep hands away from the cutting disc. Never cut workpieces that require manual action closer than 15 cm from the rotating cutting disc.
- ◆ Do not cut workpieces less than 1.2 mm in thickness when using the cutting disc supplied with this tool.
- ◆ Do not operate this tool without guards in place.
- ◆ Do not perform any operation freehand. Use the material clamp to clamp the workpiece securely.

- ◆ Never reach in the back of the cutting disc.
- ◆ Always position the tool on a flat, stable surface that is well maintained and free of loose materials, e.g. chips and cut-offs.
- ◆ Before using, inspect the cutting disc for cracks or flaws. Discard the cutting disc if a crack or flaw is evident.
- ◆ Make sure the cutting disc is not contacting the workpiece before the tool is switched on.
- ◆ In operation, avoid bouncing the cutting disc or giving it rough treatment. If this occurs, stop the tool and inspect the cutting disc.
- ◆ Do not operate the tool while standing in line with the cutting disc. Keep other persons away from the work area.
- ◆ Be aware of cutting chips and the material being cut. They may be sharp and hot. Allow cut off parts to cool before handling.
- ◆ The spark deflector becomes hot during use. Avoid touching or adjusting the spark deflector immediately after operation.
- ◆ Switch off the tool and wait for the cutting disc to stop before moving the workpiece or changing the settings.
- ◆ After switching off, never attempt to stop the cutting disc by pressing against the side of the disc.
- ◆ Do not use cutting fluids. These fluids could ignite or cause electrical shock.
- ◆ Check that the workpiece is properly supported.
- ◆ Use the cutting discs recommended by the manufacturer only. Never use circular saw blades or any other types of toothed blades.
- ◆ The max. allowable speed of the cutting disc must always be equal to or greater than the no-load speed of the tool specified on the nameplate.
- ◆ Do not use cutting discs that do not conform to the dimensions stated in the technical data.
- ◆ Only use cutting discs that conform to EN12413.
- ◆ Ensure that the cutting disc is mounted correctly before use.
- ◆ Let the tool run at no-load in a safe position for at least 30 seconds. If there is a considerable vibration or if any other defect occurs, stop the tool and check it to determine the cause.
- ◆ Do not use cutting discs for side grinding.
- ◆ Do not cut concrete, brick, tile or ceramic materials.
- ◆ Do not cut wood, plastic or synthetic materials.
- ◆ Do not cut cast-iron materials.
- ◆ Never cut magnesium materials.
- ◆ Do not cut electrically live material.
- ◆ Use this tool in a well-ventilated area. Do not operate the tool near flammable liquids, gases or dust. Sparks or hot chips from cutting or arcing motor brushes may ignite combustible materials.

- ◆ Regularly clear the ventilation slots when working in dusty conditions. If it should become necessary to clean the slots, **remember to unplug the tool first.**
- ◆ Always store cutting discs well-protected and in a dry place, out of reach of children.
- ◆ **Warning!** Use of this tool can generate dust containing chemicals known to cause cancer, birth defects or other reproductive harm. Use appropriate respiratory protection.



Warning! Only use a chop saw wheel with a maximum thickness of 3 mm and a maximum diameter of 355mm.

Warning! The cutting wheel will continue to rotate after the tool has been switched off.

- ◆ Use only reinforced wheels rated 4300 rpm or higher.
- ◆ Always wear eye protection, use guards, clamp work in vise, use proper respiratory protection.

The following factors are of influence to noise production:

- ◆ the material to be cut
- ◆ the type of the cutting disc
- ◆ the feed force
- ◆ **Warning!** Take appropriate measures for the protection of hearing.

Residual risks

The following risks are inherent to the use of these machines:

- ◆ injuries caused by touching the rotating parts
- ◆ injuries caused by disruption of the cutting disc

These risks are most evident:

- ◆ within the range of operation
- ◆ within the range of the rotating machine parts

In spite of the application of the relevant safety regulations and the implementation of safety devices, certain residual risks cannot be avoided. These are:

- ◆ Impairment of hearing.
- ◆ Risk of accidents caused by the uncovered parts of the rotating cutting disc.
- ◆ Risk of injury when changing the disc.
- ◆ Risk of squeezing fingers when opening the guards.

Electrical safety



Your tool is double insulated; therefore no earth wire is required. Always check that the mains voltage corresponds to the voltage on the rating plate. Never attempt to replace the charger unit with a regular mains plug.

- ◆ If the supply cord is damaged, it must be replaced by the manufacturer or an authorised Black & Decker Service Centre in order to avoid a hazard.

Voltage drops

Inrush currents cause short-time voltage drops.

Under unfavourable power supply conditions, other equipment may be affected.

If the system impedance of the power supply is lower than 0.12 Ω, disturbances are unlikely to occur.

Warning Symbols

The following symbols are found on the tool:



Warning! To reduce the risk of injury, the user must read the instruction manual.



Always wear safety goggles.



Always wear safety hearing protection.

Features

This tool includes some or all of the following features.

- Lock Chain
- Spark deflector screw
- Spark deflector
- Base
- Fence
- Vice
- Flat Wrench
- Crank
 - Vice Lever
- Cutting disc
- Guard
- Spindle Lock
- Depth Stop Bolt and Locking Nut
- Trigger Switch
- Padlock Hole
- Fence Bolts

Assembly

Warning! Turn off and unplug the tool before making any adjustments or removing or installing attachments or accessories. Be sure the trigger switch is in the OFF position. Do not make any adjustment while the wheel is in motion..

Removing and fitting a cutting disc (fig. 7 - fig 8)

- ◆ Push in the spindle lock (L).
- ◆ Rotate the cutting disc (J) until it locks.
- ◆ Using the flat wrench (G), remove the bolt (S) by turning counterclockwise and then remove the washer (T) and the retaining flange (U).
- ◆ Check that the spacer (R) is in place against the flange.

- ◆ Replace the cutting disc (J). Make sure that the new disc is placed onto the spacer (R) in the correct rotational direction.
- ◆ Secure the blade with the retaining flange (U), the washer (T) and the bolt (S).
- ◆ Push in the spindle lock (L).
- ◆ Rotate the cutting disc (J) until it locks.
- ◆ Using the flat wrench (G), tighten the bolt (S) by turning clockwise.
- ◆ Move the guard back down and release the spindle lock (L).
- ◆ Adjust the cutting depth as necessary.

Adjusting the cutting depth (fig. 1)

The cutting depth can be adjusted to meet the wear of the cutting disc.

- ◆ Make a dry run with the tool switched off and check for clearance.
- ◆ If adjustment is required, proceed as follows:
- ◆ Loosen the lock nut (M) a few turns.
- ◆ Turn the depth stop bolt (M) in or out as to achieve the required cutting depth.
- ◆ Tighten the lock nut (M).

Warning: Always adjust the depth stop to its original position when replacing the cutting disc.

Clamping the workpiece in position (fig. 2 - fig 4)

The tool is equipped with a vise (F)

- ◆ Pull the lever (I) toward the handle (H).
- ◆ Push the vise (F) forward until the jaw is almost touching the workpiece.
- ◆ Press the lever (I) toward the jaw until it engages with the clamp shaft.
- ◆ Rotate the handle (H) clockwise and clamp the workpiece securely.
- ◆ To release the workpiece, rotate the handle (H) counterclockwise.
- ◆ To increase the cutting capacity, place a spacer block under the workpiece. The spacer block should be slightly narrower than the workpiece.

Warning: Support long workpieces using a piece of wood. Do not clamp the cut off end.

Quick travel feature (fig. 4)

The clamp has a quick travel feature.

- ◆ To release the clamp, rotate the handle (H) one or two turns counterclockwise and pull the lever (I) toward the handle (H).

Setting the clamping position (fig. 5)

The clamping position can be set to match the cutting disc.

- ◆ Remove the fence bolts (P) using the flat wrench (G).
- ◆ Move the fence (E) as required.
- ◆ Re-fit the fence bolts (P) and tighten them to lock the fence (E).

Adjusting the angle of cut (fig. 6)

The tool can be used for mitre cuts up to 45°.

- ◆ Loosen the fence bolts (P) to release the fence (E).
- ◆ Set the fence (E) to the required angle. The angle can be read on the scale (Q).
- ◆ Tighten the fence bolts (P) to lock the fence (E).

Checking and adjusting the mitre scale (fig. 6)

- ◆ Loosen the fence bolts (P) to release the fence (E).
- ◆ Pull down the arm and lock it in this position by attaching the lock chain (A).
- ◆ Place a square against the fence (E) and the left side of the cutting disc creating a perfect 90°. Check that the 0° marking on the scale (Q) aligns with the marking on the base (D).
- ◆ Tighten the fence bolts (P) to lock the fence (E).
- ◆ Remove the lock chain (A) and return the arm to its upper rest position.

Adjusting the spark deflector (fig. 1)

- ◆ Loosen the screw (B).
- ◆ Set the spark deflector (C) as appropriate.
- ◆ Tighten the screw (B).

Use

Warning: Always observe the safety instructions and applicable regulations.

Warning: Do not apply excessive pressure to the tool.

Warning: Avoid overloading. Should the tool become hot, let it run a few minutes under no load condition.


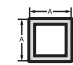
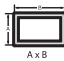

Cutting capacity

The wide vise opening and high pivot point provide cutting capacity for many large pieces. Use the cutting capacity chart to determine total maximum size of cuts that can be made with a new wheel.

Caution: Certain large, circular or irregularly shaped objects may require additional holding means if they cannot be held securely in vise.

Maximum cutting capacity

Note: Capacity shown on chart assumes no wheel wear and optimum fence position.

Workpiece shape				
90° cutting angle	A = 4-7/8" (125mm)	A = 4-1/2" (115mm)	4-1/2" x 5-1/8" (115mm x 130mm) 4" x 7-5/8" (115mm x 130mm) 3" x 7-3/8" (115mm x 130mm)	A = 4-1/2" x 5-3/8" (115mm x 137mm)
45° Cutting Angle	A = 4-1/2" (115mm)	A = 3-13/16" (98mm)	4-1/2" x 3-13/16" 4-1/8" x 3-3/4" (105mm x 95mm)	A = 3-13/16" 3-3/4" (95mm)

Prior to operation:

- ◆ Install the appropriate cutting disc. Do not use excessively worn discs. The maximum rotation speed of the tool must not exceed that of the cutting disc.
- ◆ Make sure the disc rotates in the direction of the arrows on the accessory and the tool.
- ◆ Secure the workpiece.
- ◆ Always set the spark deflector correctly.

Switching on and off (fig. 1)

The on/off trigger switch (N) is mounted in the operating handle.

- ◆ To run the tool, press the on/off trigger switch (N).
- ◆ Keep the on/off switch depressed while performing the operation.
- ◆ To stop the tool, release the trigger switch (N).

Warning: Do not switch the tool on or off when under load.

Warning: To prevent unauthorized use of tool, install a standard padlock (not included) into the padlock hole (O) located in the trigger switch.



Warning! Do not cut magnesium.

Consult your dealer for further information on the appropriate accessories.

Performing a cut (fig. 1)

- ◆ Place the material to be cut against the fence (E) and secure using the vise (F).
- ◆ Switch on the tool and pull down the handle to cut the workpiece. Allow the motor to reach full speed before cutting.
- ◆ Allow the disc to cut freely. Do not force.
- ◆ After completing the cut, switch off the tool and return the arm to its upper rest position.

Transporting (fig. 1)

The tool is equipped with a lock chain (A) which locks the tool in closed-down position for carrying.

Warning: Ensure that the tool is switched off and disconnected from the mains supply before transporting.

- ◆ Lower the guard (K) onto the cutting table base (D) and secure the tool in this position by securing the chain on the hook in the handle.
- ◆ Transport the tool using the carrying handles.
- ◆ To release the tool, depress the operating handle slightly and pull off the lock chain (A).

Maintenance

Your Black & Decker corded/cordless appliance/tool has been designed to operate over a long period of time with a minimum of maintenance. Continuous satisfactory operation depends upon proper appliance/tool care and regular cleaning.

Warning! Before performing any maintenance on corded/cordless appliance/tool:

- ◆ Switch off and remove the battery from the appliance.
- ◆ Keep the ventilation slots clear and regularly clean the housing with a soft cloth.
- ◆ Do not use abrasive cleaners.

Motor brush inspection and replacement (fig. 9)

Warning! Turn off and unplug the tool. Be sure the trigger switch is in the OFF position.

Brushes should be regularly inspected for wear. To inspect brushes, remove brush cap (W). Brushes (V) should slide freely in brush box. If brushes are worn down to .3" (8mm) as shown in Figure 9 they should be replaced. To reinstall, push new brush back into brush box. If replacing existing brush, maintain same orientation as when removed. Replace the brush cap (do not overtighten).

Cleaning

Blowing dust and grit out of the main housing by means of an air hose is recommended and may be done as often as dirt is seen collecting in and around the air vents. Always wear proper eye and respiratory protection.

Repairs

To assure product SAFETY and RELIABILITY, repairs, maintenance and adjustment should be performed by authorized service centers or other qualified service organizations, always using identical replacement parts.

Lubrication

Closed-type, grease-sealed ball bearings are used throughout. These bearings have sufficient lubrication packed in them at the factory to last the life of the chop saw.

Accessories

Caution! The use of any other accessory not recommended for use with this tool could be hazardous.

Use only high-strength Type 1 organic bonded wheels rated 4300 rpm or higher that comply with EN12413.

Recommended accessories for use with your tool are available at extra cost from your local dealer or authorized service center.

Protecting the environment



Separate collection. This product must not be disposed of with normal household waste.

Should you find one day that your Black & Decker product needs replacement, or if it is of no further use to you, do not dispose of it with household waste. Make this product available for separate collection.



Separate collection of used products and packaging allows materials to be recycled and used again.

Re-use of recycled materials helps prevent environmental pollution and reduces the demand for raw materials.

Local regulations may provide for separate collection of electrical products from the household, at municipal waste sites or by the retailer when you purchase a new product.

Black & Decker provides a facility for the collection and recycling of Black & Decker products once they have reached the end of their working life. To take advantage of this service please return your product to any authorised repair agent who will collect them on our behalf.

You can check the location of your nearest authorised repair agent by contacting your local Black & Decker office at the address indicated in this manual. Alternatively, a list of authorised Black & Decker repair agents and full details of our after-sales service and contacts are available on the Internet at: www.2helpU.com

Technical data

		CS355 (Type1)
Voltage	V _{ac}	230
Power Input	W	2,300
No-Load Speed	min ⁻¹	3,800
Max. Peripheral Speed Cutting Disc	m/s	80
Max. Disc Diameter	mm	355
Disc Bore	mm	25.4
Max Disc Thickness	mm	3
Type Of Cutting Disc		Straight, non recessed
Cross Cutting Capacity at 90°		
Circular	mm	125
Square	mm	115
Rectangular	mm	115 x 130
Angular	mm	137 x 137
Cross Cutting Capacity at 45°		
Circular	mm	115
Square	mm	98 x 98
Rectangular	mm	105 x 95
Angular	mm	95 x 95
Weight	kg	18

		CS355 (Type1)
L _{PA} (Sound Pressure)	dB(A)	93.1
Uncertainty (K)	dB(A)	3
L _{WA} (Sound Power)	dB(A)	105.3
Uncertainty (K)	dB(A)	3
Vibration a _n	m/s ²	6.46
Uncertainty (K)	m/s ²	1.5

EC declaration of conformity

MACHINERY DIRECTIVE



CS355

Black & Decker declares that these products described under "technical data" are in compliance with:
2006/42/EC, EN61029-1, EN61029-2-10

For more information, please contact Black & Decker at the following address or refer to the back of the manual.

The undersigned is responsible for compilation of the technical file and makes this declaration on behalf of Black & Decker.

A handwritten signature in black ink, appearing to read 'K. Hewitt', with a long horizontal stroke extending to the right.

Kevin Hewitt
Vice-President Global Engineering
Black & Decker Europe, 210 Bath Road, Slough,
Berkshire, SL1 3YD
United Kingdom
13/07/2010

Guarantee

Black & Decker is confident of the quality of its products and offers an outstanding guarantee. This guarantee statement is in addition to and in no way prejudices your statutory rights. The guarantee is valid within the territories of the Member States of the European Union and the European Free Trade Area.

If a Black & Decker product becomes defective due to faulty materials, workmanship or lack of conformity, within 24 months from the date of purchase, Black & Decker guarantees to replace defective parts, repair products subjected to fair wear and tear or replace such products to ensure minimum inconvenience to the customer unless:

- ◆ The product has been used for trade, professional or hire purposes;
- ◆ The product has been subjected to misuse or neglect;
- ◆ The product has sustained damage through foreign objects, substances or accidents;
- ◆ Repairs have been attempted by persons other than authorised repair agents or Black & Decker service staff.

To claim on the guarantee, you will need to submit proof of purchase to the seller or an authorised repair agent. You can check the location of your nearest authorised repair agent by contacting your local Black & Decker office at the address indicated in this manual. Alternatively, a list of authorised Black & Decker repair agents and full details of our after-sales service and contacts are available on the Internet at: www.2helpU.com

Please visit our website www.blackanddecker.co.uk to register your new Black & Decker product and to be kept up to date on new products and special offers. Further information on the Black & Decker brand and our range of products is available at www.blackanddecker.co.uk

Bestimmungsgemäße Verwendung

Ihre Black & Decker Kappsäge wurde zum Sägen unterschiedlich geformter Werkstücke aus Stahl entwickelt. Dieser Artikel ist nicht für den gewerblichen Gebrauch vorgesehen.

Sicherheitshinweise

Allgemeine Sicherheitswarnungen für das Gerät



Achtung!

Beachten Sie beim Umgang mit Geräten stets die im jeweiligen Land geltenden Sicherheitsbestimmungen, um Brände, Stromschläge und Verletzungen zu vermeiden.

- ◆ Lesen Sie diese Anleitung vollständig und aufmerksam durch, bevor Sie das Gerät zum ersten Mal verwenden.
- ◆ Der vorgesehene Verwendungszweck ist in dieser Anleitung beschrieben. Bei Verwendung von Zubehör oder Anbauteilen, die nicht in dieser Anleitung empfohlen werden, sowie bei der Verwendung des Geräts in Abweichung von den in dieser Anleitung beschriebenen Verfahren besteht Verletzungsgefahr.
- ◆ Bewahren Sie diese Anleitung auf.

1. Halten Sie den Arbeitsbereich sauber.

Unaufgeräumte Bereiche und Werkbänke können Unfälle verursachen.

2. Beachten Sie die Arbeitsumgebung.

Schützen Sie das Gerät vor Regen. Betreiben Sie das Gerät nie in feuchter oder nasser Umgebung. Sorgen Sie für eine ausreichende Beleuchtung des Arbeitsbereichs (250 - 300 Lux). Verwenden Sie das Gerät nicht in Umgebungen, in denen Brand- bzw. Explosionsgefahr besteht, beispielsweise aufgrund entflammbarer Flüssigkeiten und Gase.

3. Schützen Sie sich vor Stromschlägen.

Vermeiden Sie Körperkontakt mit geerdeten Oberflächen (z. B. Rohren, Heizungen, Herden und Kühlgeräten). Bei Verwendung des Geräts unter extremen Bedingungen (z. B. bei hoher Luftfeuchtigkeit, wenn Metallspäne anfallen usw.) die Verwendung eines Fehlerstromschutzschalters (30 mA) erhöht die elektrische Sicherheit.

4. Halten Sie andere Personen fern.

Lassen Sie keinesfalls unbeteiligte Personen, insbesondere Kinder, das Gerät oder das Verlängerungskabel berühren, und halten Sie diese aus dem Arbeitsbereich fern.

5. Verstauen Sie nicht verwendete Geräte.

Bewahren Sie das Gerät bei Nichtgebrauch an einem trockenen, sicher verschlossenen Ort außerhalb der Reichweite von Kindern auf.

6. Überlasten Sie das Gerät nicht.

Durch das Arbeiten in dem für das Gerät angegebenen Leistungsbereich erzielen Sie optimale Ergebnisse und erhöhen die Sicherheit.

7. Verwenden Sie ein geeignetes Gerät.

Verwenden Sie keinesfalls kleine Geräte für Schwereinsätze. Verwenden Sie das Gerät nicht zweckentfremdet. Verwenden Sie beispielsweise keine Kreissägen zum Beschneiden von Ästen oder dem Fällen von Bäumen.

8. Tragen Sie geeignete Kleidung.

Tragen Sie keine lose Kleidung oder Schmuck, da diese von sich bewegenden Teilen erfasst werden können. Tragen Sie einen Haarschutz, um lange Haare vom Gerät fernzuhalten. Tragen Sie bei der Arbeit im Freien möglichst geeignete Handschuhe und rutschfestes Schuhwerk.

9. Verwenden Sie eine geeignete Schutzausrüstung.

Tragen Sie stets eine Schutzbrille. Verwenden Sie eine Atemschutz- oder Staubmaske, wenn bei der Arbeit Staub oder Splitter entstehen können. Tragen Sie zusätzlich eine hitzebeständige Schürze, wenn diese Teile möglicherweise heiß sind. Tragen Sie stets einen Gehörschutz. Tragen Sie stets einen Schutzhelm.

10. Schließen Sie eine Staubabsaugvorrichtung an.

Falls Vorrichtungen zum Absaugen oder Auffangen von Staub vorhanden sind, vergewissern Sie sich, dass diese angeschlossen sind und richtig verwendet werden.

11. Verwenden Sie das Kabel ordnungsgemäß.

Tragen Sie das Gerät keinesfalls am Kabel. Ziehen Sie den Netzstecker keinesfalls am Kabel aus der Netzsteckdose. Halten Sie das Kabel fern von starker Hitze, Öl und scharfen Gegenständen.

12. Sichern Sie das Werkstück.

Benutzen Sie gegebenenfalls eine Klemme oder eine Schraubzwinde, um das Werkstück zu fixieren. Dies erhöht die Sicherheit. Außerdem kann das Gerät so mit beiden Händen bedient werden.

13. Beugen Sie sich nicht zu weit nach vorn über.

Achten Sie jederzeit auf einen sicheren Stand, und halten Sie das Gleichgewicht.

14. Warten Sie Geräte ordnungsgemäß.

Scharfe und saubere Sägeblätter sind sicherer und erzielen eine höhere Leistung. Befolgen Sie die Anweisungen zum Schmieren und Wechseln von Zubehörteilen. Überprüfen Sie die Gerätekabel regelmäßig, und lassen Sie diese bei Beschädigungen in einer Vertragswerkstatt reparieren. Überprüfen Sie die Verlängerungskabel regelmäßig, und tauschen Sie diese bei Beschädigungen aus. Achten Sie darauf, dass die Griffe trocken, sauber sowie frei von Öl und Fett sind.

15. Ziehen Sie den Gerätestecker.

Schalten Sie das Gerät stets aus, und warten Sie, bis dieses vollständig zum Stillstand gekommen ist, bevor Sie das Gerät unbeaufsichtigt lassen. Trennen Sie das Gerät von der Stromversorgung, bevor Sie Geräte-, Zubehör- oder Anbauteile austauschen oder Wartungsarbeiten durchführen.

16. Entfernen Sie Einstell- und Schraubenschlüssel.

Stellen Sie vor dem Betrieb des Geräts stets sicher, dass alle Einstell- und Schraubenschlüssel entfernt wurden.

17. Vermeiden Sie eine unbeabsichtigte Inbetriebnahme.

Tragen Sie das Gerät nicht mit dem Finger am Schalter. Vergewissern Sie sich vor dem Anschließen des Netzsteckers, dass das Gerät ausgeschaltet ist.

18. Verwenden Sie im Freien geeignete Verlängerungskabel.

Kontrollieren Sie das Verlängerungskabel vor der Verwendung. Ersetzen Sie beschädigte Kabel. Verwenden Sie geeignete und entsprechend gekennzeichnete Verlängerungskabel, wenn Sie mit dem Gerät im Freien arbeiten.

19. Bleiben Sie aufmerksam.

Verwenden Sie das Gerät aufmerksam und vernünftig. Verwenden Sie das Gerät nicht, wenn Sie müde sind.

20. Überprüfen Sie, ob Teile beschädigt sind.

Überprüfen Sie das Gerät und das Netzkabel vor dem Gebrauch sorgfältig auf eventuelle Beschädigungen. Überprüfen Sie, ob bewegliche Teile falsch ausgerichtet oder falsch angebracht und ob Teile, Schutzvorrichtungen oder Schalter beschädigt sind. Achten Sie auch auf andere Beschädigungen, die den Betrieb des Geräts beeinträchtigen können. Stellen Sie sicher, dass das Gerät ordnungsgemäß funktioniert. Betreiben Sie das Gerät nicht, wenn Teile beschädigt oder defekt sind. Verwenden Sie das Gerät nicht, wenn der Ein-/Ausschalter nicht funktioniert. Lassen Sie beschädigte oder defekte Teile in einer Black & Decker Vertragswerkstatt reparieren oder austauschen. Versuchen Sie nicht, das Gerät selbst zu reparieren.

21. Achtung!

Bei Verwendung von Zubehör oder Anbauteilen, die nicht in dieser Anleitung empfohlen sind, sowie bei der Bedienung des Geräts in Abweichung von den in dieser Anleitung beschriebenen Verfahren besteht Verletzungsgefahr.

22. Lassen Sie das Gerät nur von qualifiziertem Fachpersonal reparieren.

Dieses Gerät erfüllt alle einschlägigen Sicherheitsbestimmungen. Lassen Sie das Gerät in einer Black & Decker Vertragswerkstatt reparieren. Reparaturen sind nur von qualifizierten Fachkräften und mit Originalersatzteilen vorzunehmen. Andernfalls besteht Unfall- und Verletzungsgefahr.

Zusätzliche Sicherheitshinweise für Kappsägen

- ◆ Tragen Sie bei der Arbeit mit dem Gerät stets geeignete Arbeitshandschuhe.
- ◆ Halten Sie Ihre Hände von der Trennscheibe fern. Bearbeiten Sie keinesfalls Werkstücke, wenn Ihre Hände weniger als 15 cm von der Trennscheibe entfernt sind.
- ◆ Bearbeiten Sie mit der im Lieferumfang dieses Geräts enthaltenen Trennscheibe keine Werkstücke von einer Stärke unter 1,2 mm.
- ◆ Verwenden Sie das Gerät nicht ohne ordnungsgemäß angebrachte Schutzvorrichtungen.
- ◆ Führen Sie keine Freihandarbeiten durch. Fixieren Sie das Werkstück mit der Materialklemme.
- ◆ Bringen Sie Ihre Hände nicht hinter die Trennscheibe.
- ◆ Stellen Sie das Gerät stets auf einer ebenen, stabilen Unterlage auf, die aufgeräumt und frei von losen Gegenständen wie Spänen und Verschnittstücken ist.
- ◆ Kontrollieren Sie die Trennscheibe vor der Verwendung auf Risse und Beschädigungen. Wechseln Sie gerissene oder beschädigte Trennscheiben aus.
- ◆ Stellen Sie sicher, dass die Trennscheibe das Werkstück nicht vor dem Einschalten des Geräts berührt.
- ◆ Vermeiden Sie während des Betriebs das Zurückschlagen der Trennscheibe, und überlasten Sie diese nicht. Halten Sie das Gerät in diesem Fall an, und überprüfen Sie die Trennscheibe.
- ◆ Betreiben Sie das Gerät nicht, wenn Sie sich in gerader Linie zur Trennscheibe befinden. Halten Sie andere Personen aus dem Arbeitsbereich fern.
- ◆ Achten Sie auf Späne und Schnittmaterial. Beides kann scharfkantig und heiß sein. Lassen Sie Verschnittstücke abkühlen, bevor Sie diese berühren.
- ◆ Der Funkendeflektor kann während des Betriebs heiß werden. Berühren Sie den Funkendeflektor nicht unmittelbar nach dem Betrieb, und stellen Sie diesen nicht unmittelbar nach dem Betrieb ein.

- ◆ Schalten Sie das Gerät aus, und warten Sie bis die Trennscheibe vollständig zum Stillstand gekommen ist, bevor Sie das Werkstück bewegen oder Einstellungen vornehmen.
- ◆ Drücken Sie nach dem Ausschalten des Geräts keinesfalls seitlich gegen die Trennscheibe, um diese zu bremsen.
- ◆ **Verwenden Sie keine Schneidflüssigkeiten.** Diese Flüssigkeiten können sich entzünden oder Stromschläge verursachen.
- ◆ Überprüfen Sie den ordnungsgemäßen Sitz des Werkstücks.
- ◆ Verwenden Sie nur vom Hersteller empfohlene Trennscheiben. Verwenden Sie keinesfalls Kreissägeblätter oder andere gezahnte Sägeblätter.
- ◆ Die maximal zulässige Drehzahl der Trennscheibe muss der auf dem Typenschild des Geräts angegebenen Leerlaufdrehzahl entsprechen oder diese übersteigen.
- ◆ Verwenden Sie keine Trennscheiben, die von den in den technischen Daten angegebenen Abmessungen abweichen.
- ◆ Stellen Sie die vor der Verwendung die korrekte Montage der Trennscheibe sicher.
- ◆ Betreiben Sie das Gerät mindestens 30 Sekunden in einer sicheren Stellung im Leerlauf. Schalten Sie das Gerät aus, wenn eine ungewöhnliche Vibration oder ein anderer Defekt auftritt, und ermitteln Sie die Ursache.
- ◆ Verwenden Sie die Trennscheibe nicht zum Schleifen von Kanten.
- ◆ Scheiden Sie weder Beton, Ziegel, Fiesen noch andere Keramikmaterialien.
- ◆ Schneiden Sie weder Holz, Plastik noch andere synthetische Materialien.
- ◆ Schneiden Sie kein Gusseisen.
- ◆ Schneiden Sie keinesfalls Gegenstände aus Magnesium.
- ◆ Schneiden Sie keine stromführenden Gegenstände.
- ◆ Verwenden Sie das Gerät in einem gut belüfteten Bereich. Betreiben Sie das Gerät nicht in der Umgebung von brennbaren Flüssigkeiten, Gasen oder Staub. Beim Schneiden entstehende Funken oder Späne sowie die Energieentladungen an den Motorbürsten können **entflammare Materialien entzünden**.
- ◆ Säubern Sie bei der Arbeit in staubigen Umgebungen die Lüftungsschlitze regelmäßig. Reinigen Sie die Schlitze ggf. Trennen Sie jedoch das Gerät zunächst von der Stromversorgung.
- ◆ Bewahren Sie Trennscheiben stets an einem sicheren, trockenen Ort außerhalb der Reichweite von Kindern auf.
- ◆ **Achtung!** Bei der Verwendung dieses Geräts entsteht möglicherweise Staub, der Chemikalien enthält, die Krebs, Geburtsfehler oder andere Fortpflanzungsstörungen verursachen können. Verwenden Sie einen geeigneten Atemschutz.



Achtung!

Verwenden Sie nur Trennscheiben mit einer maximalen Stärke von 3 mm und einem maximalen Durchmesser von 355 mm.

Achtung! Die Trennscheibe dreht sich auch nach dem Ausschalten des Geräts weiter.

- ◆ **Verwenden Sie nur verstärkte Scheiben, die für 4300/min oder mehr geeignet sind.**
- ◆ Verwenden Sie stets einen Augenschutz, die Schutzvorrichtungen, eine Klemme für Werkstücke und einen geeigneten Atemschutz.

Folgende Faktoren haben Auswirkungen auf den Schallpegel:

- ◆ Schnittmaterial
- ◆ Art der Trennscheibe
- ◆ Vorschubkraft
- ◆ **Achtung!** Verwenden Sie einen geeigneten Gehörschutz.

Restrisiken

Bei der Verwendung dieser Geräte bestehen folgende prinzipbedingte Risiken:

- ◆ Verletzungen durch das Berühren sich drehender Teile
- ◆ Verletzungen, die durch den Bruch der Trennscheibe verursacht werden

Diese Risiken bestehen vor Allem in:

- ◆ Betriebsbereich
- ◆ Bereich rotierender Geräteteile

Auch bei der Einhaltung der entsprechenden Sicherheitsvorschriften und der Verwendung aller Sicherheitsgeräte bestehen weiterhin bestimmte Restrisiken.

Dies sind:

- ◆ Beeinträchtigung des Gehörs.
- ◆ Das Risiko von Unfällen, die durch ungeschützte Teile der rotierenden Trennscheibe verursacht werden.
- ◆ Das Verletzungsrisiko beim Wechseln der Trennscheibe.
- ◆ Die Quetschgefahr beim Öffnen der Schutzvorrichtungen.

Elektrische Sicherheit



Dieses Gerät ist schutzisoliert, daher ist keine Erdleitung erforderlich. Stellen Sie sicher, dass die Netzspannung der auf dem Typenschild des Geräts angegebenen Spannung entspricht. Ersetzen Sie das Ladegerät keinesfalls durch ein normales Netzkabel.

- ◆ Ist das Netzkabel beschädigt, muss es durch den Hersteller oder eine Black & Decker Vertragswerkstatt ausgetauscht werden, um eine mögliche Gefährdung zu vermeiden.

Spannungsabsenkungen

Einschaltvorgänge erzeugen kurzfristige Spannungsabsenkungen. Bei ungünstigen Netzbedingungen können Beeinträchtigungen anderer Geräte auftreten.

Bei Netzimpedanzen kleiner als 0.12Ω , sind keine Störungen zu erwarten.

Warnsymbole

Am Gerät sind die folgenden Warnsymbole angebracht:



Achtung! Lesen Sie vor Gebrauch die Anleitung. Andernfalls besteht Verletzungsgefahr.



Tragen Sie stets eine Schutzbrille.



Tragen Sie stets einen Gehörschutz.

Merkmale

Dieses Gerät verfügt über einige oder alle der folgenden Merkmale.

- A. Verriegelungskette
- B. Funkendeflektorschraube
- C. Funkendeflektor
- D. Sockel
- E. Anschlag
- F. Klemmvorrichtung
- G. Gabelschlüssel
- H. Kurbel
 - I. Klemmhebel
- J. Trennscheibe
- K. Schutzvorrichtung
- L. Spindelarreterierung
- M. Tiefenbegrenzungsschraube und Sicherungsmutter
- N. Auslöser
- O. Schließloch
- P. Anschlagsschrauben

Montage

Achtung! Schalten Sie das Gerät aus und ziehen Sie den Netzstecker, bevor Sie Einstellungen vornehmen oder Zubehörteile und Aufsätze entfernen bzw. anbringen. Stellen Sie sicher, dass sich der Auslöser in der Stellung AUS befindet. Nehmen Sie keinesfalls Einstellungen vor, während sich die Scheibe dreht.

Entfernen und Anbringen einer Trennscheibe (Abb. 7 – Abb. 8)

- ◆ Drücken Sie die Spindelarreterierung (L).
- ◆ Drehen Sie die Trennscheibe (J), bis diese einrastet.
- ◆ Lösen Sie mithilfe des Gabelschlüssels (G) die Schraube (S) durch Drehen im Uhrzeigersinn. Entfernen

Sie anschließend die Unterlegscheibe (T) und den Halterungsflansch (U).

- ◆ Stellen Sie sicher, dass das Distanzstück (R) am Flansch anliegt.
- ◆ Ersetzen Sie die Trennscheibe (J). Stellen Sie sicher, dass die neue Trennscheibe in der richtigen Drehrichtung am Distanzstück (R) anliegt.
- ◆ Sichern Sie die Trennscheibe mit dem Halterungsflansch (U), der Unterlegscheibe (T) und der Schraube (S).
- ◆ Drücken Sie die Spindelarreterierung (L).
- ◆ Drehen Sie die Trennscheibe (J), bis diese einrastet.
- ◆ Ziehen Sie mit dem Gabelschlüssel (G) die Schraube (S) im Uhrzeigersinn an.
- ◆ Schließen Sie die Schutzvorrichtung, und lösen Sie die Spindelarreterierung (L).
- ◆ Stellen Sie die Schnitttiefe wie gewünscht ein.

Einstellen der Schnitttiefe (Abb. 1)

Die Schnitttiefe lässt sich an den Abnutzungsgrad der Trennscheibe anpassen.

- ◆ Führen Sie bei ausgeschaltetem Gerät einen Probelauf durch, und prüfen Sie das Spiel.
- ◆ Gehen Sie folgendermaßen vor, wenn eine Anpassung erforderlich ist:
- ◆ Lösen Sie die Sicherungsmutter (M) um einige Umdrehungen.
- ◆ Stellen Sie mithilfe der Tiefenbegrenzungsschraube (M) die erforderliche Schnitttiefe ein.
- ◆ Ziehen Sie die Sicherungsmutter (M) fest.

Achtung: Stellen Sie die Tiefenbegrenzung bei einem Wechsel der Trennscheibe stets auf die ursprüngliche Stellung ein.

Sichern des Werkstücks (Abb. 2 – Abb. 4)

Das Gerät verfügt über eine Klemmvorrichtung (F)

- ◆ Ziehen Sie den Hebel (I) in Richtung des Griffs (H).
- ◆ Drücken Sie die Klemmvorrichtung (F) nach vorne, bis die Backe das Werkstück fast berührt.
- ◆ Drücken Sie den Hebel (I) in Richtung der Backe, bis dieser in die Welle der Klemmvorrichtung eingreift.
- ◆ Drehen Sie den Griff (H) im Uhrzeigersinn, um das Werkstück zu sichern.
- ◆ Drehen Sie den Griff (H) entgegen dem Uhrzeigersinn, um das Werkstück freizugeben.
- ◆ Platzieren Sie einen Abstandhalter unter dem Werkstück, um die Schnitttiefe zu erhöhen. Der Abstandhalter sollte ein wenig schmaler sein als das Werkstück.

Achtung: Stützen Sie lange Werkstücke mit einem Stück Holz ab. Sichern Sie den Verschnittteil nicht.

Schnellarretierung (Abb. 4)

Die Klemmvorrichtung verfügt über eine Schnellarretierung.

- ◆ Drehen Sie den Griff (H) um ein bis zwei Umdrehungen entgegen dem Uhrzeigersinn, und ziehen Sie den Hebel (I) in Richtung des Griffs (H).

Festlegen der Klemmenstellung (Abb. 5)

Die Klemmenstellung lässt sich an die Trennscheibe anpassen.

- ◆ Entfernen Sie die Anschlagschrauben (P) mithilfe des Gabelschlüssels (G).
- ◆ Stellen Sie den Anschlag (E) wie gewünscht ein.
- ◆ Bringen Sie die Anschlagschrauben (P) wieder an, und ziehen Sie diese fest, um den Anschlag (E) zu arretieren.

Einstellen des Schnittwinkels (Abb. 6)

Das Gerät ist für Gehrungsschnitte bis zu einem Winkel von 45° geeignet.

- ◆ Lösen Sie die Anschlagschrauben (P), um den Anschlag (E) freizugeben.
- ◆ Stellen Sie den Anschlag (E) auf den gewünschten Winkel ein. Der Winkel kann auf der Skala (Q) abgelesen werden.
- ◆ Ziehen Sie die Anschlagschrauben (P) fest, um den Anschlag (E) zu arretieren.

Prüfen und Einstellen der Gehrungsskala (Abb. 6)

- ◆ Lösen Sie die Anschlagschrauben (P), um den Anschlag (E) freizugeben.
- ◆ Ziehen Sie den Arm nach unten, und arretieren Sie diesen mithilfe der Verriegelungskette (A) in dieser Stellung.
- ◆ Stellen Sie mithilfe eines Quadrats den Winkel zwischen dem Anschlag (E) und der linken Seite der Trennscheibe auf genau 90° ein. Stellen Sie sicher, dass die 0°-Markierung der Skala (Q) auf die Markierung am Sockel (D) ausgerichtet ist.
- ◆ Ziehen Sie die Anschlagschrauben (P) fest, um den Anschlag (E) zu arretieren.
- ◆ Entfernen Sie die Verriegelungskette (A) und stellen Sie den Arm wieder auf die obere Ruhestellung ein.

Einstellen des Funkendeflektors (Abb. 1)

- ◆ Lösen Sie die Schraube (B).
- ◆ Stellen Sie den Funkendeflektor (C) wie gewünscht ein.
- ◆ Ziehen Sie die Schraube (B) fest.

Gebrauch

Achtung: Beachten Sie stets die Sicherheitsanweisungen und geltende Bestimmungen.

Achtung: Üben Sie keinen übermäßigen Druck auf das Gerät aus.

Achtung: Vermeiden Sie eine Überlastung. Betreiben Sie das Gerät einige Minuten im Leerlauf, wenn dieses heiß wird.

Schnittleistung

Die Schnittleistung für zahlreiche große Werkstücke wird durch die maximale Öffnungsweite der Klemmvorrichtung sowie den oberen Drehpunkt festgelegt. Bestimmen Sie die maximale Schnittgröße bei einer neuen Trennscheibe anhand der Schnittleistungstabelle.

Achtung: Für einige große, runde oder unregelmäßig geformte Werkstücke sind ggf. zusätzliche Halterungsvorrichtungen erforderlich, wenn sich diese mithilfe der Klemmvorrichtung nicht sichern lassen.

Achtung: Verwenden Sie dieses Gerät nicht, um Magnesium zu schneiden.

Maximale Schnittleistung

Hinweis: Die in der Tabelle angegebenen Werte für die Schnittleistung gelten bei neuen Trennscheiben und optimal eingestelltem Anschlag.

Form des Werkstücks				
90° Schnittwinkel	A = 125 mm	A = 115 mm	115 mm x 130 mm	A = 115 mm x 137 mm)
			115 mm x 130 mm	
			115 mm x 130 mm	
45° Schnittwinkel	A = 115 mm	A = 98 mm	105 mm x 95 mm)	A = 95 mm

Vor Inbetriebnahme:

- ◆ Bringen Sie eine geeignete Trennscheibe an. Verwenden Sie keine stark abgenutzten Trennscheiben. Die maximale Drehzahl des Geräts darf die maximale Drehzahl der Trennscheibe nicht überschreiten.
- ◆ Stellen Sie sicher, dass sich die Trennscheibe in Richtung der Pfeile auf dem Zubehörteil und dem Gerät dreht.
- ◆ Sichern Sie das Werkstück.
- ◆ Stellen Sie den Funkendeflektor stets richtig ein.

Ein- und Ausschalten (Abb. 1)

Der Auslöser zum Ein- und Ausschalten (N) befindet sich im Betriebsgriff.

- ◆ Drücken Sie den Auslöser zum Ein- und Ausschalten (N), um das Gerät einzuschalten.
- ◆ Halten Sie den Ein-/Ausschalter während des Betriebs gedrückt.

- ◆ Lassen Sie den Auslöser (N) los, um das Gerät auszuschalten.

Achtung: Schalten Sie das Gerät nicht unter Last ein oder aus.

Achtung: Bringen Sie ein herkömmliches Bügelschloss (nicht im Lieferumfang enthalten) am Schließbloch (O) an, das sich am Auslöser befindet, um eine unberechtigte Verwendung des Geräts zu verhindern.



Achtung!

Schneiden Sie kein Magnesium.

Wenden Sie sich bezüglich weiterer Informationen zu geeigneten Zubehöerteilen an Ihren Händler.

Schneiden (Abb. 1)

- ◆ Legen Sie das Werkstück am Anschlag (E) an, und sichern Sie dieses mithilfe der Klemmvorrichtung (F).
- ◆ Schalten Sie das Gerät ein, und drücken Sie den Griff nach unten, um das Werkstück zu durchtrennen. Warten Sie vor dem Schneiden, bis der Motor die volle Drehzahl erreicht.
- ◆ Stellen Sie sicher, dass die Trennscheibe ungehindert arbeitet. Gehen Sie nicht mit Gewalt vor.
- ◆ Schalten Sie das Gerät nach dem Schneiden aus, und bewegen Sie den Arm zurück in die obere Ruhestellung.

Transport (Abb. 1)

Das Gerät verfügt über eine Verriegelungskette (A), mit der sich das Gerät für den Transport in der geschlossenen Stellung arretieren lässt.

Achtung: Stellen Sie vor dem Transport sicher, dass das Gerät ausgeschaltet ist, und ziehen Sie den Netzstecker.

- ◆ Senken Sie die Schutzvorrichtung (K) auf den Schneidetischsockel (D) ab, und arretieren Sie das Gerät in dieser Stellung, indem Sie die Kette an dem Haken im Griff einhängen.
- ◆ Transportieren Sie das Gerät mithilfe der Tragegriffe.
- ◆ Drücken Sie den Betriebsgriff leicht nach unten, und lösen Sie die Verriegelungskette (A), um das Gerät freizugeben.

Wartung

Ihr Black & Decker Gerät (mit und ohne Netzkabel) wurde im Hinblick auf eine lange Lebensdauer und einen möglichst geringen Wartungsaufwand entwickelt. Ein dauerhafter, einwandfreier Betrieb setzt eine regelmäßige Pflege und Reinigung voraus.

Achtung! Vor dem Ausführen jeglicher Wartungsarbeiten an Geräten mit und ohne Netzkabel:

- ◆ Schalten Sie das Gerät aus, und entfernen Sie die Batterie.
- ◆ Halten Sie die Belüftungsschlitze frei von Verstopfungen, und reinigen Sie das Gehäuse regelmäßig mit einem weichen Tuch.
- ◆ Verwenden Sie keine scheuernden Reinigungsmittel.

Kontrollieren und Ersetzen der Motorbürsten (Abb. 9)

Achtung! Schalten Sie das Gerät aus, und ziehen Sie den Netzstecker. Stellen Sie sicher, dass sich der Auslöser in der Stellung AUS befindet.

Die Bürsten sollten regelmäßig auf Abnutzung kontrolliert werden. Nehmen Sie die Bürstenabdeckung (W) ab, um die Bürsten zu kontrollieren. Die Bürsten (V) sollten sich innerhalb des Bürstengehäuses frei bewegen können. Bürsten, die wie in Abb. 9 dargestellt auf 8 mm abgenutzt sind, müssen ersetzt werden.

Bringen Sie eine neue Bürste an, indem Sie diese in das Bürstengehäuse drücken. Stellen Sie sicher, dass die neue Bürste ebenso ausgerichtet ist, wie die zuvor verwendete. Bringen Sie die Bürstenabdeckung wieder an, und ziehen Sie diese nicht zu fest an.

Reinigung

Staub und Verschmutzungen sollten, sobald sich Staub an den Lüftungsschlitzen sammelt, möglichst mit Druckluft entfernt werden. Tragen Sie stets einen geeigneten Augen- und Atemschutz.

Reparaturen

Um die SICHERHEIT und ZUVERLÄSSIGKEIT des Geräts zu gewährleisten, sollten Reparaturen, Wartungsarbeiten und Einstellungen in einer Vertragswerkstatt oder von einem anderen qualifizierten Wartungsunternehmen vorgenommen und stets identische Ersatzteile verwendet werden.

Schmierung

Das Gerät verfügt ausschließlich über geschlossene, schmiermittelgedichtete Kugellager. Diese Lager enthalten ab Werk ausreichend Schmiermittel für die gesamte Lebensdauer der Kappsäge.

Zubehöerteile

Achtung! Die Verwendung von Zubehöerteilen, die nicht für den Gebrauch mit dem Gerät empfohlen werden, kann gefährlich sein.

Verwenden Sie ausschließlich Trennscheiben mit organischen Schleifmitteln vom Typ 1, die für 4300/m oder mehr ausgelegt sind.

Empfohlene Zubehöerteile können Sie im örtlichen Fachhandel oder in einer Vertragswerkstatt erwerben.

Umweltschutz



Getrennte Entsorgung. Dieses Produkt darf keinesfalls mit dem Hausmüll entsorgt werden.

Sollten Sie Ihr Black & Decker Produkt eines Tages ersetzen oder nicht mehr benötigen, entsorgen Sie es nicht mit dem Hausmüll. Führen Sie das Produkt einer getrennten Sammlung zu.



Durch die getrennte Sammlung von ausgedienten Produkten und Verpackungsmaterialien können Rohstoffe recycelt und wiederverwendet werden.

Die Wiederverwendung aufbereiteter Materialien trägt zur Vermeidung der Umweltverschmutzung bei und senkt den Rohstoffbedarf.

Die Verordnung zur Abfallentsorgung Ihrer Gemeinde sieht möglicherweise vor, dass Elektrogeräte getrennt vom Hausmüll gesammelt, an der örtlichen Abfallentsorgungseinrichtung abgegeben oder beim Kauf eines neuen Produkts vom Fachhandel zur Entsorgung angenommen werden müssen.

Black & Decker nimmt Ihre ausgedienten Black & Decker Geräte gern zurück und sorgt für eine umweltfreundliche Entsorgung bzw. Wiederverwertung. Um diese Dienstleistung in Anspruch zu nehmen, geben Sie das Gerät bitte bei einer autorisierten Reparaturwerkstatt ab, die für uns die Einsammlung übernimmt.

Die Adresse der zuständigen Niederlassung von Black & Decker steht in dieser Anleitung. Dort teilt man Ihnen gerne die nächstgelegene Vertragswerkstatt mit. Eine Liste der Vertragswerkstätten und aller Kundendienststellen von Black & Decker sowie der zuständigen Ansprechpartner finden Sie auch im Internet unter: www.2helpU.com

Technische Daten

		CS355 (Typ 1)
Spannung	V_{ac}	230
Leistungsaufnahme	W	2.300
Leerlaufdrehzahl	min ⁻¹	3.800
Min. Umfangsgeschwindigkeit der Trennscheibe	m/s	80
Sägeblattdurchmesser	mm	355
Sägeblattbohrung	mm	25,4
Sägeblattspitzenbreite	mm	3
Art der Trennscheibe	Gerade, ohne Aussparungen	
Querschnittleistung bei 90°		
d	m	125
Quadratisch	mm	119 x 119
Rechteckig	mm	115 x 130
Winklig	mm	137 x 137
Querschnittleistung bei 45°		
Rund	mm	98
Quadratisch	mm	98 x 98
Rechteckig	mm	115 x 98
Winklig	mm	98 x 98
Gewicht	kg	18

		CS355 (Typ 1)
LpA (Schalldruck)	dB(A)	93,1
Unsicherheitsfaktor (K)	dB(A)	3
LWA (Schalleistung)	dB(A)	105,3
Unsicherheitsfaktor (K)	dB(A)	3
Vibration ah	m/s ²	6,46
Unsicherheitsfaktor (K)	m/s ²	1,5

EG-Konformitätserklärung

MASCHINENRICHTLINIE



CS355

Black & Decker erklärt, dass diese unter "Technische Daten" beschriebenen Geräte übereinstimmen mit:

2006/42/EG, EN61029-1, EN61029-2-10

Weitere Informationen erhalten Sie von Black & Decker unter der folgenden Adresse. Diese befindet sich auch auf der Rückseite dieser Anleitung.

Der Unterzeichnete ist verantwortlich für die Zusammenstellung der technischen Daten und gibt diese Erklärung im Namen von Black & Decker ab.

Kevin Hewitt
Vice-President Global Engineering
Black & Decker Europe, 210 Bath Road, Slough,
Berkshire, SL1 3YD
Großbritannien
27/05/2010

Garantie

Black & Decker vertraut auf die Qualität der eigenen Geräte und bietet dem Käufer eine außergewöhnliche Garantie. Diese Garantiezusage versteht sich unbeschadet der gesetzlichen Gewährleistungsansprüche und schränkt diese keinesfalls ein. Sie gilt in sämtlichen Mitgliedstaaten der Europäischen Union und der Europäischen Freihandelszone EFTA.

Tritt innerhalb von 24 Monaten ab Kaufdatum an einem Gerät von Black & Decker ein auf Material- oder Verarbeitungsfehler zurückzuführender Mangel auf, garantiert Black & Decker den Austausch defekter Teile, die Reparatur von Geräten mit üblichem Verschleiß bzw. den Austausch eines mangelhaften Gerätes, ohne den Kunden dabei mehr als unbedingt nötig in Anspruch zu nehmen, allerdings vorbehaltlich folgender Ausnahmen:

- ◆ wenn das Gerät gewerblich, beruflich oder im Verleihgeschäft benutzt wurde;
- ◆ wenn das Gerät missbräuchlich verwendet oder mit mangelnder Sorgfalt behandelt wurde;
- ◆ wenn das Gerät durch irgendwelche Fremdeinwirkung beschädigt wurde;
- ◆ wenn ein unbefugter Reparaturversuch durch anderes Personal als das einer Vertragswerkstatt oder des Black & Decker Kundendienstes unternommen wurde.

Zur Inanspruchnahme dieser Garantie ist dem Verkäufer bzw. der Vertragswerkstatt ein Kaufnachweis vorzulegen. Die Adresse der zuständigen Niederlassung von Black & Decker steht in dieser Anleitung. Dort teilt man Ihnen gerne die nächstgelegene Vertragswerkstatt mit. Eine Liste der Vertragswerkstätten und aller Kundendienststellen von Black & Decker sowie der zuständigen Ansprechpartner finden Sie auch im Internet unter: www.2helpU.com

Bitte besuchen Sie unsere Website www.blackanddecker.de, um Ihr neues Black & Decker Produkt zu registrieren. Dort erhalten Sie auch Informationen über neue Produkte und Sonderangebote. Weitere Informationen über die Marke Black & Decker und unsere Produkte finden Sie unter www.blackanddecker.de.

Utilisation

Votre scie circulaire à métaux Black & Decker est conçue pour la coupe d'objets en acier de différentes formes. Ce produit est destiné à une utilisation exclusivement domestique.

Consignes de sécurité

Consignes de sécurité concernant les outils électroportatifs



Attention ! Respectez toujours les normes de sécurité applicables dans votre pays lorsque vous utilisez les outils électroportatifs, ceci afin de limiter le risque d'incendie, les chocs électriques et les blessures personnelles.

- ◆ Lisez attentivement le manuel complet avant d'utiliser l'outil.
- ◆ Ce manuel décrit la manière d'utiliser cet outil. L'utilisation d'un accessoire ou d'une fixation, ou bien l'utilisation de cet outil à d'autres fins que celles recommandées dans ce manuel d'instruction peut présenter un risque de blessures.
- ◆ Gardez ce manuel pour référence ultérieure.

1. Maintenez la zone de travail propre

Une zone de travail et des établis en désordre augmentent le risque d'accidents.

2. Vérifiez l'environnement de la zone de travail

N'utilisez pas l'outil sous la pluie. Ne l'exposez pas l'outil à l'humidité. Maintenez la zone de travail propre et bien éclairée (250 - 300 Lux). N'utilisez pas l'outil dans un environnement présentant des risques d'explosion ou d'incendie, ni en présence de liquides, gaz et poussières inflammables.

3. Protégez-vous contre les chocs électriques

Évitez le contact physique avec des surfaces mises à la terre (ex. tuyaux, radiateurs, cuisinières et réfrigérateurs). Si l'outil est utilisé dans des conditions extrêmes (ex. forte humidité, en présence de copeaux de métal, etc.), utilisez un dispositif de courant résiduel à grande sensibilité, 30 mA (RCD) pour améliorer la sécurité électrique.

4. Éloignez toutes les personnes

Ne laissez personne, surtout les enfants, ne participant pas au travail, toucher l'outil ou la rallonge. Maintenez ces personnes à distance de la zone de travail.

5. Rangez les outils électroportatifs

Quand ils ne sont pas utilisés, les outils doivent être rangés dans un endroit sec et hors de portée des enfants. Le dispositif de verrouillage doit aussi être enclenché.

6. Respectez la capacité de l'outil.

En respectant cette consigne, vous travaillerez mieux et en toute sécurité.

7. Utilisez l'outil approprié.

Ne poussez pas les petits outils à faire le travail d'un outil destiné à des tâches plus difficiles. N'exécutez que les travaux appropriés à ces outils. Par exemple, n'utilisez pas des scies circulaires pour couper de grosses branches ou des bûches.

8. Portez des vêtements appropriés

Les vêtements amples ou les bijoux peuvent s'accrocher dans les pièces en mouvement. Couvrez les cheveux longs pour éviter le contact avec l'outil. Pour le travail à l'extérieur, portez de préférence des gants et des chaussures non glissantes adaptés.

9. Portez un équipement de protection.

Portez toujours des lunettes de sécurité. Utilisez un masque anti-poussières dès que le travail est source de poussière ou de projection de débris. Ces débris risquent d'être très chauds, dans ce cas portez aussi un tablier résistant à la chaleur. Portez toujours des protections auditives. Portez toujours un casque de sécurité.

10. Raccordez le matériel de refoulement de poussière

En cas d'utilisation d'outils servant à aspirer ou à recueillir les poussières, raccordez et utilisez ces derniers de manière appropriée.

11. Préservez le câble d'alimentation

Ne portez jamais l'outil par son câble d'alimentation. Ne tirez jamais sur le câble d'alimentation pour débrancher la prise. Maintenez le câble éloigné de toute source de chaleur, de zones graisseuses et de bords tranchants.

12. Fixez la pièce à couper

Utilisez des pinces ou un étau pour maintenir la pièce à couper. La sécurité est ainsi garantie et les deux mains sont libres pour utiliser l'outil.

13. Adoptez une position confortable

La stabilité et l'équilibre sont importants.

14. Entretenez les outils électroportatifs

Gardez les outils de coupe aiguisés et propres pour garantir un fonctionnement fiable et de meilleure qualité. Suivez les instructions pour le graissage et le changement des accessoires. Vérifiez régulièrement les cordons d'alimentation des outils. S'ils sont endommagés, faites-les réparer par un centre de réparation agréé. Vérifiez régulièrement l'état des rallonges et remplacez-les si elles sont endommagées. Veillez

à ce que les poignées soient sèches et propres, sans trace d'huile ou de graisse.

15. Débranchez l'outil

Arrêtez l'outil et attendez que le disque se stabilise complètement avant de le laisser sans surveillance. Débranchez l'outil avant de changer des pièces sur l'outil, des accessoires ou des fixations et avant l'entretien. Faites de même quand il n'est pas utilisé.

16. Retirez les outils ou les clés de réglage

Vérifiez toujours que les outils et les clés de réglage sont retirés de l'outil avant la mise en marche.

17. Évitez un démarrage imprévu

Ne déplacez pas l'outil avec un doigt sur le bouton. Assurez-vous que l'outil est éteint avant de le brancher.

18. Utilisez des rallonges appropriées pour l'extérieur

Avant d'utiliser la rallonge, assurez-vous qu'elle est en bon état. Remplacez-la si ce n'est pas le cas. Pour manipuler l'outil à l'extérieur, utilisez uniquement une rallonge homologuée pour ce genre d'utilisation et signalée comme tel.

19. Restez vigilant

Restez vigilant, surveillez ce que vous faites. Faites preuve de bon sens et n'utilisez pas l'outil quand vous êtes fatigué.

20. Vérifiez les pièces endommagées

Avant l'utilisation, vérifiez si l'outil et le câble secteur sont en bon état. Vérifiez que les parties en mouvement fonctionnent correctement et qu'elles sont correctement placées. Vérifiez l'état des protections et des commandes. Vérifiez l'état général pour repérer ce qui pourrait nuire au bon fonctionnement. Vérifiez le fonctionnement de l'outil et ses différentes options. N'utilisez pas l'outil si une pièce est endommagée ou défectueuse. N'utilisez pas l'outil si le bouton marche/arrêt est défectueux. Faites réparer ou remplacez les pièces défectueuses ou endommagées par un réparateur agréé Black & Decker. En aucun cas, n'essayez de réparer vous-même.

21. Attention !

L'utilisation d'un accessoire ou d'une fixation, ou bien l'utilisation de cet outil à d'autres fins que celles recommandées dans ce manuel peut présenter un risque de blessures.

22. Faites réparer votre outil par une personne qualifiée

Cet outil est conforme aux normes de sécurité en vigueur. S'il est endommagé, faites-le réparer par un réparateur agréé Black & Decker. Les réparations doivent être effectuées exclusivement par des personnes qualifiées utilisant des

pièces de rechange d'origine. Le non respect de cette consigne peut s'avérer très dangereux pour l'utilisateur.

Consignes de sécurité supplémentaires pour scies circulaires à métaux

- ◆ Portez toujours des gants de travail pour travailler avec cet outil.
- ◆ Éloignez vos mains du disque de coupe. Ne coupez jamais des pièces qui nécessitent l'approche des doigts à moins de 15 cm du disque de coupe en rotation.
- ◆ Ne coupez pas les pièces de moins de 1,2 mm d'épaisseur avec le disque fourni avec cet outil.
- ◆ Ne faites jamais fonctionner cet outil sans les protections.
- ◆ Aucune pièce à couper ne doit être tenue à la main. Utilisez des pinces pour la maintenir fermement en place.
- ◆ N'allez jamais jusqu'à l'arrière du disque de coupe.
- ◆ Positionnez toujours l'outil sur une surface plate et stable, bien entretenue et sans débris, par ex. des copeaux.
- ◆ Avant l'utilisation, vérifiez si le disque de coupe est en bon état. Mettez le disque de coupe au rebut si une fissure ou une imperfection est visible.
- ◆ Avant de démarrer l'outil, assurez-vous que le disque de coupe n'est pas en contact avec la pièce à couper.
- ◆ Pendant le fonctionnement, évitez de faire sauter le disque de coupe ou de l'utiliser de manière trop intensive. Si cela se produit, arrêtez l'outil et vérifiez le disque de coupe.
- ◆ Ne restez pas debout dans l'alignement direct du disque de coupe pendant le fonctionnement. Éloignez toutes les personnes de la zone de travail.
- ◆ Faites attention aux copeaux et au matériel coupé. Ils peuvent être chauds et coupants. Laissez les pièces coupées refroidir avant de les manipuler.
- ◆ Le déflecteur d'étincelles chauffe pendant l'utilisation. Évitez de toucher ou d'ajuster le déflecteur d'étincelles immédiatement après avoir utilisé l'outil.
- ◆ Arrêtez l'outil et attendez que le disque de coupe s'arrête avant de déplacer la pièce à couper ou de changer les réglages.
- ◆ Une fois l'outil hors tension, n'essayez jamais d'arrêter le disque de coupe en appuyant sur le côté du disque.
- ◆ N'utilisez pas de liquide de coupe. Ces liquides peuvent enflammer le matériel ou causer des chocs électriques.
- ◆ Vérifiez si la pièce à couper est correctement maintenue.
- ◆ N'utilisez que les disques de coupe recommandés par le fabricant. N'utilisez jamais des lames de scie circulaire ou d'autres types de lame dentées.
- ◆ La vitesse maximale possible pour le disque de coupe doit toujours être égale ou supérieure à la vitesse sans charge de l'outil spécifiée sur la plaque signalétique.
- ◆ N'utilisez pas les disques de coupe qui ne sont pas conformes aux dimensions mentionnées dans les données techniques.

- ◆ Vérifiez le montage du disque de coupe avant l'utilisation.
- ◆ Laissez l'outil tourner sans charge dans une position fiable pendant au moins 30 secondes. S'il y a trop de vibrations ou si une anomalie se produit, arrêtez l'outil et vérifiez-le pour déterminer la cause.
- ◆ N'utilisez pas les disques de coupe pour meuler les côtés.
- ◆ Ne coupez pas le béton, les briques, les tuiles ou les objets en céramique.
- ◆ Ne coupez pas le bois, le plastique ou les objets synthétiques.
- ◆ Ne coupez pas les objets en fonte.
- ◆ Ne coupez pas les objets en magnésium.
- ◆ Ne coupez pas d'objet sous tension.
- ◆ N'utilisez l'outil que si l'endroit est correctement aéré. Ne faites pas fonctionner l'outil dans un environnement proche de liquides, de gaz ou de poussières inflammables. Les étincelles et les copeaux chauds provenant des balais de moteur pendant la coupe ou la formation d'un arc peuvent enflammer les matériaux combustibles.
- ◆ Nettoyez régulièrement les orifices de ventilation quand les conditions de travail sont poussiéreuses. Si le nettoyage des orifices de ventilation s'avère nécessaire, n'oubliez pas avant tout de débrancher l'outil.
- ◆ Protégez toujours les disques de coupe avant de les ranger. Choisissez pour le rangement, un endroit sec et hors de portée des enfants.
- ◆ **Attention !** Cet outil peut générer des poussières contenant des éléments chimiques connus pour causer des cancers, des anomalies congénitales ou autres problèmes de reproduction. Utilisez une protection des voies respiratoires appropriée.



Attention ! N'utilisez qu'un disque de scie circulaire à métaux d'une épaisseur minimum de 3 mm et d'un diamètre maximum de 355 mm.

Attention !

Les disques de coupe continuent de tourner après avoir éteint l'outil.

- ◆ N'utilisez que des disques renforcés d'une valeur nominale de 4 300 tr/min ou plus.
- ◆ Portez toujours des lunettes de protection. Utilisez des protections et un dispositif de fixation dans l'étau. Utilisez une protection des voies respiratoires appropriée.

Les facteurs suivants sont source de bruit :

- ◆ le matériel à couper
- ◆ le type de disque de coupe
- ◆ la force d'avance
- ◆ **Attention !** Prenez donc les mesures appropriées pour vous protéger contre le bruit.

Risques résiduels

Les risques suivants sont propres à l'utilisation de ces machines :

- ◆ Les blessures dues au contact des pièces/en rotation.
- ◆ Les blessures causées par l'interruption du disque de coupe.

Ces risques sont les plus évidents :

- ◆ Pendant le fonctionnement
- ◆ Pendant la rotation des pièces de la machine

Malgré l'application des normes de sécurité correspondantes et la présence de dispositifs de sécurité, les risques résiduels suivants ne peuvent être évités. Il s'agit :

- ◆ Déficience auditive.
- ◆ Risque d'accidents causés par des pièces visibles du disque de coupe en rotation.
- ◆ Risques de blessure pendant le changement de disque.
- ◆ Risque de coincement de doigts en ouvrant les protections.

Sécurité électrique



Votre outil est doublement isolé. Par conséquent, aucun câble de mise à la terre n'est nécessaire. Vérifiez toujours si la tension indiquée sur la plaque signalétique de l'appareil correspond à la tension de secteur. N'essayez jamais de remplacer le chargeur par une prise secteur.

- ◆ Si le câble d'alimentation est endommagé, il doit être remplacé par le fabricant ou par un Centre de réparation Black & Decker agréé pour éviter tout danger.

Chutes de tension

Les appels de courants provoquent de courtes chutes de tension. Dans des conditions d'alimentation électrique peu favorables, d'autres équipements peuvent être affectés.

Si l'impédance du système d'alimentation électrique est inférieure à 0.12 Ω, il est peu probable que des perturbations se produisent.

Symboles d'avertissement

Les symboles suivants se trouvent sur votre appareil :



Attention ! Pour réduire le risque de blessures, l'utilisateur doit lire le manuel d'instructions.



Portez toujours des lunettes de sécurité.



Portez toujours un serre-tête antibruit.

Éléments

Cet outil comprend certains, ou tous, les éléments suivants :

- A. Chaîne de verrouillage

- B. Vis du déflecteur d'étincelles
- C. Déflecteur d'étincelles
- D. Base
- E. Guide
- F. Étau
- G. Clé plate
- H. Manivelle
 - I. Levier de l'étau
- J. Disque de coupe
- K. Protection
 - L. Axe de verrouillage
- M. Boulon de butée de profondeur et écrou de blocage
- N. Déclencheur
- O. Trou de cadenas
- P. Boulons du guide

Assemblage

Attention ! Arrêtez l'outil et débranchez-le avant d'effectuer des réglages ou bien de retirer ou d'installer les accessoires ou les fixations. Assurez-vous que le déclencheur est en position OFF. N'effectuez aucun réglage quand le disque tourne.

Installation et retrait du disque de coupe (figures 7 et 8)

- ◆ Poussez l'axe de verrouillage (L).
- ◆ Tournez le disque de coupe (J) jusqu'à ce qu'il se bloque.
- ◆ Avec la clé plate (G), retirez le boulon (S) en le tournant dans le sens inverse des aiguilles d'une montre, puis retirez la rondelle (T) et le flasque de fixation (U).
- ◆ Vérifiez si la cale (R) est placée contre le flasque.
- ◆ Remplacez le disque de coupe (J). Assurez-vous que le nouveau disque est correctement placé sur la cale (R) dans le bon sens de rotation.
- ◆ Fixez la lame avec le flasque de fixation (U), la rondelle (T) et le boulon (S).
- ◆ Poussez l'axe de verrouillage (L).
- ◆ Tournez le disque de coupe (J) jusqu'à ce qu'il se bloque.
- ◆ Avec la clé plate (G), serrez le boulon (S) en le tournant dans le sens des aiguilles d'une montre.
- ◆ Déplacez la protection vers le bas et relâchez l'axe de verrouillage (L).
- ◆ Réglez la profondeur de coupe, comme nécessaire.

Réglage de la profondeur de coupe (figure 1)

La profondeur de coupe peut être réglée en fonction du disque de coupe.

- ◆ Faites tourner le disque avant de mettre l'outil en marche et vérifiez le jeu.
- ◆ Si un réglage s'avère nécessaire, effectuez ce qui suit :
- ◆ Desserrez l'écrou de verrouillage (M) de quelques tours.
- ◆ Serrez ou desserrez le boulon de butée de profondeur (M)

afin d'atteindre la profondeur de coupe requise.

- ◆ Serrez l'écrou de blocage (M).

Attention : La butée de profondeur doit toujours être remise à sa position d'origine lors du remplacement du disque de coupe.

Fixation de la pièce à couper (figures 2 et 4)

L'outil est équipé d'un étau (F)

- ◆ Tirez le levier (I) vers la poignée (H).
- ◆ Poussez l'étau (F) vers l'avant jusqu'à ce que les mâchoires touchent pratiquement la pièce à couper.
- ◆ Appuyez le levier (I) vers la mâchoire jusqu'à ce qu'il s'enclenche avec l'axe du dispositif de fixation.
- ◆ Tournez la poignée (H) dans le sens des aiguilles d'une montre et fixez fermement la pièce à couper.
- ◆ Pour dégager la pièce, tournez la poignée (H) dans le sens contraire des aiguilles d'une montre.
- ◆ Pour augmenter la capacité de coupe, placez une cale sous la pièce à couper. La cale doit être légèrement plus étroite que la pièce à couper.

Attention : Soutenez les longues pièces à couper avec un morceau de bois. Ne fixez pas l'extrémité de la pièce à couper.

Option de course rapide (figure 4)

Le dispositif de fixation a une option de course rapide.

- ◆ Pour dégager le dispositif de fixation, faites tourner la poignée (H) d'un ou deux tours dans le sens contraire des aiguilles d'une montre et tirez le levier (I) vers la poignée (H).

Réglage de la position de fixation (figure 5)

La position de fixation peut être réglée en fonction du disque de coupe.

- ◆ Retirez les boulons du guide (P) avec la clé plate (G).
- ◆ Déplacez le guide (E) comme requis.
- ◆ Réinstallez les boulons de guide (P) et serrez-les pour verrouiller le guide (E).

Réglage de l'angle de coupe (figure 6)

L'outil peut être utilisé pour des coupes d'onglet de 45°.

- ◆ Desserrez les boulons de guide (P) pour dégager le guide (E).
- ◆ Placez le guide (E) sur l'angle requis. L'angle peut être lu sur le rapporteur (Q).
- ◆ Serrez les boulons de guide (P) pour bloquer le guide (E).

Contrôle et réglage du rapporteur (figure 6)

- ◆ Desserrez les boulons de guide (P) pour dégager le guide (E).
- ◆ Abaissez le bras et verrouillez-le dans cette position en attachant la chaîne de verrouillage (A).
- ◆ Placez un rapporteur contre le guide (E) et le côté gauche

du disque de coupe créé un angle parfait de 90°. Vérifiez que le repère 0° sur le rapporteur (Q) est aligné avec le repère sur la base (D).

- ◆ Serrez les boulons de guide (P) pour bloquer le guide (E).
- ◆ Déplacez la chaîne de verrouillage (A) et remplacez le bras dans sa position de base.

Ajustement du déflecteur de poussière (figure 1)

- ◆ Desserrez la vis (B).
- ◆ Réglez le déflecteur de poussière (C) comme nécessaire.
- ◆ Serrez la vis (B).

Utilisation

Attention : Respectez toujours les consignes de sécurité et les règlements applicables.

Attention : N'exercez pas trop de pression sur l'outil.

Attention : Évitez la surcharge. Si l'outil devient chaud, laissez-le tourner quelques minutes à vide.

Capacité de coupe

La large ouverture de l'étau et le point haut du pivot permettent de couper la plupart des grandes pièces. Utilisez le tableau de capacité de coupe pour déterminer les dimensions totales de coupe qui peuvent être réalisées avec un disque neuf.

Attention : Pour certains objets de formes circulaires ou irrégulières, un support supplémentaire peut être nécessaire s'il est impossible de les maintenir fermement dans l'étau.

Attention : Ne coupez pas du magnésium avec cet outil.

Capacité de coupe maximale

Remarque : La capacité indiquée sur le tableau suppose que le disque n'est pas usé et que le guide est dans la position optimale.

Forme de la pièce à couper				
90° angle de coupe	A = 4-7/8" (125 mm)	A = 4-1/2" (115 mm)	4-1/2" x 5-1/8"(115 mm x 130 mm)4" x 7-5/8"(115 mm x 130 mm)3" x 7-3/8"(115 mm x 130 mm)	A = 4-1/2" x 5-3/8" (115mm x 137mm)
45° Angle de coupe	A = 4-1/2" (115 mm)	A = 3-13/16" (98 mm)	4-1/2" x 3-13/16"4- 1/8" x 3-3/4"(105 mm x 95 mm)	A = 3-13/16" 3-3/4" (95 mm)

Avant le fonctionnement :

- ◆ Installez le disque de coupe approprié. N'utilisez pas de disques excessivement usés. La vitesse de rotation maximale de l'outil ne doit pas dépasser celle du disque de coupe.
- ◆ Assurez-vous que le disque tourne dans le sens des flèches sur l'accessoire et l'outil.
- ◆ Fixez fermement la pièce à couper.
- ◆ Réglez toujours le déflecteur de poussière correctement.

Mise en marche et arrêt (figure 1)

Le déclencheur (N) est monté sur la poignée.

- ◆ Pour mettre l'outil en marche, appuyez sur le déclencheur (N).
- ◆ Gardez le déclencheur appuyé pendant le fonctionnement.
- ◆ Pour arrêter l'outil, relâchez le déclencheur (N).

Attention : Ne mettez pas l'outil sous tension/hors tension quand il est sous charge.

Attention : Pour éviter que d'autres personnes utilisent cet outil, installez un cadenas standard (non inclus) dans le trou du cadenas (O) qui se trouve sur le déclencheur.



Attention ! Ne coupez pas du magnésium.

Renseignez-vous auprès de votre revendeur pour connaître les accessoires appropriés.

Exécution d'une coupe (figure 1)

- ◆ Placez le matériel à couper contre le guide (E) et fixez-le avec l'étau (F).
- ◆ Mettez l'outil en marche et abaissez la poignée pour couper la pièce. Laissez le moteur atteindre complètement sa vitesse avant de couper.
- ◆ Laissez le disque couper librement. Ne forcez pas.
- ◆ Une fois la coupe terminée, mettez l'outil hors tension et remplacez le bras dans sa position d'origine.

Transport (figure 1)

L'outil est équipé d'une chaîne de verrouillage (A) qui bloque l'outil vers le bas pour le transporter.

Attention : Assurez-vous que l'outil est hors tension et débranché du secteur avant de le transporter.

- ◆ Abaissez la protection (K) sur la base du socle de coupe (D) et fixez l'outil dans cette position en plaçant la chaîne sur le crochet de la poignée.
- ◆ Transportez toujours l'outil avec les poignées.
- ◆ Pour dégager l'outil, appuyez légèrement sur la poignée et tirez la chaîne de verrouillage (A).

Entretien

Votre appareil/outil sans fil/avec fil Black & Decker a été conçu pour fonctionner pendant longtemps avec un minimum d'entretien. Un fonctionnement continu satisfaisant dépend d'un nettoyage régulier et d'un entretien approprié de l'appareil/outil.

Attention ! À ne pas oublier avant d'effectuer des réparations des appareils/outils sans fil/avec fil :

- ◆ Éteignez l'appareil et retirez la pile.
- ◆ Maintenez les orifices de ventilation propres et nettoyez régulièrement le boîtier à l'aide d'un chiffon sec.
- ◆ N'utilisez pas de produits abrasifs.

Vérification et remplacement des balais du moteur (figure 9)

Attention ! Arrêtez l'outil, puis débranchez-le. Assurez-vous que le déclencheur est en position OFF.

Vérifiez régulièrement les balais pour détecter le niveau d'usure. Pour vérifier les balais, retirez le bouchon (W). Les balais (V) doivent glisser librement dans le boîtier. Si les balais sont usés .3" (8 mm) comme indiqué sur la figure 9, il faut les remplacer.

Pour la réinstallation, poussez le nouveau balai dans le boîtier. Pour remplacer le balai existant, maintenez la même orientation que lors du retrait. Remplacez le bouchon (sans trop serrer).

Nettoyage

Il est recommandé de souffler la poussière et la grenaille avec un tuyau d'air hors du boîtier. Ceci est à faire chaque fois qu'il y a présence de saletés dans et autour des aérations. Portez toujours des lunettes et une protection pour les voies respiratoires.

Réparations

Pour que le produit puisse être utilisé en toute SÉCURITÉ et FIABILITÉ, les réparations, l'entretien et les réglages doivent être exécutés par des centres de réparation agréés ou d'autres ateliers de réparations qualifiés, en utilisant toujours les pièces de rechange identiques.

Graissage

Des roulements de retenue de graisse de type fermé sont utilisés. Ces roulements sont suffisamment lubrifiés à l'usine et ne nécessitent pas de graissage sur toute la durée de vie de la scie.

Accessoires

Attention ! L'utilisation d'autres accessoires non recommandés pour cet appareil peut être dangereuse. N'utilisez que des disques renforcés à liant organique de Type 1 d'une valeur nominale de 4 300 tr/min ou plus.

Les accessoires recommandés pour l'utilisation avec votre outils sont disponibles à l'achat auprès de votre revendeur local ou centre de réparation agréé.

Protection de l'environnement



Recyclage. Ce produit ne doit pas être jeté avec les déchets ménagers.

Si votre appareil/outil Black & Decker doit être remplacé ou si vous ne l'utilisez plus, ne le jetez pas avec les ordures ménagères. Songez à la protection de l'environnement et recyclez-le.



La collecte séparée des produits et des emballages usagés permet de recycler et de réutiliser des matériaux. La réutilisation de matériaux recyclés évite la pollution de l'environnement et réduit la demande de matières premières.

Des réglementations locales peuvent stipuler la collecte séparée des produits électriques et des produits ménagers, dans des déchetteries municipales ou par le revendeur lorsque vous achetez un nouveau produit.

Black & Decker offre une solution permettant de recycler les produits Black & Decker lorsqu'ils ont atteint la fin de leur cycle de vie. Pour pouvoir profiter de ce service, veuillez retourner votre produit à un réparateur agréé qui se chargera de le collecter pour nous.

Pour connaître l'adresse du réparateur agréé le plus proche de chez vous, contactez le bureau Black & Decker à l'adresse indiquée dans ce manuel. Vous pourrez aussi trouver une liste de réparateurs agréés de Black & Decker et de plus amples détails sur notre service après-vente sur le site Internet à l'adresse suivante : www.2helpU.com

Déclaration de conformité CE

CONSIGNES DE MACHINERIE



CS355

Black & Decker confirme que les produits décrits dans les "Données techniques" sont conformes aux normes :

2006/42/CE, EN61029-1, EN61029-2-10

Pour plus de détails, veuillez contacter Black & Decker à l'adresse suivante ou reportez-vous au dos du manuel.

Le soussigné est responsable des données de la fiche technique et fait cette déclaration au nom de Black & Decker.

Kevin Hewitt
Vice-Président - ingénierie internationale
Black & Decker Europe, 210 Bath Road, Slough,
Berkshire, SL1 3YD
Royaume-Uni
27/05/2010

Caractéristiques techniques

		CS355 (Type1)
Tension	V _{ac}	230
Puissance	W	2,300
Vitesse à vide	min ⁻¹	3,800
Disque de coupe, vitesse périphérique minimum	m/s	80
Diamètre de lame	mm	355
Alésage de lame	mm	25.4
Largeur de la lame	mm	3
Type de disque de coupe	Droit, non encastré	
Capacité de coupe croisée à 90°		
Circulaire	mm	125
Rapporteur	mm	115
Rectangulaire	mm	115 x 130
Angulaire	mm	137 x 137
Capacité de coupe croisée à 45°		
Circulaire	mm	115
Rapporteur	mm	98 x 98
Rectangulaire	mm	105 x 95
Angulaire	mm	95 x 95
Poids	kg	18

		CS355 (Type1)
LpA (pression sonore)	dB(A)	93.1
Incertitude (K)	dB(A)	3
LWA (puissance sonore)	dB(A)	105.3
Incertitude (K)	dB(A)	3
Vibration ah	m/s ²	6.46
Incertitude (K)	m/s ²	1.5

Garantie

Black & Decker assure la qualité de ses produits et vous offre une garantie très élargie. Ce certificat de garantie est un document supplémentaire et ne peut en aucun cas se substituer à vos droits légaux. La garantie est valable sur tout le territoire des États Membres de l'Union Européenne et de la Zone de Libre Échange Européenne.

Si un produit Black & Decker s'avère défectueux en raison de matériaux en mauvaises conditions, d'une erreur humaine, ou d'un manque de conformité dans les 24 mois suivant la date d'achat, Black & Decker garantit le remplacement des pièces défectueuses, la réparation des produits usés ou cassés ou remplace ces produits à la convenance du client, sauf dans les circonstances suivantes :

- ◆ Le produit a été utilisé dans un but commercial, professionnel, ou a été loué;
- ◆ Le produit a été mal utilisé ou utilisé avec négligence;
- ◆ Le produit a subi des dommages à cause d'objets étrangers, de substances ou à cause d'accidents;
- ◆ Des réparations ont été tentées par des techniciens ne faisant pas partie du service technique de Black & Decker.

Pour avoir recours à la garantie, il est nécessaire de fournir une preuve d'achat au vendeur ou à un réparateur agréé.

Pour connaître l'adresse du réparateur agréé

le plus proche de chez vous, contactez le bureau Black & Decker à l'adresse indiquée dans ce manuel. Vous pourrez aussi trouver une liste de réparateurs agréés de Black & Decker et de plus amples détails sur notre service après-vente sur le site Internet à l'adresse suivante : www.2helpU.com

Visitez notre site Web www.blackanddecker.fr pour enregistrer votre nouveau produit Black & Decker et être informé des nouveaux produits et des offres spéciales. Pour plus d'informations concernant la marque Black & Decker et notre gamme de produits, consultez notre site www.blackanddecker.fr

Usò previsto

La sega a quartabuono Black & Decker è stata progettata per il taglio di materiali in acciaio di forme diverse. Questo prodotto è stato progettato solo per uso individuale.

Istruzioni di sicurezza

Avvisi di sicurezza generici per gli elettroutensili



Avvertenza! Quando si usano gli elettroutensili, rispettare sempre i regolamenti di sicurezza in vigore nel proprio paese per limitare il rischio di incendio, scosse elettriche e lesioni personali.

- ◆ Leggere attentamente il presente manuale prima di usare l'elettroutensile.
- ◆ L'uso previsto è descritto nel presente manuale. Se questo elettroutensile viene usato con accessori o lame o per usi diversi da quelli raccomandati nel presente manuale d'uso, si potrebbero verificare lesioni personali.
- ◆ Conservare il presente manuale per futura consultazione.

1. Mantenere pulita l'area di lavoro

Il disordine nell'area di lavoro e sul banco può causare incidenti.

2. Prendere in considerazione le condizioni ambientali dell'area di lavoro

Non esporre l'elettroutensile alla pioggia. Non usare l'elettroutensile in ambienti umidi o bagnati. Tenere l'area di lavoro ben illuminata (250 - 300 lux). Non usare l'elettroutensile dove vi è il rischio di causare incendi o esplosioni, ad esempio nelle vicinanze di liquidi o gas infiammabili.

3. Fare attenzione alle scosse elettriche

Impedire il contatto tra il corpo e le superfici collegate a terra (come tubi, radiatori, forni e frigoriferi). Quando si usa l'elettroutensile in condizioni estreme (ad esempio umidità elevata o quando si producono sfridi metallici, ecc.), la sicurezza elettrica può essere ulteriormente aumentata utilizzando un dispositivo a corrente residua (RCD) ad alta sensibilità (30 mA).

4. Tenere lontani gli astanti

Non lasciare che altre persone, e in modo particolare i bambini, non coinvolti nel lavoro da eseguire, tocchino l'elettroutensile o il filo di prolunga e tenerli lontani dalla zona da lavoro.

5. Riporre gli elettroutensili quando non sono usati

Quando non sono usati, gli elettroutensili devono essere conservati in un luogo asciutto e sotto chiave, fuori dalla portata dei bambini.

6. Non sovraccaricare l'elettroutensile

Utilizzando l'elettroutensile corretto si potrà lavorare meglio e con maggiore sicurezza alla potenza nominale prevista.

7. Usare l'elettroutensile idoneo

Non usare utensili di piccole dimensioni forzandoli per eseguire lavori che richiedono elettroutensili per impiego gravoso. Non usare gli elettroutensili per scopi non previsti; ad esempio non usare le seghe circolari per tagliare rami o ceppi.

8. Vestirsi adeguatamente

Non indossare indumenti larghi o gioielli che potrebbero rimanere impigliati nelle parti in movimento. Indossare una cuffia per tenere raccolti i capelli lunghi. Quando si lavora all'esterno, indossare preferibilmente guanti idonei e calzature antiscivolo.

9. Utilizzare un equipaggiamento di protezione

Indossare sempre occhiali di sicurezza. Usare una maschera antipolvere quando il lavoro eseguito produce polvere o particelle volanti. Se vi è la possibilità che tali particelle siano piuttosto calde, indossare anche un grembiule termoresistente. Indossare sempre delle otoprotezioni. Indossare sempre un casco di sicurezza.

10. Collegare l'attrezzatura di aspirazione della polvere

Se gli elettroutensili sono provvisti di attacchi per il collegamento di dispositivi di aspirazione o di raccolta della polvere, assicurarsi che questi siano installati e utilizzati correttamente.

11. Non esporre il filo di alimentazione a sollecitazioni

Non trasportare mai l'elettroutensile per mezzo del filo di alimentazione. Non tirare mai il filo di alimentazione per scollegare l'elettroutensile dalla presa. Tenere il filo di alimentazione lontano da calore, olio e bordi taglienti.

12. Fissare il pezzo

Usare morsetti o una morsa per fissare il pezzo da tagliare. Si tratta del metodo più sicuro e lascia libere le mani per azionare l'elettroutensile.

13. Non sbilanciarsi

Mantenere sempre un buon equilibrio evitando posizioni malsicure.

14. Eseguire la manutenzione degli elettroutensili con la massima cura

Mantenere affilati e puliti gli utensili da taglio per delle prestazioni migliori e più sicure. Seguire le istruzioni relative alla lubrificazione e alla sostituzione degli accessori. Ispezionare periodicamente i fili di alimentazione degli elettroutensili e farli riparare presso un centro di assistenza autorizzato se sono danneggiati. Ispezionare periodicamente i fili di prolunga e sostituirli se sono danneggiati. Mantenere le maniglie asciutte, pulite e prive di olio o grasso.

15. Scollegare l'elettrotensile

Spegner l'elettrotensile e aspettare che si fermi del tutto prima di lasciarlo incustodito. Scollegare l'elettrotensile dalla presa di prima di sostituire parti, accessori o lame e prima di eseguire la manutenzione.

16. Rimuovere le chiavi di regolazione

Controllare sempre che le chiavi di regolazione siano state rimosse dall'elettrotensile prima di usarlo.

17. Evitare l'avviamento involontario

Non trasportare l'elettrotensile con un dito sull'interruttore. Accertarsi che l'elettrotensile sia spento prima di collegarlo alla presa.

18. Usare fili di prolunga per esterni

Prima dell'impiego, ispezionare il cavo di prolunga e sostituirlo se è danneggiato. Quando si usa l'elettrotensile all'esterno, usare solo cavi di prolunga idonei a tale impiego e opportunamente contrassegnati.

19. Concentrarsi

Prestare attenzione a quello che si sta facendo, usare il buon senso e non utilizzare l'elettrotensile quando si è stanchi.

20. Controllare che non vi siano parti danneggiate

Prima dell'uso, controllare con attenzione che l'elettrotensile e il filo di alimentazione non siano danneggiati. Controllare che le parti in movimento non siano allineate male, inceppate o rotte, che protezioni e interruttori non siano danneggiati e che non sussistano altre condizioni che potrebbero compromettere il funzionamento. Accertarsi che l'elettrotensile funzioni correttamente ed esegua il proprio lavoro. **Non usare l'elettrotensile se alcune parti sono danneggiate o difettose.** Non utilizzare elettrotensili con interruttori difettosi. Far riparare o sostituire le parti danneggiate o difettose da un tecnico autorizzato Black and Decker. Non tentare mai di ripararlo da soli.

21. Attenzione!

Se questo elettrotensile viene usato con accessori o per usi diversi da quelli raccomandati nel presente manuale d'uso, si potrebbero verificare lesioni personali.

22. Fare riparare l'elettrotensile da personale specializzato

Il presente elettrotensile è conforme ai regolamenti di sicurezza in vigore. Fare riparare l'elettrotensile da un tecnico autorizzato Black and Decker. Le riparazioni devono essere affidate esclusivamente a personale qualificato ed eseguite solo con pezzi di ricambio originali, per evitare di esporre gli operatori a considerevoli rischi.

Ulteriori precauzioni di sicurezza per le seghe a quatabuono

- ◆ Indossare sempre dei normali guanti da lavoro quando si usa questo elettrotensile.
- ◆ Tenere le mani lontane dal disco da taglio. Non tagliare mai pezzi che richiedono l'intervento manuale a più di 15 cm dal disco da taglio in rotazione.
- ◆ Non tagliare pezzi di spessore inferiore a 1,2 mm quando si usa il disco da taglio fornito con questo elettrotensile.
- ◆ Non far funzionare questo elettrotensile senza aver montato le protezioni.
- ◆ Non eseguire nessuna operazione a mano libera. Usare sempre il morsetto per i materiali per serrare saldamente il pezzo.
- ◆ Non allungare mai le mani verso la parte posteriore del disco da taglio.
- ◆ Posizionare sempre l'elettrotensile su una superficie piana e stabile che sia ben ordinata e priva di materiali sciolti tipo trucioli e scarti.
- ◆ Prima dell'impiego, controllare che il disco da taglio non sia incrinato e non presenti difetti. Smaltire il disco da taglio se vi sono incrinature o difetti.
- ◆ Accertarsi che il disco da taglio non sia a contatto del pezzo prima dell'accensione dell'elettrotensile.
- ◆ Durante il funzionamento, evitare di far saltare il disco da taglio o di maltrattarlo. Se questo dovesse verificarsi, fermare l'elettrotensile e ispezionare il disco da taglio.
- ◆ Non far funzionare l'elettrotensile stando direttamente davanti al disco da taglio. Tenere gli astanti lontani dall'area di lavoro.
- ◆ Fare attenzione agli sfidri e al materiale che si sta tagliando dato che potrebbero essere affilati e caldi. Lasciare che gli scarti si raffreddino prima di maneggiarli.
- ◆ Il parascintille si riscalda durante l'impiego. Evitare di toccare o regolare il parascintille immediatamente dopo l'impiego.
- ◆ Spegner l'elettrotensile e attendere che il disco da taglio si fermi prima di spostare il pezzo o di modificare le impostazioni.
- ◆ Dopo lo spegnimento, non tentare mai di fermare il disco da taglio premendo contro il lato del disco.
- ◆ Non usare liquidi da taglio. Tali liquidi potrebbero incendiarsi o causare scosse elettriche.
- ◆ Controllare che il pezzo sia sorretto in modo idoneo.
- ◆ Usare solo i dischi da taglio consigliati dal fabbricante. Non usare mai lame per seghe circolari o qualsiasi altro tipo di lame dentate.
- ◆ La velocità massima consentita del disco da taglio deve sempre essere uguale o superiore alla velocità a vuoto dell'elettrotensile riportata sulla targhetta dati.
- ◆ Non usare dischi da taglio non conformi alle dimensioni riportate nei dati tecnici.

- ◆ Verificare che il disco da taglio sia stato montato correttamente prima dell'impiego.
- ◆ Lasciare che l'elettrotensile funzioni senza carico in una posizione sicura per almeno 30 secondi. Se vi sono delle vibrazioni notevoli oppure se si verificano altri difetti, spegnere l'elettrotensile e controllarlo per determinarne la causa.
- ◆ Non usare i dischi da taglio per la smerigliatura laterale.
- ◆ Non tagliare cemento, mattoni, piastrelle o materiali ceramici.
- ◆ Non tagliare legno, plastica o materiali sintetici.
- ◆ Non tagliare materiali in ghisa.
- ◆ Non tagliare mai materiali in magnesio.
- ◆ Non tagliare materiali sotto tensione.
- ◆ Usare questo elettrotensile in una zona ben ventilata. Non usare l'elettrotensile vicino a liquidi infiammabili, gas o polvere. Le scintille o gli sfridi caldi generati dal taglio o dalla formazione di arco delle spazzole del motore potrebbero incendiare i materiali combustibili.
- ◆ Liberare regolarmente le fessure di ventilazione quando si lavora in ambienti polverosi. Se dovesse essere necessario pulire le fessure, ricordare di scollegare prima l'elettrotensile dalla presa.
- ◆ Riporre sempre i dischi da taglio in modo ben protetto e in un luogo asciutto, fuori dalla portata dei bambini.
- ◆ **Avvertenza!** L'uso di questo elettrotensile può generare polvere contenente prodotti chimici riconosciuti come una delle cause del cancro, di difetti congeniti e di altre anomalie dell'apparato riproduttivo. Usare una maschera idonea.



Avvertenza! Usare solo una ruota della sega a quartabuono con uno spessore massimo di 3 mm e un diametro massimo di 355 mm.

Attenzione!

La ruota da taglio continuerà a ruotare anche dopo lo spegnimento dell'elettrotensile.

- ◆ Usare solo ruote rinforzate con velocità nominale di 4300 giri/min o superiore.
- ◆ Indossare sempre occhiali di sicurezza, usare le protezioni, serrare il pezzo in una morsa, utilizzare una maschera idonea.

I seguenti fattori influiscono sulla produzione di rumore:

- ◆ il materiale da tagliare
- ◆ il tipo di disco da taglio
- ◆ la forza di avanzamento
- ◆ **Avvertenza!** Adottare le misure idonee alla protezione dell'udito.

Rischi residui

I seguenti rischi sono inerenti all'impiego di queste macchine:

- ◆ lesioni causate dal contatto con le parti rotanti

- ◆ lesioni causate dall'interruzione del disco da taglio

Questi rischi sono più manifesti:

- ◆ nel raggio di funzionamento
- ◆ nel raggio delle parti rotanti della macchina

Malgrado l'adozione degli appositi regolamenti di sicurezza e anche utilizzando i dispositivi di sicurezza, certi rischi residui non possono essere evitati. Tali rischi sono elencati di seguito.

- ◆ Problemi di udito.
- ◆ Rischio di incidenti causati dalle parti non coperte del disco da taglio rotante.
- ◆ Rischio di lesioni durante la sostituzione del disco.
- ◆ Rischio di schiacciarsi le dita quando si aprono le protezioni.

Sicurezza elettrica



Il doppio isolamento di cui è provvisto l'elettrotensile rende superfluo il filo di terra. Controllare sempre che la tensione di rete corrisponda alla tensione indicata sulla targhetta dei dati tecnici. Non tentare mai di sostituire l'alimentatore con una normale spina elettrica.

- ◆ In caso di danneggiamento del filo di alimentazione, è necessario farlo riparare dal fabbricante o presso un centro assistenza Black & Decker autorizzato in modo da evitare eventuali pericoli.

Cadute di voltaggio

Le correnti di entrata causano cadute di voltaggio di breve durata. In condizioni sfavorevoli di alimentazione elettrica, altre attrezzature possono venir coinvolte.

Se il sistema d'impedenza della fonte di alimentazione è inferiore a 0.12 Ω, non è probabile che accadano perturbazioni.

Simboli di avviso

Sull'elettrotensile sono presenti i seguenti simboli:



Avvertenza! Per ridurre il rischio di infortuni, l'utente deve leggere il manuale d'uso.



Indossare sempre occhiali di protezione.



Indossare sempre otoprotezioni.

Caratteristiche

Questo elettrotensile presenta alcune o tutte le seguenti caratteristiche.

- Catena di bloccaggio
- Vite parascintille
- Parascintille
- Base

- E. Guida pezzo
- F. Morsa
- G. Chiave piatta
- H. Manovella
- I. Leva morsa
- J. Disco da taglio
- K. Protezione
- L. Blocco alberino
- M. Bullone arresto profondità e dado di bloccaggio
- N. Interruttore a grilletto
- O. Foro per lucchetto
- P. Bulloni guida pezzo

Montaggio

Avvertenza! Spegner e scollegare l'elettrotensile dalla presa prima di apportare regolazioni o di rimuovere o installare dischi o accessori. Verificare che l'interruttore a grilletto sia spento. Non apportare nessuna regolazione quando la ruota sta girando.

Smontaggio e montaggio di un disco da taglio (fig. 7 – FIG. 8)

- ◆ Premere il blocco dell'alberino (L).
- ◆ Ruotare il disco da taglio (J) fino a quando si blocca.
- ◆ Usando la chiave piatta (G), svitare il bullone (S) ruotandolo in senso antiorario e quindi svitare la rondella (T) e la flangia di ritenuta (U).
- ◆ Controllare che il distanziale (R) sia in sede contro la flangia.
- ◆ Sostituire il disco da taglio (J). Accertarsi che il nuovo disco sia posizionato sul distanziale (R) nella corretta direzione di rotazione.
- ◆ Fissare la lama con la flangia di ritenuta (U), la rondella (T) e il bullone (S).
- ◆ Premere il blocco dell'alberino (L).
- ◆ Ruotare il disco da taglio (J) fino a quando si blocca.
- ◆ Usando la chiave piatta (G), serrare il bullone (S) ruotandolo in senso orario.
- ◆ Abbassare di nuovo la protezione e rilasciare il blocco dell'alberino (L).
- ◆ Regolare la profondità di taglio come richiesto.

Regolazione della profondità di taglio (fig. 1)

La profondità di taglio può essere regolata per compensare l'usura del disco da taglio.

- ◆ Eseguire un taglio di prova con l'elettrotensile spento e controllare il gioco.
- ◆ Se è necessario apportare delle regolazioni, procedere come indicato di seguito.
- ◆ Allentare il controdado (M) di alcuni giri.
- ◆ Avvitare/svitare il bullone dell'arresto della profondità (M) per ottenere la profondità di taglio richiesta.

- ◆ Serrare il controdado (M).

Avvertenza: Regolare sempre l'arresto della profondità in base alla posizione originale quando si sostituisce il disco da taglio.

Serraggio del pezzo in sede (fig. 2 – fig. 4)

L'elettrotensile è dotato di morsa (F)

- ◆ Tirare la leva (I) verso l'impugnatura (H).
- ◆ Spingere la morsa (F) in avanti fino a quando la ganascia tocca quasi il pezzo.
- ◆ Premere la leva (I) verso la ganascia fino a quando si innesta nell'alberino del morsetto.
- ◆ Ruotare l'impugnatura (H) in senso orario e serrare saldamente il pezzo.
- ◆ Per rilasciare il pezzo, ruotare l'impugnatura (H) in senso antiorario.
- ◆ Per aumentare la capacità di taglio, posizionare un blocchetto distanziale sotto il pezzo. Il blocchetto distanziale dovrebbe essere leggermente più stretto del pezzo.

Avvertenza: Sorreggere i pezzi lunghi con uno spezzone di legno. Non serrare l'estremità da tagliare.

Funzione di corsa rapida (fig. 4)

Il morsetto dispone di funzione di corsa rapida.

- ◆ Per rilasciare il morsetto, ruotare l'impugnatura (H) di uno o due giri in senso antiorario e tirare la leva (I) verso l'impugnatura (H).

Impostazione della posizione di serraggio (fig. 5)

La posizione di serraggio può essere impostata in modo da abbinarsi al disco da taglio.

- ◆ Svitare i bulloni della guida pezzo (P) usando la chiave piatta (G).
- ◆ Spostare la guida pezzo (E) come richiesto.
- ◆ Riavvitare i bulloni della guida pezzo (P) e serrarli per bloccare la guida pezzo (E).

Regolazione dell'angolo di taglio (fig. 6)

L'elettrotensile può essere usato per tagli a quartabuono fino a 45°.

- ◆ Allentare i bulloni della guida pezzo (P) per rilasciare la guida pezzo (E).
- ◆ Regolare la guida pezzo (E) in base all'angolo richiesto. L'angolo può essere letto sulla scala (O).
- ◆ Serrare i bulloni della guida pezzo (P) per bloccare la guida pezzo (E).

Controllo e regolazione della scala di quartabuono (fig. 6)

- ◆ Allentare i bulloni della guida pezzo (P) per rilasciare la

guida pezzo (E).

- ◆ Abbassare il braccio e bloccarlo in questa posizione attaccando la catena di bloccaggio (A).
- ◆ Posizionare una squadra contro la guida pezzo (E) e il lato sinistro del disco da taglio creando un angolo perfetto di 90°. Controllare che il contrassegno di 0° sulla scala (Q) si allinei a quello sulla base (D).
- ◆ Serrare i bulloni della guida pezzo (P) per bloccare la guida pezzo (E).
- ◆ Rimuovere la catena di bloccaggio (A) e riportare il braccio nella posizione di riposo superiore.

Regolazione del parascintille (fig. 1)

- ◆ Allentare la vite (B).
- ◆ Regolare il parascintille (C) come richiesto.
- ◆ Serrare la vite (B).

Utilizzo

Avvertenza: Rispettare sempre le istruzioni di sicurezza e i regolamenti in vigore.

Avvertenza: Non esercitare una pressione eccessiva sull'elettrotensile.

Avvertenza: Evitare di sovraccaricare l'elettrotensile. Se l'elettrotensile dovesse diventare caldo, lasciarlo funzionare per alcuni minuti senza carico.

Capacità di taglio

L'ampia apertura della morsa e il punto di inclinazione alto consentono di tagliare molti pezzi di grandi dimensioni. Usare la tabella della capacità di taglio per determinare la misura massima totale dei tagli che possono essere eseguiti con una ruota nuova.

Attenzione: Determinati oggetti di grandi dimensioni, rotondi o di forma irregolare potrebbero richiedere ulteriori elementi di serraggio se non possono essere fissati saldamente nella morsa.

Attenzione: Non tagliare il magnesio con questo elettrotensile.

Capacità di taglio massima

Nota: La capacità indicata in tabella si basa su una ruota non usurata e su una posizione ottimale della guida pezzo.

Forma pezzo				
Angolo di taglio 90°	A = 4-7/8" (125 mm)	A = 4-1/2" (115 mm)	4-1/2" x 5-1/8" (115 mm x 130 mm) 4" x 7-5/8" (115 mm x 130 mm) 3" x 7-3/8" (115 mm x 130 mm)	A = 4-1/2" x 5-3/8" (115 mm x 137 mm)
Angolo di taglio 45°	A = 4-1/2" (115 mm)	A = 3-13/16" (98 mm)	4-1/2" x 3-13/16" 4-1/8" x 3-3/4" (105 mm x 95 mm)	A = 3-13/16" 3-3/4" (95 mm)

Prima dell'impiego:

- ◆ Montare il disco da taglio idoneo. Non usare dischi eccessivamente usurati. La velocità di rotazione massima dell'elettrotensile non deve superare quella del disco da taglio.
- ◆ Accertarsi che il disco ruoti nella direzione delle frecce sull'accessorio e sull'elettrotensile.
- ◆ Fissare il pezzo.
- ◆ Regolare sempre in modo corretto il parascintille.

Accensione e spegnimento (fig.1)

L'interruttore di accensione/spegnimento a grilletto(N) è montato sull'impugnatura di comando.

- ◆ Per far funzionare l'elettrotensile, premere l'interruttore di accensione a grilletto (N).
- ◆ Tenere premuto l'interruttore di accensione durante l'esecuzione del taglio.
- ◆ Per fermare l'elettrotensile, rilasciare l'interruttore a grilletto (N).

Avvertenza: Non accendere o spegnere l'elettrotensile quando è sotto carico.

Avvertenza: Per impedire l'utilizzo non autorizzato dell'elettrotensile, montare un lucchetto (non fornito) nell'apposito foro (O) situato nell'interruttore a grilletto.



Avvertenza! Non tagliare il magnesio.

Consultare il rivenditore per ulteriori informazioni sugli accessori idonei.

Esecuzione di un taglio (fig. 1)

- ◆ Posizionare il materiale da tagliare contro la guida pezzo(E) e fissarlo usando la morsa (F).
- ◆ Accendere l'elettrotensile e abbassare l'impugnatura per tagliare il pezzo. Lasciare che il motore raggiunga la massima velocità prima di eseguire il taglio.
- ◆ Lasciare che il disco tagli liberamente. Non forzarlo.
- ◆ Dopo aver completato il taglio, spegnere l'elettrotensile e riportare il braccio sulla posizione di riposo superiore.

Trasporto (fig. 1)

L'elettrotensile è dotato di catena di bloccaggio (A) che lo blocca in posizione chiusa per il trasporto.

Avvertenza: Accertarsi che l'elettrotensile sia spento e scollegato dall'alimentazione elettrica prima di trasportarlo.

- ◆ Abbassare la protezione (K) sulla base con tavolo di taglio (D) e fissare l'elettrotensile in questa posizione agganciando la catena al gancio nell'impugnatura.
- ◆ Trasportare l'elettrotensile usando le maniglie per il trasporto.
- ◆ Per rilasciare l'elettrotensile, premere leggermente l'impugnatura di comando e staccare la catena di bloccaggio (A).

Manutenzione

Questo apparecchio/elettrotensile Black & Decker con o senza filo è stato progettato per funzionare a lungo con una manutenzione minima. Per ottenere prestazioni sempre soddisfacenti occorre avere cura dell'apparecchio/elettrotensile e sottoporlo a pulizia periodica.

Avvertenza! Prima di eseguire qualsiasi intervento di manutenzione sull'apparecchio/elettrotensile con o senza filo, rispettare le istruzioni riportate di seguito.

- ◆ Spegnere ed estrarre la batteria dall'elettrotensile.
- ◆ Mantenere libere le fessure di ventilazione e pulire regolarmente l'alloggiamento con un panno morbido.
- ◆ Non usare detersivi abrasivi.

Ispezione e sostituzione delle spazzole del motore (fig. 9)

Avvertenza! Spegnere l'elettrotensile e scollegarlo dalla presa. Verificare che l'interruttore a grilletto sia spento. Ispezionare regolarmente le spazzole per controllare che non siano usurate. Per ispezionare le spazzole, toglierle il coperchio(W). Le spazzole (V) devono scorrere liberamente nella relativa scatola. Se le spazzole sono usurate fino a 8 mm (0,3") come illustrato in figura 9, sostituirle. Per rimontarle, premere la nuova spazzola nella relativa scatola. Se si sostituisce una spazzola esistente, mantenere l'orientamento originale che aveva al momento del distacco. Sostituire il coperchio delle spazzole (senza serrarlo eccessivamente).

Pulizia

Si consiglia di soffiare via polvere e impurità dall'alloggiamento principale usando un getto d'aria. Tale intervento può essere eseguito ogni volta che si vede un accumulo di polvere attorno e all'interno delle prese d'aria. Indossare sempre una maschera e occhiali idonei.

Riparazioni

Per garantire la SICUREZZA e l'AFFIDABILITÀ del prodotto, le riparazioni, la manutenzione e le regolazioni devono sempre essere eseguite da centri di assistenza autorizzati o da altre società di assistenza qualificate, usando in ogni caso ricambi identici.

Lubrificazione

Tutti i cuscinetti a sfere presenti sono di tipo sigillato, con grasso. Questi cuscinetti sono stati colmati in fabbrica con una quantità di grasso sufficiente per tutta la vita utile della sega a quartabuono.

Accessori

Attenzione! L'uso di accessori diversi da quelli raccomandati per impiego con questo elettrotensile potrebbe essere pericoloso. Usare solo ruote ad alta resistenza, tipo 1, con incollaggio organico e una velocità nominale di 4300 giri/min o superiore.

Gli accessori raccomandati

per impiego con questo elettrotensile sono disponibili con supplemento presso il rivenditore di zona o il centro di assistenza autorizzato.

Protezione dell'ambiente



♻️ Raccolta differenziata. Questo prodotto non deve essere smaltito con i normali rifiuti domestici.

Nel caso in cui l'elettrotensile Black & Decker debba essere sostituito o non sia più necessario, non smaltirlo con i normali rifiuti domestici. Metterlo da parte per la raccolta differenziata.



♻️ La raccolta differenziata dei prodotti e degli imballaggi utilizzati consente il riciclaggio dei materiali e il loro continuo utilizzo. Il riutilizzo dei materiali riciclati favorisce la protezione dell'ambiente prevenendo l'inquinamento e riduce il fabbisogno di materie prime.

Seguire la regolamentazione locale per la raccolta differenziata dei prodotti elettrici che può prevedere punti di raccolta o la consegna dell'elettrotensile al rivenditore presso il quale viene acquistato un nuovo prodotto.

Black & Decker offre ai propri clienti la possibilità di riciclare i prodotti Black & Decker che hanno esaurito la loro vita di servizio. Per usufruire di tale servizio, è sufficiente restituire il prodotto a qualsiasi tecnico autorizzato, incaricato della raccolta per conto dell'azienda.

Per individuare il tecnico autorizzato più vicino, rivolgersi alla sede Black & Decker locale, presso il recapito indicato nel presente manuale. Altrimenti, un elenco completo di tutti i tecnici autorizzati Black & Decker e i dettagli completi sui contatti e i servizi post-vendita sono disponibili su Internet all'indirizzo: www.2helpU.com

Dichiarazione di conformità CE

DIRETTIVA SUI MACCHINARI



CS355

Black & Decker dichiara che questi prodotti descritti al paragrafo "Dati tecnici" sono conformi a:

2006/42/CE, EN61029-1, EN61029-2-10

Per ulteriori informazioni, rivolgersi a Black & Decker al seguente indirizzo oppure consultare l'ultima di copertina del manuale.

Il sottoscritto è responsabile della redazione di questo documento tecnico e rilascia questa dichiarazione per conto di Black&Decker.

Kevin Hewitt
Vice-President Global Engineering
Black & Decker Europe, 210 Bath Road, Slough,
Berkshire, SL1 3YD
Regno Unito
27/05/2010

Dati tecnici

		CS355 (Tipo)
Tensione	V _{ac}	230
Potenza assorbita	W	2.300
Regime a vuoto	min ⁻¹	3.800
Velocità periferica min. disco da taglio	m/s	80
Diametro della lama	mm	355
Alesaggio della lama	mm	25.4
Larghezza della lama	mm	3
Tipo di disco da taglio	Diritto, non incassato	
Capacità di taglio trasversale a 90°		
Circolare	mm	125
Quadrato	mm	115
Rettangolare	mm	115 x 130
Angolare	mm	137 x 137
Capacità di taglio trasversale a 45°		
Circolare	mm	115
Quadrato	mm	98 x 98
Rettangolare	mm	105 x 95
Angolare	mm	95 x 95
Peso	kg	18

		CS355 (Tipo 1)
LpA (pressione sonora)	dB(A)	93,1
Incertezza (K)	dB(A)	3
LWA (potenza acustica)	dB(A)	105,3
Incertezza (K)	dB(A)	3
Vibrazioni A/h	m/s ²	6,46
Incertezza (K)	m/s ²	1,5

Garanzia

Certa della qualità dei suoi prodotti, Black & Decker offre una garanzia eccezionale. Il presente certificato di garanzia è complementare ai diritti legali e non li pregiudica in alcun modo. La garanzia è valida entro il territorio degli Stati membri dell'Unione Europea e dell'EFTA (European Free Trade Area).

Se un prodotto Black & Decker risulta difettoso per qualità del materiale, della costruzione o per mancata conformità entro 24 mesi dalla data di acquisto, Black & Decker garantisce la sostituzione delle parti difettose, provvede alla riparazione dei prodotti se ragionevolmente usurati oppure alla loro sostituzione, in modo da ridurre al minimo il disagio del cliente a meno che:

- ◆ il prodotto non sia stato destinato a usi commerciali, professionali o al noleggio;
- ◆ il prodotto non sia stato usato in modo improprio o scorretto;
- ◆ il prodotto non abbia subito danni causati da oggetti o sostanze estranee oppure incidenti;
- ◆ il prodotto non abbia subito tentativi di riparazione non effettuati da tecnici autorizzati né dall'assistenza Black & Decker.

Per attivare la garanzia è necessario esibire la prova di acquisto al venditore o al tecnico autorizzato. Per individuare il tecnico autorizzato più vicino, rivolgersi alla sede Black & Decker locale, presso il recapito indicato nel presente manuale. Altrimenti, un elenco completo di tutti i tecnici autorizzati Black & Decker e i dettagli completi sui contatti e i servizi post-vendita sono disponibili su Internet all'indirizzo: www.2helpU.com

I clienti che desiderano registrare il nuovo prodotto Black & Decker e ricevere gli aggiornamenti sui nuovi prodotti e le offerte speciali, sono invitati a visitare il sito Web (www.blackanddecker.it). Ulteriori informazioni sul marchio e la gamma di prodotti Black & Decker sono disponibili all'indirizzo www.blackanddecker.it.

Beoogd gebruik

Uw Black & Decker afkortaag is ontworpen voor het afkorten en op maat zagen van metalen materialen met diverse vormen. Het product is uitsluitend bestemd voor consumentengebruik.

Veiligheidsinstructies

Algemene veiligheidswaarschuwingen voor elektrisch gereedschap



Waarschuwing! Als u werkt met elektrisch gereedschap, is het belangrijk dat u zich altijd houdt aan de geldende veiligheidsvoorschriften om het gevaar voor brand, een elektrische schok en lichamelijk letsel tot een minimum te beperken.

- ◆ Lees deze handleiding zorgvuldig door voordat u het apparaat in gebruik neemt.
- ◆ In deze handleiding wordt ingegaan op het beoogde gebruik. Het gebruik van andere accessoires of hulpstukken dan wel de uitvoering van andere handelingen dan in deze gebruikershandleiding worden aanbevolen, kan tot persoonlijk letsel leiden.
- ◆ Bewaar deze handleiding zorgvuldig zodat u deze altijd nog eens kunt raadplegen.

1. Houd uw werkomgeving schoon en opgeruimd

Een rommelige werkomgeving kan ongelukken veroorzaken.

2. Houd rekening met de gebruiksomstandigheden

Stel het gereedschap niet bloot aan regen. Gebruik het gereedschap niet in vochtige of natte omstandigheden. Zorg ervoor dat de werkomgeving goed verlicht is (250 - 300 Lux). Gebruik het gereedschap niet in een omgeving waar sprake is van brand- of explosiegevaar, zoals in de buurt van brandbare vloeistoffen en gassen.

3. Bescherm uzelf tegen elektrische schokken

Voorkom contact van het lichaam met geaarde oppervlakken, zoals leidingen, radiators, fornuizen en koelkasten. Als u het gereedschap gebruikt in extreme omstandigheden (bijvoorbeeld als er sprake is van een hoge luchtvochtigheid of als er metaalkrullen ontstaan), Met een zeer gevoelige reststroomschakelaar (een RCD van 30 mA) wordt het risico van een elektrische schok verkleind.

4. Houd andere personen uit de buurt

Zorg ervoor dat andere personen, met name kinderen, die niet betrokken zijn bij de werkzaamheden, het gereedschap of het netsnoer niet aanraken en houd ze uit de buurt van het werkgebied.

5. Berg gereedschap goed op

Bewaar gereedschappen na gebruik op een droge, afgesloten plaats, buiten het bereik van kinderen.

6. Overbelast het gereedschap niet

Het gereedschap werkt beter en veiliger als u het binnen het aangegeven capaciteitsbereik gebruikt.

7. Gebruik het juiste gereedschap

Gebruik geen lichte gereedschappen voor werkzaamheden die gereedschap vereisen dat is bedoeld voor zwaar gebruik. Gebruik gereedschap niet voor andere doeleinden dan waarvoor het bestemd is. Het apparaat mag bijvoorbeeld niet worden gebruikt voor het snoeien van bomen.

8. Draag geschikte kleding

Draag geen loshangende kleding of sieraden, aangezien deze verstrikt kunnen raken in bewegende delen. Zorg ervoor dat lang haar niet tussen de bewegende delen kan komen door een pet of iets dergelijks te dragen of uw haar op te steken. Als u het apparaat buiten gebruikt, is het raadzaam geschikte handschoenen en antislipschoeisel te dragen.

9. Draag beschermende kleding

Draag altijd een veiligheidsbril. Gebruik een gezichts- of stofmasker als de werkzaamheden stof of rondvliegende snippers tot gevolg hebben. Draag ook een hittebestendige schort als deze snippers erg heet kunnen zijn. Draag altijd oorbescherming. Draag altijd een veiligheidshelm.

10. Gebruik een apparaat voor stofafzuiging

Wanneer stofafzuigings- of stofopvangvoorzieningen kunnen worden gemonteerd, moeten deze worden aangesloten en op de juiste manier worden gebruikt.

11. Gebruik het snoer niet voor een verkeerd doel

Draag het gereedschap nooit aan het snoer. Trek de stekker nooit aan het netsnoer uit het stopcontact. Houd het snoer uit de buurt van warmtebronnen, olie en scherpe randen.

12. Zet het werkstuk vast

Zet het werkstuk met klemmen of een bankschroef vast. Dit is veiliger en u kunt het gereedschap met beide handen bedienen.

13. Reik niet te ver

Zorg er altijd voor dat u stevig staat en in evenwicht blijft.

14. Onderhoud gereedschappen met zorg

Houd snijdende inzetgereedschappen scherp en schoon voor betere en veiligere prestaties. Volg de instructies voor het smeren en het vervangen van accessoires. Controleer het netsnoer van gereedschap regelmatig. Als er sprake is van beschadiging, moet u het netsnoer laten repareren door een gekwalificeerd elektricien. Controleer verlengsnoeren regelmatig op beschadiging en gebruik een ander snoer als u

tekenen van beschadiging constateert. Houd de handvatten droog, schoon en vrij van olie en vet.

15. Haal de stekker uit het stopcontact

Schakel het gereedschap uit en wacht tot het blad volledig tot stilstand is gekomen voordat u het gereedschap onbeheerd achterlaat. Haal de stekker van het gereedschap uit het stopcontact wanneer u het apparaat niet gebruikt, als u onderdelen, accessoires of hulpstukken gaat vervangen, of als u onderhoud wilt plegen.

16. Verwijder instelgereedschappen en steeksleutels

Controleer altijd of eerder gebruikte instelgereedschappen en steeksleutels zijn verwijderd van het gereedschap voordat u het gereedschap gaat gebruiken.

17. Voorkom per ongeluk inschakelen

Draag het gereedschap niet met een vinger op de schakelaar. Zorg ervoor dat de machine is uitgeschakeld wanneer u de stekker in het stopcontact steekt.

18. Gebruik een verlengsnoer dat geschikt is voor buitengebruik

Controleer het verlengsnoer vóór gebruik op beschadiging en gebruik een ander snoer als u tekenen van beschadiging constateert. Als u het gereedschap buiten gebruikt, mag u alleen een verlengsnoer gebruiken dat geschikt is voor buitengebruik en dat ook als zodanig is gemarkeerd.

19. Blijf alert

Let goed op wat u doet. ga met verstand te werk en gebruik het gereedschap niet als u moe bent.

20. Controleer of er onderdelen beschadigd zijn

Controleer het gereedschap en het netsnoer vóór gebruik zorgvuldig op beschadiging. Controleer of bewegende delen correct functioneren en niet vastklemmen, of onderdelen gebroken zijn, of beschermplaten en schakelaars zijn beschadigd en controleer of er andere omstandigheden zijn waardoor de werking van de machine nadelig wordt beïnvloed. Zorg ervoor dat het apparaat op de juiste wijze werkt en functioneert waarvoor het bestemd is. Gebruik het apparaat niet als een onderdeel beschadigd of defect is. Gebruik het apparaat niet wanneer u het apparaat niet met de schakelaar kunt aan- en uitzetten. Laat beschadigde of defecte onderdelen vervangen door een van onze servicecentra. Voer nooit zelf reparaties uit.

21. Waarschuwing!

Het gebruik van andere accessoires of hulpstukken dan wel de uitvoering van andere handelingen dan in deze gebruikershandleiding worden aanbevolen, kan tot persoonlijk letsel leiden.

22. Laat het gereedschap repareren door een gekwalificeerd elektricien

Dit gereedschap voldoet aan de geldende veiligheidsvoorschriften. Het apparaat mag uitsluitend worden gerepareerd door een erkend servicecentrum van Black and Decker. Reparaties mogen uitsluitend worden uitgevoerd door bevoegde vakmensen en met behulp van originele reserveonderdelen. Niet-naleving van deze regel kan aanzienlijk gevaaren voor de gebruiker opleveren.

Aanvullende veiligheidsinstructies voor afkortzagen

- ◆ Draag altijd werkhandschoenen wanneer u dit gereedschap gaat gebruiken.
- ◆ Blijf met uw handen uit de buurt van het zaagblad. Gebruik het gereedschap niet met werkstukken waarbij uw hand zich minder dan 15 cm van het ronddraaiende zaagblad bevindt.
- ◆ Gebruik het gereedschap niet voor werkstukken die dunner zijn dan 1,2 mm als het bijgeleverde zaagblad is gemonteerd.
- ◆ Gebruik dit apparaat niet zonder de beschermkappen.
- ◆ Gebruik het gereedschap niet uit de losse hand. Gebruik de materiaalklem om het werkstuk stevig vast te klemmen.
- ◆ Steek uw hand nooit voorbij het zaagblad.
- ◆ Plaats het gereedschap altijd op een vlakke, stabiele ondergrond die goed onderhouden is en vrij is van losse materialen, zoals metaalkrullen en andere werkstukken.
- ◆ Controleer het zaagblad op scheuren of andere tekenen van beschadiging voordat u het gereedschap gaat gebruiken. Vervang het zaagblad als u tekenen van beschadiging ziet.
- ◆ Controleer voordat u het gereedschap inschakelt of het zaagblad vrij kan draaien (het werkstuk niet raakt).
- ◆ Voorkom dat het zaagblad bij gebruik gaat 'springen'. Behandel het zaagblad met zorg. Als dit toch gebeurt, schakelt u het gereedschap uit en controleert u het zaagblad.
- ◆ Gebruik het gereedschap niet terwijl u in het verlengde van het zaagblad staat. Laat geen andere personen in de buurt van het gereedschap komen.
- ◆ Let goed op rondvliegende metaaldeeltjes en het materiaal dat u bewerkt. Deze kunnen namelijk scherp en heet zijn. Laat verwijderd materiaal afkoelen voordat u het vastpakt.
- ◆ De vonkendeflector wordt heet tijdens het gebruik. Raak de deflector daarom niet aan direct na het gebruik.
- ◆ Zet het gereedschap uit en wacht tot het zaagblad stilstaat voordat u het werkstuk verplaatst of de instellingen wijzigt.
- ◆ Als u het gereedschap hebt uitgeschakeld, mag u het zaagblad niet tot stilstand brengen door tegen de zijkant van het blad te drukken.

- ◆ Maak geen gebruik van zaagolie. Deze kan namelijk ontbranden of een elektrische schok veroorzaken.
- ◆ Controleer of het werkstuk goed wordt ondersteund.
- ◆ Gebruik alleen de zaagbladen die worden aanbevolen door de fabrikant. Gebruik nooit bladen voor een cirkelzaag of andere bladen met tanden.
- ◆ Het maximaal toegestane toerental van het zaagblad moet altijd gelijk zijn aan of hoger dan het onbelaste toerental dat wordt vermeld op het typeplaatje.
- ◆ Gebruik geen zaagbladen die niet overeenkomen met de afmetingen die worden vermeld in de technische gegevens.
- ◆ Controleer vóór gebruik of het zaagblad goed is gemonteerd.
- ◆ Laat het gereedschap gedurende minimaal 30 seconden onbelast draaien in een veilige stand. Als het zaagblad erg trilt of u iets anders opvalt, zet u het gereedschap uit en kijkt u wat er aan de hand is.
- ◆ Gebruik het gereedschap niet voor het schuren van de zijkant van materiaal.
- ◆ Gebruik het gereedschap niet met beton, stenen, tegels of keramische materialen.
- ◆ Gebruik het gereedschap niet met hout, kunststof of synthetische materialen.
- ◆ Gebruik het apparaat niet met gietijzer.
- ◆ Gebruik het apparaat niet met materiaal dat magnesium bevat.
- ◆ Gebruik het apparaat niet voor het doorsnijden van stroomvoerende snoeren of leidingen.
- ◆ Gebruik dit gereedschap in een goed geventileerde ruimte. Gebruik het gereedschap niet in de buurt van ontvlambare vloeistoffen, gassen of stof. Vonken, hete spaanders of de motor van het apparaat kunnen tot gevolg hebben dat brandbare materialen tot ontbranding komen.
- ◆ Maak regelmatig de ventilatieopeningen schoon als u werkt in stoffige omstandigheden. Als u de ventilatieopeningen wilt gaan schoonmaken, haal dan eerst de stekker van het apparaat uit het stopcontact.
- ◆ Bewaar zaagbladen altijd in de verpakking en op een droge plaats, buiten het bereik van kinderen.
- ◆ **Waarschuwing!** Als u werkt met dit gereedschap, kan er stof worden geproduceerd dat chemicaliën bevat waarvan bekend is dat deze kanker, aangeboren afwijkingen of andere genetische afwijkingen kunnen veroorzaken. U moet dan ook geschikte ademhalingsbescherming gebruiken.



Waarschuwing! Gebruik uitsluitend zaagbladen met een maximale dikte van 3 mm en een maximale diameter van 355 mm.

Waarschuwing!

Het zaagblad blijft nog even draaien nadat u het gereedschap hebt uitgeschakeld.

- ◆ Gebruik uitsluitend verstevigde bladen met een minimaal toerental van 4300 omw./minuut.
- ◆ Draag altijd oogbescherming, gebruik de beschermkappen, plaats het werkstuk in een bankschroef en gebruik de juiste ademhalingsbescherming.

De volgende factoren spelen een rol bij het geluidsniveau van het apparaat:

- ◆ het materiaal dat u bewerkt
- ◆ het type zaagblad
- ◆ de aanzetkracht
- ◆ **Waarschuwing!** Het is raadzaam om adequate maatregelen te nemen om uw gehoor te beschermen.

Overige risico's

De volgende risico's zijn inherent aan het werken met deze apparaten:

- ◆ verwondingen die worden veroorzaakt door het aanraken van draaiende onderdelen
- ◆ verwondingen door verstoring van het zaagblad

Deze risico's zijn met name hier duidelijk aanwezig:

- ◆ binnen het werkgebied van het gereedschap
- ◆ in het bereik van de draaiende onderdelen van het gereedschap

Zelfs als de veiligheidsvoorschriften in acht worden genomen en de veiligheidsvoorzieningen worden gebruikt, kunnen bepaalde risico's niet worden uitgesloten. Dit zijn:

- ◆ Gehoorbeschadiging.
- ◆ Ongelukken veroorzaakt door de niet-afgeschermden delen van het ronddraaiende zaagblad.
- ◆ Lichamelijk letsel bij het vervangen van het zaagblad.
- ◆ Afnellen van de vingers bij het openen van de beschermkappen.

Elektrische veiligheid



Het gereedschap is dubbel geïsoleerd. Een aardaansluiting is daarom niet noodzakelijk. Controleer altijd of de netspanning overeenkomt met de waarde op het typeplaatje. Probeer de lader nooit te vervangen door een normale netstekker.

- ◆ Als het netsnoer is beschadigd, moet dit worden vervangen door de fabrikant of een Black & Decker-servicecentrum om gevaren te voorkomen.

Spanningsvallen

Inschakelprocessen veroorzaken kortstondige spanningsvallen. Onder ongunstige omstandigheden in de stroomvoorziening kunnen andere apparaten nadelig worden beïnvloed.

Indien de impedantie van de stroomvoorziening lager is dan 0.12 Ω, is de kans op een storing nagenoeg uitgesloten.

Waarschuwingssymbolen

Het gereedschap is voorzien van de volgende symbolen:



Waarschuwing! De gebruiker moet de instructiehandleiding lezen om het risico op letsel te verminderen.



Draag altijd een veiligheidsbril.



Draag altijd gehoorbescherming.

Onderdelen

Dit gereedschap kan de volgende onderdelen bevatten:

- A. Borgketting
- B. Schroef vonkendeflector
- C. Vonkendeflector
- D. Voet
- E. Geleider
- F. Bankschroef
- G. Steeksleutel
- H. Handgreep
- I. Hendel bankschroef
- J. Zaagblad
- K. Beschermkap
- L. Spilvergrendeling
- M. Bout en borgmoer diepteregelaar
- N. Aan/uit-schakelaar
- O. Opening voor hangslot
- P. Geleiderbouten

Montage

Waarschuwing! Zet het gereedschap uit en haal de stekker uit het stopcontact voordat u aanpassingen gaat doorvoeren of hulpstukken of accessoires gaat installeren. Zorg ervoor dat de aan/uit-schakelaar in de stand OFF staat. Voer geen aanpassingen uit als het zaagblad draait.

Een zaagblad plaatsen en verwijderen (fig. 7 – fig. 8)

- ◆ Druk de spilvergrendeling (L) in.
- ◆ Draai het zaagblad (J) totdat dit vastklikt.
- ◆ Gebruik de steeksleutel (G) om de bout (S) linksom los te draaien en verwijder de borgring (T) en de opsluitring (U).
- ◆ Controleer of de pasring (R) tegen de opsluitring zit.
- ◆ Vervang het zaagblad (J). Zorg ervoor dat u het nieuwe zaagblad in de juiste draairichting op de pasring (R) plaatst.
- ◆ Zet het zaagblad vast met de opsluitring (U), de borgring (T) en de bout (S).
- ◆ Druk de spilvergrendeling (L) in.

- ◆ Draai het zaagblad (J) totdat dit vastklikt.
- ◆ Gebruik de steeksleutel (G) om de bout (S) rechtsom vast te draaien.
- ◆ Duw de beschermkap omlaag en ontgrendel de spilvergrendeling (L).
- ◆ Pas indien nodig de zaagdiepte aan.

De zaagdiepte instellen (fig. 1)

U kunt de zaagdiepte aanpassen aan de slijtage van het zaagblad.

- ◆ Draai het zaagblad met de hand rond terwijl het apparaat is uitgeschakeld en controleer de speling.
- ◆ Ga als volgt te werk als het blad moet worden afgesteld:
- ◆ Draai de borgmoer (M) een paar slagen los.
- ◆ Draai de bout van de diepteregelaar (M) linksom of rechtsom om de gewenste zaagdiepte in te stellen.
- ◆ Draai de borgmoer (M) vast.

Waarschuwing: zet de diepteregelaar altijd in de uitgangspositie wanneer u het zaagblad gaat vervangen.

Het werkstuk vastklemmen (fig. 2 – fig. 4)

Het gereedschap is uitgerust met een bankschroef (F).

- ◆ Duw de hendel (I) in de richting van de handgreep (H).
- ◆ Duw de bankschroef (F) naar voren totdat de wang bijna het werkstuk raakt.
- ◆ Duw de hendel (I) in de richting van de wang totdat deze ingrijpt op de klemas.
- ◆ Draai de handgreep (H) rechtsom en klem het werkstuk stevig vast.
- ◆ Draai de handgreep (H) linksom om het werkstuk te verwijderen.
- ◆ U kunt de zaagcapaciteit vergroten door een blok hout onder het werkstuk te leggen. Het blok moet iets smaller zijn dan het werkstuk.

Waarschuwing: gebruik altijd een stuk hout onder lange werkstukken. Het einde dat u wilt inkorten, mag u niet vastklemmen.

Snelle instelfunctie (fig. 4)

De klem kunt u zeer snel instellen.

- ◆ Als u het werkstuk wilt verwijderen, draait u de handgreep (H) één of twee slagen linksom en duwt u de hendel (I) in de richting van de handgreep (H).

De klempositie instellen (fig. 5)

U kunt de klempositie aanpassen aan het zaagblad.

- ◆ Gebruik de steeksleutel (G) om de bouten (P) van de geleider los te draaien.
- ◆ Zet de geleider (E) op de gewenste positie.
- ◆ Plaats de bouten (P) terug en draai ze vast om de geleider te borgen (E).

De zaaghoek instellen (fig. 6)

U kunt het gereedschap gebruiken voor verstekzagen tot onder een hoek van maximaal 45°.

- ◆ Draai de bouten van de geleider (P) los om de geleider (E) af te stellen.
- ◆ Zet de geleider (E) in de gewenste hoek. De hoek wordt aangegeven op de schaal (Q).
- ◆ Draai de bouten (P) van de geleider vast om de geleider (E) te borgen.

De schaal voor verstekzagen controleren en afstellen (fig. 6)

- ◆ Draai de bouten (P) van de geleider los om de geleider (E) af te stellen.
- ◆ Duw de arm naar beneden en borg de arm in deze positie door de borgketting (A) te bevestigen.
- ◆ Leg een tekenhaak tegen de geleider (E) en de linkerzijde van het zaagblad om zo een perfecte hoek van 90° te vormen. Controleer of de aanduiding 0° op de schaal (Q) precies tegenover het merkteken op de voet (D) van het gereedschap staat.
- ◆ Draai de bouten (P) van de geleider vast om de geleider (E) te borgen.
- ◆ Verwijder de borgketting (A) en zet de arm weer omhoog in de uitgangspositie.

De vonkedeflector afstellen (fig. 1)

- ◆ Draai de schroef (B) los.
- ◆ Bepaal de stand van de deflector (C).
- ◆ Zet de schroef (B) vast.

Gebruik van het gereedschap

Waarschuwing: houd u altijd aan de veiligheidsinstructies en geldende voorschriften.

Waarschuwing: oefen niet te veel druk uit op het gereedschap.

Waarschuwing: voorkom overbelasting. Als het gereedschap heet wordt, laat het dan een paar minuten onbelast draaien.

Zaagcapaciteit

De grote opening van de bankschroef en het hoge scharnierpunt zorgen ervoor dat u het gereedschap ook kunt gebruiken voor grote werkstukken. Aan de hand van de onderstaande tabel kunt u vaststellen wat de totale maximumgrootte is van zaagsneden die u kunt maken met een nieuw zaagblad.

Let op: bij bepaalde grote, cirkelvormige werkstukken of werkstukken met een onregelmatige vorm, moet u mogelijk aanvullende methoden gebruiken als het werkstuk niet stevig in de bankschroef kan worden vastgezet.

Let op: gebruik het apparaat niet met materiaal dat magnesium bevat.

Maximale zaagcapaciteit

Opmerking: de capaciteit in de tabel geldt voor een zaagblad zonder slijtage en een optimale positie van de geleider.

Vorm van werkstuk				
Zaaghoek van 90°	A = 125 mm	A = 115 mm	115 mm x 130 mm 115 mm x 130 mm 115 mm x 130 mm	A = 115 mm x 137 mm
Zaaghoek van 45°	A = 115 mm	A = 98 mm	105 mm x 95 mm	A = 95 mm

Vorbereiding:

- ◆ Plaats het juiste zaagblad. Gebruik geen zaagbladen die erg versleten zijn. De maximale draaisnelheid van het gereedschap mag niet hoger zijn dan die van het zaagblad.
- ◆ Zorg ervoor dat het blad draait in de richting van de pijlen op het hulpstuk en het gereedschap.
- ◆ Zet het werkstuk vast.
- ◆ Stel de vonkedeflector goed af.

Aan- en uitzetten (fig.1)

De aan/uit-schakelaar (N) is geïntegreerd in de handgreep.

- ◆ Druk op de aan/uit-schakelaar (N) om het gereedschap aan te zetten.
- ◆ Houd de aan/uit-schakelaar ingedrukt om het zaagblad te laten draaien.
- ◆ Laat de schakelaar (N) los om het gereedschap uit te zetten.

Waarschuwing: zet het gereedschap niet uit of aan terwijl het zaagblad contact maakt met het werkstuk.

Waarschuwing: u voorkomt ongeoorloofd gebruik van het gereedschap door een hangslotje (niet bijgeleverd) door de opening (O) in de schakelaar te schuiven.



Waarschuwing! gebruik het apparaat niet met materiaal dat magnesium bevat.

Raadpleeg uw dealer voor verdere informatie over de juiste accessoires.

Een zaagsnede maken (fig. 1)

- ◆ Leg het materiaal dat u wilt inkorten tegen de geleider (E) en zet het vast met de bankschroef (F).
- ◆ Zet het gereedschap aan en duw de handgreep omlaag om het werkstuk te bewerken. Doe dit pas als de motor op volle snelheid draait.

- ◆ Laat het gereedschap het werk doen. Oefen geen druk uit op het zaagblad.
- ◆ Als u klaar bent, schakelt u het gereedschap uit en zet u de arm weer omhoog in de uitgangspositie.

Het gereedschap verplaatsen (fig. 1)

Het gereedschap is uitgerust met een borgketting (A) waarmee het gereedschap in gesloten stand kan worden geborgd om het te verplaatsen.

Waarschuwing: u mag het gereedschap alleen verplaatsen als het apparaat is uitgeschakeld en de stekker uit het stopcontact is gehaald.

- ◆ Laat de beschermkap (K) op de voet (D) rusten en borg het gereedschap in deze stand door de ketting te bevestigen aan de haak in de handgreep.
- ◆ Verplaats het gereedschap door het aan de draaggrepen vast te houden.
- ◆ U kunt het gereedschap ontgrendelen door de handgreep iets in te drukken en de ketting (A) van de haak te verwijderen.

Onderhoud

Uw Black & Decker-gereedschap/-apparaat (met netsnoer/snoerloos) is ontworpen om gedurende langere tijd te functioneren met een minimum aan onderhoud. U kunt het gereedschap/apparaat naar volle tevredenheid blijven gebruiken als u voor correct onderhoud zorgt en het gereedschap/apparaat regelmatig schoonmaakt.

Waarschuwing! Doe altijd het volgende voordat u onderhouds- of reinigingswerkzaamheden aan het gereedschap/apparaat (met snoer/snoerloos) uitvoert:

- ◆ Schakel het apparaat uit en verwijder de batterij uit het apparaat.
- ◆ Zorg ervoor dat de ventilatieopeningen niet verstopt raken en reinig de behuizing regelmatig met een zachte doek.
- ◆ Gebruik geen schuurmiddelen.

Motorborstels inspecteren en vervangen (fig. 9)

Waarschuwing! Schakel het gereedschap uit en trek de stekker uit het stopcontact. Zorg ervoor dat de aan/uit-schakelaar in de stand OFF staat.

Controleer de borstels regelmatig op slijtage. Hiervoor verwijdert u de afdekking van de borstels (W). De borstels (V) moeten vrij in de borstelhouder heen en weer schuiven. Als de borstels zijn afgesleten tot 8 mm (zie figuur 9), moeten ze worden vervangen.

U kunt een nieuwe borstel installeren door deze in de houder te duwen. Als u een bestaande borstel vervangt, moet u de nieuwe borstel in dezelfde richting plaatsen als de verwijderde borstel. Plaats de afdekking terug (niet te strak aandraaien).

Reinigen

Het wordt aanbevolen om met behulp van perslucht stof en vuil uit de behuizing te blazen. Doe dit wanneer u ziet dat er zich vuil ophoopt in en rond de ventilatieopeningen. Draag hierbij altijd geschikte oog- en ademhalingsbescherming.

Reparaties

De VEILIGHEID en BETROUWBAARHEID van het product kunnen alleen worden gegarandeerd als reparaties, onderhoud en afstellingen worden uitgevoerd door **geautoriseerde servicecentra of andere gekwalificeerde serviceorganisaties**, altijd met gebruikmaking van identieke vervangende onderdelen.

Smering

In het gereedschap worden uitsluitend gesloten kogellagers met smeerolieafichting gebruikt. Deze lagers zijn bij de productie voorzien van voldoende smeermiddel om de gemiddelde levensduur van een afkortzaag mee te gaan.

Accessoires

Let op! Als u accessoires gebruikt die niet worden aanbevolen voor dit gereedschap, kan dat gevaar opleveren.

Gebruik uitsluitend organisch gebonden type 1 zaagbladen van hoge vastheid met een toerental van minimaal 4300 omw./minuut.

Goedgekeurde accessoires voor gebruik met het gereedschap zijn te koop bij uw plaatselijke dealer of een geautoriseerd servicecentrum.

Milieue



Aparte inzameling. Dit product mag niet met normaal huishoudelijk afval worden weggegooid.

Mocht u op een dag constateren dat het Black & Decker-product aan vervanging toe is of dat u het apparaat niet meer nodig hebt, gooi het product dan niet bij het restafval. Het product valt onder de categorie voor elektrische apparaten.



Gescheiden inzameling van gebruikte producten en verpakkingsmaterialen maakt het mogelijk materialen te recycleren en opnieuw te gebruiken. Hergebruik van gerecycleerde materialen zorgt voor minder milieuvulling en dringt de vraag naar grondstoffen terug.

Plaatselijke verordeningen kunnen voorzien in gescheiden inzameling van huishoudelijke elektrische producten via gemeentelijke stortplaatsen of via de leverancier bij wie u een nieuw product aanschaft.

Black & Decker biedt de mogelijkheid tot het recyclen van afgedankte Black & Decker-producten. Om gebruik te maken van deze service, dient u het product naar een van onze servicecentra te sturen, die de inzameling voor ons verzorgen.

U kunt het adres van het dichtstbijzijnde servicecentrum opvragen via de adressen op de achterzijde van deze handleiding. U kunt ook een lijst van onze servicecentra en meer informatie m.b.t. onze klantenservice vinden op het volgende internetadres: www.2helpU.com

Technische gegevens

		CS355 (Type1)
Spanning	V_{ac}	230
Opgenomen vermogen	W	2,300
Onbelaste snelheid	min^{-1}	3,800
Min. omtreksnelheid zaagblad	m/s	80
Zaagbladdiameter	mm	355
Asgat	mm	25.4
Breedte van de zaagbladpunten	mm	3
Type zaagblad	Recht, niet-verzonken	
Kortzaagcapaciteit bij 90°		
Rond	mm	125
Haaks	mm	115
Rechte hoek	mm	115 x 130
Hoek	mm	137 x 137
Kortzaagcapaciteit bij 45°		
Rond	mm	115
Haaks	mm	98 x 98
Rechte hoek	mm	105 x 95
Hoek	mm	95 x 95
Gewicht	kg	18

		CS355 (type 1)
LpA (geluidsdruk)	dB(A)	93,1
Onzekerheid (K)	dB(A)	3
LWA (geluidsvermogen)	dB(A)	105,3
Onzekerheid (K)	dB(A)	3
Trillingen ah	m/s^2	6,46
Onzekerheid (K)	m/s^2	1,5

EG-conformiteitsverklaring

RICHTLIJN MACHINERIEËN



CS355

Black & Decker verklaart dat deze producten, die zijn beschreven onder "Technische gegevens", voldoen aan:

2006/42/EC, EN61029-1, EN61029-2-10

Neem voor meer informatie contact op met Black & Decker op het volgende adres of raadpleeg de achterzijde van de handleiding.

Ondergetekende is verantwoordelijk voor de compilatie van het technische bestand en geeft deze verklaring namens Black&Decker af.

Kevin Hewitt
Vice-President Global Engineering
Black & Decker Europe, 210 Bath Road, Slough,
Berkshire, SL1 3YD
Verenigd Koninkrijk
27/05/2010

Garantie

Black & Decker heeft vertrouwen in haar producten en biedt een uitstekende garantie. Deze garantiebepalingen vormen een aanvulling op uw wettelijke rechten en beperken deze niet. De garantie geldt in de lidstaten van de Europese Unie en de Europese Vrijhandelsassociatie.

Mocht uw Black & Decker product binnen 24 maanden na de datum van aankoop defect raken ten gevolge van materiaal- of constructiefouten, dan garanderen wij de kosteloze vervanging van defecte onderdelen, de reparatie van het product of de vervanging van het product, tenzij:

- ◆ Het product is gebruikt voor handelsdoeleinden, professionele toepassingen of verhuurdoeleinden.
- ◆ Het product onoordeelkundig is gebruikt.
- ◆ Het product is beschadigd door invloeden van buitenaf of door een ongeval.
- ◆ Reparaties zijn uitgevoerd door anderen dan onze servicecentra of Black & Decker-personeel.

Om een beroep te doen op de garantie, dient u een aankoopbewijs te overhandigen aan de verkoper of een van onze servicecentra. U kunt het adres van het dichtstbijzijnde servicecentrum opvragen via de adressen op de achterzijde van deze handleiding. U kunt ook een lijst van onze servicecentra en meer informatie m.b.t. onze klantenservice vinden op het volgende internetadres: www.2helpU.com

Meld u aan op onze website www.blackanddecker.nl om te worden geïnformeerd over nieuwe producten en speciale aanbiedingen. Verdere informatie over het merk Black & Decker en onze producten vindt u op www.blackanddecker.nl.
Usó previsto

La sierra Tronzadora Black & Decker se ha diseñado para cortar materiales de acero de formas variadas. Este producto está pensado únicamente para uso doméstico.

Instrucciones de seguridad

Advertencias de seguridad generales para herramientas eléctricas



¡Atención! Cuando utilice herramientas eléctricas, respete siempre las normativas de seguridad vigente en su país con objeto de reducir el riesgo de incendio, descarga eléctrica y lesiones personales.

- ◆ Lea todo el manual detenidamente antes de utilizar el aparato.
- ◆ En este manual se describe el uso para el que se ha diseñado el aparato. La utilización de accesorios o la realización de operaciones distintas de las recomendadas en este manual de instrucciones puede presentar un riesgo de lesiones.
- ◆ Conserve este manual para futuras consultas.

1. Mantenga limpia la zona de trabajo

Las zonas y mesas de trabajo desordenadas pueden provocar accidentes.

2. Tenga presente el entorno de la zona de trabajo

No exponga la herramienta a la lluvia. No utilice la herramienta en condiciones de humedad o lluvia. Mantenga bien iluminada el área de trabajo (250-300 lux). No utilice la herramienta allí donde haya riesgo de provocar un incendio o una explosión, por ejemplo, en presencia de líquidos y gases inflamables.

3. Protéjase contra las descargas eléctricas

Evite que el cuerpo entre en contacto con superficies conectadas a una toma de tierra (como tuberías, radiadores, cocinas y refrigeradores). Cuando utilice la herramienta en condiciones extremas (por ejemplo, con humedad elevada, cuando se produzcan virutas metálicas, etc.), se puede incrementar la seguridad eléctrica mediante dispositivos de corriente residual de 30 mA de alta sensibilidad.

4. No deje que se acerquen otras personas

No permita que otras personas, especialmente los niños, colaboren en la tarea, ni que toquen la herramienta o el cable de extensión y manténgalos alejados de la zona de trabajo.

5. Guarde las herramientas inactivas

Las herramientas, cuando no se utilicen, deberán guardarse en un lugar seco, bien cerrado y fuera del alcance de los niños.

6. No sobrecargue la herramienta

Hará mejor el trabajo y de un modo más seguro a la velocidad para la que fue diseñada.

7. Utilice la herramienta correcta

No fuerce las herramientas pequeñas para que hagan el trabajo de una herramienta de alto rendimiento. No utilice las herramientas con un propósito distinto para el que fueron diseñadas; por ejemplo, no utilice sierras circulares para cortar ramas o troncos de árboles.

8. Lleve puesta ropa de trabajo adecuada

No lleve prendas sueltas ni joyas, ya que pueden quedarse atrapadas en las piezas móviles. Lleve un gorro para el pelo para mantener recogido el cabello largo. Cuando trabaje en exteriores, lleve preferiblemente guantes adecuados y calzado antideslizante.

9. Utilice equipo de protección

Lleve siempre gafas de seguridad. Utilice una mascarilla protectora siempre que el trabajo pueda producir polvo o que salten partículas. Si esas partículas pueden estar muy calientes, lleve además un delantal resistente al calor. Utilice protección para los oídos en todo momento. Utilice un casco de seguridad en todo momento.

10. Conecte el equipo extractor de polvo

Si se suministran dispositivos para la conexión de accesorios de recogida y extracción de polvo, asegúrese de que estén conectados y que se utilicen correctamente.

11. Cuide el cable de alimentación

No lleve nunca la herramienta asida por el cable. No tire del cable para desconectar la herramienta de la toma de corriente. Mantenga el cable alejado de temperaturas elevadas, aceites y bordes afilados.

12. Sujete bien la pieza en la que esté trabajando

Use abrazaderas o un torno de banco para sujetar la pieza de trabajo. Es más seguro y deja libres ambas manos para manejar la herramienta.

13. Sea precavido

Mantenga un apoyo firme sobre el suelo y conserve el equilibrio en todo momento.

14. Cuide sus herramientas

Mantenga las herramientas de corte limpias y afiladas para obtener un rendimiento mejor y más seguro. Siga las instrucciones para lubricar y cambiar los accesorios. Revise los cables de las herramientas periódicamente y si observa cualquier daño, llévelas a un centro de servicio autorizado para que los reparen. Revise los cables de extensión

periódicamente y sustitúyalos si están dañados. Mantenga las asas secas, limpias y libres de aceite y grasa.

15. Desconecte la herramienta

Apague la herramienta y espere a que se detenga del todo antes de dejarla sin atención. Desenchufe la herramienta cuando no la esté usando, antes de cambiar cualquier pieza de la herramienta y de los accesorios o dispositivos auxiliares y antes de revisarla.

16. Quite las llaves y herramientas de ajuste

Compruebe siempre, antes de poner en funcionamiento la herramienta, que se le hayan retirado todas las llaves y herramientas de ajuste.

17. Evite que la herramienta se ponga en marcha accidentalmente

No transporte la herramienta con el dedo sobre el interruptor. Asegúrese de que la herramienta se encuentra apagada antes de conectarla.

18. Utilice cables de extensión para exteriores

Antes de utilizar el cable de extensión, compruebe que no está dañado y cámbielo si lo estuviera. Cuando utilice la herramienta en exteriores, utilice solamente cables de extensión destinados al uso en exteriores y con el distintivo correspondiente.

19. Esté atento

Preste atención a lo que esté haciendo, haga uso del sentido común y no utilice la herramienta si se siente cansado.

20. Compruebe si hay partes dañadas

Antes de utilizarlos, compruebe que la herramienta y el cable de corriente no presentan daños. Compruebe que las piezas móviles se encuentran correctamente alineadas y en buenas condiciones, que no hay piezas rotas, y que los dispositivos de protección e interruptores están en buenas condiciones, así como cualquier otro elemento que pudiera afectar al funcionamiento de la herramienta. Asegúrese de que la herramienta funciona correctamente y realiza las funciones para las que se ha diseñado. No utilice la herramienta si presenta alguna pieza dañada o defectuosa. No utilice la herramienta si el interruptor no se puede encender y apagar. Solicite al servicio técnico autorizado de Black and Decker la sustitución de las piezas dañadas o defectuosas. Nunca intente realizar reparaciones usted mismo.

21. ¡Atención!

La utilización de accesorios o dispositivos auxiliares o la realización de operaciones distintas de las recomendadas en este manual de instrucciones para esta herramienta pueden suponer un riesgo de lesiones.

22. Repare la herramienta en un taller con personal cualificado

Esta herramienta cumple con las normativas de seguridad pertinentes. Repare la herramienta en un servicio técnico autorizado de Black and Decker. Las reparaciones deben llevarse a cabo por personal cualificado, usando piezas de recambio originales; en caso contrario, podría ocasionarse un considerable peligro al usuario.

Instrucciones de seguridad adicionales para las sierras tronadoras

- ◆ Lleve siempre guantes de seguridad normales cuando use esta herramienta.
- ◆ Mantenga las manos alejadas del disco de corte. No corte nunca piezas que obliguen a acercar las manos a menos de 15 cm del disco de corte giratorio.
- ◆ No corte piezas de menos de 1,2 mm de grosor con el disco de corte que se suministra con la herramienta.
- ◆ No utilice la herramienta sin las protecciones colocadas en su sitio.
- ◆ No realice ningún trabajo a pulso. Utilice la abrazadera para asir con seguridad la pieza de trabajo.
- ◆ No toque nunca la parte posterior del disco de corte.
- ◆ Sitúe siempre la herramienta en una superficie plana, estable, bien cuidada y libre de materiales sueltos como virutas y recortes.
- ◆ Antes de usar la herramienta, compruebe si el disco de corte tiene grietas o defectos. Deseche el disco de corte si tiene grietas o defectos evidentes.
- ◆ Antes de encender la herramienta, asegúrese de que el disco de corte no esté en contacto con la pieza.
- ◆ Durante el trabajo, evite tratar de manera inadecuada el disco de corte o que este reciba golpes. Si esto ocurriese, pare la herramienta y compruebe si el disco de corte está bien.
- ◆ No utilice la herramienta cuando se encuentre en la línea del disco de corte. Mantenga alejadas de la zona de trabajo a las personas ajenas a ella.
- ◆ Tenga cuidado con las virutas y con el material que se está cortando. Pueden tener los bordes afilados o estar calientes. Deje que las piezas cortadas se enfrien antes de manipularlas.
- ◆ El deflector de chispas se caliente durante el uso. Evite tocar o ajustar el deflector de chispas justo después de trabajar con la herramienta.
- ◆ Apague la herramienta y espere a que se detenga el disco de corte antes de mover la pieza de trabajo o de cambiar los ajustes.
- ◆ Después de apagar el aparato, no intente nunca detener el disco de corte presionando el lateral del disco.
- ◆ No utilice líquidos de corte. Estos líquidos pueden inflamarse o provocar una descarga eléctrica.
- ◆ Compruebe que la pieza de trabajo está bien apoyada.

- ◆ Utilice sólo los discos de corte recomendados por el fabricante. No utilice hojas de sierras circulares o cualquier otro tipo de hojas dentadas.
- ◆ La velocidad máxima admisible del disco de corte debe ser siempre igual o mayor que la velocidad sin carga de la herramienta especificada en la placa de identificación.
- ◆ No utilice discos de corte que no tengan las dimensiones indicadas en los datos técnicos.
- ◆ Antes de su uso, compruebe que el disco está bien instalado.
- ◆ Deje que la máquina funcione sin carga en una posición segura durante unos 30 segundos. Si hay una vibración considerable o si se observa cualquier otra anomalía, detenga la máquina y trate de averiguar la causa.
- ◆ No utilice los discos de corte para pulir lateralmente.
- ◆ No corte hormigón, ladrillos, tejas ni materiales cerámicos.
- ◆ No corte madera, plástico ni materiales sintéticos.
- ◆ No corte materiales de fundición.
- ◆ No corte nunca materiales de magnesio.
- ◆ No corte cables eléctricamente activos.
- ◆ Utilice esta herramienta en una zona bien ventilada. No trabaje con la herramienta cerca de líquidos, gases o polvos inflamables. Las chispas, las virutas calientes o el chisporroteo de las escobillas del motor pueden inflamar los materiales combustibles.
- ◆ Despeje periódicamente las ranuras de ventilación cuando trabaje en sitios polvorientos. Si fuese necesario limpiar las ranuras, recuerde que antes debe desenchufar la herramienta.
- ◆ Guarde siempre los discos de corte bien protegidos en un lugar seco, lejos del alcance de los niños.
- ◆ **¡Advertencia!** El empleo de esta herramienta puede generar polvo que contenga sustancias químicas cancerígenas y que provoque defectos congénitos u otros problemas del aparato reproductor. Utilice la protección respiratoria adecuada.



¡Atención! Utilice únicamente discos de sierra tronzoadora con un grosor máximo de 3 mm y un diámetro máximo de 355 mm.

¡Atención!

El disco cortador continuará girando después de desconectar la herramienta.

- ◆ Utilice sólo discos reforzados a 4.300 rpm de velocidad o superior.
- ◆ Lleve siempre protección para los ojos, utilice las protecciones, sujete el trabajo en el tornillo del banco, utilice protección respiratoria adecuada.

En la producción de ruido influyen los factores siguientes:

- ◆ el material que se va a cortar

- ◆ el tipo de disco de corte
- ◆ la fuerza de avance
- ◆ **¡Advertencia!** Adopte las medidas apropiadas para proteger los oídos.

Riesgos residuales

Los siguientes riesgos son típicos del uso de estas máquinas:

- ◆ lesiones producidas por el contacto con piezas giratorias
- ◆ lesiones producidas por avería del disco de corte

Estos riesgos son los más evidentes:

- ◆ en el ámbito de funcionamiento
- ◆ en el ámbito de acción de las piezas giratorias de la máquina

Pese al cumplimiento de las normas de seguridad correspondientes y el uso de dispositivos de seguridad no es posible evitar ciertos riesgos residuales. Son los siguientes:

- ◆ Pérdida auditiva.
- ◆ Riesgo de accidente causado por piezas sin protección del disco de corte giratorio.
- ◆ Riesgo de lesiones cuando se cambia el disco.
- ◆ Riesgo de aplastamiento de los dedos al abrir las protecciones.

Seguridad eléctrica



La herramienta lleva un doble aislamiento; por lo tanto, no requiere una toma a tierra. Cada vez que utilice el aparato, debe comprobar que el voltaje de la red eléctrica corresponde con el valor indicado en la placa de características. No intente sustituir el cargador por un enchufe convencional para la red eléctrica.

- ◆ Si el cable de alimentación está dañado, haga que lo sustituya el fabricante o un centro de asistencia técnica autorizado de Black & Decker para evitar cualquier situación de riesgo.

Caídas de voltaje

Las corrientes de entrada pueden provocar breves caídas de voltaje. Las condiciones desfavorables de alimentación de corriente también pueden afectar a otros equipos. Si la impedancia del sistema de alimentación es inferior a 0.12 Ω, es improbable que se produzcan perturbaciones.

Símbolos de advertencia

En la herramienta aparecen los siguientes símbolos:



¡Atención! Para reducir el riesgo de lesiones, el usuario debe leer el manual de instrucciones.



Lleve siempre gafas protectoras de seguridad.



Lleve siempre protectores auditivos de seguridad.

Características

Esta herramienta incluye una o más de las siguientes características.

- A. Cadena de bloqueo
- B. Tornillo del deflector de chispas
- C. Deflector de chispas
- D. Base
- E. Tope
- F. Tornillo de banco
- G. Llave inglesa
- H. Manija
 - I. Palanca del tornillo de banco
- J. Disco de corte
- K. Protector
- L. Bloqueo del eje
- M. Perno de tope de profundidad y tuerca de bloqueo
- N. Gatillo interruptor
- O. Orificio del candado
- P. Pernos del tope

Montaje

¡Atención! Apague y desenchufe la herramienta antes de hacer cualquier ajuste o de retirar o instalar accesorios. Compruebe que el interruptor de puesta en marcha esté en la posición OFF (apagado). No haga ningún ajuste mientras el disco esté en movimiento.

Desmontaje e instalación de un disco de corte (fig. 7 - FIG 8)

- ◆ Empuje el bloqueo del eje (L).
- ◆ Gire el disco de corte (J) hasta que se bloquee.
- ◆ Con la llave inglesa (G), retire el perno (S) girando en el sentido contrario a las agujas del reloj y retire la arandela (T) y la brida (U).
- ◆ Compruebe que el separador (R) está en su lugar frente a la brida.
- ◆ Sustituya el disco de corte (J). Asegúrese de que el nuevo disco está situado en el separador (R) en la dirección de giro correcta.
- ◆ Asegure la hoja con la brida de retención (U), la arandela (T) y el perno (S).
- ◆ Empuje el bloqueo del eje (L).
- ◆ Gire el disco de corte (J) hasta que se bloquee.
- ◆ Con la llave inglesa (G), apriete el perno (S) girando en el sentido de las agujas del reloj.
- ◆ Mueva la protección hacia atrás y hacia abajo y libere el bloqueo del eje (L).
- ◆ Ajuste la profundidad de corte según sea necesario.

Ajuste de la profundidad de corte (fig. 1)

Se puede ajustar la profundidad de corte en función del desgaste del disco de corte.

- ◆ Pruebe con la herramienta apagada y compruebe la distancia.
- ◆ Si es necesario algún ajuste, siga el siguiente procedimiento:
- ◆ Afloje la tuerca de bloqueo (M) algunas vueltas.
- ◆ Gire el perno de tope de profundidad (M) hacia dentro o hacia fuera para conseguir la profundidad de corte necesaria.
- ◆ Apriete la tuerca de bloqueo (M).

Atención: Ajuste siempre el tope de profundidad a su posición original al sustituir el disco de corte.

Sujete la pieza en la que está trabajando en su posición (fig. 2 - fig. 4)

La herramienta viene equipada con un tornillo de banco (F)

- ◆ Mueva la palanca (I) hacia el asa (H).
- ◆ Empuje el tornillo de banco (F) hacia adelante hasta que la abrazadera esté casi tocando la pieza de trabajo.
- ◆ Empuje la palanca (I) hacia la abrazadera hasta que encaje con el eje del enganche.
- ◆ Gire el asa (H) en el sentido de las agujas reloj y sujete firmemente la pieza de trabajo.
- ◆ Para liberar la pieza de trabajo, gire el asa (H) en el sentido contrario a las agujas del reloj.
- ◆ Para incrementar la capacidad de corte, sitúe el bloque separador debajo de la pieza de trabajo. El bloque separador debería ser ligeramente más estrecho que la pieza de trabajo.

Atención: Aguante las piezas de trabajo largas mediante una pieza de madera. No sujete el extremo de corte de la pieza.

Función rápida de viaje (fig. 4)

El enganche dispone de una función rápida de viaje.

- ◆ Para soltar el enganche, gire el asa (H) una o dos vueltas en sentido contrario a las agujas del reloj y tire de la palanca (I) hacia el asa (H).

Ajustar la posición del enganche (fig. 5)

La posición de enganche se puede ajustar para que coincida con el disco de corte.

- ◆ Retire los pernos del tope (P) con la llave inglesa (G).
- ◆ Retire el tope (E) según sea necesario.
- ◆ Vuelva a colocar los pernos del tope (P) y apriételes para bloquear el tope (E).

Ajuste del ángulo de corte (fig. 6)

La herramienta se puede utilizar para ingletar hasta 45°.

- ◆ Afloje los pernos del tope (P) para liberar el tope (E).
- ◆ Ajuste el tope (E) hasta el ángulo requerido. El ángulo se puede leer en la escala (Q).
- ◆ Apriete los pernos del tope (P) para bloquear el tope (E).

Comprobación y ajuste de la escala de inglete (fig. 6)

- ◆ Afloje los pernos del tope (P) para liberar el tope (E).
- ◆ Empuje hacia abajo el brazo y bloquéelo en esta posición colocando la cadena de bloqueo (A).
- ◆ Sitúe una escuadra en el tope (E) y el lateral izquierdo de disco de corte creando un ángulo perfecto de 90°. Compruebe que la marca de 0° en la escala (Q) se alinea con la marca en la base (D).
- ◆ Apriete los pernos del tope (P) para bloquear el tope (E).
- ◆ Retire la cadena de bloqueo (A) y ponga el brazo en su posición en la parte superior.

Ajuste del deflector de chispas (fig. 1)

- ◆ Afloje el tornillo (B).
- ◆ Ajuste el deflector de chispas (C) según sea necesario.
- ◆ Apriete el tornillo (B).

Uso

Atención: Tenga siempre en cuenta las instrucciones de seguridad y las normativas aplicables.

Atención: No aplique una presión excesiva sobre la herramienta.

Atención: Evite la sobrecarga. Si la herramienta se calienta, déjela funcionar unos minutos sin carga.

Capacidad de corte

La apertura amplia del tornillo de banco y el punto de giro elevado proporcionan una capacidad para cortar piezas muy grandes. Use la tabla de capacidad de corte para determinar el tamaño máximo de corte que se puede lograr con un disco nuevo.

Precaución: Algunos objetos grandes, de forma circular o irregular puede que necesiten medios de amarre auxiliares si no se puede amarrar bien en el tornillo de banco.

Precaución: No corte piezas de magnesio con esta herramienta.

Capacidad de corte máxima

Nota: Para la capacidad mostrada en la tabla, el disco no debe estar desgastado y la posición del tope debe ser óptima.

Forma de la pieza de trabajo				
Ángulo de corte de 90°	A = 4-7/8" (125 mm)	A = 4-1/2" (115 mm)	4-1/2" x 5-1/8"(115 mm x 130 mm)4" x 7-5/8"(115 mm x 130 mm)3" x 7-3/8"(115 mm x 130 mm)	A = 4-1/2" x 5-3/8" (115 mm x 137 mm)
Ángulo de corte de 45°	A = 4-1/2" (115 mm)	A = 3-13/16" (98 mm)	4-1/2" x 3-13/16"4-1/8" x 3-3/4"(105 mm x 95 mm)	A = 3-13/16" 3-3/4" (95 mm)

Antes de empezar a trabajar:

- ◆ Instale el disco de corte apropiado. No utilice discos demasiado desgastados. La velocidad de rotación máxima de la herramienta no debe exceder de la del disco de corte.
- ◆ Asegúrese de que el disco gire en la dirección de las flechas en el accesorio y la herramienta.
- ◆ Sujete bien la pieza en la que esté trabajando.
- ◆ Ajuste siempre el deflector de chispas correctamente.

Encendido y apagado (fig. 1)

El interruptor de encendido (N) está situado en el asa de operación.

- ◆ Pulse el interruptor de encendido (N) para encender la herramienta.
- ◆ Mantenga el interruptor de encendido pulsado mientras está trabajando.
- ◆ Para detener la herramienta, suelte el interruptor (N).

Atención: No apague ni encienda la herramienta cuando tiene carga.

Atención: Para evitar el uso no autorizado de la herramienta, coloque un candado estándar (no incluido) en el orificio (O) previsto a tal efecto en el gatillo.



¡Atención! No corte magnesio.

Si desea más información sobre los accesorios adecuado, consulte a su distribuidor.

Realización de un corte (fig. 1).

- ◆ Coloque el material que va a cortar contra el tope (E) y asegúrelo utilizando el tornillo de banco (F).
- ◆ Encienda la herramienta y empuje hacia abajo el asa para cortar la pieza. Deje que el motor alcance la máxima

velocidad antes de cortar.

- ◆ Deje que el disco corte con libertad. No lo fuerce.
- ◆ Tras finalizar el corte, apague la herramienta y devuelva el brazo a su posición original.

Transporte (fig. 1)

La herramienta está equipada con una cadena de bloqueo (A) que bloquea la herramienta en su posición cerrada para su transporte.

Atención: Asegúrese de que la herramienta está apagada y desconectada de la corriente antes de su transporte.

- ◆ Baje la protección (K) hasta la base de la tabla de corte (D) y asegure la herramienta en esta posición ajustando la cadena en el gancho del asa.
- ◆ Transporte la herramienta utilizando las asas de transporte.
- ◆ Para liberar la herramienta, presione el asa de operación ligeramente y retire la cadena de bloqueo (A).

Mantenimiento

Este aparato o herramienta con o sin cable de Black & Decker se ha diseñado para que funcione durante un largo período de tiempo con un mantenimiento mínimo. El funcionamiento satisfactorio continuado depende de un cuidado apropiado y una limpieza periódica del aparato o herramienta.

¡Atención! Antes de realizar el mantenimiento de un aparato o herramienta con o sin cables:

- ◆ Apague el aparato y extraiga la pila.
- ◆ Mantenga limpias las ranuras de ventilación y limpie la carcasa regularmente con un paño seco.
- ◆ No utilice limpiadores abrasivos.

Inspección y sustitución de la escobilla del motor (fig. 9)

¡Atención! Apague y desenchufe la herramienta. Compruebe que el interruptor de puesta en marcha esté en la posición OFF (apagado).

Se deberían revisar las escobillas en busca de desgaste.

Para inspeccionar las escobillas, retire la tapa de las escobillas (W). Las escobillas (V) deberían deslizarse libremente en la caja de escobillas. Si las escobillas están desgastadas por debajo de 0,3" (8 mm) como se muestra en la figura 9 se deberían cambiar.

Para reinstalarlas, empuje las nuevas escobillas en la caja de escobillas. Si se sustituye una escobilla existente, mantenga la misma orientación que la que se retiró. Vuelva a colocar la tapa de las escobillas sin apretarla demasiado.

Limpieza

Se recomienda retirar el polvo y la gravilla de la carcasa con una manguera de aire y se debe realizar en cuanto se detecte

suciedad en y alrededor de las ventilaciones de aire. Utilizar siempre protección ocular y respiratoria.

Reparaciones

Para garantizar la SEGURIDAD y FIABILIDAD del producto, se debería reparar, mantener y ajustar la herramienta por servicios técnicos autorizados u otros servicios técnicos cualificados, utilizando siempre piezas de sustitución idénticas.

Lubricación

Se emplean rodamientos de bolas de lubricación estanca de tipo cerrado. Estos rodamientos vienen de fábrica con suficiente lubricación para durar toda la vida de la sierra tronadora.

Accesorios

¡Precaución! El uso de esta herramienta con cualquier accesorio no recomendado podría resultar peligroso. Use sólo discos con aglomerante orgánico de alta resistencia de Tipo 1 para 4.300 rpm o más.

Los accesorios recomendados para su herramienta están disponibles con un coste adicional en su distribuidor local o centro de servicio técnico autorizado.

Protección del medio ambiente



Recogida selectiva. No se debe desechar este producto con el resto de residuos domésticos.

Si llegase el momento en que fuese necesario sustituir su producto Black & Decker o si este dejase de tener utilidad para usted, no lo deseché junto con los residuos domésticos. Sepárelo para su recogida selectiva.



La recogida selectiva de productos y embalajes usados permite el reciclaje de materiales y su reutilización. La reutilización de materiales reciclados contribuye a evitar la contaminación medioambiental y reduce la demanda de materias primas.

Las normativas municipales deben ofrecer la recogida selectiva de productos eléctricos del hogar, en puntos municipales previstos para tal fin o a través del distribuidor cuando adquiera un nuevo producto.

Black & Decker proporciona facilidades para la recogida y reciclado de los productos Black & Decker que han llegado al final de su vida útil. Para poder utilizar este servicio, le rogamos que entregue el producto a cualquier agente de servicio técnico autorizado para que se haga cargo de él en nuestro nombre.

Para consultar la dirección del agente de servicio técnico más cercano, póngase en contacto con la oficina local de Black & Decker en la dirección que se indica en este manual. Como alternativa, puede consultar la lista de servicios técnicos autorizados de Black & Decker y obtener la información completa de nuestros servicios de posventa y contactos en la siguiente dirección de Internet: www.2helpU.com

Declaración de conformidad CE

DIRECTIVA DE MAQUINARIAS



CS355

Black & Decker declara que los productos descritos en los "datos técnicos" cumplen con lo siguiente:

2006/42/EC, EN61029-1, EN61029-2-10

Si desea obtener más información, póngase en contacto con Black & Decker a través de la siguiente dirección o consulte el dorso del manual.

La persona que firma a continuación es responsable de la elaboración del archivo técnico y realiza esta declaración en nombre de Black & Decker.

Kevin Hewitt
Vicepresidente de Ingeniería global
Black & Decker Europe, 210 Bath Road, Slough,
Berkshire, SL1 3YD
Reino Unido
27/05/2010

Características técnicas

		CS355 (Tipo1)
Voltaje	V _{ac}	230
Tensión de entrada	W	2,300
Velocidad sin carga	min ⁻¹	3,800
Disco de corte de velocidad periférica mínima	m/s	80
Diámetro de la hoja	mm	355
Diámetro interior de la hoja	mm	25,4
Ancho de la hoja	mm	3
Tipo de disco de corte	recto, no encastrado	
Capacidad de corte cruzado a 90°		
Circular	mm	125
Cuadrado	mm	115
Rectangular	mm	115 x 130
Angular	mm	137 x 137
Capacidad de corte cruzado a 45°		
Circular	mm	115
Cuadrado	mm	98 x 98
Rectangular	mm	105 x 95
Angular	mm	95 x 95
Peso	kg	18

		CS355 (Tipo1)
LpA (presión acústica)	dB(A)	93,1
Incertidumbre (K)	dB(A)	3
LWA (potencia acústica)	dB(A)	105,3
Incertidumbre (K)	dB(A)	3
Vibración ah	m/s ²	6,46
Incertidumbre (K)	m/s ²	1,5

Garantía

Black & Decker confía plenamente en la calidad de sus productos y ofrece una garantía extraordinaria. Esta declaración de garantía es un añadido, y en ningún caso un perjuicio para sus derechos legales. La garantía es válida dentro de los territorios de los Estados miembros de la Unión Europea y de los de la Zona Europea de Libre Comercio.

Si un producto Black & Decker resultara defectuoso debido a materiales o mano de obra defectuosos o a la falta de conformidad, Black & Decker garantiza, dentro de los 24 meses de la fecha de compra, la sustitución de las piezas defectuosas, la reparación de los productos sujetos a un desgaste y rotura razonables o la sustitución de tales productos para garantizar al cliente el mínimo de inconvenientes, a menos que:

- ◆ El producto se ha utilizado con propósitos comerciales, profesionales o de alquiler.
- ◆ El producto se ha sometido a un uso inadecuado o negligente.
- ◆ El producto ha sufrido daños causados por objetos o sustancias extrañas o accidentes.
- ◆ Se hayan realizado reparaciones por parte de personas que no sean del servicio técnico autorizado o personal de servicios de Black & Decker.

Para reclamar en garantía, será necesario que presente la prueba de compra al vendedor o al agente de servicio técnico autorizado. Para consultar la dirección del agente de servicio técnico más cercano póngase en contacto con la oficina local de Black & Decker en la dirección que se indica en este manual. Como alternativa, puede consultar la lista de servicios técnicos autorizados de Black & Decker y obtener la información completa de nuestros servicios de posventa y contactos en la siguiente dirección de Internet: www.2helpU.com

Visite el sitio web www.blackanddecker.es para registrar su nuevo producto Black & Decker y estar al día sobre productos y ofertas especiales. Encontrará información adicional sobre la marca Black & Decker y nuestra gama de productos en www.blackanddecker.es.

Utilização prevista

A sua Serra Trituradora Black & Decker foi concebida para cortar materiais de aço de diversas formas. Este produto destina-se apenas a utilização doméstica.

Instruções de segurança

Avisos de segurança gerais para ferramentas eléctricas



Atenção! Quando utilizar ferramentas eléctricas respeite sempre os regulamentos de segurança em vigor no seu país, de modo a reduzir os riscos de incêndio, choque eléctrico e ferimentos pessoais.

- ◆ Leia cuidadosamente o manual completo antes de utilizar este aparelho.
- ◆ A utilização prevista para este aparelho está descrita no manual. A utilização de qualquer acessório ou a realização de qualquer operação com este aparelho que não se inclua no presente manual de instruções poderá representar um risco de ferimentos pessoais.
- ◆ Conserve este manual para referência futura.

1. Mantenha a área de trabalho limpa

Áreas e bancadas desarrumadas podem originar acidentes.

2. Avalie o ambiente da sua área de trabalho

Não exponha a ferramenta à chuva. Não utilize a ferramenta em situações de humidade. Mantenha a área de trabalho bem iluminada (250-300 Lux). Não utilize a ferramenta em áreas que apresentem risco de incêndio ou explosão, como por exemplo na presença de líquidos ou gases inflamáveis.

3. Tenha cuidado com os choques eléctricos

Evite que o corpo entre em contacto com superfícies ligadas à terra, como tubos, radiadores, fogões e frigoríficos. Se utilizar a ferramenta em condições extremas (por ex., com um elevado grau de humidade, durante a produção de limalha de ferro, etc.), a segurança eléctrica pode ser melhorada mediante a utilização de um Dispositivo de Corrente Residual (RCD) de alta sensibilidade (30 mA).

4. Mantenha as outras pessoas afastadas

Não permita que outras pessoas, particularmente crianças, não participantes no trabalho, toquem na ferramenta ou no cabo de extensão, mantendo-as afastadas da área de trabalho.

5. Arrume as ferramentas que não estejam a ser utilizadas

Quando não estiverem a ser utilizadas, as ferramentas devem ser armazenadas num local seco, fechado à chave e fora do alcance das crianças.

6. Não sobrecarregue a ferramenta

Com a potência indicada, a ferramenta realizará melhor o trabalho e de forma mais segura.

7. Utilize a ferramenta adequada

Não force pequenas ferramentas a realizar o trabalho de uma ferramenta pesada. Não utilize as ferramentas para outras utilizações que não as previstas; por exemplo, não utilize serras circulares para cortar pernas ou troncos de árvores.

8. Utilize vestuário adequado

Não utilize roupas largas nem jóias, pois podem ficar presas nas peças em movimento. Utilize uma cobertura de protecção para manter cabelos compridos longe da ferramenta. Ao trabalhar no exterior, utilize preferencialmente luvas adequadas e calçado antiderrapante.

9. Utilize equipamento de protecção

Utilize sempre óculos de protecção. Utilize uma máscara de protecção contra poeiras sempre que a utilização possa produzir poeiras ou partículas em suspensão. Se estas partículas puderem estar quentes, utilize também um avental de resistência térmica. Utilize sempre protecção para os ouvidos. Utilize sempre um capacete de segurança.

10. Ligue o equipamento de extracção de poeiras

Se estiver prevista a montagem de dispositivos de extracção e recolha de poeiras, assegure-se de que estes se encontram ligados e são utilizados de forma correcta.

11. Manuseie o cabo com cuidado

Nunca transporte a ferramenta pelo cabo. Nunca puxe pelo cabo para desligar a ferramenta da tomada. Mantenha o cabo afastado do calor, óleos e arestas afiadas.

12. Fixe a peça

Utilize grampos ou um torno para fixar a peça. É mais seguro e liberta ambas as mãos para a utilização da ferramenta.

13. Não se incline

Mantenha-se sempre bem posicionado e em equilíbrio.

14. Proceda a uma manutenção cuidadosa das ferramentas

Para assegurar um melhor funcionamento e um desempenho seguro, mantenha as ferramentas de corte afiadas e limpas. Siga as instruções relativas à lubrificação e à troca de acessórios. Verifique periodicamente os cabos das ferramentas e, caso se encontrem danificados, repare-os junto de um centro de assistência autorizado. Verifique periodicamente os cabos de extensão e substitua-os caso se encontrem danificados. Mantenha as pegas secas, limpas e sem qualquer óleo ou gordura.

15. Desligue a ferramenta

Desligue a ferramenta e aguarde até que esta pare completamente antes de a deixar sem vigilância. Quando não

estiver a utilizar a ferramenta ou antes de substituir qualquer das suas peças e acessórios ou de efectuar uma reparação, desligue-a.

16. Remova as chaves de ajuste e chaves de fendas
Certifique-se sempre de que as chaves de ajuste e chaves de fendas foram removidas da ferramenta antes de a utilizar.

17. Evite arranques involuntários
Não transporte a ferramenta com um dedo no interruptor. Certifique-se de que a ferramenta está desligada antes de a ligar à corrente eléctrica.

18. Utilize cabos de extensão para exterior
Antes da utilização, verifique a extensão eléctrica e substitua-a se estiver danificada. Quando utilizar a ferramenta ao ar livre, utilize extensões eléctricas apropriadas e marcadas para esse fim.

19. Mantenha-se alerta
Observe o que está a fazer, seja prudente e não utilize a ferramenta caso esteja cansado.

20. Verifique a existência de peças danificadas
Antes da utilização, verifique se a ferramenta e o cabo de alimentação apresentam danos. Verifique se as partes móveis estão desalinhasadas ou bloqueadas, se existem peças partidas, se as protecções e os botões estão danificados ou qualquer outra situação que possa afectar o funcionamento da ferramenta. Certifique-se de que a ferramenta funcionará correctamente e executará a função que pretende. Não utilize a ferramenta se alguma das suas peças estiver danificada ou avariada. Não utilize a ferramenta se não for possível ligá-la ou desligá-la com o interruptor. Substitua quaisquer peças danificadas ou avariadas junto de um agente de reparação autorizado da Black & Decker. Nunca tente efectuar reparações por sua conta.

21. Advertência!
A utilização de qualquer acessório ou a realização de qualquer operação com esta ferramenta que não se inclua no presente manual de instruções poderá representar risco de ferimentos.

22. Efectue as reparações da ferramenta junto de um agente especializado
Esta ferramenta cumpre as normas de segurança aplicáveis. Solicite a reparação da ferramenta a um agente de reparação autorizado da Black & Decker. As reparações devem ser realizadas por pessoas qualificadas, utilizando peças sobressalentes originais. Caso contrário, o utilizador poderá sujeitar-se a perigos consideráveis.

Instruções de segurança adicionais para serras trituradoras

- ◆ Utilize sempre luvas de trabalho normais ao usar a ferramenta.
- ◆ Mantenha as mãos afastadas do disco de corte. Nunca corte peças que exijam acção manual a menos de 15 cm do disco rotativo de corte.
- ◆ Não corte peças com menos de 1,2 mm de espessura utilizando o disco de corte fornecido com a ferramenta.
- ◆ Não utilize a ferramenta sem as protecções instaladas.
- ◆ Não efectue nenhuma operação com as mãos nuas. Utilize o grampo de material para fixar a peça de forma segura.
- ◆ Nunca se aproxime da traseira do disco de corte.
- ◆ Coloque sempre a ferramenta numa superfície plana e estável, limpa e livre de peças soltas, como aparas e desperdícios.
- ◆ Antes da utilização, verifique se o disco de corte apresenta rachas ou falhas. Deite o disco de corte fora se este apresentar sinais de rachas ou falhas.
- ◆ Antes de ligar a ferramenta, certifique-se de que o disco de corte não está em contacto com a peça.
- ◆ Durante o funcionamento, evite saltos e desvios do disco de corte. Se ocorrer algum salto ou desvio, pare a ferramenta e inspeccione o disco de corte.
- ◆ Ao utilizar a ferramenta, não alinhe a sua posição com o disco de corte. Mantenha as outras pessoas afastadas da área de trabalho.
- ◆ Tenha cuidado com as aparas de corte e com o material que está a cortar. Podem estar quentes ou afiados. Deixe arrefecer as peças cortadas antes de as manusear.
- ◆ O deflector de faíscas aquece durante a utilização. Evite tocar ou ajustar o deflector imediatamente após a utilização.
- ◆ Antes de deslocar a peça ou alterar a configuração, desligue a ferramenta e aguarde até que o disco de corte pare.
- ◆ Depois de desligar a ferramenta, nunca tente parar o disco de corte fazendo pressão contra a parte lateral do mesmo.
- ◆ Não utilize fluidos de corte. Tais fluidos poderiam incendiar-se ou provocar choques eléctricos.
- ◆ Verifique se a peça está correctamente apoiada.
- ◆ Utilize apenas discos de corte recomendados pelo fabricante. Nunca utilize lâminas de serra circulares ou outros tipos de lâminas com dentes.
- ◆ A velocidade máxima permitida para o disco de corte tem sempre de ser maior ou igual à velocidade sem carga da ferramenta, especificada na chapa.
- ◆ Não utilize discos de corte que não respeitem as dimensões especificadas nos dados técnicos.

- ◆ Antes da utilização, certifique-se de que o disco de corte se encontra correctamente montado.
- ◆ Deixe a ferramenta funcionar sem carga numa posição segura durante pelo menos 30 segundos. Se ocorrer uma vibração significativa ou qualquer outra situação fora do comum, pare a ferramenta e verifique-a para determinar a causa.
- ◆ Não utilize discos de corte para esmerilação lateral.
- ◆ Não corte betão, tijolo, azulejos ou materiais cerâmicos.
- ◆ Não corte madeira, plástico ou materiais sintéticos.
- ◆ Não corte materiais de ferro fundido.
- ◆ Nunca corte materiais compostos por magnésio.
- ◆ Não corte materiais ligados à corrente eléctrica.
- ◆ Utilize a ferramenta numa área bem ventilada. Não utilize a ferramenta perto de líquidos, gases ou poeiras inflamáveis. As faíscas ou aparas quentes das escovas dos motores de corte ou escorvamento poderão inflamar os materiais combustíveis.
- ◆ Quando trabalhar em ambientes com poeiras, limpe regularmente as saídas de ventilação. Se for necessário limpar as saídas, lembre-se de desligar primeiro a ferramenta.
- ◆ Armazene sempre os discos de corte, bem protegidos, num local seco e fora do alcance das crianças.
- ◆ **Atenção!** A utilização desta ferramenta poderá gerar poeiras que contenham químicos que poderão provocar cânceros, defeitos congénitos ou outros problemas reprodutivos. Utilize protecção respiratória adequada.



Atenção! Utilize sempre uma roda de serra trituradora com uma espessura máxima de 3 mm e um diâmetro máximo de 355 mm.

Advertência!

A roda de corte continuará a girar depois de a ferramenta ser desligada.

- ◆ Utilize sempre rodas reforçadas aprovadas para, pelo menos, 4300 rpm.
- ◆ Utilize sempre óculos, protecções, grampos de fixação das peças no torno e protecção respiratória adequada.

Os seguintes factores influenciam a geração de ruído:

- ◆ o material a cortar
- ◆ o tipo de disco de corte
- ◆ a força de alimentação
- ◆ **Atenção!** Tome as devidas precauções para proteger os ouvidos.

Riscos residuais

Os seguintes riscos são inerentes à utilização destas máquinas:

- ◆ ferimentos causados pelo contacto com peças em rotação
- ◆ ferimentos causados pela perturbação do disco de corte

Estes são os riscos mais evidentes:

- ◆ na área de funcionamento
 - ◆ na área das peças rotativas da máquina
- Apesar do cumprimento das normas de segurança relevantes e da implementação de dispositivos de segurança, não é possível evitar alguns riscos residuais. Estes são:
- ◆ Redução da audição.
 - ◆ Risco de acidentes provocados pelas peças descobertas do disco rotativo de corte.
 - ◆ Risco de ferimentos ao mudar o disco.
 - ◆ Risco de esmagamento dos dedos ao abrir as protecções.
- Segurança eléctrica



A sua ferramenta tem um isolamento duplo e, por isso, não requer ligação à terra. Verifique sempre se a tensão de alimentação corresponde à tensão indicada na placa de especificações. Nunca tente substituir a unidade do carregador por uma tomada normal de alimentação.

- ◆ Se o cabo de alimentação estiver danificado, terá de ser substituído pelo fabricante ou por um centro de assistência autorizado Black & Decker para evitar acidentes.

Quedas de voltagem

Correntes de entrada causam quedas de voltagem de curta duração. Em condições de alimentação de energia desfavoráveis, outros equipamentos podem ser afectados. Caso a impedância da alimentação de energia seja inferior a 0.12 Ω, é improvável a ocorrência de distúrbios.

Símbolos de Advertência

A ferramenta contém os seguintes símbolos:



Atenção! Para reduzir o risco de ferimentos, o utilizador deve ler o manual de instruções.

Utilize sempre óculos de protecção.



Utilize sempre protecção auricular.



Características

Esta ferramenta inclui algumas ou todas as seguintes características.

- Corrente de Bloqueio
- Parafuso do deflector de faíscas
- Deflector de faíscas
- Base
- Batente
- Torno
- Chave Plana
- Manivela
- Alavanca do Torno

- J. Disco de corte
- K. Protecção
- L. Bloqueio do Eixo
- M. Parafuso do Batente de Profundidade e Contraporca
- N. Botão de Gatilho
- O. Orifício do Cadeado
- P. Parafusos do Batente

Montagem

Atenção! Desligue a ferramenta e corte a alimentação antes de efectuar quaisquer ajustamentos ou instalar/remover acessórios. Certifique-se de que o botão de gatilho se encontra na posição OFF. Não efectue qualquer ajustamento enquanto a roda se encontrar em movimento.

Remover/colocar um disco de corte (fig. 7 - fig.8)

- ◆ Empurre o bloqueio do eixo (L) para dentro.
- ◆ Rode o disco de corte (J) até que fique bloqueado.
- ◆ Utilizando a chave plana (G), remova o parafuso (S) rodando-o no sentido contrário ao dos ponteiros do relógio e remova a anilha (T) e a flange de retenção (U).
- ◆ Certifique-se de que o espaçador (R) se encontra posicionado contra a flange.
- ◆ Substitua o disco de corte(J). Certifique-se de que o novo disco se encontra colocado no espaçador (R), no sentido de rotação correcto.
- ◆ Fixe a lâmina com a flange de retenção (U), a anilha (T) e o parafuso (S).
- ◆ Empurre o bloqueio do eixo (L) para dentro.
- ◆ Rode o disco de corte (J) até que fique bloqueado.
- ◆ Utilizando a chave plana (G), aperte o parafuso (S) rodando-o no sentido dos ponteiros do relógio.
- ◆ Mova novamente a protecção para baixo e solte o bloqueio do eixo (L).
- ◆ Ajuste a profundidade de corte conforme necessário.

Ajustar a profundidade de corte (fig. 1)

A profundidade de corte pode ser ajustada para corresponder ao desgaste do disco de corte.

- ◆ Efectue um teste com a ferramenta desligada e verifique a folga.
- ◆ Se for necessário efectuar um ajustamento, proceda da seguinte forma:
- ◆ Afrouxe algumas voltas na contraporca (M).
- ◆ Rode o parafuso do batente de profundidade (M) para um ou outro lado até atingir a profundidade de corte necessária.
- ◆ Aperte a contraporca (M).

Aviso: Ao substituir o disco de corte, ajuste sempre o batente de profundidade para a posição original.

Fixar a peça em posição (fig. 2 - fig. 4)

A ferramenta encontra-se equipada com um torno (F)

- ◆ Empurre a alavanca (I) em direcção à peça (H).
- ◆ Empurre o torno (F) para a frente até que a garra quase toque na peça.
- ◆ Pressione a alavanca (I) na direcção da garra até engatar no veio do grampo.
- ◆ Rode o manípulo (H) no sentido dos ponteiros do relógio e fixe a peça de forma segura.
- ◆ Para soltar a peça, rode o manípulo (H) no sentido contrário ao dos ponteiros do relógio.
- ◆ Para aumentar a capacidade de corte, coloque um bloco espaçador por baixo da peça. O bloco espaçador deverá ser ligeiramente mais estreito do que a peça.

Aviso: Apoie as peças longas utilizando um pedaço de madeira. Não fixe a extremidade cortada.

Funcionalidade de deslocação rápida (fig. 4)

O grampo possui uma funcionalidade de deslocação rápida.

- ◆ Para soltar o grampo, rode uma ou mais voltas do manípulo (H) no sentido contrário ao dos ponteiros do relógio e puxe a alavanca (I) em direcção ao manípulo (H).

Definir a posição de fixação (fig. 5)

A posição de fixação pode ser definida para corresponder ao disco de corte.

- ◆ Remova os parafusos do batente (P) utilizando a chave plana (G).
- ◆ Mova o batente (E) conforme necessário.
- ◆ Volte a colocar os parafusos do batente (P) e aperte-os para bloquear o batente (E).

Ajustar o ângulo de corte (fig. 6)

A ferramenta pode ser utilizada para cortes em buril até 45°.

- ◆ Afrouxe os parafusos do batente (P) para soltar o batente (E).
- ◆ Disponha o batente (E) no ângulo necessário. O ângulo pode ser lido na escala (Q).
- ◆ Aperte os parafusos do batente (P) para bloquear o batente (E).

Verificar e ajustar a escala do buril (fig. 6)

- ◆ Afrouxe os parafusos do batente (P) para soltar o batente (E).
- ◆ Puxe o braço para baixo e bloqueie-o nesta posição fixando a corrente de bloqueio (A).
- ◆ Coloque um quadrado junto do batente (E) e lado esquerdo do disco de corte, criando um ângulo de 90°. Certifique-se de que a marca dos 0° da escala (Q) se encontra alinhada com a marca da base (D).
- ◆ Aperte os parafusos do batente (P) para bloquear o batente (E).

- ◆ Remova a corrente de bloqueio (A) e volte a colocar o braço na posição de descanso superior.

Ajustar o deflector de faíscas (fig. 1)

- ◆ Desaperte o parafuso (B).
- ◆ Ajuste o deflector de faíscas (C) conforme adequado.
- ◆ Aperte o parafuso (B).

Utilização

Aviso: Respeite sempre as instruções de segurança e normas aplicáveis.

Aviso: Não exerça demasiada pressão sobre a ferramenta.

Aviso: Evite sobrecargas. Se a ferramenta aquecer, deixe-a funcionar alguns minutos no estado sem carga.

Capacidade de corte

A abertura larga e o ponto de alinhamento elevado do torno oferecem capacidade de corte para muitas peças grandes. Utilize a tabela de capacidades de corte para determinar o tamanho máximo total dos cortes que podem ser efectuados com uma nova roda.

Cuidado: Alguns objectos grandes, circulares ou de formato irregular poderão exigir modos de fixação adicionais caso não seja possível fixá-los de forma segura no torno.

Cuidado: Não corte magnésio com a ferramenta.

Capacidade máxima de corte

Nota: As capacidades apresentadas na tabela assumem um desgaste nulo da roda e uma posição óptima do batente.

Forma da peça				
90° ângulo de corte	A = 4-7/8" (125 mm)	A = 4-1/2" (115 mm)	4-1/2" x 5-1/8" (115 mm x 130 mm) 4" x 7-5/8" (115 mm x 130 mm) 3" x 7-3/8" (115 mm x 130 mm)	A = 4-1/2" x 5-3/8" (115 mm x 137 mm)
45° Ângulo de Corte	A = 4-1/2" (115 mm)	A = 3-13/16" (98 mm)	4-1/2" x 3-13/16" 4-1/8" x 3-3/4" (105 mm x 95 mm)	A = 3-13/16" 3-3/4" (95 mm)

Antes da utilização:

- ◆ Instale o disco de corte apropriado. Não utilize discos excessivamente gastos. A velocidade máxima de rotação da ferramenta não poderá exceder a do disco de corte.
- ◆ Certifique-se de que o disco roda na direcção das setas do acessório e da ferramenta.
- ◆ Fixe a peça.
- ◆ Ajuste sempre correctamente o deflector de faíscas.

Ligar e desligar (fig. 1)

O botão de gatilho ligar/desligar (N) encontra-se montado no manípulo de funcionamento.

- ◆ Para utilizar a ferramenta, prima o botão de gatilho ligar/desligar (N).
- ◆ Mantenha o botão ligar/desligar premido enquanto executa a operação.
- ◆ Para parar a ferramenta, solte o botão de gatilho (N).

Aviso: Não ligue nem desligue a ferramenta sob carga.

Aviso: Para impedir a utilização não autorizada da ferramenta, instale um cadeado padrão (não incluído) no orifício de cadeado (O) localizado no botão de gatilho.



Atenção! Não corte magnésio.

Consulte o seu revendedor para obter mais informações sobre os acessórios apropriados.

Executar um corte (fig. 1)

- ◆ Coloque o material a cortar contra o batente (E) e fixe-o utilizando o torno (F).
- ◆ Ligue a ferramenta e puxe o manípulo para baixo para cortar a peça. Antes de efectuar o corte, deixe o motor atingir a velocidade máxima.
- ◆ Deixe o disco cortar livremente. Não force.
- ◆ Depois de concluir o corte, desligue a ferramenta e volte a colocar o braço na posição de descanso superior.

Transporte (fig. 1)

A ferramenta encontra-se equipada com uma corrente de bloqueio (A) que permite bloqueá-la na posição fechada para efeitos de transporte.

Aviso: Certifique-se de que a ferramenta está desligada e com a alimentação cortada antes de a transportar.

- ◆ Baixe a protecção (K) até à base da mesa de corte (D) e fixe a ferramenta nesta posição fixando a corrente ao gancho do manípulo.
- ◆ Transporte a ferramenta utilizando os manípulos de transporte.
- ◆ Para libertar a ferramenta, pressione ligeiramente o manípulo de funcionamento e retire a corrente de bloqueio (A).

Manutenção

O seu aparelho/ferramenta Black & Decker com/sem fios foi concebido para funcionar durante um longo período de tempo com uma manutenção mínima. Um funcionamento contínuo e satisfatório depende de uma manutenção adequada e limpeza regular do aparelho/ferramenta.

Atenção! Antes de executar qualquer manutenção em aparelhos/ferramentas com/sem fios:

- ◆ Desligue o aparelho e remova a bateria.
- ◆ Mantenha as aberturas de ventilação livres e limpe regularmente o compartimento com um pano macio.
- ◆ Não utilize produtos de limpeza abrasivos.

Inspecção e substituição da escova do motor (fig. 9)

Atenção! Desligue a ferramenta e retire-a da tomada. Certifique-se de que o botão de gatilho se encontra na posição OFF.

O desgaste das escovas deverá ser inspeccionado a intervalos regulares. Para inspeccionar as escovas, remova o tampão das mesmas (W). As escovas (V) deverão deslizar livremente na caixa de escovas. Se as escovas apresentarem um desgaste até às 0,3" (8 mm), conforme apresentado na Figura 9, deverão ser substituídas.

Para reinstalar uma escova, empurre a nova escova de volta à caixa de escovas. Se estiver a substituir uma escova existente, mantenha a mesma orientação da escova removida. Substitua o tampão da escova (não o aperte demasiado).

Limpeza

Soprar as poeiras e grãos para fora do compartimento principal através de um tubo de ar constitui um procedimento recomendado, podendo ser efectuado sempre que se verificar a acumulação de poeiras nas condutas de ventilação. Utilize sempre protecções adequadas para os olhos e vias respiratórias.

Reparações

Para garantir a SEGURANÇA e FIABILIDADE do produto as reparações, manutenção e ajustes deverão ser executados por centros de assistência autorizados ou por outras organizações qualificadas de assistência, utilizando sempre peças sobresselentes originais.

Lubrificação

São utilizados rolamentos de esferas de tipo fechado, selados com óleo, em toda a máquina. Estes rolamentos dispõem de lubrificação suficiente carregada em fábrica para cobrirem toda a vida útil da serra trituradora.

Acessórios

Cuidado! A utilização de qualquer acessório não recomendado para uso com esta ferramenta poderá ser perigosa.

Utilize sempre rodas orgânicas de elevada resistência do Tipo 1, aprovadas para, pelo menos, 4300 rpm.

Os acessórios recomendados para utilização com a ferramenta encontram-se disponíveis, por um custo adicional, junto do seu revendedor local ou centro de assistência autorizada.

Protecção do ambiente



Separe os resíduos. Este produto não pode ser eliminado juntamente com os resíduos domésticos normais.

Se, em algum momento, for necessário substituir este produto Black & Decker ou se este deixar de ter utilidade, não elimine o produto num caixote do lixo. Este produto pode ser separado para reciclagem.



A recolha separada de produtos e embalagens usados permite que os materiais sejam reciclados e reutilizados. A reutilização de materiais reciclados ajuda a evitar a poluição ambiental e reduz a procura de matérias-primas.

A legislação local poderá prever a recolha separada de produtos domésticos eléctricos, seja em lixeiras municipais ou através do revendedor quando adquire um produto novo.

A Black & Decker dispõe de instalações para recolha e reciclagem de produtos Black & Decker quando estes atingem o fim da vida útil. Para usufruir deste serviço, devolva o produto em qualquer agente de reparação autorizado, que os recolherá em seu nome.

Pode verificar a localização do agente de reparação autorizado mais perto de si, contactando os escritórios locais da Black & Decker através do endereço indicado neste manual. Se preferir, está disponível na Internet uma lista de agentes de reparação autorizados Black & Decker, com os contactos e detalhes completos do serviço pós-venda, no endereço: www.2helpU.com

Dados técnicos

		CS355 (Tipo1)
Tensão	V _{ac}	230
Potência Utilizada	W	2,300
Velocidade Sem Carga	min ⁻¹	3,800
Velocidade Min. Periféricos do Disco de Corte	m/s	80
Diâmetro da lâmina	mm	355
Diâmetro interno do orifício da lâmina	mm	25.4
Largura da lâmina	mm	3
Tipo de Disco de Corte	Recto, não encastrado	
Capacidade de Corte Cruzado a 90°		
Circular	mm	125
Quadrado	mm	115
Rectangular	mm	115 x 130
Angular	mm	137 x 137
Capacidade de Corte Cruzado a 45°		
Circular	mm	115
Quadrado	mm	98 x 98
Rectangular	mm	105 x 95
Angular	mm	95 x 95
Peso	kg	18

		CS355 (Tipo 1)
LpA (Pressão Acústica)	dB(A)	93.1
Imprecisão (K)	dB(A)	3
LWA (Potência Acústica)	dB(A)	105.3
Imprecisão (K)	dB(A)	3
Vibração ah	m/s ²	6.46
Imprecisão (K)	m/s ²	1.5

Declaração de conformidade CE

DIRECTIVA MÁQUINAS



CS355

A Black & Decker declara que os produtos descritos em "dados técnicos" estão em conformidade com as seguintes normas:

2006/42/CE, EN61029-1, EN61029-2-10

Para obter mais informações, contacte a Black & Decker no endereço indicado ou consulte a parte posterior do manual.

O signatário é responsável pela compilação do ficheiro técnico e efectua esta declaração em nome da Black & Decker.

Kevin Hewitt
Vice-Presidente, Engenharia Global
Black & Decker Europe, 210 Bath Road, Slough,
Berkshire, SL1 3YD
Reino Unido
27/05/2010

Garantia

A Black & Decker confia na qualidade dos seus produtos e oferece uma garantia excelente. Esta declaração de garantia é um complemento dos seus direitos estabelecidos por lei, não os prejudicando de forma alguma. A garantia é válida nos territórios dos Estados Membros da União Europeia e da Associação Europeia de Comércio Livre.

Se um produto Black & Decker avariar devido a defeitos de material, fabrico ou não conformidade, num período de 24 meses após a data da compra, a Black & Decker garante a substituição das peças defeituosas, a reparação de produtos sujeitos a um desgaste aceitável ou a substituição dos mesmos para garantir o mínimo de inconvenientes ao cliente, excepto se:

- ◆ O produto tiver sido utilizado para fins comerciais, profissionais ou de aluguer.
- ◆ O produto tiver sido submetido a utilização indevida ou descuido;
- ◆ O produto tiver sido danificado por objectos estranhos, substâncias ou acidentes;
- ◆ Tiverem sido tentadas reparações por pessoas que não sejam agentes de reparação autorizados ou técnicos de manutenção da Black & Decker.

Para accionar a garantia, terá de apresentar comprovativos de compra ao vendedor ou a um agente de reparação autorizado. Pode verificar a localização do agente de reparação autorizado mais perto de si, contactando os escritórios locais da Black & Decker através do endereço indicado neste manual. Se preferir, está disponível na Internet uma lista de agentes de reparação autorizados Black & Decker, com os contactos e detalhes completos do serviço pós-venda, no endereço: www.2helpU.com

Visite o nosso website www.blackanddecker.pt para registar o novo produto Black & Decker e manter-se actualizado relativamente a novos produtos e ofertas especiais. Pode encontrar mais informações sobre a marca Black & Decker e sobre a nossa gama de produtos em www.blackanddecker.pt

Användningsområde
Denna kap från Black & Decker är avsedd för att kapa stålmaterial med olika profiler. Produkten är endast avsedd för konsumentbruk.

Säkerhetsanvisningar

Allmänna säkerhetsanvisningar för elverktyg



Varning! Följ alltid gällande säkerhetsföreskrifter i ditt land när du använder elverktyg så att brand, elektriska stötar och personsador förhindras.

- ◆ Läs hela den här bruksanvisningen noggrant innan du använder verktyget.
- ◆ Användningsområdet beskrivs i den här bruksanvisningen. Om andra tillbehör eller tillsatser används eller andra åtgärder utförs med verktyget än de som rekommenderas i den här bruksanvisningen kan detta leda till personsador.
- ◆ Spara den här bruksanvisningen för framtida bruk.

1. Håll arbetsområdet rent

Oordning på ytor och bänkar kan leda till olyckor.

2. Överväg arbetsmiljön

Utsätt inte verktyget för regn. Använd inte verktyget när det är fuktigt eller vått. Håll arbetsområdet välbelyst (250–300 lux). Använd inte verktyget där det finns risk att det orsakar brand eller explosion, till exempel i närheten av brandfarliga vätskor och gaser.

3. Förebygg risk för elektriska stötar

Förhindra kroppskontakt med jordade ytor (t.ex. rör, värmeelement, spisar och kylskåp). När verktyget används under extrema förhållanden (t.ex. hög luftfuktighet, när det bildas metallspån etc.) Elsäkerheten kan förbättras ytterligare genom att man använder en jordfelsbrytare med hög känslighet (30 mA).

4. Håll andra personer borta

Låt inte personer, främst barn, som inte deltar arbetet röra verktyget eller förlängningssladden och håll dem borta från arbetsområdet.

5. Förvara verktyget när det inte används

När verktyget inte används ska det förvaras på en torr plats och låsas in ordentligt, utom räckhåll för barn.

6. Överbelasta inte verktyget

Med rätt verktyg kan du utföra de arbetsuppgifter som verktyget är avsett för på ett bättre och säkrare sätt.

7. Använd rätt verktyg

Använd inte små verktyg för arbete som kräver ett kraftigare verktyg. Verktygen får inte användas för andra ändamål än vad de konstruerats för. Använd t.ex. inte cirkelsågar för att kapa kvistar eller ved.

8. Bär lämpliga kläder

Bär inte löst sittande kläder eller smycken, eftersom dessa kan fastna i roterande delar. Använd hårnät för att hålla undan långt hår. Använd lämpliga handskar och halkfria skor när du arbetar utomhus.

9. Använd skyddsutrustning

Använd alltid skyddsglasögon. Använd ansikts- eller munskydd när damm eller flygande partiklar kan uppstå. Om de här partiklarna kan bli mycket varma ska du också bära ett värmemetalligt förkläde. Använd alltid hörselskydd. Använd alltid skyddshjälm.

10. Anslut utrustning för dammuppsugning

Om elverktyget har uppsugnings- och uppsamlingsutrustning för damm kontrollerar du att den är monterad och används på korrekt sätt.

11. Var försiktig med nätsladden

Bär aldrig verktyget i sladden. Dra aldrig i sladden när du tar ur kontakten ur vägguttaget. Håll sladden borta från värme, olja och vassa kanter.

12. Fäst arbetsstycket

Använd tvingar eller ett skruvstycke för att hålla arbetsstycket på plats. Det är säkrare och gör att du kan använda verktyget med båda händerna.

13. Sträck dig inte för långt

Se till att alltid ha säkert fotfäste och god balans.

14. Ta hand om verktyget

Håll skärverktygen välslipade och rengör dem för bättre och säkrare användning. Följ anvisningen för smörjning och byte av tillbehör. Kontrollera verktygssladdar regelbundet och se till att få dem reparerade av en auktoriserad verkstad om de är skadade. Kontrollera förlängningssladdar regelbundet och byt ut dem om de är skadade. Håll handtagen torra, rena och fria från olja och fett.

15. Koppla ur verktyget

Stäng av verktyget och vänta tills det har stannat helt innan du lämnar det utan tillsyn. Dra ur sladden till verktyget när det inte används, innan delar av verktyget, tillbehör eller tillsatser byts och före service.

16. Ta bort inställningsnycklar och justerverktyg

Kontrollera alltid att inställningsnycklar och justerverktyg har tagits bort från verktyget innan verktyget används.

17. Undvik oavsiktlig start

Flytta inte verktyget med ett finger på strömbrytaren. Se till att verktyget är avstängt innan du sätter i sladden.

18. Använd förlängningssladdar för utomhusbruk

Kontrollera sladden innan du använder den och byt ut den om den är skadad. Använd endast förlängningssladdar som är godkända och märkta för utomhusbruk när du använder verktyget utomhus.

19. Var uppmärksam

Var uppmärksam, fokusera på det du gör, använd elverktyget med förnuft och använd inte verktyget när du är trött.

20. Kontrollera om det finns skadade delar

Kontrollera noga att verktyget och nätsladden är hela innan du använder dem. Kontrollera att rörliga komponenter fungerar felfritt och inte kärvar, att inga komponenter är trasiga, att skydd och reglage inte har skadats och att inget annat föreligger som kan påverka verktygets funktion. Försäkra dig om att verktyget fungerar som det ska och kan användas för sitt avsedda ändamål. Använd inte verktyget om någon del har skadats eller gått sönder. Använd inte verktyget om det inte går att starta och stänga av det med strömbrytaren. Låt en auktoriserad Black & Decker-verkstad reparera eller byta ut skadade eller trasiga delar. Försök aldrig att reparera verktyget själv.

21. Varning!

Användning av andra tillbehör eller tillsatser eller användning av det här verktyget som inte rekommenderas i den här bruksanvisningen kan leda till personskadorna.

22. Lämna in verktyget för reparation hos en utbildad reparatör

Det här verktyget uppfyller alla relevanta säkerhetsföreskrifter. Lämna in verktyget för reparation på en auktoriserad Black & Decker-verkstad. Reparationer ska bara utföras av kvalificerade personer som använder originaldelar. Annars kan användaren utsättas för stor fara.

Extra säkerhetsföreskrifter för kapar

- ◆ Använd alltid vanliga arbetshandskar när det här verktyget används.
- ◆ Håll händerna borta från kapklingan. Kapa aldrig arbetsstycken som kräver att händerna är närmare än 15 cm från den roterande klingan.
- ◆ Kapa aldrig arbetsstycken som är mindre än 1,2 mm tjocka när klingan som medföljer det här verktyget används.
- ◆ Använd inte verktyget utan skydden på plats.
- ◆ Utför inte något arbete på frihand. Använd tvingar för att hålla arbetsstycket på plats.
- ◆ För aldrig in händerna bakom klingan.
- ◆ Placera alltid verktyget på en plan, stabil yta som är i ordning och fri från löst material, t.ex. flisor och avkapade bitar.

- ◆ Kontrollera att klingan inte har sprickor eller defekter före användning. Kassera klingan om du upptäcker en spricka eller defekt.
- ◆ Se till att klingan inte ligger an mot arbetsstycket innan du startar verktyget.
- ◆ Undvik att klingan studsar eller används ovarsamt. Om detta inträffar ska du stänga av verktyget och inspektera klingan.
- ◆ Använd inte verktyget när du står i linje med klingan. Håll andra personer borta från arbetsområdet.
- ◆ Se upp för flisor och material som kapas. De kan vara vassa och varma. Låt avkapade delar svalna innan de hanteras.
- ◆ Gnistskyddet blir varmt vid användning. Undvik att röra vid eller justera gnistskyddet direkt efter användning.
- ◆ Stäng alltid av verktyget och vänta tills klingan har stannat innan du flyttar arbetsstycket eller ändrar inställningarna.
- ◆ Försök aldrig att stoppa klingan genom att trycka mot klingans sida efter avstängning.
- ◆ Använd inte skärvätskor. Sådana vätskor kan antändas eller orsaka elektriska stötar.
- ◆ Kontrollera att arbetsstycket har tillräckligt stöd.
- ◆ Använd endast de klingor som rekommenderas av tillverkaren. Använd aldrig cirkelsågs klingor eller andra typer av tandade klingor.
- ◆ Den maximalt tillåtna hastigheten på klingan måste alltid vara lika med eller större än tomgångshastigheten för verktyget som anges på typskylten.
- ◆ Använd inte klingor som inte överensstämmer med de dimensioner som anges i den tekniska specifikationen.
- ◆ Kontrollera att klingan är korrekt monterad före användning.
- ◆ Kör verktyget på tomgång i ett säkert läge i minst 30 sekunder. Stoppa verktyget om det uppstår stora vibrationer eller någon annan defekt och kontrollera vad orsaken är.
- ◆ Använd inte klingor för kantslipning.
- ◆ Kapa inte betong, tegelsten, klinker eller keramiskt material.
- ◆ Kapa inte trä, plast eller syntetiskt material.
- ◆ Kapa inte gjutjärnsmaterial.
- ◆ Kapa aldrig magnesiummaterial.
- ◆ Kapa inte material som är strömförande.
- ◆ Använd verktyget på platser med god ventilation. Använd inte verktyget i närheten av brandfarliga vätskor, gaser eller damm. Gnistor eller varma filspån från kapningen eller ljusbågar från motorn kan antända brännbart material.
- ◆ Rengör regelbundet ventilationsöppningarna när du arbetar i dammiga miljöer. Kom ihåg att dra ur sladden till verktyget först om det skulle bli nödvändigt att rengöra öppningarna.

- ◆ Förvara alltid klingor på ett säkert och torrt ställe, utom räckhåll för barn.
- ◆ **Varning!** När det här verktyget används kan det genereras damm som innehåller kemikalier som är kända för att orsaka cancer, fosterskador eller andra reproduktionsskador. Använd lämpligt andningsskydd.



Varning! Använd endast en klinga med en maximal tjocklek på 3 mm och en maximal diameter på 355 mm.

Varning!

Sågklingan fortsätter att rotera en kort stund efter att du har stängt av verktyget.

- ◆ Använd endast förstärkta klingor märkta för 4 300 v/min eller högre.
- ◆ Bär alltid skyddsglasögon, använd skydd, fast arbetsstycket i skruvstycket och använd lämpligt andningsskydd.

Följande faktorer påverkar ljudnivån:

- ◆ vilket material som kapas
- ◆ vilken typ av klinga som används
- ◆ matningskraften
- ◆ **Varning!** Vidta lämpliga åtgärder för att skydda din hörsel.

Övriga risker

Användningen av sådana här maskiner medför följande risker:

- ◆ skador som orsakas av att roterande delar vidrörs
- ◆ skador som orsakas av att klingan fastnar

Dessa risker är mest uppenbara:

- ◆ inom arbetsområdet
 - ◆ i närheten av roterande maskindelar
- Trots att alla relevanta säkerhetsföreskrifter följs och säkerhetsanordningar används kan vissa ytterligare risker inte undvikas. Dessa är:
- ◆ Skador på hörseln.
 - ◆ Risk för olyckor som orsakas av de oskyddade delarna av den roterande klingan.
 - ◆ Risk för skador när klingan byts.
 - ◆ Risk för att klämma fingrarna när skydden öppnas.

Elsäkerhet



Eftersom verktyget är dubbelsolerat behövs ingen jordledare. Kontrollera alltid att nätspänningen överensstämmer med värdet på typskylten. Försök aldrig byta ut kontakten till ledaren mot en vanlig kontakt.

- ◆ Om nätsladden är skadad måste den bytas ut av tillverkaren eller en auktoriserad Black & Decker-verkstad för att undvika fara.

Spänningsfall

Nätbelastningar kan försaka momentana spänningsfall. Vid ogynnsamma nätförhållanden kan annan utrustning påverkas. Om nätimpedansen är lägre än 0.12 Ω, Om nätimpedansen är lägre än

Varningssymboler

Följande varningssymboler finns på verktyget:



Varning! Läs bruksanvisningen före användning för att minska risken för olyckor.



Bär alltid skyddsglasögon.



Bär alltid hörselskydd.

Funktioner

Detta verktyg har några eller samtliga av följande funktioner.

- Låskedja
- Gnistskyddsskruv
- Gnistskydd
- Bas
- Anslag
- Skruvstycke
- Platt justerverktyg
- Vev
 - Skruvstyckets handtag
- Klinga
- Skydd
- Spindellås
- Djupstopp och låsmutter
- Strömbrytare
- Hål för hänglås
- Anslagsskruvar

Montering

Varning! Stäng av och dra ur sladden till verktyget innan inställningar utförs eller tillbehördelar eller tillsatser byts ut eller ansluts. Kontrollera att strömbrytaren är i läget OFF (av). Gör inga inställningar medan klingan snurrar.

Ta bort och sätta dit en klinga (fig. 7 – FIG 8)

- ◆ Tryck in spindellåset (L).
- ◆ Roter klingan (J) tills den låses på plats.
- ◆ Lossa bulten (S) genom att skruva moturs med hjälp av det platta justerverktyget (G) och ta sedan bort brickan (T) och hållarbrickan (U).
- ◆ Kontrollera att distansbrickan (R) sitter på plats mot hållarbrickan.
- ◆ Byt ut klingan (J). Se till att den nya klingan placeras på

distanbrickan (R) i rätt rotationsriktning.

- ◆ Fäst klingan med hållarbrickan (U), brickan (T) och skruven (S).
- ◆ Tryck in spindellåset (L).
- ◆ Roterar klingan (J) tills den läses på plats.
- ◆ Dra åt skruven (S) genom att skriva medurs med hjälp av det platta justerverktyget (G).
- ◆ Flytta tillbaka skyddet och frigör spindellåset (L).
- ◆ Justera skärdjupet till önskat djup.

Justera skärdjupet (fig. 1)

Skärdjupet kan anpassas utifrån slitaget på klingan.

- ◆ Prova med verktyget avstängt och kontrollera spelrummet.
- ◆ Gör följande om justering behövs:
- ◆ Lossa låsmuttern (M) några varv.
- ◆ Vrid djupstoppet (M) in eller ut för att uppnå önskat skärdjup.
- ◆ Dra åt låsmuttern (M).

Varning! Justera alltid djupstoppet till ursprungsläget när klingan byts ut.

Fästa arbetsstycket i rätt läge (fig. 2 – fig. 4)

Verktyget är utrustat med ett skruvstycke (F).

- ◆ Dra hållaren (I) mot handtaget (H).
- ◆ Tryck skruvstycket (F) framåt tills öppningen nästan rör vid arbetsstycket.
- ◆ Tryck hållaren (I) mot öppningen tills det kommer i kontakt med klohållaren.
- ◆ Roterar handtaget (H) medurs och kläm fast arbetsstycket ordentligt.
- ◆ Frigör arbetsstycket genom att rotera handtaget (H) moturs.
- ◆ Placera ett distansblock under arbetsstycket om du vill öka kapningskapaciteten. Distansblocket ska vara något smalare än arbetsstycket.

Varning! Stötta långa arbetsstycken med en träbit. Kläm inte fast den avkapade änden.

Snabbspärr (fig. 4)

Det finns en snabbspärr för transport på tvingen.

- ◆ Frigör tvingen genom att rotera handtaget (H) ett eller två varv moturs och dra hållaren (I) mot handtaget (H).

Ställa in tvingläge (fig. 5)

Tvingläget kan anpassas så att det överensstämmer med klingan.

- ◆ Lossa anslagsskruvarna (P) med hjälp av det platta justerverktyget (G).
- ◆ Flytta anslaget (E) så mycket som behövs.
- ◆ Sätt tillbaka anslagsskruvarna (P) och dra åt dem för att låsa fast anslaget (E).

Justera skärvinkeln (fig. 6)

Verktyget kan användas för geringar på upp till 45°.

- ◆ Lossa anslagsskruvarna (P) för att frigöra anslaget (E).
- ◆ Placera anslaget (E) i önskad vinkel. Vinkeln kan avläsas på skalan (Q).
- ◆ Dra åt anslagsskruvarna (P) för att låsa fast anslaget (E).

Kontrollera och justera geringsskalan (fig. 6)

- ◆ Lossa anslagsskruvarna (P) för att frigöra anslaget (E).
- ◆ Dra ned armen och läs den i det här läget genom att sätta fast låskedjan (A).
- ◆ Placera ett vinkeljärn mot anslaget (E) och den vänstra sidan av klingan så att en perfekt vinkel på 90° skapas. Kontrollera att 0°-markeringen på skalan (Q) är i linje med markeringen på basen (D).
- ◆ Dra åt anslagsskruvarna (P) för att låsa fast anslaget (E).
- ◆ Ta bort låskedjan (A) och för tillbaka armen till det övre viloläget.

Justera gnistskyddet (fig. 1)

- ◆ Lossa skruven (B).
- ◆ Justera gnistskyddet (C) på lämpligt sätt.
- ◆ Dra åt skruven (B).

Användning

Varning! Följ alltid säkerhetsinstruktionerna och gällande föreskrifter.

Varning! Tryck inte för hårt på verktyget.

Varning! Undvik överbelastning. Om verktyget blir varmt ska du låta det gå några minuter på tomgång.

Kapningskapacitet

Den breda skruvstyckesöppningen och höga svängpunkten gör att många stora stycken kan kapas. Använd diagrammet för kapningskapacitet för att fastställa vilken den maximala storleken är på kapningar som kan göras med en ny klinga.

Försiktighet: För vissa stora, runda eller oregelbundet formade objekt kan det krävas ytterligare fästanordningar om de inte kan hållas på plats ordentligt i skruvstycket.

Försiktighet: Kapa inte magnesium med det här verktyget.

Maximal kapningskapacitet

Obs! Kapaciteten som visas i diagrammet förutsätter att klingan inte är sliten och att anslaget är optimalt placerat.

Form på arbetsstycke				
90° kapvinkel	A = 4-7/8" (125 mm)	A = 4-1/2" (115 mm)	4-1/2" x 5-1/8"(115 mm x 130 mm)4" x 7-5/8"(115 mm x 130mm)3" x 7-3/8"(115 mm x 130 mm)	A = 4-1/2" x 5-3/8" (115 mm x 137 mm)
45° kapvinkel	A = 4-1/2" (115 mm)	A = 3-13/16" (98 mm)	4-1/2" x 3-13/16"4-1/8" x 3-3/4"(105 mm x 95 mm)	A = 3-13/16" 3-3/4" (95 mm)

Före användning:

- ◆ Montera en lämplig klinga. Använd inte mycket slitna klingor. Verktygets maximala rotationshastighet får inte överskrida klingans hastighet.
- ◆ Kontrollera att klingan roterar i samma riktning som pilarna på tillbehöret och verktyget.
- ◆ Fäst arbetsstycket.
- ◆ Ställ alltid in gnistskyddet på korrekt sätt.

Starta och stänga av (fig. 1) Strömbrytaren (N) är placerad på handtaget.

- ◆ Starta verktyget genom att trycka in strömbrytaren (N).
- ◆ Håll strömbrytaren intryckt medan du använder verktyget.
- ◆ När du vill stoppa verktyget släpper du strömbrytaren (N).

Varning! Slå inte på eller stäng av verktyget när det är belastat.

Varning! Förhindra att verktyget används av obehöriga genom att sätta fast ett vanligt hänglås (ingår ej) i hålet för hänglås (O) som finns på strömbrytaren.



Varning! Kapa inte magnesium.

Kontakta din återförsäljare för mer information om lämpliga tillbehör.

Kapa (fig. 1)

- ◆ Placera materialet som ska kapas mot anslaget (E) och fäst det med hjälp av skruvstycket (F).
- ◆ Sätt på verktyget och för ned handtaget för att kapa arbetsstycket. Låt motorn komma upp i full hastighet innan du kapar.
- ◆ Låt klingan kapa fritt. Använd inte tryck.
- ◆ Stäng av verktyget när kapningen är klar och för tillbaka armen till det övre viloläget.

Transportera verktyget (fig. 1)

Verktyget är utrustat med en låskedja (A) som låser verktyget i stängt läge när det ska flyttas.

Varning! Se till att verktyget är avstängt och att sladden är utdragen ur vägguttaget innan du transporterar det.

- ◆ Sänk skyddet (K) mot kapningsbordets bas (D) och fäst verktyget i det här läget genom att fästa kedjan i kroken på handtaget.
- ◆ Transportera alltid verktyget i bärhandtagen.
- ◆ Frigör verktyget genom att trycka ned handtaget något och lossa låskedjan (A).

Underhåll

Det här Black & Decker-verktyget (med eller utan sladd) är konstruerat för att fungera under lång tid med minsta möjliga underhåll. Med rätt underhåll och regelbunden rengöring behåller apparaten/verktyget sin funktion.

Varning! Innan du utför underhåll på apparater/verktyg med eller utan sladd.

- ◆ Slå av apparaten och ta ur batteriet.
- ◆ Håll ventilationsöppningarna rena och rengör regelbundet höljet med en mjuk trasa.
- ◆ Använd aldrig slipande rengöringsmedel.

Kontroll och byte av motorborstar (fig. 9)

Varning! Stäng av verktyget och dra ur nätkontakten.

Kontrollera att strömbrytaren är i läget OFF (av).

Kontrollera regelbundet om borstarna är slitna. Kontrollera borstarna genom att ta bort borsthöljet (W). Borstarna (V) ska glida fritt i borsthuset. Om borstarna är nedslitna till 0,3" (8 mm) som i figur 9 ska de bytas ut.

Montera en ny borste genom att trycka in den i borsthuset. Sätt in nya borstar i samma riktning som när borsten togs bort. Sätt tillbaka borsthöljet (skruva inte åt det för hårt).

Rengöring

Det rekommenderas att damm och smuts blåses ur från maskinhuset med hjälp av tryckluft och detta kan göras så snart damm ansamlas i och runt ventilationsöppningarna. Använd alltid lämpliga skyddsglasögon och andningsskydd.

Reparationer

SÄKERHETEN och PÅLITLIGHETEN säkerställs genom att auktoriserade verkstäder eller andra kvalificerade serviceanläggningar utför reparationer, underhåll och inställningar, och att identiska reservdelar alltid används.

Smörjning

Helkapslade, livstidsmorda och tätade kullager används genomgående. Dessa kullager har tillförts tillräckligt med smörjfett vid tillverkningen för att det ska räcka under kapens livslängd.

Tillbehör

Försiktighet! Det kan vara farligt att använda tillbehör som inte är rekommenderade för användning med detta verktyg. Använd endast härdade klingor av typ 1 med organisk bindning som är märkta för 4 300 v/min eller högre. Rekommenderade tillbehör som kan användas med verktyget finns att köpa till en extra kostnad hos din lokala återförsäljare eller en auktoriserad verkstad.

Miljö



Separat insamling. Produkten får inte kastas i hushållssoptorna.

Tänk på miljön när du slänger denna Black & Decker-produkt. Släng den inte tillsammans med hushållsavfallet. Lämna produkten för separat insamling.



Insamling av uttjänta produkter och förpackningsmaterial gör att material kan återanvändas. Användning av återvunnet material minskar föroreningar av miljön och behovet av råmaterial.

Lokala föreskrifter kan kräva separat insamling av elprodukter från hushållen, vid kommunala insamlingsplatser eller hos återförsäljaren när du köper en ny produkt.

Black & Decker samlar in och återvinner uttjänta Black & Decker-produkter. Om du vill utnyttja denna tjänst återlämnar du produkten till en auktoriserad verkstad, som samlar in den för vår räkning.

För information om närmaste auktoriserade verkstad, kontakta det lokala Black & Decker-kontoret på den adress som är angiven i bruksanvisningen. En lista över alla auktoriserade Black & Decker-verkstäder samt servicevillkor finns på Internet: www.2helpU.com

Tekniska data

		CS355 (Typ 1)
Spänning	V _{ac}	230
Ineffekt	W	2,300
Tomgångshastighet	min ⁻¹	3,800
Min. periferhastighet för klinga	m/s	80
Bladdiameter	mm	355
Bladhäl	mm	25.4
Klingans tandbredd	mm	3
Typ av klinga	Rak, inte försäkrat	
Kapningskapacitet vid 90°		
Rund	mm	125
Fyrkant	mm	115
Rektangel	mm	115 x 130
Vinklad	mm	137 x 137
Kapningskapacitet vid 45°		
Rund	mm	115
Fyrkant	mm	98 x 98
Rektangel	mm	105 x 95
Vinklad	mm	95 x 95
Vikt	kg	18

		CS355 (Typ 1)
LpA (ljudnivå)	dB(A)	93,1
Osäkerhet (K)	dB(A)	3
LWA (ljudeffektnivå)	dB(A)	105,3
Osäkerhet (K)	dB(A)	3
Vibrationer ah	m/s ²	6,46
Osäkerhet (K)	m/s ²	1.5

EG-deklaration om överensstämmelse

MASKINDIREKTIV



CS355

Black & Decker garanterar att produkterna som beskrivs under "Tekniska data" uppfyller:

2006/42/EG, EN61029-1, EN61029-2-10

Mer information får du genom att kontakta Black & Decker på följande adress eller se slutet av bruksanvisningen.

Undertecknad är ansvarig för sammanställningen av tekniska data och gör denna försäkran för Black & Decker.

Kevin Hewitt
Vice-President Global Engineering
Black & Decker Europe, 210 Bath Road, Slough,
Berkshire, SL1 3YD
Storbritannien
27/05/2010

Garanti

Black & Decker garanterar att produkten är fri från material- och/eller fabriktionsfel vid leverans till kund. Garantin gäller utöver konsumentens rättigheter enligt lag och påverkar inte dessa. Garantin gäller inom medlemsstaterna i Europeiska Unionen och i det Europeiska Frihandelsområdet.

Om en Black & Decker-produkt går sönder på grund av material- och/eller fabriktionsfel eller brister i överensstämmelse med specifikationen, inom 24 månader från köpet, åtar sig Black & Decker att reparera eller byta ut produkten med minsta besvär för kunden, förutom om:

- ◆ Produkten har använts i kommersiellt eller yrkesmässigt syfte eller i uthyrningssyfte.
- ◆ Produkten har utsatts för felaktig användning eller skötsel.
- ◆ Produkten har skadats av främmande föremål, ämnen eller genom olyckshändelse.
- ◆ Reparation har utförts av någon annan än en auktoriserad Black & Decker-verkstad.

Vid garantianspråk ska produkten och inköpskvittot lämnas till återförsäljaren eller till en auktoriserad verkstad. För information om närmaste auktoriserade verkstad, kontakta det lokala Black & Decker-kontoret på den adress som är angiven i bruksanvisningen. En lista över alla auktoriserade Black & Decker-verkstäder samt servicevillkor finns på Internet: www.2helpU.com

Besök vår webbplats www.blackanddecker.se för att registrera din nya Black & Decker-produkt samt för att erhålla information om nya produkter och specialerbjudanden. Vidare information om märket Black & Decker och vårt produktsortiment återfinns på www.blackanddecker.se Bruksområde

Kuttesagen fra Black & Decker er konstruert for kutting av stålmaterialer med ulik form. Produktet er beregnet bare for konsumentbruk.

Sikkerhetsinstruksjoner

Generelle sikkerhetsadvarsler for elektroverktøy



Advarsel! Når du bruker elektroverktøy, må du alltid følge sikkerhetsbestemmelsene i landet ditt, så du reduserer risikoen for brann, elektrisk støt og personskade.

- ◆ Les hele håndboken nøye før du bruker produktet.
- ◆ Beregnet bruk er beskrevet i denne håndboken. Hvis du bruker annet tilbehør, kobler til annet utstyr eller bruker dette produktet til andre oppgaver enn det som er anbefalt i denne håndboken, kan det føre til fare for personskade.
- ◆ Ta vare på denne håndboken for fremtidig bruk.

1. Hold arbeidsområdet rent

Rotele områder og benker kan føre til ulykker.

2. Ta hensyn til forholdene i arbeidsområdet

Ikke utselt verktøyet for regn. Ikke bruk verktøyet hvis det er fuktig eller vått. Hold arbeidsområdet godt opplyst (250–300 lux). Ikke bruk verktøyet der det er fare for at det kan forårsake brann eller eksplosjon, for eksempel der det finnes brennbare væsker og gasser.

3. Vern mot elektrisk støt

Unngå at kroppen kommer i kontakt med jordede overflater (for eksempel rør, radiatorer, komfyrer og kjøleskap). Når du bruker verktøyet under svært vanskelige forhold (for eksempel høy fuktighet, når det dannes metallspen osv.), Strømsikkerheten kan forbedres ytterligere ved bruk av jordfeilbryter på 30 mA med høy følsomhet (RCD).

4. Hold andre personer unna

Ikke la personer, og spesielt barn, som ikke deltar i arbeidet, berøre verktøyet eller skjøteledningen, og hold dem borte fra arbeidsområdet.

5. Sett bort verktøy som ikke er i bruk

Når verktøyet ikke er i bruk, skal det oppbevares på et tørt sted og være sikkert innlåst utilgjengelig for barn.

6. Ikke bruk makt på verktøyet

Det fungerer bedre og sikrere med den farten det er beregnet for.

7. Bruk riktig verktøy

Ikke press et lite verktøy til å gjøre en jobb som krever et kraftig verktøy. Ikke bruk verktøy til formål de ikke er beregnet for. For eksempel skal du ikke bruke sirkelsager til å kutte tregrener eller stokker.

8. Bruk egnede klær

Ikke bruk løstsittende klær eller smykker, for disse kan bli sittende fast i bevegelige deler. Dekk til håret for å holde langt hår unna. Når du arbeider utendørs, bør du bruke passende hansker og sklisikkert fottegg.

9. Bruk verneutstyr

Bruk alltid vernebriller. Bruk ansiktsmaske eller støvmaske når aktivitetene kan føre til støv eller flygende partikler. Hvis disse partiklene kan være svært varme, må du også bruke et varmebestandig forkle. Bruk alltid hørselvern. Bruk alltid vernehjelm.

10. Koble til støvfjerningsutstyr

Hvis det kan monteres støvavsug- og oppsamlingsinnretninger, må du forvisse deg om at disse er tilkoblet og brukes på riktig måte.

11. Unngå uforvarlig behandling av ledningen

Ikke bær verktøyet i ledningen. Du må aldri dra i ledningen for å ta nettstøpslet ut av stikkkontakten. Hold ledningen borte fra varmekilder, olje og skarpe kanter.

12. Sikre arbeidsstykket

Bruk klemmer eller en skrustikke til å feste arbeidsstykket. Det er sikrere, og du kan bruke begge hender til å betjene verktøyet.

13. Ikke strekk deg for langt

Pass på at du alltid har sikkert fotfeste og god balanse.

14. Vær nøye med vedlikeholdet av verktøy

Hold kutteverktøy skarpe og rene så de yter mer og er sikrere. Følg anvisningen for smøring og utskifting av tilbehør. Kontroller ledningene til verktøyet regelmessig, og få dem reparert ved et godkjent serviceverksted hvis de er skadet. Kontroller skjøteledninger regelmessig og bytt dem hvis de er skadet. Hold håndtakene tørre og rene, og pass på at det ikke kommer olje og fett på dem.

15. Koble fra verktøyet

Slå av verktøyet og vent til det stanser helt før du forlater det uten tilsyn. Ta ut nettstøpslet til verktøyet når det ikke er i bruk, før du bytter verktøydeler eller tilbehør og før vedlikehold.

16. Fjern justeringsnøkler

Kontroller alltid at justeringsnøkler er fjernet fra verktøyet før det brukes.

17. Unngå utilsiktet start

Ikke bær verktøyet med en finger på bryteren. Sørg for at verktøyet er slått av før du setter i nettstøpslet.

18. Bruk skjøteledninger beregnet for utendørs bruk

Før bruk må du undersøke skjøteledningen og bytte den hvis den er skadet. Når du bruker verktøyet utendørs, må du bare bruke skjøteledninger som er godkjent for utendørs bruk og er merket i samsvar med dette.

19. Vær oppmerksom

Pass på hva du gjør, bruk sunn fornuft og ikke bruk verktøyet når du er trett.

20. Kontroller om deler er skadet

Før du bruker verktøyet, må du kontrollere omhyggelig at verktøyet og nettleddingen ikke er skadet. Kontroller at bevegelige deler ikke er ute av posisjon og ikke klemmes fast, at deler, inkludert vern eller brytere, ikke er skadet, og at det ikke er andre forhold som kan virke inn på funksjonen. Forsikre deg om at verktøyet fungerer riktig og utfører funksjonen det er beregnet for. Ikke bruk verktøyet hvis en del er skadet eller defekt. Ikke bruk verktøyet hvis bryteren ikke slår det av eller på. Overlat reparasjon eller utskifting av skadde eller defekte deler til et autorisert Black and Decker-serviceverksted. Ikke prøv å utføre en reparasjon selv.

21. Advarsel!

Bruk av tilbehør eller utføring av oppgaver som ikke er anbefalt for verktøyet i denne håndboken, kan medføre fare for personskade.

22. La en kvalifisert person reparere verktøyet

Dette verktøyet oppfyller relevante sikkerhetsbestemmelser. La et autorisert Black and Decker-serviceverksted reparere verktøyet. Reparasjoner må bare utføres av kvalifiserte personer som benytter originale reservedeler, ellers kan det være svært farlig for brukeren.

Ytterligere sikkerhetsinstruksjoner for kuttesager

- ◆ Bruk alltid vanlige arbeidshansker mens du bruker dette verktøyet.
- ◆ Hold hendene borte fra kutteskiven. Kutt aldri arbeidsstykker som krever bruk av hendene nærmere enn 15 cm fra den roterende kutteskiven.
- ◆ Du må aldri kutte arbeidsstykker med tykkelse mindre enn 1,2 mm når du bruker kuttskiven som følger med dette verktøyet.
- ◆ Ikke bruk dette verktøyet hvis ikke verneinnretningene er på plass.
- ◆ Ikke utfør operasjoner på frihånd. Bruk materialklemmen til å feste arbeidsstykket godt.
- ◆ Før aldri hånden inn bak kutteskiven.
- ◆ Plasser alltid verktøyet på en plan, stabil overflate som er godt vedlikeholdt og fri for løse materialer, for eksempel spon og avkuttete biter.

- ◆ Før bruk må du kontrollere kutteskiven for sprekker eller feil. Ikke utfør kuttingen hvis kutteskiven har en sprekk eller feil.
- ◆ Pass på at kutteskiven ikke kommer i kontakt med arbeidsstykket før verktøyet blir slått på.
- ◆ Under bruk må du unngå støt med kutteskiven og ikke behandle den røft. Hvis dette skjer, må du stoppe verktøyet og undersøke kutteskiven.
- ◆ Ikke bruk verktøyet mens du står på linje med kutteskiven. Hold andre personer borte fra arbeidsområdet.
- ◆ Vær oppmerksom på kuttespon og materialet som blir kuttet. De kan være skarpe og varme. La avkuttete deler bli avkjølt før du håndterer dem.
- ◆ Gnistavviseren blir varm under bruk. Unngå å berøre eller justere gnistavviseren straks etter bruk.
- ◆ Slå av verktøyet og vent til kutteskiven har stoppet før du flytter arbeidsstykket eller endrer innstillingene.
- ◆ Når du har slått av, må du aldri forsøke å stoppe kutteskiven ved å trykke mot siden av skiven.
- ◆ Ikke bruk skjærevæsker. Disse væskene kan ta fyr eller forårsake elektrisk støt.
- ◆ Kontroller at arbeidsstykket har god støtte.
- ◆ Bruk bare kutteskiver som er anbefalt av produsenten. Bruk aldri sirkelsagblader eller andre typer blader med tenner.
- ◆ Maksimal tillatt hastighet på kutteplaten må alltid være større enn eller lik hastigheten uten belastning for verktøyet som angitt på typeskiltet.
- ◆ Ikke bruk kutteskiver som ikke er i samsvar med dimensjonene som er angitt under tekniske data.
- ◆ Kontroller at kutteskiven er montert riktig før bruk.
- ◆ La verktøyet gå uten belastning i en sikker posisjon i minst 30 sekunder. Hvis det er betydelig vibrasjon, eller det forekommer en annen defekt, må du stoppe verktøyet for å fastslå årsaken.
- ◆ Ikke bruk kutteplater til sidesliping.
- ◆ Ikke kutt betong, murstein eller keramiske materialer.
- ◆ Ikke kutt tre, plast eller syntetiske materialer.
- ◆ Ikke kutt materialer av støpejern.
- ◆ Ikke kutt magnesiummaterialer.
- ◆ Ikke kutt strømførende materialer.
- ◆ Verktøyet skal bare brukes på steder med god ventilasjon. Ikke bruk verktøyet i nærheten av brennbare væsker eller gasser eller brennbar støv. Gnister eller varme spon fra kuttingen eller gnister fra motorbørstene kan antenne brennbar materiale.
- ◆ Tøm ventilasjonssporene regelmessig når du arbeider under støvete forhold. Hvis det blir nødvendig å rengjøre sporene, må du huske å trekke ut nettstøpelet til verktøyet først.
- ◆ Oppbevar alltid kutteskivene godt beskyttet og på et tørt sted utilgjengelig for barn.

- ◆ **Advarsel!** Bruk av dette verktøyet kan føre til støv som inneholder kjemikalier som kan forårsake kreft, fødselsdefekter eller annen forplantningsskade. Bruk passende åndedrettsbeskyttelse.



Advarsel! Bruk bare kutteskiver med maksimal tykkelse 3 mm og maksimal diameter 355 mm.

Advarsel!

Kutteskiven fortsetter å rotere etter at verktøyet er slått av.

- ◆ Bruk bare forsterkede skiver normert til 4300 o/min eller mer.
- ◆ Bruk alltid øyenbeskyttelse, bruk verneinnretninger, fest arbeidsstykket i skrustikke, og bruk tilfredsstillende åndedrettsbeskyttelse.

Følgende faktorer påvirker støvproduksjonen:

- ◆ materialet som skal kuttes
- ◆ typen kutteskive
- ◆ matingskraften
- ◆ **Advarsel!** Treff passende tiltak for å beskytte hørselen.

Andre former for risiko

Risikoene nedenfor følger med bruken av disse maskinene:

- ◆ personskader som forårsakes av berøring av de roterende delene
- ◆ personskader som forårsakes av at kutteskiven går i stykker

Disse risikoene er mest fremtredende:

- ◆ innenfor bruksområdet
 - ◆ innenfor området til de roterende maskindelene
- Selv om de relevante sikkerhetsbestemmelsene blir fulgt, og sikkerhetstiltakene blir gjennomført, kan visse gjenværende risikoer ikke unngås. De er:
- ◆ Svekket hørsel.
 - ◆ Risiko for ulykker som forårsakes av ikke tildekkede deler av den roterende kutteskiven.
 - ◆ Risiko for skade ved bytte av skive.
 - ◆ Risiko for å klemme fingre ved åpning av verneinnretningene.

Elektrisk sikkerhet



Verktøyet er dobbeltisolert. Jording er derfor ikke nødvendig. Kontroller alltid at nettspenningen er i overensstemmelse med spenningen på typeskiltet. Proov aldri å skifte ut laderen med et vanlig nettstøpsel.

- ◆ Hvis strømledningen blir skadet, må den skiftes av produsenten eller et autorisert Black & Decker-servicenter for å unngå fare.

Advarselssymboler

Spenningsfall

Innkopplingsstrømstøtene forårsaker korte spenningsfall. Ved ugunstig kraftforsyning, kan dette innvirke på annet utstyr. Hvis kraftforsyningens vekselstrømsmotstandssystem er lavere enn 0.12 Ω, er det lite sannsynlig at det vil forekomme forstyrrelser.

Du finner følgende advarselssymboler på verktøyet:



Advarsel! Brukeren må lese håndboken for å redusere risikoen for personskade.



Bruk alltid vernebriller.



Bruk alltid hørselvern.

Funksjoner

Dette verktøyet inneholder enkelte av eller alle funksjonene nedenfor.

- Låsekjede
- Gnistavviserskrue
- Gnistavviser
- Fot
- Gjerde
- Skrustikke
- Fastnøkkel
- Sveiv
- Skrustikkekobling
- Kutteskive
- Vern
- Spindellås
- Dybdestoppskrue og låsemutter
- Utløserbryter
- Hull til hengelås
- Gjerdeskruer

Montering

Advarsel! Skru verktøyet av og trekk nettstøpelet ut av stikkkontakten før du utfører noen justeringer eller fjerner eller monterer tilbehør. Kontroller at utløserbryteren er i stillingen OFF (AV). Ikke utfør justeringer mens skiven beveger seg.

Fjerne og montere en kutteskive (figur 7 og 8)

- ◆ Trykk inn spindellåsen (L).
- ◆ Drei kutteskiven (J) til den låses.
- ◆ Bruk fastnøkkel (G) og ta ut skruen (S) ved å skru mot klokken og deretter fjerne stoppskiven (T) og festeplensen (U).
- ◆ Kontroller at avstandsstykket (R) er på plass mot flensen.
- ◆ Bytt kutteskiven (J). Kontroller at den nye skiven er plassert på avstandsstykket (R) i korrekt rotasjonsretning.

- ◆ Fest skiven med festeflensen (U), stoppskiven (T) og skruen (S).
- ◆ Trykk inn spindellåsen (L).
- ◆ Drei kutteskiven (J) til den låses.
- ◆ Bruk fastnøkkelen (G) og stram skruen (S) ved å skru den med klokken.
- ◆ Flytt vernet tilbake ned og utløs spindellåsen (L).
- ◆ Juster kuttedybden etter behov.

Justere kuttedybden (figur 1)

Kuttedybden kan justeres så den passer med slitasken av kutteskiven.

- ◆ Gjør en prøve med verktøyet avslått og kontroller klaringen.
- ◆ Hvis det er nødvendig å justere, går du frem slik:
- ◆ Løsne låsemutteren (M) noen få omdreininger.
- ◆ Skru dybdestoppskruen (M) inn eller ut for å oppnå den nødvendige kuttedybden.
- ◆ Stram låsemutteren (M).

Advarsel! Juster alltid dybdestopp til sin opprinnelige posisjon når du bytter kutteskiven.

Klemme fast arbeidsstykket i posisjon (figur 2–4)

Verktøyet er utstyrt med en skrustikke (F)

- ◆ Trekk koblingen (I) mot håndtaket (H).
- ◆ Skyv skrustikken (F) fremover til kjeven nesten berører arbeidsstykket.
- ◆ Trykk koblingen (I) mot kjeven til den griper i klemmeakselen.
- ◆ Drei håndtaket (H) med klokken og klem arbeidsstykket godt fast.
- ◆ Når du skal løsne arbeidsstykket, dreier du håndtaket (H) mot klokken.
- ◆ Når du vil øke kuttekapasiteten, plasserer du et avstandsstykke under arbeidsstykket. Avstandsstykket bør være litt smalere enn arbeidsstykket.

Advarsel! Støtt lange arbeidsstykker med et stykke tre. Ikke klem fast enden som skal kuttes av.

Funksjon for rask bevegelse (figur 4)

Klemmen har en funksjon for rask bevegelse.

- ◆ Når du skal utløse klemmen, dreier du håndtaket (H) én eller to omdreininger mot klokken og trekker koblingen (I) mot håndtaket (H).

Stille inn klemmeposisjon (figur 5)

Klemmeposisjonen kan stilles inn så den passer med kutteskiven.

- ◆ Ta ut gjerdeboltene (P) med fastnøkkelen (G).
- ◆ Flytt gjerdet (E) etter behov.
- ◆ Sett på plass gjerdeboltene (P) igjen og stram dem for å låse gjerdet (E).

Justere kuttevinkelen (figur 6)

Verktøyet kan brukes til gjerdingskutt opptil 45°.

- ◆ Løsne gjerdeboltene (P) for å løsne gjerdet (E).
- ◆ Still gjerdet (E) i ønsket vinkel. Du kan lese av vinkelen på skalaen (Q).
- ◆ Stram gjerdeboltene (P) for å låse gjerdet (E).

Kontrollere og justere gjæringssskalaen (figur 6)

- ◆ Løsne gjerdeboltene (P) for å løsne gjerdet (E).
- ◆ Trekk ned armen og lås den i posisjon ved å feste låsekjeden (A).
- ◆ Sett en vinkel mot gjerdet (E) og venstre side av kutteskiven slik at de danner en vinkel på nøyaktig 90°. Kontroller at merket for 0° på skalaen (Q) tilsvarer merkingen på foten (D).
- ◆ Stram gjerdeboltene (P) for å låse gjerdet (E).
- ◆ Fjern låsekjeden (A) og før armen tilbake til øvre hvileposisjon.

Justere gnistavviseren (figur 1)

- ◆ Løsne skruen (B).
- ◆ Still inn gnistavviseren (C) etter behov.
- ◆ Stram skruen (B).

Bruk

Advarsel! Følg alltid sikkerhetsinstruksjoner og gjeldende bestemmelser.

Advarsel! Ikke bruk unødig kraft på verktøyet.

Advarsel! Unngå overbelastning. Hvis verktøyet blir varmt, må du la det gå noen få minutter uten belastning.

Kuttekapasitet

Den store åpningen til skrustikken og det høye omdreiningspunktet gir kapasitet for kutting av mange store arbeidsstykker. Bruk kuttekapasitetstabellen til å bestemme den maksimale størrelsen av kutt som kan gjøres med en ny skive.

Forsiktig: Visse store eller sirkelformede gjenstander eller gjenstander med uregelmessig form kan kreve ekstra feste hvis de ikke kan festes sikkert i skrustikken.

Forsiktig: Ikke kutt magnesium med dette verktøyet.

Maksimal kuttekapasitet

Merknad: Kapasiteten som vises i tabellen, forutsetter at skiven ikke er slitt, og at gjerdet er i optimal posisjon.

Arbeidsstykkets form				
90° kuttevinkel	A = 4-7/8" (125 mm)	A = 4-1/2" (115 mm)	4-1/2" x 5-1/8"(115 mm) x 130 mm) 4" x 7-5/8"(115 mm) x 130 mm) 3" x 7-3/8"(115 mm) x 130 mm)	A = 4-1/2" x 5-3/8" (115 mm) x 137 mm)
45° kuttevinkel	A = 4-1/2" (115 mm)	A = 3-13/16" (98 mm)	4-1/2" x 3-13/16" 4-1/8" x 3-3/4"(105 mm) x 95 mm)	A = 3-13/16" 3-3/4" (95 mm)

Før bruk:

- ◆ Monter en passende kutteskive. Ikke bruk skiver som er for slitte. Den maksimale omdreiningshastigheten for verktøyet må ikke overskride kutteskivens.
- ◆ Kontroller at skiven roterer i retningen til pilene på tilbehøret og verktøyet.
- ◆ Fest arbeidsstykket.
- ◆ Still alltid inn gnistavviseren riktig.

Slå på og av (figur 1)

På/av-utløserbryteren (N) er montert i betjeningshåndtaket.

- ◆ Når du skal kjøre verktøyet, trykker du på på/av-utløserbryteren (N).
- ◆ Trykk på på/av-utløserbryteren mens du utfører oppgaven.
- ◆ Når du skal stoppe verktøyet, slipper du utløserbryteren (N).

Advarsel! Ikke slå verktøyet på eller av mens det er belastet.

Advarsel! For å hindre ønsket bruk av verktøyet kan du sette en standard hengelås i hengelåshullet (O) i utløserbryteren.



Advarsel! Ikke kutt magnesium.

Kontakt forhandleren for å få mer informasjon om passende tilbehør.

Utføre et kutt (figur 1)

- ◆ Plasser materialet som skal kuttes, mot gjerdet (E) og fest med skrustikken (F).

- ◆ Slå på verktøyet, og trekk håndtaket ned for å kutte arbeidsstykket. La motoren få full hastighet før du kutter.
- ◆ La skiven kutte fritt. Ikke bruk makt.
- ◆ Når kuttet er fullført, slår du av verktøyet og fører armen tilbake til sin øvre hvileposisjon.

Transport (figur 1)

Verktøyet er utstyrt med en låsekjede (A) som låser verktøyet i lukket nedre posisjon for bæring.

Advarsel! Kontroller at verktøyet er slått av og koblet fra nettstrømmen før du transporterer det.

- ◆ Senk vernet (K) ned til kuttebordfoten (D) og sikre verktøyet i denne posisjonen ved å feste kjeden på kroken i håndtaket.
- ◆ Transporter verktøyet ved å benytte bærehåndtakene.
- ◆ Når du skal utløse verktøyet, trykker du lett på betjeningshåndtaket og trekker av låsekjeden (A).

Vedlikehold

Det nettdrevne/batteridrevne Black & Decker-apparatet/verktøyet er konstruert for å være i drift over lengre tid med et minimum av vedlikehold. Apparatet/verktøyet er avhengig av riktig stell og regelmessig rengjøring for å fungere som det skal til enhver tid.

Advarsel! Før du utfører noe vedlikehold på et nettdrevet/batteridrevet apparat/verktøy:

- ◆ Slå apparatet av og ta ut batteriet.
- ◆ Hold ventilasjonssporene åpne og rengjør huset regelmessig med en myk klut.
- ◆ Ikke bruk slipende rengjøringsmidler.

Kontroll og bytte av motorbørster (figur 9)

Advarsel! Slå av verktøyet og trekk ut nettstøpset.

Kontroller at utløserbryteren er i stillingen OFF (AV).

Børstene bør kontrolleres for slitasje regelmessig. For å kontrollere børstene fjerner du børstehetten (W). Børstene (V) skal gli fritt i børstekassen. Hvis børstene er slitt ned til 0,3" (8 mm) som vist i figur 9, skal de byttes.

Skyv en ny børste tilbake inn i børstekassen for å montere.

Hvis du erstatter en eksisterende børste, beholder du orienteringen til den som ble fjernet. Sett på plass børstehetten (ikke stram for mye).

Rengjøring

Det anbefales å blåse støv og spon ut av hovedhuset ved hjelp av en luftslange, og dette kan gjøres når du ser det samler seg smuss i og rundt luftåpningene. Bruk alltid riktig øye- og åndedrettsbeskyttelse.

Reparasjoner

For å sikre produktets SIKKERHET og PÅLITELIGHET skal reparasjoner, vedlikehold og justering utføres av autoriserte serviceverksteder eller andre kvalifiserte serviceorganisasjoner, og alltid med bruk av identiske reservedeler.

Smøring

Det er brukt fettforseglete kulelagre av lukket type overalt. Disse lagrene har tilstrekkelig smøring lagt inn fra fabrikk til å være ut kuttsagens levetid.

Tilbehør

Forsiktig! Det kan være farlig å bruke annet tilbehør som ikke er anbefalt for bruk sammen med dette verktøyet.

Bruk bare organisk bundne skiver med høy styrke av type 1 normert til 4300 o/min eller mer.

Mot en ekstra kostnad får du anbefalt tilbehør som kan brukes sammen med verktøyet, hos din lokale forhandler eller et autorisert serviceverksted.

Miljø



Separat avfallshåndtering. Dette produktet må ikke kastes sammen med vanlig husholdningsavfall.

Hvis du synes Black & Decker-produktet bør skiftes ut, eller du ikke har bruk for det lenger, må du ikke kaste det sammen med husholdningsavfall. Sørg for separat avfallshåndtering for dette produktet.



Hvis brukte produkter og emballasje leveres atskilt, kan materialer resirkuleres og brukes på nytt. Gjenbruk av resirkulerte materialer bidrar til redusert miljøforurensning og reduserer behovet for råmaterialer.

Det kan være lokale bestemmelser for separat avfallshåndtering for elektriske produkter fra husstander på kommunale avfallsplasser eller hos forhandleren, når du kjøper et nytt produkt.

Black & Decker har en ordning for innsamling og resirkulering av Black & Decker-produkter som ikke skal brukes lenger. Du kan benytte denne tjenesten ved å levere produktet til et hvilket som helst autorisert serviceverksted.

Du kan finne ut hvor nærmeste autoriserte serviceverksted er, ved å kontakte din lokale Black & Decker-avdeling på adressen som er oppgitt i denne håndboken. En oversikt over autoriserte Black & Decker-serviceverksteder og alle opplysninger om ettersalgsservice og kontakter er også tilgjengelig på Internett: www.2helpU.com

Tekniske data

		CS355 (Type1)
Spenning	V _{ac}	230
Effekt inn	W	2,300
Hastighet ubelastet	min ⁻¹	3,800
Min. periferhastighet for kutteskive	m/s	80
Bladdiameter	mm	355
Hulldiameter	mm	25.4
Bladets tannbredde	mm	3
Type kutteskive	Rettt, uten fordypning	
Kapasitet tverrkutt ved 90°		
Sirkelformet	mm	125
Kvadratisk	mm	115
Rektangulært	mm	115 x 130
Vinklet	mm	137 x 137
Kapasitet tverrkutt ved 45°		
Sirkelformet	mm	115
Kvadratisk	mm	98 x 98
Rektangulært	mm	105 x 95
Vinklet	mm	95 x 95
Vekt	kg	18

		CS355 (Type 1)
LpA (lydtrykk)	dB(A)	93,1
Usikkerhet (K)	dB(A)	3
LWA (akustisk effekt)	dB(A)	105,3
Usikkerhet (K)	dB(A)	3
Vibrasjon ah	m/s ²	6,46
Usikkerhet (K)	m/s ²	1,5

EF-samsvarserklæring

MASKINDIREKTIV



CS355

Black & Decker erklærer at disse produktene som er beskrevet under "Tekniske data", er i samsvar med:

2006/42/EF, EN61029-1, EN61029-2-10

Hvis du ønsker mer informasjon, kontakt Black & Decker på følgende adresse, eller se på baksiden av håndboken.

Undertegnede er ansvarlig for utarbeidelsen av den tekniske dokumentasjonen og gir denne erklæringen på vegne av Black & Decker.

Kevin Hewitt
Vice-President Global Engineering
Black & Decker Europe, 210 Bath Road, Slough
Berkshire, SL1 3YD
Storbritannia
27/05/2010

Garanti

Black & Decker er trygg på kvaliteten på sine produkter og tilbyr en enestående garanti. Denne garantierklæringen kommer i tillegg til dine lovbestemte rettigheter og er ikke i konflikt med disse. Garantien er gyldig i EU- og EFTA-medlemsstatene.

Hvis et Black & Decker-produkt går i stykker på grunn av material- og/eller fabrikkasjonsfeil eller har mangler i forhold til spesifikasjonene innen 24 måneder fra kjøpet, påtar Black & Decker seg å skifte ut defekte deler, reparere produkter som har vært utsatt for alminnelig slitasje, eller bytte ut slike produkter med minst mulig vanskelighet for kunden, med mindre:

- ◆ Produktet har vært brukt i yrkes-/næringsvirksomhet eller til utleie.
- ◆ Produktet har vært utsatt for feilaktig bruk eller dårlig vedlikehold.
- ◆ Produktet har blitt skadet av fremmede gjenstander eller stoffer eller ved et uhell.
- ◆ Andre enn autoriserte serviceverksteder eller Black & Deckers serviceteknikere har forsøk å reparere produktet.

For å ta garantien i bruk må du vise kjøpskvittering til forhandleren eller til et autorisert serviceverksted. Du kan finne ut hvor nærmeste autori

serte serviceverksted er, ved å kontakte din lokale Black & Decker-avdeling på adressen som er oppgitt i denne håndboken. En oversikt over autoriserte Black & Decker-serviceverksteder og alle opplysninger om ettersalgsservice og kontakter er også tilgjengelig på Internett: www.2helpU.com

Besøk vårt webområde www.blackanddecker.no for å registrere ditt nye Black & Decker-produkt og for å holde deg oppdatert om nye produkter og spesialtilbud. Du finner mer informasjon om Black & Decker og produktutvalget vårt på www.blackanddecker.no.

Anvendelsesområde

Din Black & Decker kapsav er beregnet til savning i forskelligt formede stålmaterialer. Dette produkt er kun beregnet til privat brug.

Sikkerhedsanvisninger

Generelle sikkerhedsadvarsler vedrørende elværktøj



Advarsel! Ved anvendelse af elværktøj skal de gældende sikkerhedsforskrifter i det pågældende land altid følges, så risikoen for brand, elektrisk stød og personskade undgås.

- ◆ Læs hele denne vejledning omhyggeligt, før du bruger apparatet.
- ◆ Den tilsigtede brug er beskrevet i denne vejledning. Brugen af ekstraudstyr eller tilbehør eller udførelse af andet arbejde med dette apparat end det, der anbefales i denne vejledning, kan udgøre en risiko for personskade.
- ◆ Opbevar denne vejledning til senere brug.

1. Hold arbejdsområdet rent

Rodede arbejdsområder og -bænke kan forårsage ulykker.

2. Vær opmærksom på arbejdsforholdene

Udsæt ikke værktøjet for regn. Brug ikke værktøjet under fugtige eller våde forhold. Sørg for god arbejdsbelysning (250 - 300 lux). Brug ikke værktøjet, hvor det kan forårsage brand eller eksplosion, f.eks. hvor der er brændbare væsker og gasser.

3. Beskyttelse mod elektrisk stød

Undgå kropskontakt med jordforbundne overflader (f.eks. rør, radiatorer, kogeplader og køleskabe). Når værktøjet bruges under ekstreme forhold (f.eks. høj luftfugtighed, når der udvikles metalspåner etc.), Den elektriske sikkerhed kan forbedres yderligere ved brug af en højfølsom 30 mA fejlstrømsafbryder (RCD).

4. Hold andre personer på afstand

Lad ikke personer, især ikke børn, der ikke er involveret i arbejdet, røre ved værktøjet eller forlængerledningen, og hold dem på afstand af arbejdsområdet.

5. Læg værktøj, der ikke er i brug, væk

Når værktøj ikke er i brug, skal det opbevares på et tørt og sikkert sted uden for børns rækkevidde.

6. Undgå at overbelaste værktøjet

Det udfører arbejdet lettere og sikrere og i det tempo, det er beregnet til.

7. Brug det rigtige værktøj

Brug ikke små værktøjer til at udføre arbejde, der kræver et stort værktøj. Brug ikke værktøj til andre formål end de tiltænkte; brug f.eks. ikke en rundsav til beskæring af grene eller savning af træstammer.

8. Brug egnet arbejdstøj

Bær ikke løstsiddende tøj eller smykker, som kan blive fanget af bevægelige dele. Tildæk håret, så langt hår holdes væk fra værktøjet. Brug om muligt egnede handsker og skridsikket fodtøj ved arbejde uden døre.

9. Brug beskyttelsesudstyr

Brug altid sikkerhedsbriller. Brug en sigts- eller støvmaske, hvor arbejdet forårsager støv eller flyvende partikler. Brug også et varmebestandigt forklæde, hvis disse partikler kan være meget varme. Bær altid høreværn. Bær altid sikkerhedshjelm.

10. Tilslut udstyr til støvudsugning

Hvis der kan monteres støvudsugnings- og opsamlingsudstyr, skal dette tilsluttes og benyttes korrekt.

11. Undgå at ødelægge ledningen

Bær aldrig værktøjet i ledningen. Træk aldrig i netledningen for at tage stikket ud af stikkontakten. Hold ledningen på afstand af varme, olie og skarpe kanter.

12. Fastgør arbejdsemnet

Brug klemmer eller en skruestik til at fastholde arbejdsemnet. Det er sikrere, og du har begge hænder fri til at betjene værktøjet.

13. Stræk dig ikke for langt

Sørg for, at du altid har sikkert fodfæste og balance.

14. Elværktøj skal vedligeholdes omhyggeligt

Hold skæreværktøj skarpt og rent, så arbejder det bedre og er sikrere at bruge. Følg vejledningen vedrørende smøring og udskiftning af tilbehør. Inspicer værktøjsledninger jævnlige, og få dem repareret af et autoriseret værksted, hvis de er beskadigede. Inspicer forlængerledninger jævnlige, og udskift dem, hvis de er beskadigede. Sørg for, at håndtagene er tørre, rene og fri for olie og fedt.

15. Afbryd værktøjet

Sluk og vent, til værktøjet står helt stille, før du efterlader det. Tag altid ledningen ud af stikkontakten, når værktøjet ikke er i brug, før udskiftning af dele, tilbehør etc. og før servicering.

16. Fjern justeringsnøgler og tænger

Kontroller altid, at justeringsnøgler og tænger er fjernet fra værktøjet, før det tages i brug.

17. Sørg for, at værktøjet ikke kan starte utilsigtet

Bær ikke værktøjet med en finger på kontakten. Kontroller, at værktøjet er slukket, når ledningen sættes i.

18. Brug forlængerledninger til udendørs brug

Før brug skal forlængerledningen inspiceres og udskiftes, hvis den er beskadiget. Hvis værktøjet bruges i det fri, skal der benyttes forlængerledninger, som er beregnet til udendørs brug og mærket i overensstemmelse hermed.

19. Vær opmærksom

Vær opmærksom, hvad du laver, brug din sunde fornuft, og brug ikke værktøjet, når du er træt.

20. Kontroller, om der er beskadigede dele

Kontroller omhyggeligt værktøjet og ledningen for beskadigelse før brug. Kontroller, at de bevægelige dele ikke har sat sig fast, kontroller for skævheder, brud, skader på skjolde og kontakter samt andet, som kan påvirke apparatets funktion. Kontroller, at værktøjet fungerer korrekt og udfører den tilsigtede funktion. Brug ikke værktøjet med beskadigede eller defekte dele. Brug ikke værktøjet, hvis afbryderen er defekt. Få beskadigede eller defekte dele repareret eller udskiftet på et autoriseret Black & Decker-værksted. Forsøg aldrig selv at udføre reparationer.

21. Advarsel!

Brugen af ekstraudstyr eller tilbehør eller udførelse af opgaver med værktøjet ud over de i brugervejledningen anbefalede kan medføre risiko for personskade.

22. Få værktøjet repareret af en fagmand

Dette værktøj opfylder de relevante sikkerhedsforskrifter. Få værktøjet repareret af et autoriseret Black & Decker-værksted. Reparationer må kun foretages af kvalificerede personer og med brug af originale reservedele; i modsat fald kan der opstå betydelig fare for brugeren.

Yderligere sikkerhedsvejledninger for kapsave

- ◆ Brug altid ordentlige arbejdshandsker under brugen af dette værktøj.
- ◆ Hold hænderne på afstand af skæreskiven. Sav aldrig i arbejdsemner, der kræver manuel handling tættere end 15 cm fra den roterende skæreskive.
- ◆ Sav ikke i arbejdsemner med en tykkelse på under 1,2 mm med den skæreskive, der følger med dette værktøj.
- ◆ Brug ikke værktøjet uden monterede skjolde.
- ◆ Arbejd ikke på frihånd. Brug materialeklemmerne til at fastgøre arbejdsemnet sikkert.
- ◆ Ræk aldrig ind bag skæreskiven.
- ◆ Anbring altid værktøjet på en ren, flad og stabil overflade, hvor der ikke ligger løse materialer, f.eks. spåner og afskåret materiale.
- ◆ Kontroller skæreskiven for revner eller defekter før brug. Kasser skæreskiven, hvis der er tydelige revner eller defekter.
- ◆ Før du tænder værktøjet, skal du sikre, at skæreskiven ikke rører arbejdsemnet.
- ◆ Undgå at skæreskiven hopper, og behandl den forsigtigt under brug. Stop værktøjet, og kontroller skæreskiven, hvis den hopper.
- ◆ Brug ikke værktøjet, når du står på linje med skæreskiven. Hold andre personer væk fra arbejdsområdet.
- ◆ Vær opmærksom på spåner af afsavet materiale. De kan være skarpe og varme. Lad afskårne dele køle af, før du rører ved dem.
- ◆ Gnistskærmen bliver varm under brug. Rør ikke ved, og juster ikke gnistskærmen umiddelbart efter brug af værktøjet.
- ◆ Sluk værktøjet, og vent, til skæreskiven er stoppet, før du flytter arbejdsemnet eller ændrer indstillinger.
- ◆ Når du har slukket værktøjet, må du ikke forsøge at stoppe skæreskiven ved at trykke på siden af den.
- ◆ Brug ikke skærevæsker. Disse væsker kan antændes eller forårsage elektrisk stød.
- ◆ Kontroller, at emnet er korrekt understøttet.
- ◆ Brug kun skæreskiver, der er anbefalet af producenten. Brug aldrig runde savblade eller andre typer blade med tænder.
- ◆ Den maksimalt tilladte hastighed for skæreskiven skal altid være lig med eller større end hastigheden uden belastning, som er angivet på fabrikksskiltet.
- ◆ Brug ikke skæreskiver, som ikke overholder de mål, der er angivet under tekniske data.
- ◆ Kontroller før brug, at skæreskiven er monteret korrekt.
- ◆ Lad værktøjet køre uden belastning på et sikkert sted i mindst 30 sekunder. Stop værktøjet, hvis der er kraftig vibration, eller hvis der forekommer andre defekter, og kontroller værktøjet for at finde årsagen.
- ◆ Brug ikke skæreskiver til sideslibning.
- ◆ Sav ikke i beton, mursten, fliser eller keramiske materialer.
- ◆ Sav ikke i træ, plastik eller syntetiske materialer.
- ◆ Sav ikke i støbejern.
- ◆ Sav aldrig i magnesiumholdigt materiale.
- ◆ Sav ikke i strømførende materiale.
- ◆ Brug altid værktøjet på steder med tilstrækkelig ventilation. Brug ikke værktøjet i nærheden af brændbare væsker, gasser eller støv. Gnister eller varme spåner fra savningen eller lysbueomotorens kul kan antænde brændbare materialer.
- ◆ Rengør regelmæssigt ventilationsåbningerne ved arbejde i støvede omgivelser. Husk at tage værktøjets ledning ud af stikkontakten først, hvis det bliver nødvendigt at rengøre åbningerne.
- ◆ Opbevar altid skæreskiver godt beskyttet og på et tørt sted uden for børns rækkevidde.

- ◆ **Advarsel!** Ved brug af dette værktøj kan der dannes støv indeholdende kemikalier, der kan forårsage cancer, fødselsdefekter eller andre reproduktionsskader. Brug egnet åndedrætsbeskyttelsesudstyr.



Advarsel! Brug kun kapsavskiver med en maksimal tykkelse på 3 mm og en maksimal diameter på 355 mm.

Advarsel! Skæreskiven fortsætter med at rotere, efter at værktøjet er slukket.

- ◆ Brug kun forstærkede skiver, der er beregnet til 4300 o/min. eller højere.
- ◆ Bær altid øjenbeskyttelse, brug skjolde, opspænd arbejdet i en skruestik, brug egnet åndedrætsbeskyttelse.

Følgende faktorer påvirker støjniveaue:

- ◆ det materiale, der saves i
- ◆ skæreskivetype
- ◆ fremføringshastighed
- ◆ **Advarsel!** Træf relevante forholdsregler til beskyttelse af din hørelse.

Restrisici

Brugen af disse maskiner indebærer følgende restrisici:

- ◆ tilskadekomst forårsaget af berøring af roterende dele
- ◆ tilskadekomst forårsaget af brud på skæreskiven

Disse risici er de mest oplagte:

- ◆ inden for arbejdsområdet
- ◆ inden for de roterende maskindeles område

Selv ved overholdelse af relevante sikkerhedsforskrifter og anvendelse af sikkerhedsudstyr kan visse restrisici ikke undgås. Disse er:

- ◆ Hørskader.
- ◆ Risiko for tilskadekomst forårsaget af uafdækkede dele på den roterende skæreskive.
- ◆ Risiko for tilskadekomst ved udskiftning af skiven.
- ◆ Risiko for at få fingrene i klemme, når skjoldene åbnes.

Elektricitet og sikkerhed



Dette værktøj er dobbeltisoleret. Derfor er en jordledning ikke nødvendig. Kontroller altid, at netspændingen svarer til spændingen på typeskiltet. Forsøg aldrig at erstatte laderenheden med et almindeligt netstik.

- ◆ Hvis netledningen beskadiges, skal den udskiftes af producenten eller et autoriseret Black & Decker-værksted, så farlige situationer undgås.

Spændingsfald

Strømafbrydelser medfører korte spændingsfald.

Under forhold, hvor strømforsynings forholdene ikke er de mest ideelle, kan andet udstyr blive påvirket.

Hvis systemimpedansen er lavere end 0.12 Ω, vil forstyrrelser højst sandsynligt ikke forekomme.

Advarselssymboler

Værktøjet er forsynet med følgende symboler:



Advarsel! Brugeren skal læse brugervejledningen for at reducere risikoen for tilskadekomst.



Brug altid sikkerhedsbriller.



Bær altid høreværn.

Funktioner

Dette værktøj leveres med nogle eller alle de følgende egenskaber.

- Låsekæde
- Gnistskærmsskrue
- Gnistskærm
- Basis
- Afskærmning
- Skruestik
- Fladnøgle
- Drejehåndtag
 - Skruestikarm
- Skæreskive
- Skjold
- Spindellås
- Dybdestopbolt og låsemøtrik
- Startknap
- Hul til hængelås
- Afskærmningsbolte

Samling

Advarsel! Sluk værktøjet, og tag ledning ud af stikkontakten, før du foretager justeringer eller afmonterer eller monterer tilbehør etc. Kontroller, at afbryderkontakten står på OFF. Foretag ikke justeringer, mens skiven bevæger sig.

Afmontering og montering af en skæreskive (fig. 7 - fig. 8)

- ◆ Tryk spindellåsen (L) ind.
- ◆ Drej skæreskiven (J), til den låses på plads.
- ◆ Løsn boltten med flatangen (G), og fjern boltten (S) ved at dreje den mod uret; fjern derefter skiven (T) og holdeflangen (U).

- ◆ Kontroller, at afstandsskiven (R) sidder mod flangen.
- ◆ Udskift skæreskiven (J). Kontroller, at den nye skive er placeret på afstandsskiven (R) i den korrekte rotationsretning.
- ◆ Fastgør skiven med holdeflangen (U), skiven (T) og bolten (S).
- ◆ Tryk spindellåsen (L) ind.
- ◆ Drej skæreskiven (J), til den låses på plads.
- ◆ Brug flatangen (G) til at dreje bolten (S) med uret og spænde den.
- ◆ Flyt skjoldet nedad, og udløs spindellåsen (L).
- ◆ Juster skæredybden efter behov.

Justering af skæredybden (fig. 1)

Skæredybden kan justeres, så den passer til slidet på skæreskiven.

- ◆ Foretag en prøve kørsel med slukket værktøj, og kontroller for frigang.
- ◆ Fortsæt som følger, hvis en justering er nødvendig:
- ◆ Løsn møtrikken (M) nogle få omdrejninger.
- ◆ Skru dybdestoppbolten (M) ind eller ud for at opnå den ønskede skæredybde.
- ◆ Spænd låsemøtrikken (M).

Advarsel: Sæt altid dybdestoppet tilbage til dets oprindelige position, når skæreskiven udskiftes.

Opspænding af arbejdsemnet i position (fig. 2 - fig. 4)

Værktøjet er udstyret med en skruestik (F)

- ◆ Træk armen (I) mod håndtaget (H).
- ◆ Skub skruestikken (F) fremad, til kæben næsten rører arbejdsemnet.
- ◆ Skub armen (I) mod kæben, til den går i indgreb med klemmeskaftet.
- ◆ Drej håndtaget (H) med uret, så arbejdsemnet sidder godt fast.
- ◆ Drej håndtaget (H) mod uret for at frigøre arbejdsemnet.
- ◆ Læg en blok under arbejdsemnet for at øge skærekapaciteten. Afstandsblokken skal være en smule mindre end arbejdsemnet.

Advarsel: Understøt lange arbejdsemner med et stykke træ. Opspænd ikke den afskårne ende.

Hurtigvandringsfunktion (fig. 4)

Klemmen har en hurtigvandringsfunktion.

- ◆ Drej håndtaget (H) en eller to omgange mod uret for at frigøre klemmen, og træk armen (I) mod håndtaget (H).

Indstilling af opspændingsposition (fig. 5)

Opspændingspositionen kan indstilles, så den passer til skæreskiven.

- ◆ Brug flatangen (P) til at fjerne afskæringsboltene (G).

- ◆ Fjern afskæringsningen (E) efter behov.
- ◆ Monter afskæringsboltene (P) igen, og spænd dem for at låse afskæringsningen (E).

Justering af skærevinklen (fig. 6)

Værktøjet kan bruges til gearingsssavning op til 45°.

- ◆ Løsn afskæringsboltene (P) for at frigøre afskæringsningen (E).
- ◆ Indstil afskæringsningen (E) til den ønskede vinkel. Vinklen kan aflæses på skalaen (Q).
- ◆ Spænd afskæringsboltene (P) for at låse afskæringsningen (E).

Kontrol og justering af gearingskalaen (fig. 6)

- ◆ Løsn afskæringsboltene (P) for at frigøre afskæringsningen (E).
- ◆ Træk armen ned, og lås den fast på denne position ved at montere låsekæden (A).
- ◆ Læg en firkant mod afskæringsningen (E) og venstre side af skæreskiven, så der dannes en vinkel på 90°. Kontroller, at 0°-mærket på skalaen (Q) står ud for mærket på basen (D).
- ◆ Spænd afskæringsboltene (P) for at låse afskæringsningen (E).
- ◆ Fjern låsekæden (A), og sæt armen tilbage i øverste hvilestilling.

Justering af gnistskærmen (fig. 1)

- ◆ Løsn skruen (B).
- ◆ Indstil gnistskærmen (C) efter ønske.
- ◆ Spænd skruen (B).

Anvendelse

Advarsel: Følg altid sikkerhedsanvisningerne og relevante forskrifter.

Advarsel: Tryk ikke for kraftigt på værktøjet.

Advarsel: Undgå overbelastning. Lad værktøjet køre i nogle minutter uden belastning, hvis det bliver varmt.

Skærekapacitet

Den brede skruestikåbning og det højde drejepunkt giver skærekapacitet til mange store emner. Brug oversigten over skærekapacitet til at fastlægge den maksimale skærestørrelse, der kan foretages med en ny skive.

Forsigtig: Nogle store, cirkulære eller uregelmæssigt formede genstande kan kræve yderligere fastholdelsesanordninger, hvis de ikke kan holdes sikkert fast i skruestikken.

Forsigtig: Sav ikke i magnesiumholdige materialer med dette værktøj.

Maksimal skærekapacitet

Bemærk: Den kapacitet, der er vist i oversigten, er baseret på intet slid på skiven og optimal afskærmningsposition.

Arbejdsømnets form				
90° skærevinkel	A = 4-7/8" (125 mm)	A = 4-1/2" (115 mm)	4-1/2" x 5-1/8" (115 mm x 130 mm) 4" x 7-5/8" (115 mm x 130 mm) 3" x 7-3/8" (115 mm x 130 mm)	A = 4-1/2" x 5-3/8" (115 mm x 137 mm)
45° skærevinkel	A = 4-1/2" (115 mm)	A = 3-13/16" (98 mm)	4-1/2" x 3-13/16" x 4-1/8" x 3-3/4" (105 mm x 95 mm)	A = 3-13/16" x 3-3/4" (95 mm)

Før brug:

- ◆ Monter en egnet skæreskive. Brug ikke meget slidte skiver. Værktøjets maksimale rotationshastighed må ikke overstige skæreskivens maksimale rotationshastighed.
- ◆ Kontroller, at skiven roterer i pilens retning på tilbehøret og værktøjet.
- ◆ Fastgør arbejdsømnets.
- ◆ Indstil altid gnistskærmen korrekt.

Sådan tænder og slukker du (fig. 1)

Afbryderkontakten (N) er monteret i betjeningshåndtaget.

- ◆ Start værktøjet ved at trykke på afbryderkontakten (N).
- ◆ Blive ved med at trykke på afbryderkontakten under arbejdet.
- ◆ Slip afbryderkontakten (N) for at stoppe værktøjet.

Advarsel: Start og stop ikke værktøjet, mens det er under belastning.

Advarsel: Monter en standardhængelås (medfølger ikke) i hullet til hængelås (O) på afbryderkontakten for at forhindre uautoriseret brug af værktøjet.



Advarsel! Sav ikke i magnesiumholdige materialer.

Få flere oplysninger om egnet tilbehør hos forhandleren.

Sådan saver du (fig. 1)

- ◆ Placer det materiale, der skal saves, op mod afskærmningen (E), og fastgør det vha. skruestikken (F).

- ◆ Start værktøjet, og træk håndtaget ned for at save arbejdsømnets. Lad motoren nå fuld hastighed før savning.
- ◆ Lad skiven save frit. Forcer den ikke.
- ◆ Stop værktøjet, når du er færdig med at save, og sæt armen tilbage i øverste hvilestilling.

Transport (fig. 1)

Værktøjet er udstyret med en låsekæde (A), som låser værktøjet fast i nedlukket position med henblik på transport.

Advarsel: Kontroller, at værktøjet er slukket, og at ledningen er taget ud af stikkontakten, før det transporteres.

- ◆ Sænk skjoldet (K) ned på skærebordets basis (D), og fastgør værktøjet i denne position ved at sætte kæden i kroger i håndtaget.
- ◆ Transporter værktøjet vha. bærehåndtagene.
- ◆ Frigør værktøjet ved at trykke lidt ned på betjeningshåndtaget og trække låsekæden (A) af.

Vedligeholdelse

Dit Black & Decker-apparat/værktøj med eller uden ledning er beregnet til brug gennem lang tid med et minimum af vedligeholdelse. Forsat tilfredsstillende drift afhænger af korrekt behandling af apparatet/værktøjet samt regelmæssig rengøring.

Advarsel! Før udførelse af nogen form for vedligeholdelse eller rengøring af apparater/værktøjer med/uden ledning:

- ◆ Sluk apparatet, og tag stikket ud.
- ◆ Hold ventilationshullerne rene, og rengør jævnligt huset med en blød klud.
- ◆ Brug ikke skuremidler.

Kontrol og udskiftning af motorkul (fig. 9)

Advarsel! Sluk, og tag værktøjets stik ud af stikkontakten.

Kontroller, at afbryderkontakten står på OFF.

Kullene skal jævnligt kontrolleres for slid. Fjern kuldækslet (W) for at inspicere kullene. Kullene (V) skal kunne glide frit i kulboksen. Hvis kullene er slidt ned til 0,3" (8 mm) som vist i fig. 9, skal de udskiftes.

Skub nye kul tilbage i kulboksen for at sætte dem i. Ved udskiftning af eksisterende kul holdes samme retning, som da de blev taget ud. Sæt kuldækslet på igen (overspænd ikke).

Rengøring

Det anbefales at blæse støv og snavs ud af huset vha. en luftslange. Dette kan gøres, så ofte der ses snavsansamlinger i og omkring ventilationsåbningerne. Brug altid korrekt øjenbeskyttelse og åndedrætsværn.

Reparationer

Af hensyn til produktets SIKKERHED og PÅLIDELIGHED bør reparationer, vedligeholdelse og justering udføres af autoriserede servicecentre eller kvalificerede servicefirmaer, og der skal altid bruges identiske reservedele.

Smøring

Der er gennemgående anvendt fedtforseglede kuglelejer af den lukkede type. Disse lejer er tilstrækkeligt smurt fra fabrikken, til at de kan holde i hele kapsavens levetid.

Tilbehør

Forsigtig! Brugen af tilbehør, som ikke anbefales sammen med dette værktøj, kan være farligt.

Brug kun organisk bundne skiver af høj styrke type 1, der er beregnet til 4300 o/min. eller højere.

Anbefalet tilbehør til brug sammen med værktøjet kan købes hos den lokale forhandler eller et autoriseret servicecenter.

Miljø



Separat bortskaffelse. Dette produkt må ikke bortskaffes sammen med almindeligt husholdningsaffald.

Når dit Black & Decker-produkt en dag er udtjent, eller du ikke længere har brug for det, må du ikke smide det ud sammen med det almindelige affald. Produktet skal bortskaffes separat.



Ved separat bortskaffelse af brugte produkter og emballage bliver der mulighed for at genanvende forskellige materialer.

Genanvendelse af materialer medvirker til at forebygge miljøforurening og mindsker behovet for råstoffer.

Lokal lovgivning kan kræve separat indsamling af elektriske husholdningsapparater på kommunale affaldsdepoter eller af den detailhandlende ved køb af et nyt produkt.

Black & Decker sørger for at indsamle og genanvende Black & Decker-produkter, når disse ikke længere kan bruges. Hvis du vil benytte dig af denne service, skal du returnere produktet til et autoriseret værksted, der indsamler produkterne for os.

Kontakt det lokale Black & Decker-kontor på den adresse, der er angivet i denne vejledning, for at få oplysninger om nærmeste autoriserede værksted. En liste over alle autoriserede Black & Decker-serviceværksteder samt servicevilkår og kontaktpersoner er tilgængelig på internettet på adressen: www.2helpU.com

Tekniske data

		CS355 (Type1)
Spænding	V _{ac}	230
Motoreffekt	W	2,300
Hastighed uden belastning	min ⁻¹	3,800
Min. periferihastighed for skæreskive	m/s	80
Klangediameter	mm	355
Klingeboring	mm	25.4
Knivspidsbredde	mm	3
Skæreskivetype	Lige, ingen fordybninger	
Tværskæringskapacitet ved 90°		
Cirkulær	mm	125
Firkantet	mm	115
Rektangulær	mm	115 x 130
Vinklet	mm	137 x 137
Tværskæringskapacitet ved 45°		
Cirkulær	mm	115
Firkantet	mm	98 x 98
Rektangulær	mm	105 x 95
Vinklet	mm	95 x 95
Vægt	kg	18

		CS355 (Type 1)
LpA (lydtryk)	dB(A)	93.1
Usikkerhed (K)	dB(A)	3
LwA (lydeffekt)	dB(A)	105.3
Usikkerhed (K)	dB(A)	3
Vibration ah	m/s ²	6.46
Usikkerhed (K)	m/s ²	1.5

EF-overensstemmelseserklæring

MASKINDIREKTIV



CS355

Black & Decker erklærer, at produkterne beskrevet under "Tekniske data" er i overensstemmelse med:

2006/42/EC, EN61029-1, EN61029-2-10

Kontakt Black & Decker på nedenstående adresse, eller se vejledningens bagside for at få flere oplysninger.

Undertegnede er ansvarlig for udarbejdelsen af de tekniske data og fremsætter denne erklæring på vegne af Black & Decker.

Kevin Hewitt
Vice-President Global Engineering
Black & Decker Europe, 210 Bath Road, Slough,
Berkshire, SL1 3YD
Storbritannien
27/05/2010

Garanti

Black & Decker garanterer, at produktet er fri for skader og fejl og tilbyder en fremragende garanti. Garantien er et tillæg til forbrugers lovsikrede rettigheder og påvirker ikke disse. Garantien gælder inden for medlemsstaterne af den Europæiske Union og i det Europæiske Frihandelsområde.

Hvis et Black & Decker-produkt går i stykker på grund af materiel skade og/eller fabrikationsfejl eller på anden måde ikke fungerer i overensstemmelse med specifikationen inden for 24 måneder fra købsdatoen, påtager Black & Decker sig at reparere eller ombytte produktet med mindst mulig ulempe for kunden. Garantien gælder ikke for fejl og mangler, der er sket i forbindelse med:

- ◆ Produktet har været anvendt erhvervs-mæssigt eller til udlejning.
- ◆ Produktet har været anvendt forkert eller er ikke vedligeholdt.
- ◆ Produktet er beskadiget af fremmedlegemer, substanser eller pga. uheld.
- ◆ Garantien gælder ikke, hvis reparationer er udført af andre end et autoriseret Black & Decker-værksted.

For at udnytte garantien skal produktet og købskvitteringen indleveres til forhandleren eller til et autoriseret værksted. Kontakt det lokale Black & Decker-kontor på den adresse, der er angivet i denne vejledning, for at få oplysninger om nærmeste autoriserede værksted. En liste over alle autoriserede Black & Decker-serviceværksteder samt servicevilkår og kontaktpersoner er tilgængelig på internettet på adressen: www.2helpU.com

Gå venligst ind på vores website www.blackanddecker.dk for at registrere dit nye produkt og for at blive holdt ajour om nye produkter og specialtilbud. Der findes yderligere oplysninger om mærket Black & Decker og vores produktsortiment på adressen www.blackanddecker.dk

Käyttötarkoitus

Black & Decker -pyörösaha on tarkoitettu erimuotoisten teräsmateriaalien leikkaamiseen. Tämä tuote on tarkoitettu ainoastaan kotikäyttöön.

Turvallisuushjeet**Sähkötyökalujen yleiset turvavaroitukset**

Varoitus! Sähkötyökaluja käytettäessä on aina noudatettava kotimaassasi voimassa olevia turvaohjeita, jotta tulipalojen, sähköiskujen ja henkilövahinkojen riski olisi mahdollisimman pieni.

- ◆ Lue nämä ohjeet huolellisesti ennen laitteen käyttöä.
- ◆ Käyttötarkoitus kuvataan tässä käyttöohjeessa. Muiden kuin tässä käyttöohjeessa suositeltujen lisävarusteiden tai osien käyttö sekä laitteen käyttö muuhun kuin käyttöohjeessa suositeltuun tarkoitukseen voi aiheuttaa henkilövahingon vaaran.
- ◆ Säilytä tämä käyttöohje tulevaa tarvetta varten.

1. Pidä työalue puhtaana.

Työalueiden ja penkkien epäjärjestys voi johtaa tapaturmiin.

2. Käytä harkintaa työalueen valinnassa.

Älä jätä työkalua sateeseen. Älä käytä työkalua sateessa tai kosteissa tai märissä olosuhteissa. Pidä työalue hyvin valaistuna (250–300 luksia). Älä käytä työkalua ympäristössä, jossa on tulen tai räjähdysriski, eli ympäristössä, jossa on syytyvää nestettä tai kaasua.

3. Suojaudu sähköiskuilta.

Estä kosketus maadoitettujen pintojen kanssa (esim. putket, patterit, liedet ja jääkaapit). Kun käytät työkalua äärimmäisissä olosuhteissa (esimerkiksi kosteuden ollessa korkea tai työn tuottaessa koneistusjätettä), Sähköturvallisuutta voi parantaa käyttämällä erittäin herkkää (30 mA) vikavirtasuojaa.

4. Pidä muut henkilöt poissa.

Älä anna työhön osallistumattomien henkilöiden, etenkin lasten, koskettaa työkalua tai jatkojohtoa, ja pidä heidät poissa työalueelta.

5. Korjaa pois käyttämättömät työkalut.

Kun työkalua ei käytetä, sitä tulee säilyttää kuivassa, lukitussa paikassa poissa lasten ulottuvilta.

6. Älä ylikuormita työkalua.

Sopivaa sähkötyökalua käyttäen työskentelet paremmin ja turvallisemmin tehoalueella, jolle sähkötyökalu on tarkoitettu.

7. Käytä oikeaa työkalua.

Älä yritä käyttää pieniä työkaluja työssä, joka vaatii isompaa työkalua. Älä käytä työkaluja muihin tarkoituksiin, esimerkiksi pyörösahoja puiden karsimiseen tai halkojen sahaamiseen.

8. Käytä tarkoitukseen soveltuvia vaatteita.

Älä käytä väljiä vaatteita tai koruja, sillä ne voivat takertua työkalun liikkuviin osiin. Käytä suojaavaa hiusepitettä pitääksesi pitkät hiukset poissa tieltä. Sopivien käsineiden ja liukumattomien kenkien käyttöä suositellaan työskennellessäsi ulkona.

9. Käytä suojavarusteita.

Käytä aina suojalaseja. Käytä hengityssuojainta, mikäli työkalun käyttö voi tuottaa pölyä tai lentäviä hiukkasia. Jos on mahdollista, että nämä hiukset ovat huomattavan kuumia, käytä myös lämmönkestävää esiliinaa. Käytä aina kuulonsuojaimia. Käytä aina suojakypärää.

10. Liitä pölynimuri.

Jos työkalun voi liittää pölynimuriin, tarkista, että liitos on tehty asianmukaisesti ja että laitteita käytetään oikealla tavalla.

11. Älä käsittele virtajohtoa kovakouraisesti.

Älä koskaan kannaa työkalua sen virtajohdon varassa. Älä koskaan irrota pistoketta pistorasiasta johdosta vetämällä. Pidä virtajohto etäällä lämmönlähteistä, öljystä ja terävistä reunoista.

12. Kiinnitä työstettävä kappale.

Kiinnitä työstettävä kappale puristimella tai ruuvipenkillä. Tämä on turvallisempaa ja molemmat kädet ovat vapaita käyttämään työkalua.

13. Älä kurkota liian kauas.

Seiso aina tukevasti ja tasapainossa.

14. Huolla työkalusi hyvin.

Pidä leikkausterät terävinä ja puhtaina, jotta niiden suorituskyky on hyvä ja käyttö turvallista. Noudata voitelua ja osien vaihdosta annettuja ohjeita. Tarkista työkalujen johtojen kunto säännöllisesti ja jos ne ovat vahingoittuneita, korjautta ne valtuutetussa huollossa. Tarkista jatkojohtojen kunto säännöllisesti ja vaihda ne tarvittaessa. Kahvojen tulee olla kuivat, puhtaat ja rasvattomat.

15. Irrota työkalu virtalähteestä.

Katkaise virta ja odota, että terän liike on kokonaan pysähtynyt, ennen kuin jätät työkalun ilman valvontaa. Irrota työkalu virtalähteestä, kun et käytä sitä, ennen minkään osan vaihtamista, ennen lisäosan tai -laitteen kiinnittämistä ja ennen huoltamista.

16. Irrota säätötyökalut ja jakoavaimet.

Tarkista aina, että säätötyökalut ja jakoavaimet on irrotettu työkalusta ennen sen käyttöä.

17. Vältä tahatonta käynnistämistä.

Älä pidä sormeasi kytkimellä työkalua siirtäessäsi. Varmista, että työkalun virta on katkaistu, ennen kuin liität sen virtalähteeseen.

18. Käytä ulkokäyttöön soveltuvia jatkojohtoja.

Tarkista jatkojohdon kunto ennen sen käyttämistä ja vaihda se tarvittaessa. Käyttäessäsi työkalua ulkona käytä ainoastaan ulkokäyttöön soveltuvaa jatkojohtoa, jossa on asianmukaiset merkinnät.

19. Pysy valppaana.

Keskity työskentelyysi, noudata tervettä järkeä äläkä käytä työkalua ollessasi väsynyt.

20. Tarkista, etteivät osat ole vaurioituneet.

Tarkista ennen laitteen käyttöä, ettei työkalu tai verkkokaapeli ole vahingoittunut. Tarkista, että liikkuvat osat toimivat moitteettomasti eivätkä ole väärässä asennossa ja että työkalussa ei ole murtuneita tai vahingoittuneita suoja- tai kytkimiä tai muita osia, jotka saattaisivat vaikuttaa haitallisesti laitteen toimintaan. Varmista, että työkalu toimii oikein. Älä käytä työkalua, jos jokin sen osa on vahingoittunut tai viallinen. Älä käytä työkalua, jota ei voida käynnistää ja pysäyttää virtakytkimestä. Korjauta tai vaihdata vaurioituneet tai vialliset osat valtuutetussa Black & Decker -huoltoliikkeessä. Älä koskaan yritä korjata työkalua itse.

21. Varoitus!

Muiden kuin ohjeissa suositeltujen lisävarusteiden tai -osien käyttö sekä työkalun käyttö muuhun kuin oppaassa suositeltuun tarkoitukseen voi aiheuttaa loukkaantumisvaaran.

22. Korjauta työkalu koulutetulla ja ammattitaitoisella henkilöllä.

Tämä työkalu täyttää asianmukaisten turvaohjeiden vaatimukset. Sähkötyökalun vioituessa, korjauta se valtuutetussa Black & Decker -huoltokorjaamossa. Korjauksia saa tehdä vain Black & Deckerin valtuuttama huoltoliike, joka käyttää alkuperäisosa. Muutoin koneen käyttäjälle voi aiheutua vaaratilanteita.

Lisäturvaohjeet pyörösahoille.

- ◆ Käytä aina tavallisia työvälineitä tätä työkalua käyttäessäsi.
- ◆ Pidä kätesi etäällä terästä. Älä koskaan käytä sahaa leikatessasi kappaleita, jotka vaativat käsien tuomista alle 15 cm:n etäisyydelle terästä.

- ◆ Älä leikkaa alle 1,2 mm paksuisia kappaleita tämän työkalun mukana tulleella terällä.
- ◆ Älä käytä työkalua ilman suojaimia.
- ◆ Älä kannattele leikattavaa kappaletta pelkästään käsissäsi. Kiinnitä leikattava materiaali tiukasti puristimella.
- ◆ Älä koskaan kurkota terän taakse.
- ◆ Sijoita työkalu aina tasaiselle, vakaalle pinnalle, joka on hyvin huollettu ja jolla ei ole irtonaista ainesta, kuten siruja ja leikkausjätteitä.
- ◆ Tarkista terä halkeamien ja vikojen varalta ennen käyttöä. Vaihda terä, jos siinä on halkeama tai muuta vikaa.
- ◆ Ennen virran kytkentää varmista, että terä ei kosketa mihinkään leikattavaan kappaleeseen.
- ◆ Älä käsittele terää käytön aikana kovakouraisesti tai niin, että se ponnahtaa. Jos näin tapahtuu, sammuta työkalu ja tarkista terä.
- ◆ Älä käytä työkalua niin, että olet linjassa terän kanssa. Pidä muut henkilöt poissa työalueelta.
- ◆ Varo leikkausjätettä ja leikattavaa materiaalia. Ne voivat olla teräväreunaisia ja kuumia. Anna irronneiden osien jäähtyä ennen käsittelyä.
- ◆ Kipinäsuoja kuumenee käytön aikana. Älä kosketa tai säädä kipinäsuojaa heti sahuksen jälkeen.
- ◆ Kalkaise virta ja odota, että terän liike on kokonaan pysähtynyt, ennen kuin liikutat työkalua tai muutat sen asetuksia.
- ◆ Kun olet sammuttanut työkalun, älä koskaan yritä pysäyttää terää painamalla sen syrjää.
- ◆ Älä käytä leikkuneiteitä. Ne voivat sytyä palamaan tai aiheuttaa sähköiskun.
- ◆ Tarkista, että työstettävä kappale on kunnolla kannateltu.
- ◆ Käytä vain valmistajan suosittelemia teriä. Älä koskaan käytä sirkkeliä tai muita hampaistettuja teriä.
- ◆ Terän korkeimman sallitun nopeuden tulee aina olla yhtä kuin tai nopeampi kuin työkalun kuormittamaton nopeus, joka määrittellään sen nimikyltissä.
- ◆ Älä käytä teriä, jotka eivät vastaa teknisissä tiedoissa mainittuja mittoja.
- ◆ Varmista aina ennen käyttöä, että terä on asennettu oikein.
- ◆ Anna työkalun käydä kuormittamatta turvallisessa asennossa ainakin 30 sekunnin ajan. Jos tällöin esiintyy huomattavaa värinää tai jokin muu vika käy ilmi, sammuta työkalu ja tarkista se vian syy löytämiseksi.
- ◆ Älä käytä teriä sivuttaisessa hionnassa.
- ◆ Älä käytä työkalua betonin, tiilen, kaakelin tai keraamisten materiaalien leikkaamiseen.
- ◆ Älä käytä työkalua puun, muovin tai synteettisten materiaalien leikkaamiseen.
- ◆ Älä käytä työkalua valurautamateriaalien leikkaamiseen.
- ◆ Älä koskaan leikkaa magnesiumista valmistettuja materiaaleja.

- ◆ Älä käytä työkalua sähköistettyjen materiaalien leikkaamiseen.
- ◆ Käytä työkalua hyvin ilmastoidussa tilassa. Älä käytä työkalua helposti syttyvien nesteiden, kaasujen tai pölyn läheisyydessä. Leikkauksessa syntyvät kipinät tai kuumat kappaleet sekä moottorissa syntyvät kipinät voivat sytyttää helposti syttyvän materiaalin.
- ◆ Puhdista ilma-aukot säännöllisesti työskennellessäsi pölyisissä olosuhteissa. Jos ilma-aukot täytyy puhdistaa, muista irrottaa työkalu verkkovirrasta ensin.
- ◆ Säilytä terät kuivassa, turvallisessa paikassa poissa lasten ulottuvilta.
- ◆ **Varoitus!** Tämän työkalun käyttö voi tuottaa pölyä, joka sisältää kemikaaleja, joiden tiedetään aiheuttavan syöpää, synnynnäisiä epämuodostumia ja muunlaisia lisääntymishäiriöitä. Käytä asiaankuuluvia hengityssuojaimia.



Varoitus! Käytä vain pyörösahakiekkoja, joiden paksuus on korkeintaan 3 mm ja halkaisija korkeintaan 355 mm.

Varoitus!

Kiekko pyörii vielä hetken työkalun sammuttamisen jälkeen.

- ◆ Käytä vain vahvistettuja kiekkoja, jotka kestävät 4300 rpm:n tai korkeamman kierrosnopeuden.
- ◆ Käytä aina suojalaseja, muita suojaimia, soveltuvaa hengityssuojausta ja kiinnitä työstettävä kappale ruuvipenkkiin.

Seuraavat seikat vaikuttavat äänen voimakkuuteen:

- ◆ työstettävä materiaali
- ◆ käytettävän terän tyyppi
- ◆ syöttövoima
- ◆ **Varoitus!** Käytä asianmukaisia kuulosuojaimia.

Muut riskit

Näiden työkalujen käyttöön liittyvät seuraavat riskit:

- ◆ pyörivien osien koskettamisen aiheuttamat vahingot
- ◆ terän pysäyttämisen aiheuttamat vahingot

Nämä riskit ovat vakavimmillaan:

- ◆ toiminta-alueen sisäpuolella
- ◆ työkalun pyörivien osien läheisyydessä

Tiettyjä muita riskejä ei voi välttää, vaikka noudatet kaikkiä turvamaäräyksiä ja käytät turvalaitteita. Niitä ovat seuraavat:

- ◆ Kuulovauriot.
- ◆ Pyörivän terän peittämättömien osien aiheuttama onnettomuusriski.
- ◆ Onnettomuusriski terää vaihdettaessa.
- ◆ Riski, että sormet jäävät puristuksiin suojaimia avattaessa.

Sähköturvallisuus



Tämä laite on kaksoeristetty, joten erillistä maadoitusta ei tarvita.

Tarkista aina, että verkkojännite vastaa arvokilvessä ilmoitettua jännitettä. Älä yritä korvata laturyksikköä tavallisella verkkopistokkeella.

- ◆ Jos virtajohto vahingoittuu, sen vaihtaminen tulee turvallisuussyistä jättää valmistajan tai valtuutetun Black & Decker -huollon tehtäväksi.

Äkilliset jännitepudotukset

Äkilliset virtapiikit aiheuttavat lyhytaikaisia jännitepudotuksia. Jos virransaantiolosuhteet ovat epäsuotuisat, muut kojeet voivat kärsiä.

Mikäli järjestelmän sähkösaannin estyminen on pienempi kuin 0.12 Ω, häiriöitä ei todennäköisesti havaita.

Varoitusmerkinnät

Työkalussa on seuraavat varoitusmerkinnät:



Varoitus! Käyttäjän on luettava käyttöohje vahinkojen välttämiseksi.



Käytä aina suojalaseja.



Käytä aina kuulosuojaimia.

Yleiskuvaus

Tässä työkalussa on joitakin tai kaikki seuraavista ominaisuuksista.

- Lukitusketju
- Kipinöiden ulosheittoaukon ruuvi
- Kipinöiden ulosheittoaukko
- Jalusta
- Este
- Ruuvipenkki
- Litite jakoavain
- Kampi
- Ruuvipenkin vipu
- Terä
- Suojus
- Karalukko
- Syvyysrajoittimen salpa ja lukitusmutteri
- Liipaisinkytkin
- Riippulukon reikä
- Esteen salpa

Kokoaminen

Varoitus! Sammuta työkalu ja irrota se virtalähteestä ennen kuin teet mitään säätöjä, poistat mitään osia tai kiinnität

lisäosan tai -laitteen. Varmista, että liipaisinkytkin on pois-asennossa. Älä tee mitään säätöjä terän ollessa liikkeessä.

Terän kiinnittäminen ja irrottaminen (kuva 7 - kuva 8)

- ◆ Paina karalukon painiketta (L).
- ◆ Pyöritä terää (J) kunnes se lukittuu.
- ◆ Irrota pultti (S) liiteää jakoavainta (G)käyttäen kääntämällä sitä vastapäivään ja irrota sitten priikka (T) ja laippa (U).
- ◆ Tarkista, että välikappale (R) on paikallaan laippaa vasten.
- ◆ Vaihda terä (J). Varmista, että uusi terä on asetettu välikappaleen (R) kohdalle oikeassa pyörimissuunnassa.
- ◆ Kiinnitä terä laipalla (U), priikalla (T) ja pultilla (S).
- ◆ Paina karalukon painiketta (L).
- ◆ Pyöritä terää (J) kunnes se lukittuu.
- ◆ Pyöritä liiteää jakoavainta (G)myötäpäivään kiristäaksesi pultin (S).
- ◆ Laske suojuus takaisin alas ja vapauta karalukko (L).
- ◆ Leikkaussyvyyden säätäminen tarpeen mukaan.

Leikkaussyvyyden säätö (kuva 1)

Leikkaussyvyyttä voidaan säätää terän kulumisen mukaan.

- ◆ Pyöritä terää työkalun ollessa poissa päältä ja tarkista vapaan tilan määrä.
- ◆ Jos säätöä tarvitaan, toimi seuraavasti:
- ◆ Vapauta lukitusmutteriä (M) muutaman kierroksen verran.
- ◆ Käänä syvyyssrajoittimen salvan pulttia (M) sisään tai ulospäin, kunnes leikkaussyvyys on sopiva.
- ◆ Kiristä lukitusmutteri (M).

Varoitus: Muista aina säätää syvyyssrajoitin takaisin alkuperäiseen asentoon terän vaihtamisen jälkeen.

Työstettävän kappaleen kiinnittäminen paikoilleen (kuva 2 - kuva 4)

Työkalu on varustettu ruuvipenkillä (F)

- ◆ Vedä vipua (I) kahvaa (H)kohti.
- ◆ Työnnä ruuvia (F) eteenpäin, kunnes leuka on melkein kiinni työstettävässä kappaleessa.
- ◆ Paina vipua (I) leukoja kohti, kunnes se kytkeytyy puristimen akseliin.
- ◆ Kierrä kahvaa (H) myötäpäivään ja kiinnitä työstettävä kappale turvallisesti.
- ◆ Halutessasi irrottaa kappaleen, kierrä kahvaa (H) vastapäivään.
- ◆ Leikkaustilavuutta parantaaksesi voit asettaa lisäkappaleen työstettävän kappaleen alle. Lisäkappaleen tulisi olla hieman kapeampi kuin työstettävä kappale.

Varoitus: Kannattele pitkiä työstettäviä kappaleita puupalan avulla. Älä kiinnitä katkaistavaa päätä.

Mahdollisuus nopeaan siirtoon (kuva 4)

Ruuvipuristimessa on nopean siirron mahdollisuus.

- ◆ Irrottaaksesi puristimen käännä kahvaa (H) yksi tai kaksi käännöstä vastapäivään ja vedä vipua (I) kahvaa (H)kohti.

Puristusasennon säätäminen (kuva 5)

Puristusasettoa voidaan säätää terän asennon mukaan.

- ◆ Poista estepultit (P) liiteällä jakoavaimella (G).
- ◆ Siirrä estettä (E) tarpeen mukaan.
- ◆ Kiinnitä estepultit (P) uudelleen ja kiristä ne lukitaksesi esteen (E).

Leikkauskulman säätö (kuva 6)

Työkalua voidaan käyttää vinosahaukseen aina 45° kulmaan asti.

- ◆ Löysää estepultit (P) vapauttaaksesi esteen (E).
- ◆ Säädä este (E) haluttuun kulmaan. Vinosahauskulman voit lukea asteikolta (Q).
- ◆ Kiristä estepultit (P) lukitaksesi esteen (E)paikalleen.

Vinosahauskulman tarkastus ja säätö (kuva 6)

- ◆ Löysää estepultit (P) vapauttaaksesi esteen (E).
- ◆ Vedä varsi alas ja lukitse se tähän asentoon kiinnittämällä lukitusketju (A).
- ◆ Aseta neliö estettä (E) ja terän vasenta reunaa vasten, niin että se luo täydellisen 90° asteen kulman. Tarkista, että asteikon (Q) 0° merkintä on linjassa jalustan (D) kanssa.
- ◆ Kiristä estepultit (P) lukitaksesi esteen (E)paikalleen.
- ◆ Poista lukitusketju (A) ja palauta varsi yläasentoon.

Kipinöiden ulosheittoaukon säätäminen (kuva 1)

- ◆ Löysää ruuvi (B).
- ◆ Aseta kipinöiden ulosheittoaukko(C) sopivaan asentoon.
- ◆ Kiristä ruuvi (B).

Käyttö

Varoitus: Noudata aina turvallisuusohjeita ja soveltuvia asetuksia.

Varoitus: Älä altista työkalua liian suurelle paineelle.

Varoitus: Vältä ylikuormittamista. Jos työkalu kuumenee, anna sen käydä muutaman minuutin ajan kuormittamatta.

Leikkausteho

Ruuvipuristimen laaja aukko ja korkea nivelpiste mahdollistavat monien suurien kappaleiden leikkaamisen. Käytä leikkaustehotaulukkoa määrittäessäsi suurimman kappaleen, jota uudella terällä on mahdollista leikata.

Huomio: Jotkin suuret, pyöreät tai epämääräisen muotoiset kappaleet voivat vaatia lisäpidikkeitä, jos niitä ei voi kiinnittää turvallisesti ruuvipuristimeen.

Huomio: Älä leikkaa tällä työkalulla magnesiumia.

Korkein leikkausteho

Huomautus: Tässä taulukossa näkyvät tehot voidaan saavuttaa uudella terällä ja esteen ollessa optimiasennossa.

Kappaleen muoto				
90° leikkauskulma	A = 4-7/8" (125mm)	A = 4-1/2" (115mm)	4-1/2" x 5-1/8"(115mm x 130mm)4" x 7-5/8"(115mm x 130mm)3" x 7-3/8"(115mm x 130mm)	A = 4-1/2" x 5-3/8" (115mm x 137mm)
45° Leikkauskulma	A= 4-1/2" (115mm)	A = 3-13/16" (98mm)	4-1/2" x 3-13/16"4-1/8" x 3-3/4"(105mm x 95mm)	A = 3-13/16" 3-3/4" (95mm)

Ennen käyttöä:

- ◆ Asenna sopiva terä. Älä käytä erittäin kuluneita teriä. Työkalun maksimipyörimisnopeus ei saa olla terän maksimipyörimisnopeutta suurempi.
- ◆ Varmista, että terä pyörii lisäosassa ja työkalussa olevien osoitinnuolien suuntaan.
- ◆ Kiinnitä työstettävä kappale.
- ◆ Aseta aina kipinäoiden heittoaukko oikeaan asentoon.

Käynnistys ja pysäytys (kuva 1)

Liipaisinkytkin (N) on sijoitettu käyttövarteen.

- ◆ Kytke työkalu päälle painamalla liipaisinkytkintä (N).
- ◆ Pidä liipaisinkytkin painettuna työvaiheen aikana.
- ◆ Pysäytäaksesi työkalun, vapauta liipaisinkytkin (N).

Varoitus: Älä käynnistä tai pysäytä työkalua sen ollessa kuormitettuna.

Varoitus: Työkalun luvattoman käytön estämiseksi asenna tavallinen riippulukko (ei mukana) riippulukon reikään (O), joka sijaitsee liipaisinkytkimessä.



Varoitus! Älä leikkaa magnesiumia.

Saat lisätietoja saatavilla olevista soveltuvista tarvikkeista jälleenmyyjältäsi.

Leikkaaminen (kuva 1)

- ◆ Aseta leikattava materiaali estettä (E) vasten ja kiinnitä se ruuvipuristimella (F).
- ◆ Kytke työkalu päälle ja vedä varresta alaspäin leikataksesi työstettävän kappaleen. Anna moottorin saavuttaa täysi vauhti ennen kuin leikkaat.
- ◆ Anna terän leikata vapaasti. Älä pakota terää.
- ◆ Kun leikkaus on suoritettu, sammuta työkalu ja palauta varsi lepoon yläasentoon.

Kuljetus (kuva 1)

Työkalu on varustettu lukitusketjulla (A), joka lukitsee sen sammutettuun asentoon kuljettamisen ajaksi.

Varoitus: Varmista, että työkalu on poissa päältä ja virtajohto irrotettu virtalähteestä ennen sen kuljettamista.

- ◆ Laske suojuus (K) leikkaupöydän jalustan (D) päälle ja lukitse työkalu tähän asentoon kiinnittämällä lukitusketju varressa olevaan koukkuun.
- ◆ Kuljeta työkalua sen kantokahvoista kantaan.
- ◆ Paina vartta hieman ja irrota lukitusketju (A) vapauttaaksesi työkalun.

Huolto

Verkkojohdolla varustettu tai verkkojohdoton Black & Deckerin laite/työkalu on suunniteltu toimimaan mahdollisimman kauan mahdollisimman vähällä huollolla. Oikealla huollolla ja säännöllisellä puhdistuksella laite/työkalu säilyttää suorituskykynsä.

Varoitus! Ennen verkkojohdolla varustetun tai verkkojohdoton laitteen/työkalun huoltoa toimi seuraavasti.

- ◆ Sammuta laite ja poista paristo laitteesta.
- ◆ Pidä ilma-aukko puhtaina ja puhdista kotelo säännöllisesti pehmeällä rievulla.
- ◆ Älä käytä syövyttäviä puhdistusaineita.

Moottorin harjan tarkistaminen ja vaihtaminen (kuva 9)

Varoitus! Sammuta työkalu ja irrota se verkkovirrasta.

Varmista, että liipaisinkytkin on pois-asennossa.

Harja tulisi tarkistaa säännöllisin väliajoin kulumisen varalta.

Tarkistaaksesi harjat, irrota kansi (W). Harjojen (V) tulisi liikkua vapaasi harjalaatikossa. Jos harjat ovat kuluneet 8 mm:n (0,3") pituisiksi, kuten kuvassa 9 näkyy, ne tulisi vaihtaa.

Asentaaksesi harjan uudelleen, työnnä uusi harja harjalaatikkoon. Jos vaihdat olemassa olevia harjoja, säilytä sama asento kuin vanhaa harjaa poistettaessa. Aseta kansi takaisin paikoilleen (älä kiristä sitä liikaa).

Puhdistaminen

Pölyn ja lian puhaltaminen kotelosta ilmapuhaltimen avulla on suositeltavaa ja se voidaan tehdä niin usein, kun lian voidaan todeta keraantuvan ilma-aukkojen ympärille. Käytä aina soveltuvia silmä- ja hengityssuojaimia.

Korjaaminen

TURVALLISUUDEN ja LUOTETTAVUUDEN turvaamiseksi korjaukset, huollot ja säädöt tulisi suorittaa valtuutetussa huoltokeskuksissa tai jossain muussa pätevässä huoltoyhtiössä käyttäen aina identtisiä varaosia.

Voitelu

Työkaluissa käytetään vain rasva-suljettuja kuulalaakereita. Näihin kuulalaakereihin on tehtäällä laitettu tarpeeksi voitelua pyöröosan koko käyttöiän ajaksi.

Lisävarusteet

Huomio! Sellaisten muiden lisävarusteiden käyttö, joita ei ole suositeltu käytettäväksi laitteen kanssa, saattaa johtaa vaaratilanteeseen.

Käytä vain vahvistettuja 1 tyyppin organisesti liimattuja kiekkoja, jotka kestävät 4300 rpm:n tai korkeamman kierrosnopeuden.

Suositteluja lisävarusteita työkaluusi on saatavilla lisämaksusta paikalliselta myyjältäsi tai valtuutetusta huoltokeskuksesta.

Ympäristönsuojelu



Erillinen keräys. Tätä tuotetta ei saa hävittää normaalin kotitalousjätteen mukana.

Kun Black & Decker -laitteesi aikanaan täytyy vaihtaa tai ei kelpaa enää käyttöön, älä hävitä laitetta kotitalousjätteen mukana. Toimita laite kierrätettäväksi.



Käytettyjen tuotteiden ja pakkausmateriaalin erilliskeruun avulla materiaalit voidaan kierrättää ja käyttää uudelleen. Kierrätysmateriaalien käyttö auttaa vähentämään ympäristön saastumista ja uusien raaka-aineiden tarvetta.

Paikallisissa säädöksissä voidaan määrätä, että kodin sähkötuotteiden keruu tapahtuu kaupunkien jätteidenkäsittelyasemilla tai laitteita myyvissä liikkeissä uuden tuotteen oston yhteydessä.

Kun laitteesi on käytetty loppuun, älä hävitä sitä tavallisten roskien mukana, vaan vie se paikkakuntasi kierrätyskeskukseen tai jätä se valtuutettuun Black & Deckerin huoltoliikkeeseen.

Tiedot valtuutetuista huoltoliikkeistä saa ottamalla yhteyden Black & Decker Oy:hyn tässä käyttöohjeessa ilmoitetussa osoitteessa. Valtuutettujen Black & Decker -huoltoliikkeiden yhteystiedot sekä lisätietoja palveluistamme ja takuehdoista on myös Internetissä osoitteessa: www.2helpU.com

Tekniset tiedot

		CS355 (Type1)
Jännite	V _{ac}	230
Ottoteho	W	2,300
Kuormittamalon nopeus	min ⁻¹	3,800
Terän ulko-osan vähimmäisnopeus	m/s	80
Sahanterän halkaisija	mm	355
Terän sisäläpimitta	mm	25.4
Terän hampaan leveys	mm	3
Käytettävän terän tyyppi	Suora, ei-upotettu	
Leikkausteho 90°		
Pyöreä	mm	125
Neliö	mm	115
Suorakulmio	mm	115 x 130
Kulmikas	mm	137 x 137
Leikkausteho 45°		
Pyöreä	mm	115
Neliö	mm	98 x 98
Suorakulmio	mm	105 x 95
Kulmikas	mm	95 x 95
Paino	kg	18

		CS355 (Type1)
LpA (äänenpaine)	dB(A)	93.1
Epätarkkuus(K)	dB(A)	3
LWA (äänitehotaso)	dB(A)	105.3
Epätarkkuus(K)	dB(A)	3
Tärinä	m/s ²	6.46
Epätarkkuus(K)	m/s ²	1.5

EY-vaatimustenmukaisuusvakuutus

KONEDIREKTIIVI



CS355

Black & Decker ilmoittaa, että tuotteet, jotka on kuvattu kohdassa Tekniset tiedot, täyttävät seuraavien direktiivien vaatimukset:

2006/42/EC, EN61029-1, EN61029-2-10

Lisätietoja saa ottamalla yhteyden Black & Deckeriin seuraavassa osoitteessa. Tiedot ovat myös käyttöohjeen takakannessa.

Allekirjoittanut vastaa teknisten tietojen kokoamisesta ja antaa tämän ilmoituksen Black & Deckerin puolesta.

Kevin Hewitt
Vice-President Global Engineering
Black & Decker Europe, 210 Bath Road, Slough,
Berkshire, SL1 3YD
Yhdistynyt kuningaskunta
27/05/2010

Takuu

Black & Decker takaa, ettei tuotteessa ole materiaali- ja/tai valmistusvikaa silloin, kun se toimitetaan ostajalle. Takuu on lisäys kuluttajan laillisiin oikeuksiin eikä vaikuta niihin. Takuu on voimassa Euroopan unionin jäsenvaltioissa ja Euroopan vapaakauppa-alueella (EFTA).

Mikäli Black & Decker -kone hajoaa materiaali- ja/tai valmistusvirheen tai teknisten tietojen epätarkkuuden vuoksi 24 kk:n kuluessa ostopäivästä, Black & Decker korjaa koneen ilman kustannuksia ostajalle tai vaihtaa sen Black & Decker Oy:n valinnan mukaan. Takuu ei kata vikoja, jotka johtuvat seuraavista:

- ◆ Tuotetta on käytetty kaupallisesti, ammattimaisesti tai vuokraukseen.
- ◆ Tuotetta on käytetty tai hoidettu virheellisesti.
- ◆ Tuotetta on vahingoitettu vieraalla esineellä tai aineella tai se on ollut onnettomuudessa.
- ◆ Jos korjauksia on yrittänyt joku muu kuin Black & Deckerin valtuuttama edustaja tai Black & Deckerin henkilökunta.

Edellytyksenä takuun saamiselle on, että ostaja toimittaa ostokuitin jälleenmyyjälle tai valtuutetulle huoltoliikkeelle. Tiedot valtuutetuista huoltoliikkeis

tä saa ottamalla yhteyden Black & Decker Oy:hyn tässä käyttöohjeessa ilmoitetussa osoitteessa. Valtuutettujen Black & Decker -huoltoliikkeiden yhteystiedot sekä lisätietoja palveluistamme ja takuuehdoista on myös Internetissä osoitteessa: www.2helpU.com

Voit rekisteröidä uuden Black & Decker -tuotteesi ja tarkastella tietoja uusista tuotteista ja erikoistarjousista verkkosivuiltamme www.blackanddecker.fi. Saat lisätietoja Black & Deckerin tavaramerkistä ja tuotevalikoimastamme osoitteesta www.blackanddecker.fi.

Ενδειγμένη χρήση

Το δισκοπρίοιο Black & Decker έχει σχεδιαστεί για την κοπή υλικών χάλυβα διαφόρων σχημάτων. Αυτό το προϊόν προορίζεται για ερασιτεχνική χρήση μόνο.

Οδηγίες ασφαλείας

Γενικές προειδοποιήσεις ασφαλείας για τα ηλεκτρικά εργαλεία



Προειδοποίηση!

Κατά τη χρήση ηλεκτρικών εργαλείων, πάντοτε τηρείτε τους κανονισμούς ασφαλείας που ισχύουν στη χώρα σας για να μειώσετε τον κίνδυνο πυρκαγιάς, ηλεκτροπληξίας και προσωπικού τραυματισμού.

- ◆ Πριν χρησιμοποιήσετε τη συσκευή διαβάστε προσεκτικά ολόκληρο το εγχειρίδιο.
- ◆ Η προοριζόμενη χρήση περιγράφεται σε αυτό το εγχειρίδιο. Τόσο η χρήση εξαρτημάτων ή προσαρτημάτων όσο και η πραγματοποίηση εργασιών με τη συσκευή που δε συνιστώνται σε αυτό το εγχειρίδιο οδηγούν εν γένει κίνδυνο τραυματισμού.
- ◆ Φυλάξτε αυτό το εγχειρίδιο για μελλοντική αναφορά.

1. Διατηρείτε το χώρο που εργάζεστε καθαρό

Οι ακατάστατοι χώροι και πάγκοι μπορεί να οδηγήσουν σε ατυχήματα.

2. Σκεφτείτε το περιβάλλον του χώρου εργασίας

Μην εκθέτετε το εργαλείο στη βροχή. Μην χρησιμοποιείτε το εργαλείο σε οποιεσδήποτε συνθήκες υγρασίας. Διατηρείτε το χώρο που εργάζεστε καλά φωτισμένο (250 - 300 Lux). Μην χρησιμοποιείτε το εργαλείο όπου υπάρχει κίνδυνος πρόκλησης πυρκαγιάς ή έκρηξης, π.χ. όταν υπάρχουν εύφλεκτα υγρά και αέρια.

3. Λάβετε τις κατάλληλες προφυλάξεις κατά της ηλεκτροπληξίας

Αποφύγετε την επαφή του σώματός σας με γειωμένες επιφάνειες (π.χ. σωλήνες, θερμαντικά σώματα (καλοριφέρ), κουζίνες και ψυγεία). Κατά τη χρήση του εργαλείου υπό ακραίες συνθήκες (π.χ. υψηλή υγρασία, όταν παράγονται μεταλλικά ρινίσματα, κλπ.), Η ηλεκτρική ασφάλεια μπορεί να βελτιωθεί ακόμα περισσότερο με τη χρήση μιας Διάταξης Προστασίας Ρεύματος Διαρροής (RCD) 30 mA υψηλής ευαισθησίας.

4. Κρατήστε άλλα άτομα μακριά

Μην επιτρέπετε σε άτομα, ειδικά παιδιά, που δεν εμπλέκονται στην εργασία να αγγίζουν το εργαλείο ή το καλώδιο πρόεκτασης και κρατήστε τα μακριά από το χώρο εργασίας.

5. Να φυλάτε τα εργαλεία που δε χρησιμοποιείτε

Όταν δε χρησιμοποιούνται, τα εργαλεία πρέπει να φυλάσσονται σε στεγνό χώρο, και να κλειδώνονται με ασφάλεια μακριά από παιδιά.

6. Μην υπερφορτώνετε το εργαλείο

Θα επιτύχει το σκοπό καλύτερα και ασφαλέστερα στην ονομαστική περιοχή ισχύος για την οποία προορίζεται.

7. Χρησιμοποιήστε το σωστό εργαλείο

Μην πιέζετε μικρά εργαλεία να επιτύχουν την εργασία ενός εργαλείου βαρέως τύπου. Μην χρησιμοποιείτε το εργαλείο για εργασίες για τις οποίες δεν προορίζεται, για παράδειγμα μη χρησιμοποιείτε δισκοπρίονα για να κόψετε κλαδιά δέντρων ή κορμούς.

8. Φοράτε κατάλληλη ενδυμασία εργασίας

Μη φοράτε φαρδιά ρούχα ή κοσμήματα καθώς μπορεί να εμπλακούν στα κινούμενα εξαρτήματα. Φοράτε προστατευτικό κάλυμμα των μαλλιών για τη συγκράτηση των μακρών μαλλιών. Όταν εργάζεστε στο ύπαιθρο, κατά προτίμηση φοράτε κατάλληλα γάντια και αντιολισθητικά υποδήματα.

9. Χρησιμοποιείτε προστατευτικό εξοπλισμό

Φοράτε πάντα προστατευτικά γυαλιά. Χρησιμοποιείτε προσωπίδα ή μάσκα προστασίας από τη σκόνη οποτεδήποτε οι εργασίες μπορεί να παράγουν σκόνη ή ιπτάμενα σωματίδια. Εάν τα σωματίδια αυτά υπάρχουν σε ύψους σημαντικά υψηλή θερμοκρασία, φοράτε επίσης και ποδιά που να αντέχει στη θερμότητα. Φοράτε πάντοτε προστατευτικά για τα αυτιά. Φοράτε πάντοτε κράνος ασφαλείας.

10. Συνδέστε εξοπλισμό απαγωγής σκόνης

Αν παρέχονται εξαρτήματα σύνδεσης με διατάξεις αφαίρεσης και συλλογής της σκόνης, βεβαιωθείτε ότι συνδέονται και χρησιμοποιούνται σωστά.

11. Μην κακομεταχειριζόμαστε το καλώδιο

Ποτέ μη μεταφέρετε το εργαλείο από το καλώδιο. Ποτέ μην αποσυνδέετε από την πρίζα τραβώντας το καλώδιο. Διατηρείτε το καλώδιο σε απόσταση από πηγές θερμότητας, λάδια και κοφτερές αιχμές.

12. Στερεώστε το προς επεξεργασία αντικείμενο

Χρησιμοποιείτε σφιγκτήρες ή μια μέγερνη για να ασφαλίσετε το επεξεργαζόμενο αντικείμενο. Είναι ασφαλέστερο και αφήνει και τα δύο χέρια ελεύθερα για το χειρισμό του εργαλείου.

13. Μην τεντώνετε

Φροντίστε πάντοτε να έχετε την κατάλληλη στάση και να διατηρείτε την ισορροπία σας.

14. Συντηρείτε τα εργαλεία με φροντίδα

Διατηρείτε τα εργαλεία κοπής κοφτερά και καθαρά για καλύτερη και ασφαλέστερη απόδοση. Ακολουθήστε τις οδηγίες σε ό,τι αφορά τη λίπανση και την αλλαγή των

εξαρτημάτων. Επιθεωρείτε περιοδικά τα καλώδια του εργαλείου και εάν έχουν υποστεί ζημιά δώστε τα για επισκευή σε ένα εξουσιοδοτημένο κέντρο επισκευών. Επιθεωρείτε περιοδικά τα καλώδια προέκτασης και αντικαταστήστε το εάν παρουσιάζει ζημιά. Διατηρείτε τις λαβές στεγνές, καθαρές, χωρίς λάδι και γράσο.

15. Αποσυνδέστε το εργαλείο

Απενεργοποιείτε το εργαλείο και περιμένετε να ακινητοποιηθεί εντελώς προτού το αφήσετε χωρίς επιτήρηση. Αποσυνδέετε το εργαλείο από την πρίζα όταν δεν είναι σε χρήση, πριν αλλάξετε οποιοδήποτε εξάρτημα ή προσάρτημα του εργαλείου και πριν από τη συντήρηση.

16. Αφαιρέστε τυχόν εργαλεία ή κλειδιά ρύθμισης

Πάντοτε ελέγχετε ότι τα κλειδιά ρύθμισης και τα εργαλεία έχουν αφαιρεθεί από το εργαλείο πριν το χρησιμοποιήσετε.

17. Αποφεύγετε τη ακούσια ενεργοποίηση του εργαλείου

Μη μεταφέρετε το εργαλείο με το δάχτυλό σας στο διακόπτη. Βεβαιωθείτε ότι το εργαλείο είναι απενεργοποιημένο πριν το συνδέσετε στην πρίζα.

18. Χρησιμοποιήστε καλώδια προέκτασης για χρήση σε εξωτερικούς χώρους

Πριν από τη χρήση, ελέγξτε το καλώδιο προέκτασης και αντικαταστήστε το εάν παρουσιάζει ζημιά. Όταν χρησιμοποιείτε το ηλεκτρικό εργαλείο σε εξωτερικούς χώρους, να χρησιμοποιείτε μόνο καλώδια προέκτασης που προορίζονται για χρήση σε εξωτερικούς χώρους και φέρουν την αντίστοιχη σήμανση.

19. Παραμείνετε σε εγρήγορση

Προσέχετε τι κάνετε, χρησιμοποιείτε την κοινή λογική και μη χρησιμοποιείτε το εργαλείο όταν είστε κουρασμένοι.

20. Ελέγξτε για τυχόν κατεστραμμένα εξαρτήματα

Πριν από τη χρήση, ελέγξτε προσεκτικά το εργαλείο και το καλώδιο ρεύματος για τυχόν ζημιές. Ελέγξτε για σωστή ευθυγράμμιση και κόλλημα στα κινούμενα μέρη, για τυχόν σπασμένα εξαρτήματα, ζημιές στους προφυλακτήρες και διακόπτες, καθώς και οποιαδήποτε άλλη κατάσταση που μπορεί να επηρεάσει τη λειτουργία. Βεβαιωθείτε ότι το εργαλείο χρησιμοποιείται όπως προβλέπεται και ότι εκτελεί τη λειτουργία για την οποία προορίζεται. Μη χρησιμοποιείτε το εργαλείο εάν οποιοδήποτε εξάρτημα είναι κατεστραμμένο ή ελαττωματικό. Μη χρησιμοποιείτε το εργαλείο εάν ο διακόπτης δεν μπορεί να το ενεργοποιήσει και να το απενεργοποιήσει. Δώστε τα τυχόν χαλασμένα ή ελαττωματικά εξαρτήματα για αντικατάσταση σε ένα εξουσιοδοτημένο κέντρο επισκευών της Black & Decker. Μην επιχειρήσετε ποτέ να κάνετε μόνοι σας οποιαδήποτε επισκευή.

21. Προειδοποίηση!

Η χρήση οποιοδήποτε αξεσουάρ ή προσαρτήματος ή η εκτέλεση οποιασδήποτε εργασίας με αυτό το εργαλείο η οποία δε συστήνεται στο παρόν εγχειρίδιο οδηγιών, ενδέχεται να εγκυμονεί κίνδυνο τραυματισμού.

22. Το σέρβις του εργαλείου σας πρέπει να το αναλαμβάνει έμπειρος τεχνικός

Αυτό το εργαλείο πληροί τις σχετικές απαιτήσεις ασφαλείας. Δώστε το εργαλείο σας για επισκευή σε ένα εξουσιοδοτημένο κέντρο επισκευών της Black & Decker. Οι επισκευές θα πρέπει να γίνονται μόνο από ειδικευμένα άτομα και με τη χρήση αποκλειστικά γνήσιων ανταλλακτικών, διαφορετικά υπάρχει το ενδεχόμενο σοβαρού κινδύνου για το χρήστη.

Συμπληρωματικές οδηγίες ασφαλείας για τα δισκοκόπια

- ◆ Να φοράτε πάντα κανονικά γάντια εργασίας κατά το χειρισμό του εργαλείου.
- ◆ Μην πλησιάζετε τα χέρια σας στο δίσκο κοπής. Ποτέ μην κόβετε αντικείμενα τα οποία απαιτούν χειρισμούς με το χέρι πλησιέστερα των 15 cm από τον περιστρεφόμενο δίσκο κοπής.
- ◆ Μην κόβετε αντικείμενα με πάχος μικρότερο των 1,2 mm όταν χρησιμοποιείτε το δίσκο κοπής που παρέχεται με το εργαλείο αυτό.
- ◆ Μη χρησιμοποιείτε αυτό το εργαλείο χωρίς τα προστατευτικά στη θέση τους.
- ◆ Μην πραγματοποιείτε οποιαδήποτε εργασία ελεύθερα με το χέρι. Χρησιμοποιήστε σφιγκτήρα για να συγκρατήσετε με ασφάλεια το αντικείμενο προς επεξεργασία.
- ◆ Ποτέ μην πλησιάζετε τα χέρια σας στο πίσω μέρος του δίσκου κοπής.
- ◆ Πάντοτε τοποθετείτε το εργαλείο σε μια επίπεδη, σταθερή επιφάνεια η οποία είναι καλά συντηρημένη και δεν έχει χαλαρά υλικά, π.χ. θραύσματα ή κομμένα κομμάτια.
- ◆ Πριν τη χρήση, επιθεωρήστε το δίσκο κοπής για ρωγμές και ελαττώματα. Απορρίψτε το δίσκο κοπής εάν είναι εμφανίζει ρωγμές ή ελαττώματα.
- ◆ Βεβαιωθείτε ότι ο δίσκος κοπής δεν έρχεται σε επαφή με το προς επεξεργασία αντικείμενο πριν ενεργοποιηθεί το εργαλείο.
- ◆ Κατά τη λειτουργία, αποφύγετε να προκαλέσετε την αναπήδηση του δίσκου κοπής ή την κακομεταχείρισή του. Εάν συμβεί αυτό, σταματήστε το εργαλείο και επιθεωρήστε το δίσκο κοπής.
- ◆ Μη χρησιμοποιείτε το εργαλείο όταν στέκεστε στην ευθεία με το δίσκο κοπής. Κρατήστε άλλα άτομα μακριά από το χώρο εργασίας.
- ◆ Προσέχετε για θραύσματα κοπής και το υλικό που κόβεται. Μπορεί να είναι αιχμηρά και καυτά. Αφήστε τα κομμένα τμήματα να κρυσώσουν πριν τα χειριστείτε.

- ♦ Ο εκτροπέας σπινθήρων θερμαίνεται κατά τη χρήση. Αποφύγετε να αγγίξετε ή να ρυθμίσετε τον εκτροπέα σπινθήρων αμέσως μετά τη λειτουργία.
- ♦ Απενεργοποιήστε το εργαλείο και περιμένετε να ακινητοποιηθεί ο δίσκος κοπής πριν μετακινήσετε το προς επεξεργασία αντικείμενο ή αλλάξετε τη ρύθμιση.
- ♦ Μετά την απενεργοποίηση, ποτέ μην προσπαθήσετε να ακινητοποιήσετε το δίσκο κοπής πιέζοντάς τον στο πλευρό του.
- ♦ Μην χρησιμοποιήσετε υγρά κοπής. Τα υγρά αυτά μπορεί να αναφλεγούν ή να προκαλέσουν ηλεκτροπληξία.
- ♦ Ελέγξτε ότι το προς επεξεργασία αντικείμενο είναι σωστά στερεωμένο.
- ♦ Χρησιμοποιείτε μόνο τους δίσκους κοπής που συνιστώνται από τον κατασκευαστή. Ποτέ μη χρησιμοποιείτε στρουγγυλές πριονόλαμες ή άλλους τύπους οδοντωτής λάμας.
- ♦ Η μεγ. επιτρεπόμενη ταχύτητα του δίσκου κοπής πρέπει πάντοτε να είναι ίση ή μεγαλύτερη από την ταχύτητα του εργαλείου χωρίς φορτίο, όπως καθορίζεται στην πινακίδα τεχνικών στοιχείων του εργαλείου.
- ♦ Μην χρησιμοποιείτε δίσκους κοπής που δε συμμορφώνονται με τις διαστάσεις που καθορίζονται στα τεχνικά στοιχεία.
- ♦ Βεβαιωθείτε ότι ο δίσκος κοπής έχει τοποθετηθεί σωστά πριν από τη χρήση.
- ♦ Αφήστε το εργαλείο να λειτουργήσει χωρίς φορτίο σε ασφαλή θέση τουλάχιστον για 30 δευτερόλεπτα. Εάν υπάρχει σημαντικός κραδασμός ή οποιοδήποτε άλλο ελάττωμα, σταματήστε το εργαλείο και ελέγξτε το για να διαπιστώσετε την αιτία.
- ♦ Μην χρησιμοποιήσετε τους δίσκους κοπής για πλευρικό τρίψιμο.
- ♦ Μην κόβετε σκυρόδεμα, τούβλα, πλακίδια ή κεραμικά υλικά.
- ♦ Μην κόβετε ξύλο, πλαστικά ή συνθετικά υλικά.
- ♦ Μην κόβετε χυτοσίδηρα υλικά.
- ♦ Ποτέ μην κόβετε υλικά μαγνησίου.
- ♦ Μην κόβετε υλικά υπό ηλεκτρική τάση.
- ♦ Χρησιμοποιήστε αυτό το εργαλείο σε έναν καλά αεριζόμενο χώρο. Μην χρησιμοποιείτε το εργαλείο κοντά σε εύφλεκτα υγρά, αέρια ή σκόνη. Σπινθήρες ή καυτά ρινίσματα από την κοπή ή ψήκρες του κινητήρα που δημιουργούν ηλεκτρικό τόξο μπορεί να προκαλέσουν την ανάφλεξη εύφλεκτων υλικών.
- ♦ Καθαρίζετε τακτικά τις εγκοπές εξαερισμού όταν εργάζεστε σε περιβάλλον με σκόνη. Εάν καταστεί αναγκαίο να καθαριστούν οι εγκοπές, θυμηθείτε πρώτα να αποσυνδέσετε το εργαλείο από την πρίζα.
- ♦ Οι δίσκοι κοπής πρέπει να φυλάσσονται πάντα σε ένα καλά προστατευμένο και στεγνό χώρο, μακριά από παιδιά.

♦ **Προειδοποίηση!** Η χρήση αυτού του εργαλείου μπορεί να προκαλέσει την παραγωγή σκόνης που περιέχει χημικά τα οποία είναι γνωστό ότι προκαλούν καρκίνο, γενετικές ανωμαλίες ή άλλες αναπαραγωγικές βλάβες. Χρησιμοποιήστε κατάλληλη αναπνευστική προστασία.



Προειδοποίηση! Χρησιμοποιήστε μόνο τροχό δισκοπριονίου με μέγιστο πάχος 3 mm και μέγιστη διάμετρο 355mm.

Προειδοποίηση!

Ο τροχός κοπής θα συνεχίσει να κινείται και μετά την απενεργοποίηση του εργαλείου.

- ♦ Χρησιμοποιείτε μόνο ενισχυμένους τροχούς με ονομαστικές στροφές 4300 σαλ ή περισσότερες.
- ♦ Να φοράτε πάντα προστατευτικά γυαλιά, χρησιμοποιείτε προστατευτικό, σφίγγετε το αντικείμενο προς επεξεργασία σε μέγερνη, χρησιμοποιείτε κατάλληλη αναπνευστική προστασία.

Οι παρακάτω παράγοντες επηρεάζουν την παραγωγή θορύβου:

- ♦ το υλικό που θα κοπεί
- ♦ ο τύπος του δίσκου κοπής
- ♦ η δύναμη τροφοδοσίας
- ♦ **Προειδοποίηση!** Λαμβάνετε τα απαραίτητα μέτρα για την προστασία της ακοής σας.

Αναπόφευκτοι κίνδυνοι

Οι παρακάτω κίνδυνοι είναι εγγενείς με τη χρήση αυτών των μηχανημάτων:

- ♦ τραυματισμοί από το άγγιγμα των περιστρεφόμενων εξαρτημάτων
- ♦ τραυματισμοί που προκαλούνται από διαταραχή του δίσκου κοπής

Αυτοί οι κίνδυνοι είναι πλέον εμφανείς:

- ♦ εντός της περιοχής λειτουργίας
- ♦ εντός της εμβέλειας των περιστρεφόμενων μερών του μηχανήματος

Παρόλη την τήρηση των σχετικών κανονισμών ασφαλείας και τη χρήση μέσων προστασίας, ορισμένοι κίνδυνοι δεν είναι δυνατό να εξαλειφθούν. Αυτοί είναι οι εξής:

- ♦ Προβλήματα ακοής.
- ♦ Κίνδυνοι ατυχημάτων που προκαλούνται από ακάλυπτα μέρη του περιστρεφόμενου δίσκου κοπής.
- ♦ Κίνδυνος τραυματισμού κατά την αλλαγή του δίσκου.
- ♦ Κίνδυνος σύνθλιψης δακτύλων κατά το άνοιγμα προστατευτικών.

Ασφαλής χρήση ηλεκτρικού ρεύματος

Το εργαλείο σας διαθέτει διπλή μόνωση, επομένως δεν απαιτείται καλώδιο γείωσης. Ελέγχετε πάντα αν η τάση τροφοδοσίας αντιστοιχεί σε αυτήν που αναγράφεται στην πινακίδα χαρακτηριστικών. Ποτέ μην επιχειρείτε να αντικαταστήσετε τη μονάδα φορτιστή με έναν κανονικό ρευματολήπτη.

- ◆ Αν το καλώδιο ρεύματος έχει υποστεί φθορά, πρέπει να αντικατασταθεί από τον κατασκευαστή ή από ένα εξουσιοδοτημένο κέντρο επισκευών της Black & Decker, ώστε να μην αποτελέσει κίνδυνο.

Προειδοποιητικά σύμβολα

Το εργαλείο φέρει τα παρακάτω σύμβολα:



Προειδοποίηση! Για να μειωθεί ο κίνδυνος τραυματισμού, ο χρήστης πρέπει να διαβάσει το εγχειρίδιο οδηγιών.



Να φοράτε πάντα προστατευτικά γυαλιά.



Να φοράτε πάντα ωτοασπίδες ασφαλείας.

Χαρακτηριστικά

Το εργαλείο αυτό διαθέτει μερικά ή όλα από τα παρακάτω χαρακτηριστικά.

- Αλυσίδα ασφάλισης
- Βίδα εκτροπέα σπινθήρων
- Εκτροπέα σπινθήρων
- Βάση
- Οδηγό
- Μέγγενη
- Επίπεδο κλειδί
- Μανιβέλα
- Μοχλός μέγγενης
- Δίσκος κοπής
- Προστατευτικό
- Ασφάλιση άξονα
- Κοχλία αναστολής βάθους και ασφαλιστικό παξιμάδι
- Διακόπτη σκανδάλη
- Οπή λουκέτου
- Βίδες οδηγού

Συναρμολόγηση

Προειδοποίηση! Απενεργοποιήσε και αποσυνδέστε το εργαλείο από την πρίζα πριν πραγματοποιήσετε οποιαδήποτε ρύθμιση ή αφαίρεση ή τοποθέτηση αξεσουάρ ή εξαρτημάτων. Βεβαιωθείτε ότι ο διακόπτης σκανδάλη είναι στη θέση OFF. Μην πραγματοποιήσετε οποιαδήποτε ρύθμιση όταν ο τροχός βρίσκεται σε κίνηση.

Τοποθέτηση και αφαίρεση ενός δίσκου κοπής (εικ. 7 - ΕΙΚ 8)

- ◆ Πιέστε μέσα την ασφάλιση άξονα (L).
- ◆ Περιστρέψτε το δίσκο κοπής (J) μέχρι να ασφαλίσει.
- ◆ Χρησιμοποιώντας το επίπεδο κλειδί (G), αφαιρέστε το μπουλόνι (S) περιστρέφοντας αριστερόστροφα και αφαιρώντας τη ροδέλα (T) και τη στεφάνη συγκράτησης (U).
- ◆ Ελέγξτε ότι ο αποστάτης (R) βρίσκεται στη θέση του κόντρα στη στεφάνη.
- ◆ Αντικατάσταση του δίσκου κοπής (J). Βεβαιωθείτε ότι ο νέος δίσκος έχει τοποθετηθεί πάνω στον αποστάτη (R) στη σωστή κατεύθυνση περιστροφής.
- ◆ Ασφαλίστε τη λάμα με τη στεφάνη συγκράτησης (U), τη ροδέλα (T) και το μπουλόνι (S).
- ◆ Πιέστε μέσα την ασφάλιση άξονα (L).
- ◆ Περιστρέψτε το δίσκο κοπής (J) μέχρι να ασφαλίσει.
- ◆ Χρησιμοποιώντας το επίπεδο κλειδί (G), σφίξτε το μπουλόνι (S) περιστρέφοντας δεξιόστροφα.
- ◆ Μετακινήστε το προστατευτικό και πάλι προς τα κάτω και απελευθερώστε την ασφάλιση άξονα (L).
- ◆ Ρυθμίστε το βάθος κοπής όπως απαιτείται.

Ρύθμιση του βάθους κοπής (εικ. 1)

Το βάθος κοπής μπορεί να ρυθμιστεί για να αντισταθμίσει τη φθορά του δίσκου κοπής,

- ◆ Πραγματοποιήστε μια δοκιμαστική κοπή με το εργαλείο απενεργοποιημένο και ελέγξτε το διάκενο.
- ◆ Εάν χρειάζεται ρύθμιση, προχωρήστε ως εξής:
- ◆ Χαλαρώστε το ασφαλιστικό παξιμάδι (M) κατά μερικές στροφές.
- ◆ Περιστρέψτε τον κοχλία αναστολής βάθους (M) προς τα μέσα ή προς τα έξω για να επιτύχετε το απαιτούμενο βάθος κοπής.
- ◆ Σφίξτε το ασφαλιστικό παξιμάδι (M).

Προειδοποίηση: Πάντοτε ρυθμίζετε την αναστολή βάθους στην αρχική της θέση κατά την αντικατάσταση του δίσκου κοπής.

Σύσφιξη του τεμαχίου εργασίας στη θέση του (εικ. 2 - ΕΙΚ. 4)

Το εργαλείο διαθέτει μια μέγγενη (F)

- ◆ Τραβήξτε το μοχλό (I) προς τη λαβή (H).
- ◆ Σπρώξτε τη μέγγενη (F) εμπρός μέχρι η σιαγόνα σχεδόν να ακουμπά το προς επεξεργασία αντικείμενο.
- ◆ Πιέστε το μοχλό (I) προς τη σιαγόνα μέχρι να εμπλακεί με τον άξονα της μέγγενης.
- ◆ Περιστρέψτε τη λαβή (H) δεξιόστροφα και συγκρατήστε με ασφάλεια το αντικείμενο προς επεξεργασία.
- ◆ Για να απελευθερώσετε το αντικείμενο προς επεξεργασία, περιστρέψτε τη λαβή (H) αριστερόστροφα.

- ◆ Για να αυξηθεί η ικανότητα κοπής, τοποθετήστε ένα τεμάχιο αποστάτη κάτω από το αντικείμενο προς επεξεργασία. Το τεμάχιο αποστάτη πρέπει να είναι ελαφρά στενότερο από το αντικείμενο προς επεξεργασία.

Προειδοποίηση: Σηριζέτε τα μεγάλου μήκους αντικείμενα προς επεξεργασία χρησιμοποιώντας ένα κομμάτι ξύλο. Μη σφίζετε το άκρο που θα αποκοπεί.

Χαρακτηριστικό ταχείας διαδρομής (εικ. 4)

Η σύσφιξη διαθέτει ένα χαρακτηριστικό ταχείας διαδρομής.

- ◆ Για να απελευθερώσετε τη σύσφιξη, περιστρέψτε τη λαβή (H) κατά μια ή δύο περιστροφές αριστερόστροφα και τραβήξτε το μοχλό (I) προς τη λαβή (H).

Ρύθμιση της θέσης σύσφιξης (εικ. 5)

Η θέση σύσφιξης μπορεί να ρυθμιστεί για να ταιριάζει με το δίσκο κοπής.

- ◆ Αφαιρέστε τις βίδες οδηγού (P) χρησιμοποιώντας το επίπεδο κλειδί (G).
- ◆ Μετακινήστε τον οδηγό (E) όπως απαιτείται.
- ◆ Επαναποθετήστε τις βίδες οδηγούς (P) και σφίξτε τις για να ασφαλίσει ο οδηγός (E).

Ρύθμιση της γωνίας κοπής (εικ. 6)

Το εργαλείο μπορεί να χρησιμοποιηθεί για κοπή υπό γωνία μέχρι 45°.

- ◆ Χαλαρώστε τις βίδες οδηγού (P) για να απελευθερώσετε τον οδηγό (E).
- ◆ Θέστε τον οδηγό (E) στην απαιτούμενη γωνία. Η γωνία μπορεί να διαβαστεί στην κλίμακα (Q).
- ◆ Σφίξτε τις βίδες οδηγού (P) για να ασφαλίσετε τον οδηγό (E).

Έλεγχος και ρύθμιση της κλίμακας γωνίας κοπής (εικ. 6)

- ◆ Χαλαρώστε τις βίδες οδηγού (P) για να απελευθερώσετε τον οδηγό (E).
- ◆ Τραβήξτε κάτω το βραχίονα και ασφαλίστε τον σε αυτή τη θέση συνδέοντας την αλυσίδα ασφάλισης (A).
- ◆ Τοποθετήστε μια ορθή γωνία κόντρα στον οδηγό (E) και την αριστερή πλευρά του δίσκου κοπής σχηματίζοντας μια τέλεια γωνία 90°. Ελέγξτε ότι η σήμανση 0° στην κλίμακα (Q) ευθυγραμμίζεται με τη σήμανση στη βάση (D).
- ◆ Σφίξτε τις βίδες οδηγού (P) για να ασφαλίσετε τον οδηγό (E).
- ◆ Αφαιρέστε την αλυσίδα ασφάλισης (A) και επαναφέρετε το βραχίονα στην επάνω θέση απόθεσής του.

Ρύθμιση του εκτροπέα σπινθήρων (εικ. 1)

- ◆ Χαλαρώστε τη βίδα (B).
- ◆ Ρυθμίστε τον εκτροπέα σπινθήρων (C) κατάλληλα.
- ◆ Σφίξτε τη βίδα (B).

Χρήση

Προειδοποίηση: Πάντοτε τηρείτε τις οδηγίες ασφαλείας και τους ισχύοντες κανονισμούς.

Προειδοποίηση: Μην εφαρμόζετε υπερβολική πίεση στο εργαλείο.

Προειδοποίηση: Αποφύγετε την υπερφόρτωση. Εάν το εργαλείο θερμανθεί, αφήστε το να λειτουργήσει λίγα λεπτά χωρίς φορτίο.

Ικανότητα κοπής

Το μεγάλο άνοιγμα της μέγνης και το υψηλό σημείο άρθρωσης παρέχουν ικανότητα κοπής για αρκετά μεγάλα τεμάχια. Χρησιμοποιήστε το πίνακα ικανότητας κοπής για να καθορίσετε το μέγιστο μέγεθος των κοπών που μπορούν να πραγματοποιηθούν με έναν καινούριο τροχό.

Προσοχή: Ορισμένα μεγάλα, στρογγυλά ή με ακανόνιστο σχήμα αντικείμενα μπορεί να χρειαστούν πρόσθετα μέσα συγκράτησης εάν δεν μπορούν να συγκρατηθούν με ασφάλεια στην μέγνη.

Προσοχή: Μην κόβετε μαγνήσιο με αυτό το εργαλείο.

Μέγιστη ικανότητα κοπής

Σημείωση: Η ικανότητα που εμφανίζεται στον πίνακα δε λαμβάνει υπόψη τη φθορά του τροχού και την άριστη θέση του οδηγού.

Σχήμα τεμαχίου εργασίας				
90° γωνία κοπής	A = 4-7/8" (125mm)	A = 4-1/2" (115mm)	4-1/2" x 5-1/8"(115mm x 130mm)4" x 7-5/8"(115mm x 130mm)3" x 7-3/8"(115mm x 130mm)	A = 4-1/2" x 5-3/8" (115mm x 137mm)
45° Γωνία κοπής	A = 4-1/2" (115mm)	A = 3-13/16" (98mm)	4-1/2" x 3-13/16"4-1/8" x 3-3/4"(105mm x 95mm)	A = 3-13/16" 3-3/4" (95mm)

Πριν την εργασία:

- ◆ Τοποθετήστε τον κατάλληλο δίσκο κοπής. Μη χρησιμοποιείτε υπερβολικά φθαρμένους δίσκους. Η μέγιστη ταχύτητα περιστροφής του εργαλείου δεν πρέπει να υπερβαίνει εκείνη του δίσκου κοπής.
- ◆ Βεβαιωθείτε ότι ο δίσκος περιστρέφεται στην κατεύθυνση των βελών στο εξάρτημα και στο εργαλείο.
- ◆ Στερεώστε το προς επεξεργασία αντικείμενο.
- ◆ Πάντοτε ρυθμίζετε σωστά τον εκτροπέα σπινθήρων.

Ενεργοποίηση και απενεργοποίηση (εικ. 1)

Ο διακόπτης σκανδάλη on/off (N) είναι τοποθετημένος στη λαβή λειτουργίας.

- ◆ Για λειτουργία του εργαλείου πιέστε το διακόπτη σκανδάλη (N).
- ◆ Διατηρήστε το διακόπτη σκανδάλη on/off πιεσμένο κατά την εκτέλεση της εργασίας.
- ◆ Για να σταματήσετε το εργαλείο, απελευθερώστε το διακόπτη σκανδάλη (N).

Προειδοποίηση: Μην ενεργοποιείτε το εργαλείο όταν βρίσκεται υπό φορτίο.

Προειδοποίηση: Για να εμποδίσετε τη μη εξουσιοδοτημένη χρήση του εργαλείου, τοποθετήστε ένα στάνταρ λουκέτο (δεν παρέχεται) στην οπή για λουκέτο (O) που υπάρχει στο διακόπτη σκανδάλη.



Προειδοποίηση! Μην κόβετε μαγνήσιο.

Συμβουλευτείτε τον αντιπρόσωπό σας για περισσότερες πληροφορίες σχετικά με τα κατάλληλα αξεσουάρ.

Εκτέλεση μιας κοπής (εικ. 1)

- ◆ Τοποθετήστε το υλικό που θα κοπεί πάνω στον οδηγό (E) και ασφαλίστε χρησιμοποιώντας τη μέγγενη (F).
- ◆ Ενεργοποιήστε το εργαλείο και τραβήξτε κάτω τη λαβή για να κόψετε το προς επεξεργασία αντικείμενο. Επιτρέψτε στο μοτέρ να επιτύχει τον πλήρη αριθμό στροφών πριν κόψετε.
- ◆ Επιτρέψτε στο δίσκο να κόψει ελεύθερα. Μην ασκείτε δύναμη.
- ◆ Αφού ολοκληρώσετε την κοπή, απενεργοποιήστε το εργαλείο και επιστρέψτε το βραχίονα στην επάνω θέση απόθεσής του.

Μεταφορά (εικ. 1)

Το εργαλείο διαθέτει μια αλυσίδα ασφάλισης (A) η οποία το ασφαλίσει στην κάτω-κλειστή θέση για να μεταφέρεται.

Προειδοποίηση: Εξασφαλίστε ότι το εργαλείο είναι απενεργοποιημένο και αποσυνδεδεμένο από την πρίζα πριν το μεταφέρετε.

- ◆ Χαμηλώστε τον προφυλακτήρα (K) πάνω στη βάση τράπεζας κοπής (D) και ασφαλίστε το εργαλείο σε αυτή τη θέση ασφαρίζοντας την αλυσίδα πάνω στο άγκιστρο στη λαβή.
- ◆ Μεταφέρετε το εργαλείο χρησιμοποιώντας τις λαβές μεταφοράς.
- ◆ Για να απελευθερώσετε το εργαλείο, πιέστε ελαφρά τη λαβή λειτουργίας και αφαιρέστε την αλυσίδα ασφάλισης (A).

Συντήρηση

Αυτή η συσκευή/εργαλείο με καλώδιο/χωρίς καλώδιο της Black & Decker έχει σχεδιαστεί έτσι ώστε να λειτουργεί για μεγάλο χρονικό διάστημα με την ελάχιστη δυνατή συντήρηση. Η αδιάλειπτη και ικανοποιητική λειτουργία της συσκευής/εργαλείου εξαρτάται από τη φροντίδα και τον τακτικό καθαρισμό της.

Προειδοποίηση! Πριν πραγματοποιήσετε οποιαδήποτε συντήρηση σε εργαλείο/συσκευή με καλώδιο/χωρίς καλώδιο.

- ◆ Απενεργοποιήστε και αφαιρέστε την μπαταρία από τη συσκευή.
- ◆ Διατηρείτε τις εγκοπές εξαερισμού ελεύθερες και καθαρίζετε τακτικά το περίβλημα με ένα μαλακό πανί.
- ◆ Μη χρησιμοποιείτε λειαντικά καθαριστικά.

Επιθεώρηση και αντικατάσταση ψηκρών μοτέρ (εικ. 9)

Προειδοποίηση! Απενεργοποιήστε και αποσυνδέστε το εργαλείο από την πρίζα. Βεβαιωθείτε ότι ο διακόπτης σκανδάλη είναι στη θέση OFF.

Οι ψήκτρες πρέπει να επιθεωρούνται τακτικά για φθορά. Για να επιθεωρήσετε τις ψήκτρες, αφαιρέστε το καπάκι των ψηκρών (W). Οι ψήκτρες (V) πρέπει να ολισθαίνουν ελεύθερα στο κιβώτιο ψηκρών. Εάν οι ψήκτρες έχουν φθαρεί μέχρι τις 3" (8mm) όπως φαίνεται στην εικόνα 9 πρέπει να αντικατασταθούν.

Για να επανατοποθετήσετε, πιέστε την καινούρια ψήκτρα μέσα στο κιβώτιο ψηκρών. Εάν αντικαθιστάται μια υπάρχουσα ψήκτρα, διατηρήστε τον ίδιο προσανατολισμό όπως όταν αφαιρέθηκε. Επανατοποθετήστε το καπάκι των ψηκρών (μη σφίξτε πολύ).

Καθαρισμός

Το φύσημα της σκόνης και της βρομιάς από το κύριο περίβλημα με έναν εύκαμπο σωλήνα αέρα συνιστάται και μπορεί να πραγματοποιείται όσο συχνά διαπιστώνεται ότι συγκεντρώνεται βρομιά μέσω και γύρω από τις εγκοπές αερισμού. Φοράτε πάντοτε κατάλληλα προστατευτικά ματιών και αναπνοής.

Επισκευές

Για να εξασφαλίσετε την ΑΣΦΑΛΕΙΑ και την ΑΞΙΟΠΙΣΤΙΑ του προϊόντος, οι επισκευές, η συντήρηση και οι ρυθμίσεις θα πρέπει να πραγματοποιούνται από εξουσιοδοτημένα κέντρα σέρβις ή άλλους εγκεκριμένους οργανισμούς σέρβις, πάντοτε με χρήση πανομοιότυπων ανταλλακτικών.

Λίπανση

Κλειστού τύπου ρουλεμάν με στεγανοποίηση γράσου χρησιμοποιούνται παντού. Τα ρουλεμάν αυτά διαθέτουν αρκετό γράσο τοποθετημένο από το εργοστάσιο για να διαρκέσει για ολόκληρη τη διάρκεια ζωής του δισκοπρίονου.

Αξεσουάρ

Προσοχή! Η χρήση οποιουδήποτε άλλου αξεσουάρ που δεν ενδείκνυται για αυτό το εργαλείο μπορεί να ενέχει κινδύνους. Χρησιμοποιήστε μόνο υψηλής αντοχής τροχούς Τύπου 1 με οργανική συγκόλληση και ονομαστικές στροφές 4300 σαλ ή περισσότερες.

Αξεσουάρ που συνιστώνται για χρήση με το εργαλείο σας είναι διαθέσιμα με επιπλέον κόστος από τον τοπικό σας αντιπρόσωπο ή εξουσιοδοτημένο κέντρο επισκευών.

Προστασία του περιβάλλοντος



Ξεχωριστή περισυλλογή. Αυτό το προϊόν δεν πρέπει να απορρίπτεται μαζί με τα κοινά οικιακά απορρίμματα.

Εάν κάποια μέρα διαπιστώσετε ότι το προϊόν σας Black & Decker χρειάζεται αντικατάσταση ή ότι δεν το χρειάζεστε άλλο, μην το απορρίψετε μαζί με τα κοινά οικιακά απορρίμματα αλλά διαθέστε αυτό το προϊόν για ξεχωριστή περισυλλογή.



Η ξεχωριστή περισυλλογή των μεταχειρισμένων προϊόντων και των υλικών συσκευασίας επιτρέπει την ανακύκλωση και επαναχρησιμοποίηση των υλικών. Με την επαναχρησιμοποίηση των ανακυκλωμένων υλικών αποτρέπεται η μόλυνση του περιβάλλοντος και μειώνεται η ζήτηση πρώτων υλών.

Οι κανονισμοί που ισχύουν στην περιοχή σας ενδέχεται να προβλέπουν την ξεχωριστή περισυλλογή των ηλεκτρικών συσκευών που προέρχονται από νοικοκυριά σε δημοτικές εγκαταστάσεις απορριμμάτων ή από τον έμπορο όταν αγοράζετε ένα καινούργιο προϊόν.

Η Black & Decker δίνει τη δυνατότητα ανακύκλωσης των προϊόντων της που έχουν συμπληρώσει τη διάρκεια ζωής τους. Για να χρησιμοποιήσετε αυτήν την υπηρεσία, επιστρέψτε το προϊόν σας σε οποιοδήποτε εξουσιοδοτημένο κέντρο επισκευών, όπου θα το παραλάβουν εκ μέρους μας.

Ενημερωθείτε για το πλησιέστερο εξουσιοδοτημένο κέντρο επισκευών της περιοχής σας, επικοινωνώντας με τα γραφεία της Black & Decker στη διεύθυνση που αναγράφεται στο εγχειρίδιο. Επίσης, μια λίστα με τα εξουσιοδοτημένα κέντρα επισκευών της Black & Decker και πλήρεις λεπτομέρειες για τις υπηρεσίες που παρέχονται μετά την πώληση καθώς και στοιχεία επικοινωνίας υπάρχουν στο Διαδίκτυο, στη διεύθυνση: www.2helpU.com

Τεχνικά χαρακτηριστικά

		CS355 (Τύπος 1)
Τάση	V _{ac}	230
Ισχύς εισόδου	W	2,300
Ταχύτητα χωρίς φορτίο	mm ⁻¹	3,800
Ελάχ. Περιφερειακή ταχύτητα δίσκου κοπής	m/s	80
Διάμετρος λεπίδας	mm	355
Οπή τροχού	mm	25.4
Πλάτος ακμής δίσκου	mm	3
Τύπος δίσκου κοπής	Ευθεία, χωρίς εσοχές	
Ικανότητα εγκάρσιας κοπής στις 90°		
Κυκλικό	mm	125
Τετράγωνο	mm	115
Ορθογώνιο	mm	115 x 130
Γωνιώδες	mm	137 x 137
Ικανότητα εγκάρσιας κοπής στις 45°		
Κυκλικό	mm	115
Τετράγωνο	mm	98 x 98
Ορθογώνιο	mm	105 x 95
Γωνιώδες	mm	95 x 95
Βάρος	kg	18

		CS355 (Τύπος 1)
LpA (ηχητική πίεση)	dB(A)	93.1
Αβεβαιότητα (K)	dB(A)	3
LWA (Ηχητική Ισχύς)	dB(A)	105.3
Αβεβαιότητα (K)	dB(A)	3
Δόνηση ah	m/s ²	6.46
Αβεβαιότητα (K)	m/s ²	1.5

Δήλωση συμμόρφωσης EK

ΟΔΗΓΙΑ ΠΕΡΙ ΜΗΧΑΝΗΜΑΤΩΝ



CS355

H Black & Decker δηλώνει ότι τα προϊόντα αυτά που περιγράφονται στα "τεχνικά χαρακτηριστικά" συμμορφώνονται με:

2006/42/EK, EN61029-1, EN61029-2-10

Για περισσότερες πληροφορίες, παρακαλείστε να επικοινωνήσετε με την Black & Decker στην παρακάτω διεύθυνση ή να ανατρέξετε στο πίσω μέρος του εγχειριδίου.

Ο κάτωθι υπογεγραμμένος είναι υπεύθυνος για την κατάρτιση του τεχνικού φακέλου και δηλώνει τα παρόντα εκ μέρους της Black & Decker.

Kevin Hewitt

Αντιπρόεδρος παγκόσμιας μηχανικής
Black & Decker Europe, 210 Bath Road, Slough,
Berkshire, SL1 3YD
Ηνωμένο Βασίλειο
27/05/2010

Εγγύηση

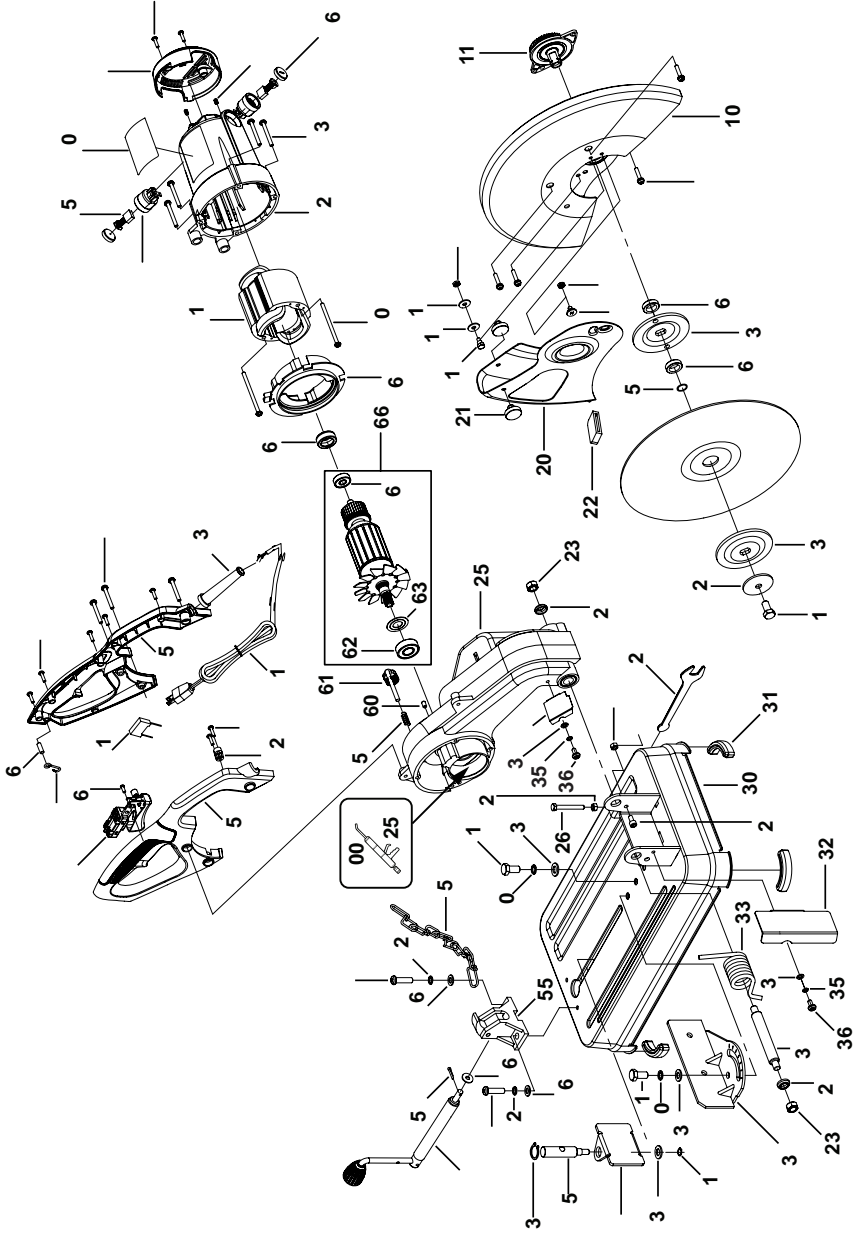
Η Black & Decker είναι σίγουρη για την ποιότητα των προϊόντων της και παρέχει μια εξαιρετική εγγύηση. Η παρούσα γραπτή εγγύηση αποτελεί πρόσθετο δικαίωμά σας και δεν ζημιώνει τα νόμιμα δικαιώματά σας. Η εγγύηση ισχύει εντός της επικράτειας των Κρατών Μελών της Ευρωπαϊκής Ένωσης και της Ευρωπαϊκής Ζώνης Ελευθέρων Συναλλαγών.

Σε περίπτωση που κάποιο προϊόν της Black & Decker παρουσιάσει βλάβη εξαιτίας ελαττωματικών υλικών, ποιότητας εργασίας ή έλλειψης συμφωνίας με τις προδιαγραφές εντός 24 μηνών από την ημερομηνία αγοράς, η Black & Decker εγγυάται την αντικατάσταση των ελαττωματικών τμημάτων, την επισκευή προϊόντων που έχουν υποστεί εύλογη φθορά λόγω χρήσης ή την αντικατάσταση των προϊόντων προκειμένου να εξασφαλιστεί την ελάχιστη ενόχληση στους πελάτες της, εκτός εάν:

- ◆ Το προϊόν έχει χρησιμοποιηθεί σε εργασιακό, επαγγελματικό περιβάλλον ή έχει ενοικιαστεί.
- ◆ Έχει γίνει εσφαλμένη χρήση του προϊόντος ή έχει παραμεληθεί.
- ◆ Το προϊόν έχει υποστεί βλάβη από άλλα αντικείμενα, από ουσίες ή λόγω ατυχήματος.
- ◆ Έχει γίνει προσπάθεια επισκευής από μη εξουσιοδοτημένα κέντρα επισκευών ή από προσωπικό που δεν ανήκει στο προσωπικό της Black & Decker.

Για να ισχύσει η εγγύηση, πρέπει να υποβάλετε απόδειξη αγοράς στον πωλητή ή το εξουσιοδοτημένο κέντρο επισκευών. Ενημερωθείτε για το πλησιέστερο εξουσιοδοτημένο κέντρο επισκευών της περιοχής σας, επικοινωνώντας με τα γραφεία της Black & Decker στη διεύθυνση που αναγράφεται στο εγχειρίδιο. Επίσης, μια λίστα με τα εξουσιοδοτημένα κέντρα επισκευών της Black & Decker και πλήρεις λεπτομέρειες για τις υπηρεσίες που παρέχονται μετά την πώληση καθώς και στοιχεία επικοινωνίας υπάρχουν στο Διαδίκτυο, στη διεύθυνση: www.2helpU.com

Παρακαλούμε επισκεφθείτε την ιστοσελίδα μας www.blackanddecker.gr για να καταχωρήσετε το νέο σας προϊόν Black & Decker και για να ενημερώνεστε για τα νέα προϊόντα και τις ειδικές προσφορές. Περισσότερες πληροφορίες σχετικά με τη μάρκα Black & Decker και τη σειρά των προϊόντων μας θα βρείτε στη διεύθυνση www.blackanddecker.gr



ENGLISH

Do not forget to register your product!

www.blackanddecker.co.uk/productregistration
Register your product online at www.blackanddecker.co.uk/productregistration or send your name, surname and product code to Black & Decker in your country

DEUTSCH

Vergessen Sie nicht, Ihr Produkt registrieren zu lassen!

www.blackanddecker.de/productregistration
Lassen Sie Ihr Produkt unter www.blackanddecker.de/productregistration online registrieren oder schicken Sie Ihren Nachnamen, Vornamen und den Produktcode an Black & Decker in Ihrem Land.

FRANÇAIS

N'oubliez pas d'enregistrer votre produit !

www.blackanddecker.fr/productregistration
Enregistrez votre produit en ligne sur www.blackanddecker.fr/productregistration ou envoyez vos nom, prénom et code produit à Black & Decker dans votre pays.

ITALIANO

Non dimenticate di registrare il prodotto!

www.blackanddecker.it/productregistration
Registrate il prodotto online su www.blackanddecker.it/productregistration o inviate nome, cognome e codice del prodotto al centro Black & Decker del vostro paese.

NEDERLANDS

Vergeet niet uw product te registreren!

www.blackanddecker.nl/productregistration
U kunt uw product online registreren op www.blackanddecker.nl/productregistration of u kunt uw voornaam, achternaam en productcode opsturen naar Black & Decker in uw land.

ESPAÑOL

¡No olvide registrar su producto!

www.blackanddecker.es/productregistration
Registre su producto on-line en www.blackanddecker.es/productregistration o envíe su nombre, apellidos y código de producto a Black & Decker en su país.

PORTUGUÊS

Não se esqueça de registar o seu produto!

www.blackanddecker.pt/productregistration
Registe o seu produto online em www.blackanddecker.pt/productregistration ou envie o seu nome, apelido e código do produto para a Black & Decker no seu país.

SVENSKA

Glöm inte att registrera produkten!

www.blackanddecker.se/productregistration
Registrera produkten online på www.blackanddecker.se/productregistration eller skicka namn och produktkod till Black & Decker i landet du bor i.

NORSK

Ikke glem å registrere produktet ditt!

www.blackanddecker.no/productregistration
Registrer produktet ditt online på www.blackanddecker.no/productregistration, eller send ditt navn, etternavn og produktkode til Black & Decker i ditt eget land.

DANSK

Glem ikke at registrere dit produkt!

www.blackanddecker.dk/productregistration
Registrer dit produkt på internettet på: www.blackanddecker.dk/productregistration eller send dit navn, efternavn og produktkode til Black & Decker i dit eget land.

SUOMI

Muistathan rekisteröidä tuotteesi!

www.blackanddecker.fi/productregistration
Rekisteröi tuotteesi verkossa osoitteessa www.blackanddecker.fi/productregistration tai läheta etunimesi, sukunimesi ja tuotekoodi oman maasi Black & Decker -edustajalle.

ΕΛΛΗΝΙΚΑ

Μην ξεχάσετε να καταχωρίσετε το προϊόν σας!

www.blackanddecker.gr/productregistration
Καταχωρίστε το προϊόν σας σε σύνδεση στη σελίδα www.blackanddecker.gr/productregistration ή στείλτε το όνομα, επίθετο σας και τον κωδικό πριονιώς στη Black & Decker στη χώρα σας.

België/Belgique	Black & Decker (Belgium) N.V. Nieuwlandlaan 321 3200 Aarschot	Tel. Fax	016 68 91 00 016 68 91 11
Danmark	Black & Decker Sluseholmen 2-4, 2450 København SV Internet: www.blackanddecker.dk	Tel. Fax	70 20 15 10 70 22 49 10
Deutschland	Black & Decker GmbH Black & Decker Str. 40, D - 65510 Idstein	Tel. Fax	06126/21 - 0 06126/21 29 80
Ελλάδα	Black & Decker (Ελλάς) A.E. Στράβωνος 7 & Λεωφ. Βουλιαγμένης 159 166 74 Γλυφάδα - Αθήνα	Τηλ. Φαξ www.blackanddecker.eu	210 8981616 210 8983285
España	Black & Decker Ibérica, S.C.A. Parc de Negocis "Mas Blau" Edificio Muntadas, c/Bergadá, 1, Of. A6 08820 El Prat de Llobregat (Barcelona)	Tel. Fax	934 797 400 934 797 419
France	Black & Decker (France) S.A.S. B.P. 21, 69571 Dardilly Cédex	Tel. Fax	04 72 20 39 20 04 72 20 39 00
Helvetia	ROFO AG Gewerbezone Seeblick 3213 Kleinbödingen	Tel. Fax	026-6749391 026-6749394
Italia	Black & Decker Italia SpA Viale Elvezia 2 20052 Monza (MI)	Tel. Fax Numero verde	039-23871 039-2387592/2387594 800-213935
Nederland	Black & Decker Benelux Joulehof 12, 4622 RG Bergen op Zoom	Tel. Fax	0164 - 283000 0164 - 283100
Norge	Black & Decker (Norge) A/S Postboks 4814, Nydalen, 0422 Oslo Internet: www.blackanddecker.no	Tlf. Fax	22 90 99 00 22 90 99 01
Österreich	Black & Decker Vertriebsges.m.b.H Oberlaaerstraße 246, A1100 Wien	Tel. Fax	01 66116-0 01 66116-14
Portugal	Black & Decker Rua Egas Moniz 173 S. João do Estoril 2766-651 Estoril	Tel. Fax	214667500 214667580
Suomi	Black & Decker Oy Keilasatama 3, 02150 Espoo Black & Decker Oy, Kägelhamnen 3, 02150 Esbo	Puh. Faksi Tel. Fax	010 400 430 (09) 2510 7100 010 400 430 (09) 2510 7100
Sverige	Black & Decker AB Fabriksg. 7, 412 50 Göteborg	Tel. Fax	031-68 60 60 031-68 60 80
United Kingdom	Black & Decker 210 Bath Road Slough, Berkshire SL1 3YD	Tel. Fax Helpline	01753 511234 01753 551155 01753 574277
Middle East & Africa	Black & Decker (Overseas) A.G. PB 5420, Dubai, United Arab Emirates	Tel. Fax	+971 4 2826464 +971 4 2826466