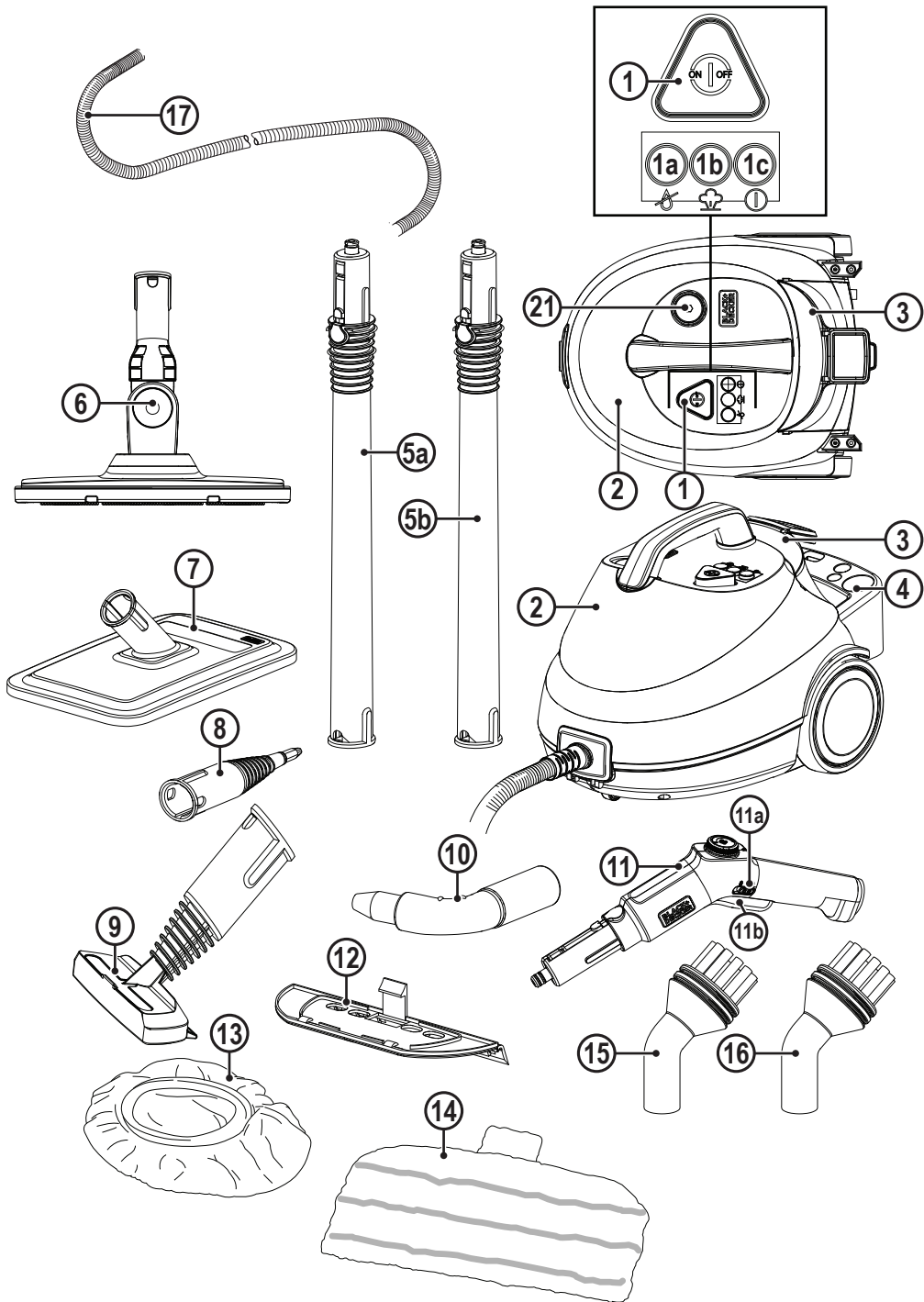


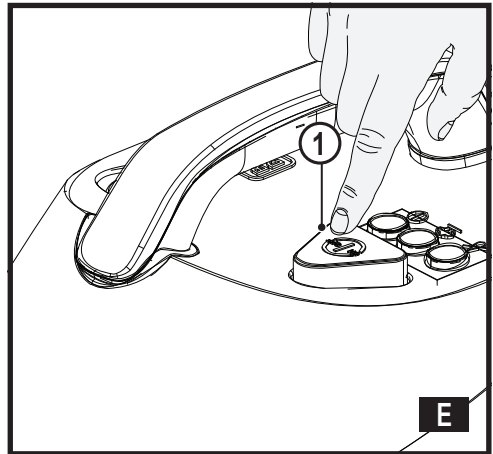
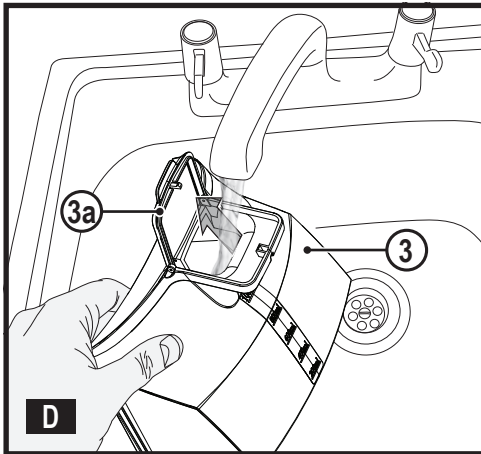
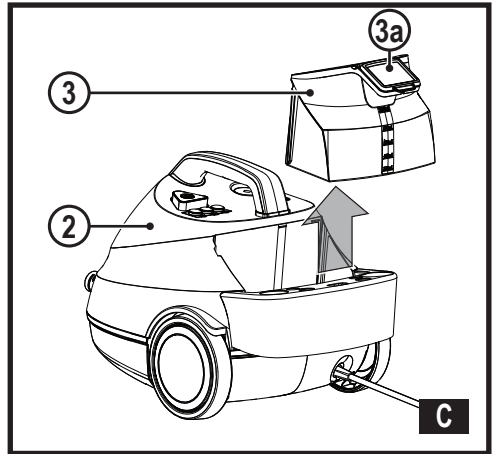
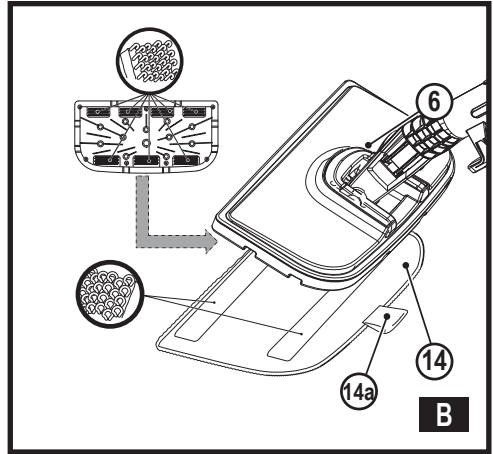
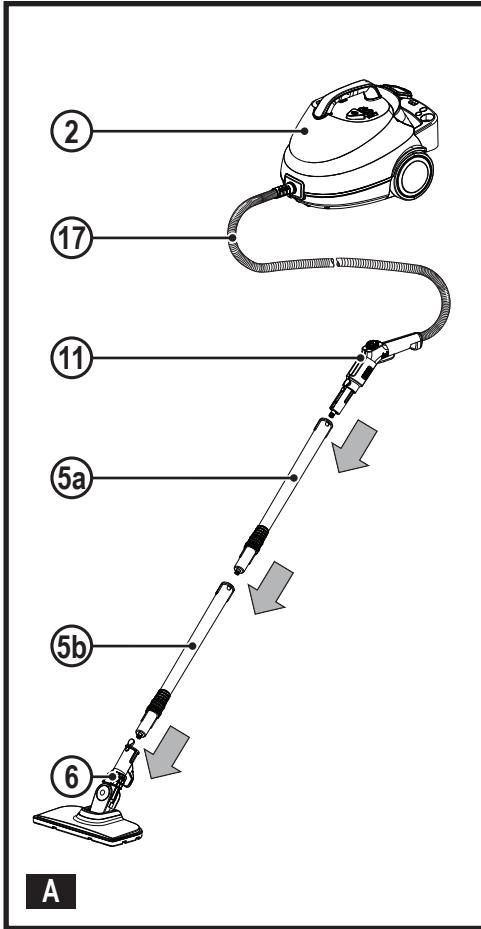
[www.blackanddecker.co.uk](http://www.blackanddecker.co.uk)

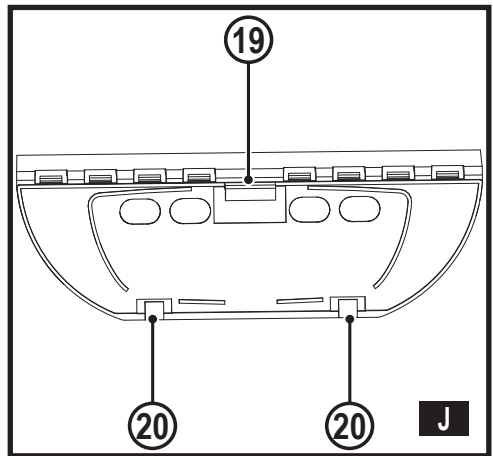
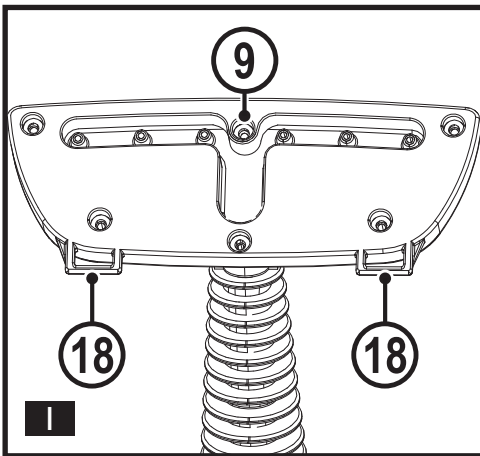
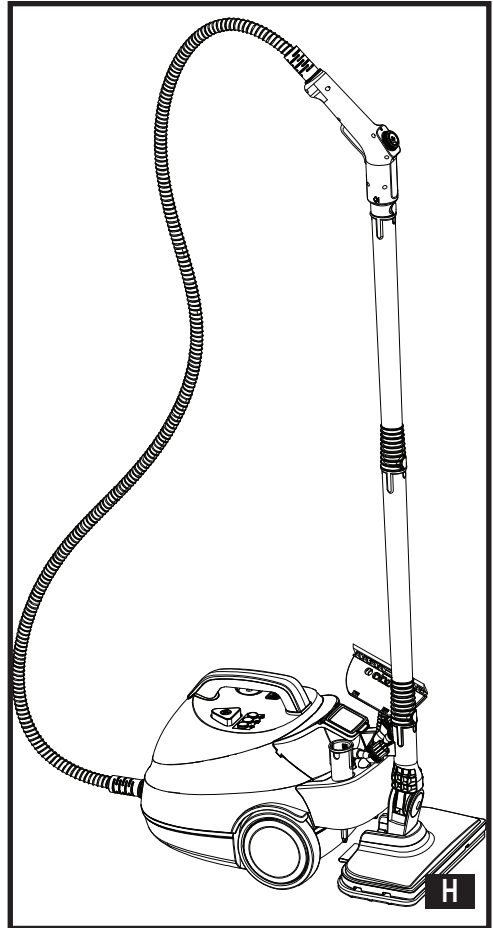
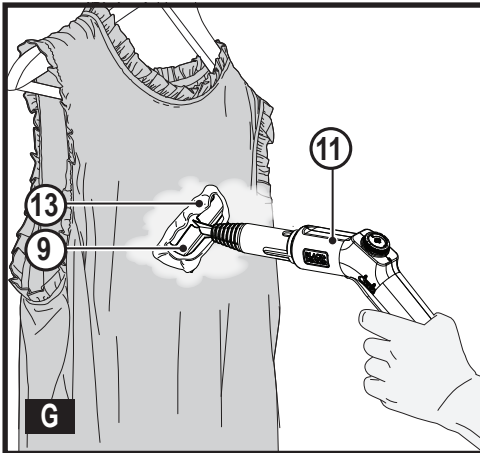
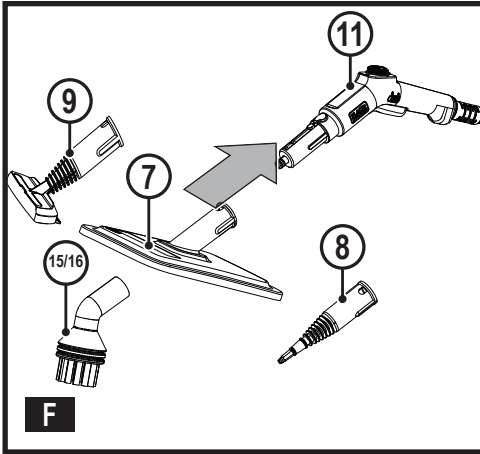


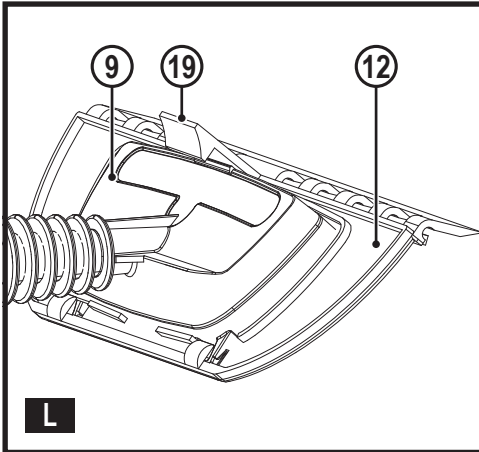
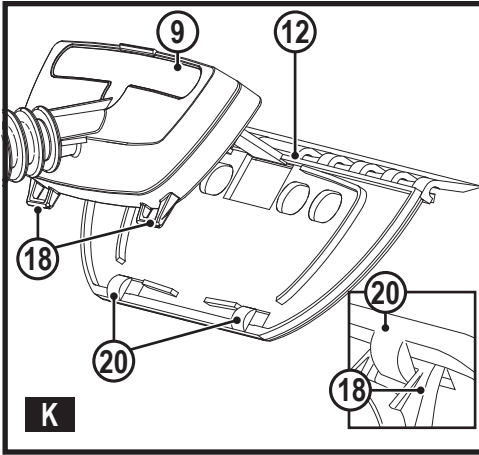
**BHSMP2008**  
**BHSMP2314**

<b>English</b> (Original Instructions)	<b>6</b>
<b>Deutsch</b> (übersetzt von den originalanweisungen)	<b>14</b>
<b>Français</b> (traduction de la notice d'instructions originale)	<b>23</b>
<b>Italiano</b> (tradotto dalle istruzioni originali)	<b>31</b>
<b>Nederlands</b> (vertaald vanuit de originele instructies)	<b>40</b>
<b>Español</b> (traducido de las instrucciones originales)	<b>49</b>
<b>Português</b> (traduzido das instruções originais)	<b>58</b>
<b>Svenska</b> (översatt från de ursprungliga instruktionerna)	<b>66</b>
<b>Norsk</b> (oversatt fra de originale instruksjonene)	<b>74</b>
<b>Dansk</b> (oversat fra original brugsvejledning)	<b>81</b>
<b>Suomi</b> (käännetty alkuperäisestä käyttöohjeesta)	<b>89</b>
<b>Ελληνικά</b> (μετάφραση από τις πρωτότυπες οδηγίες)	<b>96</b>
<b>Türkçe</b> (Orijinal talimatların Çeviri)	<b>106</b>









### Intended use

Your BLACK+DECKER BHSMP2008, BHSMP2314 steam mops have been designed for cleaning sealed hardwood, sealed laminate, linoleum, vinyl, ceramic tile, stone and marble floors. These appliances are intended for indoor household use only.

## Safety Instructions



**Warning! Read all safety warnings and all instructions.**

Failure to follow the warnings and instructions listed below may result in electric shock, fire and/or serious injury.



**Warning!** When using mains-powered appliances, basic safety precautions, including the following, should always be followed to reduce the risk of fire, electric shock, personal injury and material damage.

- ◆ The intended use is described in this manual.
- ◆ The use of any accessory or attachment or the performance of any operation with this appliance other than those recommended in this instruction manual may present a risk of personal injury.
- ◆ Retain this manual for future reference.
- ◆ The appliance can be used by persons with reduced physical, sensory or mental capabilities or lack of experience and knowledge, if they have been given supervision or instruction concerning use of the appliance in a safe way and understand the hazards involved. Children shall not play with the appliance.
- ◆ Children should be supervised to ensure that they do not play with the appliance.
- ◆ The plug must be removed from the socket-outlet before cleaning or maintaining the appliance.
- ◆ The liquid or steam must not be directed towards equipment containing electrical components, such as the interior of ovens.

- ◆ Care should be taken when using the appliance due to the emission of steam.
- ◆ Keep the appliance and its cord out of reach of children less than 8 years of age when it is energized or cooling down.
- ◆ If the supply cord is damaged, it must be replaced by the manufacturer, its service agent or similarly qualified persons in order to avoid a hazard.
- ◆ The appliance shall not be left unattended while it is connected to the supply mains.
- ◆ The appliance is not to be used if it has been dropped, if there are visible signs of damage or if it is leaking.
- ◆ Keep the appliance out of reach of children when it is energized or cooling down.
- ◆ The filling aperture shall not be opened during use.
- ◆ Do not handle steam cleaner with wet hands.
- ◆ Do not pull or carry by cord, use cord as a handle, close door on cord, pull cord around sharp corners or expose cord to heated surfaces.
- ◆ Do not use appliance in an enclosed space filled with vapour given off by oil-base paint thinner, some mothproofing substances, flammable dust, or other explosive or toxic vapours.
- ◆ Check the type of floor with the manufacturer.
- ◆ Do not use on leather, wax polished furniture or floors, synthetic fabrics, velvet or other delicate, steam sensitive materials.



**Warning!** Do not use on unsealed wood or unsealed laminate floors. On surfaces that have been treated with wax or some no wax floors, the sheen may be removed by the heat and steam action. It is always recommended to test an isolated area of the surface to be cleaned before proceeding. We also recommend that you check the use and care instructions from the floor manufacturer.

- ◆ Never put descaling, aromatic, alcoholic or detergent products into the steam cleaner, as this may damage it or make it unsafe for use.

## Using your appliance

- ◆ Do not open the pressure relief valve during use.
- ◆ Do not direct steam at people, animals, electrical appliances or electrical outlets.
- ◆ Do not expose to rain.
- ◆ Do not immerse the appliance in water.
- ◆ Do not leave the appliance unattended.
- ◆ Do not leave the appliance connected to an electrical outlet when not in use.
- ◆ Never pull the power lead to disconnect the appliance from the socket.
- ◆ Keep the appliance lead away from heat, oil and sharp edges.

- ◆ If the home circuit breaker activates while using the steam function, discontinue product use immediately and contact the customer support centre. (Beware of the risk of electrical shock.)
- ◆ The appliance emits very hot steam to clean the area of use. This means that the steam head, cleaning pads and attachments get very hot during use.

**Caution!** Always wear suitable shoes when using your steam mop and when changing the accessories on your steam mop.

Do not wear slippers or open toed footwear.

- ◆ The lid may become hot during use.
- ◆ The surface of the nozzle may become hot during use
- ◆ Steam may escape from the appliance during use. Care should be taken when using this appliance. **DO NOT** touch any parts which may become hot during use.
- ◆ If steam is observed escaping from the body of the steam mop, switch off and disconnect the unit from the mains supply, allow to cool.  
Contact your nearest authorised repair agent.
- ◆ If steam is observed escaping from the pressure relief valve (21), switch unit off, disconnect the unit from the mains supply, wait for one hour for the appliance to cool, and then unscrew. Check the condition of the seal on the pressure relief valve.

If the seal is in good condition, screw back on completely to a tight fit. If steam continues to escape from the cap contact our nearest authorised repair centre.

**DO NOT CONTINUE TO USE THE APPLIANCE.**

### After use

- ◆ Unplug the appliance and allow to cool before cleaning.
- ◆ When not in use, the appliance should be stored in a dry place.
- ◆ Children should not have access to stored appliances.
- ◆ Residual steam is under pressure in the hose once the unit is switched off. Please allow the unit to cool before pressing the trigger

### Inspection and repairs

- ◆ Unplug the appliance and allow to cool before performing any maintenance or repairs.
- ◆ unplug the appliance and allow to cool, check that there is no steam in the system by activating the steam trigger on the steam handle (11) before unscrewing the pressure relief valve (21). The pressure relief valve should never be unscrewed until the appliance is cooled and no steam left in the system. Screw back on completely to a tight fit after maintenance.
- ◆ Before use, check the appliance for damaged or defective parts.



Check for breakage of parts, damage to switches and any other conditions that may affect its operation.

- ◆ Regularly check the power lead for damage.
- ◆ Do not use the appliance if any part is damaged or defective.
- ◆ Have any damaged or defective parts repaired or replaced by an authorized repair agent.
- ◆ Never attempt to remove or replace any parts other than those specified in this manual.

## Residual risks

Additional residual risks may arise when using the tool which may not be included in the enclosed safety warnings. These risks can arise from misuse, prolonged use etc. Even with the application of the relevant safety regulations and the implementation of safety devices, certain residual risks can not be avoided. These include:

- ◆ Injuries caused by touching any moving parts.
- ◆ Injuries caused by touching any hot parts.
- ◆ Injuries caused when changing any parts or accessories.
- ◆ Injuries caused by prolonged use of the appliance. When using any appliance for prolonged periods ensure you take regular breaks.

## Electrical safety



**Warning!** This product must be earthed.

Always check that the power supply corresponds to the voltage on the rating plate.

Power plugs must match the outlet.

Never modify the plug in any way.

Unmodified plugs and matching outlets will reduce risk of electric shock.

- ◆ If the supply cord is damaged, it must be replaced by the manufacturer or an authorised BLACK+DECKER Service Centre in order to avoid a hazard.

## Extension cables & Class 1 product

- ◆ A 3-core cable must be used as your appliance is earthed and of Class 1 construction.
- ◆ Always use an approved extension cable suitable for the power input of this appliance (see technical data). Up to 30m of 1.50mm<sup>2</sup> extension cable can be used without loss of product performance.  
Before use, inspect the extension cable for signs of damage, wear and ageing.  
Replace the extension cable if damaged or defective.  
When using a cable reel, always unwind the cable completely.

## Labels on appliance

The following pictograms along with the date code are shown on the appliance.



## CAUTION! Hot Steam



Wash at 60°C. Do not use bleach or fabric softener



## CAUTION! Hot Surface

## Features

This appliance includes some or all of the following features.

1. On/off switch
- 1a. Red indicator light - Water empty warning light
- 1b. Green indicator light - Steam ready light
2. White indicator light - Power on indicator
2. Main unit
3. Water tank
4. Accessory storage
- 5a. Extension pole A
- 5b. Extension pole B
6. Floorhead with storage hook
7. Wallpaper stripper plate (Only supplied with unit BHSMP2314)
8. Steam concentrator
9. Hand nozzle (2 supplied with unit BHSMP2314)
10. L-shaped nozzle
11. Steam handle
- 11a. Lock off slider
- 11b. Steam handle trigger
12. Squeegee
13. Hand nozzle sock (2 supplied with unit BHSMP2314)
14. Floorpad (2 supplied with unit BHSMP2314)
15. Round brush (2 supplied with unit BHSMP2314)
16. Copper brush (Only supplied with unit BHSMP2314)
17. Flexible hose
18. Handle nozzle's latches
19. Squeegee peg
20. Squeegee rear hooks
21. Pressure relief valve

## Assembly



**Warning!** Before attempting any of the following instructions, make sure that the appliance is switched off and unplugged and the appliance is cold and does not contain any water.

## Attaching the floor extension to the floor cleaning head (Fig. A)

- ◆ Push the extension pole B (5b) into the floorhead (6) making sure it clicks securely into place, as shown in figure A.

## Attaching the hand held hose unit to the floor extension (Fig. A)

- ◆ Push the steam handle (11) firmly onto extension pole A (5a) making sure it clicks securely into place.
- ◆ Connect extension pole A (5a) to extension pole B (5b)

**Warning!** Inspect the seal between the connection point on the steam handle (11) and the extension poles (5a and 5b) before each use. If the seal malfunctions or is damaged, please contact your nearest authorised repair agent. Do not use the appliance.

## Attaching a cleaning pad (Fig. B)

Replacement cleaning pads are available from your BLACK+DECKER dealer :- (cat no. FSMP20-XJ).

- ◆ Place a cleaning pad (14) on the floor with the velcro 'loop' side facing up.
- ◆ Lightly press the steam mop down onto the cleaning pad.

**Caution!** Never leave the steam mop in one spot on any surface for any period of time. Always place the steam mop supported in the upright position when stationary and make sure the steam mop is turned off when not in use.

## Removing a cleaning pad

**Caution!** Always wear suitable shoes when changing the cleaning pad on your steam mop.

Do not wear slippers or open toed footwear.

- ◆ Return the steam mop to the upright position and turn the steam mop 'OFF'.
- ◆ Wait until the steam mop cools down (approximately 5 minutes).
- ◆ Lift the steam mop away from the cleaning pad (14) freeing it from the velcro fastening by putting weight on the cleaning pad removal tab (14a).

## Attaching / Removing the water tank (Fig. C, D)

**Note!** Fill the water tank (3) with clean tap water (Do not use any additives or chemicals).

**Note!** In areas of hard water, the use of de-ionised water is recommended.

- ◆ Slide the water tank (3) up and away from the steam mop main unit (2).
- ◆ Water tank can be taken to the tap to be filled.
- ◆ Lift cap (3a) to fill.

**Warning!** When filling, maintain the water tank (3) in vertical position with the cap (3a) at the top.

**Warning!** Your water tank has a 1.2 litre capacity. Do not over fill the tank.

- ◆ Close the cap (3a).

**Note!** Ensure the cap is firmly secured.

## Attaching the water tank

- ◆ Slide the water tank (3) down using the ribs to locate into the main unit (2), ensure that the water tank is firmly seated to create a seal.

## Switching on and off (Fig. E)

- ◆ To switch the appliance on, press the ON/Off switch (1). The white light (1c) will illuminate when the power is on and the boiler is heating up. The green light (1b) will illuminate when the boiler is up to temperature the user must press the trigger on the steam handle (11b) to create steam.
- ◆ To switch the appliance off, press the ON/Off switch (1).

**Caution!** Never leave the steam mop in one spot on any surface for any period of time.

Always place the steam mop supported in the upright position when stationary and make sure the steam mop is turned off when not in use.

**Caution!** Always empty the water tank after use.

**Note!** when first filled or after running dry, it can take up to 180 seconds for steam to be produced

Floor Worktop Surface	Setting
Wood/Laminate	Min/Low Steam setting
Tile/Vinyl	Mid Steam setting
Stone/Marble	Max/High Steam setting
Accessories	Setting
Grout Brush	Max/High Steam setting
Small Brush	Max/High Steam setting
Small Brush with copper bristles	Max/High Steam setting
Window / garment Squeegee	Min/Low Steam setting
Wall paper attachment	Max/High Steam setting

**Note:** Always check you are using the correct setting of steam before using your steam mop.

## Steam user interface

This steam mop is fitted with a Steam user interface panel which shows 3 indicator lights (1a, 1b and 1c). They are used to select the correct operating mode for your particular cleaning operation.

- ◆ Turn unit on by pressing the On/Off switch (1).
- ◆ White indicator light (1c) is illuminated when powered on and boiler is heating up.
- ◆ Green indicator light (1b) is illuminated when the unit is up to temperature and ready to use.
- ◆ User must slide the lock off button (11a) on the steam handle (11) from the locked position.
- ◆ Press the trigger (11b) on the steam handle (11) to create steam.
- ◆ After use always slide the lock off button (11a) on the steam handle (11) back to the locked position.

- ◆ The left indicator light (1a) is illuminated when the water tank (3) is empty, take out the water tank (3) and fill with water.
- ◆ To switch appliance off, press the on/off switch (1).

**Note:** Always check you are using the correct setting before using your steam mop.

## Attaching accessories to the steam handle

**Warning!** Inspect the seal between the connection point on the steam handle and the accessories before each use. If the seal malfunctions or is damaged, please contact your nearest authorised repair agent.

Do not use the appliance.

**Warning!** The unit should be switched off before accessories are fitted.

## Attaching large accessories (Fig. F)

- ◆ Accessories 7,8 and 9 can be attached directly to the end of the steam handle.
- ◆ Align the accessory and push firmly onto the steam handle.
- ◆ Make sure latching feature is locked into position to create a seal

**Important!** All accessories must be attached to the steam handle (11) for use.

## Removing a large accessory

- ◆ Press latch and pull accessory away from the steam handle (11).

**Warning!** Allow the unit and all accessories to cool before attempting to remove.

## Attaching small brush accessories

- ◆ Attach steam concentrator (8) to the steam nozzle
- ◆ Small accessories 10,15,16 can be pushed directly onto the steam concentrator (8).
- ◆ Make sure the small accessory is pushed on to create a seal and stays in position.

## Removing a small accessory 10,15,16

- ◆ Pull accessory away from the steam concentrator (8).

**Warning!** Allow the unit and all accessories to cool before attempting to remove.

## Fitting the squeegee onto the hand nozzle 12, 9 (Fig. I, J, K, L)

- ◆ Fit the squeegee rear hooks (20) into the handle nozzle's latches (18) as shown in figure K.
- ◆ Push the handle nozzle down until the body is locked by front peg of the squeegee (19) as shown in figure L.

## Removing the squeegee from the hand nozzle

- ◆ Push the peg of the squeegee (19) forward to release hand nozzle.
- ◆ Rotate hand nozzle and unclip hand nozzle latches (18) from squeegee rear hooks (20) and pull away from each other.

## Hints for optimum use

### General

**Caution!** Never use the steam mop without first attaching a cleaning pad.

- ◆ Always vacuum or sweep the floor before using the steam mop.
- ◆ The easiest way to use the floorhead is to tilt the floorhead tube to a 45° angle and clean slowly, covering a small area at a time.
- ◆ Use water only with no additives or chemicals with your steam mop. To remove stubborn stains from vinyl or linoleum floors, you can pre-treat with a mild detergent and some water before using the steam mop.

### Steam Cleaning with the mop

- ◆ Fit steam handle to the floor extension.
- ◆ Place a cleaning pad (14) on the floor with the velcro 'loop' side facing up.
- ◆ Lightly press the steam mop down onto the cleaning pad (14).
- ◆ Connect the steam mop to the mains.
- ◆ Press the ON/OFF button (1). It takes approximately 180 seconds for the boiler to heat up.
- ◆ Once boiler is up to temperature, adjust the flow rate to the required setting and press the trigger (11b) to start steam flow.
- ◆ It takes a few seconds for steam to enter the cleaning pad. The steam mop will now glide easily over the surface to be cleaned.
- ◆ Push and pull the steam mop slowly across the surface to thoroughly steam clean each section.
- ◆ When you have finished using the steam mop, release the trigger to stop steam flow, return to an upright position, making sure that it is supported and turn "OFF". Wait until the steam mop cools down (Approx 10 mins).

**Caution!** It is important to monitor the water level in the water tank. Red indicator light will illuminate when tank is empty. To refill the water tank and continue to clean stand the mop upright making sure the steam trigger is not pressed.

**Caution!** Never leave the steam mop in one spot on any surface for any period of time. Always place the steam mop supported in the upright position when stationary and make sure the steam mop is turned off when not in use.

### After use

- ◆ Wait until the steam mop cools down.
- ◆ Unplug the steam mop from the electrical wall outlet.

- ◆ Empty the water tank.
- ◆ Remove the cleaning pad (14) and wash it ready for next use (take care to follow the wash care instructions printed on the cleaning pad).

## Accessories

The performance of your appliance depends on the accessory used. BLACK+DECKER accessories are engineered to high quality standards and designed to enhance the performance of your appliance. By using these accessories you will get the very best from your equipment.

### Garment steam cleaning (Fig. G)

- ◆ Attach the hand nozzle (9) to the steam handle (11).
- ◆ Attach the hand nozzle sock (13) around the hand nozzle (9).

**Note!** The hand nozzle (9) should not be used without the hand nozzle sock (13).

- ◆ Connect the steam mop to the mains.
- ◆ Press the ON/OFF button (1). The green indicator light will illuminate when the boiler is up to the temperature.

**Note!** When first filled or after running dry, it can take up to 180 seconds for steam to be produced.

- ◆ Once boiler is up to temperature, Press the required steam setting button to start steam flow.
- ◆ When you have finished using the steam mop, press the steam flow button to stop steam flow, return to an upright position, making sure that it is supported and turn "OFF". Wait until the steam mop cools down (Approx 5 mins).

### Using the wallpaper stripper

- ◆ Check the state of your plaster before you start work as high temperature steam can loosen weak, porous or poorly bonded plaster. Plaster is also loosened more readily in areas of cracks, holes or if the steam plate is held in one position for too long.
- ◆ You may be able to detect if you have weak plaster by tapping a few areas of the walls with your knuckles. If this produces a hollow sound, we recommend proceeding only with extreme care.
- ◆ In all cases test out the wallpaper stripper on a small area, about 100 cm<sup>2</sup>, before starting work properly.
- ◆ If at any stage finishing plaster is loosened or you hear a crack, do not continue. The wallpaper stripper is safe for drywall/plaster board surfaces.
- ◆ Due to the heat generated by this product, it is possible that certain surfaces, ie. carpets, soft furniture, table tops, cabinets etc., could be marked or damaged. To prevent this, ensure a wooden board or other barrier is placed under the boiler to prevent the heat damaging the surface. Dust sheets or newspapers are not adequate for this purpose.

- ◆ For best results, remove wallpaper with a scraper. Scrape off wallpaper in a downward direction.
- ◆ Always wear protection when removing wallpaper from the ceiling. Be careful of condensation collecting in the steam plate as hot water may drip.  
Empty the steam plate regularly and never use directly above your head.
- ◆ Always place the steam plate in a suitable container when left unattended, even for a few seconds, and keep the steam plate facing away from you when in use.

## Accessories storage (Fig. H)

Small accessories along with the floorhead are stored on the rear of the unit.

The floorhead and tube can be located on the accessory storage (4). Locate the hook at the rear of the floorhead (6) and slide into the slot provided on the storage as see in (Fig H). Push firmly down and make sure the floorhead and tube are stable before releasing

## Protecting the environment



Separate collection. Products and batteries marked with this symbol must not be disposed of with normal household waste.

Products and batteries contain materials that can be recovered or recycled, reducing demand for raw materials. Please recycle electrical products and batteries according to local provisions. Further information is available at [www.2helpU.com](http://www.2helpU.com)

## Technical Data

		BHSMP2008 Type 1	BHSMP2314 Type 1
Voltage	$V_{in}$	230	230
Power	W	2000	2300
Tank Capacity	ml	1200	1200
Weight	kg	5.9	6.1

## Troubleshooting

If your appliance seems not to operate properly, follow the instructions below. If this does not solve the problem, please contact your local BLACK+DECKER repair agent. Details of your nearest BLACK+DECKER repair agent can be found on [www.2helpu.com](http://www.2helpu.com)

Problem	Step	Possible solution
The steam mop is not turning on	1.	Check the unit is plugged in at the wall socket
	2.	Check the unit is switched on using the ON/OFF switch (1)
	3.	Check the fuse in the plug

The steam mop is not producing steam	4.	The steam mop will only produce steam once the unit is switched on. The white indicator light will illuminate when power is on. The green indicator light will illuminate when the boiler is up to the temperature and then the steam flow trigger has been pressed on
	5.	Check that the water tank is full. If red indicator light is on then the tank is empty. Note: When first filled or after running dry it will take time to heat up, the green indicator light will illuminate when the boiler is up to the temperature.
	6.	Check steps 1, then 2, then 3, then 4
The steam mop stops producing steam during use	7.	Check steps 4, then 5, then 3
The steam mop is producing too much steam during use	8.	The unit has variable steam flow settings. Set the steam flow to low steam by rotating the dial on the steam handle.
The steam mop is producing too little steam during use	9.	The unit has variable steam flow settings. Set the steam flow to high steam by rotating the dial on the steam handle.
Where can I get further information/ accessories	10.	<a href="http://www.blackanddecker.co.uk">http://www.blackanddecker.co.uk</a> <a href="http://www.blackanddecker.ie">http://www.blackanddecker.ie</a>

## Maintenance

Your BLACK+DECKER tool has been designed to operate over a long period of time with a minimum of maintenance. Continuous satisfactory operation depends upon proper tool care and regular cleaning.



**Warning!** Before performing any maintenance on the tool.

- ◆ Wipe your appliance over using a soft damp cloth.
- ◆ For stubborn marks you can use a mild solution of soap and water to dampen your cloth.

## Guarantee

Black & Decker is confident of the quality of its products and offers consumers a 24 month guarantee from the date of purchase. This guarantee is in addition to and in no way prejudices your statutory rights.

The guarantee is valid within the territories of the United Kingdom, the Member States of the European Union and the European Free Trade Area and the United Kingdom.

To claim on the guarantee, the claim must be in accordance with Black&Decker Terms and Conditions and you will need to submit proof of purchase to the seller or an authorised repair agent. Terms and conditions of the Black&Decker 2 year guarantee and the location of your nearest authorised repair agent can be obtained on the Internet at [www.2helpU.com](http://www.2helpU.com), or by contacting your local Black & Decker office at the address indicated in this manual.

Please visit our website [www.blackanddecker.co.uk](http://www.blackanddecker.co.uk) to register your new Black & Decker product and receive updates on new products and special offers.

### Verwendungszweck

Die BLACK+DECKER Dampfreiniger BHSMP2008 und BHSMP2314 wurden zur Reinigung von versiegeltem Hartholz, versiegeltem Laminat, Linoleum, Vinyl, Keramikfliesen, Stein und Marmor entwickelt. Diese Geräte sind nur für den Gebrauch in Innenräumen bestimmt.

## Sicherheitshinweise



**Warnung! Lesen Sie alle Sicherheitswarnhinweise und alle Anweisungen.** Die Nichteinhaltung der folgenden Warnungen und Anweisungen kann einen elektrischen Schlag, Brand und/oder schwere Verletzungen verursachen.



**Warnung!** Legen Sie Beachten Sie beim Umgang mit netzstrombetriebenen Geräten stets die grundlegenden Sicherheitshinweise, die im Folgenden beschrieben werden. Dadurch verhindern Sie Brände, Stromschläge sowie Sach- und Personenschäden.

- ◆ Der vorgesehene Verwendungszweck ist in dieser Anleitung beschrieben.
- ◆ Bei Verwendung von Zubehör oder Anbauteilen, die nicht in dieser Anleitung empfohlen werden, sowie bei der Verwendung des Geräts in Abweichung von den in dieser Anleitung beschriebenen Verfahren besteht Verletzungsgefahr.
- ◆ Bewahren Sie diese Anleitung auf.
- ◆ Das Werkzeug darf von Personen mit eingeschränkten körperlichen, sensorischen oder geistigen Fähigkeiten sowie mangelnder Erfahrung und Wissen in Bezug auf dessen Gebrauch bedient werden, wenn sie bei der Verwendung des Geräts beaufsichtigt oder angeleitet werden und die möglichen Gefahren verstehen. Kinder dürfen nicht mit dem Gerät spielen.
- ◆ Kinder müssen beaufsichtigt werden, um sicherzustellen, dass sie nicht mit dem Gerät spielen.
- ◆ Der Stecker muss vor der Reinigung oder Wartung des Geräts aus der Steckdose gezogen werden.
- ◆ Halten Sie Flüssigkeiten oder Dampf von Geräten mit elektrischen Komponenten fern, z.B. vom Inneren eines Backofens.
- ◆ Bei der Verwendung des Geräts ist Vorsicht geboten, da es Dampf ausstößt.
- ◆ Halten Sie das Gerät und sein Kabel außerhalb der Reichweite von Kindern unter 8 Jahren, wenn es unter Strom steht oder abkühlt.
- ◆ Bei einer Beschädigung des Netzkabels muss dieses durch den Hersteller, eine Vertragswerkstatt oder eine ähnlich qualifizierte Person ausgetauscht werden, um mögliche Gefahren zu vermeiden.
- ◆ Das Gerät darf nicht unbeaufsichtigt gelassen werden, während es an das Stromnetz angeschlossen ist.

- ◆ Das Gerät darf nicht verwendet werden, wenn es fallen gelassen wurde, wenn es sichtbare Beschädigungen aufweist oder undicht ist.
- ◆ Halten Sie das Gerät außerhalb der Reichweite von Kindern, wenn es an eine Stromzufuhr angeschlossen ist oder abkühlt.
- ◆ Die Einfüllöffnung darf während des Gebrauchs nicht geöffnet werden.
- ◆ Verwenden Sie das Gerät nicht in geschlossenen Räumen, in denen Dämpfe von Verdünnungsmitteln für Ölfarben, bestimmte Mottenschutzmittel, brennbare Stäube oder andere explosive bzw. giftige Dämpfe austreten.
- ◆ Lassen Sie die Art des Bodenbelags durch den Hersteller bestätigen.
- ◆ Verwenden Sie das Gerät nicht auf Leder, gewachsten Möbelstücken oder Böden, synthetischem Gewebe, Samt oder empfindlichen Materialien, die durch Dampf beschädigt werden können.

## Verwendung des Geräts

- ◆ Öffnen Sie das Druckentlastungsventil nicht während des Gebrauchs.
- ◆ Richten Sie den Dampfstrahl nicht auf Menschen, Tiere, elektrische Geräte oder Steckdosen.
- ◆ Nicht Regen aussetzen.
- ◆ Tauchen Sie das Gerät nicht in Wasser.
- ◆ Lassen Sie das Gerät nicht unbeaufsichtigt.
- ◆ Trennen Sie die Stromversorgung des Geräts, wenn dieses nicht verwendet wird.
- ◆ Ziehen Sie den Netzstecker nicht am Kabel aus der Netzsteckdose.
- ◆ Achten Sie darauf, dass das Geräte-kabel nicht in Kontakt mit starker Hitze, Öl oder scharfkantigen Gegenständen kommt.
- ◆ Bedienen Sie den Dampfreiniger nicht mit nassen Händen.
- ◆ Verwenden Sie das Kabel nicht zum Ziehen bzw. Tragen des Geräts oder als Haltegriff. Achten Sie darauf, dass das Kabel nicht in Türen eingeklemmt, über scharfe Kanten gezogen oder Hitzequellen ausgesetzt wird.



**Warnung!** Verwenden Sie das Gerät nicht auf unversiegelten Holz- und Laminatböden. Der Glanz gewachster und bestimmter ungewachster Oberflächen wird möglicherweise durch den heißen Dampf beeinträchtigt. Es wird empfohlen, die Reinigungswirkung zunächst an einer unauffälligen Stelle zu testen. Beachten Sie auch die Anweisungen des jeweiligen Herstellers zu Gebrauch und Pflege des Bodenbelags.

- ◆ Befüllen Sie den Dampfreiniger nicht mit Entkalker, alkoholhaltigen Stoffen sowie Duft- oder Reinigungsmitteln, da das Gerät hierdurch beschädigt oder die Gerätesicherheit beeinträchtigt werden kann.



- ◆ Stellen Sie die Verwendung des Geräts unmittelbar ein, und wenden Sie sich an den Kundendienst, wenn der Schutzschalter bei Verwendung der Dampffunktion ausgelöst wird. (Es besteht die Gefahr eines Stromschlags.)
- ◆ Das Gerät erzeugt zur Säuberung der Anwendungsoberfläche Dampf mit sehr hoher Austrittstemperatur. Deshalb können Reinigungskopf, Bodentuch und Aufsätze bei Betrieb des Geräts sehr heiß werden.

**Achtung!** Tragen Sie bei der Verwendung des Dampfreinigers und dem Austausch der Zubehörteile zweckmäßiges Schuhwerk. Tragen Sie keine Hausschuhe oder Sandalen.

- ◆ Der Gerätedeckel kann während des Betriebs heiß werden.
- ◆ Die Düsenoberfläche kann während des Betriebs heiß werden.
- ◆ Bei Verwendung des Geräts kann Dampf austreten. Das Gerät ist mit Vorsicht zu betreiben. Teile, die während des Betriebs heiß werden können, dürfen NICHT BERÜHRT WERDEN.
- ◆ Schalten Sie das Gerät aus, trennen Sie es von der Stromversorgung, und lassen Sie das Gerät abkühlen, wenn Dampf aus dem Gehäuse austritt. Wenden Sie sich an eine Vertragswerkstatt in Ihrer Nähe.

- ◆ Wenn Dampf aus dem Druckentlastungsventil (21) austritt, schalten Sie das Gerät aus, trennen Sie es von der Stromversorgung, warten Sie eine Stunde, bis das Gerät abgekühlt ist, und schrauben Sie es dann ab. Überprüfen Sie den Zustand der Dichtung des Druckentlastungsventils. Wenn die Dichtung in gutem Zustand ist, schrauben Sie sie wieder vollständig auf, bis sie fest sitzt. Wenn weiterhin Dampf aus dem Deckel austritt, wenden Sie sich an die nächstgelegene Vertragswerkstatt. **DAS GERÄT DARF NICHT WEITER VERWENDET WERDEN.**

## Nach dem Gebrauch

- ◆ Ziehen Sie den Netzstecker, und lassen Sie das Gerät vor dem Reinigen abkühlen.
- ◆ Bewahren Sie das Gerät bei Nichtgebrauch an einem trockenen Ort auf.
- ◆ Kinder sollten keinen Zugang zu aufbewahrten Geräten haben.
- ◆ Nach dem Ausschalten des Geräts steht der Restdampf im Schlauch unter Druck. Bitte lassen Sie das Gerät abkühlen, bevor Sie den Auslöser drücken.

## Inspektion und Reparaturen

- ◆ Ziehen Sie vor der Durchführung von Wartungsarbeiten oder Reparaturen den Netzstecker, und lassen Sie das Gerät abkühlen.



- ◆ Ziehen Sie den Netzstecker und lassen Sie das Gerät abkühlen, Vergewissern Sie sich, dass sich kein Dampf mehr im System befindet, indem Sie den Auslöser am Dampfauslösegriff (11) betätigen, bevor Sie das Druckentlastungsventil (21) abschrauben. Nach der Wartung muss es wieder vollständig und fest aufgeschraubt werden.
- ◆ Prüfen Sie das Gerät vor der Verwendung auf beschädigte oder defekte Teile. Prüfen Sie, ob Teile gebrochen sind, Schalter beschädigt wurden oder andere Bedingungen vorliegen, welche die Funktion beeinträchtigen können.
- ◆ Überprüfen Sie das Netzkabel in regelmäßigen Abständen auf Beschädigungen.
- ◆ Betreiben Sie das Gerät nicht, wenn Teile beschädigt oder defekt sind.
- ◆ Lassen Sie beschädigte oder defekte Teile in einer Vertragswerkstatt reparieren oder austauschen.
- ◆ Ersetzen oder entfernen Sie keine Teile, für die in dieser Anleitung keine entsprechende Beschreibung enthalten ist.

## Restrisiken

Beim Gebrauch dieses Geräts verbleiben zusätzliche Restrisiken, die möglicherweise nicht in den Sicherheitshinweisen genannt werden. Diese Risiken bestehen beispielsweise bei Missbrauch oder längerem Gebrauch.

Auch bei der Einhaltung der entsprechenden Sicherheitsvorschriften und der Verwendung aller Sicherheitsgeräte bestehen weiterhin bestimmte Restrisiken. Diese sind:

- ◆ Verletzungen, die durch das Berühren von sich bewegenden Teilen verursacht werden.
- ◆ Verletzungen, die durch das Berühren von erhitzten Teilen verursacht werden.
- ◆ Verletzungen, die durch das Austauschen von Teilen oder Zubehör verursacht werden.
- ◆ Verletzungen, die durch längeren Gebrauch des Geräts verursacht werden. Legen Sie bei längerem Gebrauch regelmäßige Pausen ein.

## Elektrische Sicherheit



**Warnung!** Das Gerät muss geerdet werden. Überprüfen Sie immer, dass die Stromversorgung der Spannung auf dem Typenschild entspricht.

Der Netzstecker des Gerätes muss in die Steckdose passen.

Ändern Sie niemals den Stecker in irgendeiner Form.

Unveränderte Stecker und passende Steckdosen mindern die Gefahr eines elektrischen Schlags.

- ◆ Bei einer Beschädigung des Netzkabels muss dieses durch den Hersteller oder eine BLACK+DECKER-Vertragswerkstatt ausgetauscht werden, um mögliche Gefahren zu vermeiden.

## Verlängerungskabel und Produkt der Klasse 1

- Wenn das Gerät geerdet ist, und es sich um ein Produkt der Klasse 1 handelt, muss ein dreidriges Kabel verwendet werden.
- Verwenden Sie ausschließlich geprüfte Verlängerungskabel, die für die Leistungsaufnahme dieses Geräts ausgelegt sind (siehe "Technische Daten"). Es kann ein 1,50mm<sup>2</sup>-Verlängerungskabel von einer Länge von bis zu 30m verwendet werden, ohne dass die Leistung des Geräts beeinträchtigt wird. Prüfen Sie vor der Inbetriebnahme das Netzkabel auf Verschleiß und Beschädigungen. Wechseln Sie beschädigte oder fehlerhafte Verlängerungskabel aus. Wenn Sie eine Kabeltrommel verwenden, wickeln Sie das Kabel vollständig ab.

2. Hauptgerät
3. Wassertank
4. Zubehörfach
- 5a. Verlängerungsstange A
- 5b. Verlängerungsstange B
6. Fußbodenkopf mit Aufbewahrungshaken
7. Tapetenablöserplatte (nur im Lieferumfang des Modells BHSMP2314)
8. Dampfkonzentrator
9. Handdüse (2 Stück im Lieferumfang des Modells BHSMP2314)
10. L-förmige Düse
11. Dampfauslösegriff
- 11a. Arretierschieber
- 11b. Dampfgriffauslöser
12. Abstreifer
13. Handdüsenüberzug (2 Stück im Lieferumfang des Modells BHSMP2314)
14. Bodentuch (2 Stück im Lieferumfang des Modells BHSMP2314)
15. Rundbürste (2 Stück im Lieferumfang des Modells BHSMP2314)
16. Kupferbürste (nur im Lieferumfang des Modells BHSMP2314)
17. Flexibler Schlauch
18. Handdüsensicherungen
19. Abstreiferklammer
20. Hintere Abstreiferhaken
21. Druckentlastungsventil

## Warnsymbole am Gerät

Folgende Piktogramme sowie der Datumcode befinden sich auf dem Gerät.



**ACHTUNG!** Heißer Dampf



Bei 60°C waschen. Keine Bleichmittel oder Weichspüler verwenden.



**ACHTUNG!** Heiße Oberfläche

## Merkmale

Dieses Gerät verfügt über einige oder alle der folgenden Merkmale.

1. Ein-/Aus-Schalter
- 1a. Rote Kontrollleuchte - Warnleuchte Wasser leer
- 1b. Grüne Kontrollleuchte - Bereitschaftsleuchte Dampf
- 1c. Weiße Kontrollleuchte - Einschaltanzeige

## Montage



**Warnung!** Vergewissern Sie sich vor Ausführung der folgenden Schritte, dass das Gerät ausgeschaltet ist und der Netzstecker gezogen wurde. Weiterhin muss das Gerät abgekühlt sein und darf kein Wasser enthalten.

### Anbringen der Parkettdüsenverlängerung an der Bodenreinigungsdüse (Abb. A)

- Drücken Sie die Verlängerungsstange B (5b) wie in Abbildung A gezeigt in den Fußbodenkopf (6) und achten Sie dabei darauf, dass sie richtig einrastet.

### Anbringen der Handschlaucheinheit an der Parkettdüsenverlängerung (Abb. A)

- Drücken Sie den Dampfauslösegriff (11) fest auf die Verlängerungsstange A (5a) und achten Sie dabei darauf, dass er richtig einrastet.
- Verbinden Sie Verlängerungsstange A (5a) mit Verlängerungsstange B (5b).

**Warnung!** Überprüfen Sie vor jedem Gebrauch die Dichtung zwischen dem Verbindungspunkt am Dampfauslösegriff (11) und den Verlängerungsstangen (5a und 5b).

Wenden Sie sich an eine Vertragswerkstatt in Ihrer Nähe, wenn die Dichtung nicht funktioniert oder beschädigt ist. Das Gerät darf nicht weiter verwendet werden.

### Anbringen eines Reinigungstuchs (Abb. B)

Ersatztücher erhalten Sie im BLACK+DECKER Fachhandel: – (Katalognr. FSMP20-XJ).

- ◆ Legen Sie ein Reinigungstuch (14) mit den Klettverschlüssen nach oben auf den Boden.
- ◆ Drücken Sie den Dampfreiniger vorsichtig auf das Reinigungstuch.

**Achtung!** Stellen Sie den Dampfreiniger – ungeachtet der jeweiligen Oberfläche – keinesfalls längere Zeit an einer Stelle ab. Stellen Sie den Dampfreiniger stets in aufrechter Stellung ab. Stellen Sie sicher, dass der Dampfreiniger ausgeschaltet ist, wenn dieser nicht verwendet wird.

### Entfernen eines Reinigungstuchs

**Achtung!** Tragen Sie beim Wechseln des Reinigungstuchs stets zweckmäßiges Schuhwerk.

Tragen Sie keine Hausschuhe oder Sandalen.

- ◆ Bringen Sie den Dampfreiniger in die aufrechte Stellung und schalten Sie ihn AUS.
- ◆ Warten Sie, bis der Dampfreiniger abgekühlt ist, bevor Sie diesen verstauen (etwa 5 Minuten).
- ◆ Heben Sie den Dampfreiniger (14) vom Reinigungstuch ab und lösen Sie dabei die Klettverschlüsse, indem Sie auf die Lasche zum Entfernen des Reinigungstuchs (14a) drücken.

### Anbringen / Entfernen des Wassertanks (Abb. C, D)

**Hinweis!** Füllen Sie den Wassertank (3) mit sauberem Leitungswasser. (Verwenden Sie keine Zusatzstoffe oder Chemikalien.)

**Hinweis!** In Regionen mit kalkhaltigem Wasser wird die Verwendung von destilliertem Wasser empfohlen.

- ◆ Schieben Sie den Wassertank (3) nach oben und vom Hauptgerät des Dampfreinigers (2) weg.
- ◆ Der Wassertank kann auch an einem Wasserhahn aufgefüllt werden.
- ◆ Heben Sie zum Befüllen den Deckel (3a) an.

**Warnung!** Halten Sie den Wassertank (3) beim Befüllen senkrecht und mit dem Deckel (3a) nach oben.

**Warnung!** Der Tank hat eine Kapazität von 1,2 l. Überfüllen Sie den Tank nicht.

- ◆ Schließen Sie den Deckel (3a).

**Hinweis!** Stellen Sie sicher, dass der Deckel fest sitzt.

### Anbringen des Wassertanks

- ◆ Schieben Sie den Wassertank (3) mit Hilfe der Rippen nach unten in das Hauptgerät (2) und achten Sie darauf, dass der Wassertank fest sitzt, um einen Dichtungseffekt zu erzeugen.

### Ein- und Ausschalten (Abb. E)

- ◆ Zum Einschalten des Geräts drücken Sie den Ein-/Aus-Schalter (1). Das weiße Licht (1c) leuchtet, wenn der Strom eingeschaltet ist und der Dampfreiniger aufheizt. Das grüne Licht (1b) leuchtet auf, wenn das Gerät die nötige Temperatur erreicht hat. Der Benutzer muss nun den Abzug am Dampfauslösegriff (11b) drücken, um Dampf zu erzeugen.
- ◆ Drücken Sie den Ein-/Aus-Schalter (1), um das Gerät auszuschalten.

**Achtung!** Stellen Sie den Dampfreiniger – ungeachtet der jeweiligen Oberfläche – keinesfalls längere Zeit an einer Stelle ab.

Stellen Sie den Dampfreiniger stets in aufrechter Stellung ab. Stellen Sie sicher, dass der Dampfreiniger ausgeschaltet ist, wenn dieser nicht verwendet wird.

**Achtung!** Entleeren Sie nach Gebrauch immer den Wassertank.

**Hinweis!** Nach dem ersten Befüllen oder nachdem der Tank vollständig leer war, kann es bis zu 180 Sekunden dauern, bis Dampf erzeugt wird.

Bodenmaterial	Einstellung
Holz/Laminat	Minimale/niedrige Dampfeinstellung
Fliesen/PVC	Mittlere Dampfeinstellung
Stein/Marmor	Maximale/hohe Dampfeinstellung
Zubehör	Einstellung
Fugenbürste	Maximale/hohe Dampfeinstellung
Kleine Bürste	Maximale/hohe Dampfeinstellung
Kleine Bürste mit Kupferborsten	Maximale/hohe Dampfeinstellung
Fenster- / Kleiderabstreifer	Minimale/niedrige Dampfeinstellung
Tapetenaufsatz	Maximale/hohe Dampfeinstellung

**Hinweis:** Überprüfen Sie vor dem Verwenden des Dampfreinigers stets, ob die richtige Dampfeinstellung ausgewählt ist.

### Benutzeroberfläche zur Dampfregelung

Dieser Dampfreiniger ist mit einer Benutzeroberfläche zur Dampfregelung ausgestattet, die über 3 Kontrollleuchten (1a, 1b und 1c) verfügt. Die Programmwahl dient zum Auswählen des richtigen Betriebsmodus für die entsprechende Reinigungsanwendung.

- ◆ Schalten Sie das Gerät über den Ein-/Aus-Schalter (1) ein.
- ◆ Die weiße Kontrollleuchte (1c) leuchtet, wenn der Dampfreiniger eingeschaltet ist und sich aufheizt.
- ◆ Die grüne Kontrollleuchte (1b) leuchtet, wenn das Gerät die nötige Temperatur erreicht hat und betriebsbereit ist.
- ◆ Der Benutzer muss nun die Einschaltsperr (11a) am Dampfauslösegriff (11) aus der verriegelten Position schieben.
- ◆ Drücken Sie den Abzug (11b) am Dampfauslösegriff (11), um Dampf zu erzeugen.

- ◆ Schieben Sie nach Gebrauch immer die Einschaltsperr (11a) am Dampfauslösegriff (11) zurück in die verriegelte Position.
- ◆ Die linke Kontrollleuchte (1a) leuchtet, wenn der Wassertank (3) leer ist. Nehmen Sie den Wassertank (3) heraus und füllen Sie ihn mit Wasser.
- ◆ Drücken Sie den Ein-/Aus-Schalter (1), um das Gerät auszuschalten.

**Hinweis:** Überprüfen Sie vor dem Verwenden des Dampfreinigers stets, ob die richtige Einstellung ausgewählt ist.

## Anbringen von Zubehör am Dampfauslösegriff

**Warnung!** Überprüfen Sie vor jedem Gebrauch die Dichtung zwischen dem Verbindungspunkt am Dampfauslösegriff und dem Zubehör. Wenden Sie sich an eine Vertragswerkstatt in Ihrer Nähe, wenn die Dichtung nicht funktioniert oder beschädigt ist. Das Gerät darf nicht weiter verwendet werden.

**Warnung!** Das Gerät muss ausgeschaltet werden, bevor Zubehör angebracht wird.

## Anbringen großer Zubehörteile (Abb. F)

- ◆ Die Zubehörteile 7, 8 und 9 können direkt am Ende des Dampfauslösegriff angebracht werden.
- ◆ Richten Sie das Zubehör aus und drücken Sie es fest auf den Dampfauslösegriff.
- ◆ Vergewissern Sie sich, dass die Verriegelung in ihrer Position eingerastet ist, um einen Dichtungseffekt zu erzeugen.

**Wichtig!** Alle Zubehörteile müssen am Dampfauslösegriff (11) angebracht werden.

## Entfernen großer Zubehörteile

- ◆ Drücken Sie auf die Verriegelung und ziehen Sie das Zubehör vom Dampfauslösegriff (11) ab.

**Warnung!** Warten Sie, bis das Gerät und alle Zubehörteile abgekühlt sind, bevor Sie versuchen, Teile abzunehmen.

## Anbringen von kleinem Bürstenzubehör

- ◆ Bringen Sie den Dampfkonzentrat (8) an der Dampfdüse an.
- ◆ Die kleinen Zubehörteile 10, 15, 16 können direkt auf den Dampfkonzentrat (8) geschoben werden.
- ◆ Achten Sie darauf, dass das kleine Zubehörteil richtig aufgeschoben wird, um einen Dichtungseffekt zu erzeugen, und dass es in seiner Position bleibt.

## Abnehmen kleiner Zubehörteile 10, 15, 16

- ◆ Ziehen Sie das Zubehör vom Dampfkonzentrat (8) ab.

**Warnung!** Warten Sie, bis das Gerät und alle Zubehörteile abgekühlt sind, bevor Sie versuchen, Teile abzunehmen.

## Anbringen des Abstreifers an der Handdüse 12, 9 (Abb. I, J, K, L)

- ◆ Stecken Sie die hinteren Abstreiferhaken (20) in die Handdüsenicherungen (18), wie in Abbildung K dargestellt.
- ◆ Drücken Sie die Handdüse nach unten, bis das Gehäuse durch die vordere Klammer des Abstreifers (19) gesichert ist, wie in Abbildung L dargestellt.

## Entfernen des Abstreifers von der Handdüse

- ◆ Drücken Sie die Klammer des Abstreifers (19) nach vorne, um die Handdüse zu lösen.
- ◆ Drehen Sie die Handdüse und lösen Sie die Handdüsenicherungen (18) von den hinteren Abstreiferhaken (20) und ziehen Sie die Teile voneinander weg.

## Hinweise für optimale Arbeitsergebnisse

### Allgemeines

**Vorsicht:** Verwenden Sie den Dampfreiniger keinesfalls ohne Reinigungstuch.

- ◆ Reinigen Sie den Boden vor der Verwendung des Dampfreinigers stets mit einem Staubsauger bzw. einem Besen.
- ◆ Der Fußbodenkopf lässt sich am einfachsten verwenden, wenn Sie den Schlauch des Fußbodenkopfes in einem Winkel von 45° Grad neigen und jeweils nur eine kleine Fläche bearbeiten.
- ◆ Verwenden Sie den Dampfreiniger nur mit Wasser ohne Zusätze oder Chemikalien. Hartnäckige Flecken auf PVC- oder Linoleumböden können mit einem milden Reinigungsmittel und Wasser vorbehandelt werden, um die Arbeit mit dem Dampfreiniger zu erleichtern.

## Dampfreinigung mit dem Mopp

- ◆ Bringen Sie den Dampfauslösegriff an der Parkettdüsenverlängerung an.
- ◆ Legen Sie ein Reinigungstuch (14) mit den Klettverschlüssen nach oben auf den Boden.
- ◆ Drücken Sie den Dampfreiniger vorsichtig auf das Bodentuch (14).
- ◆ Schließen Sie den Dampfreiniger an die Stromversorgung an.
- ◆ Drücken Sie den Ein-/Aus-Schalter (1). Der Dampfreiniger benötigt zum Erhitzen des Wassers ca. 180 Sekunden.
- ◆ Sobald das Gerät die nötige Temperatur erreicht hat, stellen Sie die Durchflussmenge wie gewünscht ein und drücken den Auslöser (11b), um den Dampfstrom zu starten.
- ◆ Es dauert einige Sekunden, bis der Dampf das Bodentuch durchdringt. Anschließend gleitet der Dampfreiniger mühelos über die zu reinigende Oberfläche.
- ◆ Bewegen Sie den Dampfreiniger langsam über die Oberfläche, um alle Bereiche gründlich zu reinigen.

- ◆ Wenn Sie mit der Arbeit mit dem Dampfreiniger fertig sind, lassen Sie den Auslöser los, um die Dampfausgabe zu beenden, bringen das Gerät in die aufrechte Stellung, so dass es abgestützt ist, und schalten es AUS. Warten Sie, bis der Dampfreiniger abgekühlt ist (etwa 10 Minuten).

**Achtung!** Achten Sie stets auf den Wasserpegel im Tank. Die rote Kontrollleuchte leuchtet auf, wenn der Tank leer ist. Zum Auffüllen des Wassertanks stellen Sie den Dampfreiniger aufrecht hin und achten darauf, dass der Dampfauslöser nicht gedrückt ist.

**Achtung!** Stellen Sie den Dampfreiniger – ungeachtet der jeweiligen Oberfläche – keinesfalls längere Zeit an einer Stelle ab. Stellen Sie den Dampfreiniger stets in aufrechter Stellung ab. Stellen Sie sicher, dass der Dampfreiniger ausgeschaltet ist, wenn dieser nicht verwendet wird.

### Nach dem Gebrauch

- ◆ Warten Sie, bis der Dampfreiniger abgekühlt ist, bevor Sie diesen verstauen.
- ◆ Ziehen Sie den Netzstecker.
- ◆ Leeren Sie den Wassertank.
- ◆ Entfernen Sie das Reinigungstuch (14) und waschen Sie es, damit es für den nächsten Einsatz bereit ist. (Beachten Sie die Pflegehinweise auf dem Reinigungstuch.)

### Zubehör

Das verwendete Zubehör hat wesentlichen Einfluss auf die Leistung des Geräts. Zubehörteile von BLACK+DECKER erfüllen höchste Qualitätsstandards und wurden speziell für die Verwendung mit Ihrem Gerät entwickelt. Bei Verwendung dieses Zubehörs erhalten Sie stets optimale Ergebnisse.

### Dampfreinigung von Kleidungsstücken (Abb. G)

- ◆ Bringen Sie die Handdüse (9) am Dampfauslösegriff (11) an.
- ◆ Ziehen Sie den Handdüsenüberzug (13) über die Handdüse (9).

**Hinweis!** Die Handdüse (9) sollte nicht ohne den Handdüsenüberzug (13) verwendet werden.

- ◆ Schließen Sie den Dampfreiniger an die Stromversorgung an.
- ◆ Drücken Sie den Ein-/Ausschalter (1). Die grüne Kontrollleuchte leuchtet auf, wenn der Dampfreiniger die nötige Temperatur erreicht hat.

**Hinweis!** Nach dem ersten Befüllen oder nachdem der Tank vollständig leer war, kann es bis zu 180 Sekunden dauern, bis Dampf erzeugt wird.

- ◆ Sobald das Wasser die benötigte Temperatur erreicht hat, drücken Sie die gewünschte Dampfeinstellungstaste, um den Dampfstrom zu starten.

- ◆ Wenn Sie mit der Arbeit mit dem Dampfreiniger fertig sind, drücken Sie die Dampfausgabetaaste, um die Dampfausgabe zu beenden, bringen das Gerät in die aufrechte Stellung, so dass es abgestützt ist, und schalten es AUS. Warten Sie, bis der Dampfreiniger abgekühlt ist (etwa 5 Minuten).

### Verwenden des Tapetenablösers

- ◆ Prüfen Sie vor Arbeitsbeginn den Zustand des Verputzes, da Dampf mit hohen Temperaturen lockeren, porösen oder schlecht gebundenen Putz lösen kann. Der Putz kann sich auch in Bereichen leichter ablösen, die Sprünge oder Löcher aufweisen. Auch sollte die Dampfplatte nicht über einen längeren Zeitraum über einer Stelle gehalten werden.
- ◆ Sie können lockeren Putz erkennen, indem Sie einige Stellen der Wand mit den Knöcheln klopfen. Wenn dabei ein hohler Klang entsteht, wird empfohlen, nur unter größter Vorsicht fortzufahren.
- ◆ Testen Sie den Tapetenablöser in jedem Fall zunächst in einem kleinen Bereich von etwa 100 cm<sup>2</sup>, bevor Sie mit der eigentlichen Arbeit beginnen.
- ◆ Wenn Sie feststellen, dass sich der Verputz löst oder ein Knacken zu hören ist, stellen Sie die Arbeit ein. Der Tapeetenablöser kann gefahrlos für Rigips-/Gipskartonflächen eingesetzt werden.
- ◆ Aufgrund der von diesem Produkt erzeugten Hitze können bestimmte Oberflächen, z. B. Teppiche, Polstermöbel, Tischplatten oder Schränke Schäden davontragen. Damit die jeweiligen Oberflächen nicht durch die Hitze des Boilers beschädigt werden, sollte dieser stets auf ein Holzbrett oder einen ähnlichen Gegenstand gestellt werden. Staubdecken oder Zeitungen eignen sich nicht für diesen Zweck.
- ◆ Die besten Ergebnisse erzielen Sie, wenn Sie Tapeten mit einem Schaber ablösen. Schaben Sie Tapeten von oben nach unten ab.
- ◆ Tragen Sie beim Entfernen von Deckentapeten stets Schutzkleidung. Achten Sie auf das sich an der Dampfplatte sammelnde Kondenswasser, da heißes Wasser abtropfen kann. Leeren Sie die Dampfplatte regelmäßig, und verwenden Sie sie nicht direkt über Ihrem Kopf.
- ◆ Die Dampfplatte stets in einem geeigneten Behälter platzieren, wenn diese (auch nur kurz) unbeaufsichtigt bleibt. Bei der Verwendung darf die Dampfplatte nicht in Richtung des Benutzers weisen.

### Zubehöraufbewahrung (Abb. H)

Kleinere Zubehörteile sowie der Fußbodenkopf werden auf der Rückseite des Geräts aufbewahrt. Der Fußbodenkopf und der Schlauch können an der Zubehöraufbewahrung (4) untergebracht werden.

Schieben Sie den Haken an der Rückseite des Fußbodenkopfes (6) in den dafür vorgesehenen Schlitz an der Ablage, wie in Abb. H dargestellt. Drücken Sie fest nach unten und vergewissern Sie sich, dass Fußbodenkopf und Schlauch stabil sitzen, bevor Sie sie loslassen.

**Umweltschutz**



Getrennte Entsorgung. Produkte und Akkus mit diesem Symbol dürfen nicht mit dem normalen Hausmüll entsorgt werden.

Produkte und Akkus enthalten Materialien, die wiederverwertet werden können, um den Bedarf an Rohstoffen zu verringern. Bitte recyceln Sie Elektroprodukte und Akkus gemäß den lokalen Bestimmungen. Weitere Informationen finden Sie auf [www.2helpU.com](http://www.2helpU.com)

**Technische Daten**

		BHSMP2008 Typ 1	BHSMP2314 Typ 1
Spannung	V <sub>AC</sub>	230	230
Leistung	W	2000	2300
Fassungsvormögen des Tanks	ml	1200	1200
Gewicht	kg	5,9	6,1

**Fehlerbehebung**

Wenn das Gerät nicht richtig zu funktionieren scheint, befolgen Sie die nachfolgenden Hinweise. Sollte sich das Problem nicht beheben lassen, wenden Sie sich an eine BLACK+DECKER Vertragswerkstatt in Ihrer Nähe. Informationen über die nächstgelegene BLACK+DECKER-Reparaturwerkstatt finden Sie auf [www.2helpu.com](http://www.2helpu.com).

Problem	Schritt	Mögliche Lösung
Der Dampfreiniger lässt sich nicht einschalten	1.	Überprüfen Sie, ob der Stecker in der Steckdose steckt
	2.	Prüfen Sie, ob das Gerät mit dem Ein-/Aus-Schalter (1) eingeschaltet wurde.
	3.	Prüfen Sie die Sicherung im Stecker
Der Dampfreiniger erzeugt keinen Dampf	4.	Der Dampfreiniger produziert nur dann Dampf, wenn das Gerät eingeschaltet ist. Die weiße Kontrollleuchte leuchtet auf, wenn das Gerät eingeschaltet ist. Die grüne Kontrollleuchte leuchtet auf, wenn das Gerät die nötige Temperatur erreicht hat und der Dampfauslöser gedrückt wurde.
	5.	Überprüfen Sie, ob der Wassertank voll ist. Wenn die rote Kontrollleuchte leuchtet, ist der Tank leer. Hinweis: Bei der Erstbefüllung oder nach einem Trockenlauf braucht das Gerät eine gewisse Zeit zum Aufheizen; die grüne Kontrollleuchte leuchtet auf, wenn der Dampfreiniger die nötige Temperatur erreicht hat.
	6.	Überprüfen Sie Schritt 1, dann 2, dann 3, dann 4.

Problem	Schritt	Mögliche Lösung
Der Dampfreiniger hört während der Verwendung mit der Dampferzeugung auf.	7.	Überprüfen Sie Schritt 4, dann 5, dann 3.
Der Dampfreiniger erzeugt bei der Verwendung zu viel Dampf.	8.	Das Gerät verfügt über variable Dampfmengeneinstellungen. Stellen Sie die Dampfmenge auf eine geringe Dampfausgabe ein, indem Sie den Drehknopf am Dampfauslösegriff drehen.
Der Dampfreiniger erzeugt bei der Verwendung zu wenig Dampf.	9.	Das Gerät verfügt über variable Dampfmengeneinstellungen. Stellen Sie die Dampfmenge auf eine hohe Dampfausgabe ein, indem Sie den Drehknopf am Dampfauslösegriff drehen.
Wo kann ich weitere Informationen/Zubehör bekommen?	10.	<a href="http://www.blackanddecker.de">http://www.blackanddecker.de</a> <a href="http://www.blackanddecker.ie">http://www.blackanddecker.ie</a>

**Wartung**

Ihr BLACK+DECKER Gerät wurde im Hinblick auf eine lange Lebensdauer und einen möglichst geringen Wartungsaufwand entwickelt. Ein kontinuierlicher, zufriedenstellender Betrieb hängt von der richtigen Pflege des Gerätes und seiner regelmäßigen Reinigung ab.



Warnung! Vor Wartungs- oder Reinigungsarbeiten am Gerät.

- Reinigen Sie das Gerät regelmäßig mit einem weichen, feuchten Tuch.
- Hartnäckige Flecken lassen sich mit milder Seifenlauge und einem feuchten Tuch entfernen.

**Garantie**

Black & Decker vertraut auf die Qualität der eigenen Geräte und bietet dem Käufer eine außergewöhnliche Garantie von 24 Monaten ab Kaufdatum. Diese Garantie versteht sich unbeschadet der gesetzlichen Gewährleistungsansprüche und schränkt diese keinesfalls ein. Diese Garantie gilt innerhalb der Staatsgebiete der Mitgliedstaaten der Europäischen Union und der Europäischen Freihandelszone und des Vereinigten Königreichs.

Zur Inanspruchnahme dieser Garantie muss sie den allgemeinen Geschäftsbedingungen von Black + Decker entsprechen und dem Verkäufer bzw. der Vertragswerkstatt ist ein Kaufnachweis vorzulegen. Die Bedingungen für die 2-jährige Garantie von Black&Decker und den Standort Ihrer nächstgelegenen Vertragswerkstatt finden Sie im Internet unter [www.2helpU.com](http://www.2helpU.com) oder indem Sie sich an die lokale Black&Decker-Niederlassung wenden, deren Adresse Sie in dieser Anleitung finden.

Ihr neues Black & Decker Produkt können Sie auf unserer Website unter [www.blackanddecker.de](http://www.blackanddecker.de) registrieren. Dort erhalten Sie auch Informationen über neue Produkte und Sonderangebote.



**Utilisation prévue**

Vos balais BLACK+DECKER BHSMP2008, BHSMP2314 ont été conçus pour laver les planchers en bois dur, stratifié, linoléum, vinyle, carrelage, pierre et marbre. Ces appareils sont destinés à un usage domestique en intérieur uniquement.

**Consignes de sécurité**

**Avertissement ! Veillez à lire tous les avertissements de sécurité et toutes les instructions.** Le non-respect des avertissements et des instructions listés ci-dessous peut occasionner des décharges électriques, des incendies et/ou de graves blessures.



**Avertissement !** L'utilisation d'appareils alimentés sur secteur implique le respect de certaines précautions de sécurité élémentaires, dont celles qui suivent, afin de réduire les risques d'incendie, de décharge électrique, de blessures et de dégâts matériels.

- ◆ Cette notice décrit la manière d'utiliser l'appareil.
- ◆ L'utilisation d'un accessoire ou d'un équipement autre que ceux recommandés ou l'utilisation de cet appareil à d'autres fins que celles spécifiées dans ce manuel d'utilisation peuvent présenter un risque de blessure.
- ◆ Conservez cette notice pour pouvoir vous y référer dans le futur.
- ◆ Cet appareil peut être utilisé par des personnes aux capacités physiques, sensorielles ou intellectuelles diminuées ou qui manquent d'expérience et de connaissances, à condition qu'elles soient supervisées ou qu'elles aient été formées sur l'utilisation sûre de l'appareil et qu'elles comprennent les risques encourus. Ne laissez pas les enfants jouer avec l'appareil.
- ◆ Les enfants doivent être surveillés afin de garantir qu'ils ne jouent pas avec l'appareil.
- ◆ La prise doit être débranchée de la prise murale avant le nettoyage ou la maintenance de l'appareil.
- ◆ Le liquide ou la vapeur ne doivent en aucun cas être dirigés vers des équipements contenant des composants électriques, comme l'intérieur d'un four par exemple.
- ◆ L'émission de vapeur nécessite que l'appareil soit utilisé avec précaution.
- ◆ Gardez l'appareil et son câble hors de portée des enfants de moins de 8 ans lorsqu'il est sous tension ou qu'il est en train de refroidir.
- ◆ Si le câble d'alimentation est endommagé, il doit être remplacé par le fabricant, l'un de ses prestataires de services ou toute autre personne disposant des mêmes qualifications afin d'éviter tout risque.
- ◆ L'appareil ne doit pas être laissé sans surveillance tant qu'il est branché.

- ◆ L'appareil ne doit pas être utilisé s'il a chuté, s'il présente des signes visibles de dommages ou s'il fuit.
- ◆ Gardez l'appareil hors de portée des enfants lorsqu'il est sous tension ou pendant qu'il refroidit.
- ◆ L'ouverture de remplissage ne doit pas être ouverte pendant d'utilisation.

## Utiliser votre appareil

- ◆ N'ouvrez pas la soupape de décharge pendant l'utilisation.
- ◆ N'orientez pas la vapeur vers des personnes, des animaux, des appareils ou des prises électriques.
- ◆ N'exposez pas l'équipement à la pluie.
- ◆ Ne plongez pas l'appareil dans l'eau.
- ◆ Ne laissez pas l'appareil sans surveillance.
- ◆ Ne laissez pas l'appareil branché dans une prise s'il ne doit pas être utilisé.
- ◆ Ne tirez jamais sur le fil électrique pour le débrancher.
- ◆ Maintenez le câble électrique à l'écart de toute source de chaleur, de zones grasses et de bords tranchants.
- ◆ N'utilisez pas le balai à vapeur avec les mains humides.
- ◆ Le fil ne doit pas être tiré ou servir de poignée. Il ne doit pas être coincé par une porte, glisser sur des coins anguleux ou approcher de surfaces chaudes.
- ◆ N'utilisez pas l'appareil dans un espace clos en présence de vapeurs issues de diluants à base d'huile, de substances antimites, de poussières inflammables ou de toute autre vapeur explosive ou toxique.

- ◆ Vérifiez le type de sol avec le fabricant.
- ◆ N'utilisez pas l'appareil sur le cuir, les meubles et planchers polis à la cire, les fibres synthétiques, le velours ou d'autres matières délicates, les matériaux sensibles à la vapeur.



- ⚠ Avertissement !** N'utilisez pas l'appareil sur du parquet non vitrifié ou du parquet stratifié non vitrifiés. Sur les surfaces traitées avec de la cire ou sur certains sols non cirés, la chaleur et les vapeurs peuvent faire disparaître la brillance. Il est toujours recommandé de faire un test sur une zone isolée de la surface à nettoyer avant de commencer. Nous vous recommandons également de vérifier les consignes d'utilisation et d'entretien du fabricant de votre sol.
- ◆ N'ajoutez jamais de produits détartrants, aromatiques, à base d'alcool ou de détergents dans le nettoyeur à vapeur, car cela pourrait l'endommager ou rendre son utilisation dangereuse.
  - ◆ Si le disjoncteur se déclenche pendant l'utilisation du balai à vapeur, cessez immédiatement toute utilisation et contactez le centre d'assistance à la clientèle. (Soyez prudent face au risque de décharge électrique).



- ◆ L'appareil diffuse de la vapeur extrêmement chaude pour nettoyer la zone d'utilisation.

Cela signifie que la tête qui diffuse la vapeur, les lavettes et les accessoires deviennent très chauds pendant l'utilisation.

**Attention !** Portez toujours des chaussures adaptées pour utiliser le balai à vapeur ainsi que pour changer les accessoires. Veillez à ne pas être en chaussons ou en de pieds-nus.

- ◆ Le couvercle peut devenir chaud pendant l'utilisation.
- ◆ La surface de l'embout peut devenir très chaude pendant l'utilisation
- ◆ La vapeur peut s'échapper de l'appareil pendant l'utilisation. Veillez à prendre toutes les précautions nécessaires lorsque vous utilisez l'appareil. **NE TOUCHEZ AUCUNE PIÈCE** qui pourrait devenir chaude.
- ◆ Si la vapeur s'échappe du corps du nettoyeur vapeur, éteignez l'appareil et débranchez-le du secteur. Laissez-le refroidir. Contactez le réparateur agréé le plus proche de chez vous.
- ◆ Si la vapeur s'échappe de la soupape de décharge (21), éteignez et débranchez l'appareil du secteur, attendez une heure que l'appareil refroidisse avant de dévisser. Contrôlez l'état du joint sur la soupape de décharge. Si le joint est en bon état, revissez complètement en place. Si la vapeur continue à s'échapper du capuchon, contactez le centre d'assistance le plus proche.

## CESSEZ D'UTILISER L'APPAREIL.

### Après l'utilisation

- ◆ Débranchez l'appareil et laissez-le refroidir avant de le nettoyer.
- ◆ Quand il n'est pas utilisé, l'appareil doit être rangé dans un endroit sec.
- ◆ Les enfants ne doivent jamais avoir accès aux appareils une fois qu'ils sont rangés.
- ◆ Une fois l'appareil éteint, il reste de la vapeur sous pression dans le tuyau. Laissez refroidir l'appareil avant d'enfoncer la gâchette

### Inspections et réparations

- ◆ Avant toutes opérations d'entretien ou réparations, débranchez l'appareil et laissez-le refroidir.
- ◆ Débranchez l'appareil, laissez-le refroidir et contrôlez qu'il n'y a plus de vapeur qui sort en actionnant la gâchette sur la poignée (11) avant de dévisser la soupape de décharge (21). Il est impossible de dévisser la soupape de décharge avant que l'appareil n'ait refroidi et qu'il n'y ait plus de vapeur. Revissez complètement à fond après la maintenance.
- ◆ Avant utilisation, contrôlez l'absence de dommage sur l'appareil ou ses pièces. Contrôlez l'absence de pièces cassées, d'interrupteurs endommagés et de toutes autres anomalies susceptibles de nuire au bon fonctionnement de l'appareil.
- ◆ Vérifiez régulièrement l'état du fil électrique.

- ◆ N'utilisez pas l'appareil si l'une de ses pièces est endommagée ou défectueuse.
- ◆ Faites réparer ou remplacer les pièces défectueuses ou endommagées par un réparateur agréé.
- ◆ Ne tentez jamais de retirer ou de remplacer des pièces autres que celles indiquées dans cette notice.

## Risques résiduels

Certains risques résiduels autres que ceux mentionnés dans les avertissements sur la sécurité peuvent survenir en utilisant l'outil. Ces risques peuvent survenir si la machine est mal utilisée, en cas d'utilisation prolongée, etc. Malgré le respect des normes de sécurité pertinentes et la présence de dispositifs de sécurité, les risques résiduels suivants ne peuvent être évités. Ils comprennent :

- ◆ Les blessures dues au contact avec des pièces mobiles.
- ◆ Les blessures dues au contact avec des pièces brûlantes.
- ◆ Les blessures dues au changement de pièces ou d'accessoires.
- ◆ Les blessures dues à l'utilisation prolongée de l'appareil. Lorsque vous utilisez un appareil quel qu'il soit pendant de longues périodes, veillez à faire des pauses régulières.

## Sécurité électrique



**Avertissement !** Cet appareil doit être relié à la terre.

Assurez-vous toujours que l'alimentation électrique correspond à la tension mentionnée sur la plaque signalétique.

La fiche d'alimentation doit correspondre à la prise de courant.

Ne modifiez jamais la prise d'aucune sorte.

L'utilisation de prises d'origine et de prises murales appropriées permet de réduire le risque de décharge électrique.

- ◆ Si le câble d'alimentation est endommagé, il doit être remplacé par le fabricant ou par un centre d'assistance BLACK+DECKER agréé afin d'éviter tout accident.

## Rallonges et produit de Classe 1

- ◆ Un câble tripolaire doit être utilisé quand l'appareil est relié à la terre et de Classe 1.
- ◆ N'utilisez qu'une rallonge homologuée parfaitement adaptée à la puissance absorbée de cet appareil (voir les caractéristiques techniques). Une rallonge de 30m de section 1,50mm<sup>2</sup> peut être utilisée sans perte de puissance. Avant l'utilisation, vérifiez la rallonge et assurez-vous qu'elle ne présente aucun signe de dommage, d'usure ou de vieillissement. Remplacez la rallonge si elle est endommagée ou défectueuse. Si vous utilisez un enrouleur de câble, déroulez toujours le câble complètement.

## Étiquettes apposées sur l'appareil

Les pictogrammes suivants ainsi que le code date sont apposés sur l'outil.



**ATTENTION !** Vapeur brûlante



Lavez à 60°C. N'utilisez ni eau de javel, ni adoucissant



**ATTENTION !** Surface chaude

## Caractéristiques

Cet appareil présente tout ou partie des caractéristiques suivantes.

1. Interrupteur Marche/Arrêt
- 1a. Voyant rouge - Voyant d'avertissement Manque d'eau
- 1b. Voyant vert - Voyant Vapeur OK
- 1c. Voyant blanc - Voyant d'alimentation
2. Corps de l'appareil
3. Réservoir d'eau
4. Espace de rangement pour les accessoires
- 5a. Tube-rallonge A
- 5b. Tube-rallonge B
6. Tête pour sols avec crochet de rangement
7. Plaque pour décoller le papier peint (avec le modèle BHSMP2314 uniquement)
8. Concentrateur de vapeur
9. Embout à main (2 sont fournis avec le modèle BHSMP2314)
10. Embout coudé
11. Poignée d'activation de la vapeur
- 11a. Curseur de déblocage
- 11b. Gâchette de la poignée vapeur
12. Raclette
13. Bonnet pour l'embout à main (2 sont fournis avec le modèle BHSMP2314)
14. Serpillière pour le sol (2 sont fournies avec le modèle BHSMP2314)
15. Brosse ronde (2 sont fournies avec le modèle BHSMP2314)
16. Brosse en cuivre (avec le modèle BHSMP2314 uniquement)
17. Tuyau flexible
18. Attaches pour l'embout à main
19. Patère de la raclette
20. Crochets arrière de la raclette
21. Soupape de décharge

## Assemblage



**Avertissement !** Avant d'exécuter ce qui suit, assurez-vous que l'appareil est éteint, débranché, qu'il est froid et qu'il ne contient pas d'eau.

### Installer le tube-rallonge sur la tête pour le nettoyage des sols (Fig. A)

- ◆ Enfoncez le tube-rallonge B (5b) dans la tête pour les sols (6), en veillant à ce qu'elle s'enclenche bien en place, comme illustré par la figure A.

### Installer le tuyau à main sur le tube-rallonge (Fig. A)

- ◆ Enfoncez fermement la poignée d'activation de la vapeur (11) sur le tube-rallonge A (5a) en vous assurant qu'elle s'enclenche bien en place.
- ◆ Raccordez le tube-rallonge A (5a) au tube-rallonge B (5b)

**Avertissement !** Contrôlez le joint entre le point de

raccordement de la poignée (11) et les tubes-rallonges (5a et 5b) avant chaque utilisation. Si le joint dysfonctionne ou s'il est endommagé, contactez votre réparateur agréé le plus proche. N'utilisez plus l'appareil.

### Installer une lavette (Fig. B)

Des lavettes de rechange sont disponibles auprès de votre revendeur BLACK+DECKER : (n° d'article FSMP20-XJ).

- ◆ Placez une serpillière (14) sur le sol, côté Velcro vers le haut.
  - ◆ Appuyez doucement le nettoyeur vapeur sur la serpillière.
- Attention !** Ne laissez jamais le balai à vapeur trop longtemps au même endroit. Placez toujours le balai à vapeur à la verticale quand il est à l'arrêt et assurez-vous que le balai à vapeur est éteint lorsqu'il n'est pas utilisé.

### Retirer la serpillière

**Attention !** Veillez à toujours porter des chaussures adaptées pour changer la serpillière du balai à vapeur.

Veillez à ne pas être en chaussons ou en de pieds-nus.

- ◆ Remplacez le balai à vapeur à la verticale et éteignez-le.
- ◆ Attendez que le nettoyeur vapeur ait refroidi (environ 5 minutes).
- ◆ Soulevez le nettoyeur vapeur de la serpillière (14) en le dégageant du velcro et en appuyant sur la patte prévue pour retirer la serpillière (14a).

### Installer/retirer le réservoir d'eau (Fig. C, D)

**Remarque !** Remplissez le réservoir (3) d'eau du robinet propre (n'utilisez aucun additif ou produit chimique).

**Remarque !** L'utilisation d'eau déminéralisée est recommandée, dans les régions où l'eau est dure.

- ◆ Glissez le réservoir d'eau (3) vers le haut et hors du corps du nettoyeur vapeur (2).

- ◆ Le réservoir peut être rempli à l'eau du robinet.
- ◆ Soulevez le couvercle (3a) pour remplir.

**Avertissement !** Pour remplir, maintenez le réservoir d'eau (3) à la verticale avec le couvercle (3a) en haut.

**Avertissement !** La capacité du réservoir d'eau est de 1,2 litre. Ne remplissez pas trop le réservoir.

- ◆ Fermez le couvercle (3a).

**Remarque !** Assurez-vous que le couvercle est correctement fixé en place.

## Installer le réservoir à eau

- ◆ Glissez le réservoir d'eau (3) vers le bas à l'aide des nervures pour le positionner dans le corps de l'appareil (2). Veillez à ce que le réservoir d'eau soit correctement installé pour garantir l'étanchéité.

## Mise en marche et extinction (Fig. E)

- ◆ Pour mettre l'appareil en marche, appuyez sur l'interrupteur Marche/Arrêt (1). Le voyant blanc (1c) s'allume quand l'appareil est sous tension et que la chaudière chauffe. Le voyant vert (1b) s'allume lorsque la chaudière est à température. L'utilisateur doit enfoncer la gâchette sur la poignée (11b) pour faire de la vapeur.
- ◆ Pour éteindre l'appareil, appuyez sur l'interrupteur Marche/Arrêt (1).

**Attention !** Ne laissez jamais le balai à vapeur trop longtemps au même endroit.

Placez toujours le balai à vapeur à la verticale quand il est à l'arrêt et assurez-vous que le balai à vapeur est éteint lorsqu'il n'est pas utilisé.

**Attention !** Videz toujours le réservoir d'eau après l'utilisation.

**Remarque !** Au premier remplissage ou si l'appareil a fonctionné à vide, la production de vapeur peut prendre jusqu'à 180 secondes

Surface sol/plan de travail	Réglage
Bois/Stratifié	Réglage mini/bas de la vapeur
Carrelage/Vinyle	Réglage moyen de la vapeur
Pierre/Marbre	Réglage maxi/élevé de la vapeur
Accessoires	Réglage
Brosse pour les joints	Réglage maxi/élevé de la vapeur
Petite brosse	Réglage maxi/élevé de la vapeur
Petite brosse en fibres de cuivre	Réglage maxi/élevé de la vapeur
Raclette pour les fenêtres/vêtements	Réglage mini/bas de la vapeur
Accessoire pour le papier peint	Réglage maxi/élevé de la vapeur

**Remarque !** Contrôlez toujours que le réglage est correct avant d'utiliser votre balai vapeur.

## Interface utilisateur pour la vapeur

Ce nettoyeur vapeur est équipé d'un panneau d'interface utilisateur doté de 3 voyants (1a, 1b et 1c). Ils permettent de sélectionner le mode de fonctionnement approprié pour l'intervention à réaliser.

- ◆ Mettez l'appareil en marche en appuyant sur l'interrupteur Marche/Arrêt (1).
- ◆ Le voyant blanc (1c) est allumé quand l'appareil est sous tension et que la chaudière chauffe.
- ◆ Le voyant vert (1b) est allumé quand l'appareil à température et prêt à l'emploi.
- ◆ L'utilisateur doit glisser le bouton de déverrouillage (11a) sur la poignée d'activation de la vapeur (11) sur la position déverrouillée.
- ◆ Enfoncez la gâchette (11b) sur la poignée (11) pour faire de la vapeur.
- ◆ Veillez à toujours régler le bouton de déverrouillage (11a) sur la poignée d'activation de la vapeur (11) sur la position verrouillée.
- ◆ Le voyant de gauche (1a) est allumé quand le réservoir d'eau (3) est vide. Sortez le réservoir (3) et remplissez-le d'eau.
- ◆ Pour éteindre l'appareil, appuyez sur l'interrupteur Marche/Arrêt (1).

**Remarque !** Contrôlez toujours que le réglage est correct avant d'utiliser votre nettoyeur vapeur.

## Installer les accessoires sur la poignée d'activation de la vapeur

**Avertissement !** Contrôlez le joint entre le point de raccordement de la poignée et les accessoires avant chaque utilisation. Si le joint dysfonctionne ou s'il est endommagé, contactez votre réparateur agréé le plus proche. N'utilisez plus l'appareil.

**Avertissement !** L'appareil doit être éteint avant d'y installer les accessoires.

## Installer les grands accessoires (Fig. F)

- ◆ Les accessoires 7, 8 et 9 peuvent être installés directement sur la poignée d'activation de la vapeur.
- ◆ Centrez l'accessoire et poussez-le fermement dans la poignée d'activation de la vapeur.
- ◆ Veillez à ce que le système d'attache soit bien verrouillé en place pour pouvoir créer de la vapeur

**Important !** Tous les accessoires doivent être raccordés à la poignée d'activation de la vapeur (11) pour être utilisés.

## Retirer un grand accessoire

- ◆ Appuyez sur l'attache et tirez l'accessoire hors de la poignée d'activation de la vapeur (11).

**Avertissement !** Laissez l'appareil et tous les accessoires refroidir avant de les retirer.

## Installer les petites brosses

- ◆ Installer le concentrateur de vapeur (8) sur l'appareil
- ◆ Les petits accessoires 10, 15, 16 peuvent être enfoncés sur le concentrateur de vapeur (8) directement.
- ◆ Veillez à ce que le petit accessoire soit correctement enfoncé en place pour garantir l'étanchéité.

## Retirer un petit accessoire 10, 15, 16

- ◆ Tirez l'accessoire hors du concentrateur de vapeur (8).

**Avvertissement !** Laissez l'appareil et tous les accessoires refroidir avant de les retirer.

## Installer la raclette sur l'embout à main 12, 9 (Fig. I, J, K, L)

- ◆ Installez les crochets arrière de la raclette (20) dans les attaches de l'embout à main (18), comme illustré par la figure K.
- ◆ Poussez l'embout à main vers le bas jusqu'à ce que le corps soit verrouillé par la patère de la raclette (19), comme illustré par la figure L.

## Retirer la raclette de l'embout à main

- ◆ Poussez la patère de la raclette (19) vers l'avant pour libérer l'embout à main.
- ◆ Tournez l'embout à main et déclipsez les attaches (18) des crochets arrière de la raclette (20) et séparez les deux éléments.

## Conseils pour une utilisation optimale

### Généralités

**Attention :** N'utilisez jamais le nettoyeur vapeur sans y avoir d'abord installé une serpillière.

- ◆ Aspirez ou balayez toujours le sol avant d'utiliser le nettoyeur vapeur.
- ◆ Le moyen le plus facile d'utiliser la tête pour les sols est d'incliner le tube de la tête incliner à 45° et de nettoyer lentement en couvrant de petites zones à la fois.
- ◆ N'utilisez que de l'eau dans votre nettoyeur vapeur, sans aucun additif ou produit chimique. Pour éliminer les taches tenaces sur le vinyle ou le lino, vous pouvez prétraiter avec un mélange de détergent doux et d'eau, avant d'utiliser le balai à vapeur.

## Nettoyer à la vapeur avec la serpillière

- ◆ Installez la poignée d'activation de la vapeur sur le tube-rallonge pour les sols.
- ◆ Placez une serpillière (14) sur le sol, côté Velcro vers le haut.
- ◆ Appuyez légèrement le balai à vapeur sur la serpillière (14).
- ◆ Branchez le nettoyeur vapeur.
- ◆ Appuyez sur le bouton Marche/Arrêt (1). La chaudière a besoin de 180 secondes environ pour chauffer.

- ◆ Quand la chaudière est à température, réglez le débit de vapeur correctement et enfoncez la gâchette (11b) pour lancer la vapeur.
- ◆ La vapeur a besoin de quelques secondes pour atteindre la serpillière. Le nettoyeur vapeur glisse ensuite facilement sur la surface à nettoyer.
- ◆ Déplacez lentement le nettoyeur vapeur d'avant en arrière sur la surface pour parfaitement nettoyer chaque zone à la vapeur.
- ◆ Une fois terminé, relâchez la gâchette pour arrêter la vapeur, relevez l'appareil à la verticale en veillant à ce qu'il soit soutenu et éteignez-le. Attendez que le nettoyeur vapeur refroidisse (environ 10 min).

**Attention !** Il est important de surveiller le niveau d'eau dans le réservoir. Le voyant rouge s'allume lorsque le réservoir est vide. Pour faire le plein d'eau et continuer à nettoyer, placez le nettoyeur à la verticale en vous assurant qu'il est soutenu et éteignez-le.

**Attention !** Ne laissez jamais le balai à vapeur trop longtemps au même endroit. Placez toujours le balai à vapeur à la verticale quand il est à l'arrêt et assurez-vous que le balai à vapeur est éteint lorsqu'il n'est pas utilisé.

## Après l'utilisation

- ◆ Attendez que le balai à vapeur ait refroidi.
- ◆ Débranchez le balai à vapeur de la prise de courant murale.
- ◆ Videz le réservoir d'eau.
- ◆ Retirez la serpillière (14) et lavez-la pour qu'elle soit prête pour la prochaine utilisation (prenez soin de respecter les consignes de lavage imprimées sur les serpillières).

## Accessoires

Les performances de votre appareil dépendent des accessoires utilisés. Les accessoires BLACK+DECKER sont élaborés dans le respect de normes de qualité très élevées et ils sont conçus pour améliorer les performances de votre appareil. L'utilisation de ces accessoires vous permet de tirer le meilleur de votre équipement.

## Nettoyer les vêtements à la vapeur (Fig. G)

- ◆ Installez l'embout à main (9) sur la poignée d'activation de la vapeur (11).
- ◆ Installez le bonnet pour l'embout à main (13) sur l'embout à main (9).

**Remarque !** L'embout à main (9) ne doit pas être utilisé sans le bonnet (13).

- ◆ Branchez le nettoyeur vapeur.
- ◆ Appuyez sur le bouton Marche/Arrêt (1). Le voyant vert s'allume une fois la chaudière à température.

**Remarque !** Au premier remplissage ou après avoir fonctionné à vide, la production de vapeur peut prendre jusqu'à 180 secondes.

- ◆ Une fois la chaudière à la bonne température, appuyez sur le bouton de réglage du niveau de vapeur voulu pour lancer la vapeur.
- ◆ Une fois terminé, appuyez sur le bouton d'activation de la vapeur pour arrêter la vapeur, relevez l'appareil à la verticale en veillant à ce qu'il soit soutenu et éteignez-le. Attendez que le balai à vapeur refroidisse (environ 5 min).

### Utiliser l'accessoire pour décoller le papier peint

- ◆ Vérifiez l'état du plâtre avant de commencer à travailler. Une température trop élevée de la vapeur peut endommager le plâtre s'il est poreux, en mauvais état ou peu étanche. Le plâtre peut aussi se détacher plus facilement dans les zones fissurées, trouées ou si la plaque à vapeur est orientée trop longtemps au même endroit.
- ◆ Pour détecter si le plâtre est en mauvais état, tapez avec votre doigt dans plusieurs endroits sur les murs. Si le son est creux, procédez avec beaucoup de précaution.
- ◆ Dans tous les cas, effectuez un essai avec l'accessoire sur une petite zone, environ 100 cm<sup>2</sup>, avant de commencer à décoller.
- ◆ Si pendant le travail, vous voyez le plâtre se décoller ou vous entendez un bruit, arrêtez-vous immédiatement. La décolleuse convient parfaitement pour les surfaces de cloisons sèches et les plaques de plâtre.
- ◆ En raison de la chaleur dégagée, il est possible que sur certaines surfaces, comme les tapis, les textiles d'ameublement, les dessus de table, les petits meubles, etc. des traces ou des dommages apparaissent. Pour l'éviter, placez une plaque en bois ou un autre isolant sous la chaudière afin que la chaleur n'endommage pas la surface. Les chiffons ou les journaux ne sont pas appropriés.
- ◆ Pour un meilleur résultat, utilisez un grattoir pour décoller le papier peint. Décollez le papier peint de haut en bas.
- ◆ Portez toujours des équipements de protection pour décoller le papier peint du plafond. Prenez garde à la condensation accumulée dans la plaque à vapeur. De l'eau bouillante peut couler. Videz régulièrement la plaque à vapeur et ne l'utilisez jamais directement au-dessus de votre tête.
- ◆ Placez toujours la plaque à vapeur dans un récipient quand vous la laissez sans surveillance, même quelques secondes, et éloignez la plaque de vous quand vous l'utilisez.

### Rangement des accessoires (Fig. H)

Les petits accessoires se rangent avec la tête pour les sols à l'arrière de l'appareil.

La tête pour les sols et les tubes peuvent être placés dans l'espace de rangement pour les accessoires (4).

Repérez le crochet à l'arrière de la tête pour les sols (6) et glissez-le dans la fente située sur l'espace de rangement, illustré par la Fig. H. Poussez fermement vers le bas et veillez à ce que la tête pour les sols et les tubes soient bien stables avant de les relâcher

### Protection de l'environnement



Tri sélectif. Les produits et les piles/batteries marqués de ce symbole ne doivent pas être jetés avec les déchets ménagers.

Les produits et les piles/batteries contiennent des matières qui peuvent être récupérées et recyclées afin de réduire la demande en matières premières. Veillez à recycler les produits électriques et les piles/batteries conformément aux prescriptions locales en vigueur. Pour obtenir plus de précisions, consultez le site [www.2helpU.com](http://www.2helpU.com)

### Caractéristiques techniques

		BHSMP2008 Type 1	BHSMP2314 Type 1
Tension	V <sub>ca</sub>	230	230
Puissance	A	2000	2300
Capacité du réservoir	ml	1200	1200
Poids	kg	5,9	6,1

### Dépannage

Si votre appareil semble ne pas fonctionner correctement, suivez les instructions ci-dessous. Si le problème persiste, veuillez contacter votre réparateur local BLACK+DECKER. Les coordonnées de votre réparateur BLACK+DECKER le plus proche se trouvent sur [www.2helpU.com](http://www.2helpU.com)

Problème	Étape	Solution possible
Le balai à vapeur ne s'allume pas	1.	Contrôlez que l'appareil est correctement branché dans une prise
	2.	Vérifiez que l'appareil a bien été allumé à l'aide de l'interrupteur Marche/Arrêt (1)
	3.	Contrôlez le fusible de la prise
Le nettoyeur vapeur ne diffuse pas de vapeur	4.	Le nettoyeur vapeur ne diffuse de la vapeur qu'une fois allumé. Le voyant blanc s'allume lorsque l'appareil est sous tension. Le voyant vert s'allume lorsque la chaudière est à température et que la gâchette a été enfoncée
	5.	Vérifiez que le réservoir d'eau est plein. Le voyant rouge s'allume lorsque le réservoir est vide. Remarque : Au premier remplissage ou après un fonctionnement à vide, l'appareil a besoin de temps pour chauffer, le voyant vert s'allume lorsque la chaudière est à température.
	6.	Vérifiez l'étape 1, puis 2, puis 3, puis 4
Le balai à vapeur cesse de produire de la vapeur pendant l'utilisation	7.	Vérifiez l'étape 4, puis 5, puis 3

Problème	Étape	Solution possible
Le balai à vapeur produit trop de vapeur pendant l'utilisation	8.	L'appareil propose plusieurs niveau de réglage pour la vapeur. Réglez le débit de vapeur au plus bas en tournant la molette sur la poignée d'activation de la vapeur.
Le balai à vapeur produit trop peu de vapeur pendant l'utilisation	9.	L'appareil propose plusieurs niveau de réglage pour la vapeur. Réglez le débit de vapeur plus haut en tournant la molette sur la poignée d'activation de la vapeur.
Où puis-je obtenir plus d'informations/d'accessoires	10.	<a href="http://www.blackanddecker.co.uk">http://www.blackanddecker.co.uk</a> <a href="http://www.blackanddecker.ie">http://www.blackanddecker.ie</a>

## Maintenance

Votre outil BLACK+DECKER a été conçu pour fonctionner longtemps avec un minimum d'entretien. Le fonctionnement continu et satisfaisant de l'outil dépend de son bon entretien et de son nettoyage régulier.



Avertissement ! Avant de réaliser toute opération de maintenance sur l'outil.

- ◆ Nettoyez régulièrement l'appareil à l'aide d'un chiffon doux humide.
- ◆ Pour les taches résistantes, vous pouvez utiliser un mélange d'eau et de savon imbibé sur un chiffon.

## Garantie

Black & Decker est sûr de la qualité de ses produits et offre une garantie de 24 mois à ses clients, à partir de la date d'achat. Cette garantie s'ajoute à vos droits légaux auxquels elle ne porte aucunement préjudice. Cette garantie est valable au sein des territoires du Royaume-Uni, des états membres de l'Union européenne et de la zone européenne de libre-échange.

Pour prétendre à la garantie, la réclamation doit être conforme aux conditions générales de Black & Decker et vous devez fournir une preuve d'achat au vendeur ou au réparateur agréé. Les conditions générales de la garantie Black&Decker de 2 ans ainsi que l'adresse du réparateur agréé le plus proche sont disponibles sur le site Internet [www.2helpU.com](http://www.2helpU.com) ou en contactant votre agence Black & Decker locale à l'adresse indiquée dans la présente notice.

Visitez notre site Internet [www.blackanddecker.co.uk](http://www.blackanddecker.co.uk) pour enregistrer votre nouveau produit Black & Decker et recevoir des informations sur nos nouveaux produits et nos offres spéciales.

## Uso previsto

Le Lavapavimenti a vapore a traino BHSMP2008 e BHSMP2314 BLACK+DECKER sono state concepite per la pulizia di pavimenti in legno massello impermeabilizzato, laminato impermeabilizzato, linoleum, vinile e piastrelle in ceramica, pietra e marmo.

## Istruzioni di sicurezza



**Avvertenza! Leggere attentamente tutte le avvertenze di sicurezza e le istruzioni.** La mancata osservanza delle avvertenze e delle istruzioni seguenti può dar luogo a scosse elettriche, incendi e/o lesioni personali gravi.



**Avvertenza!** Quando si utilizzano apparecchi alimentati tramite una rete elettrica, osservare sempre le normali precauzioni di sicurezza per ridurre il rischio di incendio, scosse elettriche, lesioni personali e danni materiali.

- ◆ L'uso previsto è descritto in questo manuale.
- ◆ Se questo apparecchio viene utilizzato con accessori o dotazioni o per impieghi diversi da quelli consigliati in questo manuale vi è il rischio che si verifichino lesioni alle persone.
- ◆ Conservare questo manuale per riferimenti futuri.



- ◆ Questo apparecchio può essere usato da persone di qualsiasi età con capacità fisiche, sensoriali o mentali ridotte o che non abbiano la dovuta esperienza o conoscenza, sempre che siano sorvegliate od opportunamente istruite sul suo utilizzo in sicurezza e comprendano i pericoli inerenti. Non lasciare giocare i bambini con l'apparecchio.
- ◆ I bambini devono essere sorvegliati per assicurarsi che non giochino con l'apparecchio.
- ◆ La spina deve essere estratta dalla presa elettrica prima di pulire o eseguire la manutenzione dell'apparecchio.
- ◆ Il getto d'acqua o di vapore non deve mai essere orientato verso apparecchiature contenenti componenti elettrici, come l'interno di forni.
- ◆ Prestare attenzione durante l'uso dell'apparecchio per via dell'emissione di vapore.
- ◆ Tenere l'apparecchio e il cavo di alimentazione lontani dalla portata dei bambini di età inferiore agli 8 anni quando è in tensione o mentre si sta raffreddando.
- ◆ In caso di danneggiamento del cavo di alimentazione, farlo riparare dal fabbricante o da un agente di servizio o altro personale qualificato in modo da evitare eventuali pericoli.
- ◆ L'apparecchio non deve essere lasciato incustodito quando è collegato alla rete di alimentazione elettrica.

- ◆ Non usare l'apparecchio se ha subito una caduta, se presenta segni visibili di danneggiamento o se perde.
- ◆ Tenere l'apparecchio lontano dalla portata dei bambini quando è in tensione o mentre si sta raffreddando.
- ◆ La bocca di riempimento non deve essere aperta durante l'uso.

## Uso dell'apparecchio

- ◆ Non aprire la valvola di sicurezza quando l'apparecchio è in funzione.
- ◆ Non puntare il getto di vapore verso persone, animali, apparecchiature elettriche o prese di corrente.
- ◆ Non esporre alla pioggia.
- ◆ Non immergere l'apparecchio in acqua.
- ◆ Non lasciare l'apparecchio incustodito.
- ◆ Non lasciare l'apparecchio collegato a una presa di corrente quando non viene usato.
- ◆ Non scollegare mai l'apparecchio dalla presa di corrente tirando il cavo di alimentazione.
- ◆ Tenere il cavo di alimentazione dell'apparecchio lontano da calore, olio e bordi taglienti.
- ◆ Non maneggiare l'apparecchio con le mani bagnate.
- ◆ Non tirarlo o trasportarlo dal cavo di alimentazione, non usare il cavo come manico, non incastrare il cavo di alimentazione tra una porta, non tirarlo attorno a spigoli aguzzi e non appoggiarlo su superfici riscaldate.



- ◆ Non usare l'apparecchio in ambienti chiusi pieni di vapori esalati da solventi per vernici a olio, sostanze antitarre, polveri infiammabili o altri vapori esplosivi o tossici.
- ◆ Verificare il tipo di pavimentazione rivolgendosi al fabbricante.
- ◆ Non usare su pellame, mobili o pavimenti lucidati a cera, tessuti sintetici, velluto o altri materiali delicati sensibili al vapore.



**Avvertenza!** Non usare su pavimenti in legno o in laminato non impermeabilizzati. Sulle superfici trattate con cera o su alcuni pavimenti senza cera, l'azione del calore e del vapore potrebbero eliminare la lucentezza. Si consiglia sempre di fare una prova su un'area isolata della superficie da pulire prima di procedere. Consigliamo anche di leggere le istruzioni d'uso e manutenzione fornite dal fabbricante della pavimentazione.

- ◆ Non versare mai prodotti anticalcare, aromatici, alcolici o detergenti all'interno del pulitore a vapore per non danneggiarlo o renderne poco sicuro l'impiego.
- ◆ Se l'interruttore differenziale dell'impianto elettrico domestico scatta mentre si usa la funzione vapore, interrompere immediatamente l'uso del prodotto e rivolgersi al centro di assistenza clienti.

(Prestare attenzione al rischio di scosse elettriche.)

- ◆ L'apparecchio espelle vapore molto caldo per pulire l'area in cui viene usato. Questo significa che la testa di erogazione del vapore, i panni per la pulizia e gli accessori diventano molto caldi durante l'uso.

**Attenzione!** Indossare sempre scarpe idonee durante l'impiego della lavapavimenti a vapore e quando se ne sostituiscono gli accessori. Non indossare pantofole o sandali aperti.

- ◆ Il coperchio potrebbe riscaldarsi molto durante l'impiego.
- ◆ La superficie esterna della bocchetta potrebbe diventare rovente durante l'uso.
- ◆ Il vapore potrebbe fuoriuscire dall'apparecchio durante l'uso. Prestare attenzione quando si usa questo apparecchio. **NON** toccare nessuna parte che potrebbe diventare molto calda durante l'uso.
- ◆ Se si nota una fuoriuscita di vapore dal corpo macchina, spegnere l'apparecchio, scollegarlo dalla rete di alimentazione e attendere che si raffreddi. Rivolgersi al centro di assistenza autorizzato più vicino.
- ◆ Se si dovesse notare la fuoriuscita di vapore dalla valvola di sicurezza (21), spegnere l'apparecchio, scollegarlo dalla rete elettrica, attendere un'ora che si raffreddi e svitare la valvola di sicurezza. Controllare le condizioni della guarnizione della valvola di sicurezza.

Se la guarnizione è in buone condizioni, riavvitare completamente la valvola di sicurezza, fino ad ottenere una tenuta perfetta. Se il vapore continua a fuoriuscire dal coperchio, rivolgersi al centro di assistenza autorizzato più vicino.

### **NON CONTINUARE A USARE L'APPARECCHIO.**

#### **Dopo l'uso**

- ◆ Scollegare l'apparecchio dalla presa di corrente e lasciare che si raffreddi prima di pulirlo.
- ◆ Quando non viene usato, l'apparecchio deve essere conservato in un luogo asciutto.
- ◆ Non riporre l'apparecchio in un luogo accessibile a bambini.
- ◆ Una volta spento l'apparecchio, il vapore residuo rimane in pressione all'interno del tubo flessibile. Attendere che l'apparecchio si raffreddi prima di premere il grilletto.

#### **Ispezione e riparazioni**

- ◆ Prima di eseguire interventi di manutenzione o riparazione dell'apparecchio, scollegarlo dalla presa di corrente e attendere che si sia raffreddato.
- ◆ Scollegare l'apparecchio dalla presa di corrente, lasciarlo raffreddare e controllare che non fuoriesca vapore premendo il grilletto della pistola di erogazione del vapore (11) prima di svitare la valvola di sicurezza (21).

Non svitare mai la valvola di sicurezza fino a quando l'apparecchio non si è raffreddato e il vapore non cessa di uscire. Dopo la manutenzione, riavvitare completamente e a fondo la valvola di sicurezza in modo da ottenere una tenuta perfetta.

- ◆ Prima dell'uso accertarsi che l'apparecchio non presenti parti danneggiate o difettose. Verificare inoltre che non vi siano componenti rotti o interruttori danneggiati e che non sussistano altre condizioni che potrebbero incidere sul suo funzionamento.
- ◆ Controllare a intervalli regolari che il cavo di alimentazione non sia danneggiato.
- ◆ Non usare l'apparecchio se alcune parti sono danneggiate o difettose.
- ◆ Fare riparare o sostituire le parti danneggiate o difettose da un tecnico autorizzato.
- ◆ Non tentare di smontare o sostituire alcuna parte, ad eccezione di quelle specificate in questo manuale.

#### **Rischi residui**

L'uso dell'apparecchio potrebbe comportare rischi residui non necessariamente riportati nelle avvertenze di sicurezza allegate. Tali rischi possono sorgere a seguito di un uso prolungato, improprio, ecc. Malgrado l'osservanza delle norme di sicurezza e l'impiego dei dispositivi di sicurezza pertinenti, determinati rischi residui non possono essere evitati.

Tali rischi includono:

- ◆ lesioni personali causate dal contatto con parti in movimento;
- ◆ lesioni personali causate dal contatto con parti roventi;
- ◆ lesioni personali subite durante la sostituzione di componenti o accessori;
- ◆ lesioni personali causate dall'impiego prolungato dell'apparecchio (quando si usa l'apparecchio per lunghi periodi, accertarsi di fare regolarmente delle pause);

## Sicurezza elettrica



**Avvertenza!** Questo prodotto deve essere collegato a terra. Verificare sempre che la tensione della rete di alimentazione corrisponda a quella riportata sulla targhetta dei valori nominali.

La spina elettrica deve essere adatta alle prese di corrente.

Non modificare una spina in alcun modo. Per ridurre il rischio di scosse elettriche evitare di modificare le spine e collegarsi sempre a prese di corrente appropriate.

- ◆ Per prevenire pericoli, se il cavo di alimentazione è danneggiato è necessario farlo riparare dal fabbricante o presso un Centro di assistenza BLACK+DECKER autorizzato.

## Cavi di prolunga e prodotto di Classe 1

- ◆ Poiché questo prodotto è un apparecchio di Classe 1 dotato di messa a terra, usare un cavo a 3 conduttori.
- ◆ Usare sempre un cavo di prolunga di tipo omologato, idoneo all'assorbimento di corrente di questo apparecchio (vedere i dati tecnici). È possibile usare un cavo di prolunga lungo fino a 30 m con diametro dei fili di 1,50 mm<sup>2</sup> senza alcuna perdita delle prestazioni del prodotto. Prima dell'uso, ispezionare il cavo di prolunga per accertarsi che non presenti segni di danneggiamento, usura o invecchiamento. Sostituire il cavo di prolunga se è danneggiato o difettoso. Se si utilizza un avvolgitore, estrarre sempre il cavo per l'intera lunghezza.

## Etichette sull'apparecchio

Sull'apparecchio sono presenti i seguenti simboli, assieme al codice data.



**ATTENZIONE!** Vapore bollente



Lavare a 60 °C. Non utilizzare candeggina o ammorbidente



**ATTENZIONE!** Superficie rovente

## Caratteristiche

Questo apparecchio presenta alcune o tutte le seguenti caratteristiche.

1. Interruttore di accensione/spengimento
- 1a. Spia rossa - Serbatoio vuoto

- 1b. Spia verde - Vapore pronto
- 1c. Spia bianca - Apparecchio acceso
2. Corpo macchina
3. Serbatoio dell'acqua
4. Vano porta-accessori
- 5a. Asta di prolunga A
- 5b. Asta di prolunga B
6. Spazzola per pavimenti con gancio di stoccaggio
7. Scollatore carta da parati (in dotazione solo con il modello BHSMP2314)
8. Concentratore di vapore
9. Bocchetta manuale (2 pz. in dotazione con il modello BHSMP2314)
10. Bocchetta a L
11. Pistola di erogazione vapore
- 11a. Corsore di sicurezza
- 11b. Grilletto maniglia vapore
12. Bocchetta tergovetri
13. Cuffia per bocchetta manuale (2 pz. in dotazione con il modello BHSMP2314)
14. Panno per pavimenti (2 pz. in dotazione con il modello BHSMP2314)
15. Spazzolino tondo (2 pz. in dotazione con il modello BHSMP2314)
16. Spazzolino con setole in rame (in dotazione solo con il modello BHSMP2314)
17. Tubo flessibile
18. Fermi della bocchetta manuale
19. Perno per bocchetta tergovetri
20. Ganci posteriori bocchetta tergovetri
21. Valvola di sicurezza

## Assemblaggio



**Avvertenza!** Prima di tentare di eseguire una delle seguenti operazioni, verificare che l'apparecchio sia spento e scollegato dalla presa di corrente, che sia freddo e non contenga acqua.

### Collegamento della prolunga per pavimenti alla spazzola per pavimenti (Fig. A)

- ◆ Inserire l'asta di prolunga B (5b) nella spazzola per pavimenti (6) assicurandosi che si incastrino saldamente con uno scatto, come illustrato nella Figura A.

### Collegamento del tubo flessibile alla prolunga per pavimenti (Fig. A)

- ◆ Inserire saldamente la pistola di erogazione del vapore (11) sull'asta di prolunga (5a), assicurandosi che si incastrino saldamente in posizione con uno scatto.
- ◆ Collegare l'asta di prolunga A (5a) all'asta di prolunga B (5b).

**Avvertenza!** Prima di ciascun utilizzo ispezionare la guarnizione tra il punto di connessione sulla pistola di erogazione del vapore (11) e le aste di prolunga (5a e 5b). Se la guarnizione non funziona correttamente oppure è danneggiata rivolgersi al proprio centro di assistenza autorizzato di zona. Non usare l'apparecchio.

### Montaggio di un panno per la pulizia (Fig. B)

I panni per la pulizia di ricambio sono reperibili presso il proprio rivenditore BLACK+DECKER di zona (codice catalogo FSMP20-XJ).

- ◆ Appoggiare un panno per la pulizia (14) sul pavimento con il lato ad anelli del tessuto in velcro rivolto verso l'alto.
- ◆ Premere leggermente la spazzola per pavimenti sul panno per la pulizia.

**Attenzione!** Non lasciare mai la lavapavimenti a vapore a lungo in uno stesso punto di un qualsiasi tipo di pavimento. Appoggiare sempre la lavapavimenti a vapore in posizione verticale quando è ferma e accertarsi che sia spenta quando non viene usata.

### Rimozione di un panno per la pulizia

**Attenzione!** Quando si cambia il panno per la pulizia sulla lavapavimenti a vapore, indossare sempre scarpe idonee. Non indossare pantofole o sandali aperti.

- ◆ Riportare la lavapavimenti a vapore in posizione verticale e spegnerla.
- ◆ Prima di riporre la lavapavimenti a vapore attendere che si sia raffreddata (circa 5 minuti).
- ◆ Togliere il panno per la pulizia (14) sollevando la lavapavimenti a vapore e premendo sulla linguetta di rimozione del panno (14a) per staccare il velcro.

### Montaggio / Rimozione del serbatoio dell'acqua (Fig. C, D)

**Nota!** Riempire il serbatoio dell'acqua (3) con acqua di rubinetto pulita (non utilizzare additivi o agenti chimici).

**Nota!** In presenza di acque molto dure (calcareae) si consiglia di utilizzare acqua deionizzata.

- ◆ Far scorrere il serbatoio dell'acqua (3) verso l'alto ed estrarlo dal corpo macchina (2).
- ◆ Il serbatoio dell'acqua può essere messo direttamente sotto il rubinetto per riempirlo.
- ◆ Per riempire il serbatoio sollevare il coperchio (3a).

**Avvertenza!** Durante l'operazione di riempimento mantenere il serbatoio dell'acqua (3) in posizione verticale con il coperchio (3a) nella parte superiore.

**Avvertenza!** Il serbatoio dell'acqua ha una capacità di 1,2 litri. Non riempirlo eccessivamente.

- ◆ Chiudere il coperchio (3a).

**Nota!** Verificare che il coperchio sia chiuso saldamente.

## Montaggio del serbatoio dell'acqua

- ◆ Far scorrere il serbatoio dell'acqua (3) verso il basso aiutandosi con le nervature per posizionarlo nel corpo macchina (2); assicurarsi che il serbatoio dell'acqua sia saldamente inserito in modo da fare tenuta.

## Accensione e spegnimento (Fig. E)

- ◆ Per accendere l'apparecchio, premere l'interruttore di accensione/spegnimento (1). Quando la caldaia è accesa e in fase di riscaldamento si accende la spia bianca (1c). La spia verde (1b) si accende quando la caldaia arriva a temperatura e si deve premere il grilletto sulla pistola di erogazione del vapore (11b) per generare il vapore.
- ◆ Per spegnere l'apparecchio, premere l'interruttore di accensione/spegnimento (1).

**Attenzione!** Non lasciare mai la lavapavimenti a vapore a lungo in uno stesso punto di un qualsiasi tipo di pavimento. Appoggiare sempre la lavapavimenti a vapore in posizione verticale quando è ferma e accertarsi che sia spenta quando non viene usata.

**Attenzione!** Svuotare sempre il serbatoio dell'acqua dopo l'uso.

**Nota!** Al primo riempimento oppure se la lavapavimenti a vapore ha funzionato a secco, possono trascorrere fino a 180 secondi prima che venga generato del vapore.

Superficie pavimento	Impostazione
Legno/Laminato	Impostazione vapore min/basso
Piastrelle/Vinile	Impostazione vapore medio
Pietra/Marmo	Impostazione vapore max/alto
Accessori	Impostazione
Spazzola per fughe	Impostazione vapore max/alto
Spazzola piccola	Impostazione vapore max/alto
Spazzolino con setole in rame	Impostazione vapore max/alto
Bocchetta tergovetri/per indumenti	Impostazione vapore min/basso
Accessorio per carta da parati	Impostazione vapore max/alto

**Nota:** accertarsi sempre di avere selezionato l'impostazione corretta prima di usare la lavapavimenti a vapore.

## Interfaccia utente del vapore

Questa lavapavimenti a vapore è dotata di un pannello di interfaccia con 3 spie (1a, 1b e 1c), che servono per selezionare la modalità operativa corretta per l'operazione di pulizia desiderata.

- ◆ Accendere l'apparecchio premendo l'interruttore di accensione/spegnimento (1).
- ◆ Quando l'apparecchio è acceso e la caldaia è in fase di riscaldamento si illumina la spia bianca (1c).
- ◆ La spia verde (1b) si accende quando l'apparecchio è a temperatura e pronto per essere utilizzato.

- ◆ Disinserire il blocco di sicurezza facendo scorrere il pulsante di sicurezza (11a) sulla pistola di erogazione del vapore (11).
- ◆ Premere il grilletto (11b) della pistola di erogazione del vapore (11) per generare il vapore.
- ◆ Dopo l'uso riportare sempre il pulsante di sicurezza (11a) sulla pistola di erogazione del vapore (11) nella posizione di blocco.
- ◆ La spia di sinistra (1a) si accende quando il serbatoio dell'acqua (3) è vuoto; estrarre il serbatoio dell'acqua (3) e riempirlo d'acqua.
- ◆ Per spegnere l'apparecchio, premere l'interruttore di accensione/spegnimento (1).

**Nota:** prima di usare la lavapavimenti a vapore, controllare sempre di aver scelto l'impostazione corretta.

## Montaggio di accessori alla pistola di erogazione vapore

**Avvertenza!** Prima di ciascun utilizzo ispezionare la guarnizione tra il punto di connessione sulla pistola di erogazione del vapore e gli accessori. Se la guarnizione non funziona correttamente oppure è danneggiata rivolgersi al proprio centro di assistenza autorizzato di zona. Non usare l'apparecchio.

**Avvertenza!** Prima di montare gli accessori spegnere l'apparecchio.

## Montaggio di accessori grandi (Fig. F)

- ◆ Gli accessori 7, 8 e 9 possono essere applicati direttamente all'estremità della pistola di erogazione del vapore.
- ◆ Allineare l'accessorio e spingerlo con forza sulla pistola di erogazione del vapore.
- ◆ Assicurarsi che il fermo sia bloccato in posizione in modo da garantire la tenuta.

**Importante!** Tutti gli accessori devono essere collegati alla pistola di erogazione del vapore (11) per poter essere usati.

## Smontaggio di un accessorio grande

- ◆ Premere il fermo ed estrarre l'accessorio dalla pistola di erogazione del vapore (11).

**Avvertenza!** Lasciare che l'apparecchio e tutti gli accessori si raffreddino prima di smontarli.

## Montaggio degli spazzolini

- ◆ Montare il concentratore di vapore (8) sulla bocchetta del vapore
- ◆ Gli accessori piccoli (10), (15) e (16) possono essere infilati direttamente nel concentratore di vapore (8).
- ◆ Assicurarsi che l'accessorio piccolo venga inserito in modo da fare tenuta e che rimanga bloccato in posizione.

## Rimozione di un accessorio piccolo ((10), (15) e (16))

- ◆ Estrarre l'accessorio dal concentratore di vapore (8).

**Avvertenza!** Lasciare che l'apparecchio e tutti gli accessori si raffreddino prima di smontarli.

## Montaggio della bocchetta tergovetri sulla bocchetta manuale (12), (9) (Fig. I, J, K, L)

- ◆ Inserire i ganci posteriori della bocchetta tergovetri (20) nei fermi della bocchetta manuale (18), come mostrato nella Figura K.
- ◆ Spingere giù la bocchetta manuale fino a bloccarne il corpo con il perno anteriore della bocchetta tergovetri (19), come mostrato nella Figura L.

## Rimozione della bocchetta tergovetri dalla bocchetta manuale

- ◆ Spingere avanti il piolo della bocchetta tergovetri (19) per sganciare la bocchetta manuale.
- ◆ Ruotare la bocchetta manuale e sganciare i fermi della bocchetta manuale (18) dai ganci posteriori della bocchetta tergovetri (20), quindi allontanarli l'uno dall'altro.

## Consigli per un utilizzo ottimale

### Indicazioni generali

**Attenzione:** non usare mai la lavapavimenti a vapore senza aver prima montato un panno per la pulizia.

- ◆ Passare sempre l'aspirapolvere oppure spazzare il pavimento prima di usare la lavapavimenti a vapore.
- ◆ Il modo più semplice per usare la bocchetta per pavimenti consiste nell'inclinare il tubo della bocchetta per pavimenti a 45° e pulire lentamente, trattando un'area piccola alla volta.
- ◆ Con la lavapavimenti a vapore utilizzare solo acqua, senza additivi o sostanze chimiche. Per eliminare le macchie ostinate dalle pavimentazioni in vinile o linoleum, è possibile pretrattarle con un detersivo neutro e un po' di acqua prima di passare la lavapavimenti a vapore.

### Pulizia a vapore con la lavapavimenti

- ◆ Montare la pistola di erogazione vapore sul manico di prolunga per pavimenti.
- ◆ Appoggiare un panno per la pulizia (14) sul pavimento con il lato ad anelli del tessuto in velcro rivolto verso l'alto.
- ◆ Premere leggermente la testa della lavapavimenti a vapore sul panno per la pulizia (14).
- ◆ Collegare la lavapavimenti a vapore alla presa di corrente.
- ◆ Premere l'interruttore di accensione/spengimento (1). La caldaia della lavapavimenti a vapore impiega 180 secondi circa per riscaldarsi.
- ◆ Una volta che la caldaia è a temperatura, regolare la portata del getto di vapore al valore desiderato e premere il grilletto (11b) per avviare l'erogazione del vapore.

- ◆ Devono trascorrere alcuni secondi prima che il vapore penetri nel panno per la pulizia. La lavapavimenti a vapore a quel punto scorrerà facilmente sulla superficie da pulire.
- ◆ Spingere e tirare lentamente la lavapavimenti a vapore sulla superficie per pulire a fondo ogni sezione.
- ◆ Una volta finito di utilizzare la lavapavimenti a vapore, rilasciare il grilletto per interrompere il getto di vapore, riportare l'apparecchio in posizione verticale, assicurandosi che sia sostenuto, e spengerlo. Attendere che la lavapavimenti a vapore si raffreddi (circa 10 minuti).

**Attenzione!** È importante controllare il livello dell'acqua nel serbatoio. La spia rossa si accende quando il serbatoio dell'acqua è vuoto. Per rifornire il serbatoio dell'acqua e continuare a pulire, mettere la lavapavimenti a vapore in posizione verticale, assicurandosi che non venga premuto il grilletto.

**Attenzione!** Non lasciare mai la lavapavimenti a vapore a lungo in uno stesso punto di un qualsiasi tipo di pavimento. Appoggiare sempre la lavapavimenti a vapore in posizione verticale quando è ferma e accertarsi che sia spenta quando non viene usata.

### Dopo l'uso

- ◆ Attendere fino a quando la lavapavimenti a vapore si sarà raffreddata.
- ◆ Scollegare la lavapavimenti a vapore dalla presa di corrente a parete.
- ◆ Svuotare il serbatoio dell'acqua.
- ◆ Rimuovere il panno per la pulizia (14) e lavarlo per l'utilizzo successivo (avere cura seguire le istruzioni di lavaggio delicato stampate sul panno stesso).

### Accessori

Le prestazioni dell'apparecchio dipendono dall'accessorio usato. Gli accessori BLACK + DECKER sono stati fabbricati in base a standard qualitativi elevati e sono stati progettati per ottenere le migliori prestazioni dall'apparecchio. Utilizzando questi accessori si otterrà il meglio dall'elettrodomestico.

### Igienizzazione degli indumenti con il vapore (Fig. G)

- ◆ Collegare la bocchetta manuale (9) alla pistola di erogazione vapore (11).
- ◆ Infilare la cuffia (13) sulla bocchetta manuale (9).

**Nota!** Non usare mai la bocchetta manuale (9) senza la cuffia (13) infilata.

- ◆ Collegare la lavapavimenti a vapore alla presa di corrente.
- ◆ Premere l'interruttore di accensione/spengimento (1). La spia verde si accende quando la caldaia è a temperatura.

**Nota!** Al primo riempimento oppure se la lavapavimenti a vapore ha funzionato a secco, possono trascorrere fino a 180 secondi prima che venga generato del vapore.

- ◆ Quando la caldaia è in temperatura, premere il pulsante di impostazione del getto di vapore desiderato per avviare

l'erogazione del vapore.

- Una volta finito di usare la lavapavimenti a vapore, rilasciare il grilletto per interrompere il getto di vapore, riportare l'apparecchio in posizione verticale, assicurandosi che sia sostenuto, e spegnerlo. Attendere che la lavapavimenti a vapore si raffreddi (circa 5 minuti).

## Utilizzo dello scollatore per carta da parati

- Controllare lo stato dell'intonaco prima di iniziare a lavorare dato che il vapore ad alta temperatura può far staccare un'intonacatura debole, porosa o che non aderisce bene. È anche facile staccare l'intonaco dove vi sono incrinature, buchi o se la piastra di uscita del vapore viene tenuta in un'unica posizione troppo a lungo.
- È possibile rilevare se l'intonaco è debole picchiettando alcune zone delle pareti con le nocche. Se si sente un rumore sordo, consigliamo di procedere solo con la massima attenzione.
- In tutti i casi, fare una prova con lo scollatore per carta da parati su un'area piccola, di circa 100 cm<sup>2</sup>, prima di iniziare il lavoro vero e proprio.
- Se in qualsiasi momento lo strato superficiale dell'intonaco dovesse staccarsi oppure se si sente un rumore, non proseguire. Lo scollatore di carta da parati può essere usato in tutta sicurezza su superfici in cartongesso/pannelli gessati.
- Dato il livello di calore prodotto da questo apparecchio, è possibile che certe superfici, quali tappeti, mobili rivestiti, piani di tavoli, armadietti, ecc., possano essere segnati o danneggiati. Per evitare problemi di questo tipo, mettere un'asse o qualcosa di simile sotto la caldaia per evitare che il calore danneggi la superficie. Teli e giornali non sono in grado proteggere adeguatamente.
- Per ottenere i migliori risultati, rimuovere la carta da parati con un raschietto. Raschiare la carta da parati procedendo dall'alto verso il basso.
- Indossare sempre guanti di protezione quando si stacca la carta da parati dal soffitto. Fare attenzione alla condensa che potrebbe formarsi nella piastra di uscita del vapore, poiché potrebbe gocciolare acqua calda. Svuotare regolarmente la piastra di uscita del vapore e non usarla mai direttamente sopra la testa.
- Mettere sempre la piastra di uscita del vapore in un contenitore idoneo quando rimane incustodita, anche per pochi secondi, e tenerla sempre rivolta lontano da sé durante l'utilizzo.

## Vano porta-accessori (Fig. H)

I piccoli accessori e la bocchetta per pavimenti possono essere riposti sul retro dell'apparecchio.

La bocchetta per pavimenti e il tubo possono essere sistemati nel vano porta-accessori (4). Individuare il gancio sul retro della bocchetta per pavimenti (6) e inserirlo nell'apposita fessura del vano porta-accessori, come mostrato nella Fig. H.

Spingere giù con decisione e assicurarsi che la bocchetta per pavimenti e il tubo siano stabili prima di rilasciarli.

## Protezione dell'ambiente



Raccolta differenziata. I prodotti e le batterie contrassegnati con questo simbolo non devono essere smaltiti con i rifiuti domestici normali.

Prodotti e batterie contengono materiali che possono essere recuperati o riciclati, riducendo la richiesta di materie prime. Riciclare i prodotti e le batterie attenendosi alle disposizioni vigenti a livello locale. Ulteriori informazioni sono disponibili all'indirizzo

[www.2helpU.com](http://www.2helpU.com)

## Dati tecnici

BHSMP2008 Tipo 1		BHSMP2314 Tipo 1	
Tensione	V <sub>ca</sub>	230	230
Potenza	A	2000	2300
Capacità serbatoio	ml	1200	1200
Peso	kg	5,9	6,1

## Guida per la risoluzione dei problemi

Se l'apparecchio non dovesse funzionare correttamente, seguire le istruzioni riportate di seguito. Nel caso in cui non sia comunque possibile risolvere il problema, rivolgersi al proprio Centro di assistenza BLACK+DECKER autorizzato di zona. Per trovare il proprio Centro di assistenza BLACK+DECKER autorizzato di zona consultare il portale [www.2helpu.com](http://www.2helpu.com).

Problema	Passaggio	Possibile soluzione
La lavapavimenti a vapore non si accende	1.	Controllare che l'apparecchio sia collegato alla presa di corrente a parete
	2.	Controllare che l'apparecchio sia acceso tramite l'interruttore di accensione/spegnimento (1)
	3.	Controllare il fusibile nella spina
La lavapavimenti a vapore non genera vapore	4.	La lavapavimenti a vapore non genera vapore dopo l'accensione. La spia bianca si illumina quando l'apparecchio è acceso. La spia verde si illumina quando la caldaia va in temperatura e viene premuto il grilletto di erogazione del vapore
	5.	Verificare che il serbatoio dell'acqua sia pieno. Se la spia rossa è accesa il serbatoio dell'acqua è vuoto. Nota: quando viene riempito per la prima volta o dopo essersi svuotato completamente, ci vorrà un po' di tempo prima che si riscaldi; la spia verde si accenderà quando la caldaia avrà raggiunto la temperatura desiderata.
	6.	Controllare il passaggio 1, seguito dai passaggi 2, 3, e 4



Problema	Passaggio	Possibile soluzione
La lavapavimenti a vapore smette di generare vapore durante l'uso	7.	Controllare i passaggi 4, 5, e 3
La lavapavimenti a vapore genera troppo vapore durante l'uso	8.	Questo apparecchio consente di variare l'impostazione del getto di vapore. Impostare un getto di vapore basso ruotando la manopola sulla pistola di erogazione del vapore.
La lavapavimenti a vapore genera troppo poco vapore durante l'uso	9.	Questo apparecchio consente di variare l'impostazione del getto di vapore. Impostare un getto di vapore alto ruotando la manopola sulla pistola di erogazione del vapore.
Dove posso ottenere ulteriori informazioni/accessori?	10.	<a href="http://www.blackanddecker.co.uk">http://www.blackanddecker.co.uk</a> <a href="http://www.blackanddecker.ie">http://www.blackanddecker.ie</a>

## Manutenzione

Questo elettrodomestico BLACK+DECKER è stato progettato per funzionare a lungo con una manutenzione minima. Prestazioni sempre soddisfacenti dipendono da una cura appropriata e da una pulizia regolare.



**Avvertenza!** Prima di eseguire interventi di manutenzione sull'elettrodomestico.

- ◆ Strofinare l'apparecchio con un panno umido e morbido.
- ◆ Per le macchie ostinate è possibile usare una soluzione di acqua e sapone neutro in cui inumidire lo straccio.

## Garanzia

Black&Decker, certa della qualità dei propri prodotti, offre ai consumatori una garanzia di 24 mesi dalla data di acquisto. Questa garanzia complementare e non pregiudica in alcun modo i diritti del consumatore previsti dalla legge. La garanzia è valida nei territori degli Stati membri dell'Unione Europea, dell'EFTA (Associazione europea di libero scambio) e del Regno Unito.

Per attivare la garanzia, il reclamo deve essere effettuato in accordo con i Termini e Condizioni Black&Decker e sarà necessario presentare la prova di acquisto al venditore o all'agente di riparazione autorizzato. I Termini e condizioni della garanzia Black&Decker di 2 anni e la sede del tecnico riparatore autorizzato più vicino sono consultabili su Internet all'indirizzo [www.2helpU.com](http://www.2helpU.com), o contattando l'ufficio Black&Decker di zona all'indirizzo postale indicato in questo manuale.

Visitare il nostro sito [www.blackanddecker.it](http://www.blackanddecker.it) per registrare il prodotto Black&Decker appena acquistato e ricevere gli aggiornamenti su nuovi prodotti e offerte speciali.

## Bedoeld gebruik

Uw BLACK+DECKER BHSMP2008, BHSMP2314 stoomreinigers werden ontwikkeld voor het reinigen van gelakte hardhouten, gelakte laminaat, linoleum, vinyl, keramische tegels, stenen en marmeren vloeren. Deze apparaten zijn alleen bedoeld voor huishoudelijk gebruik binnen.

## Instructies voor de veiligheid



### Waarschuwing! Lees alle veiligheidsinstructies en alle instructies.

Wanneer de volgende waarschuwingen en voorschriften niet in acht worden genomen, kan dit een elektrische schok, brand of ernstig letsel tot gevolg hebben.



### Waarschuwing! Wanneer u

apparaten voor gebruik op de netspanning gebruikt moeten bepaalde elementaire voorzorgsmaatregelen, waaronder de volgende, in acht worden genomen zodat het gevaar voor brand, elektrische schok, persoonlijk letsel en materiële schade tot een minimum kan worden beperkt.

- ◆ In deze handleiding wordt het bedoeld gebruik beschreven.
- ◆ Het gebruik van accessoires of hulpstukken of het uitvoeren van handelingen anders dan die in deze gebruikershandleiding worden aanbevolen, kan een risico op persoonlijk letsel vormen.
- ◆ Bewaar deze handleiding zorgvuldig voor toekomstige raadpleging.



- ◆ Het apparaat mag worden gebruikt door personen die lichamelijk of geestelijk minder valide zijn of die geen ervaring met of kennis van dit apparaat hebben, mits zij onder toezicht staan of instructies krijgen voor een veilige manier van gebruiken van het apparaat en inzicht hebben in de mogelijke gevaren. Kinderen mogen niet met het apparaat spelen.
- ◆ Er moet op worden toegezien dat kinderen niet met het apparaat spelen.
- ◆ Haal de stekker uit het stopcontact voordat u het apparaat gaat schoonmaken of er onderhoud aan gaat uitvoeren.
- ◆ De vloeistof of stoom mag niet worden gericht op apparatuur die elektrische componenten bevat, zoals de binnenzijde van ovens.
- ◆ Er moet voorzichtig met het apparaat gewerkt worden, vanwege de productie van stoom.
- ◆ Houd het apparaat en het netsnoer buiten het bereik van kinderen jonger dan 8 jaar als het ingeschakeld is of afkoelt.
- ◆ Als het netsnoer is beschadigd, moet het door de fabrikant, zijn serviceagent of door iemand die ook gekwalificeerd is, worden vervangen, zodat gevaarlijke situaties worden voorkomen.
- ◆ Het apparaat mag niet onbeheerd worden achtergelaten met de stekker in het stopcontact.

- ◆ Gebruik het apparaat niet als het is gevallen, als er zichtbare tekenen van beschadiging zijn of als het.
- ◆ Houd het apparaat buiten bereik van kinderen wanneer het is ingeschakeld of wanneer het afkoelt.
- ◆ De vulopening mag niet worden geopend tijdens gebruik.

## Uw apparaat gebruiken

- ◆ Open het overdrukventiel niet tijdens gebruik.
- ◆ Richt de stoom niet op mensen, dieren, elektrische apparaten of stopcontacten.
- ◆ Stel het apparaat niet bloot aan regen.
- ◆ Dompel het apparaat niet onder in water.
- ◆ Laat het apparaat niet onbeheerd achter.
- ◆ Laat het apparaat niet aangesloten op het stopcontact wanneer u het niet gebruikt.
- ◆ Trek de stekker nooit aan het snoer uit het stopcontact.
- ◆ Houd het apparaat uit de buurt van warmtebronnen, olie en scherpe randen.
- ◆ Bedien de stoomreiniger niet met natte handen.
- ◆ Trek of draag het apparaat nooit aan het snoer, gebruik het snoer niet als handvat, klem het snoer niet tussen de deur, trek het snoer niet langs scherpe randen en stel het snoer niet bloot aan warme oppervlakken.

- ◆ Gebruik het apparaat niet in een afgesloten ruimte die gevuld is met dampen van een verfverdunder op oliebasis, sommige anti-motstoffen, ontvlambaar stof of andere explosieve of giftige dampen.
- ◆ Controleer het vloertype bij de fabrikant.
- ◆ Gebruik de stoomreiniger niet op leer, met was gepolijste meubels of vloeren, synthetische vezels, fluweel of andere fijne stoomgevoelige materialen.



**Waarschuwing!** Gebruik het apparaat niet op niet-geseald hout of niet-gesealde laminaatvloeren. Op oppervlakken die behandeld zijn met was of op sommige niet-wasvloeren, kan de glans verdwijnen door de hitte en de stoom. Het wordt altijd aangeraden eerst een klein onopvallend stukje van het oppervlak dat moet worden gereinigd, te testen voordat u het hele oppervlak reinigt. Wij adviseren u ook de gebruiks- en onderhoudsinstructies van de fabrikant door te lezen.

- ◆ Giet nooit ontkalkingsmiddel, alcoholische producten of reinigingsmiddelen in de stoomreiniger. Deze producten kunnen het apparaat beschadigen of onveilig voor gebruik maken.

- ◆ Als de stroomonderbreker in uw huis wordt geactiveerd terwijl u de stoomfunctie gebruikt, stop dan met het gebruik van het apparaat en neem contact op met de klantenservice. (Pas op voor elektrische schokken.)
- ◆ Het apparaat reinigt oppervlakken met zeer hete stoom. Dit betekent dat de stoomkop, reinigingskussens en hulpstukken zeer heet worden tijdens gebruik.

**Let op!** Draag altijd geschikte schoenen wanneer u de stoomreiniger gebruikt en wanneer u de accessoires op de stoomreiniger wisselt. Draag geen slippers of schoeisel met open tenen.

- ◆ Het deksel wordt heet tijdens het gebruik.
- ◆ Het oppervlak van het mondstuk kan heet worden tijdens gebruik
- ◆ Er kan stoom uit het apparaat komen tijdens gebruik. Ga altijd voorzichtig te werk wanneer u dit apparaat gebruikt. Raak GEEN onderdelen aan die heet kunnen worden tijdens gebruik.
- ◆ Als u ziet dat er stoom uit de behuizing van de stoomreiniger afkomt, schakelt het apparaat dan uit en trek de stekker van het apparaat uit het stopcontact zodat het kan afkoelen. Neem contact op met het servicecentrum bij u in de buurt.

- ◆ Als u ziet dat er stoom uit het overdrukventiel (21) komt, schakel het apparaat dan uit, trek de stekker uit het stopcontact, wacht een uur tot het apparaat is afgekoeld en schroef daarna het overdrukventiel los. Controleer de toestand van de dichting van het overdrukventiel. Als de dichting in goede staat is, schroef het overdrukventiel dan opnieuw stevig vast. Als u ziet dat er stoom uit de dop komt, neem dan contact op met ons dichtstbijzijnde reparatiecentrum. **GA NIET DOOR MET HET GEBRUIKEN VAN HET APPARAAT.**

## Na gebruik

- ◆ Trek de stekker van het apparaat uit het stopcontact en laat het apparaat afkoelen voordat u het schoonmaakt.
- ◆ Bewaar het apparaat na gebruik op een droge plaats.
- ◆ Kinderen mogen geen toegang hebben tot opgeborgen apparaten.
- ◆ De resterende stoom in de slang staat onder druk wanneer het apparaat uitgeschakeld wordt. Laat het apparaat afkoelen voordat u op de schakelaar drukt

## Inspectie en reparaties

- ◆ Schakel het apparaat uit, haal de stekker uit het stopcontact en laat het apparaat afkoelen voordat er onderhoud of een reparatie wordt uitgevoerd.

- ◆ Trek de stekker van het apparaat uit het stopcontact, laat het apparaat afkoelen en controleer dat er geen stoom meer uitkomt door op de stoomknop op de handgreep (11) te drukken vóór het losschroeven van het overdrukventiel (21). Schroef het overdrukventiel niet los voordat het apparaat is afgekoeld en er geen stoom meer uit komt. Schroef na het uitvoeren van onderhoud het overdrukventiel opnieuw stevig vast.
- ◆ Controleer het apparaat vóór gebruik op beschadigingen en defecte onderdelen. Controleer het apparaat op gebroken onderdelen, schade aan de schakelaars en andere omstandigheden die de werking ervan kunnen beïnvloeden.
- ◆ Controleer het snoer regelmatig op beschadiging.
- ◆ Gebruik het apparaat niet in geval van een of meer beschadigde of defecte onderdelen.
- ◆ Laat beschadigde of defecte onderdelen door een van onze servicecentra repareren of vervangen.
- ◆ Probeer nooit andere onderdelen te verwijderen of vervangen dan in deze handleiding zijn vermeld.

## Overige risico's

Er kunnen zich bij het gebruik van dit gereedschap nog meer risico's vormen, die mogelijk niet in de bijgesloten veiligheidswaarschuwingen worden beschreven.

Deze risico's kunnen zich voordoen bij verkeerd of langdurig gebruik, enz. Ook als de geldende veiligheidsvoorschriften worden gevolgd en de juiste veiligheidsvoorzieningen worden getroffen, kunnen bepaalde risico's niet worden uitgesloten. Dit zijn onder meer:

- ◆ Verwondingen die worden veroorzaakt door het aanraken van bewegende onderdelen.
- ◆ Verwondingen die worden veroorzaakt door het aanraken van warme onderdelen.
- ◆ Verwondingen die worden veroorzaakt bij het vervangen van onderdelen of accessoires.
- ◆ Verwondingen die worden veroorzaakt door langdurig gebruik van het apparaat. Wanneer u het apparaat gedurende langere perioden gebruikt, is het belangrijk dat u de werkzaamheden regelmatig onderbreekt.

## Elektrische veiligheid



**Waarschuwing!** Dit product moet geaard zijn. Controleer altijd dat de voeding overeenstemt met de spanning op het typeplaatje.

De netstekker moet in het stopcontact passen.

Pas de stekker nooit op om het even welke manier aan.

Niet-aangepaste stekkers en passende contactdozen verminderen het risico van een elektrische schok.

- ◆ Als het netsnoer is beschadigd, moet dit worden vervangen door de fabrikant of een erkend BLACK+DECKER servicecentrum, om gevaarlijke situaties te voorkomen.

## Verlengsnoeren & product van klasse 1

- ◆ U moet een 3-aderig snoer gebruiken omdat het apparaat geaard en van klasse 1 is.
- ◆ Gebruik altijd een goedgekeurd verlengsnoer dat geschikt is voor het ingangsvermogen van dit apparaat (zie de technische gegevens). U kunt een snoer van 1,50mm<sup>2</sup> van maximaal 30m lang gebruiken zonder dat de prestaties van het gereedschap afnemen. Controleer het verlengsnoer vóór gebruik op tekenen van beschadiging, slijtage of veroudering. Vervang het verlengsnoer als het beschadigd of defect is. Rol de kabel altijd volledig af als u een kabelhaspel gebruikt.

## Labels op het apparaat

De volgende pictogrammen worden met de datumcode op het apparaat weergegeven.



**LET OP!** Hete stoom



Wassen op 60°C. Gebruik niet een bleekmiddel of wasverzachter



**LET OP!** Heet oppervlak

## Kenmerken

Dit apparaat heeft enkele of alle van de volgende functies.

1. Aan/uit-schakelaar
- 1a. Rood indicatielampje - Waarschuwinglampje water op
- 1b. Groen indicatielampje - Indicielampje stoom gereed
- 1c. Wit indicatielampje - Aan/uit-indicatielampje
2. Hoofdeenheid
3. Watertank
4. Opslagruimte voor hulpstukken
- 5a. Verlengstang A
- 5b. Verlengstang B
6. Vloerkop met bevestigingshaak
7. Plaat voor het losmaken van behangpapier (Alleen geleverd met apparaat BHSMP2314)
8. Stoomconcentrator
9. Draagbaar mondstuk (2 geleverd met apparaat BHSMP2314)
10. L-vormig mondstuk
11. Stoomgreep
- 11a. Schuifvergrendeling
- 11b. Stoomhandgreeptrigger
12. Trekker
13. Sok draagbaar mondstuk (2 geleverd met apparaat BHSMP2314)
14. Vloerstuk (2 geleverd met apparaat BHSMP2314)
15. Ronde borstel (2 geleverd met apparaat BHSMP2314)
16. Koperen borstel (Alleen geleverd met apparaat BHSMP2314)
17. Flexibele slang
18. Vergrendelingen handgreep mondstuk
19. Pen trekker
20. Achterste haken trekker
21. Overdrukventiel

## Montage



**Waarschuwing!** Controleer, voordat u de volgende instructies volgt, dat het apparaat is uitgeschakeld en de stekker uit het stopcontact is getrokken en dat het apparaat is afgekoeld en geen water bevat.

### Bevestigen van het verlengstuk op de vloerkop (Afb. A)

- ◆ Duw de verlengstang B (5b) in de vloerkop (6) en verzeker dat het stevig vast klikt, zoals weergegeven op afbeelding A.

### De draagbare slange-eenheid bevestigen op het verlengstuk (Afb. A)

- ◆ Duw de stoomgreep (11) stevig in de verlengstang (5a) en verzeker dat deze stevig vast klikt.

- ◆ Verbing verlengstang A (5a) met verlengstang B (5b).

**Waarschuwing!** Inspecteer voor ieder gebruik de dichting tussen het aansluitpunt van de stoomgreep (11) en de verlengstangen (5a en 5b). Neem contact op met de officiële servicemonteur bij u in de buurt als de afdichting niet goed werkt of beschadigd is. Gebruik het apparaat niet.

### Een reinigingskussen bevestigen (Afb. B)

Vervangende reinigingskussens zijn verkrijgbaar bij uw BLACK+DECKER-verdeler:- (cat. nr. FSMP20-XJ).

- ◆ Plaats een reinigingskussen (14) op de vloer met de klittenband-zijde naar boven gericht.

- ◆ Druk de stoomreiniger lichtjes op het reinigingskussen.

**Let op!** Laat de stoomreiniger nooit langere tijd op één plek op een oppervlak staan. Zet de stoomreiniger altijd rechtop neer en let erop dat u de stoomreiniger uitschakelt, wanneer u het apparaat niet gebruikt.

### Een reinigingskussen verwijderen

**Let op!** Draag altijd geschikte schoenen wanneer u de reinigingskussens verwisselt op de stoomreiniger.

Draag geen slippers of schoeisel met open tenen.

- ◆ Zet de stoomreiniger opnieuw rechtop en schakel de stoomreiniger 'UIT'.

- ◆ Wacht tot de stoomreiniger is afgekoeld (ongeveer 5 minuten).

- ◆ Til de stoomreiniger van het reinigingskussen (14) en maak het kussen los van de klittenbandbevestiging door gewicht te zetten op het verwijderingslipje (14a) van het reinigingskussen.

### De watertank bevestigen/verwijderen (Afb. C, D)

**Opmerking!** Vul de watertank (3) met schoon leidingwater (Gebruik geen toevoegingen of chemicaliën).

**Opmerking!** In gebieden met hard water wordt het gebruik van gedeïoniseerd water aangeraden.

- ◆ Schuif de watertank (3) omhoog en weg van de hoofdeenheid van de stoomreiniger (2).

- ◆ De watertank kan aan de kraan gevuld worden.

- ◆ Verwijder de dop (3a) om de tank te vullen.

**Waarschuwing!** Houd de watertank (3) tijdens het vullen rechtop met de dop (3a) bovenaan.

**Waarschuwing!** De watertank heeft een capaciteit van 1.2 liter. Doe de tank niet te vol.

- ◆ Sluit de dop (3a).

**Opmerking!** Verzekert dat de dop stevig vastzit.

### De watertank bevestigen

- ◆ Schuif de watertank (3) omlaag door de ribben in de hoofdeenheid (2) te plaatsen, verzeker dat de watertank goed vastzit en afdicht.

## In- en uitschakelen (Afb. E)

- ◆ Schakel het apparaat in door op de aan/uit-schakelaar (1) te drukken. Het witte lampje (1c) gaat branden als er voeding is en de ketel aan het opwarmen is. Het groene lampje (1b) gaat branden als de ketel op temperatuur is, de gebruiker moet op de schakelaar op de stoomgreep (11b) drukken om stoom te produceren.
- ◆ Schakel het apparaat uit door op de aan/uit-schakelaar (1) te drukken.

**Let op!** Laat de stoomreiniger nooit langere tijd op één plek op een oppervlak staan.

Zet de stoomreiniger altijd rechtop neer en let erop dat u de stoomreiniger uitschakelt, wanneer u het apparaat niet gebruikt.

**Let op!** Maak na gebruik de watertank altijd leeg.

**Opmerking!** Wanneer u de stoomreiniger voor de eerste keer vult of nadat de watertank leeg is geweest, kan het tot wel 180 seconden duren voordat er stoom wordt geproduceerd

Vloer werkoppervlak	Instelling
Hout/Laminaat	Min/Laag stoominstelling
Tegels/Vinyl	Gemiddelde stoominstelling
Steen/Marmer	Max/hog stoominstelling
Accessoires	Stand
Voegborstel	Max/hog stoominstelling
Kleine borstel	Max/hog stoominstelling
Smalle borstel met koperen haren	Max/hog stoominstelling
Venster / kleding trekker	Min/Laag stoominstelling
Hulpstuk voor behangpapier	Max/hog stoominstelling

**Opmerking:** Controleer vóór het gebruik van de stoomreiniger altijd dat u de juiste instelling hebt geselecteerd.

## Gebruikersinterface voor stomen

Deze stoomreiniger is uitgerust met een gebruikersinterfacepaneel met 3 indicatielampjes (1a, 1b en 1c). Hiermee kunt u de juiste gebruiksstand voor uw schoonmaakwerk selecteren.

- ◆ Schakel het apparaat uit door op de aan/uit-knop (1) te drukken.
- ◆ Het wit indicatielampje (1c) gaat branden als er voeding is en de ketel aan het opwarmen is.
- ◆ Het groen indicatielampje (1b) gaat branden als het apparaat op temperatuur en klaar voor gebruik is.
- ◆ De gebruiker moet de vergrendelknop (11a) op de stoomgreep (11) uit de vergrendelpositie schuiven.
- ◆ Druk op de schakelaar (11b) op de stoomgreep (11) om stoom te produceren.
- ◆ Schuif na gebruik de vergrendelknop (11a) op de stoomgreep (11) opnieuw naar de vergrendelpositie.

- ◆ Het linker indicatielampje (1a) gaat branden als de watertank (3) leeg is, verwijder de watertank (3) en vul deze met water.
- ◆ Druk op de aan/uit-schakelaar (1) om het apparaat uit te schakelen.

**Opmerking:** Controleer vóór het gebruik van de stoomreiniger altijd dat u de juiste instelling hebt geselecteerd.

## Hulpstukken aan de stoomgreep bevestigen

**Waarschuwing!** Inspecteer voor ieder gebruik de dichting tussen het aansluitpunt van de stoomgreep en de hulpstukken. Neem contact op met de officiële servicemonteur bij u in de buurt als de afdichting niet goed werkt of beschadigd is. Gebruik het apparaat niet.

**Waarschuwing!** Het apparaat moet uitgeschakeld worden voordat hulpstukken bevestigd worden.

## Grote hulpstukken bevestigen (Afb. F)

- ◆ Hulpstukken 7, 8 en 9 kunnen rechtstreeks op het einde van de stoomgreep bevestigd worden.
- ◆ Lijn het hulpstuk uit en duw het stevig op de stoomgreep.
- ◆ Verzekert dat de grendelfunctie op zijn plaats is vergrendeld om te zorgen voor afdichting

**Belangrijk!** Alle hulpstukken moeten voor gebruik op de stoomgreep (11) zijn bevestigd.

## Een groot hulpstuk verwijderen

- ◆ Druk op de grendel en trek het hulpmiddel van de stoomgreep (11).

**Waarschuwing!** Laat het apparaat en alle hulpstukken afkoelen voordat u hulpstukken verwijdt.

## Kleine borstelhulpstukken bevestigen

- ◆ Bevestig de stoomconcentrator (8) op het stoommondstuk
- ◆ Kleine hulpstukken 10, 15, 16 kunnen rechtstreeks op de stoomconcentrator (8) gedrukt worden.
- ◆ Verzekert dat het klein hulpstuk is vastgedrukt zodat er een afdichting is en het op zijn plaats blijft.

## Een klein hulpstuk 10, 15, 16 verwijderen

- ◆ Trek het hulpstuk van de stoomconcentrator (8).

**Waarschuwing!** Laat het apparaat en alle hulpstukken afkoelen voordat u hulpstukken losneemt.

## De trekker op het draagbaar mondstuk 12, 19 plaatsen (Afb. I, J, K, L)

- ◆ Plaats de achterste haken van de trekken (20) in de grendels van het draagbaar mondstuk (18) zoals weergegeven op afbeelding K.
- ◆ Duw het draagbaar mondstuk omlaag tot het lichaam is vergrendeld via de pin van de trekker (19) zoals weergegeven op afbeelding L.

## De trekker van het draagbaar mondstuk verwijderen

- ◆ Duw de pin van de trekker (19) naar voor om het draagbaar mondstuk los te maken.
- ◆ Draai het draagbaar mondstuk en klik de grendels van het draagbaar mondstuk (18) los van de achterste haken van de trekker (20) en trek ze weg van elkaar.

## Tips voor optimaal gebruik

### Algemeen

**Let op:** Gebruik de stoomreiniger nooit zonder eerst een reinigingskussen te bevestigen.

- ◆ Veeg of stofzuig de vloer altijd voordat u de stoomreiniger gebruikt.
- ◆ De gemakkelijkste manier van werken is de handgreep 45° kantelen en langzaam kleine stukjes per keer schoon te maken.
- ◆ Gebruik in de stoomreiniger alleen water zonder toevoegingen en chemicaliën. U kunt hardnekkige vlekken uit vinyl- of linoleumvloeren verwijderen door ze, voor u de stoomreiniger gebruikt, voor te behandelen met een mild reinigingsmiddel en wat water.

### Stoomreinigen met de reiniger

- ◆ De stoomgreep op het vloerstuk bevestigen.
- ◆ Plaats een reinigingskussen (14) op de vloer met de klittenband-zijde naar boven gericht.
- ◆ Druk de stoomreiniger licht op het reinigingskussen (14).
- ◆ Steek de stekker van de stoomreiniger in het stopcontact.
- ◆ Druk op de AAN/UIT-knop (1). Het opwarmen van de ketel duurt ongeveer 180 seconden.
- ◆ Pas, zodra de ketel op temperatuur is, het debiet aan overeenkomstig de gewenste instelling en druk op de schakelaar (11b) om het stomen te starten.
- ◆ Het duurt een aantal seconden voor er stoom in het reinigingskussen doordringt. De stoomreiniger zal nu gemakkelijk over het te reinigen oppervlak glijden.
- ◆ Duw en trek de stoomreiniger langzaam over het vloeroppervlak zodat dit in delen grondig met stoom wordt gereinigd.
- ◆ Laat, wanneer u klaar bent met de stoomreiniger, de schakelaar los om het stomen te stoppen, zet de reiniger opnieuw rechtop en let er daarbij op dat de handgreep wordt ondersteund en schakel het apparaat uit 'UIT'. Wacht tot de stoomreiniger is afgekoeld (ongeveer 10 minuten).

**Let op!** Het is belangrijk dat goed let op het waterniveau in de watertank. Het rood indicatielampje zal branden als de watertank leeg is. Zet, om de watertank te vullen en verder te gaan met reinigen, de reiniger rechtop zetten en verzekerd dat de stoomschakelaar niet ingedrukt wordt.

**Let op!** Laat de stoomreiniger nooit langere tijd op één plek op een oppervlak staan.

Zet de stoomreiniger altijd rechtop neer en let erop dat u de stoomreiniger uitschakelt, wanneer u het apparaat niet gebruikt.

### Na gebruik

- ◆ Wacht tot de stoomreiniger is afgekoeld.
- ◆ Trek de stekker van de stoomreiniger uit het stopcontact.
- ◆ Giet de watertank leeg.
- ◆ Maak de reinigingskussen (14) los en was het voor een volgend gebruik (volg de wasinstructies die op het reinigingskussen zijn afgedrukt).

### Accessoires

De prestaties van het apparaat zijn afhankelijk van de gebruikte accessoires. Accessoires van BLACK+DECKER zijn ontworpen volgens hoge kwaliteitsnormen en zij verhogen de prestaties van uw apparaat. Door deze accessoires te gebruiken kunt u uw apparatuur optimaal laten presteren.

### Kleding schoonmaken met stoom (Afb. G)

- ◆ Bevestig het draagbaar mondstuk (9) aan de stoomgreep (11).
- ◆ Plaats de sok van het draagbaar mondstuk (13) rond de stoomgreep (9).

**Opmerking!** Het draagbaar mondstuk (9) mag niet worden gebruikt zonder de sok (13).

- ◆ Steek de stekker van de stoomreiniger in het stopcontact.
- ◆ Druk op de AAN/UIT-knop (1). Het groen indicatielampje zal branden als de ketel op temperatuur is.

**Opmerking!** Wanneer u de stoomreiniger voor de eerste keer vult of nadat de watertank leeg is geweest, kan het tot wel 180 seconden duren voordat er stoom wordt geproduceerd.

- ◆ Druk, zodra de ketel op temperatuur is, op de knop voor de gewenste stoominstellingen om het stomen te starten.
- ◆ Laat, wanneer u klaar bent met de stoomreiniger, de schakelaar voor het stomen los om het stomen te stoppen, zet de reiniger opnieuw rechtop en let er daarbij op dat de handgreep wordt ondersteund en schakel het apparaat uit 'UIT'. Wacht tot de stoomreiniger is afgekoeld (ongeveer 5 minuten).

### De behangafstomer gebruiken

- ◆ Controleer de toestand van het pleisterwerk voordat u begint, omdat zacht, poreus of slecht hechtend pleisterwerk door hoge temperaturen los kan raken. Pleisterwerk kan ook gemakkelijker losraken op plaatsen met scheuren of gaten, of als de stoomplaat te lang op één positie wordt gehouden.
- ◆ U kunt wellicht controleren of er zacht pleisterwerk is door met uw knokkels op een paar plekken van de muren te kloppen. Als u hierbij een hol geluid hoort, is het raadzaam uiterst voorzichtig te werk te gaan.



- ◆ Test in ieder geval de behangafstomer uit op een klein vlak van ongeveer 100 cm<sup>2</sup>, voordat u met het echte werk begint.
- ◆ Stop onmiddellijk als er wanneer dan ook pleisterwerk los komt of wanneer u een scheurend geluid hoort. Het behangafstoomapparaat is veilig voor oppervlakken van gipsplaten/gasbeton.
- ◆ Het is mogelijk dat door de hitte die door dit apparaat wordt gegenereerd, bepaalde oppervlakken (bijvoorbeeld vloerbedekking, stoffering, tafelbladen, kasten enzovoort) beschadigd raken. U kunt dit voorkomen door een houten plank of een plaat van ander materiaal onder de boiler te plaatsen, zodat de hitte het oppervlak niet kan beschadigen. Afdekvellen of kranten zijn voor dit doel niet geschikt.
- ◆ Verwijder voor het beste resultaat het behang met een schraaper. Schraap het behang van boven naar onder af.
- ◆ Draag altijd bescherming wanneer u behang van het plafond verwijdert. Pas op voor condens dat zich verzamelt op de stoomplaat, omdat dit als heet water kan druppelen. Leeg de stoomplaat regelmatig en gebruik deze nooit recht boven uw hoofd.
- ◆ Plaats de stoomplaat altijd in een geschikte container wanneer u deze onbeheerd achterlaat, zelfs al is het maar voor enkele seconden, en houd de stoomplaat van u weg gericht tijdens gebruik.

BHSMP2008 Type 1		BHSMP2314 Type 1	
Gewicht	kg	5,9	6,1

## Problemen oplossen

Ga te werk volgens onderstaande instructies, als de machine niet goed lijkt te functioneren. Neem contact op met het BLACK+DECKER-servicecentrum bij u in de buurt, als u het probleem niet kunt verhelpen. De reparatie van uw dichtsbijznde BLACK+DECKER-reparatievertegenwoordiger kunnen worden gevonden op [www.2helpu.com](http://www.2helpu.com)

Probleem	Stap	Mogelijke oplossing
De stoomreiniger werkt niet	1.	Controleer dat de stekker van de eenheid in het stopcontact zit
	2.	Controleer dat de unit is ingeschakeld met de AAN/UIT-schakelaar (1)
	3.	Controleer de zekering in de stekker
De stoomreiniger produceert geen stoom	4.	De stoomreiniger zal alleen stoom produceren zodra de eenheid ingeschakeld wordt. Het wit indicatielampje zal branden als er voeding is. Het groen indicatielampje zal branden als de ketel op temperatuur is en er op de stoomschakelaar gedrukt wordt
	5.	Controleer dat de watertank vol is. Het rood indicatielampje gaat branden als de watertank leeg is. Opmerking: Als u het apparaat voor de eerste keer vult of als het de watertank leeg is gekomen, zal het opwarmen even duren, het groen indicatielampje zal branden als de ketel op temperatuur is.
	6.	Controleer stap 1, dan 2, dan 3, dan 4
De stoomreiniger produceert tijdens het gebruik geen stoom meer	7.	Controleer stap 4, dan 5, dan 3
De stoomreiniger produceert tijdens het werken te veel stoom	8.	Het apparaat heeft instellingen voor variabel stoomdebiet. Stel het stoomdebiet in op laag door de keuzeknop op de stoomgreep te draaien.
De stoomreiniger produceert tijdens het werken te weinig stoom	9.	Het apparaat heeft instellingen voor variabel stoomdebiet. Stel het stoomdebiet in op hoog door de keuzeknop op de stoomgreep te draaien.
Waar kan ik meer informatie/accessoires verkrijgen	10.	<a href="http://www.blackanddecker.co.uk">http://www.blackanddecker.co.uk</a> <a href="http://www.blackanddecker.ie">http://www.blackanddecker.ie</a>

## Opslag van hulpstukken (fig H)

Kleine hulpstukken en de vloermond worden op de achterkant van het apparaat bewaard.

De vloermond en buis kunnen in de opbergruimte voor hulpstukken (4) bewaard worden. Zoek de haak op de achterkant van de vloerkop (6) en schuif deze in de voorziene sleuf van de opbergruimte, zoals te zien is op (Afb H). Druk stevig omlaag en verzeker dat de vloerkop en buis stabiel zitten voordat u loslaat.

## Het milieu beschermen



Gescheiden afvalinzameling. Producten en accu's die zijn voorzien van dit symbool mogen niet bij het normale huishoudafval worden weggegooid.

Producten en accu's bevatten materialen die kunnen worden teruggewonnen of gerecycled, wat de vraag naar grondstoffen doet afnemen. Recycle elektrische producten en accu's overeenkomstig de plaatselijke richtlijnen. Meer informatie is beschikbaar op [www.2helpu.com](http://www.2helpu.com)

## Technische gegevens

BHSMP2008 Type 1		BHSMP2314 Type 1	
Spanning	V <sub>ac</sub>	230	230
Vermogen	W	2000	2300
Tankcapaciteit	ml	1200	1200

## Onderhoud

Dit BLACK+DECKER-gereedschap is ontworpen om gedurende langere tijd te functioneren met een minimum aan onderhoud. Het continu naar tevredenheid functioneren hangt af van de juiste zorg voor het gereedschap en regelmatige reiniging.



Waarschuwing! Doe altijd het volgende voordat u onderhoudswerkzaamheden aan het gereedschap uitvoert.

- ◆ Veeg het apparaat schoon met een zachte vochtige doek.
- ◆ Voor hardnekkige vlekken kunt u met een milde oplossing van water en zeep de reinigingspad bevochtigen.

## Garantie

Black & Decker heeft vertrouwen in zijn producten en biedt consumenten een garantie van 24 maanden vanaf de aankoopdatum. Deze garantie vormt een aanvulling op uw wettelijke rechten en beperkt deze op geen enkele manier. De garantie is geldig op het grondgebied van de Lidstaten van de Europese Unie en de Europese Vrijhandelszone en het Verenigd Koninkrijk.

Voor een garantieclaim, moet uw claim in overeenstemming zijn met de Algemene voorwaarden van Black&Decker en moet u een bewijs van aankoop overleggen aan de verkoper of een erkende reparatievertegenwoordiger. Voorwaarden en condities van de 2-jarige garantie van Black&Decker en het adres van de vestiging van het geautoriseerde reparatiecentrum bij u in de buurt, kunt u vinden op internet op [www.2helpU.com](http://www.2helpU.com), of door contact op te nemen met het Black & Decker-kantoor ter plaatse, op het adres dat in deze handleiding wordt vermeld.

Bezoek onze website [www.blackanddecker.nl](http://www.blackanddecker.nl), waar u uw nieuwe Black & Decker-product kunt registreren en het laatste nieuws vindt over nieuwe producten en speciale aanbiedingen.

## ESPAÑOL

(Traducción de las instrucciones originales)

## Uso previsto

Las mopas de vapor BHSMP2008, BHSMP2314 de BLACK+DECKER han sido diseñadas para la limpieza de madera dura sellada, laminado sellado, linóleo, vinilo, baldosas de cerámica, piedra y suelos de mármol. Estos electrodomésticos han sido concebidos solo para uso doméstico en interiores.

## Instrucciones de seguridad



**¡Advertencia! Lea todas las advertencias de seguridad y todas las instrucciones.**

En caso de no atenerse a las siguientes advertencias e instrucciones de seguridad, podría producirse una descarga eléctrica, incendio o lesión grave.



**¡Advertencia!** Cuando utilice electrodomésticos, debe tomar las precauciones de seguridad básicas, incluidas las que se indican a continuación, para reducir el riesgo de incendios, electrocución, lesiones personales y daños materiales.

- ◆ En este manual se describe el uso previsto del aparato.
- ◆ La utilización de accesorios o acoplamientos y la realización de operaciones distintas a las recomendadas en este manual de instrucciones con este aparato pueden conllevar el riesgo de lesiones.
- ◆ Conserve este manual para futuras consultas.
- ◆ El aparato puede ser usado por personas con capacidades físicas, sensoriales o mentales disminuidas, o que carezcan de experiencia y conocimientos, si están supervisadas o han recibido formación sobre el uso seguro del aparato y comprenden los peligros que entraña su uso. Los niños no deben jugar con el aparato.
- ◆ Los niños deben estar vigilados en todo momento para asegurarse de que no jueguen con el aparato.
- ◆ Hay que desenchufar el enchufe de la toma de corriente antes de limpiar o hacer operaciones de mantenimiento en el aparato.

- ◆ No se debe dirigir líquido ni vapor hacia equipos que contengan componentes eléctricos como el interior de los hornos.
- ◆ Hay que tener cuidado al usar el aparato debido a la emisión de vapor.
- ◆ Mantenga el aparato y el cable fuera del alcance de los niños menores de 8 años cuando esté energizado o se esté enfriando.
- ◆ Si se daña el cable de alimentación, debe ser sustituido por el fabricante, un centro de servicio técnico autorizado u otras personas debidamente cualificadas, para evitar riesgos.
- ◆ El aparato no debe dejarse sin vigilancia cuando está conectado a la red de suministro.
- ◆ El aparato no debe utilizarse si se ha caído, si presenta signos visibles de daños o si tiene pérdidas.
- ◆ Mantenga el aparato alejado del alcance de los niños cuando esté enchufado o se esté enfriando.
- ◆ La abertura de llenado no debe abrirse durante el uso.
- ◆ No deje el aparato conectado a una toma eléctrica cuando no lo esté utilizando.
- ◆ No tire del cable de alimentación para desconectar el aparato de la toma de corriente.
- ◆ Mantenga el cable de alimentación del aparato alejado de fuentes de calor, aceites y bordes afilados.
- ◆ No manipule el limpiador a vapor con las manos húmedas.
- ◆ No tire del cable ni transporte el aparato tirando del cable, no utilice el cable como un asa, no pille el cable con la puerta, no tire del cable por esquinas afiladas y no exponga el cable a superficies calientes.
- ◆ No utilice el aparato en un lugar cerrado lleno de vapor emitido por diluyentes de pintura a base de aceite, sustancias antipolillas, polvos inflamables u otros vapores explosivos o tóxicos.
- ◆ Compruebe el tipo de suelo con el fabricante.
- ◆ No lo utilice sobre cuero, muebles o suelos pulidos con cera, tejidos sintéticos, terciopelo ni en otros materiales delicados sensibles al vapor.

## Uso del aparato

- ◆ No abra la válvula de alivio de presión durante el uso.
- ◆ No dirija el vapor directamente a las personas, los animales, los aparatos eléctricos o las tomas eléctricas.
- ◆ No exponga el producto a la lluvia.
- ◆ No sumerja el aparato en agua.
- ◆ No deje el aparato desatendido.



**¡Advertencia!** No lo utilice sobre suelos de madera o suelos laminados sin sellar. En superficies que han sido tratadas con cera o en algunos suelos sin cera, es posible que el calor y la acción del vapor acaben con el brillo. Antes de proceder, se recomienda siempre realizar una prueba en una zona aislada de la superficie que se va a limpiar. Es recomendable asimismo que consulte las instrucciones de uso y de cuidado del fabricante del suelo.

- ◆ No introduzca nunca productos desoxidantes, aromáticos, alcohólicos o detergentes en el limpiador a vapor, puesto que podría dañarse o funcionar de forma peligrosa.
- ◆ Si el disyuntor de su hogar se activa mientras está usando la función de vapor, deje de utilizar el aparato inmediatamente y póngase en contacto con el centro de atención al cliente. (Tenga cuidado con el riesgo de descarga eléctrica.)
- ◆ El aparato emite vapor muy caliente para limpiar el área de uso. Por este motivo la cabeza de vapor, las almohadillas limpiadoras y los accesorios se calientan mucho durante su uso.

**¡Cuidado!** Utilice siempre un calzado adecuado cuando maneje la mopa de vapor y cuando le cambie los accesorios.

No utilice zapatillas o calzado abierto.

- ◆ Es posible que, al utilizar el aparato, la tapa se caliente.
- ◆ Es posible que la superficie de la boquilla se caliente durante el uso
- ◆ Es posible que se escape vapor del aparato durante el uso. Debe tenerse especial cuidado al utilizar este aparato. Mientras utiliza el aparato, **NO** toque las piezas que pueden calentarse.
- ◆ Si nota que sale vapor del cuerpo de la mopa de vapor, apague la unidad, desenchúfela de la toma de corriente y espere a que se enfríe. Póngase en contacto con su agente de servicio técnico más cercano.
- ◆ Si nota que sale vapor de la válvula de alivio de presión (21), apague la unidad, desconéctela de la red eléctrica, espere una hora a que el aparato se enfríe, y solo entonces desenrosque la válvula. Compruebe el estado de la junta de la válvula de alivio de presión. Si la junta está en buenas condiciones, vuelva a enroscarla completamente hasta dejarla bien apretada. Si sigue saliendo vapor de la tapa, contacte con nuestro centro de reparación autorizado más cercano. **NO SIGA USANDO EL APARATO.**

### Después del uso

- ◆ Desenchufe el aparato y espere a que se enfríe antes de limpiarlo.
- ◆ Cuando no utilice el aparato, guárdelo en un lugar seco.

- ◆ Los niños no deberían poder acceder a los aparatos guardados.
- ◆ Después de apagar la unidad, queda vapor residual bajo presión en la manguera. Deje que la unidad se enfríe antes de apretar el gatillo

- ◆ Nunca intente extraer ni sustituir ninguna pieza que no esté especificada en este manual.

## Inspecciones y reparaciones

- ◆ Antes de realizar cualquier operación de mantenimiento o de reparación, primero debe desenchufar el aparato y esperar a que se enfríe.
- ◆ Desenchufe el aparato y deje que se enfríe, y compruebe que no expulse vapor al apretar el gatillo de vapor del mango de vapor (11) antes de desenroscar la válvula de alivio (21). Nunca debe desenroscar la válvula de alivio antes de que el aparato se enfríe y no salga más vapor. Vuelva a enroscar la válvula de alivio completamente y apriétela bien después del mantenimiento.
- ◆ Antes de utilizar el aparato, compruebe que no tenga piezas dañadas o defectuosas. Compruebe que no haya piezas rotas, que los interruptores no estén dañados y que no tenga otros defectos que puedan afectar al funcionamiento del aparato.
- ◆ Compruebe con regularidad que el cable de alimentación no ha sufrido daños.
- ◆ No utilice el aparato si presenta alguna pieza dañada o defectuosa.
- ◆ Solicite al servicio técnico autorizado la reparación o sustitución de las piezas dañadas o defectuosas.

## Riesgos residuales

El uso de esta herramienta puede producir riesgos residuales adicionales no incluidos en las advertencias de seguridad adjuntas. Estos riesgos se pueden generar por un uso incorrecto, demasiado prolongado, etc. El cumplimiento de las normas de seguridad correspondientes y el uso de dispositivos de seguridad no evitan ciertos riesgos residuales. Dichos riesgos incluyen:

- ◆ Lesiones producidas por el contacto con piezas móviles.
- ◆ Lesiones producidas por el contacto con piezas calientes.
- ◆ Lesiones producidas al cambiar cualquier pieza o accesorio.
- ◆ Lesiones producidas al usar el aparato por un tiempo demasiado prolongado. Si utiliza un aparato durante períodos de tiempo demasiado prolongados, asegúrese de realizar pausas con frecuencia.

## Seguridad eléctrica



**¡Advertencia!** Este producto debe conectarse a una toma de tierra. Compruebe siempre que el voltaje suministrado corresponda al indicado en la placa de características.

El enchufe de la herramienta eléctrica debe corresponder a la toma de corriente utilizada.

No modifique nunca el enchufe de ninguna forma.

Los enchufes no modificados y las tomas de corriente correspondientes reducen el riesgo de descarga eléctrica.

- ◆ Si se daña el cable de alimentación, debe ser sustituido por el fabricante o por un centro de asistencia técnica autorizado de BLACK+DECKER, para evitar cualquier situación de riesgo.

## Cables de prolongación y producto de clase 1

- ◆ El cable de 3 núcleos debe utilizarse cuando el aparato esté conectado a una toma de tierra y cumpla con la clase 1.
- ◆ Utilice siempre un cable de prolongación adecuado para la entrada de corriente de este aparato (consulte la ficha técnica). Se puede utilizar un cable de prolongación 1,50 mm<sup>2</sup> y de hasta 30 m sin pérdida de rendimiento del producto. Antes de utilizar el cable de prolongación, compruebe que no esté dañado, gastado o deteriorado. Si está dañado o defectuoso, sustitúyalo. Si utiliza un carrete de cable, desenrolle siempre el cable completamente.

## Etiquetas del aparato

Los siguientes pictogramas están colocados junto al código en el aparato.



**¡CUIDADO!** Vapor caliente



Lavar a 60 °C. No utilizar lejía ni suavizante.



**¡CUIDADO!** Superficie caliente

## Características

Este aparato incluye una o más de las siguientes características.

1. Interruptor de encendido/apagado
- 1a. Luz indicadora roja - Luz de advertencia que el depósito de agua está vacío
- 1b. Luz indicadora verde - Luz de listo para vapor
- 1c. Luz indicadora blanca - Indicador de encendido
2. Unidad principal
3. Depósito de agua
4. Compartimento de almacenamiento de accesorios
- 5a. Tubo de prolongación A
- 5b. Tubo de prolongación B
6. Cabeza para suelos con gancho de almacenamiento
7. Placa extractora de papel de pared (suministrada solo con la unidad BHSMP2314)
8. Concentrador de vapor
9. Boquillas de mano (2, suministradas con la unidad BHSMP2314)
10. Boquilla en forma de L
11. Mango de vapor
- 11a. Botón deslizante de bloqueo
- 11b. Gatillo del mango de vapor
12. Escobilla de goma
13. Cufias para la boquilla de mano (2, suministradas con la unidad BHSMP2314)
14. Almohadillas para suelos (2, suministradas con la unidad BHSMP2314)
15. Cepillo redondo (2, suministrados con la unidad BHSMP2314)
16. Cepillo de cobre (Suministrado solo con la unidad BHSMP2314)
17. Manguera flexible
18. Trabas de la boquilla del mango
19. Chaveta de la escobilla de goma
20. Ganchos traseros de la escobilla de goma
21. Válvula de alivio de presión

## Montaje



**¡Advertencia!** Antes de llevar a cabo cualquiera de las siguientes instrucciones, asegúrese de que el aparato está apagado, desenchufado y frío, y de que no contenga agua.

### Colocación de la extensión para suelos en la cabeza para limpieza de suelos (Fig. A)

- ◆ Empuje el tubo de prolongación B (5b) en la cabeza para suelos (6) asegurándose de haga clic al encajar de forma segura en su posición, como se muestra en la figura A.

### Colocación de la manguera de mano en la extensión para suelos (Fig. A)

- ◆ Empuje firmemente el mango de vapor (11) en el tubo de prolongación A (5a) comprobando que haga clic al encajar en su posición.
- ◆ Conecte el tubo de prolongación A (5a) al tubo de prolongación B (5b)

**¡Advertencia!** Inspeccione la junta entre el punto de conexión del mango de vapor (11) y los tubos de prolongación (5a y 5b) antes de cada uso. Si la junta no ajusta bien o está dañada, póngase en contacto con su agente de servicio técnico autorizado más cercano. No utilice el aparato.

### Colocación de la almohadilla limpiadora (Fig. B)

Las almohadillas limpiadoras de repuesto están disponibles en el distribuidor de BLACK+DECKER más cercano (cat. n.º FSMP20-XJ).

- ◆ Coloque una almohadilla limpiadora (14) en el suelo con el velcro con fibras en bucle hacia arriba.
- ◆ Empuje suavemente la mopa de vapor hacia abajo sobre la almohadilla limpiadora.

**¡Cuidado!** Durante un imprevisto, no deje nunca la mopa de vapor en el mismo sitio sobre ningún tipo de superficie, aunque sea por poco tiempo. Coloque siempre la mopa de vapor con el mango en posición vertical cuando esté parada y asegúrese de que esté apagada cuando no la use.

### Extracción de la almohadilla limpiadora

**¡Cuidado!** Utilice siempre un calzado adecuado cuando cambie la almohadilla limpiadora de la mopa de vapor.

No utilice zapatillas o calzado abierto.

- ◆ Vuelva a colocar la mopa de vapor en posición vertical y coloque el interruptor de la mopa de vapor en posición de apagado.
- ◆ Espere a que la mopa de vapor se enfríe (aproximadamente 5 minutos).
- ◆ Levante la mopa de vapor de la almohadilla limpiadora (14) y libérela de la sujeción de velcro ejerciendo peso sobre la lengüeta de extracción de la almohadilla limpiadora (14a).

### Colocación / remoción del depósito de agua (Fig. C, D)

**¡Nota!** Llene el depósito de agua (3) con agua corriente limpia (no use productos químicos ni aditivos).

**¡Nota!** En zonas con agua dura, se recomienda el uso de agua desionizada.

- ◆ Deslice el depósito de agua (3) hacia arriba alejándolo de la unidad principal de la mopa de vapor (2).
- ◆ El depósito de agua para sacarse para llenarlo con agua corriente.
- ◆ Levante la tapa (3a) para llenarlo.

**¡Advertencia!** Para llenar el depósito de agua (3), manténgalo en posición vertical con la tapa (3a) levantada.

**¡Advertencia!** La capacidad del depósito de agua es de 1.2 litros. No llene en exceso el depósito.

- ◆ Cierre la tapa (3a).

**¡Nota!** Compruebe que la tapa de llenado esté bien cerrada.

### Colocación del depósito de agua

- ◆ Deslice el depósito de agua (3) hacia abajo usando las nervaduras para ubicarlo en la unidad principal (2) y compruebe que quede firmemente asentado y sellado.

### Encendido y apagado (Fig. E)

- ◆ Para encender el aparato, pulse el botón de encendido y apagado (1). La luz blanca (1c) se enciende cuando el aparato está encendido y la caldera se está calentando. La luz verde (1b) se enciende cuando la caldera llega a la temperatura apropiada, el usuario debe apretar el gatillo del mango de vapor (11b) para generar vapor.
- ◆ Para apagar el aparato, pulse el botón de encendido y apagado (1).

**¡Cuidado!** Durante un imprevisto, no deje nunca la mopa de vapor en el mismo sitio sobre ningún tipo de superficie, aunque sea por poco tiempo.

Coloque siempre la mopa de vapor con el mango en posición vertical cuando esté parada y asegúrese de que esté apagada cuando no la use.

**¡Cuidado!** Vacíe siempre el depósito de agua después del uso.

**¡Nota!** Puede que tarde hasta 180 segundos en producir vapor al llenarlo por primera vez o después de que se acabe el agua.

Superficie superior del suelo	Ajuste
Madera/Laminado	Ajuste de vapor bajo/mín.
Baldosas/Vinilo	Ajuste de vapor medio
Piedra/Mármol	Ajuste de vapor alto/máx.
Accesorios	Ajuste
Cepillo para juntas	Ajuste de vapor alto/máx.
Cepillo pequeño	Ajuste de vapor alto/máx.
Cepillo pequeño con cerdas de cobre	Ajuste de vapor alto/máx.
Escobilla de goma para ventana / ropa	Ajuste de vapor bajo/mín.
Accesorio para papel de pared	Ajuste de vapor alto/máx.



**Nota:** Asegúrese de aplicar siempre el ajuste de vapor correcto antes de usar la mopa de vapor.

### Interfaz de usuario de vapor

Esta mopa de vapor está equipada con un panel de interfaz de usuario de vapor que muestra 3 luces indicadoras (1a, 1b y 1c). Se utilizan para seleccionar el modo de funcionamiento correcto para cada trabajo de limpieza en particular.

- ◆ Pulse el botón de encendido/apagado (1) para encender la unidad.
- ◆ La luz indicadora blanca (1c) se enciende cuando la unidad está encendida y la caldera se está calentando.
- ◆ La luz indicadora verde (1b) se enciende cuando la unidad está a temperatura y lista para usar.
- ◆ El usuario debe deslizar el botón de bloqueo (11a) del mango de vapor (11) desde la posición de bloqueo.
- ◆ Apriete el gatillo (11b) del mango de vapor (11) para generar vapor.
- ◆ Después del uso, vuelva a deslizar el botón de bloqueo (11a) del mango de vapor (11) hacia la posición de bloqueo.
- ◆ La luz indicadora izquierda (1a) se enciende cuando el depósito de agua (3) está vacío, saque el depósito de agua (3) y llénelo de agua.
- ◆ Para apagar el aparato, pulse el botón de encendido y apagado (1).

**Nota:** Compruebe siempre que esté utilizando el ajuste correcto antes de utilizar la mopa de vapor.

### Colocación de accesorios en el mango de vapor

**¡Advertencia!** Inspeccione la junta entre el punto de conexión del mango de vapor y los accesorios antes de cada uso. Si la junta no ajusta bien o está dañada, póngase en contacto con su agente de servicio técnico autorizado más cercano. No utilice el aparato.

**¡Advertencia!** Debe apagar la unidad antes de instalar los accesorios.

### Colocación de accesorios grandes (Fig. F)

- ◆ Los accesorios 7, 8 y 9 pueden colocarse directamente en el extremo del mango de vapor.
- ◆ Alinee el accesorio y empújelo firmemente en el mango de vapor.
- ◆ Compruebe que la función de enganche esté bloqueada en su posición para que quede sellado.

**Importante:** Todos los accesorios deben colocarse en el mango de vapor (11) para poder usar el aparato.

### Extracción de accesorios grandes

- ◆ Presione la traba y retire el accesorio del mango de vapor (11).

**¡Advertencia!** Espere a que la unidad y todos los accesorios se enfríen antes de extraerlos.

### Colocación de pequeños accesorios de cepillo

- ◆ Coloque el concentrador de vapor (8) en la boquilla de vapor.
- ◆ Los accesorios pequeños 10, 15 y 16 pueden empujarse directamente sobre el concentrador de vapor (8).
- ◆ Compruebe que el accesorio pequeño quede sellado después de empujarlo y se mantenga en su posición.

### Extracción de un accesorio pequeño 10, 15 o 16

- ◆ Retire el accesorio del concentrador de vapor (8).
- ¡Advertencia!** Espere a que la unidad y todos los accesorios se enfríen antes de extraerlos.

### Montaje de la escobilla de goma en la boquilla de mano 12, 9 (Fig. I, J, K, L)

- ◆ Coloque los ganchos traseros de la escobilla de goma (20) en las trabas de la boquilla del mango (18) como se muestra en la figura K.
- ◆ Empuje la boquilla del mango hacia abajo hasta que el cuerpo quede bloqueado por la chaveta frontal de la escobilla de goma (19), como se muestra en la figura L.

### Extracción de la escobilla de goma de la boquilla de mano

- ◆ Empuje la chaveta de la escobilla (19) hacia adelante para liberar la boquilla de mano.
- ◆ Gire la boquilla de mano y desengánchele las trabas (18) de los ganchos traseros de la escobilla (20) y retírelos uno del otro.

### Consejos para un uso óptimo

#### Información general

**Precaución:** No utilice nunca la mopa de vapor sin colocar primero una almohadilla limpiadora.

- ◆ Antes de utilizar la mopa de vapor, aspire o barra siempre el suelo.
- ◆ La manera más fácil de utilizar el aparato consiste en inclinar el tubo de la cabeza para suelos en ángulo de 45° y limpiar lentamente, cubriendo una zona pequeña por vez.
- ◆ Use agua solamente, sin ningún producto químico ni aditivos con su mopa de vapor. Para eliminar las manchas resistentes de los suelos de vinilo o linóleo, puede tratarlas con un detergente suave y un poco de agua antes de utilizar la mopa de vapor.

### Limpieza a vapor con la mopa

- ◆ Coloque el mango de vapor en la extensión para suelos.
- ◆ Coloque una almohadilla limpiadora (14) en el suelo con el velcro con fibras en bucle hacia arriba.
- ◆ Empuje suavemente la mopa de vapor hacia abajo sobre la almohadilla limpiadora (14).

- ◆ Conecte la mopa de vapor a la corriente.
- ◆ Pulse el botón de encendido y apagado (1). La caldera tarda aproximadamente 180 segundos en calentarse.
- ◆ Una vez que la caldera esté a temperatura, ajuste el flujo en el ajuste requerido y apriete el gatillo (11b) para iniciar el flujo de vapor.
- ◆ Deben transcurrir unos segundos antes de que el vapor se introduzca por la almohadilla limpiadora. Ahora la mopa de vapor podrá deslizarse con facilidad sobre la superficie que desee limpiar.
- ◆ Empuje y arrastre lentamente la mopa de vapor hacia delante y hacia atrás por la superficie para limpiar a fondo cada sección.
- ◆ Cuando haya terminado de usar la mopa de vapor, suelte el gatillo para detener el flujo de vapor, vuelva a colocarla en posición vertical, compruebe que esté apoyada y apagada. Espere a que la mopa de vapor se enfríe (aprox. 10 minutos).

**¡Cuidado!** Es importante que controle el nivel del depósito de agua. La luz indicadora roja se enciende cuando el depósito está vacío. Para llenar el depósito de agua y seguir limpiando, coloque la mopa en posición vertical y compruebe que no esté pulsado el gatillo de vapor.

**¡Cuidado!** Durante un imprevisto, no deje nunca la mopa de vapor en el mismo sitio sobre ningún tipo de superficie, aunque sea por poco tiempo. Coloque siempre la mopa de vapor con el mango en posición vertical cuando esté parada y asegúrese de que esté apagada cuando no la use.

## Después del uso

- ◆ Espere a que la mopa de vapor se enfríe.
- ◆ Desenchufe la mopa de vapor de la toma de corriente de pared.
- ◆ Vacíe el depósito de agua.
- ◆ Extraiga la almohadilla limpiadora (14) y lávela para tenerla lista para el próximo uso (tenga cuidado de seguir las instrucciones de lavado impresas en la almohadilla limpiadora).

## Accesorios

El rendimiento del aparato depende de los accesorios que utilice. Los accesorios de BLACK+DECKER han sido fabricados siguiendo estándares de alta calidad y han sido diseñados para mejorar el funcionamiento del aparato. Con estos accesorios, sacará el máximo provecho a su equipo.

## Limpieza a vapor de prendas (Fig. G)

- ◆ Conecte la boquilla de mano (9) al mango de vapor (11).
- ◆ Conecte la cufia de la boquilla de mano (13) alrededor de la boquilla de mano (9).

**¡Nota!** La boquilla de mano (9) no debe usarse sin la cufia de la boquilla de mano (13).

- ◆ Conecte la mopa de vapor a la corriente.
- ◆ Pulse el botón de encendido y apagado (1).

La luz indicadora verde se enciende cuando la caldera alcanza la temperatura adecuada.

**¡Nota!** Puede que tarde hasta 180 segundos en producir vapor al llenarla por primera vez o después de que se acabe el agua.

- ◆ Una vez que la caldera alcance la temperatura adecuada, presione el botón de configuración de vapor requerido para iniciar el flujo de vapor.
- ◆ Cuando haya terminado de usar la mopa de vapor, pulse el botón de flujo de vapor para detener el flujo de vapor, vuelva a colocarla en posición vertical, compruebe que esté apoyada y apagada. Espere a que la mopa de vapor se enfríe (aprox. 5 minutos).

## Utilización del extractor de papel de pared

- ◆ Compruebe el estado del yeso antes de comenzar a trabajar, ya que el vapor a altas temperaturas puede despegar el yeso flojo, poroso o en mal estado. El yeso también se despegue con mayor facilidad en zonas con grietas, orificios o si se mantiene la placa de vapor en una posición durante demasiado tiempo.
- ◆ Puede detectar las áreas en las que el yeso se encuentra débil si toca unas cuantas zonas de las paredes con los nudillos. Si se produce un sonido hueco, es recomendable proceder con extremo cuidado.
- ◆ En todo caso, pruebe el extractor de papel de pared en áreas pequeñas de aproximadamente 100 cm<sup>2</sup> antes de comenzar el trabajo.
- ◆ Si en algún momento se desprende el yeso de acabado o escucha un chasquido, no continúe. El extractor de papel de pared puede utilizarse de manera segura en superficies de yeso/placa de yeso.
- ◆ Debido al calor generado por este producto, es posible que se produzcan daños o marcas en determinadas superficies, por ejemplo, alfombras, asientos mullidos, tableros de mesas, armarios, etc. Para evitar esto, asegúrese de colocar una placa de madera u otra barrera debajo de la caldera para evitar que el calor dañe la superficie. La utilización de guardapolvos o periódicos no resulta adecuada para este propósito.
- ◆ Para obtener los mejores resultados posibles, extraiga el papel de la pared con un raspador. Raspe el papel de pared en dirección hacia abajo.
- ◆ Lleve siempre protección para retirar el papel de pared del techo. Tenga cuidado con la condensación acumulada en la placa de vapor porque es posible que gotee agua caliente. Vacíe la placa de vapor con regularidad y no la utilice nunca directamente por encima de la cabeza.
- ◆ Coloque siempre la placa de vapor en un recipiente adecuado cuando quede desatendida, aunque sea durante unos segundos, y manténgala orientada en dirección contraria a usted durante el uso.

## Almacenamiento de los accesorios (Fig. H)

Los accesorios pequeños junto con la cabeza para suelos se guardan en la parte trasera de la unidad.

La cabeza para suelos y el tubo pueden colocarse en el almacenamiento de accesorios (4). Coloque el gancho en la parte posterior de la cabeza para suelos (6) y deslícelo en la ranura provista en el almacenamiento como se muestra (Fig. H). Empújelo firmemente hacia abajo y compruebe que la cabeza para suelos y el tubo estén estables antes de soltarlo.

## Protección del medioambiente



Recogida selectiva. Los productos y las baterías marcadas con este símbolo no se deben desechar junto con los residuos domésticos normales.

Los productos y las baterías que contienen materiales que se puedan recuperar o reciclar reducen la demanda de materias primas. Recicle los productos eléctricos y las baterías de conformidad con las normas locales. Puede obtener más información en [www.2helpU.com](http://www.2helpU.com)

## Datos técnicos

		BHSMP2008 Tipo 1	BHSMP2314 Tipo 1
Tensión	V <sub>ca</sub>	230	230
Potencia	W	2000	2300
Capacidad del depósito	ml	1200	1200
Peso	kg	5,9	6,1

## Resolución de problemas

Si nota que el aparato no funciona bien, siga las instrucciones que se indican a continuación. Si no se resuelve el problema, póngase en contacto con un técnico autorizado de BLACK+DECKER. Encontrará los datos de su agente de servicio BLACK+DECKER más próximo en el sitio web [www.2helpU.com](http://www.2helpU.com)

Problema	Paso	Posible solución
La mopa no se apaga	1.	Compruebe que la unidad esté enchufada en una toma de corriente de pared
	2.	Compruebe que el aparato esté encendido usando el interruptor de apagado y encendido (1)
	3.	Compruebe el fusible del enchufe
La mopa no genera vapor	4.	La mopa de vapor produce vapor solo después de encender la unidad. La luz indicadora blanca se ilumina cuando la alimentación está encendida. La luz indicadora verde se ilumina cuando la caldera está a temperatura y después de pulsar el gatillo de flujo de vapor
	5.	Compruebe que el depósito de agua esté lleno. Si la luz indicadora roja está encendida, el depósito está vacío. Nota: Cuando se llena por primera vez o después de consumirse el agua, demora para calentarse; la luz indicadora verde se ilumina cuando la caldera está a la temperatura adecuada.
	6.	Compruebe los pasos 1, 2, 3 y 4.

Problema	Paso	Posible solución
La mopa deja de producir vapor durante el uso	7.	Compruebe los pasos 4, 5 y 3.
La mopa de vapor produce demasiado vapor durante el uso	8.	La unidad tiene ajustes de flujo de vapor variables. Ajuste el flujo de vapor en vapor bajo girando el botón del mango de vapor.
La mopa produce demasiado poco vapor durante el uso	9.	La unidad tiene ajustes de flujo de vapor variables. Ajuste el flujo de vapor en vapor alto girando el botón del mango de vapor.
¿Dónde puedo obtener más información/ accesorios?	10.	<a href="http://www.blackanddecker.co.uk">http://www.blackanddecker.co.uk</a> <a href="http://www.blackanddecker.ie">http://www.blackanddecker.ie</a>

## Mantenimiento

Su herramienta BLACK+DECKER ha sido diseñada para funcionar durante un largo período de tiempo con un mantenimiento mínimo. El funcionamiento satisfactorio continuo depende del buen cuidado de la herramienta y de su limpieza periódica.



¡Advertencia! Antes de realizar el mantenimiento a la herramienta.

- ◆ Limpie el aparato con un paño suave y húmedo.
- ◆ En caso de manchas resistentes, puede humedecer el paño en una solución suave de jabón y agua.

## Garantía

Black & Decker confía en la calidad de sus productos y ofrece a los consumidores una garantía de 24 meses a partir de la fecha de compra. Esta garantía es adicional a sus derechos legales y no los menoscaba en modo alguno. La garantía es válida en los territorios los Estados Miembros de la Unión Europea, el Área de Libre Comercio Europea y Reino Unido. Para reclamar la garantía, deberá formular la reclamación de conformidad con las condiciones de Black & Decker, presentando el comprobante de compra al vendedor o al agente técnico autorizado. Puede obtener las condiciones de la garantía de 2 años de Black & Decker y la ubicación de su agente técnico autorizado más próximo en el sitio [www.2helpU.com](http://www.2helpU.com) o poniéndose en contacto con su oficina local de Black & Decker en la dirección que se indica en este manual.

Visite nuestro sitio web [www.blackanddecker.co.uk](http://www.blackanddecker.co.uk) para registrar su nuevo producto Black & Decker y recibir noticias sobre nuevos productos y ofertas especiales.

### Utilização prevista

As mopas a vapor BHSMP2008 e BHSMP2314 da BLACK+DECKER são concebidas para limpar madeira dura envernizada, laminado selado, linóleo, vinil, telha cerâmica, pedra e pisos de mármore. Estes equipamentos são concebidos apenas para utilização doméstica.

## Instruções de segurança



**Atenção! Leia todos os avisos de segurança e todas as instruções.** O não cumprimento dos seguintes avisos e instruções pode resultar em choque eléctrico, incêndio e/ou ferimentos graves.



**Atenção!** Quando utilizar equipamentos eléctricos, deve sempre cumprir as medidas de segurança básicas, incluindo as que se seguem, de modo a reduzir os riscos de incêndio, choque eléctrico, ferimentos e danos materiais.

- ◆ A utilização prevista para este equipamento está descrita no manual.
- ◆ A utilização de qualquer acessório ou a execução de qualquer operação com este equipamento que não esteja incluída no presente manual de instruções pode representar um risco.
- ◆ Guarde este manual para referência futura.
- ◆ O equipamento pode ser utilizado por pessoas que apresentem capacidades físicas, sensoriais ou mentais reduzidas ou que não possuam os conhecimentos e a experiência necessários, se forem vigiadas e instruídas acerca da

utilização do equipamento de maneira segura e compreenderem os perigos envolvidos. As crianças não devem mexer no equipamento.

- ◆ As crianças devem ser vigiadas para que não mexam no equipamento.
- ◆ Antes de proceder à limpeza ou manutenção do equipamento, deve retirar a ficha da tomada de parede.
- ◆ O líquido ou o vapor não devem ser direccionados para equipamento que contenha componentes eléctricos, como, por exemplo, o interior de fornos.
- ◆ Deve ter cuidado quando utilizar o equipamento devido à emissão de vapor.
- ◆ Mantenha o equipamento e o respectivo cabo afastado de crianças com menos de 8 anos quando for ligado à corrente ou arrefecer.
- ◆ Se o cabo de alimentação estiver danificado, terá de ser substituído pelo fabricante, técnico de assistência ou por pessoas com as mesmas habilitações de modo a evitar situações de perigo.
- ◆ O equipamento não deve permanecer sem assistência quando estiver ligado à alimentação.
- ◆ O equipamento não deve ser utilizado se tiver sofrido uma queda, se houver sinais visíveis de danos ou se tiver.
- ◆ Mantenha o equipamento afastado do alcance das crianças quando estiver a carregar ou a arrefecer.
- ◆ A abertura de enchimento não deve ser aberta durante a utilização.

## Utilizar o equipamento

- ◆ Não abra a válvula de alívio da pressão durante a utilização.
- ◆ Não oriente o vapor para pessoas, animais, equipamentos eléctricos ou tomadas.
- ◆ Não exponha o equipamento à chuva.
- ◆ Não mergulhe o equipamento em água.
- ◆ Não deixe o equipamento sem vigilância.
- ◆ Não deixe o equipamento ligado a uma tomada eléctrica quando não estiver a ser utilizado.
- ◆ Nunca puxe pelo cabo de alimentação para desligar o equipamento da tomada.
- ◆ Mantenha o equipamento afastado do calor, óleo e arestas afiadas.
- ◆ Não pegue na máquina de limpeza a vapor com as mãos molhadas.
- ◆ Não puxe nem transporte pelo cabo, não o utilize como pega, não o entale nas portas, não o puxe em torno de arestas agudas nem o exponha a superfícies aquecidas.
- ◆ Não utilize o equipamento num espaço fechado e cheio de vapor emitido por diluente à base de óleo, algumas substâncias anti-traças, poeiras inflamáveis ou outros vapores explosivos ou tóxicos.
- ◆ Verifique o tipo de chão junto do fabricante.
- ◆ Não utilize em peles, mobiliário ou chãos encerados, tecidos sintéticos, veludo ou outros materiais delicados e sensíveis ao vapor.



- Atenção!** Não utilize em chãos de madeira ou laminado não selados. Em superfícies que tenham sido tratadas com cera ou em alguns chãos não encerados, o brilho poderá ser removido por acção do calor e do vapor. Antes de iniciar a limpeza, é sempre recomendável efectuar um teste numa área isolada da superfície a limpar. Também recomendamos que consulte as instruções de utilização e manutenção do fabricante do chão.
- ◆ Nunca utilize produtos de desincrustação, aromáticos, alcoólicos ou detergentes na máquina de limpeza a vapor, uma vez que a poderão danificar ou tornar a sua utilização perigosa.
  - ◆ Se o disjuntor doméstico disparar durante a utilização da função de vapor, suspenda de imediato a utilização do produto e contacte o centro de apoio ao cliente. (Atenção ao risco de choque eléctrico.)
  - ◆ O equipamento emite vapor muito quente para limpar a área de utilização. Isto significa que a cabeça de vapor, panos de limpeza e acessórios aquecem muito durante a utilização.

**Cuidado!** Calce sempre sapatos adequados quando utilizar a mopa a vapor ou substituir os acessórios da mesma. Não calce chinelos ou sandálias.

- ◆ A tampa pode aquecer durante a utilização.
- ◆ A superfície do bocal pode ficar quente durante a utilização
- ◆ Poderá haver libertação de vapor durante a utilização do equipamento. Deverá ter cuidado ao utilizar o equipamento. **NÃO** toque em nenhuma peça que possa aquecer durante a utilização.
- ◆ Se houver libertação de vapor do corpo da mopa a vapor, desligue e desconecte a unidade da alimentação principal, deixando-a arrefecer. Contacte o técnico de reparação autorizado mais próximo.
- ◆ Se houver libertação de vapor da válvula de alívio da pressão (21), desligue a unidade, desconecte a unidade da rede eléctrica, aguarde uma hora até o equipamento arrefecer e, em seguida, desaperte-a. Verifique o estado do vedante na válvula de alívio da pressão. Se o vedante estiver em boas condições, aperte-o por completo até ficar bem fixado. Se continuar a sair vapor da tampa, contacte o nosso centro de reparação autorizado mais próximo.

**NÃO CONTINUE A UTILIZAR O EQUIPAMENTO.**

## Após a utilização

- ◆ Desligue o equipamento e deixe-o arrefecer antes de o limpar.
- ◆ Quando não estiver a ser utilizado, o equipamento deve ser armazenado num local seco.
- ◆ As crianças não devem ter acesso a equipamentos armazenados.
- ◆ O vapor residual está sob pressão na mangueira quando a unidade está desligada. Aguarde até a unidade arrefecer e depois carregue no gatilho

## Inspeção e reparações

- ◆ Antes de executar qualquer manutenção ou reparação, desligue o equipamento da tomada e deixe-o arrefecer.
- ◆ Desligue o equipamento e aguarde até arrefecer. Verifique se não há saída de vapor no sistema, activando o gatilho de vapor na pega de vapor (11) antes de desapertar a válvula de alívio de pressão (21). A válvula de alívio de pressão nunca deve ser desapertada até o equipamento arrefecer e não deve haver vapor no sistema. Volte a apertar a válvula por completo até ficar bem fixa depois de efectuar a manutenção. Volte a apertar a válvula por completo até ficar bem fixa depois de efectuar a manutenção.
- ◆ Antes da utilização, verifique a existência de peças danificadas ou avariadas no equipamento.

Verifique se há peças partidas, danos nos interruptores ou outro tipo de situações que possam afectar o funcionamento.

- ◆ Verifique regularmente se o cabo de alimentação apresenta danos.
- ◆ Não utilize o equipamento se alguma das peças se encontrar danificada ou avariada.
- ◆ Mandar reparar ou substituir quaisquer peças danificadas ou avariadas por um técnico de reparação autorizado.
- ◆ Nunca tente retirar ou substituir quaisquer peças que não as especificadas neste manual.

## Riscos residuais

Podem surgir riscos residuais adicionais durante a utilização da ferramenta, que podem não constar nos avisos de segurança incluídos. Estes riscos podem resultar de má utilização, uso prolongado, etc. Mesmo com a aplicação das regulamentações de segurança relevantes e implementação de dispositivos de segurança, existem alguns riscos residuais que não podem ser evitados. Estes incluem:

- ◆ Ferimentos causados pelo contacto com peças em movimento.
- ◆ Ferimentos causados pelo contacto com peças quentes.
- ◆ Ferimentos causados durante a troca de peças ou acessórios.
- ◆ Ferimentos causados pela utilização prolongada do equipamento.

Quando utilizar um equipamento durante um período prolongado, faça pausas regulares.

## Segurança eléctrica



**Atenção!** Este produto deve ter ligação à terra. Verifique sempre se a tensão da tomada de electricidade corresponde à tensão indicada na placa com os requisitos de alimentação da ferramenta.

As fichas eléctricas devem encaixar na tomada.

Nunca modifique a ficha de forma alguma.

As fichas não modificadas e as tomadas compatíveis reduzem o risco de choque eléctrico.

- ◆ Se o cabo de alimentação estiver danificado, deve ser substituído pelo fabricante ou por um centro de assistência autorizado da BLACK+DECKER para evitar acidentes.

## Extensões e produto de classe 1

- ◆ Deve ser utilizado um cabo de 3 condutores dado que o seu equipamento tem ligação à terra e pertence à Classe 1.
- ◆ Utilize sempre uma extensão aprovada e adequada para a potência deste equipamento (ver dados técnicos). Pode utilizar uma extensão de 1,50 mm<sup>2</sup> até 30 m sem perda do desempenho do produto.



Antes de utilizar, verifique se a extensão apresenta sinais de envelhecimento, danos ou desgaste. Substitua a extensão se estiver danificada ou avariada. Ao utilizar uma bobina de cabo, desenrole sempre o cabo na íntegra.

## Etiquetas no equipamento

Os seguintes pictogramas, assim como o código de data, estão indicados na ferramenta.



**CUIDADO!** Vapor quente



Lave a 60 °C. Não utilize lixívia ou amaciador



**CUIDADO!** Superfície quente

## Acessórios

Este equipamento inclui todos ou parte dos seguintes acessórios.

1. Interruptor para ligar/desligar
- 1a. Luz indicadora vermelha - luz de aviso de fornecimento de água
- 1b. Luz indicadora verde - luz de vapor pronta
- 1c. Luz indicadora branca - indicador de alimentação
2. Unidade principal
3. Reservatório de água
4. Compartimento de acessórios
- 5a. Tubo de extensão A
- 5b. Tubo de extensão B
6. Escova de aspiração com gancho de armazenamento
7. Placa de remoção de papel de parede (fornecida apenas com a unidade BHSMP2314)
8. Concentrador de vapor
9. Bocal manual (2 fornecidas com a unidade BHSMP2314)
10. Bocal em forma de L
11. Pega de vapor
- 11a. Patilha de desbloqueio
- 11b. Gatilho do punho do vapor
12. Roda
13. Meia do bocal manual (2 fornecidas com a unidade BHSMP2314)
14. Disco de limpeza de pisos (2 fornecidas com a

unidade BHSMP2314)

15. Escova redonda (2 fornecidas com a unidade BHSMP2314)
16. Escova de cobre (fornecida apenas com a unidade BHSMP2314)
17. Tubo flexível
18. Patilhas do bocal da pega
19. Mola do rodo
20. Ganchos traseiros do rodo
21. Válvula de alívio da pressão

## Montagem



**Atenção!** Antes de tentar seguir qualquer das seguintes instruções, certifique-se de que o equipamento está desligado e que a respectiva ficha não está ligada à corrente eléctrica, se encontra à temperatura ambiente e não contém água.

### Fixar a extensão para o chão na cabeça de limpeza do chão (Fig. A)

- ◆ Empurre o tubo de extensão B (5b) na direcção da escova de aspiração (6) e verifique se fica encaixado correctamente, como indicado na Figura A.

### Encaixar a unidade de mangueira portátil na extensão para o chão (Fig. A)

- ◆ Empurre a extensão para o chão (11) com firmeza no tubo de extensão (5a) e verifique se encaixa com firmeza no respectivo local.
- ◆ Ligue o tubo de extensão A (5a) no tubo de extensão B (5b)

**Atenção!** Verifique o vedante entre o ponto de ligação na pega de vapor (11) e os tubos de extensão (5a e 5b) antes de cada utilização. Se o vedante avariar ou estiver danificado, contacte o seu técnico de reparação autorizado mais próximo. Não utilize o equipamento.

### Colocar um pano de limpeza (Fig. B)

Encontram-se disponíveis panos de limpeza sobresselentes no seu agente BLACK+DECKER (cat. nº. FSMP20-XJ).

- ◆ Coloque um pano de limpeza (14) no chão com o lado de "gancho" com velcro para cima.
- ◆ Carregue ligeiramente na mopa a vapor para baixo sobre o pano de limpeza.

**Cuidado!** Nunca deixe a mopa a vapor no mesmo ponto de uma superfície durante muito tempo. Quando não a estiver a utilizar, coloque sempre a mopa a vapor na posição vertical, certificando-se de que se encontra desligada.

### Remover um pano de limpeza

**Cuidado!** Calce sempre sapatos adequados ao mudar o pano de limpeza da mopa a vapor.

Não calce chinelos ou sandálias.

- ◆ Volte a colocar a mopa a vapor na posição vertical e desligue a mopa a vapor.

- ◆ Aguarde até a mopa a vapor arrefecer (cerca de 5 minutos).
- ◆ Afaste a mopa a vapor do pano de limpeza (14), libertando-a do fecho de velcro, quando colocar peso sobre a patilha de remoção do pano de limpeza (14a).

### Fixar/remover o reservatório de água (Fig. C, D)

**Nota!** Encha o reservatório de água (3) com água limpa da torneira (não utilize aditivos ou produtos químicos).

**Nota!** Em zonas de água dura, recomendamos a utilização de água desionizada.

- ◆ Puxe o reservatório de água (3) para cima e afaste-o da unidade principal da mopa a vapor (2).
- ◆ Pode encher o reservatório de água com água da torneira.
- ◆ Levante a tampa (3a) para enchê-lo.

**Atenção!** Quando encher, mantenha o reservatório de água (3) na vertical com a tampa (3a) virada para cima.

**Atenção!** O reservatório de água tem uma capacidade de 1,2 litros. Não encha o reservatório demasiado.

- ◆ Feche a tampa (3a).

**Nota!** Certifique-se de que a tampa está bem fixada.

### Montar o reservatório de água

- ◆ Deslize o reservatório de água (3) para baixo, utilizando as estrias para encaixar na unidade principal (2). O reservatório de água deve estar devidamente encaixado para ficar bem vedado.

### Ligar e desligar (Fig. E)

- ◆ Para ligar o equipamento, pressione o interruptor LIGAR/DESLIGAR (1). A luz branca (1c) acende-se quando a alimentação é ligada e a caldeira começa a aquecer. A luz verde (1b) acende-se. Quando a caldeira atingir a temperatura, o utilizador deve carregar no gatilho na pega de vapor (11b) para criar vapor.
- ◆ Para desligar o equipamento, pressione o interruptor LIGAR/DESLIGAR (1).

**Cuidado!** Nunca deixe a mopa a vapor no mesmo ponto de uma superfície durante muito tempo.

Quando não a estiver a utilizar, coloque sempre a mopa a vapor na posição vertical, certificando-se de que se encontra desligada.

**Cuidado!** Esvazie sempre o reservatório de água após a utilização.

**Nota!** Quando ficar cheio pela primeira vez ou depois de ficar seco, o vapor pode demorar até 180 segundos a ser produzido

Superfície do balcão de cozinha	Regulação
Madeira/laminado	Regulação de vapor mín./reduzida
Mosaicos/vinil	Definição de vapor média
Pedra/mármore	Regulação de vapor máx./elevada

Superfície do balcão de cozinha	Regulação
<b>Acessórios</b>	<b>Regulação</b>
Escova para argamassa	Regulação de vapor máx./elevada
Escova pequena	Regulação de vapor máx./elevada
Escova pequena com cerdas de cobre	Regulação de vapor máx./elevada
Rodo para janelas/roupa	Regulação de vapor mín./reduzida
Fixação de papel de parede	Regulação de vapor máx./elevada

**Nota:** Verifique sempre se está a utilizar a definição correcta de vapor antes de utilizar a mopa a vapor.

### Interface de utilizador da mopa a vapor

Esta mopa a vapor está equipada com um painel de interface de utilizador da mopa a vapor com 3 luzes indicadoras (1a, 1b e 1c). São utilizadas para seleccionar o modo de funcionamento correcto para uma operação de limpeza específica.

- ◆ Ligue a unidade carregando no botão para ligar/desligar (1).
- ◆ A luz indicadora branca (1c) acende-se quando a alimentação é ligada e a caldeira começa a aquecer.
- ◆ A luz indicadora verde (1b) acende-se quando a unidade atinge a temperatura pretendida e está pronta para ser utilizada.
- ◆ O utilizador deve encaixar o botão de desbloqueio (11a) na pega de vapor (11) a partir da posição bloqueada.
- ◆ Carregue no gatilho (11b) na pega de vapor (11) para criar vapor.
- ◆ Depois da utilização, encaixe sempre o botão de desbloqueio (11a) na pega de vapor (11) a partir da posição bloqueada.
- ◆ A luz indicadora esquerda (1a) acende-se quando o reservatório de água (3) está vazia. Retire o reservatório de água (3) e encha com água.
- ◆ Para desligar o equipamento, carregue no interruptor para ligar/desligar (1).

**Nota:** Verifique sempre se está a utilizar a definição correcta antes de utilizar a mopa a vapor.

### Encaixar acessórios na pega de vapor

**Atenção!** Verifique o vedante entre o ponto de ligação na pega de vapor e os acessórios antes de cada utilização. Se o vedante avariar ou estiver danificado, contacte o seu técnico de reparação autorizado mais próximo. Não utilize o equipamento.

**Atenção!** A unidade deve ser desligada antes de montar os acessórios.

### Montar acessórios grandes (Fig. F)

- ◆ Os acessórios 7,8 e 9 podem ser montados directamente na extremidade da pega de vapor.
- ◆ Alinhe o acessório e empurre com firmeza para dentro da pega de vapor.

- ◆ A patilha deve estar encaixada na respectiva posição para criar um vedante

**Importante!** Todos os acessórios devem ser ligados à pega de vapor (11) para utilização.

### Remover acessórios

- ◆ Carregue na patilha e afaste o acessório da pega de vapor (11).

**Atenção!** Deixe a unidade e todos os acessórios arrefecerem antes de removê-los.

### Montar acessórios para escova pequenos

- ◆ Fixe o concentrador de vapor (8) no bocal de vapor
- ◆ Os acessórios pequenos 10,15,16 podem ser encaixados directamente no concentrador de vapor (8).
- ◆ O acessório pequeno deve ser empurrado para criar um vedante e permanecer na respectiva posição.

### Remover os acessórios pequenos 10,15,16

- ◆ Puxe o acessório do concentrador de vapor (8).

**Atenção!** Deixe a unidade e todos os acessórios arrefecerem antes de removê-los.

### Montar o rodo no bocal manual 12, 9 (Fig. I, J, K, L)

- ◆ Encaixe os ganchos traseiros do rodo (20) nas patilhas do bocal da pega (18), como indicado na Figura K.
- ◆ Empurre o bocal da pega até o corpo ficar bloqueado pela mola dianteira do rodo (19), como indicado na Figura L.

### Retirar o rodo do bocal manual

- ◆ Empurre a mola do rodo (19) para a frente para libertar o bocal manual.
- ◆ Rode o bocal manual e desencaixe as patilhas do bocal manual (18) dos ganchos traseiros do rodo (20) e afaste de ambos os lados.

### Sugestões para uma utilização óptima

#### Geral

**Atenção:** Nunca utilize a mopa a vapor sem fixar primeiro um pano de limpeza.

- ◆ aspire ou limpe sempre o chão antes de utilizar a mopa a vapor.
- ◆ A maneira mais fácil de utilizar a escova de aspiração é inclinar o tubo da escova de aspiração a um ângulo de 45° e limpar lentamente, abrangendo uma área pequena de cada vez.
- ◆ Utilize apenas água sem aditivos ou produtos químicos na mopa a vapor.

Para remover manchas persistentes em chão de vinil ou linóleo, pode efectuar um tratamento prévio com um detergente suave e um pouco de água antes de utilizar a mopa a vapor.

### Limpeza a vapor com a mopa

- ◆ Encaixe a pega de vapor na extensão para o chão.

- ◆ Coloque um pano de limpeza (14) no chão com o lado de "gancho" com velcro para cima.
- ◆ Prima ligeiramente a mopa a vapor para baixo sobre o pano de limpeza (14).
- ◆ Ligue a mopa a vapor à corrente eléctrica.
- ◆ Pressione o botão LIGAR/DESLIGAR (1). A caldeira demora cerca de 180 segundos a aquecer.
- ◆ Quando a caldeira atingir a temperatura pretendida, regule o caudal para o valor pretendido e carregue no gatilho (11b) para iniciar o fluxo de vapor.
- ◆ O vapor demora alguns segundos a entrar no pano de limpeza. A mopa a vapor desliza agora facilmente sobre a superfície a limpar.
- ◆ Empurre e puxe lentamente a mopa a vapor ao longo da superfície para limpar profundamente todas as secções do chão.
- ◆ Quando terminar a limpeza com a mopa a vapor, liberte o gatilho para parar o fluxo de vapor, volte a colocá-lo na posição vertical, certificando-se de que fica apoiada e coloque-a na posição "Desligado". Aguarde até a mopa a vapor arrefecer (cerca de 10 minutos).

**Cuidado!** É importante monitorizar o nível de água no reservatório. A luz indicadora vermelha acende-se quando o reservatório estiver vazio. Para atestar o reservatório de água e continuar a limpeza, volte a colocar a mopa na vertical, não devendo carregar no gatilho de vapor.

**Cuidado!** Nunca deixe a mopa a vapor no mesmo ponto de uma superfície durante muito tempo. Quando não a estiver a utilizar, coloque sempre a mopa a vapor na posição vertical, certificando-se de que se encontra desligada.

### Após a utilização

- ◆ Deixe a mopa a vapor arrefecer.
- ◆ Desligue a mopa a vapor da tomada eléctrica.
- ◆ Esvazie o reservatório de água.
- ◆ Retire o pano de limpeza (14) e lave-o para a próxima utilização (lea as instruções de cuidados de lavagem impressas no pano de limpeza).

### Acessórios

O desempenho do equipamento depende dos acessórios utilizados. Os acessórios BLACK+DECKER são concebidos segundo normas de elevada qualidade e desenvolvidos de modo a melhorar o desempenho do seu equipamento. Utilizando estes acessórios, tirará o melhor partido do seu equipamento.

### Limpeza de roupa a vapor (Fig. G)

- ◆ Monte o bocal manual (9) na pega de vapor (11).
- ◆ Coloque a meia do bocal manual (13) à volta do bocal manual (9).

**Nota!** O bocal manual (9) não deve ser utilizado sem a meia do bocal manual (13).

- ◆ Ligue a mopa a vapor à corrente eléctrica.

- ◆ Pressione o botão LIGAR/DESLIGAR (1). A luz indicadora verde acende-se quando a caldeira atinge a temperatura pretendida.

**Nota!** Quando ficar cheia pela primeira vez ou depois de ficar seca, o vapor pode demorar até 180 segundos.

- ◆ Quando a caldeira atingir a temperatura pretendida, carregue no botão de regulação do vapor pretendida para iniciar o fluxo de vapor.
- ◆ Quando terminar a limpeza com a mopa a vapor, carregue no botão de fluxo de vapor para parar o fluxo de vapor, volte a colocá-lo na vertical, certificando-se de que fica apoiada e coloque-a na posição "Desligado". Aguarde até a mopa a vapor arrefecer (cerca de 5 minutos).

### Utilizar o removedor de papel de parede

- ◆ Verifique o estado do estuque antes de começar o trabalho pois o vapor a alta temperatura pode soltar o estuque fraco, poroso ou mal ligado. O estuque também se solta com mais facilidade em zonas com rachas, furos ou se a placa de vapor for mantida na mesma posição demasiado tempo.
- ◆ Pode conseguir detectar se o estuque é fraco batendo ligeiramente em algumas zonas das paredes com os nós dos dedos. Se isto produzir um som oco, recomendamos que proceda apenas com extremo cuidado.
- ◆ Em qualquer caso, teste o removedor de papel de parede numa pequena área, cerca de 100 cm<sup>2</sup>, antes de começar o trabalho propriamente dito.
- ◆ Se em qualquer altura o acabamento em gesso se soltar ou se ouvir um estalo, não continue. O removedor de papel de parede é seguro para superfícies de pladur/placas de gesso cartonado.
- ◆ Devido ao calor gerado por este produto, é possível que algumas superfícies, por ex., carpetes, mobília, tampos de mesas, armários etc., possam ficar marcadas ou danificadas. Para evitar esta situação, certifique-se que é colocada uma tábua ou outra barreira por baixo da caldeira para evitar que o calor danifique a superfície. As protecções contra o pó ou os jornais não são adequados para este fim.
- ◆ Para obter melhores resultados, retire o papel de parede com uma espátula. Raspe o papel de parede num sentido descendente.
- ◆ Utilize sempre equipamento de protecção quando remover o papel de parede do tecto. Tenha cuidado com a acumulação de condensação na placa de vapor porque pode pingar água quente. Esvazie com regularidade a placa de vapor e nunca a utilize directamente por cima da cabeça.
- ◆ Coloque sempre a placa de vapor num recipiente adequado quando a deixar sem vigilância, mesmo durante alguns segundos e mantenha a placa de vapor afastada de si quando estiver a utilizá-la.

### Compartimento de acessórios (Fig. H)

Os acessórios pequenos, bem como a escova de aspiração, são armazenados na parte de trás da unidade.

A escova de aspiração e o tubo podem ser guardados no espaço de armazenamento de acessórios (4). Procure o gancho na parte de trás da escova de aspiração (6) e encaixe-o na ranhura disponível no espaço de armazenamento, como indicado na (Fig. H). Empurre com firmeza para baixo e certifique-se de que a escova de aspiração e o tubo estão estáveis antes de libertá-lo

### Proteger o ambiente



Faça uma recolha de lixo selectiva. Os produtos e as baterias assinalados com este símbolo não devem ser eliminados em conjunto com o lixo doméstico normal.

Os produtos e baterias contêm materiais que podem ser recuperados ou reciclados, reduzindo a necessidade de matérias-primas. Recicle os produtos eléctricos e as baterias de acordo com as disposições locais. Estão disponíveis mais informações em [www.2helpU.com](http://www.2helpU.com)

### Dados técnicos

		BHSMP2008 Tipo 1	BHSMP2314 Tipo 1
Tensão	V <sub>ca</sub>	230	230
Potência	A	2000	2300
Capacidade do reservatório	ml	1200	1200
Peso	kg	5,9	6,1

### Resolução de problemas

Se achar que o equipamento não está a funcionar correctamente, respeite as instruções apresentadas em seguida. Se não conseguir resolver o problema, contacte o técnico local de reparação BLACK+DECKER. Os dados sobre o seu técnico de reparação da BLACK+DECKER mais próximo estão disponíveis em [www.2helpu.com](http://www.2helpu.com)

Problema	Passo	Possível solução
A mopa a vapor não liga	1.	Verifique se a unidade está ligada à tomada de parede
	2.	Verifique se a unidade está ligada utilizando o interruptor de LIGAR/DESLIGAR (1)
	3.	Verifique o fusível na ficha
A mopa a vapor não produz vapor	4.	A mopa a vapor não produz vapor quando a unidade é ligada. A luz indicadora branca acende-se quando a alimentação é ligada. A luz indicadora verde acende-se quando a caldeira atinge a temperatura e quando carrega no gatilho do fluxo de vapor
	5.	Verifique se o reservatório de água está cheio. Se a luz indicadora vermelha se acender quando o reservatório estiver vazio. Nota: Quando a caldeira é enchida pela primeira vez ou quando fica sem água, é necessário algum tempo para aquecer. A luz indicadora verde acende-se quando a caldeira atinge a temperatura pretendida.
	6.	Verifique o passo 1 e depois o 2, o 3 e o 4

Problema	Passo	Possível solução
A mopa a vapor pára de produzir vapor durante a utilização	7.	Verifique o passo 4 e depois os passos 5 e 3
A mopa a vapor produz demasiado vapor durante a utilização	8.	A unidade tem regulações de fluxo de vapor variáveis. Regule o fluxo de vapor para um nível reduzido, rodando o botão na pega de vapor.
A mopa a vapor produz pouco vapor durante a utilização	9.	A unidade tem regulações de fluxo de vapor variáveis. Regule o fluxo de vapor para um nível elevado, rodando o botão na pega de vapor.
Onde posso obter mais informações/acessórios	10.	<a href="http://www.blackanddecker.co.uk">http://www.blackanddecker.co.uk</a> <a href="http://www.blackanddecker.ie">http://www.blackanddecker.ie</a>

**Avsedd användning**

Dina BLACK+DECKER BHSMP2008, BHSMP2314 ångmoppar har designats för rengöring av förseglat lövträ, förseglat laminat, linoleum, vinyl, keramiska plattor, sten och marmorgolv. Dessa apparater är endast avsedda för hushållsbruk inomhus.

**Säkerhetsinstruktioner**



**Varning! Läs alla säkerhetsvarningar och instruktioner.** Fel som uppstår till följd av att varningarna och instruktionerna som listas nedan inte följts kan orsaka elstötar, brand och/eller allvarliga kroppsskador.



**Varning! Vid användning av nätdrivna apparater ska allmänna säkerhetsåtgärder, inklusive följande, alltid vidtas.** Detta för att förhindra brand, elstötar, person- och materialskador.

- ◆ Användningsområdet beskrivs i den här bruksanvisningen.
- ◆ Använd inte apparaten med andra tillbehör eller tillsatser än de som rekommenderas i denna bruksanvisning eftersom detta kan leda till personskador.
- ◆ Spara den här bruksanvisningen för framtida bruk.
- ◆ Denna apparat kan användas av personer med nedsatt fysisk eller psykisk förmåga eller bristande erfarenhet eller kunskap, om de övervakas eller får instruktioner om hur apparaten används och är medvetna om riskerna.

**Manutenção**

A ferramenta BLACK+DECKER foi concebida para funcionar durante muito tempo com um mínimo de manutenção. Uma utilização continuamente satisfatória depende de uma manutenção adequada da ferramenta e de uma limpeza frequente.



Atenção! Antes de proceder a qualquer acção de manutenção na ferramenta.

- ◆ Limpe o equipamento com um pano suave humedecido.
- ◆ Para as manchas mais persistentes, pode utilizar uma solução suave de sabão e água para humedecer o pano.

**Garantia**

A Black & Decker confia na qualidade dos seus produtos e oferece aos clientes uma garantia de 24 meses a partir da data de compra. Esta garantia é um complemento dos seus direitos estabelecidos por lei, não os prejudicando de forma alguma. A garantia é válida nos territórios do Reino Unido, Estados-membros da União Europeia, da Zona Europeia de Comércio Livre e no Reino Unido.

Para accionar a garantia, esta deve estar em conformidade com os termos e condições da Black&Decker e tem de apresentar o comprovativo de compra ao vendedor ou a um técnico de reparação autorizado. Os termos e condições da garantia de 2 anos da Black&Decker e a localização do agente de reparação autorizado mais próximo podem ser obtidos na Internet em [www.2helpU.com](http://www.2helpU.com) ou contactando uma filial da Black & Decker, cuja morada está indicada neste manual.

Visite o nosso Website [www.blackanddecker.co.uk](http://www.blackanddecker.co.uk) para registar o novo produto Black & Decker e manter-se actualizado relativamente a novos produtos e ofertas especiais.

- Barn ska inte leka med apparaten.
- ◆ Barn ska hållas under uppsikt så att de inte leker med apparaten.
  - ◆ Kontakten måste dras ut ur eluttaget innan apparaten rengörs eller underhålls.
  - ◆ Vätskan eller ångan får inte riktas mot utrustning som innehåller elektriska komponenter, t.ex. de invändiga ytorna i ugnar.
  - ◆ Försiktighet bör iakttas när du använder apparaten på grund av utsläpp av ånga.
  - ◆ Förvara apparaten och dess sladd utom räckhåll för barn under 8 år när den är strömsatt eller kyls ner.
  - ◆ Om nätsladden är skadad, måste den för att undvika risker, bytas ut av tillverkaren, tillverkarens serviceombud eller av person med likartad kompetens.
  - ◆ Apparaten får inte lämnas utan uppsikt när den är ansluten till elnätet.
  - ◆ Apparaten skall inte användas om den tappats, om det finns synliga skador eller om den.
  - ◆ Förvara apparaten utom räckhåll för barn när den är strömförande eller svalnar.
  - ◆ Påfyllningsöppningen får inte öppnas under användning.

## Använda apparaten

- ◆ Öppna inte övertrycksventilen under användning.
- ◆ Rikta inte ångan direkt mot andra människor, djur, elektriska apparater eller eluttag.

- ◆ Utsätt den inte för regn.
- ◆ Doppa aldrig ned apparaten i vatten.
- ◆ Lämna inte apparaten utan uppsikt.
- ◆ Lämna aldrig apparaten ansluten till ett eluttag när den inte används.
- ◆ Dra aldrig i nätsladden när du kopplar bort apparaten från eluttaget.
- ◆ Håll apparatens sladd borta från värme, olja och vassa kanter.
- ◆ Hantera inte ångrengöraren med våta händer.
- ◆ Dra inte eller bär apparaten i sladden. Använd inte sladden som handtag, kläm inte sladden i en dörr, dra inte sladden runt skarpa hörn och utsätt aldrig sladden för varma ytor.
- ◆ Använd inte apparaten i ett slutet utrymme fyllt med ångor från oljebaserat lackthinner, vissa malmedel, lättantändligt damm eller andra explosiva eller giftiga ångor.
- ◆ Kontrollera golvtypen med tillverkaren.
- ◆ Använd inte på läder, vaxpolerade möbler eller golv, syntettyger, sammet eller andra ömtåliga eller ångkänsliga material.



**Varning!** Använd inte på oförseglade trägolv eller oförseglade laminatgolv. På ytor som har behandlats med vax eller vissa vaxfria golv, kan glansen försvinna av värmen och ångan. Det rekommenderas alltid att du testar att rengöra en begränsad yta innan du fortsätter.



Vi rekommenderar också att du kontrollerar användnings och skötselinstruktionerna från golv tillverkaren.

- ◆ Lägg aldrig i avkalkningsmedel, aromatiska ämnen, alkoholhaltiga vätskor eller rengöringsmedel i ångrengöraren eftersom det kan skada den eller göra den osäker att använda.
- ◆ Om jordfelsbrytaren utlöses när du använder ångfunktionen avbryter du genast användningen och kontaktar kundsupportcentret. (Var aktsam – risk för stötar.)
- ◆ Apparaten avger väldigt het ånga som sanerar arbetsytan. Det betyder att ånghuvudet, rengöringsdynorna och tillsatserna blir väldigt varma under användning.

**Försiktighet!** Använd alltid lämpliga skor när du använder ångmoppen och när du byter tillbehör på den. Använd inte tofflor eller öppna skor.

- ◆ Locket kan bli varmt under användning.
- ◆ Munstyckets yta kan bli hett under användning
- ◆ Ånga kan strömma ut från apparaten under användning. Försiktighet ska iakttas vid användning av apparaten. VIDRÖR INTE några delar som blir varma under användning.
- ◆ Om det kommer ånga ur den handhållna ångmoppen stänger du av den, kopplar bort den från elnätet och låter den svalna. Kontakta din närmaste auktoriserade verkstad.

- ◆ Om ånga observeras komma ut från övertrycksventilen (21), stäng av enheten, koppla bort enheten från elnätet, vänta i en timme tills apparaten har svalnat och skruva sedan loss. Kontrollera tillståndet för tätningen på övertrycksventilen. Om tätningen är i gott skick, skruva tillbaka helt till en tät passform. Om ånga fortsätter att strömma ut från locket kontakta vårt närmaste auktoriserade reparationscenter. **FORTSÄTT INTE ANVÄNDA APPARATEN.**

## Efter användning

- ◆ Koppla bort apparaten och låt den svalna innan rengöring.
- ◆ När apparaten inte används ska den förvaras på en torr plats.
- ◆ Placera apparaten på ett ställe där barn inte kan komma åt den.
- ◆ Kvarvarande ånga står under tryck i slangen när enheten stängs av. Låt enheten svalna innan du trycker på avtryckaren

## Kontroll och reparationer

- ◆ Koppla bort apparaten och låt den svalna innan du utför något underhåll eller reparationer på den.
- ◆ Koppla ur apparaten och låt svalna och kontrollera att det inte strömmar ut ånga genom att aktivera ångavtryckaren på ånghandtaget (11) innan du skruvar loss avlastningsventilen (21). Du kan inte skruva av avlastningsventilen förrän apparaten svalnat och ingen ånga kommer ut.



Skruva tillbaka och vrid helt till en tät passform efter underhåll.

- ◆ Innan användning bör du kontrollera att apparaten är hel och att inga delar är skadade. Kontrollera att inga delar är trasiga, att strömbrytaren fungerar och att inget annat föreligger som kan påverka dess funktion.
- ◆ Kontrollera regelbundet att nätsladden inte har skadats.
- ◆ Använd inte apparaten om någon del har skadats eller gått sönder.
- ◆ Reparera eller byt ut skadade eller trasiga delar på en auktoriserad verkstad.
- ◆ Försök aldrig avlägsna eller byta ut andra delar än de som anges i den här bruksanvisningen.

### Återstående risker

Ytterligare risker som inte finns med i de bifogade säkerhetsanvisningarna kan uppstå när verktyget används. Dessa risker kan uppstå vid felaktig användning, långvarig användning, osv. Även om relevanta säkerhetsföreskrifter följs och säkerhetsanordningar monteras kan vissa risker inte undvikas. Dessa omfattar:

- ◆ Skador orsakade av att rörliga delar vidrörs.
- ◆ Skador orsakade av att varma delar vidrörs.
- ◆ Skador som uppstår vid byte av delar eller tillbehör.
- ◆ Skador som orsakas av långvarig användning av apparaten.

Se till att ta regelbundna pauser när du använder en apparat under en längre period.

### Elsäkerhet



**Varning!** Produkten måste skyddsjordas. Kontrollera alltid så att spänningen på nätet motsvarar den spänning som finns angiven på märkplåten.

Verktygets stickpropp måste passa till vägguttaget.

Modifiera aldrig kontakten på något sätt. Omodifierade kontakter och matchande uttag minskar risken för elektrisk stöt.

- ◆ Om nätsladden är skadad måste den bytas ut av tillverkaren eller ett auktoriserat BLACK+DECKER servicecenter för att undvika fara.

### Förlängningskablar och klass 1-produkt

- ◆ Eftersom apparaten är skyddsjordad och konstruerad enligt klass 1 måste en tretrådig kabel användas.
- ◆ Använd alltid en godkänd förlängningssladd som klarar redskapets ineffekt (se Tekniska data). Det går att använda en 1,5 mm<sup>2</sup> förlängningssladd som är upp till 30 m lång utan att produktens prestanda försämras. Innan du använder sladden, kontrollera att den inte är skadad, sliten eller nött. Byt ut förlängningssladden om den är skadad eller defekt. Vid användning av en sladdvinda, dra alltid ut sladden helt och hållet.

## Etiketter på apparaten

Följande symboler tillsammans med datumkoden är synliga på apparaten.



**FÖRSIKTIGHET!** Varm ånga



Tvätta på 60 °C. Använd inte blekmedel eller sköljmedel



**FÖRSIKTIGHET!** Het yta

## Funktioner

Denna apparat har några eller samtliga av följande funktioner.

1. Strömbrytare
- 1a. Röd indikatorlampa - varningslampa för tomt på vatten
- 1b. Grön indikatorlampa - ångklar lampa
- 1c. Vit indikatorlampa - ström på-indikator
2. Huvudenhet
3. Vattenbehållare
4. Tillbehörsförvaring
- 5a. Förlängningsstång A
- 5b. Förlängningsstång B
6. Golvhuvud med förvaringskrok
7. Tapetavstrykningsplatta (levereras endast med enhet BHSMP2314)
8. Ångkoncentrator
9. Handmunstycke (2 levereras med enhet BHSMP2314)
10. L-format munstycke
11. Ånghandtag
- 11a. Låsreglage
- 11b. Ånghandtagsavtryckare
12. Skrapa
13. Handmunstyckstrumpa (2 st levereras med enhet BHSMP2314)
14. Golvdyna (2 st levereras med enhet BHSMP2314)
15. Rund borste (2 st levereras med enhet BHSMP2314)
16. Kopparborste (levereras endast med enhet BHSMP2314)
17. Flexibel slang
18. Handtagsmunstyckets spärrar
19. Skrappinne
20. Skrapa bakre krok
21. Säkerhetsventil

## Montering



**Varning!** Innan du verkställer någon av nedanstående instruktioner ska du kontrollera att apparaten är avstängd, att sladden inte sitter i och att den har svalnat och inte innehåller vatten.

## Fästa golvförlängningen till golvrengöringshuvudet (fig. A)

- ◆ Skjut in förlängningsstången B (5b) i golvhuvudet (6) och se till att den klickar säkert på plats, som visas i figur A.

## Fästa den handhållna slangenheten till golvförlängningen (fig. A)

- ◆ Skjut fast ånghandtaget (11) in i förlängningsstång A (5a) och se till att den klickar fast på plats.
- ◆ Anslut förlängningsstång A (5a) till förlängningsstång B (5b)

**Varning!** Kontrollera packningen mellan anslutningsstället på den ånghandtaget (11) och förlängningsstångarna (5a och 5b) före varje användning. Om packningen inte fungerar som den ska eller är skadad, ska du kontakta närmaste auktoriserade verkstad. Använd inte apparaten.

## Montera en rengöringsdyna (fig. B)

Rengöringsdynor finns att köpa hos din BLACK+DECKER-återförsäljare (katalognr. FSPMP20-XJ).

- ◆ Placera en rengöringsdyna (14) på golvet med kardborresidan uppåt.
- ◆ Tryck försiktigt ned ångmoppen på rengöringsdynan.

**Försiktighet!** Lämna aldrig ångmoppen på samma plats på ytan under längre tid. Förvara alltid ångmoppen med stöd i upprätt läge och se till att ångmoppen är avstängd när den inte används.

## Ta bort en rengöringsdyna

**Försiktighet!** Använd alltid lämpliga skor när du byter rengöringsdyna på ångmoppen.

Använd inte tofflor eller öppna skor.

- ◆ Återför ångmoppen till upprättstående läge och stäng AV ångmoppen.
- ◆ Vänta tills ångmoppen svalnat (ungefär 5 minuter).
- ◆ Lyft bort ångmoppen från rengöringsdynan (14) och frigör den från kardborrefästet genom att belasta rengöringsdynans borttagningsflik (14a).

## Montera/ta bort vattenbehållaren (fig. C, D)

**Obs!** Fyll vattentanken (3) med rent kranvatten (använd inga tillsatser eller kemikalier).

**Obs!** I områden med hårt vatten rekommenderas det att du använder avjoniserat vatten.

- ◆ Skjut vattentanken (3) upp och bort från ångmoppens huvudenhet (2).
- ◆ Vattentanken kan tas till kranen för att fyllas.
- ◆ Lyft locket (3a) för att fylla.

**Varning!** När du fyller på, håll vattentanken (3) i vertikalt läge med locket (3a) upptill.

**Varning!** Vattenbehållaren rymmer 1.2 liter. Fyll inte på för mycket vatten i vattenbehållaren.

- ◆ Stäng locket (3a).

**Obs!** Kontrollera att locket sitter fast ordentligt.

## Montera vattentanken

- ◆ Skjut ner vattentanken (3) med hjälp av ribborna för att komma in i huvudenheten (2), se till att vattentanken sitter stadigt för att skapa en tätning.

## Slå på och stänga av (fig. E)

- ◆ Starta apparaten genom att trycka in strömbrytaren TILL/FRÅN (1). Den vita lampan (1c) kommer att tändas när strömmen är på och pannan värms upp. Den gröna lampan (1b) kommer att tändas när pannan är uppe i temperatur, användaren måste trycka på avtryckaren på ånghandtaget (11b) för att skapa ånga.
- ◆ Stäng av apparaten genom att trycka in strömbrytaren TILL/FRÅN (1).

**Försiktighet!** Lämna aldrig ångmoppen på samma plats på ytan under längre tid.

Förvara alltid ångmoppen med stöd i upprätt läge och se till att ångmoppen är avstängd när den inte används.

**Försiktighet!** Töm alltid vattentanken efter användning.

**Notera!** När du fyller på vatten för första gången eller efter det att vattnet har tagit slut kan det ta upp till 180 sekunder innan ånga bildas

Golv bänkskiva yta	Inställning
Trä/laminat	Min/låg ånginställning
Kakel/vinyl	Medium ånginställning
Sten/marmor	Max/hög ånginställning
Tillbehör	Inställning
Putsborste	Max/hög ånginställning
Liten borste	Max/hög ånginställning
Liten borste med kopparborst	Max/hög ånginställning
Fönster-/klädskrapa	Min/låg ånginställning
Tapetfäste	Max/hög ånginställning

**OBSERVERA:** Kontrollera alltid att du använder rätt inställning innan du använder ångmoppen.

## Ångmopp-användargränssnitt

Denna ångmoppen är utrustad med ett ångmoppsanvändargränssnittspanel som visar 3 indikatorlampor (1a, 1b och 1c). De används för att välja rätt arbetssätt anpassat efter vad som ska rengöras.

- ◆ Slå på enheten genom att trycka på strömknappen (1).
- ◆ Den vita lampan (1c) kommer att tändas när strömmen är på och pannan värms upp.
- ◆ Grön indikatorlampa (1b) tänds när enheten är uppe i temperatur och redo att användas.
- ◆ Användaren måste skjuta låsknappen (11a) på ånghandtaget (11) från det låsta läget.
- ◆ Tryck på avtryckaren (11b) på ånghandtaget (11) för att skapa ånga.

- ◆ Efter användning skjut alltid låsknappen (11a) på ånghandtaget (11) tillbaka till det låsta läget.
- ◆ Den vänstra kontrollampan (1a) lyser när vattentanken (3) är tom, ta ut vattentanken (3) och fyll på med vatten.
- ◆ Stäng av apparaten genom att trycka in strömbrytaren (1).

**OBSERVERA:** Kontrollera alltid att du använder rätt inställning innan du använder ångmoppen.

## Fästa tillbehör på ånghandtaget

**Varning!** Kontrollera packningen mellan anslutningsstället på den ånghandtaget och tillbehören före varje användning. Om packningen inte fungerar som den ska eller är skadad, ska du kontakta närmaste auktoriserade verkstad. Använd inte apparaten.

**Varning!** Enheten skall stängas av innan tillbehör monteras.

## Fästa stora tillbehör (fig. F)

- ◆ Tillbehör 7,8 och 9 kan fästas direkt på änden av ånghandtaget.
- ◆ Rikta in tillbehöret och tryck bestämt på ånghandtaget.
- ◆ Se till att spärrfunktionen är låst på plats för att skapa en tätning

**Viktigt!** Alla andra tillbehör måste anslutas till ångslangen (11) för att kunna användas.

## Ta bort ett stort tillbehör

- ◆ Tryck på spärren och dra bort tillbehöret från ånghandtaget (11).

**Varning!** Låt enheten och samtliga tillbehör svalna innan du försöker ta bort någonting.

## Fästa små borsttillbehör

- ◆ Fäst ångkoncentrator (8) på ångmunstycket
- ◆ Små tillbehör 10,15,16 kan skjutas direkt på ångkoncentratorn (8).
- ◆ Se till att det lilla tillbehöret trycks på för att skapa en tätning och stannar på plats.

## Ta bort ett litet tillbehör 10,15,16

- ◆ Dra bort tillbehöret från ångkoncentratorn (8).
- Varning!** Låt enheten och samtliga tillbehör svalna innan du försöker ta bort någonting.

## Montering av skrapan på handmunstycket 12, 9 (fig. I, J, K, L)

- ◆ Montera skrapans bakre krokar (20) i handtagsmunstyckets spärrar (18) som visas i figur K.
- ◆ Tryck ned handtagsmunstycket tills kroppen läses med den främre tappen på skrapan (19) som visas i figur L.

## Ta bort skrapan från handmunstycket

- ◆ Skjut tappen på skrapan (19) framåt för att frigöra handmunstycket.

- ◆ Vrid handmunstycket och haka loss handmunstyckesspärarna (18) från skrapans bakre krok (20) och dra bort från varandra.

## Tips för optimal användning

### Allmänt

**Se upp:** Använd aldrig ångmoppen utan att först montera en rengöringsdyna.

- ◆ Dammsug eller sopa alltid golvet innan du använder ångmoppen.
- ◆ Det enklaste sättet att använda golvmunstycket är att luta enheten 45° och sedan långsamt rengöra en liten yta åt gången.
- ◆ Använd enbart vatten utan tillsatser eller kemikalier till din ångmopp. Om du ska ta bort besvärliga fläckar från vinyl- eller linoleumgolvet kan du förbehandla med ett mildt rengöringsmedel innan du använder ångmoppen.

### Ångrengöring med moppen

- ◆ Fäst den handhållna ångrengöraren på golvförlängningen.
- ◆ Placera en rengöringsdyna (14) på golvet med kardborresidan uppåt.
- ◆ Tryck försiktigt ned ångmoppen på rengöringsdynan (14).
- ◆ Anslut ångmoppen till elnätet.
- ◆ Tryck på strömbrytaren (1). Det tar cirka 180 sekunder för ångmoppen att värmas upp.
- ◆ När pannan har nått temperaturen, justera flödes hastigheten till önskad inställning och tryck på avtryckaren (11b) för att starta ångflödet.
- ◆ Det tar några sekunder för ångan att komma in i rengöringsdynan. Ångmoppen glider nu lätt över ytan som ska rengöras.
- ◆ Skjut och dra ångmoppen långsamt över golvet för en grundlig ångrengöring av varje sektion.
- ◆ När du har använt ångmoppen färdigt, ställ tillbaka handtaget att stoppa ångan, återgå till upprätt läge, se till att den har stöd och stäng "Av" ångmoppen. Vänta tills ångmoppen svalnat (ungefär 10 minuter).

**Försiktighet!** Det är viktigt att kontrollera vattennivån i vattenbehållaren. Röd indikatorlampa kommer att tändas när tanken är tom. Om du vill fylla på vattenbehållaren och fortsätta rengöringen ställer du tillbaka handtaget i vertikalt läge och ser till att avtryckaren inte trycks in.

**Försiktighet!** Lämna aldrig ångmoppen på samma plats på ytan under längre tid. Förvara alltid ångmoppen med stöd i upprätt läge och se till att ångmoppen är avstängd när den inte används.

### Efter användning

- ◆ Vänta tills ångmoppen har svalnat.
- ◆ Koppla bort ångmoppen från eluttaget.
- ◆ Töm vattentanken.

- ◆ Ta bort rengöringsdynan (14) och tvätta den så den är klar för nästa användning (var noga med att följa de på rengöringsdynan tryckta tvättråden).

### Tillbehör

vilka resultat du får med redskapet beror på vilka tillbehör du använder. Tillbehör från BLACK & DECKER håller hög kvalitet och är konstruerade för att fungera optimalt med redskapet. Med dessa tillbehör får du ut mesta möjliga av din utrustning.

### Ångrengöring av plagg (fig. G)

- ◆ Fäst handmunstycket (9) på ånghandtaget (11).
- ◆ Fäst handmunstyckesstrumpan (13) runt handmunstycket (9).

**Obs!** Handmunstycket (9) ska inte användas utan handmunstyckets strumpa (13).

- ◆ Anslut ångmoppen till elnätet.
- ◆ Tryck på strömbrytaren (1). Den gröna indikatorlampan kommer att tändas när pannan är uppe i temperatur.

**Obs!** När du fyller på vatten för första gången eller efter det att vattnet har tagit slut kan det ta upp till 180 sekunder innan ånga bildas.

- ◆ När pannan har nått temperaturen, tryck på önskad ånginställningsknapp för att starta ångflödet.
- ◆ När du har använt ångmoppen färdigt, tryck på ångflödesknappen för att stoppa ångan, återgå till upprätt läge, se till att den har stöd och stäng "Av" ångmoppen. Vänta tills ångmoppen svalnat (ungefär 5 minuter).

### Använda tapetborttagaren

- ◆ Kontrollera konditionen på gips, murbruk och spackel innan du börjar arbeta. Het ånga kan göra att svaga, porösa eller dåligt fastsatta material lossnar. Bruk, spackel och gips lossnar lättare där det förekommer sprickor och hål, eller om man håller ångplattan för länge på samma ställe.
- ◆ Områden med dåligt bruk, spackel eller gips kan ofta upptäckas genom att man knackar på väggen med knogarna på några olika ställen. Om ljudet är ihålligt ljud rekommenderar vi att man bearbetar området med yttersta försiktighet.
- ◆ Testa alltid tapetborttagaren på ett litet område, ca 100 cm<sup>2</sup>, innan du börjar arbeta ordentligt.
- ◆ Fortsätt inte om du upptäcker att gips, bruk eller spackel lossnar eller om du hör ett knakande ljud. Tapetborttagaren kan användas på ytor med gipsplattor.
- ◆ Den värme som apparaten producerar kan lämna märken på eller skada vissa ytor, t.ex. mattor, mjuka möbler och bordsskivor. Du kan förhindra värmeskador på underlaget genom att placera en träskiva eller annat skydd under vattenbehållaren. Skyddspapp eller tidningspapper utgör inte ett tillräckligt skydd.
- ◆ För bästa resultat tar du bort all tapet med en skrapa. Skrapa bort tapet i riktning nedåt.

- ◆ Använd alltid skyddsutrustning när du tar bort tapet från taket. Var försiktig så att kondens samlas upp i ångplattan eftersom varmt vatten kan droppa. Töm ångplattan regelbundet och håll den aldrig rakt ovanför huvudet.
- ◆ Placera alltid ångplattan i en lämplig behållare när den lämnas utan uppsikt, även i några sekunder, och håll ångplattan vänd från dig när den används.

### Tillbehörsfack (fig. H)

Små tillbehör tillsammans med golvhuvudet förvaras på baksidan av enheten.

Golvhuvudet och röret kan placeras på tillbehörsförvaringen (4). Leta reda på kroken på baksidan av golvhuvudet (6) och skjut in i skåran på förvaringen som se i (Fig H). Tryck ned ordentligt och se till att golvhuvudet och röret är stabila innan du släpper

### Miljöskydd



Separat insamling. Produkter och batterier som är markerade med denna symbol får inte kastas i de vanliga hushållssoporna.

Produkterna och batterierna innehåller material som kan återvinnas eller återanvändas, vilket sänker behovet av råmaterial. Återvinn elektriska produkter och batterier enligt lokala bestämmelser. Ytterligare information finns på [www.2helpU.com](http://www.2helpU.com)

### Tekniska data

		BHSM2008 Typ 1	BHSM2314 Typ 1
Spänning	V <sub>ac</sub>	230	230
Effekt	W	2000	2300
Behållarens kapacitet	ml	1200	1200
Vikt	kg	5,9	6,1

### Felsökning

Om apparaten inte fungerar som den ska följer du instruktionerna nedan. Om problemet kvarstår kontakter du närmaste BLACK+DECKER-verkstad. Detaljer om din närmaste BLACK+DECKER-reparatör finns på [www.2helpu.com](http://www.2helpu.com)

Problem	Steg	Möjlig lösning
Ångmoppen startar inte	1.	Kontrollera att enheten är ansluten till vägguttaget
	2.	Kontrollera att enheten är påslagen med strömbrytaren (1)
	3.	Kontrollera säkring i kontakten

Problem	Steg	Möjlig lösning
Ångmoppen producerar ingen ånga	4.	Ångmoppen producerar bara ånga när enheten är påslagen. Vit indikatorlampa kommer att tändas när strömmen är på. Den gröna indikatorlampan kommer att tändas när pannan är upp till temperaturen och sedan har ångflödesavtryckaren tryckts in
	5.	Kontrollera att vattentanken är full. Om röd indikatorlampa tänds är tanken tom. OBSERVERA: När den först fylls på eller efter att den har körts torr tar det tid att värmas upp, den gröna indikatorlampan tänds när pannan är upp till temperaturen.
	6.	Kontrollera steg 1, sedan 2, sedan 3, sedan 4
Ångmoppen slutar producera ånga under användningen	7.	Kontrollera steg 4, sedan 5, sedan 3
Ångmoppen producerar för mycket ånga under användningen	8.	Enheten har variabla ångflödesinställningar. Ställ in ångflödet på låg ånga genom att vrida ratten på ånghandtaget.
Ångmoppen producerar för litet ånga under användningen	9.	Enheten har variabla ångflödesinställningar. Ställ in ångflödet på hög ångnivå genom att vrida ratten på ånghandtaget.
Var kan jag få ytterligare information/ tillbehör	10.	<a href="http://www.blackanddecker.co.uk">http://www.blackanddecker.co.uk</a> <a href="http://www.blackanddecker.ie">http://www.blackanddecker.ie</a>

### Underhåll

Detta BLACK+DECKER-verktyg har konstruerats för att fungera under lång tid med ett minimum av underhåll. Med rätt underhåll och regelbunden rengöring behåller verktyget sin prestanda.



Warning! Innan underhåll utförs på verktyget.

- ◆ Rengör apparaten regelbundet med en fuktig trasa.
- ◆ Svåra fläckar kan rengöras med en trasa fuktad med en mild tvålösning.

### Garanti

Black & Decker är övertygad om sina produkters kvalitet och erbjuder konsumenterna 24 månaders garanti från och med inköpsdatumet. Denna garanti är ett tillägg till dina lagstadgade rättigheter och påverkar inte dessa på något sätt. Garantin är giltig i områden som tillhör medlemsstaterna i Europeiska unionen och det europeiska frihandelsområdet och i Storbritannien.

För yrkande under garantin måste yrkandet vara i enlighet med Black&Deckers villkor och du kommer att behöva skicka in bevis på köpet till försäljaren eller en auktoriserad reparatör. Villkoren för Black & Deckers tvååriga garanti och var du hittar din närmaste auktoriserade reparatör kan erhållas på Internet på [www.2helpU.com](http://www.2helpU.com), eller genom att kontakta ditt lokala Black & Decker-kontor på adressen som angetts i denna manual. Besök vår webbplats [www.blackanddecker.se](http://www.blackanddecker.se) för att registrera din nya Black & Decker-produkt samt för att få information om nya produkter och specialerbjudanden.

**Tiltenkt bruk**

Dine BLACK+DECKER BHSMP2008, BHSMP2314 dampmopper er laget for rengjøring av forseglet hardtre, forseglet laminat, linoleum, vinyl, keramiske fliser, stein og marmorgulv. Disse apparatene er beregnet kun til innendørs husholdningsbruk.

**Sikkerhetsinstruksjoner**

**Advarsel! Les alle sikkerhetsadvarsler og alle instruksjoner.** Hvis advarslene og anvisningene nedenfor ikke overholdes, kan det medføre elektrisk støt, brann og/eller alvorlige personskader.



**Advarsel!** Ved bruk av apparater som drives med strøm fra nettet, må grunnleggende forholdsregler, inkludert punktene som er beskrevet under, alltid følges for å redusere risikoen for brann, elektrisk støt, personskade og skade på materiell.

- ◆ Beregnet bruk er beskrevet i denne håndboken.
- ◆ Hvis du bruker annet tilbehør, kobler til annet utstyr eller bruker dette apparatet til andre oppgaver enn det som er anbefalt i denne håndboken, kan det føre til fare for personskade.
- ◆ Ta vare på denne håndboken for fremtidig bruk.
- ◆ Dette apparatet kan brukes av personer som har reduserte fysiske, sansemessige eller mentale evner, eller som mangler erfaring og kunnskap, hvis de har tilsyn eller har fått veiledning i bruk av apparatet på en trygg måte og forstår farene som foreligger. Barn skal ikke leke med apparatet.
- ◆ Barn må holdes under oppsyn, sørg for at de ikke leker med apparatet.
- ◆ Støpselet skal tas ut av stikkontakten før rengjøring eller vedlikehold av apparatet.
- ◆ Væske eller damp må ikke rettes mot utstyr som inneholder elektriske komponenter, slik som innsiden av ovner.
- ◆ Vær varsom ved bruk av apparatet på grunn av damputslipp.
- ◆ Hold apparatet og ledningen utilgjengelig for barn under 8 år når det er strømførende eller kjøles av.
- ◆ Hvis strømledningen blir skadet, må den byttes av produsenten eller et autorisert servicesenter eller tilsvarende kvalifisert person for å unngå fare.
- ◆ Apparatet må ikke være uten tilsyn når det er tilkoblet strømmettet.
- ◆ Apparatet skal ikke brukes om det har falt i gulvet, om det finnes synlige tegn på skade eller hvis det lekker.
- ◆ Hold apparatet unna barn når det er koblet til strøm eller når det kjøles ned.
- ◆ Påfyllingsåpningen må ikke åpnes under bruk.

## Bruke produktet

- ◆ Ikke åpne overtrykksventilen under bruk.
- ◆ Ikke rett damp mot mennesker, dyr, elektriske apparater eller stikkontakter.
- ◆ Ikke utsett verktøyet for regn.
- ◆ Ikke senk produktet ned i vann.
- ◆ Ikke la apparatet være uten tilsyn.
- ◆ Ikke la produktet være koblet til en stikkontakt når det ikke er i bruk.
- ◆ Ikke dra i strømledningen når du skal koble produktet fra stikkkontakten.
- ◆ Hold ledningen til produktet borte fra varmekilder, olje og skarpe kanter.
- ◆ Ikke håndter damprensjøringsutstyret med våte hender.
- ◆ Ikke trekk eller bær produktet i ledningen, ikke bruk ledningen som håndtak, ikke lukk døren over ledningen, ikke trekk ledningen rundt skarpe hjørner, og ikke utsett ledninger for varme overflater.
- ◆ Ikke bruk produktet i et lukket rom der det er damp fra oljebasert malingstynner, visse møllmidler, antenkelig støv eller annen eksplosiv eller giftig damp.
- ◆ Undersøk gulvtypen hos produsenten.
- ◆ Skal ikke brukes på lær, møbler eller gulv polert med voks eller på syntetiske stoffer eller andre sårbare materialer som er følsomme overfor damp.



**Advarsel!** Må ikke brukes på tre eller laminatgulv som ikke er forseglest. Overflater som er blitt behandlet med voks, og noen gulv uten voks, kan miste glansen på grunn av virkningen av varmen og dampen. Vi anbefaler at du alltid prøver å rengjøre en begrenset del av overflaten før du fortsetter. Vi anbefaler også at du setter deg inn i gulvprodusentens instruksjoner for bruk og vedlikehold.

- ◆ Ha aldri produkter for fjerning av belegg, aromatiske eller alkoholholdige produkter eller vaskemidler i damprensjøringsutstyret, da dette kan skade utstyret eller gjøre det utrygt å bruke.
- ◆ Hvis sikringen hjemme utløses mens du bruker dampfunksjonen, må du slutte å bruke produktet straks og kontakte kundeservice. (Vær klar over risikoen for elektrisk støt.)
- ◆ Apparatet slipper ut svært varm damp for å rengjøre bruksområdet. Dette betyr at damphodet, rengjøringsputene og teppefilbehøret blir svært varme under bruk.

**Forsiktig!** Bruk alltid egnede sko når du bruker dampmoppen, og når du bytter tilbehør på dampmoppen. Ikke bruk tøfler eller fottøy med åpne tær.

- ◆ Lokket kan bli varmt under bruk.
- ◆ Overflaten på dysen kan bli varm under bruk.



- ◆ Det kan komme damp ut av produktet under bruk. Vis varsomhet når du bruker produktet. IKKE BERØR deler som kan bli varme under bruk.
- ◆ Hvis du ser at det kommer damp ut av hoveddelen til dampmoppen, skal du slå den av, koble enheten fra nettstrømmen og la den bli avkjølt. Kontakt nærmeste autoriserte serviceverksted.
- ◆ Hvis du ser at det kommer damp ut av overtrykksventilen (21), slå av enheten, koble enheten fra nettstrømmen, vent i en time til apparatet er avkjølt, og skru så av. Sjekk tilstanden til forseglingen på overtrykksventil. Hvis forseglingen er i bra stand, skru helt på igjen til en tett passform. Kontakt vårt nærmeste autoriserte reparasjonssenter hvis det fortsetter å komme damp ut fra lokket. **IKKE FORTSETT Å BRUKE APPARATET.**

## Etter bruk

- ◆ Koble produktet fra strømmen, og la det avkjøles før det rengjøres.
- ◆ Når det ikke er i bruk, skal apparatet oppbevares på et tørt sted.
- ◆ Barn skal ikke ha tilgang til maskiner som oppbevares.
- ◆ Restdamp står under trykk i slangen når enheten er slått av. Vennligst la enheten avkjøles før du trykker på avtrekkeren

## Kontroll og reparasjon

- ◆ Koble produktet fra stikkontakten, og la det avkjøles før du utfører vedlikehold eller reparasjoner.
- ◆ Koble fra apparatet og la det avkjøles, og sjekk at det ikke er damp i systemet ved å aktivere damputløseren på damphåndtaket (11) før du skru av overtrykksventilen (21). Overtrykksventilen skal aldri skrues ut før apparatet er avkjølt og det ikke er damp igjen i systemet. Skru tilbake på igjen til en tett passform etter vedlikehold. Etter vedlikehold må du skru på igjen til en tett passform.
- ◆ Kontroller at apparatet ikke er skadet eller har defekte deler før du bruker det. Undersøk om brytere eller andre deler er skadet, eller om det er andre forhold som kan påvirke bruken.
- ◆ Kontroller jevnlig om strømledningen er skadet.
- ◆ Ikke bruk apparatet hvis en del er skadet eller defekt.
- ◆ Overlat reparasjon eller utskifting av skadde eller defekte deler til et autorisert serviceverksted.
- ◆ Forsøk aldri å fjerne eller bytte ut andre deler enn delene som er oppgitt i denne håndboken.

## Restrisikoer

Når verktøyet brukes, kan det oppstå ytterligere risikoer som kanskje ikke er beskrevet i de medfølgende sikkerhetsadvarslene.

Disse risikoene kan bli forårsaket av feil bruk, langvarig bruk osv. Selv når du følger relevante sikkerhetsforskrifter og bruker sikkerhetsutstyr, er det visse gjenværende risikoer som ikke kan unngås. Disse inkluderer:

- ◆ Personskader som forårsakes av berøring av bevegelige deler.
- ◆ Personskader som forårsakes av berøring av varme deler.
- ◆ Personskader som forårsakes av at deler eller tilbehør byttes.
- ◆ Personskader som forårsakes av langvarig bruk av produktet. Når du bruker et produkt i lange perioder, må du sørge for å ta regelmessige pauser.

## Elektrisk sikkerhet



**Advarsel!** Dette produktet må jordes. Kontroller alltid at strømforsyningen samsvarer med spenningen på merkeskiltet.

Støpselet må passe i stikkontakten. Aldri modifierer støpselet på noen måte. Umodifiserte støpsler og stikkontakter som passer vil redusere risikoen for elektrisk støt.

- ◆ Hvis strømledningen blir skadet, må den byttes av produsenten eller et autorisert BLACK+DECKER -servicesenter for å unngå fare.

## Skjøteledninger og klasse 1-produkt

- ◆ Det må brukes kabel med A 3-kjerne, ettersom apparatet er jordet og en konstruksjon i klasse 1.

- ◆ Bruk alltid en godkjent skjøteledning som passer til inngangseffekten for dette verktøyet (se tekniske data). Opptil 30 m 2 x 1,5 mm<sup>2</sup> skjøteledning kan brukes uten tap av ytelse for produktet. Før bruk må du undersøke skjøteledningen for tegn på skade, slitasje og aldring. Bytt skjøteledningen hvis den er skadet eller defekt. Vikle alltid ut kabelen fullstendig når du bruker en kabeltrommel.

## Merker på apparatet

De følgende symbolene sammen med datokode vises på apparatet.



**FORSIKTIG!** Varm damp



Vask ved 60°C. Ikke bruk blekemiddel eller tøyrynner



**FORSIKTIG!** Varm overflate

## Funksjoner

Dette apparatet har noen av eller alle funksjonene nedenfor.

1. På-/av-bryter
- 1a. Rød indikatorlampe - Tomt for vann Varsellampe
- 1b. Grønn indikatorlampe - Damp klar lampe
- 1c. Hvit indikatorlampe - Strøm på-indikator
2. Hovedenhet
3. Vanntank
4. Oppbevaringsrom for tilbehør
- 5a. Forlengelsespole A
- 5b. Forlengelsespole B
6. Gulvhode med krok for oppbevaring
7. Tapetfjernerplate (leveres kun med enhet BHSMP2314)
8. Dampkonsentrator
9. Hånddyser (2 følger med enheten BHSMP2314)
10. L-formet dyse
11. Damphåndtak
- 11a. Låseglydebryter
- 11b. Damphåndtaksutløser
12. Nal
13. Hånddyse sokk (2 følger med enheten BHSMP2314)
14. Gulvpute (2 følger med enheten BHSMP2314)

15. Rund børste (2 følger med enheten BHSMP2314)
16. Kobberbørste (følger med enheten BHSMP2314)
17. Fleksibel slange
18. Håndtak for dysens låser
19. Nalplugg
20. Nal bakre kroker
21. Overtrykksventil

## Montering



**Advarsel!** Før du utfører noen av fremgangsmåtene nedenfor, må du sikre at produktet er slått av, at støpselet er trukket ut, og at produktet er avkjølt og ikke inneholder vann.

## Feste gulvforlengeren til gulvmunnstykket (fig. A)

- ◆ Skyv forlengelsespolen B (5b) inn i gulvhodet (6) og pass på at den klikker ordentlig på plass, som vist i figur A.

## Feste den håndholdte slangeenheten til gulvforlengeren (fig. A)

- ◆ Skyv damphåndtaket (11) godt inn i forlengelsespole A (5a), og pass på at den klikker ordentlig på plass.
- ◆ Koble forlengelsespole A (5a) til forlengelsespole B (5b)

**Advarsel!** Inspiser pakningen mellom koblingspunktet på den damphåndtaket (11) og forlengelsespolene (5a 5b) før hver bruk. Hvis pakningen mangler eller er skadet, må du kontakte nærmeste autoriserte serviceverksted. Ikke bruk produktet.

## Sette på en rengjøringspute (fig. B)

Ekstra rengjøringsputer får du hos din BLACK+DECKER-forhandler (artikkelnummer FSMP20-XJ).

- ◆ Plasser en rengjøringspute (14) på gulvet med festesiden av borrelåsen opp.
- ◆ Trykk dampmoppen forsiktig ned på rengjøringsputen.

**Forsiktig!** La aldri dampmoppen være på ett sted noen tid.

Plasser alltid dampmoppen i stående stilling når den er i ro, og pass på at dampmoppen er slått av når den ikke er i bruk.

## Fjerne en rengjøringspute

**Forsiktig!** Bruk alltid egnede sko når du bytter rengjøringspute på dampmoppen.

Ikke bruk tøfler eller fottøy med åpne tær.

- ◆ Sett dampmoppen i stående stilling igjen, og slå dampmoppen 'AV'.
- ◆ Vent til dampenheten er avkjølt før du setter den til oppbevaring (omtrent 5 minutter).
- ◆ Løft dampmoppen bort fra rengjøringsputen (14) og frigjør den fra borrelåsfestet ved å trykke ned tappen for fjerning av rengjøringsputen (14a).

## Sette på / Fjerne vanntanken (fig. C, D)

**Merk!** Fyll vanntanken (3) med rent vann fra kranen (ikke bruk tilsetninger eller kjemikalier).

**Merk!** I områder med hardt vann anbefales bruk av avionisert vann.

- ◆ Skyv vanntanken (3) opp og bort fra dampmoppens hovedenhet (2).
- ◆ Vanntanken kan tas med til kranen for å fylles.
- ◆ Løft lokket (3a) for å fylle.

**Advarsel!** Ved fylling, hold vanntanken (3) vertikalt med lokket (3a) øverst.

**Advarsel!** Vanntanken tar 1,2 liter. Ikke fyll for mye på tanken.

- ◆ Lukk lokket (3a).

**Merk!** Pass på at lokket er satt på riktig.

## Feste vanntanken

- ◆ Skyv vanntanken (3) ned ved hjelp av ribbene for å plassere den inn i hovedenheten (2). Sørg for at vanntanken sitter godt på plass for å lage en forsegling.

## Slå på og av (fig. E)

- ◆ Når du skal slå apparatet på, trykker du på AV/PÅ-bryteren (1). Den hvite lampen (1c) vil lyse når strømmen er på og kjelen varmes opp. Den grønne lampen (1b) vil lyse når kjelen har nådd temperaturen. Brukeren må trykke på utløseren på damphåndtaket (11b) for å lage damp.
- ◆ Når du skal slå apparatet på, trykker du på AV/PÅ-bryteren (1).

**Forsiktig!** La aldri dampmoppen være på ett sted noen tid.

Plasser alltid dampmoppen i stående stilling når den er i ro, og pass på at dampmoppen er slått av når den ikke er i bruk.

**Forsiktig!** Tøm alltid vanntanken på etter bruk.

**Merk!** Ved første fylling eller etter at den har gått tom, kan det ta opptil 180 sekunder før det lages damp

Gulv Benkeplate Overflate	Innstilling
Tre/laminat	Min/Lav dampinnstilling
Flis/vinyl	Mid dampinnstilling
Stein/marmor	Maks/Høy dampinnstilling
Tilbehør	Innstilling
Fugebørste	Maks/Høy dampinnstilling
Liten børste	Maks/Høy dampinnstilling
Liten børste med kobberbust	Maks/Høy dampinnstilling
Nal for vindu/plagg	Min/Lav dampinnstilling
Tapet vedlegg	Maks/Høy dampinnstilling

**Merk:** Kontroller alltid at du bruker riktig dampinnstilling før du bruker dampmoppen.

## Damp brukergrensesnitt

Denne dampmoppen er utstyrt med et dampbrukergrensesnittpanel som viser 3 indikatorlamper (1a, 1b og 1c). De brukes til å velge riktig innstilling for den bestemte rengjøringsoppgaven.

- ◆ Slå på enheten på ved å trykke på På-/av-bryteren (1).

- ◆ Den hvite indikatorlampen (1c) vil lyse når strømmen er på og kjelen varmes opp.
- ◆ Grønn indikatorlampe (1b) lyser når enheten har nådd temperaturen og klar til bruk.
- ◆ Brukeren må skyve låseknappen (11a) på dampåndtaket (11) fra den låst posisjonen.
- ◆ Trykk på utløseren (11b) på dampåndtaket (11) for å lage damp.
- ◆ Skyv alltid låseknappen (11a) på dampåndtaket (11) tilbake til låst posisjon etter bruk.
- ◆ Den venstre indikatorlampen (1a) lyser når vanntanken (3) er tom, ta ut vanntanken (3) og fyll på med vann.
- ◆ Når du skal slå apparatet av, trykker du på på-/av-bryteren (1).

**Merk:** Kontroller alltid at du bruker riktig innstilling før du bruker dampmoppen.

### Feste tilbehør til dampåndtaket

**Advarsel!** Inspiser pakningen mellom koblingspunktet på dampåndtaket og tilbehøret før hver bruk. Hvis pakningen mangler eller er skadet, må du kontakte nærmeste autoriserte serviceverksted. Ikke bruk produktet.

**Advarsel!** Apparatet skal være slått av før slangen settes på.

### Feste stort tilbehør (fig. F)

- ◆ Tilbehør 7,8 og 9 kan festes direkte på enden av dampåndtaket.
- ◆ Juster tilbehøret og fest det skikkelig på dampåndtaket.
- ◆ Sørg for at låsefunksjonen er i låst posisjon for å lage en forsegling

**Viktig!** Alt tilbehør må festes på dampåndtaket (11) for bruk.

### Fjerne et stort tilbehør

- ◆ Trykk på låsen og trekk tilbehøret bort fra dampåndtaket (11).

**Advarsel!** La enheten og alt tilbehør avkjøles før du tar av tilbehør.

### Feste små børstetilbehør

- ◆ Fest dampkonsentratoren (8) til dampdysen
- ◆ Små tilbehør 10,15,16 kan skyves direkte inn på dampkonsentratoren (8).
- ◆ Sørg for at det lille tilbehøret skyves på for å lage en forsegling slik at det forblir på plass.

### Fjerne et lite tilbehør 10,15,16

- ◆ Trekk tilbehøret vekk fra dampkonsentratoren (8).

**Advarsel!** La enheten og alt tilbehør avkjøles før du tar av tilbehør.

### Montering av nalen på hånddysen 12, 9 (fig. I, J, K, L)

- ◆ Monter nalen bakre kroker (20) i håndtaket for dysens låser (18) som vist i figur K.
- ◆ Skyv håndtaksdysen ned til kroppen er låst med frontpinnen på nalen (19) som vist i figur L.

### Fjerning av nalen fra hånddysen

- ◆ Skyv pluggen til nalen (19) forover for å frigjøre hånddysen.
- ◆ Roter hånddysen og løsne låsene på hånddysen (18) fra nales bakre kroker (20) og dra vekk fra hverandre.

### Råd for optimal bruk

#### Generelt

**Forsiktig:** Bruk aldri dampmoppen uten å sette på rengjøringsputen først.

- ◆ Du må alltid støvsuge eller feie gulvet før du bruker dampmoppen.
- ◆ Den enkleste måten å bruke produktet på er å la apparatet helle 45 ° og rengjøre langsomt – et lite område om gangen.
- ◆ Bruk kun vann uten tilsetninger eller kjemikalier med dampmoppen. Når du skal fjerne vanskelige flekker fra vinyl- eller linoleumsgulv, kan du forbehandle det med et mildt rengjøringsmiddel og litt vann før du bruker dampmoppen.

### Damprengjøring med moppen

- ◆ Fest dampåndtaket til gulvforlengeren.
- ◆ Plasser en rengjøringspute (14) på gulvet med festesiden av borrelåsen opp.
- ◆ Trykk dampmoppen forsiktig ned på rengjøringsputen (14).
- ◆ Koble dampmoppen i stikkkontakten.
- ◆ Trykk på på/av-knappen (1). Det tar ca. 180 sekunder til kjelen er oppvarmet.
- ◆ Når kjelen har nådd temperaturen, juster strømningshastigheten til innstillingen som er ønsket og trykk på avtrekkeren (11b) for å starte dampstrømmen.
- ◆ Det tar noen få sekunder før dampen kommer inn i rengjøringsputen. Dampmoppen glir nå lett over overflaten som skal rengjøres.
- ◆ Skyv og trekk dampmoppen langsomt over gulvet for å rengjøre alle deler grundig med dampen.
- ◆ Når du er ferdig med å bruke dampmoppen, slipp avtrekkeren for å stoppe dampstrømmen, returten til oppreist stilling, og sørg for at den står støtt og slå "AV". Vent til dampmoppen er avkjølt (omtrent 10 minutter).

**Forsiktig!** Det er viktig å holde øye med vannivået i vanntanken. Rødt indikatorlys vil lyse når tanken er tom. Når du skal fylle på vanntanken igjen og fortsette å rengjøre, setter du moppen i stående stilling og sørg for at damputløseren ikke er trykket inn.

**Forsiktig!** La aldri dampmoppen være på ett sted noen tid. Plasser alltid dampmoppen i stående stilling når den er i ro, og pass på at dampmoppen er slått av når den ikke er i bruk.

### Etter bruk

- ◆ Vent til dampmoppen er avkjølt.
- ◆ Ta støpselet til dampmoppen ut av stikkkontakten.
- ◆ Tøm vanntanken.
- ◆ Ta av rengjøringsputen (14), vask den så den er klar for neste bruk (pass på å følge vaskeanvisningen som er trykket på rengjøringsputen).

### Tilbehør

Produktets ytelse avhenger av tilbehøret du bruker. Tilbehør fra BLACK & DECKER er produsert etter høye kvalitetsstandarder og er konstruert for å bedre produktets ytelse. Hvis du bruker dette tilbehøret, får du mest mulig ut av utstyret ditt.

### Damprensing av plagg (fig. G)

- ◆ Fest hånddysen (9) til damphåndtaket (11).
- ◆ Fest hånddysesokken (13) rundt hånddysen (9).

**Merk!** Hånddysen (9) bør ikke brukes uten hånddysesokken (13).

- ◆ Koble dampmoppen i stikkkontakten.
- ◆ Trykk på på/av-knappen (1). Den grønne indikatorlampen vil lyse når kjelen har nådd temperaturen.

**Merk!** Ved første fylling eller etter at den har gått tom, kan det ta opptil 180 sekunder før det lages damp.

- ◆ Når kjelen har nådd temperaturen, trykk på dampinnstillingsknappen som er ønsket for å starte dampstrømmen.
- ◆ Når du er ferdig med å bruke dampmoppen, trykk på dampstrømknappen for å stoppe dampstrømmen og returner til oppreist stilling. Pass på at den står støtt og slå "AV". Vent til dampmoppen er avkjølt (omtrent 5 minutter).

### Bruke tapetfjerner

- ◆ Kontroller tilstanden til murpussen før du begynner arbeidet, siden damp med høy temperatur kan løsne svak, porøs eller dårlig festet murpuss. Murpuss løsner også lettere i områder med sprekker eller huller, eller hvis dampplaten holdes på samme sted for lenge.
- ◆ Det kan hende du kan oppdage om du har svak murpuss ved å banke på noen få områder på veggene med knokene. Hvis dette gir en hul lyd, anbefaler vi at du går videre bare med stor forsiktighet.
- ◆ I alle tilfeller tester du ut tapetfjerner på et lite felt på ca 100 cm<sup>2</sup> før du begynner på arbeidet for alvor.
- ◆ Hvis det på noe tidspunkt løsner murpuss, eller du hører at noe sprekker, må du ikke fortsette. Tapetfjerner er trygg for overflater av tørrmur eller gipsplater.

- ◆ På grunn av varmen dette produktet genererer, er det mulig at visse overflater, for eksempel tepper, myke møbler, bordplater, skap osv. kan få flekker eller bli skadet. For å forebygge dette plasserer du en treplate eller annen beskyttelse under dampkjelen for å hindre at varme skader overflaten. Støvsbeskyttelse eller aviser er ikke tilstrekkelige for dette formålet.
- ◆ Du får best resultat ved å fjerne tapet med en skraper. Skrap av tapet i retning nedover.
- ◆ Bruk alltid beskyttelse når du fjerner tapet fra taket. Vær forsiktig med kondens som samles i dampplaten, siden det kan dryppe varmt vann. Tøm dampplaten regelmessig, og bruk den aldri rett over hodet.
- ◆ Plasser alltid dampplaten i en passende beholder når den ikke er under tilsyn, selv i noen få sekunder. Hold dampplaten vendt bort fra deg når den brukes.

### Oppbevaring av tilbehør (fig. H)

Lite tilbehør sammen med gulvhodet er lagret på baksiden av enheten.

Gulvhodet og røret kan plasseres på oppbevaringsrommet for tilbehør (4). Finn kroken på baksiden av gulvhodet (6), og skyv inn i sporet på oppbevaringsrommet som vist i (fig. H). Trykk godt ned og sørg for at gulvhodet og røret er stabilt før du slipper

### Miljøvern



Separat avfallshåndtering. Produkter og batterier merket med dette symbolet skal ikke kastes i vanlig husholdningsavfall.

Produkter og batterier inneholder materialer som kan gjenbrukes eller gjenvinnes for å redusere behovet for nye råmaterialer. Vennligst lever elektrisk utstyr og batterier til gjenbruk i henhold til lokale retningslinjer. Mer informasjon finner du på

[www.2helpU.com](http://www.2helpU.com)

### Tekniske data

		BHSMP2008 Type 1	BHSMP2314 Type 1
Spenning	V <sub>ac</sub>	230	230
Strøm	W	2000	2300
Tankkapasitet	ml	1200	1200
Vekt	kg	5,9	6,1

### Feilsøking

Hvis apparatet ikke fungerer som det skal, følger du instruksjonene nedenfor. Hvis problemet ikke løses, kontakter du ditt lokale BLACK+DECKER-serviceverksted. Detaljer om ditt nærmeste BLACK+DECKER-reparasjonsrepresentant finner du på [www.2helpu.com](http://www.2helpu.com)

Problem	Trinn	Mulig løsning
Dampmoppen slår seg ikke på	1.	Kontroller at enheten er koblet til stikkontakten
	2.	Kontroller at enheten er slått på med PÅ/AV knappen (1)
	3.	Kontroller sikringen i støpselet
Dampmoppen produserer ikke damp	4.	Dampmoppen vil kun produsere damp når enheten er slått på. Den hvite indikatorlampe vil lyse når strømmen er på. Den grønne indikatorlampe vil lyse når kjelen har nådd temperaturen og dampstrømløseren er trykket på
	5.	Kontroller at vanntanken er full. Hvis den røde indikatorlampe lyser, er tanken tom. Merk: Ved første fylling eller etter tørking vil det ta tid å varme opp. Den grønne indikatorlampe vil lyse når kjelen har nådd temperaturen.
	6.	Kontroller trinn 1, så 2, så 3 og deretter 4
Dampmoppen stopper å lage damp under bruk	7.	Kontroller trinn 4, så 5 og deretter 3
Dampmoppen lager for lite damp under bruk	8.	Enheden har variable dampstrøminnstillinger. Still inn dampstrømmen til lav damp ved å dreie hjulet på damphåndtaket.
Dampmoppen lager for lite damp under bruk	9.	Enheden har variable dampstrøminnstillinger. Still inn dampstrømmen til høy damp ved å dreie hjulet på damphåndtaket.
Hvor kan jeg finne mer informasjon/tilbehør	10.	<a href="http://www.blackanddecker.co.uk">http://www.blackanddecker.co.uk</a> <a href="http://www.blackanddecker.ie">http://www.blackanddecker.ie</a>

## Vedlikehold

BLACK+DECKER-verktøyet ditt er konstruert for å være i drift over lengre tid med et minimum av vedlikehold. For at det skal fungere tilfredsstillende over tid, er det viktig å sørge for riktig stell av verktøyet og regelmessig renhold.



Advarsel! Før du utfører vedlikehold på verktøyet.

- Tørk av produktet med en myk, fuktig klut.
- Til vanskelige flekker kan du bruke en mild oppløsning av såpe og vann til å fukte kluten.

## Garanti

Black & Decker er trygg på kvaliteten av produktene sine og tilbyr en 24 måneders garanti fra kjøpsdato. Denne garantien er et tillegg og endrer ikke dine rettigheter i henhold til loven. Garantien er gyldig innenfor territoriene til Storbritannia, medlemslandene i Den Europeiske Union (EU) og det Europeiske Frihandelsområdet (EFTA) og Storbritannia. For å ta garantien i bruk må kravet være i samsvar med kjøpsbetingelsene fra Black&Decker og du må vise kjøpskvittering til forhandleren eller til et autorisert serviceverksted. Betingelsene for Black&Deckers 2 års garanti og adressen til din nærmeste autoriserte serviceverksted kan du finne på internett under [www.2helpU.com](http://www.2helpU.com), eller ved å kontakte ditt lokale Black & Decker kontor, adressen er angitt i denne bruksanvisningen.

Besøk våre nettsider på [www.blackanddecker.no](http://www.blackanddecker.no) for å registrere ditt nye Black & Decker-produkt og for å få informasjon om nye produkter og spesialtilbud.

## Tilsigtet brug

Dine BLACK+DECKER BHSMP2008, BHSMP2314 dampmopper er udviklet til rengøring af forseglede hårdtræ, forseglede laminat, linoleum, vinyl, keramiske fliser, sten og marmorgulve. Disse apparater er kun beregnet til indendørs husholdningsbrug.

## Sikkerhedsinstruktioner



**Advarsel! Læs alle sikkerhedsadvarsler og alle instruktioner.** Hvis efterfølgende advarsler og instruktioner ikke følges, er der risiko for elektrisk stød, brand og alvorlige.



**Advarsel!** Ved brug af apparater, der strømforsynes fra forsyningsnettet, er det vigtigt, at grundlæggende sikkerhedsforholdsregler, herunder bl.a. nedenstående, altid følges for at mindske risikoen for brand, elektrisk stød, personskade og tingskade.

- Den tilsigtede brug er beskrevet i denne vejledning.
- Brugen af ekstraudstyr eller tilbehør eller udførelse af andet arbejde med dette apparat end det, der anbefales i denne vejledning, kan udgøre en fare for kvæstelser.
- Opbevar denne vejledning til senere brug.

- ◆ Apparatet kan bruges af personer med nedsatte fysiske, sensoriske eller mentale evner eller manglende erfaring og viden, hvis det sker under overvågning, eller de vejledes i brugen af apparatet på en sikker måde, og de forstår de farer, som er forbundet dermed. Børn må ikke lege med apparatet.
- ◆ Børn skal holdes under opsyn, så det sikres, at de ikke leger med værktøjet.
- ◆ Stikket skal tages ud af stikkontakten før rengøring eller vedligeholdelse af apparatet.
- ◆ Væske eller damp må ikke rettes mod udstyr, der indeholder elektriske komponenter, såsom det indvendige af ovne.
- ◆ Der skal udvises forsigtighed under brug af apparatet, da der slipper damp ud.
- ◆ Hold apparatet og dets ledning utilgængeligt for børn under 8 år, når det er tændt eller bliver afkølet.
- ◆ Hvis netledningen beskadiges, skal den udskiftes af producenten, hans serviceagent eller lignende kvalificerede personer, så farlige situationer undgås.
- ◆ Apparatet må ikke efterlades uden opsyn, mens det er tilsluttet netforsyningen.
- ◆ Apparatet må ikke anvendes, hvis det har været tabt, hvis der er synlige tegn på skader, eller hvis det lækker.
- ◆ Hold apparatet uden for børns rækkevidde, når det aktiveres eller nedkøles.

- ◆ Påfyldningsåbningen må ikke åbnes under brug.

## Brug af apparatet

- ◆ Åbn ikke trykafslætningsventilen under brug.
- ◆ Ret aldrig dampen mod mennesker, dyr, elektriske apparater eller strømudgange.
- ◆ Udsæt det ikke for regn.
- ◆ Apparatet må ikke nedsænkes i vand.
- ◆ Efterlad ikke apparatet uden opsyn.
- ◆ Træk altid stikket ud af stikkontakten, når apparatet ikke er i brug.
- ◆ Træk aldrig i strømledningen for at afbryde apparatet fra stikkontakten.
- ◆ Beskyt apparatets ledning imod varmepåvirkninger, olie og skarpe kanter.
- ◆ Brug ikke damprenseren med våde hænder.
- ◆ Træk eller løft ikke apparatet i ledningen, brug ikke ledningen som håndtag, lad ikke ledningen komme i klemme i en dør, træk ikke ledningen om skarpe kanter og lad ikke ledningen komme i berøring med varme flader.
- ◆ Brug ikke apparatet i lukkede rum fyldt med dampe fra oliebaseret malingsfortynder, mølmidler, brændbart støv eller eksplosive eller giftige dampe.
- ◆ Spørg om din gulvtype hos din forhandler.
- ◆ Apparatet må ikke bruges til læder, voksbehandlede møbler eller gulve, syntetiske stoffer, fløjel eller andre fine, dampfølsomme materialer.





**Advarsel!** Brug ikke apparatet på ubehandlede trægulve eller ubehandlede laminatgulve. På voksbehandlede overflader og nogle gulve uden voks kan varmen og dampen bevirke, at glansen forsvinder. Det anbefales altid først at prøve apparatet på et lille skjult stykke af den overflade, der skal rengøres. Vi anbefaler også, at man kontrollerer gulvproducentens brugs- og vedligeholdelsesvejledninger.

- ◆ Fyld aldrig kalkstensfjerner, aromatiske eller alkoholbaserede produkter eller rensesubstanter i damprenseren, da det kan ødelægge den eller gøre den farlig at bruge.
- ◆ Hvis boligens fejlstrømsafbryder kobler ud under brugen af dampfunktionen, skal man straks ophøre med at bruge apparatet og kontakte kundeservicecentret. (Vær opmærksom på risikoen for elektrisk stød.)
- ◆ Apparatet udsender meget varm damp for at rengøre anvendelsesområdet. Det betyder, at dampovedet, moppekludene og tilbehøret bliver meget varme ved brug.

**Forsigtig!** Benyt altid egnet fodtøj, når du bruger dampmoppen, og når du skifter tilbehør på dampmoppen. Brug ikke hjemmesko eller åbne sko.

- ◆ Låget kan blive varmt ved brug.

- ◆ Dysefladen kan blive varm ved brug
- ◆ Der kan strømme damp ud fra apparatet ved brug. Vær meget forsigtig ved brug af apparatet. RØR IKKE ved dele, der kan blive varme ved brug.
- ◆ Hvis der registreres dampudslip fra den dampmoppens kabinet, slukkes enheden, ledningen tages ud af stikkontakten, og enheden køler af. Kontakt det nærmeste autoriserede serviceværksted.
- ◆ Hvis der observeres damp, som kommer ud fra trykaflastningsventilen (21), skal du slukke for enheden, afbryde enheden fra netforsyningen, vente i en time på, at apparatet er afkølet, og derefter skrue den af. Tjek tilstanden af forseglingen på trykaflastningsventilen. Hvis forseglingen er i god stand, skal den skrues helt på igen, så den sidder tæt. Kontakt dit nærmeste autoriserede reparationscenter, hvis der fortsat kommer damp ud af hættten.

**APPARATET MÅ IKKE LÆNGERE ANVENDES.**

### Efter brug

- ◆ Tag apparatet ud af stikkontakten, og lad det køle af, før det rengøres.
- ◆ Opbevar apparatet på et tørt sted, når det ikke er i brug.
- ◆ Opbevar apparater utilgængeligt for børn.
- ◆ Resterende damp er under tryk i slangen, når enheden er slukket.

Lad enheden køle af, før du trykker på udløseren

## Eftersyn og reparationer

- ♦ Tag apparatet ud af stikkontakten og lad det køle af, før der udføres vedligeholdelse eller reparation.
- ♦ Tag apparatet ud af stikkontakten og lad det køle af. Tjek, at der ikke kommer damp ud, ved at aktivere dampudløseren på damphåndtaget (11), før aflastningsventilen (21) skrues af, kan ikke skrue aflastningsventilen af, før apparatet er afkølet, og der ikke er damp ude. . Skru den på igen, og stram den helt, efter vedligeholdelse.
- ♦ Før brug skal apparatet kontrolleres for beskadigede eller defekte dele. Se efter knækkede dele, skader på kontakter og eventuelle andre tilstande, der kan påvirke apparatets funktion.
- ♦ Kontroller regelmæssigt strømledningen for skader.
- ♦ Brug ikke apparatet med beskadigede eller defekte dele.
- ♦ Sørg for at få beskadigede eller defekte dele repareret eller udskiftet på et autoriseret værksted.
- ♦ Forsøg aldrig at fjerne eller udskifte dele ud over dem, der er beskrevet i denne vejledning.

## Tilbageværende risici

Der kan opstå yderligere, tilbageværende risici under brugen af apparatet, som muligvis ikke behandles i de vedlagte sikkerhedsadvarsler.

Disse risici kan opstå pga. forkert anvendelse, langvarig brug osv. Selv ved overholdelse af relevante sikkerhedsbestemmelser og anvendelse af sikkerhedsanordninger medfører brugen af save en række restrisici, som ikke kan undgås. Disse omfatter:

- ♦ Tilskadekomst forårsaget af berøring af bevægelige dele.
- ♦ Tilskadekomst forårsaget af berøring af varme dele.
- ♦ Tilskadekomst forårsaget af udskiftning af dele eller tilbehør.
- ♦ Tilskadekomst forårsaget af langvarig brug af apparatet. Husk at holde pause jævnligt ved brug af et apparat i længere tid.

## Elektricitet og sikkerhed



**Advarsel!** Dette produkt skal jordforbindes. Kontrollér altid, at strømforsyningen svarer til spændingen på mærkepladen.

Elektriske stik skal passe til stikkontakten. Stikket må aldrig modificeres på nogen måde. Umodificerede stik og dertil passende stikkontakter reducerer risikoen for elektrisk stød.

- ♦ Hvis netledningen beskadiges, skal den udskiftes af producenten eller et autoriseret BLACK+DECKER værksted, så farlige situationer undgås.

## Forlængerledninger og klasse 1-produkt

- Der skal anvendes et 3-lederkabel, da dette apparat er jordforbundet og klassificeret som klasse 1.
- Brug altid en godkendt forlængerledning, der er egnet til dette apparats strømstik (se de tekniske data). Der kan bruges en forlængerledning på op til 30 m med et tværsnit på 1,5 mm<sup>2</sup>, uden at produktets ydeevne forringes. Før brug skal forlængerledningen inspiceres for tegn på beskadigelse, slid og ældning. Udskift forlængerledningen, hvis den er beskadiget eller defekt. Ved brug af en ledningstrømle skal ledningen altid rulles helt ud.

## Mærkater på apparatet

Følgende piktogrammer vises på værktøjet sammen med datokoder.



**FORSIGTIG!** Varm damp



Vask ved 60°C. Brug ikke blegemiddel eller skyllemiddel



**FORSIGTIG!** Varm overflade

## Funktioner

Dette apparat leveres med nogle af eller alle de følgende komponenter.

1. Afbryderkontakt
- 1a. Rød indikatorlampe - advarselslampe for vandtømning
- 1b. Grøn indikatorlampe - lampe for damp parat
- 1c. Hvid indikatorlampe - tændt-indikator
2. Hovedenhed
3. Vandbeholder
4. Rum til opbevaring af tilbehør
- 5a. Forlængerstang A

- 5b. Forlængerstang B
6. Gulvhoved med opbevaringskrog
7. Tapetfjernerplade (følger kun med enheden BHSMP2314)
8. Dampkoncentrator
9. Hånddyse (2 forsynes med enheden BHSMP2314)
10. L-formet dyse
11. Damphåndtag
- 11a. Startspærreskyder
- 11b. Damphåndtagsudløser
12. Gummiskraber
13. Hånddysesok (2 forsynes med enheden BHSMP2314)
14. Gulvklud (2 forsynes med enheden BHSMP2314)
15. Rund børste (2 forsynes med enheden BHSMP2314)
16. Kobberbørste (forsynes kun med enheden BHSMP2314)
17. Bøjelig slange
18. Låse til hånddyse
19. Gummiskraberklæmme
20. Bagsidekroge på gummiskraber
21. Trykaflastningsventil

## Samling



**Advarsel!** Sørg for, at apparatet er afbrudt, at stikket er taget ud, og at apparatet er koldt og ikke indeholder vand, inden nogle af de følgende instruktioner udføres.

## Fastgørelse af gulvforlængelsen på gulv rengøringsmundstykket (fig. A)

- Skub forlængerstang B (5b) ind i gulvhovedet (6), mens du sørger for, at den klikker godt fast, som vist i figur A.

## Fastgørelse af den håndholdte slangeenhed på gulvforlængelsen (fig. A)

- Skub damphåndtaget (11) godt fast på forlængerstangen (5a), mens du sørger for, at den klikker godt på plads.
- Forbind forlængerstang A (5a) til forlængerstang B (5b)

**Advarsel!** Inspicer forseglingen mellem forbindelsespunktet på damphåndtaget (11) og forlængerstængerne (5a og 5b) inden hver brug. Hvis forseglingen har en defekt eller er beskadiget, kontaktes det nærmeste autoriserede serviceværksted. Apparatet må ikke bruges.

## Påsætning af moppeklud (fig. B)

Nye moppeklude fås hos din BLACK+DECKER forhandler :- (kat nr. FSMP20-XJ).

- Læg moppekluden (14) på gulvet med velcro-siden opad.
- Pres dampmoppen let ned på moppekluden.

**Forsigtig!** Lad aldrig dampmoppen blive stående på et sted på nogen form for overflade. Stil altid dampmoppen understøttet i lodret stilling, når den står stille og sørg for, at dampmoppen er slukket, når den ikke er i brug.

## Aftagning af moppeklud

**Forsigtig!** Benyt altid egnet fodtøj, når du skifter moppeklud på din dampmoppe.

Brug ikke hjemmesko eller åbne sko.

- ◆ Sæt dampmoppen tilbage i lodret position, og sæt dampmoppen på 'OFF'.
- ◆ Vent, til at dampmoppen er afkølet, før den sættes væk (ca. 5 minutter).
- ◆ Løft dampmoppen væk fra moppekluden (14), idet du løsner den fra velcrofastgørelsen ved at lægge vægt på stropen til fjernelse af moppeklud (14a).

## Montering/fjernelse af vandtanken (fig. C, D)

**Bemærk!** Fyld vandbeholderen (3) med rent vand fra hanen (Brug ikke tilsætningsstoffer eller kemikalier).

**Bemærk!** I områder med hårdt vand anbefales det at anvende deioniseret vand.

- ◆ Skub vandbeholderen (3) op og væk fra dampmoppens hovedenhed (2).
- ◆ Vandbeholderen kan tages hen til vandhanen for at blive fyldt.
- ◆ Løft hættten (3a) for at fylde.

**Advarsel!** Under fyldningen skal du holde vandbeholderen (3) lodret med hættten (3a) øverst.

**Advarsel!** Vandbeholderen rummer 1.2 liter. Overfyld ikke beholderen.

- ◆ Luk hættten (3a).

**Bemærk!** Sørg for, at hættten er sat forsvarligt på.

## Fastgørelse af vandbeholderen

- ◆ Skub vandbeholderen (3) ned ved hjælp af ribberne for at placere den i hovedenheden (2). Sørg for, at vandbeholderen sidder godt fast, for at skabe en forsegling.

## Tænd og sluk (fig. E)

- ◆ Tænd for apparatet ved at trykke på tænd/sluk-kontakten (1). Den hvide lampe (1c) lyser, når strømmen er tændt, og kedlen varmer op. Den grønne lampe (1b) lyser, når kedlen er nået op i temperatur. Brugeren skal trykke på udløseren på damphåndtaget (11b) for at skabe damp.
- ◆ Sluk for apparatet ved at trykke på tænd/sluk-kontakten (1).

**Forsigtig!** Lad aldrig dampmoppen blive stående på et sted på nogen form for overflade.

Stil altid dampmoppen understøttet i lodret stilling, når den står stille og sørg for, at dampmoppen er slukket, når den ikke er i brug.

**Forsigtig!** Tøm altid vandbeholderen i efter brug.

**Bemærk!** Når der påfyldes første gang, eller hvis der har været kørt tør, kan det tage op til 180 sekunder, før der frembringes damp.

Gulvets arbejdsflade	Indstilling
Træ/laminat	Min/lav dampindstilling
Fliser/vinyl	Mellemhøj dampindstilling
Sten/marmor	Maks/høj dampindstilling
Tilbehør	Indstilling
Fugebørste	Maks/høj dampindstilling
Lille børste	Maks/høj dampindstilling
Lille børste med kobberbørstehår	Maks/høj dampindstilling
Gummiskrabter til vinduer/tøj	Min/lav dampindstilling
Tapetfastgørelse	Maks/høj dampindstilling

**Bemærk:** Kontroller altid, at du bruger den korrekte dampindstilling, inden du bruger dampmoppen.

## Dampbrugergrenseflade

Denne dampmoppe er udstyret med et dampbrugergrensefladepanel, som viser 3 indikatorlamper (1a, 1b og 1c). Disse bruges til at vælge den rigtige indstilling for det aktuelle rengøringsarbejde.

- ◆ Tænd enheden ved at trykke på tænd/sluk-kontakten (1).
- ◆ Den hvide indikatorlampe (1c) lyser, når strømmen er tændt, og kedlen varmer op.
- ◆ Den grønne indikatorlampe (1b) lyser, når enheden er nået op i temperatur og er klar til brug.
- ◆ Brugeren skal skubbe låseknappen (11a) på damphåndtaget (11) fra den låste position.
- ◆ Tryk på udløseren (11b) på damphåndtaget (11) for at frembringe damp.
- ◆ Efter brug skal låseknappen (11a) på damphåndtaget (11) altid skubbes tilbage til den låste position.
- ◆ Den venstre indikatorlampe (1a) lyser, når vandbeholderen (3) er tom. Tag vandbeholderen (3) ud og fyld den med vand.
- ◆ Sluk for apparatet ved at trykke på tænd/sluk-kontakten (1).

**Bemærk:** Kontroller altid, at du bruger den korrekte indstilling, inden du bruger dampmoppen.

## Fastgørelse af tilbehør på damphåndtaget

**Advarsel!** Inspicer forseglingen mellem forbindelsespunktet på damphåndtaget og tilbehøret inden hver brug. Hvis forseglingen har en defekt eller er beskadiget, kontaktes det nærmeste autoriserede serviceværksted. Apparatet må ikke bruges.

**Advarsel!** Enheden bør slukkes, inden tilbehøret monteres.

## Fastgørelse af stort tilbehør (fig. F)

- ◆ Tilbehør 7,8 og 9 kan fastgøres direkte til enden af damphåndtaget.
- ◆ Juster tilbehøret, og skub det godt fast på damphåndtaget.

- ◆ Sørg for, at låsefunktionen er låst på plads, for at skabe en forsegling

**Vigtigt!** Alt tilbehør skal fastgøres til damphåndtaget (11) ved brug.

### Afmontering af et stort tilbehør

- ◆ Tryk på låsen, og træk tilbehøret væk fra damphåndtaget (11).

**Advarsel!** Lad enheden og alt tilbehør køle af, før det forsøges fjernet.

### Fastgørelse af småt børstetilbehør

- ◆ Fastgør dampkoncentratoren (8) til dampdysen
- ◆ Smått tilbehør 10,15,16 kan skubbes direkte over på dampkoncentratoren (8).
- ◆ Sørg for, at det lille tilbehør skubbes på for at skabe en forsegling, og at det forbliver på plads.

### Fjernelse af et lille tilbehør 10,15,16

- ◆ Træk tilbehør væk fra dampkoncentratoren (8).

**Advarsel!** Lad enheden og alt tilbehør køle af, før det forsøges fjernet.

### Påmontering af gummiskraberen på hånddysen 12, 9 (fig. I, J, K, L)

- ◆ Sæt bagsidekrogene på gummiskraberen (20) ind i hånddysens låse (18), som vist i figur K.
- ◆ Skub håndtagdysen ned, indtil kroppen er låst af gummiskrabereens forreste klemme (19), som vist i figur L.

### Fjernelse af gummiskraberen fra hånddysen

- ◆ Skub gummiskraberklemmen (19) fremad for at frigive hånddysen.
- ◆ Drej hånddysen og løsne hånddysens låse (18) fra bagsidekrogene på gummiskraberen (20), og træk dem fra hinanden.

### Gode råd mhp. optimal brug

#### Generelt

**Forsigtig!** Brug aldrig dampmoppen uden moppeklud.

- ◆ Støvsug eller fej altid gulvet, før du bruger dampmoppen.
- ◆ Den letteste måde at bruge gulvhovedet på er at holde gulvhovedrøret i en 45° vinkel og rengøre et lille område ad gangen med langsomme bevægelser.
- ◆ Brug kun vand uden tilsætningsstoffer eller kemikalier med din dampmoppe. Hårdnakkede pletter på vinyl- eller linoleumsgulve kan forhandles med et mildt rensmiddel og vand, før du bruger dampmoppen.

### Damprengøring med moppen

- ◆ Sæt damphåndtaget på udvidelsen af gulv.
- ◆ Læg moppekluden (14) på gulvet med velcro-siden opad.
- ◆ Pres dampmoppen let ned på moppekluden (14).

- ◆ Tilslut dampmoppen til ledningsnettet.
- ◆ Tryk på ON/OFF-knappen (1). Det tager ca. 180 sekunder for kedlen at varme op.
- ◆ Når kedlen er nået op i temperatur, skal flowhastigheden justeres til den ønskede indstilling, og der skal trykkes på udløseren (11b) for at starte dampflowet.
- ◆ Det tager nogle få sekunder for dampen at komme ind i moppekluden. Dampmoppen glider nu let hen over den overflade, der skal rengøres.
- ◆ Skub og træk dampmoppen langsomt hen over overfladen for at gøre hvert enkelt afsnit grundigt rent med dampen.
- ◆ Når du er færdig med at bruge dampmoppen, skal du slippe udløseren for at stoppe dampflowet og stille den tilbage i en oprejst position, mens du sørger for, at den er understøttet, og stille den på "OFF". Vent, til at dampmoppen er afkølet (ca. 10 minutter).

**Forsigtig!** Det er vigtigt at holde øje med vandstanden i vandbeholderen. Den røde indikatorlampe lyser, når beholderen er tom. For at fylde vand i vandbeholderen og fortsætte med rengøringen skal du stille moppen oprejst, mens du sørger for, at der ikke trykkes på dampudløseren.

**Forsigtig!** Lad aldrig dampmoppen blive stående på et sted på nogen form for overflade. Stil altid dampmoppen understøttet i lodret stilling, når den står stille og sørg for, at dampmoppen er slukket, når den ikke er i brug.

### Efter brug

- ◆ Vent indtil dampmoppen er afkølet.
- ◆ Træk stikket til dampmoppen ud af stikkontakten i væggen.
- ◆ Tøm vandbeholderen.
- ◆ Tag moppekluden (14) af, og vask den, så den er klar til næste brug (sørg for at følge vaskeanvisningerne trykt på moppekluden).

### Tilbehør

Apparatets ydeevne afhænger af det anvendte tilbehør. Tilbehør fra BLACK+DECKER er fremstillet efter høje kvalitetsstandarder og er designet til at forbedre apparatets ydeevne. Når du bruger dette tilbehør, vil udstyret yde optimalt.

### Damprensning af tøj (fig. G)

- ◆ Fastgør hånddysen (9) til damphåndtaget (11).
- ◆ Sæt hånddysesokken (13) omkring hånddysen (9).

**Bemærk!** Hånddysen (9) må ikke bruges uden hånddysesokken (13).

- ◆ Tilslut dampmoppen til ledningsnettet.
- ◆ Tryk på ON/OFF-knappen (1). Den grønne indikatorlampe lyser, når kedlen er nået op i temperatur.

**Bemærk!** Når der påfyldes første gang, eller hvis der har været kørt tør, kan det tage op til 180 sekunder, før der frembringes damp.

- Når kedlen er nået op i temperatur, skal du trykke på den ønskede dampindstillingsknap for at starte dampflowet.
- Når du er færdig med at bruge dampmoppen, skal du trykke på dampflowknappen for at stoppe dampflowet og stille den tilbage i en oprejst position, mens du sørger for, at den er understøttet, og stille den på "OFF". Vent, til at dampmoppen er afkølet (ca. 5 minutter).

## Brug af tapetfjerner

- Kontroller pudsets tilstand, inden du påbegynder arbejdet, da den varme damp kan løsne dårligt, porøst eller løst puds. Risikoen, for at pudset falder af, er størst i områder med revner og huller, eller hvis damppladen holdes for længe i samme position.
- Du kan konstatere, om pudset sidder fast, ved at banke et par steder på væggen med knoerne. Hvis det giver en hul lyd, anbefaler vi, at du fortsætter med stor forsigtighed.
- Afprøv i alle tilfælde tapetfjerner på et mindre område på ca. 100 cm<sup>2</sup>, inden du går i gang med arbejdet.
- Stop arbejdet, hvis der på noget tidspunkt går puds løs, eller det lyder, som om der opstår revner. Det er sikkert at bruge tapetfjerner på mur/gypsplader.
- Pga. varmen, som dette produkt frembringer, er der risiko for at beskadige eller sætte mærker på visse overflader, f.eks. gulvtæpper, boligtekstiler, bordplader, skabe m.m. Sørg for at anbringe et bræt eller en anden barriere under beholderen, så overfladen ikke beskadiges pga. varmen. Overtræk eller aviser er ikke nok.
- Det bedste resultat opnås ved at fjerne tapet med en skraber. Skrab tapet af i nedadgående retning.
- Anvend altid beskyttelse ved fjernelse af tapet fra loftet. Pas på den kondens, der opfanges af damppladen, da der kan dryppe varmt vand fra den. Tøm damppladen regelmæssigt, og brug den aldrig direkte over hovedet.
- Anbring altid damppladen i en egnet beholder, hvis den efterlades uden opsyn, selv for nogle få sekunder, og sørg for, at damppladen vender væk fra dig, når den bruges.

## Opbevaring af tilbehør (fig. H)

Små tilbehør opbevares sammen med gulvhovedet på bagsiden af enheden. Gulvhovedet og røret kan opbevares i rummet til opbevaring af tilbehør (4). Find kroen på bagsiden af gulvhovedet (6), og skub den ind i åbningen på opbevaringsrummet, som vist i (fig. H). Skub godt ned, og sørg for, at gulvhovedet og røret er stabile, før du slipper

## Miljøbeskyttelse



Særskilt bortskaffelse. Produkter og batterier mærket med dette symbol må ikke bortskaffes sammen med normalt husholdningsaffald.

Produkter og batterier indeholder materialer, der kan genindvindes eller genanvendes, hvilket reducerer efterspørgslen efter råvarer. Genbrug venligst elektriske produkter og batterier i henhold til lokale bestemmelser. Yderligere informationer findes på [www.2helpu.com](http://www.2helpu.com)

## Tekniske data

		BHSM2008 Type 1	BHSM2314 Type 1
Spænding	V <sub>se</sub>	230	230
Strøm	W	2000	2300
Tankkapacitet	ml	1200	1200
Vægt	kg	5,9	6,1

## Fejlsøgning

Følg vejledningen nedenfor, hvis apparatet ikke synes at fungere korrekt. Hvis dette ikke løser problemet, bedes du kontakte det lokale BLACK+DECKER-værksted. Der findes detaljerede oplysninger om dit nærmeste BLACK+DECKER-værksted på [www.2helpu.com](http://www.2helpu.com)

Problem	Trin	Mulig løsning
Dampmoppen starter ikke	1.	Kontroller at enheden er tilsuttet til vægkontakten
	2.	Kontroller at enheden er slået til ved hjælp af ON/OFF kontakten (1)
	3.	Kontroller sikringen i stikket
Dampmoppen producerer ingen damp	4.	Dampmoppen producerer først damp, når enheden er tændt. Den hvide indikatorlampe lyser, når strømmen er tændt. Den grønne indikatorlampe lyser, når kedlen har nået temperaturen, og når der er trykket på dampflowudløseren
	5.	Kontroller, at vandbeholderen er fuld. Hvis den røde indikatorlampe lyser, er beholderen tom. Bemærk: Når den først fyldes efter at have løbet tør, tager det noget tid for den at varme op. Den grønne indikatorlampe lyser, når kedlen er nået op i temperatur.
	6.	Kontroller trin 1, derefter 2, derefter 3, derefter 4
Dampmoppen stopper med at producere damp under brug	7.	Kontroller trin 4, derefter 5, derefter 3
Dampmoppen producerer for meget damp under brug	8.	Enheden har variable dampflowindstillinger. Indstil dampflowet til lav damp ved at dreje knappen på damphåndtaget.
Dampmoppen producerer for lidt damp under brug	9.	Enheden har variable dampflowindstillinger. Indstil dampflowet til høj damp ved at dreje knappen på damphåndtaget.
Hvor kan jeg få yderligere oplysninger/tilbehør	10.	<a href="http://www.blackanddecker.co.uk">http://www.blackanddecker.co.uk</a> <a href="http://www.blackanddecker.ie">http://www.blackanddecker.ie</a>

## Vedligeholdelse

Dit BLACK+DECKER-værktøj er beregnet til brug gennem lang tid med et minimum af vedligeholdelse. Vedvarende tilfredsstillende funktion er afhængig af, om apparatet plejes korrekt og rengøres regelmæssigt.





Advarsel! Inden udførelse af vedligeholdelsesarbejde på værkøjet.

- Tør dit apparat af med blød fugtig klud.
- Til hårdnakkede pletter kan du fugte kluden i en mild opløsning af sæbe og vand.

## Garanti

Black & Decker er overbevist om den gode kvalitet af sine produkter og giver forbrugerne en garanti på 24 måneder fra købsdatoen. Garantien er et tillæg til forbrugerens lovmæssige rettigheder og påvirker ikke disse. Garantien er gyldig inden for Det Forenede Kongerige, medlemsstaterne af Den Europæiske Union, Det Europæiske Frihandelsområde.

Når du gør krav på garantien, skal kravet være i overensstemmelse med Black&Decker vilkår og betingelser, og du skal indsende dokumentation for købet til sælgeren eller til en autoriseret reparatør. Vilkår og betingelser for Black & Decker 2 års garanti og det nærmeste autoriserede serviceværksted findes på internettet på [www.2helpU.com](http://www.2helpU.com), eller du kan kontakte dit lokale Black & Decker kontor på den adresse, der er angivet i denne vejledning.

Besøg venligst vores websted [www.blackanddecker.co.uk](http://www.blackanddecker.co.uk) for at registrere dit nye Black & Decker produkt og modtage opdateringer om nye produkter og specielle tilbud.

## Käyttötarkoitus

BLACK+DECKER BHSMP2008, BHSMP2314 -höyrymoppi on suunniteltu tiivistetyn kovapuun, laminaatin, linoleumin, vinyylin, keraamisten laattojen, kivi- ja marmorilattioiden puhdistamiseen. Nämä laitteet on tarkoitettu vain sisäkäyttöön kotitalouksissa.

## Turvaohjeet



**Varoitus! Lue kaikki turvallisuusvaroitukset ja ohjeet.** Alla olevien varoitusten ja ohjeiden noudattamisen laiminlyönti saattaa johtaa sähköiskuun, tulipaloon ja/tai vakavaan loukkaantumiseen.



**Varoitus!** Sähkölaitteita käytettäessä on aina noudatettava asianmukaisia turvaohjeita, jotta tulipalojen, sähköiskujen, henkilövahinkojen ja materiaalivaurioiden riski olisi mahdollisimman pieni.

- Käyttötarkoitus kuvataan ohjeissa.
- Muiden kuin ohjeissa suositeltujen lisävarusteiden tai -osien käyttö sekä laitteen käyttö muuhun kuin oppaassa suositeltuun tarkoitukseen voi aiheuttaa henkilövahingon vaaran.
- Säilytä nämä käyttöohje tulevaa tarvetta varten.
- Tämä laite soveltuu sellaisten henkilöiden käyttöön, joilla on fyysisiä, aistillisia tai henkisiä rajoitteita, kuten myös laitteen toimintaan perehtymättömien henkilöiden käyttöön, jos heitä valvotaan tai jos he ovat saaneet laitteen turvalliseen käyttöön liittyvää opastusta ja ymmärtävät laitteen käyttöön liittyvät vaarat. Älä anna lasten leikkiä laitteella.
- Lapsia tulee valvoa ja varmistaa, että he eivät leiki laitteella.
- Pistoke tulee irrottaa pistorasiasta ennen laitteen puhdistusta tai huoltoa.
- Nestettä tai höyryä ei saa suunnata kohti laitteita, joissa on sähköosia (esim. uunin sisäosa).
- Laitetta käytettäessä tulee olla varovainen sen tuottaman höyryn vuoksi.



- ◆ Pidä laite ja sen johto poissa alle 8-vuotiaiden lasten ulottuvilta, kun se on kytketty virtalähteeseen tai jäähtymässä.
- ◆ Jos virtajohto vahingoittuu, sen vaihtaminen on turvallisuussyistä jätettävä valmistajan, sen huoltopalvelun tai muun ammattitaitoisen henkilön tehtäväksi.
- ◆ Laitetta ei saa jättää ilman valvontaa, kun se on liitetty sähköverkkoon.
- ◆ Laitetta ei saa käyttää, jos se on pudonnut, jos siinä on vaurioiden merkkejä tai jos se vuotaa.
- ◆ Pidä laite lasten ulottumattomissa, kun se on päällä tai se jäähtyy.
- ◆ Täyttöaukkoa ei saa avata käytön aikana.
- ◆ Älä vedä tai kannä laitetta johdosta, käytä johtoa kahvana, sulje johtoa oven väliin, vedä johtoa terävien reunojen päältä tai anna johdon koskettaa kuumia pintoja.
- ◆ Älä käytä laitetta suljetuissa tiloissa, joissa on öljypohjaisista maaliohenteista peräisin olevia höyryjä, koin torjunta-aineita, syttyvää pölyä tai muita räjähtäviä tai myrkyllisiä höyryjä.
- ◆ Tarkista lattian tyyppi sen valmistajalta.
- ◆ Älä puhdistä laitteella nahkaa, vahattuja huonekaluja tai lattiaita, synteettisiä kuituja, samettia tai muita herkkiä, höyrylle alttiita materiaaleja.



**Varoitus!** Älä puhdistä laitteella tiivistämättömiä puu- tai laminaattilattiaita. Joillakin vahalla käsitellyillä pinnoilla ja joidenkin vahaamattomien lattioiden tapauksessa lämpö ja höyry voivat poistaa kiillon. Suosittelemme laitteen kokeilemista puhdistettavan pinnan erillisellä alueella ennen jatkamista. Suosittelemme myös, että perehdyt lattian valmistajan käyttö- ja hoito-ohjeisiin.

- ◆ Älä koskaan lisää kalkinpoistoainetta sisältäviä, aromaattisia, alkoholipitoisia tai puhdistusainetta sisältäviä tuotteita höyrypuhdistimeen, sillä ne voivat vahingoittaa laitetta tai vaarantaa sen käytön.

## Laitteen käyttö

- ◆ Älä avaa paineenalennusventtiiliä käytön aikana.
- ◆ Älä suuntaa höyryä ihmisiin, eläimiin, sähkölaitteisiin tai pistorasioihin.
- ◆ Älä altista vesisateelle.
- ◆ Älä upota laitetta veteen.
- ◆ Älä jätä laitetta ilman valvontaa.
- ◆ Älä jätä laitetta kytkettynä pistorasiaan, kun se ei ole käytössä.
- ◆ Älä koskaan irrota laitetta pistorasiasta vetämällä virtajohdosta.
- ◆ Pidä laitteen virtajohto etäällä lämmönlähteistä, öljystä ja terävistä reunoista.
- ◆ Älä käsittele höyrypuhdistuslaitetta märin käsin.

- ◆ Jos virrankatkaisin aktivoituu höyrytoiminnon käytön aikana, lopeta välittömästi laitteen käyttö ja ota yhteyttä asiakaspalvelukeskukseen. (Varo sähköiskun vaaraa.)
- ◆ Laite tuottaa erittäin kuumaa höyryä käyttöalueen puhdistamista varten. Tämä tarkoittaa, että höyrytyspää, puhdistuslevyt ja lisälaitteet kuumentuvat käytön aikana.

**Huomio!** Käytä aina sopivia kenkiä höyrymopin käytön ja sen lisälaitteiden vaihdon aikana. Älä käytä sandaaleja tai kärjestään avoimia jalkineita.

- ◆ Kansi voi kuumentua käytön aikana.
- ◆ Suulakkeen pinta voi kuumentua käytön aikana
- ◆ Laitteesta voi nousta höyryä käytön aikana. Laitetta käytettäessä on noudatettava varovaisuutta. **ÄLÄ** kosketa osia, jotka voivat kuumentua käytön aikana.
- ◆ Jos höyrymopin rungosta nousee höyryä, katkaise laitteen virta, irrota laite pistorasiasta ja anna sen jäähtyä. Ota yhteyttä lähimpään valtuutettuun huoltoliikkeeseen.
- ◆ Jos havaitset höyryä karkaavan paineenalennusventtiilistä (21), sammuta laite, irrota laite verkkovirrasta ja odota tunnin ajan, että laite jäähtyy, ja ruuvaa se sitten irti. Tarkista paineenalennusventtiilin tiivisteen kunto. Jos tiiviste on hyväkuntoinen, kierrä se kokonaan takaisin kiinni.

Jos höyryä karkaa edelleen korkista, ota yhteyttä lähimpään valtuutettuun huoltoliikkeeseen. **ÄLÄ JATKA LAITTEEN KÄYTTÖÄ.**

## Käytön jälkeen

- ◆ Irrota laite verkkovirrasta ja anna sen jäähtyä ennen puhdistamista.
- ◆ Kun laitetta ei käytetä, se on säilytettävä kuivassa paikassa.
- ◆ Varmista, että lapset eivät pääse käsiksi laitteisiin.
- ◆ Letkussa jäljellä oleva höyry on paineenalaista, kun laite on kytketty pois päältä. Anna laitteen jäähtyä ennen kuin painat liipaisinta.

## Tarkastus ja korjaus

- ◆ Irrota laite verkkovirrasta ja anna sen jäähtyä ennen ylläpito- tai huoltotoimenpiteiden suorittamista.
- ◆ Irrota laite virtalähteestä ja anna sen jäähtyä. Tarkista, ettei järjestelmässä ole höyryä painamalla höyrykahvan (11) höyrykytkintä ennen paineenalennusventtiilin (21) avaamista. Paineenalennusventtiiliä ei saa koskaan irrottaa ennen kuin laite on jäähtynyt ja kaikki höyry on poistunut järjestelmästä. Se on kierrettävä tiukasti kiinni huollon jälkeen. Se on kierrettävä tiukasti kiinni huollon jälkeen.
- ◆ Tarkista ennen laitteen käyttöä, ettei laitteessa ole vahingoittuneita tai viallisia osia. Tarkista osien ja kytkimien kunto sekä muut seikat, jotka voivat vaikuttaa laitteen toimintaan.

- ◆ Tarkista säännöllisesti, ettei virtajohto ole vahingoittunut.
- ◆ Älä käytä laitetta, jos jokin sen osa on vahingoittunut tai viallinen.
- ◆ Korjauta tai vaihdata vaurioituneet tai vialliset osat valtuutetussa huoltoliikkeessä.
- ◆ Älä yritä korjata tai vaihtaa muita kuin tässä käyttöohjeessa erikseen määriteltyjä osia.

## Jäännösriskit

Jäännösriskkejä voi esiintyä käyttäessä muita kuin varoituksissa mainittuja työkaluja. Nämä riskit voivat liittyä muun muassa virheelliseen tai pitkäaikaiseen käyttöön. Asiaan kuuluvien turvamääräysten noudattamisesta ja turvalaitteiden käytöstä huolimatta tiettyjä jäännösriskkejä ei voi välttää. Näitä ovat:

- ◆ liikkuvien osien koskettamisen aiheuttamat vahingot
- ◆ kuumien osien koskettamisen aiheuttamat vahingot
- ◆ osia tai lisälaitteita vaihdettaessa aiheutuneet vahingot
- ◆ laitteen pitkäaikaisen käytön aiheuttamat vahingot. Kun käytät laitetta pitkään, varmista, että pidät säännöllisesti taukoja.

## Sähköturvallisuus



**Varoitus!** Laitteen saa kytkeä ainoastaan maadoitettuun pistorasiaan. Tarkista aina, että verkkovirran jännite vastaa tyyppikilpeen merkittyä jännitettä.

Virtajohtoon pistokkeen tulee sopia pistorasiaan.

Älä koskaan tee pistokkeeseen mitään muutoksia.

Sähköiskun vaara vähenee, jos pistokkeisiin ei tehdä muutoksia ja ne yhdistetään vain niille tarkoitettuihin pistorasioihin.

- ◆ Jos virtajohto vahingoittuu, sen vaihtaminen on turvallisuussyistä jätettävä valmistajan tai valtuutetun BLACK+DECKER -huollon tehtäväksi.

## Luokan 1 tuote ja jatkojohdot

- ◆ Luokan 1 laite edellyttää maadoitetun, 3-johtimisen virtajohtoon käyttämistä.
- ◆ Käytä aina oikeanlaista jatkojohtoa, joka sopii tämän laitteen virransyöttöliitintään (katso kohta Tekniset tiedot). Laitteen kanssa voidaan käyttää enintään 30 m pitkää 1,50 mm<sup>2</sup>:n jatkojohtoa ilman tehon heikkenemistä. Tarkista jatkojohtoon kunto ennen sen käyttämistä. Vahingoittunut tai viallinen kaapeli on vaihdettava. Jos käytät johtokelaa, kelaa johto aina kokonaan auki.

## Laitteen merkinnät

Laitteessa on seuraavat merkit sekä päivämääräkoodi.



**HUOMIO!** Kuumaa höyryä



Pese 60 °C lämpötilassa. Älä käytä valkaisu- tai huuhteluainetta



**HUOMIO!** Kuuma pinta

## Ominaisuudet

Tässä laitteessa on kaikki tai joitakin seuraavista ominaisuuksista.

1. Virtakytkin
- 1a. Punainen merkkivalo - Vesisäiliö tyhjä -varoitusvalo
- 1b. Vihreä merkkivalo - Höyry valmis -merkkivalo
- 1c. Valkoinen merkkivalo - Virran merkkivalo
2. Pääyksikkö
3. Vesisäiliö
4. Lisävarusteiden säilytyskotel
- 5a. Pidennystanko A
- 5b. Pidennystanko B
6. Lattiasuulake säilytyskoudulla
7. Tapetinpoistaja (toimitetaan vain laitteen BHSMP2314 kanssa)
8. Höyryn kohdistin
9. Käsisuutin (2 toimitetaan BHSMP2314-laitteen mukana)
10. L-muotoinen suulake
11. Höyrykahva
- 11a. Lukituskytkin
- 11b. Höyrykahvan liipaisin
12. Lasta
13. Käsisuuttimen pussi (2 toimitetaan BHSMP2314-laitteen mukana)
14. Lattia-alusta (2 toimitetaan BHSMP2314-laitteen mukana)
15. Pyöreä harja (2 toimitetaan BHSMP2314-laitteen mukana)
16. Kupariharja (toimitetaan vain BHSMP2314-laitteen mukana)
17. Joustava letku
18. Kahvan suuttimen salvat
19. Lastan tappi
20. Lastan takakoukut
21. Paineenalennusventtiili

## Asennus



**Varoitus!** Ennen kuin yrität suorittaa mitään seuraavista toimenpiteistä, varmista, että laitteen virta on katkaistu, sähköpistoke on irrotettu sähköverkosta, laite on kylmä eikä se sisällä vettä.

### Lattiapidennyksen kiinnittäminen lattian puhdistuspäähän (kuva A)

- ◆ Työnnä pidennystanko B (5b) lattiasuulakkeeseen (6) varmistaen, että se napsahtaa hyvin paikalleen kuvan A mukaisesti.

### Kädessä pidettävän letkuyksikön kiinnittäminen lattiapidennykseen (kuva A)

- ◆ Paina höyrykahva (11) hyvin pidennystankoon (5a) ja varmista, että se napsahtaa paikoilleen.
- ◆ Kiinnitä pidennystanko A (5a) pidennystankoon B (5b).

**Varoitus!** Tarkista höyrykahvan (11) liitäntäkohdan ja pidennystankojen (5a ja 5b) välinen tiivis liitäntä ennen jokaista käyttökertaa. Jos sinetti on virheellinen tai se on vahingoittunut, ota yhteyttä lähimpään valtuutettuun huoltooliikkeeseen. Älä käytä laiteta.

### Puhdistuslevyn kiinnittäminen (kuva B)

Vaihtopuhdistuslevyjä saat BLACK+DECKER-jälleenmyyjältä (tuotenro FSMP20-XJ).

- ◆ Aseta puhdistuslevy (14) lattialle niin, että tarranauhapuoli on ylöspäin.

- ◆ Paina höyrymoppi kevyesti puhdistuslevyn päälle.

**Huomio!** Älä jätä höyrymoppia pidemmäksi ajaksi yhteen paikkaan. Aseta höyrymoppi tukevasti pystyasentoon.

Varmista, että höyrymopin virta on katkaistu, kun laite ei ole käytössä.

### Puhdistuslevyn irrottaminen

**Huomio!** Käytä aina sopivia kenkiä höyrymopin puhdistuslevyn vaihdon aikana.

Älä käytä sandaaleja tai kärjestään avoimia jalkineita.

- ◆ Palauta höyrymoppi pystyasentoon ja katkaise höyrymopin virta.
- ◆ Odota, kunnes höyrymoppi on jäähtynyt (n. 5 minuuttia).
- ◆ Nosta höyrymoppi pois puhdistuslevystä (14), irrota se tarrakiinnityksestä painamalla puhdistuslevyn poistokielekettä (14a).

### Vesisäiliön liittämisen/irrottamisen (kuvat C, D)

**Huomautus!** Täytä vesisäiliö (3) puhtaalla hanavedellä (älä käytä kemikaaleja tai lisäaineita).

**Huomautus!** Jos vesi on kovaa, suosittelemme deionisoidun veden käyttöä.

- ◆ Liu'uta vesisäiliö (3) ylös ja pois höyrymopin pääyksiköstä (2).
- ◆ Vesisäiliö voidaan viedä hanan alle täytettäväksi.
- ◆ Nosta korkkia (3a) säiliön täyttämiseksi.

**Varoitus!** Pidä vesisäiliö (3) täyttämisen aikana pystyasennossa korkki (3a) ylhäällä.

**Varoitus!** Vesisäiliön tilavuus on 1,2 litraa. Älä täytä säiliötä liikaa.

- ◆ Sulje korkki (3a).

**Huomautus!** Varmista, että korkki on kunnolla paikallaan.

### Vesisäiliön kiinnittäminen

- ◆ Liu'uta vesisäiliötä (3) alas käyttämällä kielekkeitä, jotta se sijoittuu pääyksikköön (2) ja varmista, että vesisäiliö on tiukasti paikallaan tiivisten muodostamiseksi.

### Käynnistäminen ja sammuttaminen (kuva E)

- ◆ Kytke laite päälle painamalla virtakytkintä (1).

Valkoinen merkkivalo (1c) syttyy, kun virta on päällä ja säiliö lämpenee. Vihreä merkkivalo (1b) syttyy, kun säiliö on saavuttanut oikean lämpötilan. Käyttäjän on painettava höyrykahvassa (11b) olevaa kytkintä höyryn tuottamiseksi.

- ◆ Kytke laite pois päältä painamalla virtakytkintä (1).

**Huomio!** Älä jätä höyrymoppia pidemmäksi ajaksi yhteen paikkaan.

Aseta höyrymoppi tukevasti pystyasentoon. Varmista, että höyrymopin virta on katkaistu, kun laite ei ole käytössä.

**Huomio!** Tyhjennä vesisäiliö aina käytön jälkeen.

**Huomaa!** Höyryn muodostuminen voi kestää 180 sekuntia ensimmäisen täytön tai kuivakäytön jälkeen.

Lattian/työtason pinta	Asetus
Puu/laminaatti	Minimitason/matala höyryasetus
Laatta/vinyyli	Keskikorkea höyryasetus
Kivi/marmori	Maksimitason/korkea höyryasetus
Lisävarusteet	Asetus
Laastiharja	Maksimitason/korkea höyryasetus
Pieni harja	Maksimitason/korkea höyryasetus
Pieni harja kupariharjaksilla	Maksimitason/korkea höyryasetus
Ikkuna-/tekstiililasta	Minimitason/matala höyryasetus
Tapettisuulake	Maksimitason/korkea höyryasetus

**Huomaa:** Tarkista aina ennen höyrymopin käyttöä, että käytät oikeaa höyryasetusta.

## Höyrytyksen käyttöpaneeli

Tämä höyrymoppi sisältää höyrytyksen käyttöpaneelin, jossa on 3 merkkivaloa (1a, 1b ja 1c). Näiden avulla voidaan valita puhdistustehtävän kannalta oikea toimintatila.

- ◆ Kytke virta laitteeseen painamalla virtakytkintä (1).
- ◆ Valkoinen merkkivalo (1c) syttyy, kun virta on päällä ja säiliö lämpenee.
- ◆ Vihreä merkkivalo (1b) syttyy, kun laite on lämmennyt ja käyttövalmis.
- ◆ Käyttäjän on liu'utettava höyrykahvan (11) lukituspainike (11a) lukitusasennosta.
- ◆ Paina höyrykahvan (11) kytkintä (11b) höyryn tuottamiseksi.
- ◆ Liu'uta aina käytön jälkeen höyrykahvan (11) lukituspainike (11a) takaisin lukitusasentoon.
- ◆ Vasen merkkivalo (1a) syttyy, kun vesisäiliö (3) on tyhjä. Irrota vesisäiliö (3) ja täytä se vedellä.
- ◆ Kytke laite pois päältä painamalla virtakytkintä (1).

**Huomaa:** Tarkista aina ennen höyrymopin käyttöä, että käytät oikeaa asetusta.

## Lisävarusteiden kiinnittäminen höyrykahvaan

**Varoitus!** Tarkista höyrykahvan liitäntäkohdan ja lisävarusteiden välinen tiivis liitäntä ennen jokaista käyttökertaa.

Jos sinetti on virheellinen tai se on vahingoittunut, ota yhteyttä lähimpään valtuutettuun huoltoliikkeeseen. Älä käytä laitetta.

**Varoitus!** Laite tulee sammuttaa ennen lisävarusteiden liittämistä.

## Lisävarusteiden kiinnittäminen (kuva F)

- ◆ Lisävarusteet 7,8 ja 9 voidaan kiinnittää suoraan höyrykahvan päähän.
- ◆ Kohdista lisävaruste ja paina se tiukasti höyrykahvaan.
- ◆ Varmista, että lukitustoiminto on lukittunut tiiviin liitännän muodostamiseksi.

**Tärkeää!** Kaikki lisävarusteet on kiinnitettävä höyrykahvaan (11) käyttöä varten.

## Suuren lisävarusteen irrottaminen

- ◆ Paina salpaa ja vedä lisävaruste irti höyrykahvasta (11).

**Varoitus!** Anna laitteen ja kaikkien lisävarusteiden jäähtyä ennen niiden irrottamista.

## Pienten harjojen kiinnittäminen

- ◆ Kiinnitä höyryn kohdistin (8) höyrysuuttimeen.
- ◆ Pienen lisävarusteet 10,15,16 voidaan työntää suoraan höyryn kohdistimeen (8).
- ◆ Varmista, että pieni lisävaruste työnnetään paikalleen tiivisteeseen muodostamiseksi ja se pysyy paikallaan.

## Pienen lisävarusteen irrottaminen 10,15,16

- ◆ Vedä lisävaruste pois höyryn kohdistimesta (8).
- Varoitus!** Anna laitteen ja kaikkien lisävarusteiden jäähtyä ennen niiden irrottamista.

## Lastan asentaminen käsisuuttimeen 12, 9 (kuvat I, J, K, L)

- ◆ Asenna lastan takakoukut (20) kahvan suuttimen salpoihin (18) kuvan K mukaisesti.
- ◆ Työnnä kahvan suutinta alas, kunnes runko lukittuu lastan (19) etutappiin kuvan L mukaisesti.

## Lastan irrottaminen käsisuuttimesta

- ◆ Vapauta käsisuutin työntämällä lastan (19) tappia eteenpäin.
- ◆ Kierrä käsisuutinta ja irrota käsisuuttimen salvat (18) lastan takakoukuista (20) ja vedä ne pois toisistaan.

## Vinkkejä parhaimman tuloksen saavuttamiseksi

### Yleistä

**Huomio:** Älä koskaan käytä höyrymoppia ilman puhdistuslevyä.

- ◆ Imuroi tai lakaise lattia aina ennen höyrymopin käyttöä.
- ◆ Helpoin tapa käyttää lattiasuulaketta on kallistaa lattiasuulakkeen putki 45 asteen kulmaan ja puhdistaa hitaasti pieni alue kerrallaan.

- ◆ Käytä höyrymopissa ainoastaan vettä. Älä käytä lisäaineita tai kemikaaleja. Vinyyli- tai linoleumilattioilla olevat pinnat tahrat voidaan poistaa käsittelemällä ne miedolla puhdistusaineella ja vedellä ennen höyrymopin käyttöä.

## Höyrypuhdistus mopin avulla

- ◆ Kiinnitä höyrykahva lattiapidennykseen.
- ◆ Aseta puhdistuslevy (14) lattialle niin, että tarranauhapuoli on ylöspäin.
- ◆ Paina höyrymoppi kevyesti puhdistuslevyn (14) päälle.
- ◆ Kytke höyrymoppi verkkovirtaan.
- ◆ Paina virtakytkintä (1). Säiliö lämpenee noin 180 sekunnissa.
- ◆ Kun säiliö on saavuttanut oikean lämpötilan, säädä virtausnopeus haluttuun asetukseen ja käynnistä höyryvirtaus painamalla kytkintä (11b).
- ◆ Kestää muutaman sekunnin, ennen kuin höyry pääsee puhdistuslevyyn. Höyrymoppi liukuu nyt kevyesti puhdistettavan pinnan yli.
- ◆ Puhdista pinta perusteellisesti liikuttamalla höyrymoppia hitaasti työntämällä ja vetämällä.
- ◆ Kun olet lopettanut höyrymopin käytön, vapauta kytkin pysäyttääksesi höyryn virtauksen, palauta laite pystyasentoon varmistuen sen hyvä tukevuus ja kytke laite pois päältä. Odota, kunnes höyrymoppi on jäähtynyt (n. 10 minuuttia).

**Huomio!** On tärkeää valvoa vesisäiliössä olevan veden määrää. Punainen merkkivalo syttyy, kun säiliö on tyhjä. Täytä vesisäiliö ja jatka puhdistamista nostamalla moppi pystyasentoon varmistuen, ettei höyrykytkintä paineta.

**Huomio!** Älä jätä höyrymoppia pidemmäksi ajaksi yhteen paikkaan. Aseta höyrymoppi tukevasti pystyasentoon. Varmista, että höyrymopin virta on katkaistu, kun laite ei ole käytössä.

## Käytön jälkeen

- ◆ Odota, kunnes höyrymoppi on jäähtynyt.
- ◆ Irrota höyrymoppi pistorasiasta.
- ◆ Tyhjennä vesisäiliö.
- ◆ Poista puhdistuslevy (14) ja pese se valmiiksi seuraavaa käyttökertaa varten (noudata puhdistuslevyyn painettuja pesuohjeita).

## Lisävarusteet

Laitteen suorituskyky riippuu käytetystä lisävarusteesta. Korkealaatuiset BLACK+DECKER-lisävarusteet on suunniteltu parantamaan laitteen suorituskykyä. Käyttämällä näitä lisävarusteita saat laitteestasi parhaan hyödyn.

## Tekstiilien höyrypuhdistus (kuva G)

- ◆ Kiinnitä käsisuutin (9) höyrykahvaan (11).
- ◆ Kiinnitä käsisuutimen pussi (13) käsisuutimen (9) ympärille.

**Huomautus!** Käsisuutinta (9) ei saa käyttää ilman käsisuutimen pussia (13).

- ◆ Kytke höyrymoppi verkkovirtaan.
- ◆ Paina virtakytkintä (1). Vihreä merkkivalo syttyy, kun säiliö on saavuttanut oikean lämpötilan.

**Huomautus!** Höyryn muodostuminen voi kestää 180 sekuntia ensimmäisen täyden tai kuivakäytön jälkeen.

- ◆ Kun säiliö on saavuttanut oikean lämpötilan, käynnistä höyryn virtaus painamalla vaadittua höyryn asetuspainiketta.
- ◆ Kun olet lopettanut höyrymopin käytön, paina höyrytyspainiketta pysäyttääksesi höyryn virtauksen, palauta laite pystyasentoon varmistuen sen hyvä tukevuus ja kytke laite pois päältä. Odota, kunnes höyrymoppi on jäähtynyt (n. 5 minuuttia).

## Tapetinpoistajan käyttö

- ◆ Tarkista kipsin kunto ennen työn aloittamista, sillä kuuma höyry voi irrottaa heikon, huokoisen tai huonosti kiinnitetyn kipsin. Kipsi irtoaa helpommin myös paikoista, joissa on halkeamia tai reikiä tai jos höyrytysosaa pidetään samassa paikassa liian kauan.
- ◆ Heikon kipsin huomaa naputtamalla seinää rystysillä muutamasta kohdasta. Jos seinästä kuuluu onnto ääni, suosittelemme jatkamaan työtä erittäin varovasti.
- ◆ Kokeile aina tapetinpoistajaa pienelle, noin 100 cm<sup>2</sup> kokoiselle alueelle, ennen kuin aloitat työn kunnolla.
- ◆ Lopeta työ, jos kipsiä jossain vaiheessa irtoaa tai kuulet murtumisäänen. Tapetinpoistajaa on turvallista käyttää kipsilevypinnoilla.
- ◆ Tuotteen aiheuttaman kuumuuden takia jotkin pinnat, kuten matot, pehmeät huonekalut, pöytälevyt ja kaapit, voivat vahingoittua tai niihin voi jäädä jälkiä. Estä tämä asettamalla puinen levy tai muu suoja säiliön alle, jolloin kuumuus ei vahingoita pintoja. Irtopäälliset tai sanomalehdet eivät sovellu tähän tarkoitukseen.
- ◆ Parhaat tulokset saat irrottamalla tapetin kaapimella. Irrota tapetti kaapimalla alaspäin suuntautuvalla liikkeellä.
- ◆ Käytä aina suojavälineitä, kun irrotat tapettia katosta. Varo höyrytysosaa tiivistyvää kosteutta, sillä siitä voi tippua kuumaa vettä. Tyhjennä höyrytysosa säännöllisesti äläkä koskaan käytä laitetta suoraan pään yläpuolella.
- ◆ Aseta höyrytysosa aina sopivaan säiliöön, kun jätät sen ilman valvontaa muutamankin sekunnin ajaksi, ja suuntaa höyrytysosa itsestään pois päin, kun se on käytössä.

## Lisävarusteiden säilytys (kuva H)

Pieni lisävarusteita ja lattiasuulaketta voidaan säilyttää laitteen takaosassa.

Lattiasuulake ja putki voidaan sijoittaa lisävarusteiden säilytyskoteloon (4). Paikanna lattiasuulakkeen (6) takaosassa oleva koukku ja liu'uta se säilytyskotelossa olevaan kiinnityspaikkaan (katso kuva H).

Paina tiukasti alas ja varmista, että lattiasuulake ja putki ovat vakaat ennen irrottamista.

## Ympäristönsuojelu



Toimita tämä laite kierrätykseen. Tällä symbolilla merkityt tuotteet ja akkuja ei saa hävittää tavallisen kotitalousjätteen mukana.

Tuotteissa ja akuissa on materiaaleja, jotka voidaan ottaa talteen tai kierrättää uudelleen käyttöä varten. Kierrätä sähkölaitteet ja akut paikallisten määräyksien mukaisesti. Lisätietoa on saatavilla osoitteessa [www.2helpU.com](http://www.2helpU.com)

## Tekniset tiedot

	BHSMP2008 Tyyppi 1	BHSMP2314 Tyyppi 1
Jännite	$V_{ac}$ 230	230
Teho	V 2000	2300
Säiliön tilavuus	ml 1200	1200
Paino	kg 5,9	6,1

## Vianmääritys

Jos laite ei näytä toimivan oikein, noudata seuraavia ohjeita. Jos tämä ei auta, ota yhteys paikalliseen BLACK+DECKER-huoltoliikkeeseen. Lähimmän BLACK+DECKER-korjausliikkeen tiedot löytyvät osoitteesta [www.2helpu.com](http://www.2helpu.com).

Ongelma	Vaihe	Mahdollinen ratkaisu
Höyrymoppia ei ole kytketty päälle	1.	Tarkista, että laite on kytketty pistorasiaan.
	2.	Tarkista, että laite on kytketty päälle virtakytkimestä (1)
	3.	Tarkista pistokkeen sulake
Höyrymoppi ei tuota höyryä	4.	Höyrymoppi tuottaa höyryä vasta, kun laite on kytketty päälle. Valkoinen merkkivalo syttyy, kun virta on päällä. Vihreä merkkivalo syttyy, kun säiliö on saavuttanut oikean lämpötilan ja höyryvirtauksen kytkintä on painettu.
	5.	Tarkista, että vesisäiliö on täysi. Jos punainen merkkivalo syttyy, säiliö on tyhjä. Huomaa: Ensimmäisen täytön tai kuivaamisen jälkeen lämpeneminen kestää jonkin aikaa. Vihreä merkkivalo syttyy, kun säiliö on saavuttanut oikean lämpötilan.
	6.	Tarkista kohta 1 ja sen jälkeen 2, 3 ja 4.
Höyrymoppi lakkaa tuottamasta höyryä käytön aikana	7.	Tarkista kohta 4, 5 ja 3.
Höyrymoppi tuottaa liian paljon höyryä käytön aikana	8.	Laitteen höyryvirtausasetukset ovat säädettyissä. Aseta höyryvirtaus matalalle höyrytasolle kääntämällä höyrykahvan säädintä.
Höyrymoppi tuottaa liian vähän höyryä käytön aikana	9.	Laitteen höyryvirtausasetukset ovat säädettyissä. Aseta höyryvirtaus korkeaan höyryasetukseen kääntämällä höyrykahvan säädintä.
Lisätietoa ja lisävarusteita	10.	<a href="http://www.blackanddecker.co.uk">http://www.blackanddecker.co.uk</a> <a href="http://www.blackanddecker.ie">http://www.blackanddecker.ie</a>

## Huolto

BLACK+DECKER-työkalu on suunniteltu toimimaan mahdollisimman pitkän aikaa mahdollisimman vähällä huollolla. Oikea käsittely ja säännöllinen puhdistus varmistavat laitteen ongelmattoman toiminnan.

**Varoitus!** Toimi seuraavasti ennen työkalun huoltoa.

- Pyyhi laite pehmeällä, kostealla liinalla.
- Pinttynyt lika voidaan poistaa miedolla saippuavesiliuoksella kostutetulla liinalla.

## Takuu

Black & Decker on vakuuttanut tuotteidensa korkeasta laadusta ja tarjoaa kuluttajille 24 kuukauden takuun, joka astuu voimaan ostopäivänä. Takuu on lisäys kuluttajan laillisiin oikeuksiin eikä se vaikuta niihin. Tämä takuu on voimassa kaikissa EU- ja ETA-maissa sekä Isossa-Britanniassa. Edellytyksenä takuun saamiselle on, että vaade täyttää Black & Deckerin ehdot ja että ostaja toimittaa ostotositteen jälleenmyyjälle tai valtuutetulle huoltoliikkeelle. Black & Deckerin kahden vuoden takuun ehdot ja lähimmän valtuutetun korjauspalvelun yhteystiedot ovat saatavilla osoitteessa [www.2helpU.com](http://www.2helpU.com) tai ottamalla yhteyttä paikalliseen Black & Deckerin toimipisteeseen tässä ohjekirjassa ilmoitettuihin osoitteisiin. Käy verkkosivuillemme osoitteessa [www.blackanddecker.fi](http://www.blackanddecker.fi) ja rekisteröi uusi Black & Decker -tuotteesi saadaksesi tietoa uusista tuotteista ja erikoistarjouksista.

(Μετάφραση των πρωτότυπων οδηγιών)

ΕΛΛΗΝΙΚΑ

## Προβλεπόμενη χρήση

Οι σφουγγαρίστρες ατμού BLACK+DECKER BHSMP2008, BHSMP2314 έχουν σχεδιαστεί για τον καθαρισμό δαπέδων από στεγανοποιημένη σκληρή ξυλεία, στεγανοποιημένο πολυστρωματικό υλικό (λαμινέ), λινοτάπητα, βινύλιο, κεραμικά πλακίδια, πέτρα και μάρμαρο. Αυτές οι συσκευές προορίζονται μόνο για οικιακή χρήση σε εσωτερικούς χώρους.

## Οδηγίες ασφαλείας



**Προειδοποίηση! Διαβάστε όλες τις προειδοποιήσεις ασφαλείας και όλες τις οδηγίες.** Η μη τήρηση των παρακάτω προειδοποιήσεων και οδηγιών μπορεί να προκαλέσει ηλεκτροπληξία, πυρκαγιά και/ή σοβαρές σωματικές βλάβες.





**Προειδοποίηση!** Κατά τη χρήση συσκευών που τροφοδοτούνται με ηλεκτρικό ρεύμα δικτύου, θα πρέπει να λαμβάνονται πάντα οι βασικές προφυλάξεις ασφαλείας, συμπεριλαμβανομένων και των παρακάτω, για τον περιορισμό του κινδύνου πυρκαγιάς, ηλεκτροπληξίας, τραυματισμού και υλικών ζημιών.

- ◆ Η προβλεπόμενη χρήση περιγράφεται σε αυτό το εγχειρίδιο.
- ◆ Τόσο η χρήση αξεσουάρ ή προσαρτημάτων, όσο και η πραγματοποίηση με αυτή τη συσκευή οποιασδήποτε εργασίας, πέραν αυτών που συνιστώνται στο παρόν εγχειρίδιο οδηγιών, μπορεί να εγκυμονεί κίνδυνο σωματικών βλαβών.
- ◆ Φυλάξτε αυτό το εγχειρίδιο για μελλοντική αναφορά.
- ◆ Αυτή η συσκευή μπορεί να χρησιμοποιηθεί από άτομα με μειωμένες σωματικές, αντιληπτικές ή διανοητικές ικανότητες ή άτομα χωρίς εμπειρία και γνώσεις, μόνο εφόσον τα άτομα αυτά επιτηρούνται ή τους έχουν δοθεί οδηγίες σχετικά με την ασφαλή χρήση της συσκευής και έχουν κατανοήσει τους κινδύνους που ενέχονται. Τα παιδιά δεν πρέπει να παίζουν με τη συσκευή.
- ◆ Τα παιδιά θα πρέπει να βρίσκονται υπό επίβλεψη ώστε να διασφαλίζεται ότι δεν παίζουν με τη συσκευή.
- ◆ Το φως πρέπει να αφαιρείται από την πρίζα πριν τον καθαρισμό ή τη συντήρηση της συσκευής.
- ◆ Το υγρό ή ο ατμός δεν πρέπει να κατευθύνεται προς εξοπλισμό που περιέχει ηλεκτρικά εξαρτήματα, όπως στο εσωτερικό φούρνων.
- ◆ Πρέπει να προσέχετε κατά τη χρήση της συσκευής, λόγω της ενεργής εξαγωγής ατμού.
- ◆ Φυλάσσετε τη συσκευή και το καλώδιο της μακριά από παιδιά μικρότερα των 8 ετών όταν η συσκευή τροφοδοτείται με ρεύμα ή ενώ η συσκευή κρυώνει μετά τη χρήση.
- ◆ Αν το καλώδιο τροφοδοσίας έχει υποστεί ζημιά, για να αποφύγετε κινδύνους το καλώδιο πρέπει να αντικατασταθεί από τον κατασκευαστή, τον αντιπρόσωπό του για τεχνική εξυπηρέτηση ή άλλα άτομα με παρόμοια εξουσιοδότηση.
- ◆ Η συσκευή πρέπει να βρίσκεται πάντα υπό επιτήρηση όταν είναι συνδεδεμένη με την παροχή ρεύματος δικτύου.
- ◆ Μη χρησιμοποιείτε τη συσκευή αν σας έχει πέσει ή αν υπάρχουν ορατές ενδείξεις ζημιάς ή διαρροής.
- ◆ Κρατάτε τη συσκευή μακριά από παιδιά όταν τροφοδοτείται με ρεύμα ή κατά το διάστημα που κρυώνει μετά τη χρήση.
- ◆ Μην ανοίγετε το άνοιγμα πλήρωσης κατά τη χρήση.

## Χρήση της συσκευής σας

- ◆ Μην ανοίξετε τη βαλβίδα ανακούφισης πίεσης κατά τη χρήση.
- ◆ Μην κατευθύνετε τον ατμό προς ανθρώπους, ζώα, ηλεκτρικές συσκευές ή ηλεκτρικές πρίζες.
- ◆ Μην εκθέσετε τον εξοπλισμό στη βροχή.
- ◆ Μη βυθίσετε τη συσκευή σε νερό.
- ◆ Μην αφήνετε τη συσκευή χωρίς επίβλεψη.
- ◆ Μην αφήνετε τη συσκευή συνδεδεμένη σε ηλεκτρική πρίζα όταν δεν είναι σε χρήση.
- ◆ Ποτέ μην αποσυνδέετε τη συσκευή από την πρίζα τραβώντας το καλώδιο τροφοδοσίας της.
- ◆ Διατηρείτε το καλώδιο τροφοδοσίας μακριά από πηγές θερμότητας, λάδια και αιχμηρά άκρα.
- ◆ Μη χειρίζεστε τον ατμοκαθαριστή με βρεγμένα χέρια.
- ◆ Μην τραβάτε ή μεταφέρετε τη συσκευή από το καλώδιο, μη χρησιμοποιείτε το καλώδιο ως λαβή, μην κλείνετε πόρτες πάνω στο καλώδιο, μην τραβάτε το καλώδιο γύρω από αιχμηρές γωνίες και μην εκθέτετε το καλώδιο σε θερμαινόμενες επιφάνειες.
- ◆ Μη χρησιμοποιείτε τη συσκευή σε κλειστό χώρο στον οποίο υπάρχουν ατμοί που εκπέμπονται από διαλυτική μπογιές με βάση το λάδι, ορισμένες ουσίες κατά των σκόρων, εύφλεκτη σκόνη ή άλλοι εκρηκτικοί ή τοξικοί ατμοί.

- ◆ Σχετικά με το είδος του δαπέδου συμβουλευτείτε τον κατασκευαστή του.
- ◆ Μη χρησιμοποιείτε τη συσκευή σε δέρμα, σε έπιπλα ή δάπεδα γυαλισμένα με κερί, σε συνθετικά υφάσματα, σε βελούδο ή σε άλλα υλικά που είναι ευαίσθητα σε ατμό.



**Προειδοποίηση!** Μη χρησιμοποιείτε τη συσκευή σε μη στεγανοποιημένα δάπεδα από ξύλο ή πολυστρωματικό υλικό (λαμινέ). Σε επιφάνειες που έχουν υποστεί επεξεργασία με κερί ή σε ορισμένα δάπεδα που δεν κερώνονται, η λάμψη μπορεί να χαθεί λόγω της θερμότητας και της δράσης του ατμού. Συνιστάται πάντα να εκτελείτε μια δοκιμή σε μια απομονωμένη περιοχή της επιφάνειας που χρειάζεται να καθαριστεί πριν προχωρήσετε. Επίσης συνιστούμε να ελέγχετε τις οδηγίες χρήσης και φροντίδας από τον κατασκευαστή του δαπέδου.

- ◆ Ποτέ μην τοποθετείτε προϊόντα απομάκρυνσης αλάτων, αρωματικά, οινόπνευματώδη ή απορρυπαντικά προϊόντα στον ατμοκαθαριστή, καθώς αυτό μπορεί να προκαλέσει ζημιά ή να τον καταστήσει ανασφαλής για χρήση.

- ♦ Εάν ενεργοποιηθεί ο ασφαλειοδιακόπτης του σπιτιού ενώ χρησιμοποιείται η λειτουργία ατμού, διακόψτε αμέσως τη χρήση του προϊόντος και επικοινωνήστε με το κέντρο εξυπηρέτησης πελατών. (Προσοχή στον κίνδυνο ηλεκτροπληξίας.)
- ♦ Η συσκευή εκπέμπει ιδιαίτερα καυτό ατμό για τον καθαρισμό της επιφάνειας χρήσης. Αυτό σημαίνει ότι η κεφαλή ατμού, τα εξαρτήματα καθαρισμού και τα πρόσθετα εξαρτήματα αποκτούν πολύ υψηλή θερμοκρασία κατά τη χρήση.

**Προσοχή!** Φοράτε πάντα κατάλληλα παπούτσια τόσο κατά τη χρήση όσο και κατά την αλλαγή των αξεσουάρ της σφουγγαρίστρας ατμού. Μη φοράτε παντόφλες ή παπούτσια που αφήνουν τα δάχτυλα ακάλυπτα.

- ♦ Κατά τη χρήση το καπάκι μπορεί να θερμανθεί.
- ♦ Η εξωτερική επιφάνεια του ακροστομίου μπορεί να αποκτήσει υψηλή θερμοκρασία κατά τη χρήση
- ♦ Κατά τη χρήση μπορεί να διαφύγει ατμός από τη συσκευή. Η χρήση αυτής της συσκευής πρέπει να γίνεται με προσοχή. ΜΗΝ αγγίζετε οποιαδήποτε εξαρτήματα καθώς είναι δυνατό να θερμανθούν κατά τη χρήση.
- ♦ Εάν διαπιστώσετε διαρροή ατμού από το σώμα της σφουγγαρίστρας ατμού, απενεργοποιήστε τη συσκευή, αποσυνδέστε την από την παροχή ρεύματος και αφήστε τη να κρυώσει.

Επικοινωνήστε με το πλησιέστερο εξουσιοδοτημένο κέντρο επισκευών.

- ♦ Αν παρατηρήσετε διαφυγή ατμού από τη βαλβίδα ανακούφισης πίεσης (21), απενεργοποιήστε τη μονάδα, αποσυνδέστε τη μονάδα από την παροχή ρεύματος δικτύου, περιμένετε μία ώρα να κρυώσει η μονάδα και μετά ξεβιδώστε τη βαλβίδα ανακούφισης πίεσης. Ελέγξτε την κατάσταση του στεγανοποιητικού μέσα στη βαλβίδα ανακούφισης πίεσης. Αν η στεγανοποίηση είναι σε καλή κατάσταση, βιδώστε τη βαλβίδα πάλι στη θέση της έως ότου σφίξει. Αν συνεχίσει η έξοδος ατμού από το καπάκι, επικοινωνήστε με το πλησιέστερό σας εξουσιοδοτημένο κέντρο επισκευών. **ΜΗ ΣΥΝΕΧΙΣΤΕ ΝΑ ΧΡΗΣΙΜΟΠΟΙΕΙΤΕ ΤΗ ΣΥΣΚΕΥΗ.**

### Μετά τη χρήση

- ♦ Αποσυνδέστε τη συσκευή και αφήστε τη να κρυώσει πριν τον καθαρισμό.
- ♦ Όταν η συσκευή δεν χρησιμοποιείται, πρέπει να φυλάσσεται σε ξηρό χώρο.
- ♦ Τα παιδιά δεν πρέπει να έχουν πρόσβαση σε αποθηκευμένες συσκευές.
- ♦ Μετά την απενεργοποίηση της μονάδας, μέσα στον εύκαμπτο σωλήνα υπάρχει υπολειπόμενος ατμός υπό πίεση. Αφήστε τη μονάδα να κρυώσει πριν πατήσετε τη σκανδάλη

## Επιθεώρηση και επισκευές

- ♦ Αποσυνδέστε τη συσκευή από την πρίζα και αφήστε τη να κρυώσει πριν την εκτέλεση οποιασδήποτε συντήρησης ή επισκευής.
- ♦ Αποσυνδέστε τη συσκευή από την πρίζα, αφήστε τη να κρυώσει και ελέγξτε ότι δεν υπάρχει ατμός στο σύστημα πατώντας τη σκανδάλη ατμού πάνω στη λαβή ατμού (11), πριν ξεβιδώσετε τη βαλβίδα ανακούφισης πίεσης (21). Ποτέ δεν πρέπει να ξεβιδώσετε τη βαλβίδα ανακούφισης πίεσης έως ότου κρυώσει η συσκευή και δεν έχει μείνει ατμός στο σύστημα. Μετά τη συντήρηση, βιδώστε πάλι πλήρως τη βαλβίδα ανακούφισης πίεσης μέχρι να εφαρμόσει σφιχτά.
- ♦ Πριν από τη χρήση, ελέγξτε τη συσκευή για τυχόν εξαρτήματα που παρουσιάζουν ζημιά ή βλάβη. Ελέγξτε αν υπάρχουν σπασμένα εξαρτήματα, ζημιά σε διακόπτες και οτιδήποτε άλλο μπορεί να επηρεάσει τη λειτουργία της.
- ♦ Ελέγχετε τακτικά το καλώδιο τροφοδοσίας για φθορά.
- ♦ Μη χρησιμοποιήσετε τη συσκευή αν οποιοδήποτε εξάρτημά της έχει υποστεί ζημιά ή βλάβη.
- ♦ Αναθέστε σε εξουσιοδοτημένο κέντρο επισκευών την επισκευή ή αντικατάσταση εξαρτημάτων που έχουν υποστεί ζημιά ή βλάβη.

- ♦ Ποτέ μην επιχειρήσετε να αφαιρέσετε ή να αντικαταστήσετε οποιοδήποτε εξάρτημα, εκτός από αυτά που καθορίζονται στο παρόν εγχειρίδιο.

## Υπολειπόμενοι κίνδυνοι

Κατά τη χρήση του εργαλείου μπορεί να δημιουργηθούν πρόσθετοι υπολειπόμενοι κίνδυνοι, οι οποίοι ενδέχεται να μη συμπεριλαμβάνονται στις προειδοποιήσεις ασφαλείας που εσωκλείονται. Αυτοί οι κίνδυνοι μπορεί να προκληθούν από κακή χρήση, παρατεταμένη χρήση κλπ. Ακόμα και με την τήρηση των σχετικών κανονισμών ασφαλείας και τη χρήση διατάξεων ασφαλείας, ορισμένοι υπολειπόμενοι κίνδυνοι δεν είναι δυνατόν να εξαλειφθούν. Σε αυτούς περιλαμβάνονται:

- ♦ Τραυματισμοί από επαφή με οποιαδήποτε κινούμενα μέρη.
- ♦ Τραυματισμοί από επαφή με καυτά εξαρτήματα.
- ♦ Τραυματισμοί κατά την αλλαγή οποιωνδήποτε εξαρτημάτων ή αξεσουάρ.
- ♦ Τραυματισμοί που προκαλούνται από παρατεταμένη χρήση της συσκευής. Όταν χρησιμοποιείτε οποιαδήποτε συσκευή για παρατεταμένες χρονικές περιόδους, βεβαιωθείτε να κάνετε τακτικά διαλείμματα.

## Ασφαλής χρήση ηλεκτρικού ρεύματος



**Προειδοποίηση!** Το προϊόν αυτό πρέπει να γειώνεται.

Ελέγχετε πάντα ότι η παροχή ρεύματος αντιστοιχεί στην τάση που αναφέρεται στην πινακίδα τεχνικών χαρακτηριστικών.

Τα φως ρευματοληψίας πρέπει να ταιριάζουν στην πρίζα.

Σε καμία περίπτωση μην τροποποιήσετε το φως, με κανένα τρόπο.

Τα φως που δεν έχουν υποστεί τροποποιήσεις και οι κατάλληλες πρίζες μειώνουν τον κίνδυνο ηλεκτροπληξίας.

- Αν το καλώδιο ρεύματος έχει υποστεί ζημιά, πρέπει να αντικατασταθεί από τον κατασκευαστή ή ένα εξουσιοδοτημένο κέντρο σέρβις BLACK+DECKER για την αποφυγή κινδύνου.

## Καλώδια προέκτασης και προϊόν κλάσης 1

- Επειδή η συσκευή σας είναι γειωμένη και κατασκευής κλάσης 1, πρέπει να χρησιμοποιείται καλώδιο 3 αγωγών.
- Χρησιμοποιείτε πάντα εγκεκριμένο καλώδιο προέκτασης, κατάλληλο για την ισχύ εισόδου αυτής της συσκευής (δείτε τεχνικά χαρακτηριστικά). Μπορείτε να χρησιμοποιήσετε ένα καλώδιο προέκτασης 1,50 mm<sup>2</sup> μήκους έως 30 m χωρίς απώλειες απόδοσης του εργαλείου. Πριν από τη χρήση, ελέγξτε προσεκτικά το καλώδιο προέκτασης για σημάδια ζημιάς, φθοράς και γήρανσης.

Αντικαταστήστε το καλώδιο προέκτασης αν παρουσιάσει ζημιά ή βλάβη. Όταν χρησιμοποιείτε καλώδιο σε καρούλι, πάντα ξετυλίγετε τελείως το καλώδιο.

## Ετικέτες πάνω στη συσκευή

Τα ακόλουθα εικονογράμματα μαζί με τον κωδικό ημερομηνίας εμφανίζονται πάνω στη συσκευή.



**ΠΡΟΣΟΧΗ!** Καυτός ατμός



Πλένετε στους 60 °C. Μη χρησιμοποιείτε χλωρίνη ή μαλακτικό ρούχων



**ΠΡΟΣΟΧΗ!** Καυτή επιφάνεια

## Χαρακτηριστικά

Στη συσκευή αυτή διατίθενται ορισμένα από τα παρακάτω χαρακτηριστικά ή όλα.

1. Διακόπτης ενεργοποίησης/ απενεργοποίησης (On/Off)
- 1a. Κόκκινη ενδεικτική λυχνία - Προειδοποιητική λυχνία "Δοχείο νερού κενό"
- 1b. Πράσινη ενδεικτική λυχνία - Λυχνία "Ατμός έτοιμος"
- 1c. Λευκή ενδεικτική λυχνία - Ένδειξη Ενεργής τροφοδοσίας
2. Κύρια μονάδα
3. Δοχείο νερού
4. Θήκη αποθήκευσης αξεσουάρ
- 5a. Κοντάρι προέκτασης A
- 5b. Κοντάρι προέκτασης B
6. Κεφαλή δαπέδου με άγκιστρο φύλαξης
7. Πλάκα αφαίρεσης ταπετσαρίας (Παρέχεται μόνο με τη μονάδα BHSMMP2314)
8. Συγκεντρωτής ατμού
9. Ακροστόμιο χειρός (παρέχονται 2 με τη μονάδα BHSMMP2314)
10. Ακροστόμιο σχήματος L
11. Λαβή ατμού
- 11a. Σύρτης ασφάλισης
- 11b. Σκανδάλη χειρολαβής ατμού
12. Μάκτρο
13. Κάλυμμα ακροστομίου λαβής (παρέχονται 2 με τη μονάδα BHSMMP2314)
14. Εξάρτημα καθαρισμού δαπέδου (παρέχονται 2 με τη

μονάδα BHSM2314)

15. Στρογγυλή βούρτσα (παρέχονται 2 με τη μονάδα BHSM2314)
16. Βούρτσα με χάλκινες τρίχες (παρέχεται μόνο με τη μονάδα BHSM2314)
17. Εύκαμπτος σωλήνας
18. Ασφαλίσεις ακροστομίου λαβής
19. Πείρος ασφάλισης μάρκρου
20. Πίσω άγκιστρα μάρκρου
21. Βαλβίδα ανακούφισης πίεσης

## Συναρμολόγηση



**Προειδοποίηση!** Πριν επιχειρήσετε οποιαδήποτε από τις παρακάτω οδηγίες, βεβαιωθείτε ότι η συσκευή είναι απενεργοποιημένη, έχει αποσυνδεθεί από την πρίζα, είναι κρύα και δεν περιέχει καθόλου νερό.

### Σύνδεση της προέκτασης δαπέδου στην κεφαλή καθαρισμού δαπέδου (Εικ. Α)

- ◆ Πιέστε το κοντάρι προέκτασης Β (5b) σταθερά μέσα στην κεφαλή δαπέδου (6) και βεβαιωθείτε ότι ασφαλίζει καλά στη θέση του με ήχο κλικ, όπως δείχνει η εικόνα Α.

### Σύνδεση της μονάδας εύκαμπτου σωλήνα χειρός στην προέκταση δαπέδου (Εικ. Α)

- ◆ Πιέστε τη λαβή ατμού (11) σταθερά μέσα στο κοντάρι προέκτασης Α (5a) και βεβαιωθείτε ότι ασφαλίζει καλά στη θέση της με ήχο κλικ.
- ◆ Συνδέστε το κοντάρι προέκτασης Α (5a) στο κοντάρι επέκτασης Β (5b)

**Προειδοποίηση!** Πριν από κάθε χρήση, επιθεωρήστε το στεγανοποιητικό ανάμεσα στο σημείο σύνδεσης στη λαβή ατμού (11) και τα κοντάρια προέκτασης (5a και 5b). Αν το στεγανοποιητικό δεν λειτουργεί σωστά ή παρουσιάζει ζημιές, επικοινωνήστε με το πλησιέστερο σας εξουσιοδοτημένο κέντρο επισκευών. Μη χρησιμοποιήσετε τη συσκευή.

### Σύνδεση ενός εξαρτήματος καθαρισμού (Εικ. Β)

Ανταλλακτικά εξαρτήματα καθαρισμού διατίθενται από τα τοπικά σας σημεία πώλησης προϊόντων BLACK+DECKER:- (αριθ. κατ. FSMP20-XJ).

- ◆ Τοποθετήστε ένα εξάρτημα καθαρισμού (14) πάνω στο δάπεδο, με την πλευρά με τις 'θλιές' νελο στραμμένη προς τα πάνω.
- ◆ Πιέστε ελαφριά τη σφουγγαρίστρα ατμού πάνω στο εξάρτημα καθαρισμού.

**Προσοχή!** Μην αφήνετε ποτέ τη σφουγγαρίστρα ατμού στο ίδιο σημείο σε οποιαδήποτε επιφάνεια για οποιοδήποτε χρονικό διάστημα. Πάντοτε τοποθετείτε τη σφουγγαρίστρα ατμού υποστηριζόμενη σε όρθια θέση όταν είναι σε στάση και να βεβαιώνετε ότι η σφουγγαρίστρα ατμού είναι απενεργοποιημένη όταν δεν χρησιμοποιείται.

## Αφαίρεση ενός εξαρτήματος καθαρισμού

**Προσοχή!** Πάντα φοράτε κατάλληλα παπούτσια όταν αλλάζετε το εξάρτημα καθαρισμού στη σφουγγαρίστρα ατμού. Μη φοράτε παντόφλες ή παπούτσια που αφήνουν τα δάχτυλα ακάλυπτα.

- ◆ Επαναφέρετε τη σφουγγαρίστρα ατμού στην όρθια θέση και απενεργοποιήστε την.
- ◆ Περιμένετε να κρυώσει η σφουγγαρίστρα ατμού (περίπου 5 λεπτά).
- ◆ Ανυψώστε τη σφουγγαρίστρα ατμού από το εξάρτημα καθαρισμού (14) ελευθερώνοντάς την από το σύστημα στερέωσης νελο ασκώντας βάρος στην προεξοχή αφαίρεσης του εξαρτήματος καθαρισμού (14a).

## Τοποθέτηση / Αφαίρεση του δοχείου νερού (Εικ. C, D)

**Σημείωση!** Γεμίστε το δοχείο νερού (3) με καθαρό νερό βρύσης (μη χρησιμοποιείτε κανενός είδους πρόσθετα ή χημικά).

**Σημείωση!** Σε περιοχές με σκληρό νερό, συνιστάται η χρήση αποιονισμένου νερού.

- ◆ Μετακινήστε το δοχείο νερού (3) προς τα πάνω απομακρύνοντάς το από την κύρια μονάδα (2) της σφουγγαρίστρας ατμού.
- ◆ Μπορείτε να πάρετε το δοχείο νερού στη βρύση για να το γεμίσετε.
- ◆ Ανυψώστε το καπάκι (3a) για να το γεμίσετε.

**Προειδοποίηση!** Κατά την πλήρωση, διατηρείτε το δοχείο νερού (3) σε όρθια θέση με τα καπάκι (3a) στο πάνω μέρος.

**Προειδοποίηση!** Το δοχείο νερού έχει χωρητικότητα 1,2 λίτρων. Μη γεμίζετε υπερβολικά το δοχείο.

- ◆ Κλείστε το καπάκι (3a).

**Σημείωση!** Βεβαιωθείτε ότι το καπάκι έχει κλείσει με ασφάλεια.

## Σύνδεση του δοχείου νερού

- ◆ Μετακινήστε το δοχείο νερού (3) προς τα κάτω χρησιμοποιώντας τις νευρώσεις για να ρυθμίσετε τη θέση του μέσα στην κύρια μονάδα (2) και διασφαλίστε ότι το δοχείο νερού έχει εδράσει σταθερά και στεγανοποιημένα η σύνδεση.

## Ενεργοποίηση και απενεργοποίηση (Εικ. Ε)

- ◆ Για να ενεργοποιήσετε τη συσκευή, πατήστε το διακόπτη ON/OFF (1). Η λευκή λυχνία (1c) θα ανάψει όταν ενεργοποιηθεί η τροφοδοσία ρεύματος, και η γεννήτρια ατμού θα θερμανθεί. Η πράσινη λυχνία (1b) θα ανάψει όταν η γεννήτρια ατμού έχει φθάσει σε θερμοκρασία λειτουργίας, οπότε ρέπει να πατήσετε τη σκανδάλη στη λαβή ατμού (11b) για να παραχθεί ατμός.
- ◆ Για να απενεργοποιήσετε τη συσκευή, πατήστε το διακόπτη ON/OFF (1).



**Προσοχή!** Μην αφήνετε ποτέ τη σφουγγαρίστρα ατμού στο ίδιο σημείο σε οποιαδήποτε επιφάνεια για οποιοδήποτε χρονικό διάστημα.

Πάντοτε τοποθετείτε τη σφουγγαρίστρα ατμού υποστηριζόμενη σε όρθια θέση όταν είναι σε στάση και να βεβαιώνετε ότι η σφουγγαρίστρα ατμού είναι απενεργοποιημένη όταν δεν χρησιμοποιείται.

**Προσοχή!** Πάντα αδειάζετε το δοχείο νερού μετά τη χρήση.

**Σημείωση!** κατά την πρώτη πλήρωση ή αν τελειώσει το νερό κατά τη λειτουργία, μπορεί να χρειαστούν μέχρι και 180 δευτερόλεπτα για να παραχθεί πάλι ατμός

Είδος επιφάνειας διατέδου	Ρύθμιση
Ξύλο/Πολυστρωματικό υλικό	Ελάχ./Χαμηλή ρύθμιση ατμού
Πλακίδιο/Βινύλιο	Μεσαία ρύθμιση ατμού
Πέτρα/Μάρμαρο	Μέγ./Υψηλή ρύθμιση ατμού
Αξεσουάρ	Ρύθμιση
Βούρτσα αρμών	Μέγ./Υψηλή ρύθμιση ατμού
Μικρή βούρτσα	Μέγ./Υψηλή ρύθμιση ατμού
Μικρή βούρτσα με χαλκίνες τρίχες	Μέγ./Υψηλή ρύθμιση ατμού
Μάκτρο παραθύρου / ενδυμάτων	Ελάχ./Χαμηλή ρύθμιση ατμού
Εξάρτημα εργασίας για ταπεσαρίες	Μέγ./Υψηλή ρύθμιση ατμού

**ΣΗΜΕΙΩΣΗ:** Ελέγχετε πάντα ότι χρησιμοποιείτε τη σωστή ρύθμιση ατμού πριν χρησιμοποιήσετε τη σφουγγαρίστρα ατμού.

## Διεπαφή χρήστη για τον ατμό

Αυτή η σφουγγαρίστρα ατμού διαθέτει έναν πίνακα διεπαφής χρήση για τον ατμό, που δείχνει 3 ενδεικτικές λυχνίες (1a, 1b και 1c). Αυτές χρησιμεύουν για την επιλογή του σωστού τρόπου λειτουργίας για τη δική σας συγκεκριμένη εργασία καθαρισμού.

- ◆ Ενεργοποιήστε τη συσκευή πατώντας τον διακόπτη On/Off (1).
- ◆ Η λευκή ενδεικτική λυχνία (1c) θα είναι αναμμένη όταν είναι ενεργοποιημένη η τροφοδοσία ρεύματος και η γεννήτρια ατμού θερμαίνεται.
- ◆ Η πράσινη ενδεικτική λυχνία (1b) ανάβει όταν η μονάδα έχει επιτύχει τη θερμοκρασία λειτουργίας και είναι έτοιμη για χρήση.
- ◆ Ο χρήστης πρέπει να μετακινήσει το κουμπί ασφάλισης (11a) της λαβής ατμού (11) από την κλειδωμένη θέση.
- ◆ Για να παραχθεί ατμός, πατήστε τη σκανδάλη (11b) της λαβής ατμού (11).
- ◆ Μετά τη χρήση, πάντα μετακινείτε το κουμπί ασφάλισης (11a) της λαβής ατμού (11) πίσω στην κλειδωμένη θέση.
- ◆ Η αριστερή ενδεικτική λυχνία (1a) είναι αναμμένη όταν το δοχείο νερού (3) είναι κενό, οπότε αφαιρέστε το δοχείο νερού (3) και γεμίστε το με νερό.
- ◆ Για να απενεργοποιήσετε τη συσκευή, πατήστε τον διακόπτη on/off (1).

**ΣΗΜΕΙΩΣΗ:** Ελέγχετε πάντα ότι χρησιμοποιείτε τη σωστή ρύθμιση πριν χρησιμοποιήσετε τη σφουγγαρίστρα ατμού.

## Σύνδεση αξεσουάρ στην λαβή ατμού

**Προειδοποίηση!** Πριν από κάθε χρήση, επιθεωρήστε το στεγανοποιητικό ανάμεσα στο σημείο σύνδεσης στη λαβή ατμού και τα αξεσουάρ. Αν το στεγανοποιητικό δεν λειτουργεί σωστά ή παρουσιάζει ζημιές, επικοινωνήστε με το πλησιέστερο σας εξουσιοδοτημένο κέντρο επισκευών. Μη χρησιμοποιήσετε τη συσκευή.

**Προειδοποίηση!** Η μονάδα πρέπει να απενεργοποιείται πριν τοποθετηθούν αξεσουάρ.

## Σύνδεση μεγάλων αξεσουάρ (Εικ. F)

- ◆ Τα αξεσουάρ 7,8 και 9 μπορούν να συνδεθούν απευθείας στην άκρη της λαβής ατμού.
- ◆ Ευθυγραμμίστε το αξεσουάρ και πιέστε το σταθερά πάνω στη λαβή ατμού.
- ◆ Βεβαιωθείτε ότι το εξάρτημα μανδάλωσης έχει ασφαλιστεί στη θέση του ώστε να σφραγιστεί

**Σημαντικό!** Όλα τα αξεσουάρ πρέπει να συνδεθούν στη λαβή ατμού (11) για να χρησιμοποιηθούν.

## Αφαίρεση ενός μεγάλου αξεσουάρ

- ◆ Πιέστε τη μανδάλωση και τραβήξτε το αξεσουάρ από τη λαβή ατμού (11).

**Προειδοποίηση!** Αφήστε τη συσκευή και όλα τα αξεσουάρ να κρυώσουν πριν επιχειρήσετε να αφαιρέσετε οτιδήποτε.

## Σύνδεση μικρών αξεσουάρ βούρτσας

- ◆ Σύνδεση του συγκεντρωτή ατμού (8) στο ακροστόμιο ατμού
- ◆ Τα μικρά αξεσουάρ 10,15,16 μπορούν να τοποθετηθούν απευθείας πάνω στον συγκεντρωτή ατμού (8).
- ◆ Βεβαιωθείτε ότι το μικρό αξεσουάρ έχει πιεστεί ώστε να σφραγιστεί η σύνδεση και να παραμείνει το αξεσουάρ με ασφάλεια στη θέση του.

## Αφαίρεση ενός μικρού αξεσουάρ 10,15,16

- ◆ Τραβήξτε το αξεσουάρ από τον συγκεντρωτή ατμού (8).
- Προειδοποίηση!** Αφήστε τη συσκευή και όλα τα αξεσουάρ να κρυώσουν πριν επιχειρήσετε να αφαιρέσετε οτιδήποτε.

## Τοποθέτηση του μάκτρού πάνω στο ακροστόμιο χειρός 12, 9 (Εικ. I, J, K, L)

- ◆ Τοποθετήστε τα πίσω άγκιστρα (20) του μάκτρού μέσα στις υποδοχές ασφάλισης (18) του ακροστομίου λαβής όπως δείχνει η εικόνα K.
- ◆ Πιέστε το ακροστόμιο λαβής προς τα κάτω έως ότου ο κορμός ασφαλιστεί από τον μπροστινό πείρο ασφάλισης του μάκτρού (19) όπως δείχνει η εικόνα L.



## Αφαίρεση του μάκτρου από το ακροστόμιο χειρός

- ♦ Πιέστε τον πείρο ασφάλισης του μάκτρου (19) προς τα εμπρός για ελευθερωθεί το ακροστόμιο χειρός.
- ♦ Περιστρέψτε το ακροστόμιο χειρός και ξεκουμπώστε τις μανδάλωσεις (18) της λαβής χειρός από τα πίσω άγκιστρα (20) του μάκτρου και τραβήξτε για να απομακρυνθούν μεταξύ τους.

## Συμβουλές για βέλτιστη χρήση

### Γενικά

**Προσοχή:** Ποτέ μη χρησιμοποιήσετε τη σφουγγαρίστρα ατμού χωρίς να έχετε πρώτα τοποθετήσει ένα εξάρτημα καθαρισμού.

- ♦ Πριν από τη χρήση της σφουγγαρίστρας ατμού, φροντίστε το πάτωμα να είναι καθαρισμένο είτε με ηλεκτρική σκούπα είτε με χειροκίνητη σκούπα.
- ♦ Ο ευκολότερος τρόπος χρήσης της κεφαλής δαπέδου είναι να γείρετε τον σωλήνα κεφαλής δαπέδου σε γωνία 45° και να καθαρίζετε αργά, καλύπτοντας μια μικρή περιοχή κάθε φορά.
- ♦ Με τη σφουγγαρίστρα ατμού χρησιμοποιείτε μόνο νερό, χωρίς πρόσθετα ή χημικά. Για να αφαιρέσετε επίμονους λεκέδες από δάπεδα βινυλίου ή λινοτάπητα, μπορείτε να τους προ-επεξεργαστείτε με ένα ήπιο απορρυπαντικό και λίγο νερό πριν από τη χρήση της σφουγγαρίστρας ατμού.

## Καθαρισμός με ατμό με τη σφουγγαρίστρα ατμού

- ♦ Τοποθετήστε τη λαβή ατμού στην προέκταση δαπέδου.
- ♦ Τοποθετήστε ένα εξάρτημα καθαρισμού (14) πάνω στο δάπεδο, με την πλευρά με τις "θλιές" velcro στραμμένη προς τα πάνω.
- ♦ Πιέστε ελαφρά τη σφουγγαρίστρα ατμού πάνω στο εξάρτημα καθαρισμού (14).
- ♦ Συνδέστε τη σφουγγαρίστρα ατμού στο ρεύμα δικτύου.
- ♦ Πιέστε το κουμπί ON/OFF (1). Χρειάζονται περίπου 180 δευτερόλεπτα για να θερμανθεί η γεννήτρια ατμού.
- ♦ Αφού η γεννήτρια ατμού έχει θερμανθεί σε θερμοκρασία λειτουργίας, προσαρμόστε τον ρυθμό ροής στην απαιτούμενη ρύθμιση και πατήστε τη σκανδάλη (11b) για να ξεκινήσει η ροή ατμού.
- ♦ Χρειάζονται μερικά δευτερόλεπτα για να εισέλθει ο ατμός στο εξάρτημα καθαρισμού. Η σφουγγαρίστρα ατμού θα γλιστράει τώρα εύκολα πάνω στην επιφάνεια που πρέπει να καθαριστεί.
- ♦ Μετακινείτε αργά τη σφουγγαρίστρα ατμού εμπρός-πίσω στην επιφάνεια για να καθαριστεί καλά με ατμό κάθε τμήμα.

- ♦ Όταν ολοκληρώσετε τη χρήση της σφουγγαρίστρας ατμού, ελευθερώστε τη σκανδάλη για να σταματήσετε τη ροή ατμού, επαναφέρετε τη συσκευή στην όρθια θέση και διασφαλίζοντας ότι σπηρίζεται καλά, και κατόπιν απενεργοποιήστε την. Περιμένετε να κρυώσει η σφουγγαρίστρα ατμού (περίπου 10 λεπτά).

**Προσοχή!** Είναι σημαντικό να παρακολουθείτε τη στάθμη του νερού στο δοχείο νερού. Η κόκκινη ενδεικτική λυχνία θα ανάψει όταν το δοχείο είναι κενό. Για να ξαναγεμίσετε το δοχείο νερού και να συνεχίσετε τον καθαρισμό, τοποθετήστε τη σφουγγαρίστρα σε όρθια θέση και βεβαιωθείτε ότι δεν είναι πατημένη η σκανδάλη ατμού.

**Προσοχή!** Μην αφήνετε ποτέ τη σφουγγαρίστρα ατμού στο ίδιο σημείο σε οποιαδήποτε επιφάνεια για οποιοδήποτε χρονικό διάστημα. Πάντοτε τοποθετείτε τη σφουγγαρίστρα ατμού υποστηριζόμενη σε όρθια θέση όταν είναι σε στάση και να βεβαιώνετε ότι η σφουγγαρίστρα ατμού είναι απενεργοποιημένη όταν δεν χρησιμοποιείται.

## Μετά τη χρήση

- ♦ Περιμένετε να κρυώσει η σφουγγαρίστρα ατμού.
- ♦ Αποσυνδέστε τη σφουγγαρίστρα ατμού από την πρίζα τοίχου.
- ♦ Αδειάστε το δοχείο νερού.
- ♦ Αφαιρέστε το εξάρτημα καθαρισμού (14) και πλύνετε το ώστε να είναι έτοιμο για την επόμενη χρήση (προσέξτε να ακολουθήσετε τις οδηγίες φροντίδας πλυσίματος που είναι τυπωμένες στο εξάρτημα καθαρισμού).

## Αξεσουάρ

Η απόδοση της συσκευής σας εξαρτάται από τα αξεσουάρ που χρησιμοποιούνται. Τα αξεσουάρ της BLACK+DECKER έχουν σχεδιαστεί και κατασκευαστεί με βάση πρότυπα υψηλής ποιότητας και είναι σχεδιασμένα να ενισχύουν την απόδοση της συσκευής σας. Χρησιμοποιώντας αυτά τα αξεσουάρ, θα εξασφαλίσετε την καλύτερη δυνατή απόδοση του εξοπλισμού σας.

## Καθαρισμός ενδυμάτων με ατμό (Εικ. G)

- ♦ Συνδέστε το ακροστόμιο χειρός (9) στη λαβή ατμού (11).
- ♦ Συνδέστε το κάλυμμα ακροστομίου χειρός (13) γύρω από το ακροστόμιο χειρός (9).

**Σημείωση!** Το ακροστόμιο χειρός (9) δεν πρέπει να χρησιμοποιείται χωρίς το κάλυμμα ακροστομίου χειρός (13).

- ♦ Συνδέστε τη σφουγγαρίστρα ατμού στο ρεύμα δικτύου.
- ♦ Πιέστε το κουμπί ON/OFF (1). Η πράσινη ενδεικτική λυχνία θα ανάψει όταν η γεννήτρια ατμού έχει φθάσει σε θερμοκρασία λειτουργίας.

**Σημείωση!** Κατά την πρώτη πλήρωση ή αν τελειώσει το νερό κατά τη λειτουργία, μπορεί να χρειαστούν μέχρι και 180 δευτερόλεπτα για την παραγωγή ατμού.

- ♦ Αφού η γεννήτρια ατμού έχει θερμανθεί σε θερμοκρασία λειτουργίας, πατήστε το απαιτούμενο κουμπί ρύθμισης ατμού για να ξεκινήσετε τη ροή ατμού.

- Όταν ολοκληρώσετε τη χρήση της σφουγγαρίστρας ατμού, πατήστε το κουμπί ροής ατμού για να σταματήσετε τη ροή ατμού, επαναφέρετε τη συσκευή στην όρθια θέση διασφαλίζοντας ότι υποστηρίζεται καλά και απενεργοποιήστε τη συσκευή. Περιμένετε να κρυώσει η σφουγγαρίστρα ατμού (περίπου 5 λεπτά).

## Χρήση του εξαρτήματος αφαίρεσης ταπετσαρίας

- Ελέγξτε την κατάσταση του σοβά προτού ξεκινήσετε να εργάζεστε, καθώς ο ατμός υψηλής θερμοκρασίας μπορεί να προκαλέσει χαλάρωση σε χαμηλής αντοχής, πορώδη ή ανεπαρκώς συγκολλημένο σοβά. Επίσης, ο σοβάς χαλαρώνει πιο γρήγορα σε σημεία όπου υπάρχουν ρωγμές ή τρύπες ή εάν η πλάκα ατμού κρατηθεί στην ίδια θέση για μεγάλο χρονικό διάστημα.
- Μπορείτε να διαπιστώσετε εάν ο σοβάς σας είναι χαμηλής αντοχής χτυπώντας μερικά σημεία των τοίχων με τις αρθρώσεις των δαχτύλων σας. Εάν ακούγεται υπόκωφος ήχος, σας συνιστούμε να προχωρήσετε επιδεικνύοντας πολύ μεγάλη προσοχή.
- Σε κάθε περίπτωση, κάντε μια δοκιμή με το εξάρτημα αφαίρεσης ταπετσαρίας σε μια μικρή επιφάνεια, περίπου 100 cm<sup>2</sup>, προτού ξεκινήσετε να εργάζεστε κανονικά.
- Εάν σε οποιοδήποτε στάδιο της εργασίας σας, ο σοβάς τελειώματος χαλαρώσει ή ακουστεί ήχος ραγίσματος, μην συνεχίσετε. Η συσκευή αφαίρεσης ταπετσαρίας μπορεί να χρησιμοποιηθεί με ασφάλεια σε επιφάνειες ξηρής τοιχοποιίας/γυψοσανίδας.
- Λόγω της θερμότητας που παράγεται από αυτό το προϊόν, είναι πιθανό να προκληθούν σημάδια ή βλάβες σε ορισμένες επιφάνειες όπως χαλιά, μαλακά έπιπλα, τραπεζία, ερμάρια κλπ. Για να μη συμβεί αυτό, τοποθετήστε μια ξύλινη σανίδα ή άλλο διαχωριστικό αντικείμενο κάτω από τη γεννήτρια ατμού, προκειμένου να αποτραπούν τυχόν βλάβες στην επιφάνεια από τη θερμότητα. Φύλλα προστασίας από σκόνη ή εφημερίδες δεν ενδείκνυνται για το σκοπό αυτό.
- Για άριστα αποτελέσματα, αφαιρέστε την ταπετσαρία με ζύστρα. Ξύψτε την ταπετσαρία με κατεύθυνση προς τα κάτω.
- Φοράτε πάντοτε προστατευτικό εξοπλισμό κατά την αφαίρεση ταπετσαρίας από το ταβάνι. Προσέχετε το συμπύκνωμα που συγκεντρώνεται στην πλάκα ατμού, καθώς μπορεί να στάξει καυτό νερό. Αδειάζετε τακτικά την πλάκα ατμού και μην την χρησιμοποιείτε ποτέ ακριβώς πάνω από το κεφάλι σας.
- Τοποθετείτε πάντοτε την πλάκα ατμού μέσα σε κατάλληλο δοχείο όταν αφήνετε τη μονάδα χωρίς επιτήρηση, ακόμα και για λίγα δευτερόλεπτα, και κρατάτε την πλάκα ατμού στραμμένη αντίθετα από εσάς κατά τη χρήση.

## Φύλαξη των αξεσουάρ (Εικ. Η)

Τα μικρά αξεσουάρ και η κεφαλή δαπέδου φυλάσσονται στο πίσω μέρος της μονάδας.

Η κεφαλή δαπέδου και ο σωλήνας μπορούν να τοποθετηθούν στη θήκη αποθήκευσης αξεσουάρ (4). Εντοπίστε το άγκιστρο στο πίσω μέρος της κεφαλής δαπέδου (6) και περάστε το μέσα στην υποδοχή που βρίσκεται στο σημείο φύλαξης όπως φαίνεται στην (Εικ. Η). Πιέστε σταθερά κάτω και βεβαιωθείτε ότι η κεφαλή δαπέδου και ο σωλήνας είναι σταθερά πριν τα απελευθερώσετε

## Προστασία του περιβάλλοντος



Χωριστή συλλογή. Τα προϊόντα και οι μπαταρίες που επιστημούνται με αυτό το σύμβολο δεν πρέπει να απορρίπτονται μαζί με τα κανονικά οικιακά απορρίμματα.

Τα προϊόντα και οι μπαταρίες περιέχουν υλικά που μπορούν να ανακτηθούν ή να ανακυκλωθούν, ώστε να μειωθούν οι ανάγκες για πρώτες ύλες. Παρακαλούμε να ανακυκλώνετε τα ηλεκτρικά προϊόντα και τις μπαταρίες σύμφωνα με τους τοπικούς κανονισμούς. Περισσότερες πληροφορίες διατίθενται στον ιστότοπο [www.2helpu.com](http://www.2helpu.com)

## Τεχνικά χαρακτηριστικά

	BHSMP2008 Τύπος 1	BHSMP2314 Τύπος 1
Τάση	V <sub>ac</sub>	230
Τροφοδοσία	W	2000
Χωρητικότητα δοχείου	ml	1200
Βάρος	kg	5,9
		6,1

## Αντιμετώπιση προβλημάτων

Αν η συσκευή σας φαίνεται να μη λειτουργεί σωστά, ακολουθήστε τις παρακάτω οδηγίες. Αν αυτό δεν σας βοηθήσει να επιλύσετε το πρόβλημα, επικοινωνήστε με το πλησιέστερο κέντρο επισκευών της BLACK+DECKER. Τα στοιχεία του πλησιέστερου σας κέντρου επισκευών BLACK+DECKER μπορείτε να τα βρείτε στον ιστότοπο '[www.2helpu.com](http://www.2helpu.com)'

Πρόβλημα	Βήμα	Πιθανή λύση
Η σφουγγαρίστρα ατμού δεν ενεργοποιείται	1.	Ελέγξτε ότι η μονάδα είναι συνδεδεμένη στην πρίζα τοίχου
	2.	Ελέγξτε εάν η μονάδα είναι ενεργοποιημένη χρησιμοποιώντας τον διακόπτη ON/OFF (1)
	3.	Ελέγξτε την ασφάλεια στο φως

Πρόβλημα	Βήμα	Πιθανή λύση
Η σφουγγαρίστρα ατμού δεν παράγει ατμό	4.	Η σφουγγαρίστρα ατμού θα παράγει ατμό μόνο αφού έχει ενεργοποιηθεί η μονάδα. Η λευκή ενδεικτική λυχνία θα ανάψει όταν είναι ενεργοποιημένη η προροσσία ρεύματος. Η πράσινη ενδεικτική λυχνία θα ανάψει όταν η γεννήτρια ατμού είναι σε θερμοκρασία λειτουργίας και τότε η σκανδάλη ροής ατμού έχει πατηθεί για ενεργοποίηση.
	5.	Ελέγξτε ότι το δοχείο νερού είναι γεμάτο. Η κόκκινη ενδεικτική λυχνία ανάβει όταν το δοχείο είναι κενό. ΣΗΜΕΙΩΣΗ: Μετά την πρώτη πλήρωση ή αφού τελειώσει το νερό, θα χρειαστεί χρόνος για τη θέρμανση, η πράσινη ενδεικτική λυχνία θα ανάψει όταν η γεννήτρια ατμού έχει φθάσει σε θερμοκρασία λειτουργίας.
	6.	Δείτε με τη σειρά το βήμα 1, το βήμα 2, το βήμα 3, μετά το 4
Η σφουγγαρίστρα ατμού σταματά να παράγει ατμό κατά τη χρήση	7.	Ελέγξτε το βήμα 4, μετά το βήμα 5, μετά το βήμα 3
Η σφουγγαρίστρα ατμού παράγει πάρα πολύ ατμό κατά τη χρήση	8.	Η μονάδα έχει διάφορες ρυθμίσεις ροής ατμού. Θέστε τη ροή ατμού στη χαμηλή τιμή περιστρέφοντας τον διακόπτη επιλογής στη λαβή ατμού.
Η σφουγγαρίστρα ατμού παράγει πολύ λίγο ατμό κατά τη χρήση	9.	Η μονάδα έχει διάφορες ρυθμίσεις ροής ατμού. Θέστε τη ροή ατμού στη υψηλή τιμή ατμού περιστρέφοντας τον διακόπτη επιλογής στη λαβή ατμού.
Που μπορώ να βρω περισσότερες πληροφορίες/αξεσουάρ	10.	<a href="http://www.blackanddecker.co.uk">http://www.blackanddecker.co.uk</a> <a href="http://www.blackanddecker.ie">http://www.blackanddecker.ie</a>

## Συντήρηση

Το εργαλείο BLACK+DECKER που έχετε στην κατοχή σας έχει σχεδιαστεί έτσι ώστε να λειτουργεί για μεγάλο χρονικό διάστημα με την ελάχιστη δυνατή συντήρηση. Η συνεχής ικανοποιητική λειτουργία εξαρτάται από τη σωστή φροντίδα και τον τακτικό καθαρισμό.



**Προειδοποίηση!** Πριν πραγματοποιήσετε οποιοδήποτε συντήρηση στο εργαλείο.

- Σκουπίστε τη συσκευή σας χρησιμοποιώντας ένα μαλακό υγρό πανί.
- Για επίμονους λεκέδες, μπορείτε να χρησιμοποιήσετε ένα ήπιο διάλυμα σαπουνιού με νερό για να υγράνετε το πανί σας.

## Εγγύηση

Η Black & Decker είναι σίγουρη για την ποιότητα των προϊόντων της και προσφέρει στους καταναλωτές εγγύηση 24 μηνών από την ημερομηνία αγοράς. Αυτή η εγγύηση αποτελεί πρόσθετη παροχή και με κανένα τρόπο δεν παραβάλλεται τα νόμιμα δικαιώματά σας. Η εγγύηση ισχύει ενόσ της επικράτειας του Ηνωμένου Βασιλείου, των χωρών μελών της Ευρωπαϊκής Ένωσης και της Ευρωπαϊκής Ζώνης Ελευθέρων Συναλλαγών καθώς και του Ηνωμένου Βασιλείου.

Για να υποβάλετε αξίωση βάσει της εγγύησης, η αξίωση θα πρέπει να είναι σύμφωνη με τους Όρους και Προϋποθέσεις της Black&Decker και θα χρειαστεί να υποβάλετε απόδειξη αγοράς στον πωλητή ή σε εξουσιοδοτημένο αντιπρόσωπο σέρβις. Μπορείτε να αποκτήσετε τους Όρους και προϋποθέσεις της εγγύησης 2 ετών της Black&Decker και να μάθετε την τοποθεσία του πλησιέστερου εξουσιοδοτημένου αντιπροσώπου σέρβις στο Internet στο [www.2helpU.com](http://www.2helpU.com), ή επικοινωνώντας με το τοπικό σας γραφείο Black & Decker στη διεύθυνση που υποδεικνύεται στο παρόν χειρίδιο. Παρακαλούμε επισκεφθείτε την ιστοσελίδα μας [www.blackanddecker.gr](http://www.blackanddecker.gr) για να καταχωρίσετε το νέο σας προϊόν Black & Decker και για να ενημερώνεστε για τα νέα προϊόντα και τις ειδικές προσφορές.

(Original talimatların Çeviri)

TÜRKÇE

## Kullanım amacı

BLACK+DECKER BHSMP2008, BHSMP2314 buharlı paspaslarınız, yalıtımlı parke, yalıtımlı laminat, linolyum, vinil, seramik karo, taş ve mermer zeminlerin temizliği için tasarlanmıştır. Bu cihazlar yalnızca kapalı mekanda ev kullanımı için tasarlanmıştır.

## Güvenlik Talimatları



**Uyarı! Bütün güvenlik uyarılarını ve talimatlarını mutlaka okuyun.** Aşağıda listelenen uyarılara ve talimatlara uyulmaması, elektrik çarpması, yangın ve/veya ciddi yaralanmalarla sonuçlanabilir.



**Uyarı! Şebekeyle çalışan cihazları kullanırken, yangın tehlikesini, elektrik çarpması riskini, kişisel yaralanmaları ve maddi zararı azaltmak için aşağıdaki maddelerin de yer aldığı temel emniyet önlemlerine daima uyulmalıdır.**

- Cihazın kullanım amacı bu kılavuzda açıklanmıştır.

- ◆ Cihazın bu kılavuzda önerilenlerden başka aksesuar ve ek parçalarla kullanılması ya da başka amaçlarla çalıştırılması yaralanmalara yol açabilir.
- ◆ İleride bakmak üzere bu kılavuzu saklayın.
- ◆ Bu cihaz, fiziksel, duyuşsal veya zihinsel kapasitesi sınırlı olan ya da yeterli deneyim ve bilgiye sahip olmayan kişiler tarafından, ancak cihazın güvenli bir şekilde kullanımına ilişkin gözetim ve yönlendirme bulunması ve tehlikelerin farkında olunması şartıyla kullanılabilir. Çocuklar cihazla oynamamalıdır.
- ◆ Çocukların cihazla oynamadığından emin olun.
- ◆ Cihazı temizlemeden veya bakımını yapmadan önce fişi prizden çıkarmalısınız.
- ◆ Sıvı veya buhar; fırınların içi gibi elektrikli bileşenler içeren ekipmanlara doğru yönlendirilmemelidir.
- ◆ Buhar çıkışından dolayı cihazı kullanırken dikkatli olunması gerekir.
- ◆ Cihazın fişi prize takılı olduğunda veya cihaz soğurken, cihazı ve kablosunu 8 yaşından küçük çocukların erişemeyeceği bir yerde saklayın.
- ◆ Kablo zarar görürse, tehlikeli bir durum oluşmasını önlemek için üretici, servis bakım merkezi veya benzeri kalifiye kişiler tarafından değiştirilmelidir.
- ◆ Cihaz, elektrik prizine bağlıyken gözetimsiz, başıboş bırakılmamalıdır.
- ◆ Cihaz düşürülmüşse, gözle görülür hasar belirtileri varsa veya sızıntı yapıyorsa kullanılmamalıdır.

- ◆ Cihazın fişi prize takılı olduğunda veya cihaz soğurken, cihazı çocukların erişemeyeceği bir yerde saklayın.
- ◆ Kullanım sırasında doldurma ağzı açılmamalıdır.

## Cihazın kullanılması

- ◆ Kullanım sırasında basınç tahliye valfini açmayın.
- ◆ Buharı doğrudan insanlara, hayvanlara, elektrikli aletlere veya prizlere yöneltmeyin.
- ◆ Yağmura maruz bırakmayın.
- ◆ Cihazı suya batırmayın.
- ◆ Cihazı gözetimsiz, başıboş bırakmayın.
- ◆ Cihazı kullanmadığınız zamanlarda elektrik prizine bağlı bırakmayın.
- ◆ Cihazı prizden ayırmak için asla elektrik kablosunu çekmeyin.
- ◆ Cihaz kablosunu ısıdan, yağdan ve keskin kenarlardan uzak tutun.
- ◆ Buharlı temizleyiciyi ıslak ellerle tutmayın.
- ◆ Cihazın kordonunu çekmeyin veya cihazı kordonundan taşımayın, kordonu cihazın sapı olarak kullanmayın, kordonun üzerinden kapı kapatmayın ya da kordonu keskin kenarların etrafından veya köşelerden çekmeyin. Kordonu ısınmış yüzeylerden uzak tutun.
- ◆ Cihazı yağ bazlı tiner, bazı güve kovucu ilaçlardan çıkan buharla, kolay tutuşabilir toz veya diğer patlayıcı ya da toksik buharla kaplı kapalı mekanlarda kullanmayın.
- ◆ Zemin tipini üreticiden öğrenebilirsiniz.

- ◆ Cihazı deri, pasta cilalı mobilya veya döşemeler, sentetik kumaşlar, kadife ya da diğer hassas ve buhara duyarlı materyaller üzerinde kullanmayın.



**Uyarı!** Cihazı arası açılmış ahşap veya laminat döşemeler üzerinde kullanmayın. Pasta cila yapılmış yüzeylerde ya da bazı cilasız zeminlerdeki parlaklık ısı ve buharın etkisiyle kaybolabilir. Temizleme işlemine devam etmeden önce yüzey üzerinde küçük bir alanda cihazın test edilmesi tavsiye edilir. Ayrıca zemin döşemesinin üreticisinden kullanım ve bakım bilgileri edinmenizi öneririz.

- ◆ Buharlı temizleyicinin içine kireç çözücü, aromalı madde, alkol ya da deterjan içeren ürünleri hiçbir zaman koymayın. Bunlar cihazınıza zarar verebilir.
- ◆ Buhar özelliği kullanılırken sigorta atarsa, ürünü kullanmayı hemen bırakın ve müşteri destek merkezine başvurun. (Elektrik çarpması riskine karşı dikkatli olun.)
- ◆ Kullanım alanını temizlemek için cihaz dışarıya çok sıcak buhar verir. Dolayısıyla buhar başlığı, temizleme pedleri ve aparatları kullanım esnasında çok ısınır.

**Dikkat!** Buharlı süpürgenizi kullanırken ve buharlı süpürgenizin aksesuarlarını değiştirirken her zaman uygun bir ayakkabı giyin.

Terlik ya da burnu açık ayakkabı giymeyin.

- ◆ Kullanım sırasında kapak ısınabilir.
- ◆ Kullanım sırasında başlığın yüzeyi ısınabilir
- ◆ Kullanım sırasında cihazdan dışarı buhar sızıntısı olabilir. Cihazı kullanırken dikkatli olun. Kullanım sırasında ısınabilecek parçalara DOKUNMAYIN.
- ◆ Buharlı paspasın gövdesinden buhar çıktığı görülürse, üniteyi kapatın ve elektrik bağlantısını kesin, soğumaya bırakın. Size en yakın yetkili servise başvurun.
- ◆ Basınç tahliye valfinden (21) buhar çıktığı görülürse, üniteyi kapatın, ünitenin elektrik bağlantısını kesin, cihazın soğuması için bir saat kadar bekleyin ve ardından vidalarını sökün. Basınç tahliye valfindeki conta'nın durumunu kontrol edin. Conta iyi durumdaysa, iyice oturacak şekilde tekrar vidalayın. Kapaktan buhar çıkmaya devam ederse en yakın yetkili servisle iletişime geçin.

### **CİHAZI KULLANMAYA DEVAM ETMEYİN.**

### **Kullanım sonrası**

- ◆ Cihazın fişini çekin ve temizlemeden önce soğumasını bekleyin.
- ◆ Cihaz, kullanılmadığı zaman kuru bir yerde saklanmalıdır.
- ◆ Cihaz, çocukların ulaşamayacağı yerlerde muhafaza edilmelidir.
- ◆ Ünite kapatıldığında artık buhar hortumunda basınç altındadır.

Tetiğe basmadan önce lütfen ünitenin soğumasını bekleyin

## İnceleme ve onarımlar

- ◆ Cihazın fişini çekin ve herhangi bir bakım veya onarım işleminden önce soğumasını bekleyin.
- ◆ Cihazın fişini prizden çekin ve soğumasını bekleyin, basınç tahliye valfini (21) sökmeden önce buhar sapındaki (11) buhar tetiğini etkinleştirerek sistemde buhar olmadığını kontrol edin. Cihaz soğuyuncaya ve sistemde buhar kalmayana kadar basınç tahliye valfi kesinlikle sökülmemelidir. Bakımdan sonra sıkıca yerine yerleştirmek için tam olarak tekrar vidalayın.
- ◆ Kullanmadan önce cihazda hasarlı veya arızalı parça olup olmadığını kontrol edin. Parçalardaki kırılmaları, düğmelerdeki hasarları ve aletin çalışmasını etkileyebilecek diğer koşulları kontrol edin.
- ◆ Cihazın kablosunda hasar olup olmadığını düzenli olarak kontrol edin.
- ◆ Herhangi bir parçası hasarlı veya arızalı ise cihazı kullanmayın.
- ◆ Hasarlı veya arızalı parçaların yetkili bir servis tarafından onarılmasını veya değiştirilmesini sağlayın.
- ◆ Bu kılavuzda belirtilenler dışında herhangi bir parçayı asla çıkarmaya veya değiştirmeye çalışmayın.

## Diğer riskler

Alet kullanılırken, ekteki güvenlik uyarılarında bulunmayan, bazı ilave riskler oluşabilir.

Bu riskler yanlış kullanım, uzun süreli kullanım vb. gibi durumlardan ötürü oluşabilir. İlgili güvenlik düzenlemeleri uygulansa ve güvenlik cihazları kullanılsa bile, bazı risklerden kaçınmak mümkün olmayabilir. Bunlar şunlardır:

- ◆ Hareket eden parçalara dokunulmasından kaynaklanan yaralanmalar.
- ◆ Isınan parçalara dokunulmasından kaynaklanan yaralanmalar.
- ◆ Parça veya aksesuar değiştirilirken meydana gelen yaralanmalar.
- ◆ Cihazın uzun süre kullanılmasından kaynaklanan yaralanmalar. Herhangi bir cihazı uzun süre kullanıyorsanız, düzenli olarak kullanıma ara vermeyi unutmayın.

## Elektrik güvenliği



**Uyarı!** Bu ürünün topraklanması gerekir. Her zaman güç kaynağının, aletin üretim etiketinde voltajla aynı olup olmadığını kontrol edin.

Elektrikli aletin fişleri prize uymalıdır. Fiş üzerinde kesinlikle hiçbir değişiklik yapmayın. Değiştirilmemiş fişler ve uygun prizler elektrik çarpması riskini azaltacaktır.

- ◆ Kablo zarar görürse, tehlikeli bir durum oluşmasını önlemek için üretici veya yetkili bir BLACK+DECKER Servis Merkezi tarafından değiştirilmesi gerekir.

## Uzatma kabloları ve Sınıf 1 ürünü

- ◆ Cihazınız topraklamalı ve Sınıf 1 yapısında olduğu için 3 damarlı kablo kullanılmalıdır.

- ◆ Her zaman bu aletin giriş gücüne (teknik verilere bakın) uygun onaylı bir uzatma kablosu kullanın. Uzunluğu 30 metreye kadar 1,50mm<sup>2</sup> uzatma kablosu, üründe performans kaybı olmadan kullanılabilir.

Kullanmadan önce, uzatma kablosunda hasar, aşınma ve eskime belirtilerinin olup olmadığını inceleyin. Hasar görmüş veya arızalı uzatma kablosunu değiştirin. Bir kablo makarası kullanırken, her zaman kabloyu tamamen açın.

## Cihaz üzerindeki etiketler

Aşağıdaki piktogramlar tarih kodu ile birlikte cihazın üzerinde yer almaktadır.



**DİKKAT!** Sıcak Buhar



60°C'de yıkayın. Ağartıcı veya yumuşatıcı kullanmayın



**DİKKAT!** Sıcak Yüzey

## Özellikler

Bu cihaz, aşağıdaki özelliklerin bir kısmını veya tümünü içermektedir.

1. Açma/kapama düğmesi
- 1a. Kırmızı gösterge ışığı - Su haznesi boş uyarı ışığı
- 1b. Yeşil gösterge ışığı - Buhar hazır ışığı
- 1c. Beyaz gösterge ışığı - Güç açık göstergesi
2. Ana birim
3. Su haznesi
4. Aksesuarları saklama
- 5a. Uzatma çubuğu A
- 5b. Uzatma çubuğu B
6. Saklama kancalı yer başlığı
7. Duvar kağıdı çıkartma başlığı (Yalnızca BHSMP2314 ünitesiyle birlikte verilir)
8. Buhar yoğunlaştırıcı
9. El başlığı (2 adet BHSMP2314 ünitesiyle birlikte verilir)
10. L-şekilli başlık

11. Buhar sapı
- 11a. Kilitleme sürgüsü
- 11b. Buhar sapı tetiği
12. Çek-pas
13. El başlığı koruyucu (2 adet BHSMP2314 ünitesiyle birlikte verilir)
14. Zemin pedi (2 adet BHSMP2314 ünitesiyle birlikte verilir)
15. Yuvarlak fırça (2 adet BHSMP2314 ünitesiyle birlikte verilir)
16. Bakır fırça (Sadece BHSMP2314 ünitesiyle birlikte verilir)
17. Esnek hortum
18. El başlığının mandalları
19. Çek-pas mandalı
20. Çek-pas arka kancaları
21. Basınç tahliye valfi

## Montaj



**Uyarı!** Aşağıdaki talimatlardan herhangi birini yerine getirmeye çalışmadan önce cihazın kapalı, fişinin çekilmiş ve soğumuş olduğundan ve içerisinde su bulunmadığından emin olun.

## Zemin uzatmasının zemin temizleme başlığına takılması (Şekil A)

- ◆ Uzatma borusunu B (5b) Şekil A'da gösterildiği gibi yerine güvenli bir şekilde oturduğundan emin olarak zemin başlığına (6) itin.

## Elde tutulan hortum ünitesinin zemin uzatma borusuna takılması (Şekil A)

- ◆ Buhar sapını (11) uzatma borusu A'ya (5a) sıkıca bastırın ve yerine tam olarak oturduğundan emin olun.
- ◆ Uzatma borusu A'nın (5a) uzatma borusu B'ye (5b) takılması

**Uyarı!** Her kullanımdan önce buhar sapındaki (11) bağlantı noktası ile uzatma boruları (5a ve 5b) arasındaki contayı kontrol edin. Conta çalışmıyorsa veya hasarlıysa lütfen en yakındaki yetkili servisle iletişime geçin. Cihazı kullanmayın.

## Temizleme pedinin takılması (Şekil B)

Yedek temizleme pedlerini BLACK+DECKER yetkili satıcılarından temin edebilirsiniz:- (kat. no. FSMP20-XJ).

- ◆ Bir temizleme pedini (14) 'cirt cirtli' tarafı yukarı gelecek şekilde yere koyun.
- ◆ Buharlı süpürgeyi temizleme pedinin üzerine hafifçe bastırın.

**Dikkat!** Buharlı süpürgeyi hiçbir zaman belirli bir süre herhangi bir yüzeydeki tek bir nokta üzerinde bırakmayın. Desteklenen buharlı süpürgeyi hareketsizken daima dik konuma getirin ve kullanılmadığı zaman buharlı paspasın kapalı olduğundan emin olun.



## Temizleme pedinin çıkarılması

**Dikkat!** Buharlı süpürgezin temizleme pedini değiştirirken her zaman uygun bir ayakkabı giyin.

Terlik ya da burnu açık ayakkabı giymeyin.

- ◆ Buharlı süpürgeyi dik konuma getirin ve kapatın.
- ◆ Buharlı süpürgeyi depoya kaldırmadan önce soğumasını bekleyin (yaklaşık 5 dakika süreyle).
- ◆ Buharlı süpürgeyi, temizleme pedi çıkarma tırnağının (14a) üzerine ağırlık koyarak cırt cırtlı bağlantıdan kurtarın ve temizleme pedinden (14) kaldırın.

## Su haznesinin takılması / çıkartılması (Şekil C, D)

**Not!** Su haznesini (3) temiz musluk suyuyla doldurun (Herhangi bir katkı maddesi veya kimyasal madde kullanmayın).

**Not!** Suyu sert olan bölgelerde, iyondan arındırılmış su kullanılması önerilir.

- ◆ Su haznesini (3) buharlı süpürge ana ünitesinden (2) yukarı ve uzağa doğru kaydırın.
- ◆ Su haznesi doldurulmak üzere musluğun altına koyulabilir.
- ◆ Doldurmak için kapağı (3a) kaldırın.

**Uyarı!** Doldururken, su haznesini (3) kapağı (3a) üstte olacak şekilde dikey konumda tutun.

**Uyarı!** Hazne su kapasitesi 1,2 litredir. Hazneye fazla su doldurmayın.

- ◆ Kapağı (3a) kapatın.

**Not!** Kapağın sıkıca kapatıldığından emin olun.

## Su haznesinin takılması

- ◆ Su haznesini (3) ana üniteye (2) takmak için çıkıntılarını kullanarak aşağı kaydırın, su haznesinin bir sızdırmazlık oluşturacak şekilde sıkıca oturduğundan emin olun.

## Açma ve kapatma (Şekil E)

- ◆ Cihazı çalıştırmak için, Açma/Kapama düğmesine (1) basın. Cihaz çalıştığında ve ısıtıcı ısınmaya başladığında beyaz ışık (1c) yanar. Isıtıcı gerekli sıcaklığa ulaştığında yeşil ışık (1b) yanar, kullanıcının buhar oluşturmak için buhar sapındaki (11b) tetiğe basması gerekir.
- ◆ Cihazı kapatmak için, Açma/Kapama düğmesine (1) basın.

**Dikkat!** Buharlı süpürgeyi hiçbir zaman belirli bir süre herhangi bir yüzeydeki tek bir nokta üzerinde bırakmayın.

Desteklenen buharlı süpürgeyi hareketsizken daima dik konuma getirin ve kullanılmadığı zaman buharlı paspasın kapalı olduğundan emin olun.

**Dikkat!** Kullanımdan sonra su haznesini daima boşaltın.

**Not!** İlk doldurulduktan veya susuz çalıştırdıktan sonra buhar üretimi yaklaşık 180 saniye sürebilir

Zemin Tezgah Yüzeyi	Ayarlama
Ahşap/Laminat	Minimum/Düşük Buhar ayarı
Fayanslar/Marley	Orta Buhar ayarı

Taş/Mermer	Maksimum/Yüksek Buhar ayarı
<b>Aksesuarlar</b>	<b>Ayarlama</b>
Derz Fırçası	Maksimum/Yüksek Buhar ayarı
Küçük Fırça	Maksimum/Yüksek Buhar ayarı
Bakır telli küçük fırça	Maksimum/Yüksek Buhar ayarı
Pencere/Giyisi Sileceği	Minimum/Düşük Buhar ayarı
Duvar kağıdı atamaı	Maksimum/Yüksek Buhar ayarı

**Not:** Buharlı süpürgeyi kullanmadan önce doğru buhar ayarında kullandığınızı daima kontrol edin.

## Buhar kullanıcı arayüzü

Bu buharlı süpürge, 3 gösterge ışığını (1a, 1b ve 1c) gösteren bir Buhar kullanıcı arayüzü paneli bulunmaktadır. Bu uygulamalar, temizleme işleminiz için doğru olan çalışma modunu seçmek için kullanılır.

- ◆ Açma/Kapama düğmesine (1) basarak üniteyi çalıştırın.
- ◆ Beyaz gösterge ışığı (1c), cihaz çalıştırıldığında ve ısıtıcı ısınmaya başladığında yanar.
- ◆ Ünite gerekli sıcaklığa ulaştığında ve kullanıma hazır olduğunda yeşil gösterge ışığı (1b) yanar.
- ◆ Kullanıcı buhar sapındaki (11) kilitleme düğmesini (11a) kilitleti konumdan kaydırmalıdır.
- ◆ Buhar oluşturmak için buhar sapındaki (11) tetiğe (11b) basın.
- ◆ Kullanımdan sonra daima buhar sapı (11) üzerindeki kilitleme düğmesini (11a) kilitleti konuma kaydırın.
- ◆ Su haznesi (3) boşaldığında sol gösterge ışığı (1a) yanar, su haznesini (3) çıkarın ve suyla doldurun.
- ◆ Cihazı kapatmak için, açma/kapama düğmesine (1) basın.

**Not:** Buharlı süpürgeyi kullanmadan önce doğru ayarda kullandığınızı daima kontrol edin.

## Aksesuarların buhar sapına takılması

**Uyarı!** Her kullanımdan önce buhar sapının bağlantı noktası ile aksesuarlar arasındaki contaı kontrol edin. Conta çalışmıyorsa veya hasarlıysa lütfen en yakındaki yetkili servisle iletişime geçin. Cihazı kullanmayın.

**Uyarı!** Aksesuarlar takılmadan önce ünite kapatılmalıdır.

## Büyük aksesuarların takılması (Şekil F)

- ◆ Aksesuar 7, 8 ve 9 doğrudan buhar sapının ucuna takılabilir.
- ◆ Aksesuarı sapla hizalayın ve buhar sapının üzerine sıkıca bastırın.
- ◆ Bir sızdırmazlık oluşturmak için mandalın yerine kilitlendiğinden emin olun

**Önemli!** Kullanım için tüm aksesuarların buhar sapına (11) takılması gerekir.

## Büyük aksesuarın çıkartılması

- ◆ Mandala bastırın ve aksesuarı buhar kolundan (11) çekip çıkarın.

**Uyarı!** Çıkarmaya çalışmadan önce ünitenin ve tüm aksesuarların soğumasını bekleyin.

## Küçük fırça aksesuarlarının takılması

- ◆ Buhar yoğunlaştırıcıyı (8) buhar başlığına takın
- ◆ Küçük aksesuarlar, 10, 15, 16 doğru buhar yoğunlaştırıcıya (8) iterek takılabilir.
- ◆ Küçük aksesuarın bir sızdırmazlık oluşturacak şekilde bastırıldığından ve yerine yerleştiğinden emin olun.

## Küçük bir aksesuarın çıkarılması 10,15,16

- ◆ Aksesuarı buhar yoğunlaştırıcıdan (8) çekip çıkarın.

**Uyarı!** Çıkarmaya çalışmadan önce ünitenin ve tüm aksesuarların soğumasını bekleyin.

## Çek-pas sileceğin el başlığına takılması 12, 9 (Şek. I, J, K, L)

- ◆ Çek-pas silecek arka kancalarını (20) Şekil K'de gösterildiği gibi sap başlığının mandallarına (18) takın.
- ◆ Şekil L'de gösterildiği gibi, gövde, çek-pas sileceğin (19) ön mandalı tarafından kilitlene kadar sap başlığını aşağı doğru itin.

## Çek-pas sileceğin el başlığından çıkarılması

- ◆ El başlığını serbest bırakmak için sileceğin mandalını (19) ileri doğru itin.
- ◆ El başlığını döndürün ve el başlığı mandallarını (18) silecek arka kancalarından (20) ayırın ve birbirinden çekin.

## Yararlı tavsiyeler

### Genel

**Dikkat!** Bir temizleme pedi takmadan önce, buharlı süpürgeyi zı hiçbir zaman kullanmayın.

- ◆ Buharlı süpürgeyi kullanmadan önce zemini mutlaka elektrik süpürgesiyle veya süpürgeyle süpürün.
- ◆ Zemin başlığını kullanmanın en kolay yolu, zemin temizleme borusunu 45°'lik bir açıya getirip, tek seferde küçük bir alanı halledecek şekilde yavaşça temizlemektir.
- ◆ Buharlı süpürgede sadece hiçbir katkı maddesi veya kimyasal madde içermeyen su kullanın. Marley ya da muşamba döşemelerdeki inatçı lekeleri temizlemek için buharlı süpürgeyi kullanmadan önce lekenin üstüne hafif deterjan ve biraz su dökerek ön temizlik yapın.

## Paspasla Buharlı Temizlik

- ◆ Buhar kolunu zemin borusuna takın.
- ◆ Bir temizleme pedini (14) 'cirt cirtli' tarafı yukarı gelecek şekilde yere koyun.
- ◆ Buharlı süpürgeyi temizleme pedinin (14) üzerine hafifçe bastırın.

- ◆ Buharlı süpürgeyi prize takın.
- ◆ Açma/kapatma (1) düğmesine basın. Su ısıtıcının ısınması yaklaşık 180 saniye sürer.
- ◆ Su ısıtıcı yeterli sıcaklığa ulaştığında akış hızını gereken ayara getirin ve buhar akışını başlatmak için tetiğe (11b) basın.
- ◆ Buharın temizleme pedine gelmesi birkaç saniye sürer. Buharlı süpürge artık temizlenecek yüzey üzerinde kolayca hareket edecektir.
- ◆ Her yeri buharla iyice temizlemek için buharlı süpürgeyi zeminde yavaşça ileri geri hareket ettirin.
- ◆ Buharlı süpürgeyi kullanmayı bitirdiğinizde, buhar akışını durdurmak için tetiği bırakın, desteklendiğinden emin olarak dik pozisyona alın ve "KAPALI" konuma getirin. Buharlı süpürgeyi depoya kaldırmadan önce soğumasını bekleyin (yaklaşık 10 dakika).

**Dikkat!** Su haznesindeki su seviyesini izlemek önemlidir.

Hazne boşaldığında kırmızı göstergesi ışığı yanar. Su haznesini yeniden doldurmak ve temizlemeye devam etmek için, buhar tetiğinin basılı olmadığından emin olarak paspası dik tutun.

**Dikkat!** Buharlı süpürgeyi hiçbir zaman belirli bir süre herhangisi bir yüzeydeki tek bir nokta üzerinde bırakmayın. Desteklenen buharlı süpürgeyi hareketsizken daima dik konuma getirin ve kullanılmadığı zaman buharlı paspasın kapalı olduğundan emin olun.

## Kullanım sonrası

- ◆ Buharlı süpürge soğuyana kadar bekleyin.
- ◆ Buharlı süpürgeyi fişini prizden çekin.
- ◆ Su haznesini boşaltın.
- ◆ Temizleme pedini (14) çıkarın ve bir sonraki kullanıma hazır hale getirin (temizlik pedinin üzerinde yazılı olan yıkama bakım talimatlarına uymaya dikkat edin).

## Aksesuarlar

Cihazın performansı kullanılan aksesuara bağlıdır.

BLACK+DECKER aksesuarları cihazınızın performansını artırmak amacıyla tasarlanmış ve yüksek kalite standartlarıyla üretilmiştir. Cihazın en iyi performansı için bu aksesuarları kullanmalısınız.

## Buharlı giysi temizlenmesi (Şekil G)

- ◆ El başlığını (9) buhar sapına (11) takın.
- ◆ El başlığı koruyucuyu (13) el başlığının (9) etrafına geçirerek takın.

**Not!** El başlığı (9), el başlığı koruyucu (13) olmadan kullanılmamalıdır.

- ◆ Buharlı süpürgeyi prize takın.
- ◆ Açma/kapatma (1) düğmesine basın. Isıtıcı gerekli sıcaklığa ulaştığında yeşil göstergesi ışığı yanar.

**Not!** İlk doldurulduktan veya susuz çalıştırıldıktan sonra buhar üretimi yaklaşık 180 saniye sürebilir.

- ◆ Isıtıcı gerekli sıcaklığa ulaştığında, buhar akışını başlatmak için istenen buhar ayar düğmesine basın.

- ◆ Buharlı süpürgeyi kullanmayı bitirdiğinizde, buhar akışını durdurmak için buhar akış düğmesine basın, desteklediğinden emin olarak dik pozisyona alın ve "KAPALI" konuma getirin. Buharlı süpürgeyi depoya kaldırmadan önce soğumasını bekleyin (yaklaşık 5 dakika).

### Duvar kağıdı çıkartıcının kullanılması

- ◆ Yüksek sıcaklıktaki buhar zayıf, gözenekli veya yeterince yapışmamış sıvayı gevşetebileceğinden çalışmaya başlamadan önce sıvanızın durumunu kontrol edin. Ayrıca çatlak ya da delik olması veya buhar plakasının çok uzun süre aynı konumda tutulması durumunda sıva daha kolay gevşer.
- ◆ Alçığınız zayıf olup olmadığını duvarların birkaç bölgesine parmaklarınızla vurarak tespit edebilirsiniz. Burada, içi boş gibi bir ses çıkarsa, son derece dikkatli bir şekilde ilerlemenizi öneririz.
- ◆ Her durumda, düzgün çalışmaya başlamadan önce duvar kağıdı çıkartıcıyı yaklaşık 100 cm<sup>2</sup> kadar küçük bir alanda test edin.
- ◆ Herhangi bir aşamada duvar kağıdı yapıştırıcı gevşerse veya çatlama sesi duyarsanız devam etmeyin. Duvar kağıdı çıkartıcı, alçıpan/kartonpiyer yüzeyler için güvenlidir.
- ◆ Bu ürünün ürettiği ısı nedeniyle örn. halılar, koltuklar, tezgah üstleri, dolaplar vb. gibi bazı yüzeyler çizilebilir, üzerinde iz olabilir veya hasar görebilir. Bunu önlemek için ısıtıcının altına ısının yüzeye zarar vermesini önleyecek ahşap bir tahta veya başka bir bariyer konulmasını sağlayın. Mobilya örtüsü veya gazete kağıtları bu amaç için yeterli değildir.
- ◆ En iyi sonuçları elde etmek için duvar kağıdını bir kazıyıcıyla çıkarın. Duvar kağıdını aşağı yönde kazıyın.
- ◆ Duvar kağıdını tavandan çıkarırken daima koruma kullanın. Sıcak su damlayabileceğinden buhar plakasında yoğunlaşma suyu birikmesine dikkat edin. Buhar plakasını düzenli olarak boşaltın ve asla doğrudan başınızın üzerinde kullanmayın.
- ◆ Buhar plakasını birkaç saniyelik bile olsa gözetimsiz bıraktığınızda daima uygun bir kaba koyun ve kullanım sırasında buhar plakasını sizden uzağa bakacak şekilde tutun.

### Aksesuarların saklanması (Şekil H)

Zemin başlığıyla birlikte küçük aksesuarlar ünitenin arkasında saklanır. Zemin başlığı ve boru aksesuar saklama yerinin (4) üzerine yerleştirilebilir. Zemin başlığının (6) arkasındaki kancayı bulun ve (Şekil H)'de görüldüğü gibi saklama bölmesindeki yuvaya kaydırın. Sıkıca aşağı doğru bastırın ve serbest bırakmadan önce zemin başlığının ve borunun sabit olduğundan emin olun

### Çevrenin korunması



Aynı toplama. Bu sembolü taşıyan ürünler ve bataryalar normal evsel atıklarla birlikte çöpe atılmamalıdır.

Ürünler ve bataryalar, hammaddede ihtiyacınızı azaltmak için geri kazanılabilir veya geri dönüştürülebilir malzemeler içerir. Elektrikli aletleri ve bataryaları lütfen yerel yönetmeliklere uygun şekilde geri dönüşüme tabi tutun. İlave bilgiler şu adreste mevcuttur: [www.2helpu.com](http://www.2helpu.com)

### Teknik Veriler

	BHSM2008 Tip 1	BHSM2314 Tip 1
Voltaj	V <sub>se</sub>	230
Güç	G	2000
Hazne Kapasitesi	ml	1200
Ağırlık	kg	5,9
		6,1

### Sorun Giderme

Cihazınız doğru çalışmıyor gibi görünüyorsa, aşağıdaki talimatları uygulayın. Sorun bu şekilde çözülemezse, lütfen BLACK+DECKER yetkili servisiyle iletişime geçin. Size en yakın BLACK+DECKER yetkili servisi bilgilerini [www.2helpu.com](http://www.2helpu.com) adresinde bulabilirsiniz

Sorun	Adım	Olası çözüm
Buharlı süpürge çalıştırılmıyor	1.	Ünitenin prize takılı olduğundan emin olun
	2.	Ünitenin Açma/Kapama düğmesi (1) kullanılarak açıldığını kontrol edin
	3.	Prizin sigortasını kontrol edin
Buharlı süpürge buhar üretmiyor	4.	Buharlı süpürge yalnızca ünite çalıştığında buhar üretir. Ünite ilk çalıştığında beyaz gösterge ışığı yanar. Su ısıtıcı gerekli sıcaklığa ulaştığında ve ardından buhar akış teletğine basıldığında yeşil gösterge ışığı yanar
	5.	Su haznesinin dolu olduğundan emin olun. Kırmızı gösterge ışığı yanıyorsa hazne boş demektir. Not: İlk doldurulduğunda veya susuz çalıştırıldıktan sonra ısınması zaman alacaktır, su ısıtıcı gerekli sıcaklığa ulaştığında yeşil gösterge ışığı yanar.
	6.	Adım 1, 2, 3 ve ardından 4'ü sırasıyla kontrol edin
Buharlı süpürge kullanım sırasında buhar üretmeyi durduruyor	7.	Adım 4, 5 ve ardından 3'ü kontrol edin
Buharlı süpürge kullanım sırasında çok fazla buhar üretiyor	8.	Ünite çok sayıda farklı buhar akışı ayarına sahiptir. Buhar kolundaki kadranı çevirerek buhar akışını düşük buhara ayarlayın.
Buharlı süpürge kullanım sırasında çok az buhar üretiyor	9.	Ünite çok sayıda farklı buhar akışı ayarına sahiptir. Buhar kolundaki kadranı çevirerek buhar akışını yüksek buhara ayarlayın.
Daha ayrıntılı bilgi/aksesuarları nereden edinebilirim	10.	<a href="http://www.blackanddecker.co.uk">http://www.blackanddecker.co.uk</a> <a href="http://www.blackanddecker.ie">http://www.blackanddecker.ie</a>

### Bakım

Kullanmakta olduğunuz BLACK+DECKER alet minimum bakımla uzun bir süre çalışacak şekilde tasarlanmıştır. Aletin uzun süre boyunca verimli bir şekilde çalışması, uygun bakım ve düzenli temizliğin yapılmasına bağlıdır.



**Uyarı!** Alet üzerinde herhangi bir bakım gerçekleştirmeden önce.

- ◆ Cihazınızı yumuşak ve nemli bir bezle silin.
- ◆ İnatçı lekeler için bezinizi hafif bir sabun ve su karışımıyla ıslatabilirsiniz.

## Garanti

Black & Decker ürünlerinin kalitesine güvenmektedir ve müşterilerine, ürünleri satın alma tarihinden itibaren 24 ay geçerli bir garanti sunmaktadır. Bu garanti bildirimini, yasal haklarınıza ek niteliğinde olup hiçbir şekilde bu haklarınızı kısıtlamaz.

İşbu garanti; Birleşik Krallık toprakları, Avrupa Birliğine Üye ülkeler, Avrupa Serbest Ticaret Bölgesi ve Birleşik Krallık sınırları dahilinde geçerlidir.

Garanti kapsamındaki bir talepte bulunmak için, ilgili garanti talebinin Black&Decker Şartları ve Koşullarına uygun olması ve ürünün satın alma belgesinin yetkili bayi veya servise ibraz edilmesi gerekir. Black&Decker tarafından sunulan 2 yıllık garantinin şartları ve koşullarının yanı sıra en yakın yetkili onarım acentesinin yeri internette [www.2helpU.com](http://www.2helpU.com) adresinden veya bu kılavuzda belirtilen adresteki yerel Black&Decker ofisinden öğrenilebilir.

Yeni aldığınız Black & Decker ürünü kaydetmek ve yeni ürün ve hizmetlere ilişkin güncel haberleri takip etmek için lütfen [www.blackanddecker.com.tr](http://www.blackanddecker.com.tr) adresindeki web sitemizi ziyaret edin.



<b>België/Belgique/Luxembourg</b> www.blackanddecker.be enduser.be@sbdinc.com	Stanley Black & Decker Belgium BVBA Egide Walschaertsstraat 16 2800 Mechelen	Tel. NL +32 15 47 37 65 Tel. FR +32 15 47 37 66 Fax. +32 15 47 37 99
<b>Danmark</b>	Black & Decker Roskildevej 22 2620 Albertslund	kundeservice.dk@sbdinc.com www.blackanddecker.dk
<b>Deutschland</b> www.blackanddecker.de infobfge@sdbinc.com	Stanley Black & Decker Deutschland GmbH Black & Decker Str. 40, D - 65510 Idstein	Tel. 06126 21-0 Fax 06126 21-2980
<b>Ελλάδα</b> www.blackanddecker.gr greece.service@sbdinc.com	Stanley Black & Decker (ΕΛΛΑΣ) Ε.Π.Ε ΓΡΑΦΕΙΑ: Σπυρίδωνος 7 & Βουλιαγμένης 166 74 Γλυφάδα - Αθήνα	Τηλ. 210-8981616 Φαξ 210-8983570
<b>SERVICE:</b>	Ημερος Τόπος 2 -Χάνι Αδάμ 193 00 Ασπρόπυργος - Αθήνα	Τηλ. Service 210-8985208 Φαξ 210-5597598
<b>España</b> www.blackanddecker.es respuesta.posventa@sbdinc.com	Stanley Black & Decker Ibérica, S.C.A. Parc de Negocis "Mas Blau" Edificio Muntadas, c/Bergadá, 1, Of. A6 08820 El Prat de Llobregat (Barcelona)	Tel. 934 797 400 Fax 934 797 419
<b>France</b> www.blackanddecker.fr	Stanley Black & Decker. 62 chemin de la Bruyère 69570 Dardilly, France	Tel. 04 72 20 39 20 Fax 04 72 20 39 00
<b>Helvetia</b> www.blackanddecker.ch service@rofoag.ch	ROFO AG Gewerbezone Seeblick 3213 Kleinbödingen	Tel. 026-6749393 Fax 026-6749394
<b>Italia</b> www.blackanddecker.it service.italia@sbdinc.com	Stanley Black & Decker Italia Via Energypark 6 20871 Vimercate (MB)	Tel. 039-9590200 Fax 039-9590313 Numero verde 800-213935
<b>Nederland</b> www.blackanddecker.nl enduser.nl@sbdinc.com	Stanley Black & Decker Netherlands BV Holtum Noordweg 35, 6121 RE BORN Postbus 83, 6120 AB BORN	Tel. +31 164 283 065 Fax +31 164 283 200
<b>Norge</b>	Black & Decker Postboks 4613, Nydalen 0405 Oslo	kundeservice.no@sbdinc.com www.blackanddecker.no
<b>Österreich</b> www.blackanddecker.at service.austria@sbdinc.com	Stanley Black & Decker Austria GmbH Oberlaaerstraße 248, A-1230 Wien	Tel. 01 66116-0 Fax 01 66116-614
<b>Portugal</b> www.blackanddecker.pt resposta.posvenda@sbdinc.com	Black & Decker Limited SARL Quinta da Fonte - Edifício Q55 D. Diniz Rua dos Malhões, 2 e 2A - Piso 2 Esquerdo 2770 - 071 Paço de Arcos	Tel. 214667500 Fax 214667580
<b>Suomi</b>	Black & Decker PL47 00521, Helsinki	asiakaspalvelu.fi@sbdinc.com www.blackanddecker.fi
<b>Sverige</b>	Black & Decker AB Box 94, 431 22 Mölndal	kundservice.se@sbdinc.com www.blackanddecker.se
<b>Türkiye</b> https://tr.blackanddecker.global info-tr@sbdinc.com	Stanley Black & Decker Turkey Alet Üretim Tic. Ltd.Şti. içerenköy Mahallesi Umut Sokak No: 10--12 / 82--83--84 Kat: 19 Ataşehir-Istanbul, Türkiye	Tel. +90 216 665 2900 Fax. +90 216 665 2901 Servis Bilgi Tel +90 216 912 2313
<b>United Kingdom &amp; Republic Of Ireland</b> www.blackanddecker.co.uk emeaservice@sbdinc.com	Black & Decker Meadowfield Avenue, Spennymoor, DL16 6YJ, England	Tel. 01753 511234 Fax 01753 512365
<b>Middle East &amp; Africa</b> www.blackanddecker.ae service.mea@sbdinc.com	Black & Decker P.O.Box - 17164 Jebel Ali Free Zone (South), Dubai, UAE	Tel. +971 4 8863030 Fax +971 4 8863333