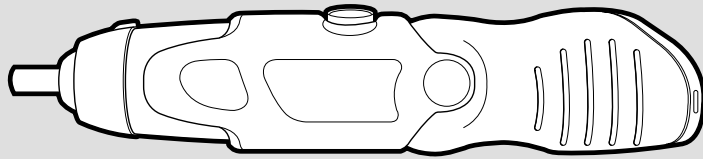




 **BLACK &  
DECKER®**



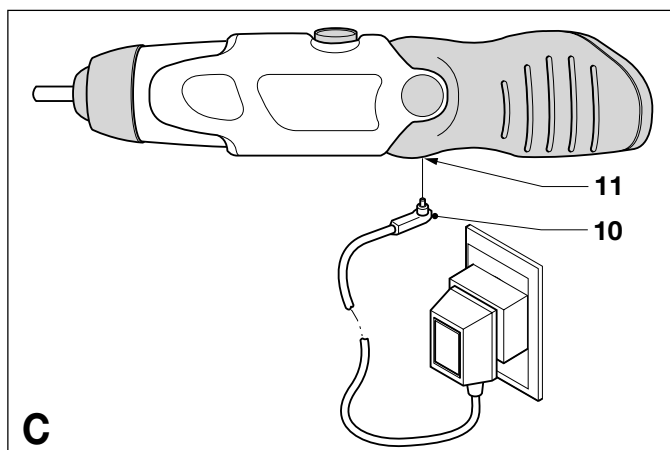
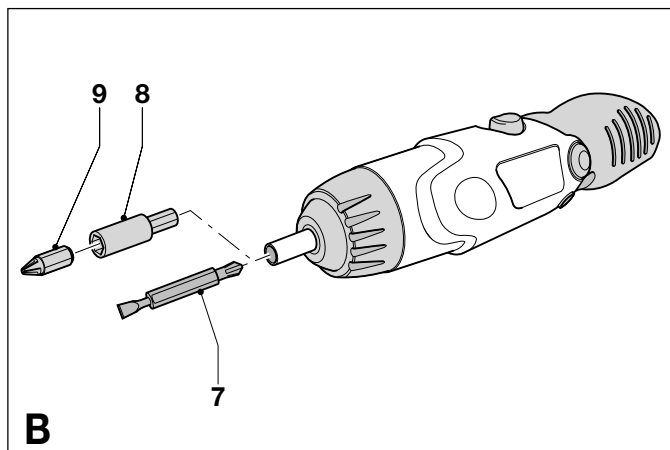
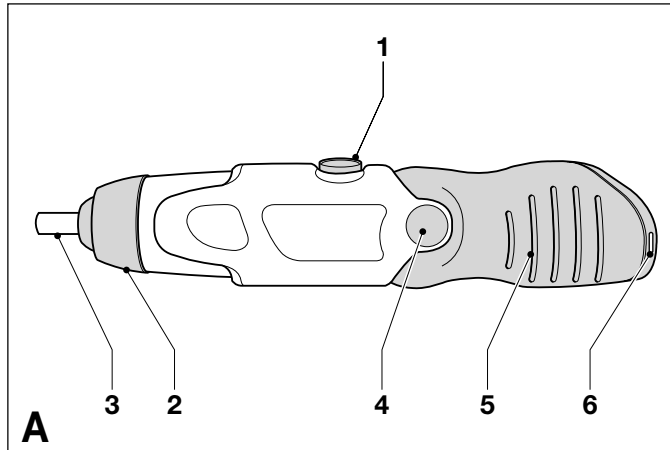
**KC9036**  
**KC9039**

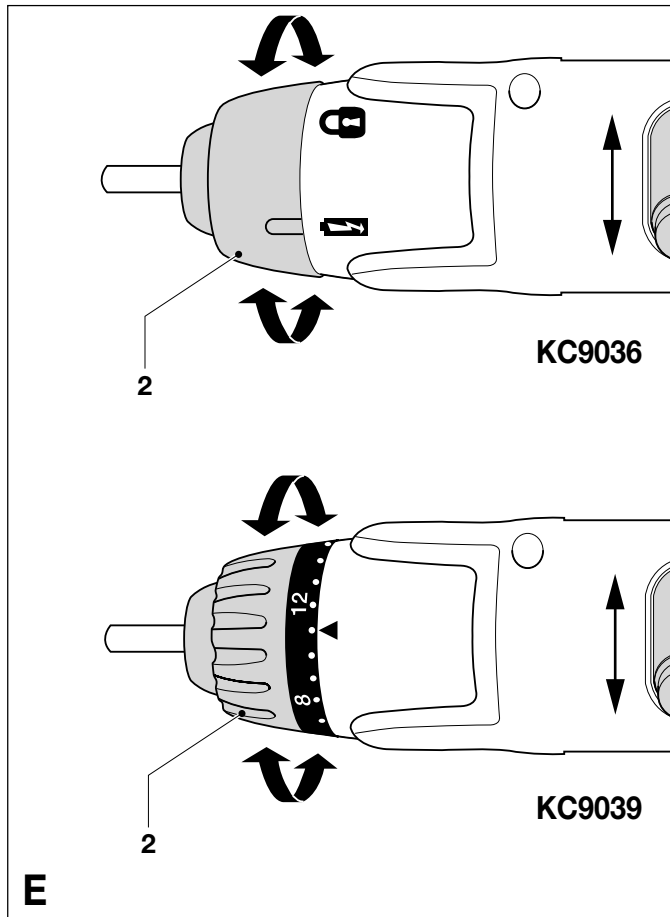
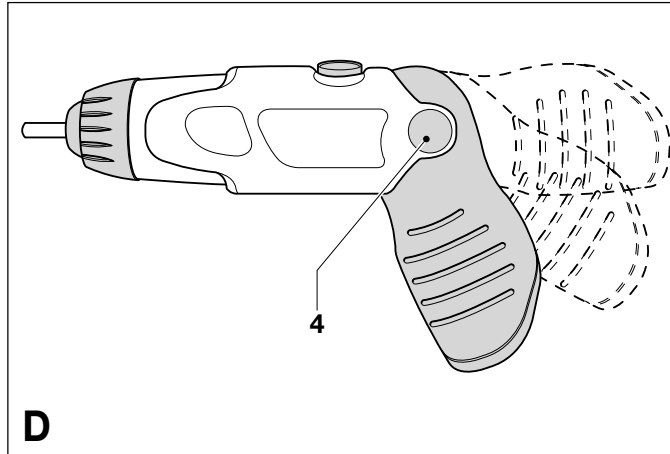


Copyright Black & Decker

2

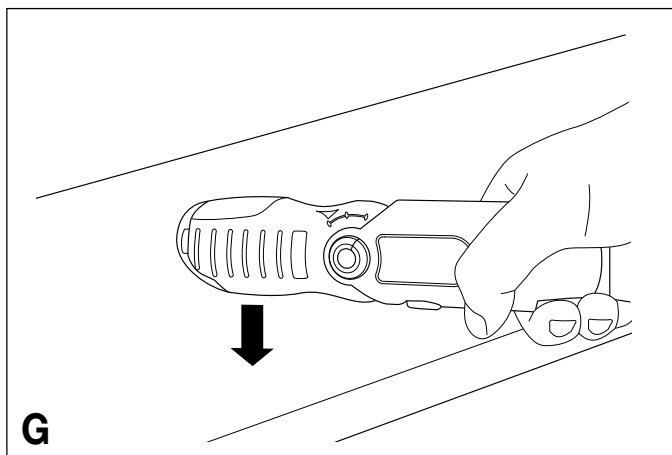
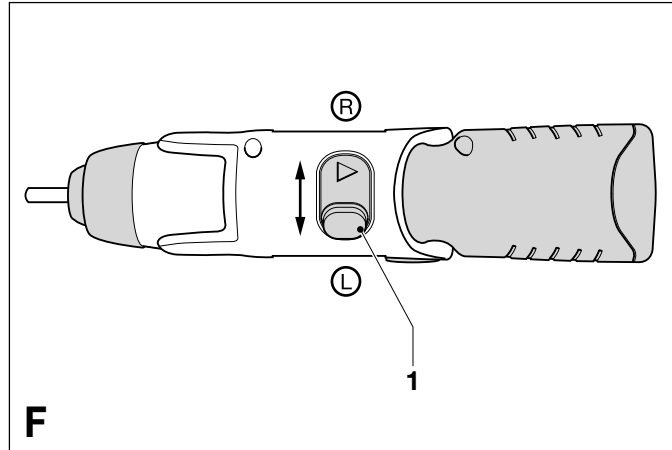






4







## ENGLISH

# CORDLESS 2-POSITION SCREWDRIVER KC9036/KC9039

### CONGRATULATIONS!

You have chosen a Black & Decker tool. Our aim is to provide quality tools at an affordable price. We hope that you will enjoy using this tool for many years.

### EC DECLARATION OF CONFORMITY

**CE** KC9036/KC9039  
Black & Decker declares that these tools conform to: 98/37/EC, 89/336/EEC, 73/23/EEC, EN 50260, EN 55014-1, EN 55014-2, EN 61000-3-2, EN 61000-3-3, EN 60335

Level of sound pressure, measured according to EN 50260:

	KC9036	KC9039
$L_{pA}$ (sound pressure) dB(A)	\$1	\$2
$L_{WA}$ (acoustic power) dB(A)	\$1	\$2

Hand/arm weighted vibration value according to EN 50260:

	KC9036	KC9039
	< 2.5 m/s <sup>2</sup>	< 2.5 m/s <sup>2</sup>

Colin Wills  
Director of Engineering  
BDCI, 4/F, 2 Dai Wang Street  
Tai Po Industrial Estate  
Tai Po NT, Hong Kong

### INTENDED USE

Your Black & Decker screwdriver KC9036/KC9039 has been designed for inserting and removing screws and nuts using the appropriate accessories. This tool is intended for consumer use only. Your Black & Decker charger has been designed for charging the battery in the tool with which it was supplied.

### SAFETY INSTRUCTIONS

#### Warning symbols

The following symbols are used in this manual:

Denotes risk of personal injury, loss of life or damage to the tool in case of non-observance of the instructions in this manual.

Denotes risk of electric shock.

Read the manual prior to operation.

Fire hazard.

#### Know your tool

♦ **Warning!** When using battery-powered tools, basic safety precautions, including the following, should always be followed to reduce the risk of fire, leaking batteries, personal injury and material damage.

- ♦ Read all of this manual carefully before operating the tool.





## ENGLISH

- ◆ Before operating the tool, make sure that you know how to switch the tool off in an emergency.
- Retain this manual for future reference.

### General

#### 1. Keep work area clean

Cluttered areas and benches can cause accidents.

#### 2. Consider work area environment

Do not expose the tool to rain. Do not use the tool in damp or wet conditions. Keep the work area well lit. Do not use the tool where there is a risk of causing fire or explosion, e.g. in the presence of flammable liquids and gases.

#### 3. Keep children away

Do not allow children, visitors or animals to come near the work area or to touch the tool.

#### 4. Dress properly

Do not wear loose clothing or jewellery, as these can be caught in moving parts. Preferably wear rubber gloves and non-slip footwear when working outdoors. Wear protective hair covering to keep long hair out of the way.

#### 5. Personal protection

Always use safety glasses. Use a face or dust mask whenever the operations may produce dust or flying particles. Wear ear protection whenever the sound level seems uncomfortable.

#### 6. Do not overreach

Keep proper footing and balance at all times.

#### 7. Stay alert

Watch what you are doing. Use common sense. Do not operate the tool when you are tired.

#### 8. Secure workpiece

Use clamps or a vice to hold the workpiece. It is safer and it frees both hands to operate the tool.

#### 9. Connect dust extraction equipment

If devices are provided for the connection of dust extraction and collection facilities, ensure that these are connected and properly used.

#### 10. Remove keys and adjusting wrenches

Always check that keys and adjusting wrenches are removed from the tool before operating the tool.

#### 11. Use appropriate tool

The intended use is described in this instruction manual. Do not force small tools or attachments to do the job of a heavy-duty tool. The tool will do the job better and safer at the rate for which it was intended. Do not force the tool.

**Warning!** The use of any accessory or attachment or performance of any operation with this tool other than those recommended in this instruction manual may present a risk of personal injury.

#### 12. Check for damaged parts

Before use, carefully check the tool for damage. Check for misalignment and seizure of moving parts, breakage of parts, damage to guards and switches and any other conditions that may affect its operation. Ensure that the tool will operate properly and perform its intended function. Do not use the tool if any part is damaged or defective. Do not use the tool if the switch does not turn it on and off.



## ENGLISH

Have any damaged or defective parts repaired or replaced by an authorised repair agent. Never attempt any repairs yourself.

### 13. Avoid unintentional starting

Do not carry the tool with a finger on the on/off switch.

### 14. Do not abuse cord

Never carry the charger by its cord or pull it to disconnect from the socket. Keep the cord away from heat, oil and sharp edges.

### 15. Store idle tools

When not in use, tools, batteries and chargers should be stored in a dry, locked up or high place, out of reach of children.

### 16. Maintain tools with care

Keep cutting tools sharp and clean for better and safer performance. Follow the instructions for maintenance and changing accessories. Keep handles and switches dry, clean and free from oil and grease.

### 17. Repairs

This tool complies with relevant safety requirements. Repairs should only be carried out by qualified persons using original spare parts; otherwise this may result in considerable danger to the user.

### Additional safety instructions for batteries and chargers

#### Batteries

- ◆ Never attempt to open for any reason.
- ◆ Do not store in locations where the temperature may exceed 40 °C.
- ◆ Charge only at ambient temperatures between 4 °C and 40 °C.

- ◆ Charge only using the charger provided with the tool (see technical data).
- ◆ When disposing of batteries, follow the instructions given in the section "Protecting the environment".
- ◆ Under extreme conditions, battery leakage may occur. When you notice liquid on the battery, proceed as follows:
  - Carefully wipe the liquid off using a cloth. Avoid skin contact.
  - In case of skin or eye contact, follow the instructions below.



The battery fluid, a 25-30% solution of potassium hydroxide, can be harmful. In case of skin contact, immediately rinse with water. Neutralise with a mild acid such as lemon juice or vinegar. In case of eye contact, rinse abundantly with clean water for at least 10 minutes. Consult a physician.



Fire hazard! Avoid short-circuiting the contacts of a detached battery.



Do not incinerate the battery.

#### Chargers

- ◆ Use your Black & Decker charger only to charge the battery in the tool with which it was supplied. Other batteries could burst, causing personal injury and damage.
- ◆ Never attempt to charge non-rechargeable batteries.
- ◆ Have defective cords replaced immediately.
- ◆ Do not expose to water.
- ◆ Do not open the charger.





## ENGLISH

- ◆ Do not probe the charger.



The charger is intended for indoor use only.

### ELECTRICAL SAFETY

Your charger has been designed for a specific mains voltage. Always check that the mains voltage corresponds to the voltage on the rating plate.



Your charger is double insulated in accordance with EN 60335; therefore no earth wire is required.



Never attempt to replace the charger unit with a regular mains plug.

### PACKAGE CONTENTS

The pack contains:

- 1 Cordless screwdriver
- 1 Double-ended screwdriver bit
- 1 Charger
- 1 Instruction manual

- ◆ Carefully unpack all parts.
- ◆ Please note that additional items may be found in the carton, depending on the letter suffix following the catalogue number of your tool.

### OVERVIEW (fig. A)

1. On/off switch with forward/reverse function
2. Spindle lock collar (KC9036)
2. Torque adjustment collar (KC9039)
3. Bit holder
4. Handle adjustment button
5. Handle
6. Battery cover

### ASSEMBLY



Before assembly, engage the spindle lock as described below.

### Fitting and removing a screwdriver bit (fig. B)

- ◆ To fit a screwdriver bit (7), push it into the bit holder until it locates.
- ◆ To remove a screwdriver bit, pull it straight from the bit holder.

### Fitting and removing a bit tip using the bit tip holder (fig. B)

- ◆ To fit the bit tip holder (8), push it into the bit holder until it locates.
- ◆ To fit a bit tip (9), insert it into the bit tip holder (8).
- ◆ To remove a bit tip, pull it from the bit tip holder.
- ◆ To remove the bit tip holder, pull it straight from the bit holder.

### USE



Let the tool work at its own pace. Do not overload.

### Charging the battery (fig. C)

The battery needs to be charged before first use and whenever it fails to produce sufficient power on jobs that were easily done before. When charging the battery for the first time, or after prolonged storage, it will only accept an 80% charge. After several charge and discharge cycles, the battery will attain full capacity. The battery may become warm while charging; this is normal and does not indicate a problem.




Do not charge the battery at ambient temperatures below 4 °C or above 40 °C. Recommended charging temperature: approx. 24 °C.





## ENGLISH

- ◆ To charge the battery, set the tool to the straight position and insert the charger plug (10) into the connector (11).
- ◆ Plug in the charger. Switch on at the mains.
- ◆ Leave the tool connected to the charger for at least 12 hours. The tool can be left connected to the charger indefinitely. The charger may hum and become warm while charging; this is normal and does not indicate a problem.
- ◆ Before using the tool, unplug the charger and disconnect the tool from the charger.

 Do not use the tool while it is connected to the charger.



### **Adjusting the handle (fig. D)**

For optimum versatility, the handle can be set to different positions.

- ◆ Press the handle adjustment button (4).
- ◆ Swivel the handle into the desired position.
- ◆ Release the button.

### **KC9036 - Manual spindle lock (fig. E)**

The manual spindle lock allows you to use the tool as a regular screwdriver. You can give an extra twist to firmly tighten a screw or to loosen a very tight screw.

- ◆ To activate the spindle lock, turn the collar (2) to the  symbol. With the spindle lock activated, the tool cannot be switched on.
- ◆ To release the spindle lock, turn the collar (2) to the  symbol.

### **KC9039 - Setting the torque (fig. E)**

This tool is fitted with a collar to set the torque for tightening screws.

Large screws and hard workpiece materials require a higher torque setting than small screws and soft workpiece materials. The collar has a wide range of settings to suit your application.

- ◆ Turn the collar (2) to the desired setting. If you do not yet know the appropriate setting, proceed as follows:
  - Set the collar to the lowest torque setting.
  - Tighten the first screw.
  - If the clutch ratchets before the desired result is achieved, increase the collar setting and continue tightening the screw. Repeat until you reach the correct setting. Use this setting for the remaining screws.

### **Operating the tool (fig. F)**

- ◆ Make sure that the spindle lock is released.
- ◆ To tighten a screw or nut, slide the on/off switch (1) to the right and press it.
- ◆ To loosen a screw or nut, slide the on/off switch (1) to the left and press it.
- ◆ To switch the tool off, release the on/off switch.

### **Hints for optimum use**

- ◆ Always use the correct type and size of screwdriver bit.
- ◆ If screws are difficult to tighten, try applying a small amount of washing liquid or soap as a lubricant.
- ◆ Use the spindle lock to loosen very tight screws or to firmly tighten screws.
- ◆ Always hold the tool and screwdriver bit in a straight line with the screw.
- ◆ When screwing in wood, it is recommended to drill a pilot hole with a depth equal to the length of the screw.



## ENGLISH

A pilot hole guides the screw and prevents splintering or distortion of the wood. For the optimum size of the pilot hole, refer to the table below.

- ◆ When screwing in hardwood, also drill a clearance hole with a depth equal to half the length of the screw. For the optimum size of the clearance hole, refer to the table below.


Screw size	Pilot hole $\varnothing$ (softwood)
No. 6 (3.5 mm)	2 mm
No. 8 (4 mm)	3.2 mm
No. 10 (5 mm)	3.5 mm

Screw size	Pilot hole $\varnothing$ (hardwood)
No. 6 (3.5 mm)	2.5 mm
No. 8 (4 mm)	3.5 mm
No. 10 (5 mm)	4.0 mm

Screw size	Clearance hole
No. 6 (3.5 mm)	4 mm
No. 8 (4 mm)	5.0 mm
No. 10 (5 mm)	5.7 mm

### MAINTENANCE


Your Black & Decker tool has been designed to operate over a long period of time with a minimum of maintenance. Continuous satisfactory operation depends upon proper tool care and regular cleaning. Your charger does not require any maintenance apart from regular cleaning.

 Unplug the charger before cleaning it.


- ◆ Regularly clean the ventilation slots in your tool using a soft brush or dry cloth.
- ◆ Regularly clean the motor housing using a damp cloth. Do not use any abrasive or solvent-based cleaner.


### PROTECTING THE ENVIRONMENT

#### Tools

 Should you find one day that your tool needs replacement, or if it is of no further use to you, think of the protection of the environment. Black & Decker repair agents will accept old Black & Decker tools and ensure that they are disposed of in an environmentally safe way.

#### Battery (fig. G)

 If you want to dispose of the tool yourself, the battery must be removed as described below and disposed of in accordance with local regulations.

 Do not short-circuit the battery terminals. Do not use tools to remove the battery; only use your fingers.

- ◆ Hold the tool as shown in fig. G.
- ◆ Gently knock the battery cover against a hard surface such as a workbench to loosen the cover.
- ◆ Remove the cover.
- ◆ Pull the battery out and disconnect the wires to remove it from the tool.
- ◆ Place the battery in a suitable packaging to ensure that the terminals cannot be short-circuited. Take the battery to your service agent or a local recycling station. Collected batteries will be recycled or disposed of properly.





## ENGLISH

### Technical data

		KC9036	KC9039
Voltage	V <sub>DC</sub>	3.6	
No-load speed	min <sup>-1</sup>	\$	
Max. torque	Nm	3.9	
Bit holder		6.35 mm	
		hex	
Weight	kg	\$	

### Charger

Input voltage	V <sub>AC</sub>	230
Approx. charging time	h	12
Weight	kg	\$

### GUARANTEE (UK, SOUTH AFRICA, AUSTRALIA AND NEW ZEALAND ONLY)

Should your Black & Decker product become defective due to faulty materials or workmanship, within 24 months from the date of purchase, we guarantee to either replace all defective parts or -at our discretion- to replace the unit free of charge, provided that:

- ◆ The product is returned to us or one of our authorised repair agents with proof of purchase.
- ◆ The product has not been used for trade, professional or hire purposes.
- ◆ The product has not been subjected to misuse or neglect.
- ◆ The product has not sustained any damage through foreign objects, substances or accidents.
- ◆ Repairs have not been attempted by anyone other than our service staff or authorised repair agents.

This guarantee is offered as an extra benefit and does not affect your statutory rights.

### AFTER SALES SERVICE (UK, SOUTH AFRICA, AUSTRALIA AND NEW ZEALAND ONLY)

Black & Decker offers a nationwide network of authorised repair agents. The use of other than genuine Black & Decker parts and accessories may reduce the performance of the tool and cause personal injury and material damage. The terms and conditions of the warranty could also be rendered void.

### OUR AFTER SALES SERVICE POLICY (UK, AUSTRALIA AND NEW ZEALAND ONLY)

Full details on our after-sales service are available on the Internet at [www.2helpU.com](http://www.2helpU.com). Alternatively, contact our Service and Information Centre at the address towards the back of this manual.

It is our aim that all Black & Decker customers should be totally satisfied with their Black & Decker product and our after sales service. If any help or advice is needed, please contact your local Black & Decker repair agent.

If your product needs repair, please take or send it to an authorised repair agent, providing proof of purchase if claiming a guarantee repair.





<b>Australia</b>	DeWALT Industrial Power Tool Company 7 Clarice Road, Box Hill, Victoria 3128	Tel. 03 9895 9200 Fax 03 9899 7465
<b>New Zealand</b>	Black & Decker 81 Hugo Johnson Drive Penrose, Auckland, New Zealand	Tel. 09 579 7600 Fax 09 579 8200
<b>South Africa</b>	Black & Decker South Africa (Pty) Ltd Physical address: 146 Lechwe Street, Corporate park Randjiesfontein, Midrand Postal address: Postnet Suite 107, Private Bag X65 Halfway House 1685	Tel. (011) 653-1400 Fax (011) 653-1499
<b>United Kingdom</b>	Black & Decker 210 Bath Road Slough, Berkshire SL1 3YD	Tel. 01753 511234 Fax 01753 551155 Helpline 01753 574277



499078-00





**Date of purchase**

.....

Was this tool bought as a replacement?

Yes  
 No

**Dealer address**

.....

Name: .....

Address: .....

Town: .....

Postal code: .....

Was this tool a gift?  
 Yes  
 No

Was this tool your first purchase?  
 Yes  
 No

Dealer address: .....

Data protection act:  
Tick the box if you prefer not to receive further information.





## GUARANTEE CARD



Please complete this section immediately after the purchase of your tool and send it to Black & Decker in your country. If you live in Australia or New Zealand, please register by using the alternative guarantee card supplied.



499078-00